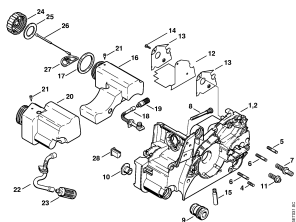


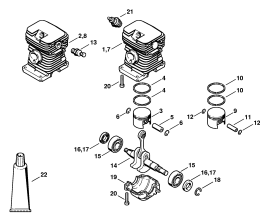
02-2018-D-GB

Table of contents

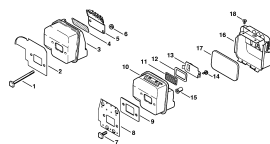
018		4
Motor housing		6
Cylinder		8
Muffler		10
Rewind starter, Ignition system		12
Hand guard, Chain brake		14
Quick chain tensioner		16
Air filter, Shroud		18
Carburetor C1Q-S57, C1Q-S57		20
Carburetor C1Q-S43 (49.2000)		22
Handle frame, Tools		24
Serial number		26



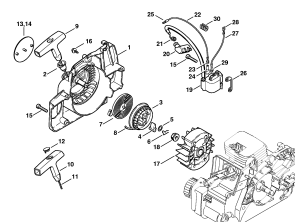
Motor housing



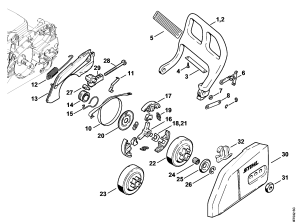
Cylinder



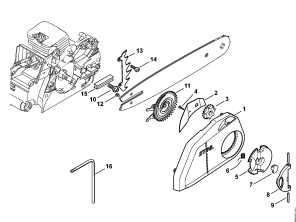
Muffler



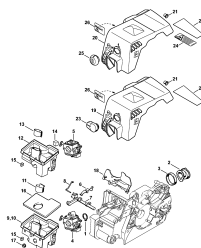
Rewind starter, Ignition system



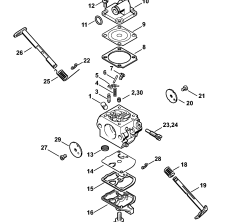
Hand guard, Chain brake



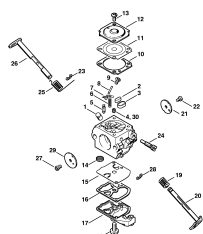
Quick chain tensioner



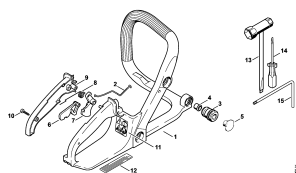
Air filter, Shroud



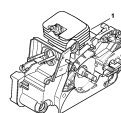
Carburetor C1Q-S57, C1Q-S57



Carburetor C1Q-S43 (49.2000)



Handle frame, Tools



Serial number

Description

Motor housing

Cylinder

Muffler

Rewind starter, Ignition system

Hand guard, Chain brake

Quick chain tensioner

Air filter, Shroud

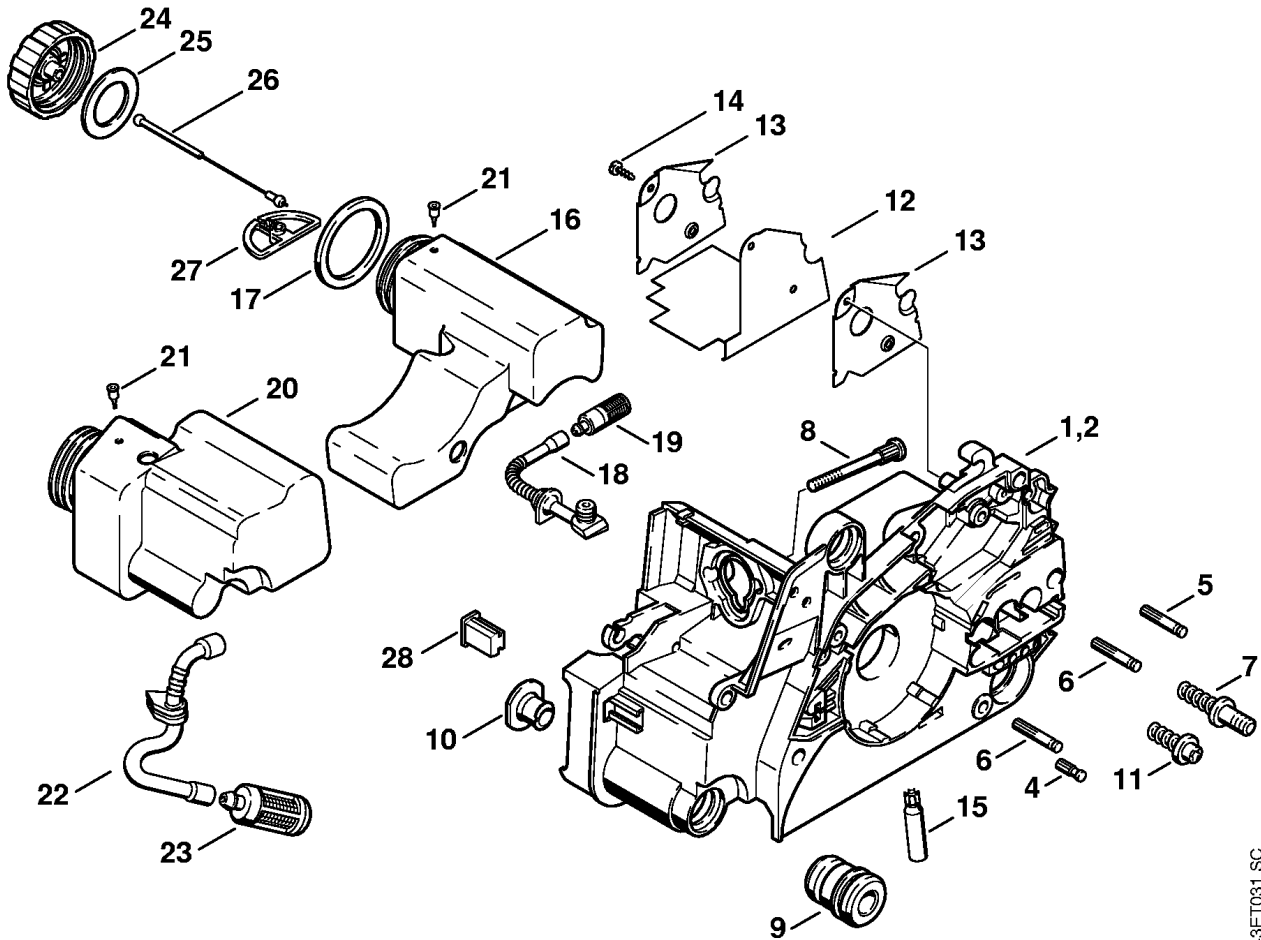
Carburetor C1Q-S57, C1Q-S57

Carburetor C1Q-S43 (49.2000)

Handle frame, Tools

Serial number

Motor housing



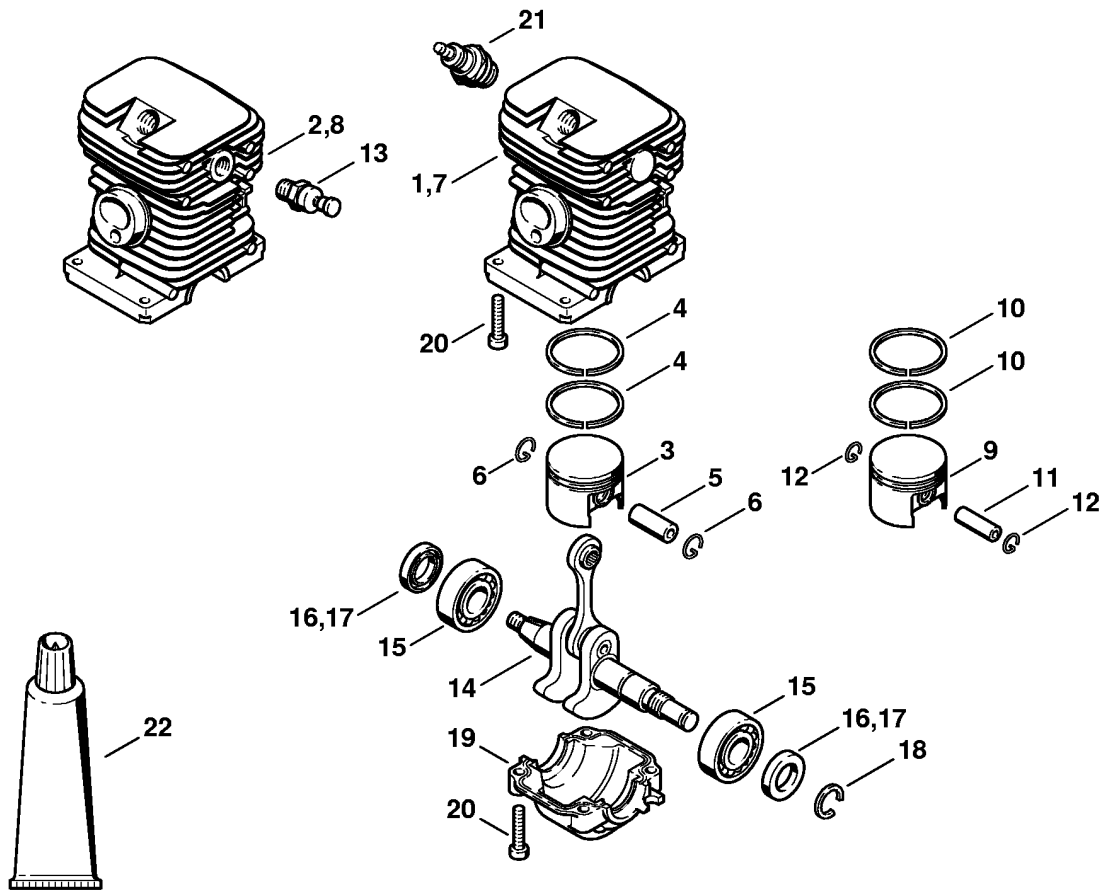
143ET031 SC

(1) 018, (2) 018 C

Motor housing

Reference	Item number	Qty	Description	Contains
1	1130 020 3033	1	Engine housing (1)	4 - 8, 12 - 15
2	1130 020 3034	1	Engine housing (2)	4 - 8, 11 - 15
4	1120 162 5200	1	Pin	
5	1123 162 5200	1	Pin	
6	1123 162 5205	2	Pin	
7	1123 664 2400	2	Collar screw (1)	
7	1123 664 2400	1	Collar screw (2)	
8	1130 122 6601	2	Collar screw	
9	1123 791 2800	2	Annular buffer	
10	1123 791 7300	2	Plug	
11	1123 664 2402	1	Collar screw (2)	
12	1130 084 8303	1	Reflector foil Cat. (2)	
13	1130 145 3400	2	Heat shield Cat. (2)	
14	9104 003 8600	2	Self-tapping screw P3x10 Cat. (2)	
15	1123 640 3200	1	Oil pump 0.55	
16	1130 350 4400	1	Oil tank	17 - 19, 21
17	0000 359 1241	1	Sealing ring	
18	1130 647 9400	1	Hose	
19	1123 640 3800	1	Pickup body	
20	1130 350 0412	1	Fuel tank	21, 22
21	0747 313 6810	2	Valve	
22	1130 358 7701	1	Hose	
23	0000 350 3500	1	Pickup body	
24	1130 350 0500	2	Filler cap	25 - 27
25	0000 359 1240	2	Sealing ring	
26	0000 350 0905	2	Rope	
27	0000 353 0605	2	Hook	
28	1130 791 5900	1	Stop buffer	

Cylinder

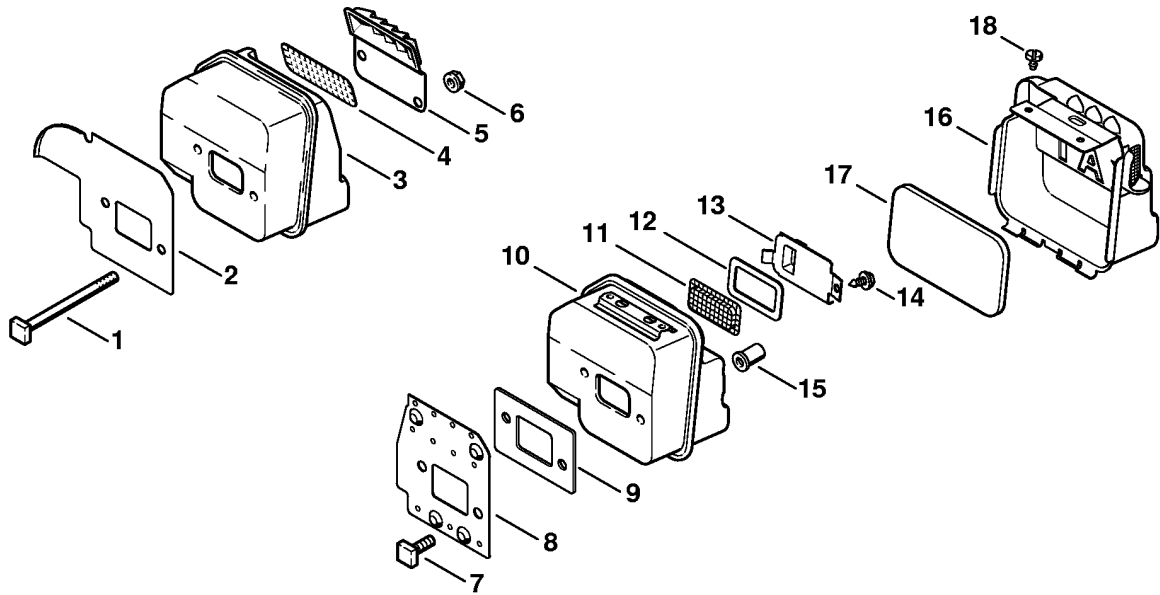


140ET010 SC

Cylinder

Reference	Item number	Qty	Description	Contains	Up to	Technical Information
1	1130 020 1208	1	Cylinder with piston Ø 38 mm (1)	3 - 6		
2	1130 020 1209	1	Cylinder with piston Ø 38 mm (2)	3 - 6		
3	1130 030 2004	1	Piston Ø 38 mm	4 - 6		
4	1130 034 3002	2	Piston ring Ø 38x1.2 mm			
5	1132 034 1501	1	Piston pin 10x6.5x25			
6	9463 650 1000	2	Snap ring 10			
7	* 1130 020 1203	1	Cylinder with piston Ø 38 mm (1)	9 - 12	246534710	6.2000
8	* 1130 020 1201	1	Cylinder with piston Ø 38 mm (2)	9 - 12	246534710	6.2000
9	* 1130 030 2003	1	Piston Ø 38 mm	10 - 12	246534710	6.2000
10	* 1130 034 3002	2	Piston ring Ø 38x1.2 mm		246534710	6.2000
11	* 1130 034 1500	1	Piston pin 8x4x25		246534710	6.2000
12	* 9463 650 0807	2	Snap ring 8x0.7		246534710	6.2000
13	1123 020 9400	1	Decompression valve (2)			
14	1132 030 0402	1	Crankshaft			25.2005
15	9503 003 0311	2	Grooved ball bearing 6002			
16	9638 003 1581	2	Oil seal 15x25x5			24.1996
17	9639 003 1585	2	Oil seal 15x25x5			24.1996
18	9468 621 1520	1	Circlip 15x1			
19	1130 021 2504	1	Engine pan			
20	9075 478 4159	8	Pan head self-tapping screw IS-D5x24			
21	1110 400 7005	1	Spark plug Bosch WSR 6 F			
22	0783 830 2000	1	Tube of sealant HT red			

(1) 018, (2) 018 C

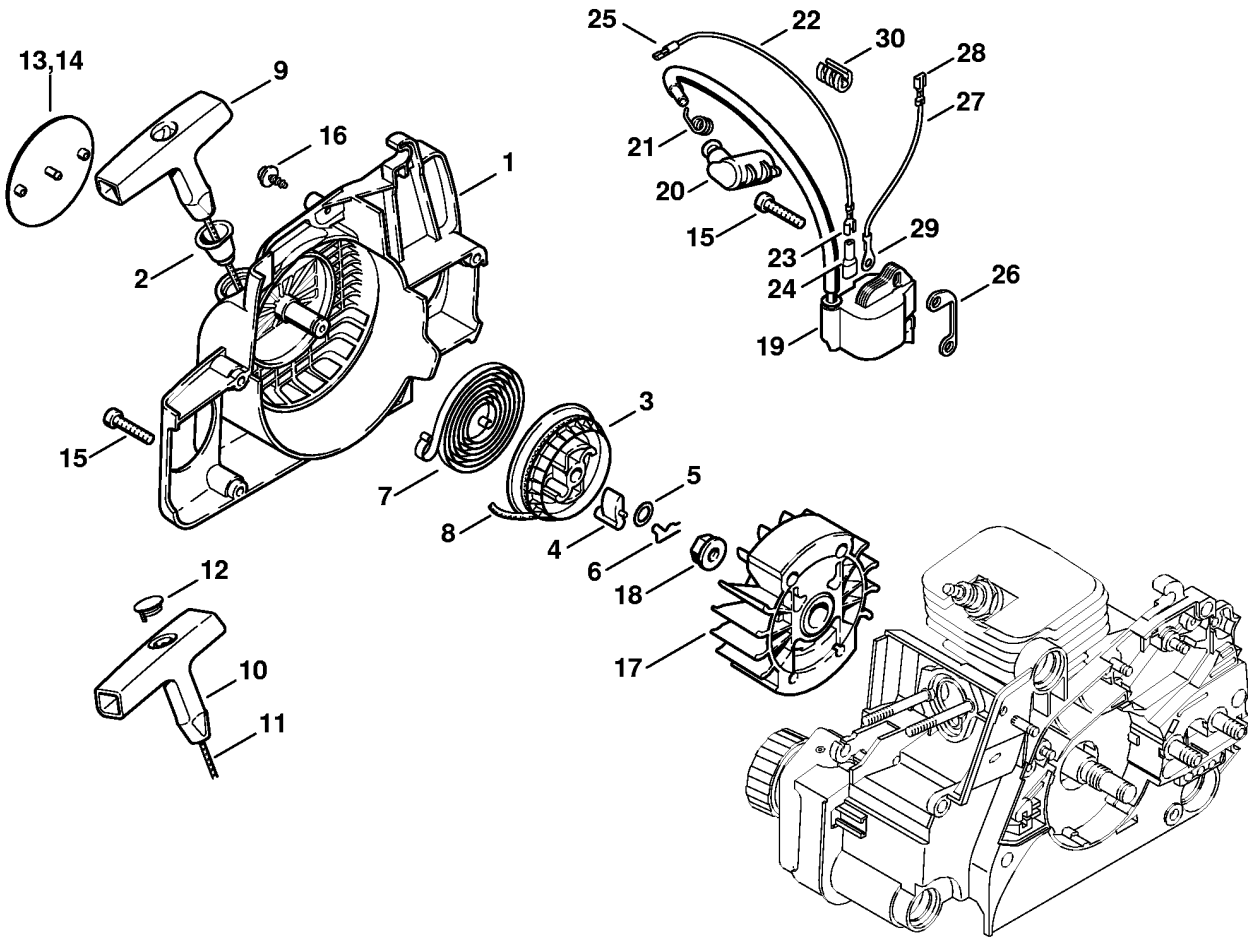


14DET011 SC

Muffler

Reference	Item number	Qty	Description	Contains
1	1123 148 1201	2	Screw M5x65	
2	1130 141 3200	1	Cooling plate	
3	1130 140 0600	1	Muffler	
4	1130 141 9000	1	Screen USA, AUS, CDN	
5	1130 145 2900	1	Muffler cover	
6	9216 261 0700	2	Hexagon nut M5	
7	0000 148 1200	2	Screw M5x15 Cat. (2)	
8	1130 141 3201	1	Cooling plate Cat. (2)	
9	1130 149 0601	1	Muffler gasket Cat. (2)	
10	1130 140 0604	1	Muffler Cat. (2)	11 - 14, 16, 17
11	1130 141 9001	1	Screen Cat. (2)	
12	1130 149 0600	1	Muffler gasket Cat. (2)	
13	1130 146 7400	1	Deflecting plate Cat. (2)	
14	9099 021 0805	1	Self-tapping screw 4.2x6.5 Cat. (2)	
15	0000 148 2000	2	Nut Cat. (2)	
16	1130 140 0500	1	Protecting shell Cat. (2)	17
17	1130 146 9000	1	Insulating pad Cat. (2)	
18	9099 021 0805	2	Self-tapping screw 4.2x6.5 Cat. (2)	

Rewind starter, Ignition system



140ET023 SC

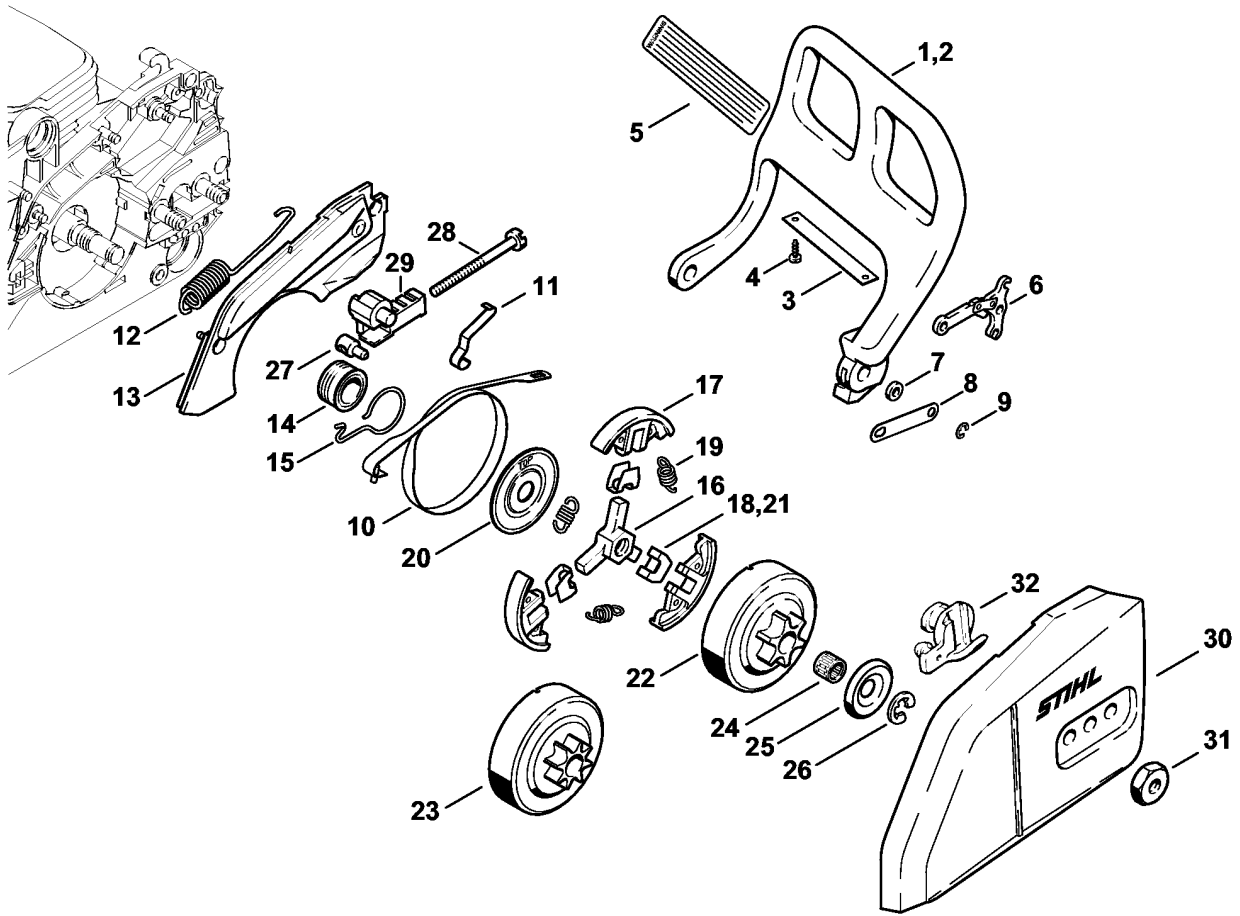
(1) 018, (2) 018 C

Rewind starter, Ignition system

Reference	Item number	Qty	Description	Contains	Technical Information
	1130 080 2100	1	Fan housing with rewind starter (1)	1 - 9, 13, 14	
	1130 080 2105	1	Fan housing with rewind starter (2)	1 - 7, 10 - 14	
1	1130 080 1800	1	Fan housing	2, 13, 14	
2	1110 084 9102	1	Bushing		
3	1123 195 0400	1	Rope rotor		
4	1125 195 7200	1	Pawl		
5	0000 958 0923	1	Washer		
6	1118 195 3500	1	Spring		
7	1129 190 0601	1	Rewind spring		
8	0000 195 8200	1	Starter rope Ø 3x800 mm (1)		
9	1121 195 3400	1	Starter grip (1)		
10	0000 190 3402	1	Starter grip ElastoStart Ø 3 mm (2)	11, 12	
11	0000 195 8200	1	Starter rope Ø 3x800 mm (2)		
12	0000 195 7001	1	Cap (2)		
13	1130 967 1501	1	Model plate 018		
14	1130 967 1502	1	Model plate 018 C		
15	9075 478 4155	5	Pan head self-tapping screw IS-D5x24		
16	9104 003 8733	1	Self-tapping screw P4x16		
17	1130 400 1201	1	Flywheel		25.2005
18	0000 955 0802	1	Collar nut M8x1		
19	1130 400 1302	1	Ignition module	20, 21	
20	1128 405 1000	1	Spark plug boot		
21	0000 998 0604	1	Spark plug contact spring		
22	1130 440 1101	1	Short circuit wire	23 - 25	
23		1	Terminal socket 4.8-1 (D)		
24	0751 030 8467	1	Grommet (C)		
25	0751 030 8490	1	Terminal socket 3.5 (C)		
26	1130 405 8000	1	Insulator		
27	1130 440 2201	1	Ground wire 125 mm / 4 15/16"	28, 29	
28	0751 030 8953	1	Terminal socket 4.8-1 (C)		
29	0751 030 8969	1	Terminal socket A5-1.5 (C)		
30	1130 448 1201	1	Lead retainer		

(1) 018, (2) 018 C

Hand guard, Chain brake



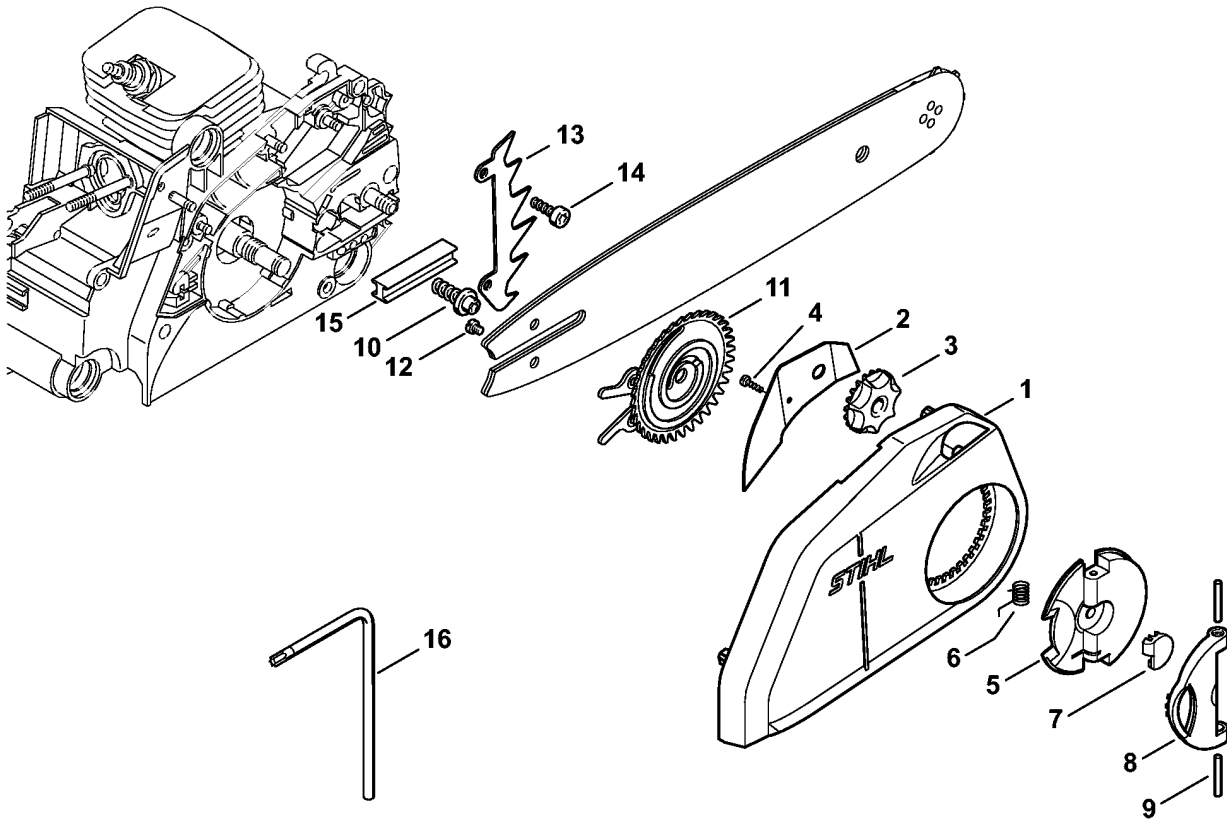
140ET032 SC

(1) 018, (2) 018 C

Hand guard, Chain brake

Reference	Item number	Qty	Description	Contains	Technical Information
1	1130 792 9100	1	Hand guard		
2	1130 790 9100	1	Hand guard Cat. (2)	3, 4	
3	1130 145 0600	1	Heat shield Cat. (2)		
4	9104 003 8600	2	Self-tapping screw P3x10 Cat. (2)		
5	0000 967 3912	1	Instruction label USA		
6	1128 160 5000	1	Lever		
7	0000 958 0521	1	Washer		
8	1123 162 5800	1	Strap		
9	9460 624 0400	1	E-clip 4		
10	1123 160 5400	1	Brake band		
11	1123 162 7800	1	Flat spring		
12	1123 162 7900	1	Tension spring		
13	1130 021 1100	1	Cover		
14	1123 640 7105	1	Worm	15	
15	1123 647 2400	1	Spring		
16	1123 160 2050	1	Clutch	17 - 20	
17	1129 162 0800	3	Clutch shoe		
18	1127 162 3000	3	Retainer		
19	0000 997 5515	3	Tension spring		
20	1121 162 1001	1	Cover washer		
21	* 1121 162 3000	3	Retainer		35.2000
22	1123 640 2003	1	Chain sprocket 3/8" Picco 6T		
23	1123 640 2007	1	Chain sprocket 1/4" 8T (B)		
24	9512 933 2260	1	Needle cage 10x13x10		
25	0000 958 1022	1	Washer Ø 27 mm		
26	9460 624 0801	1	E-clip 8x1.3		
27	1120 664 1500	1	Tensioning nut		
28	1123 664 1605	1	Adjusting screw		
29	1123 664 2205	1	Cover		
30	1123 640 1705	1	Chain sprocket cover		
31	0000 955 0801	2	Hexagon nut M8		
32	1123 656 7700	1	Chain catcher (B)		

Quick chain tensioner



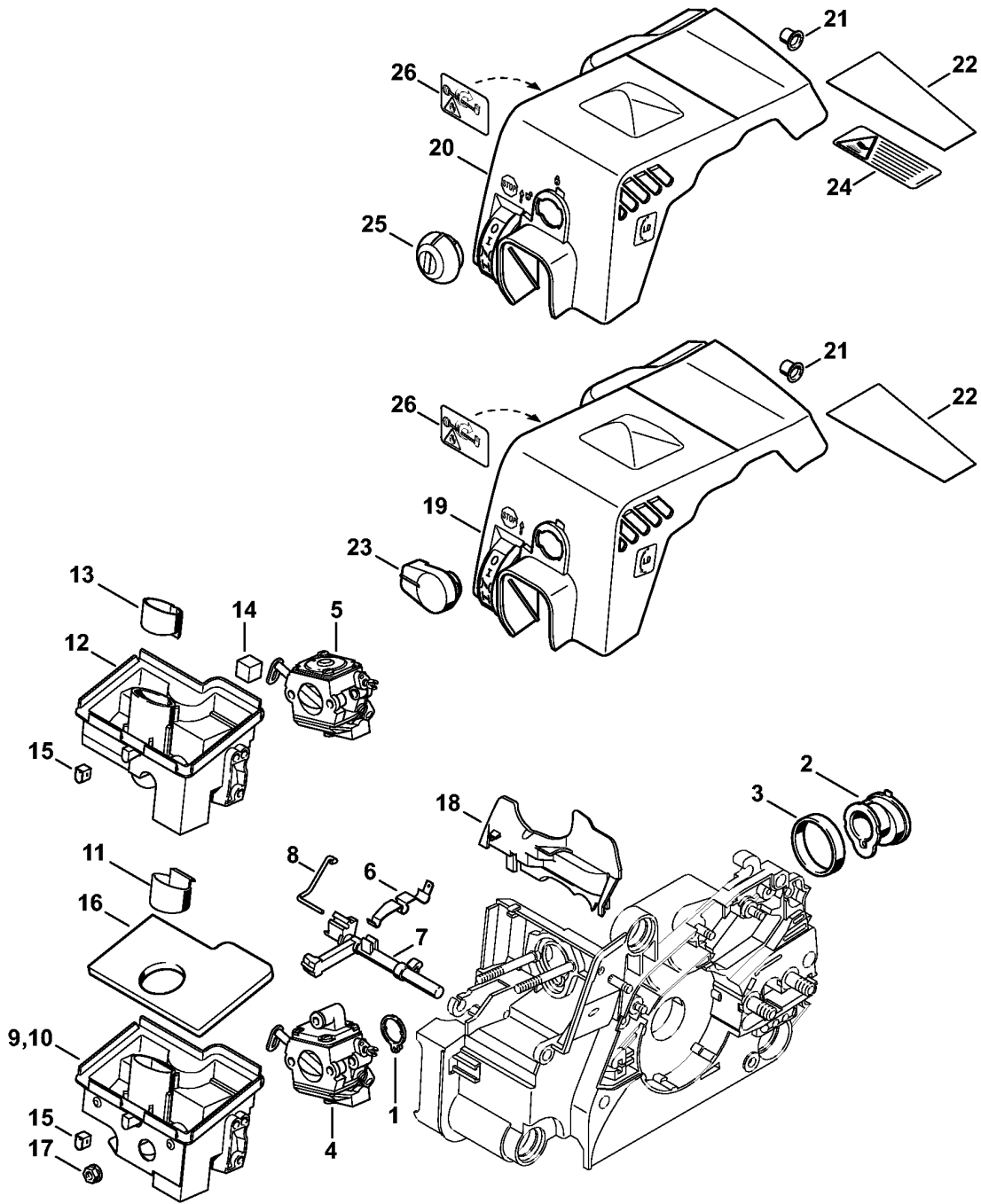
143ET053 SC

(1) 018, (2) 018 C

Quick chain tensioner

Reference	Item number	Qty	Description	Contains
	1123 007 1008	1	Quick tensioner parts (B)	1 - 15
1	1123 640 1700	1	Chain sprocket cover	2 - 4
2	1123 648 3800	1	Cover plate	
3	1123 648 2202	1	Adjusting wheel	
4	9104 003 8600	1	Self-tapping screw P3x10	
5	1121 660 1000	1	Wing nut	6 - 9
6		1	Torsion spring (D)	
7		1	Cap (D)	
8		1	Handle (D)	
9		2	Cylindrical pin 3m6x26 (D)	
10	1123 664 2402	1	Collar screw	
11	1123 660 3001	1	Tensioning gear	12
12	9041 319 0600	1	Pan head screw M4x5	
13	1123 664 0501	1	Bumper spike	
14	9075 478 4115	2	Pan head self-tapping screw IS-D5x16	
15	1123 021 2800	1	Insert	
16	0812 370 1000	1	Screwdriver T27x120x70 (B)	

Air filter, Shroud



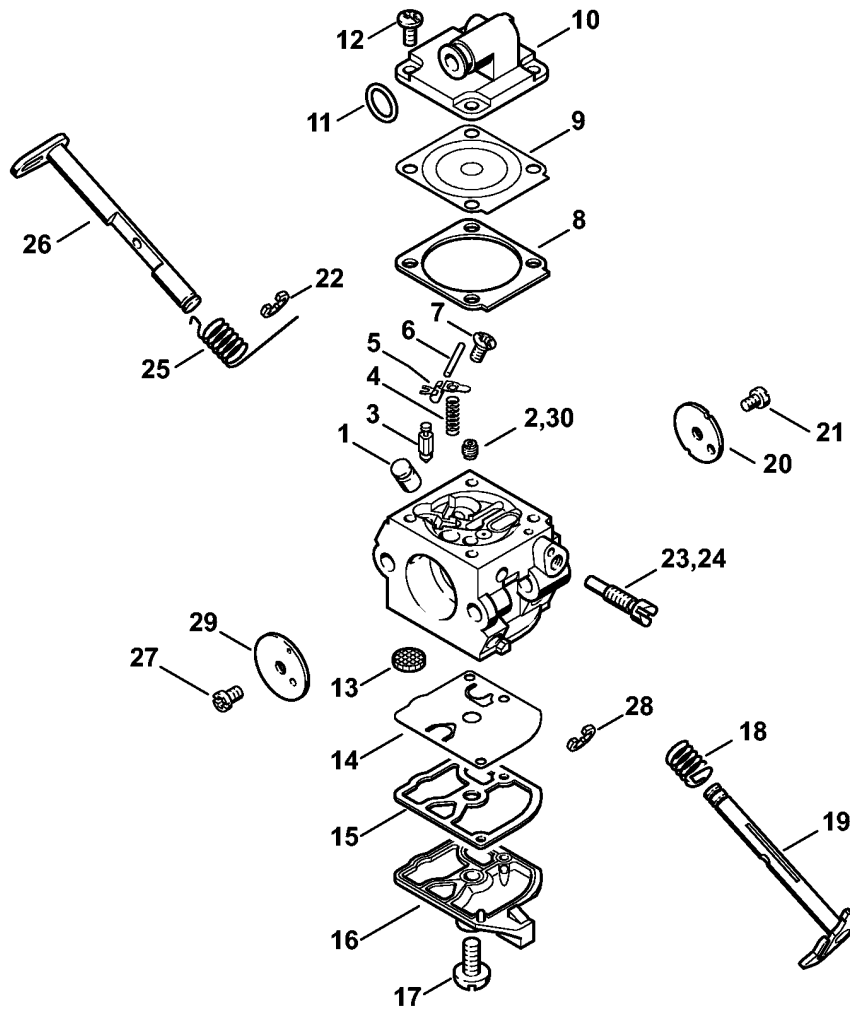
14JET031 SC

(1) 018, (2) 018 C

Air filter, Shroud

Reference	Item number	Qty	Description	Contains	Technical Information
1	1130 141 1800	1	Sleeve		
2	1130 141 2200	1	Manifold		
3	1130 022 2000	1	Ring		
4	1130 120 0603	1	Carburetor C1Q-S57G		
5	* 1130 120 0601	1	Carburetor C1Q-S43C		56.2014 49.2000
6	1130 442 1602	1	Contact spring		
7	1130 182 0900	1	Switch shaft		
8	1130 185 2000	1	Choke rod		
9	1130 140 2803	1	Filter housing	11, 15, 16	
10	1130 140 2804	1	Filter housing Cat. (2)	11, 15, 16	
11	1130 141 1101	1	Insert		
12	* 1130 140 2800	1	Filter housing	14, 15	49.2000
13	* 1130 141 1100	1	Insert		49.2000
14	* 1130 141 4300	1	Packing		56.2014 49.2000
15	1130 124 7100	1	Sleeve		
16	1130 124 0800	1	Filter plate		
17	9216 261 0700	2	Hexagon nut M5		
18	1130 124 3200	1	Baffle plate		
19	1130 140 4709	1	Shroud	21 - 23	
20	1130 140 4707	1	Shroud Cat. (2)	21, 22, 24, 25	
21	1130 141 1801	1	Sleeve		
22	1130 084 8300	1	Reflector foil		
23	1130 141 2300	1	Twist lock		
24	0000 967 3748	1	Instruction label Cat. (2)		
25	1130 141 2306	1	Twist lock Cat. (2)		
26	0000 967 3692	1	Warning pictogram Filler cap USA, CDN		

Carburetor C1Q-S57, C1Q-S57



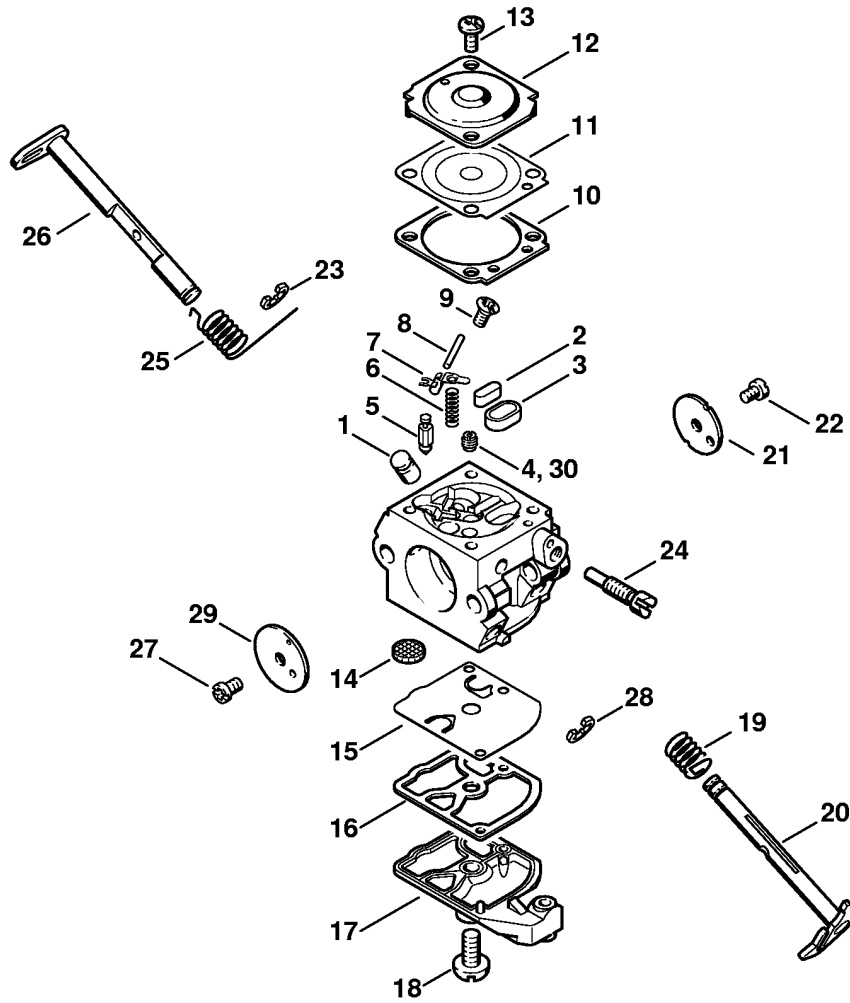
2107ET1012 SC

(1) 018, (2) 018 C

Carburetor C1Q-S57, C1Q-S57

Reference	Item number	Qty	Description	Contains	Technical Information
	1130 120 0603	1	Carburetor C1Q-S57G	1 - 23, 25 - 29	
	*	1	Carburetor C1Q-S57A (C)	1 - 22, 24 - 29	31.2009
1	1130 121 5401	1	Valve jet		
2	1130 121 5604	1	Fixed jet 0.45		
3	4116 121 5100	1	Inlet needle		
4	1130 122 3001	1	Spring		
5	1125 121 5000	1	Inlet control lever		
6	1120 121 9200	1	Spindle		
7	1120 122 6600	1	Collar screw		
8	1130 129 0901	1	Gasket		
9	1130 121 4700	1	Metering diaphragm		
10	1130 121 0800	1	End cover		
11	9646 945 0490	1	O-ring 7x1.5		
12	1120 122 6601	4	Collar screw		
13	1123 121 7800	1	Strainer		
14	1130 121 4800	1	Pump diaphragm		
15	1130 129 0900	1	Gasket		
16	1130 121 0801	1	End cover		
17	1120 122 7800	1	Oval head screw		
18	1123 122 3000	1	Spring		
19	1130 120 7101	1	Throttle shaft with lever		
20	1130 121 3302	1	Throttle shutter		
21	1120 122 7400	1	Round head screw		
22	1125 122 9001	1	E-clip		
23	1130 122 6301	1	Idle speed screw		
24	* 1130 122 6300	1	Idle speed screw		31.2009
25	1123 122 3203	1	Torsion spring		
26	1123 120 7200	1	Choke shaft with lever		
27	1125 122 7403	1	Round head screw		
28	1125 122 9002	1	E-clip		
29	1132 121 2901	1	Choke shutter		
30	4137 121 5601	1	Fixed jet 0.42 (B) High altitude		
	1130 007 1061	1	Set of carburetor parts	8, 9, 14, 15	

Carburetor C1Q-S43 (49.2000)

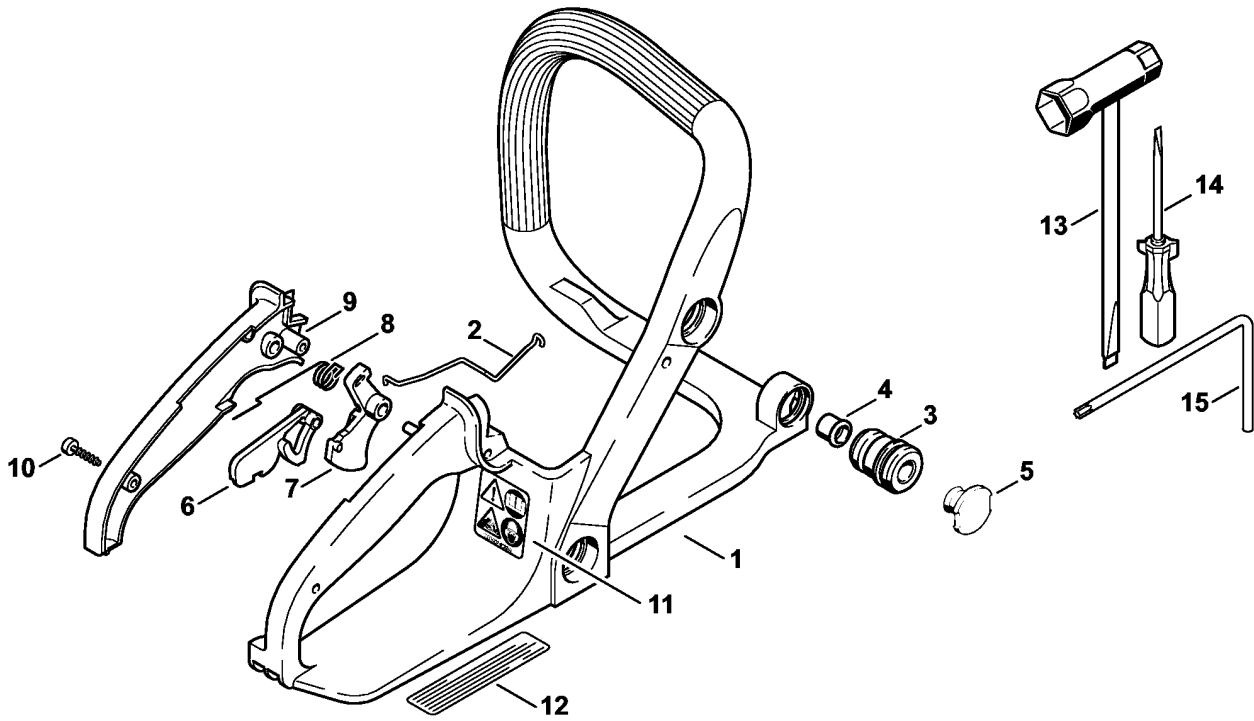


140ET007 SC

(1) 018, (2) 018 C

Carburetor C1Q-S43 (49.2000)

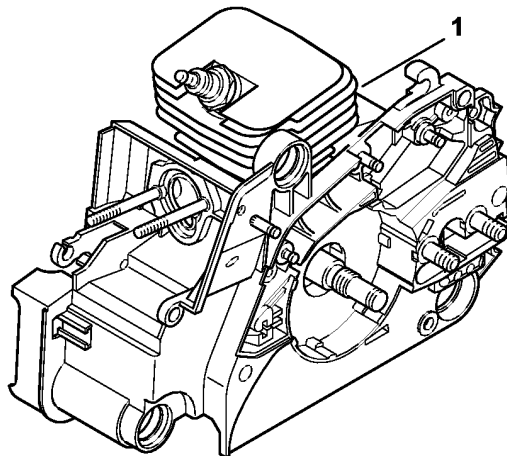
Reference	Item number	Qty	Description	Contains	Technical Information
	* 1130 120 0601	1	Carburetor C1Q-S43C	1 - 29	56.2014 49.2000
1	* 1130 121 5401	1	Valve jet		49.2000
2	* 4226 121 0700	1	Cup plug		49.2000
3	* 4129 121 0700	1	Cup plug		49.2000
4	* 1130 121 5604	1	Fixed jet 0.45		49.2000
5	* 4116 121 5100	1	Inlet needle		49.2000
6	* 1130 122 3001	1	Spring		49.2000
7	* 1125 121 5000	1	Inlet control lever		49.2000
8	* 1120 121 9200	1	Spindle		49.2000
9	* 1120 122 6600	1	Collar screw		49.2000
10	* 1130 129 0901	1	Gasket		49.2000
11	* 1130 121 4700	1	Metering diaphragm		49.2000
12	* 1129 121 0800	1	End cover		49.2000
13	* 4132 122 6600	2	Collar screw		49.2000
14	* 1123 121 7800	1	Strainer		49.2000
15	* 1130 121 4800	1	Pump diaphragm		49.2000
16	* 1130 129 0900	1	Gasket		49.2000
17	* 4128 121 0800	1	End cover		49.2000
18	* 1120 122 7800	1	Oval head screw		49.2000
19	* 1123 122 3000	1	Spring		49.2000
20	* 1120 120 7101	1	Throttle shaft with lever		49.2000
21	* 1130 121 3302	1	Throttle shutter		49.2000
22	* 1120 122 7400	1	Round head screw		49.2000
23	* 1125 122 9001	1	E-clip		49.2000
24	* 1130 122 6300	1	Idle speed screw		49.2000
25	* 1123 122 3200	1	Torsion spring		49.2000
26	* 1123 120 7200	1	Choke shaft with lever		49.2000
27	* 1125 122 7403	1	Round head screw		49.2000
28	* 1125 122 9002	1	E-clip		49.2000
29	* 1123 121 2901	1	Choke shutter		49.2000
30	* 4137 121 5601	1	Fixed jet 0.42 High altitude		49.2000
	* 1130 007 1061	1	Set of carburetor parts	10, 11, 15, 16	



1130-GET-0008-A1

Handle frame, Tools

Reference	Item number	Qty	Description
1	1130 791 4901	1	Handle frame
2	1130 182 1502	1	Throttle rod
3	1123 791 2800	1	Annular buffer
4	1123 791 7305	1	Plug
5	1123 791 7300	1	Plug
6	1130 182 0800	1	Lockout lever
7	1130 182 1000	1	Throttle trigger
8	1117 182 4500	1	Torsion spring
9	1130 791 0601	1	Handle molding
10	9074 478 3075	2	Pan head self-tapping screw IS-P4x19
11	0000 967 7250	1	Warning pictogram MS
12	0000 967 3579	1	Instruction label USA
13	1129 890 3401	1	Combination wrench
14	0000 890 2300	1	Screwdriver
15	0812 370 1000	1	Screwdriver T27x120x70 (B)



206ET036 SC

Serial number

Reference	Qty	Description
1	1	Position of serial number
