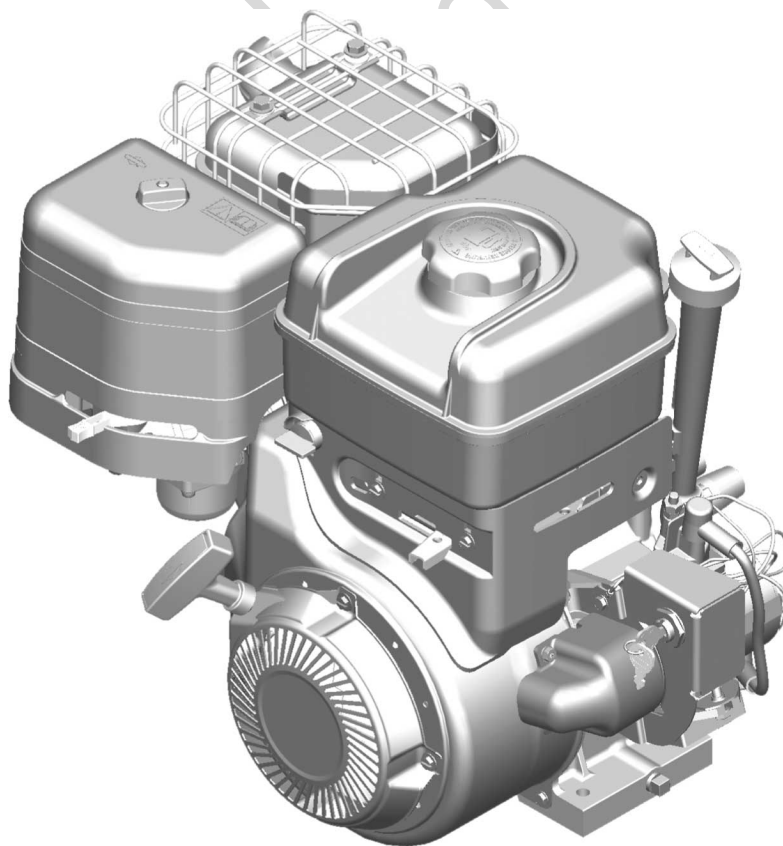
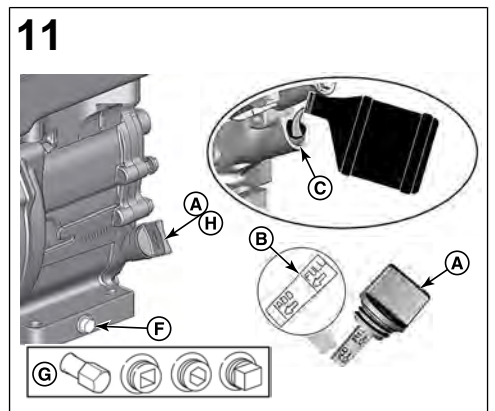
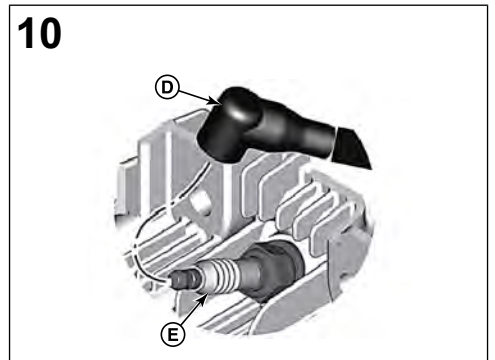
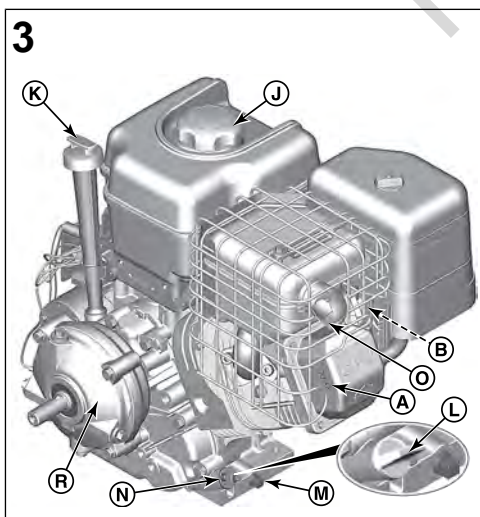
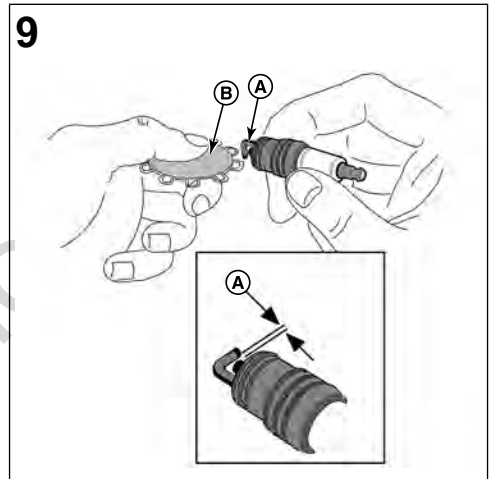
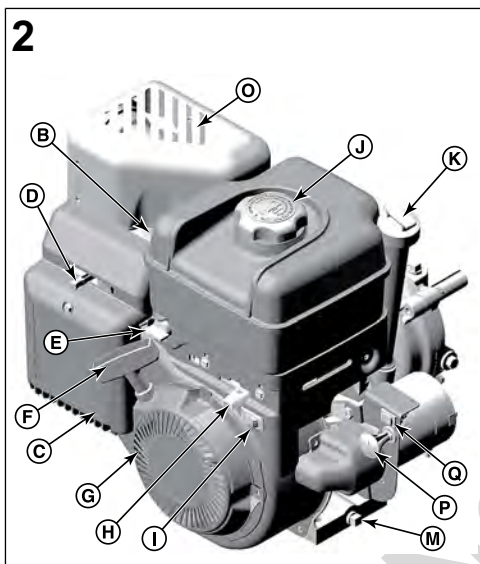
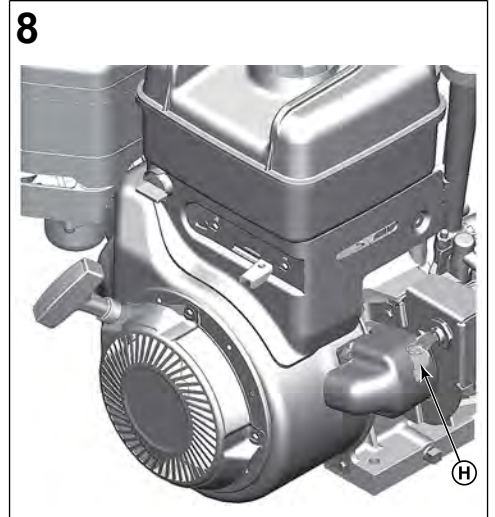
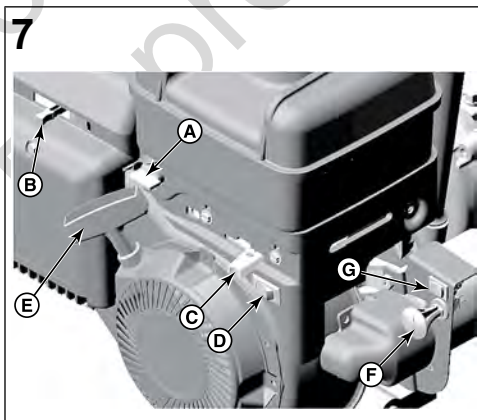
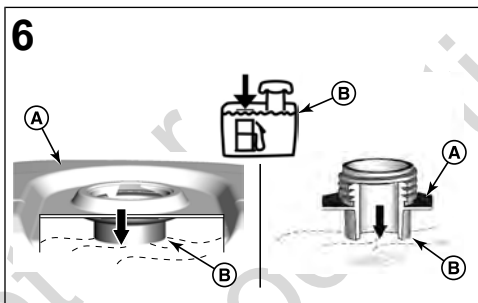
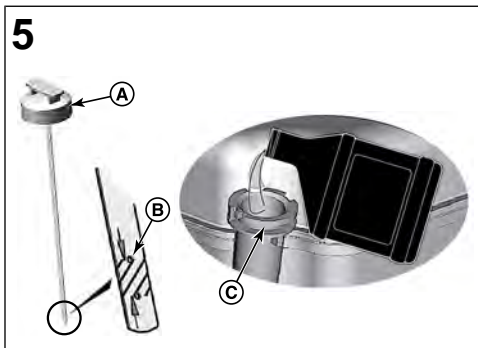
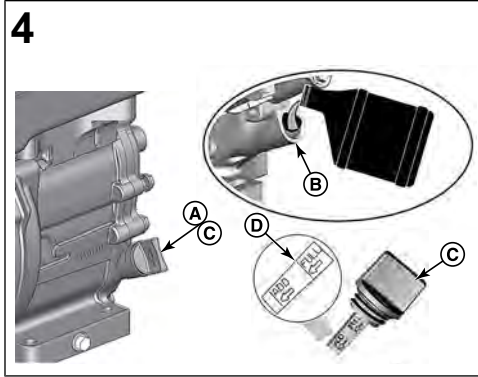
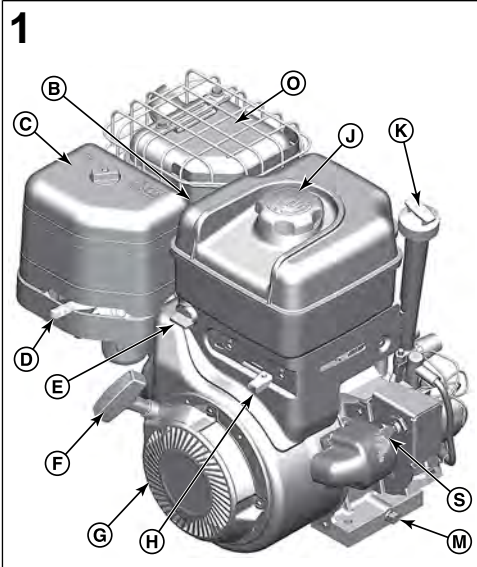


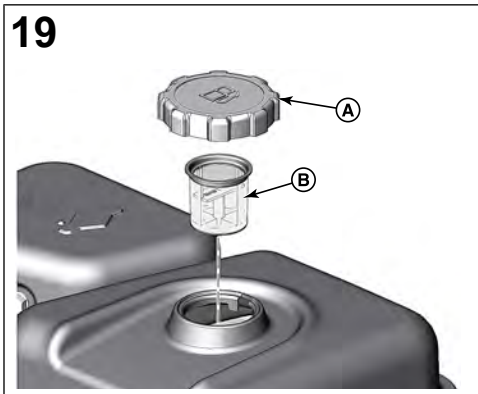
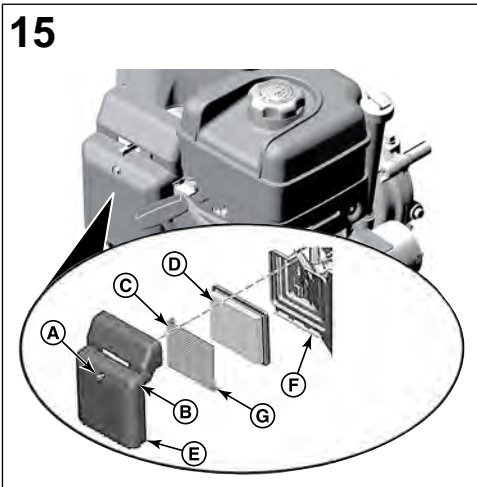
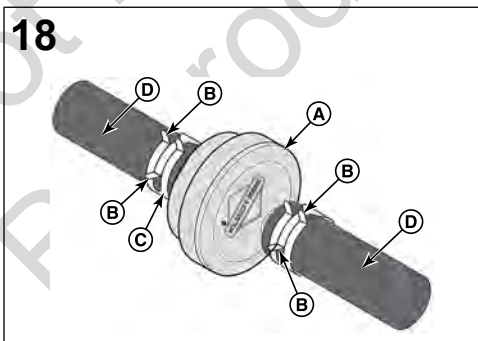
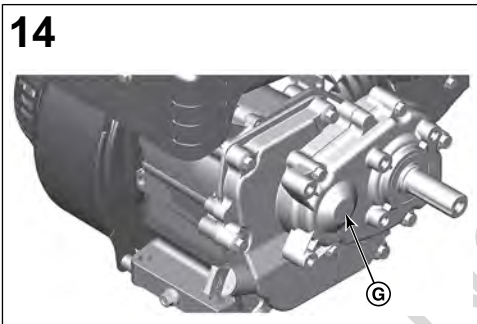
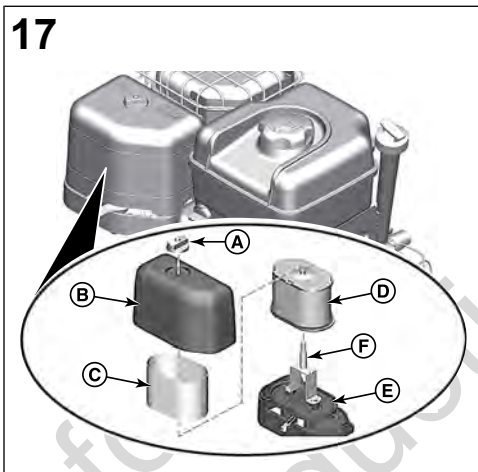
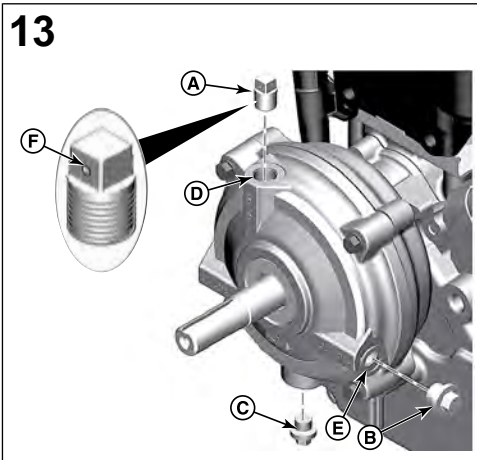
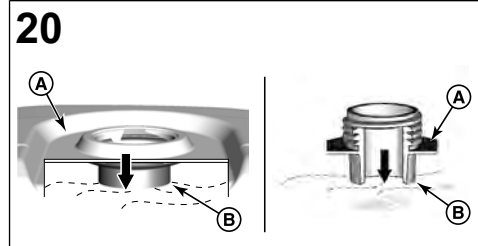
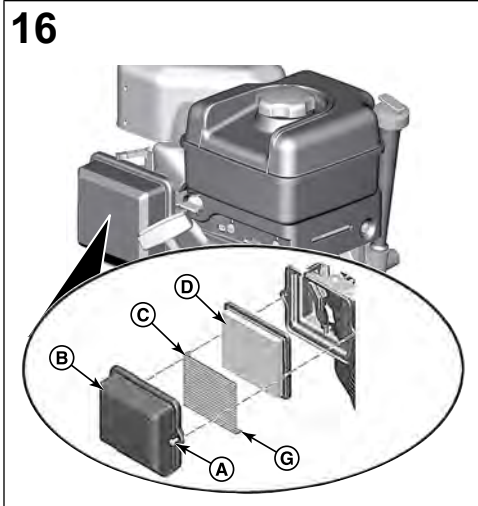
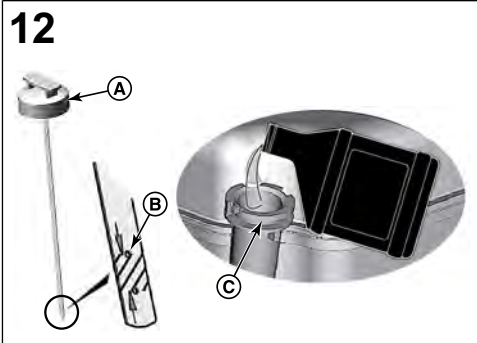


- en *Operator's Manual*
- es *Manual del Operario*
- fr *Manuel d'utilisation*

Models: 120000
150000
200000
210000







This manual contains safety information to make you aware of the hazards and risks associated with engines and how to avoid them. It also contains instructions for the proper use and care of the engine. Because Briggs & Stratton Corporation does not necessarily know what equipment this engine will power, it is important that you read and understand these instructions and the instructions for the equipment. **Save these original instructions for future reference.**

Note: The figures and illustrations in this manual are provided for reference only and may differ from your specific model. Contact your dealer if you have questions.

For replacement parts or technical assistance, record below the engine model, type, and code numbers along with the date of purchase. These numbers are located on your engine (see the **Features and Controls** section).

Date of Purchase	
Engine Model - Type - Trim	
Engine Serial Number	

Look for the 2D barcode located on some engines. When viewed with a 2D-capable device, the code will bring up our website where you can access support information for this product. Data rates apply. Some countries may not have online support information available.



Operator Safety

Safety Alert Symbol and Signal Words

The safety alert symbol is used to identify safety information about hazards that can result in personal injury. A signal word (DANGER, WARNING, or CAUTION) is used with the alert symbol to indicate the likelihood and the potential severity of injury. In addition, a hazard symbol may be used to represent the type of hazard.

DANGER indicates a hazard which, if not avoided, **will result in death or serious injury.**

WARNING indicates a hazard which, if not avoided, **could result in death or serious injury.**

CAUTION indicates a hazard which, if not avoided, **could result in minor or moderate injury.**

NOTICE indicates an situation that **could result in damage to the product.**

Hazard Symbols and Meanings

Symbol	Meaning	Symbol	Meaning
	Safety information about hazards that can result in personal injury.		Read and understand the Operator's Manual before operating or servicing the unit.
	Fire hazard		Explosion hazard
	Shock hazard		Toxic fume hazard
	Hot surface hazard		Noise hazard - Ear protection recommended for extended use.

Symbol	Meaning	Symbol	Meaning
	Thrown object hazard - Wear eye protection.		Explosion hazard
	Frostbite hazard		Kickback hazard
	Amputation hazard - moving parts		Chemical Hazard
	Thermal heat hazard		Corrosive

Safety Messages



WARNING

Certain components in this product and its related accessories contain chemicals known to the State of California to cause cancer, birth defects, or other reproductive harm. Wash hands after handling.



WARNING

The engine exhaust from this product contains chemicals known to the State of California to cause cancer, birth defects, or other reproductive harm.



WARNING

Briggs & Stratton Engines are not designed for and are not to be used to power: fun-karts; go-karts; children's, recreational, or sport all-terrain vehicles (ATVs); motorbikes; hovercraft; aircraft products; or vehicles used in competitive events not sanctioned by Briggs & Stratton. For information about competitive racing products, see www.briggsracing.com. For use with utility and side-by-side ATVs, please contact Briggs & Stratton Engine Application Center, 1-866-927-3349. Improper engine application may result in serious injury or death.



WARNING



Fuel and its vapors are extremely flammable and explosive.

Fire or explosion can cause severe burns or death.

When Adding Fuel

- Turn engine off and let engine cool at least 2 minutes before removing the fuel cap.
- Fill fuel tank outdoors or in well-ventilated area.
- Do not overfill fuel tank. To allow for expansion of the fuel, do not fill above the bottom of the fuel tank neck.
- Keep fuel away from sparks, open flames, pilot lights, heat, and other ignition sources.
- Check fuel lines, tank, cap, and fittings frequently for cracks or leaks. Replace if necessary.
- If fuel spills, wait until it evaporates before starting engine.

When Starting Engine

- Ensure that spark plug, muffler, fuel cap and air cleaner (if equipped) are in place and secured.
- Do not crank engine with spark plug removed.
- If engine floods, set choke (if equipped) to OPEN / RUN position, move throttle (if equipped) to FAST position and crank until engine starts.

When Operating Equipment

- Do not tip engine or equipment at angle which causes fuel to spill.

- Do not choke the carburetor to stop engine.
- Never start or run the engine with the air cleaner assembly (if equipped) or the air filter (if equipped) removed.

When Changing Oil

- If you drain the oil from the top oil fill tube, the fuel tank must be empty or fuel can leak out and result in a fire or explosion.

When Tipping Unit for Maintenance

- When performing maintenance that requires the unit to be tipped, the fuel tank, if mounted on the engine, must be empty or fuel can leak out and result in a fire or explosion.

When Transporting Equipment

- Transport with fuel tank EMPTY or with fuel shut-off valve in the CLOSED position.

When Storing Fuel Or Equipment With Fuel In Tank

- Store away from furnaces, stoves, water heaters or other appliances that have pilot lights or other ignition sources because they can ignite fuel vapors.



Starting engine creates sparking.

Sparking can ignite nearby flammable gases.

Explosion and fire could result.

- If there is natural or LP gas leakage in area, do not start engine.
- Do not use pressurized starting fluids because vapors are flammable.



POISONOUS GAS HAZARD. Engine exhaust contains carbon monoxide, a poisonous gas that could kill you in minutes. You CANNOT see it, smell it, or taste it. Even if you do not smell exhaust fumes, you could still be exposed to carbon monoxide gas. If you start to feel sick, dizzy, or weak while using this product, get to fresh air RIGHT AWAY. See a doctor. You may have carbon monoxide poisoning.

- Operate this product ONLY outside far away from windows, doors and vents to reduce the risk of carbon monoxide gas from accumulating and potentially being drawn towards occupied spaces.
- Install battery-operated carbon monoxide alarms or plug-in carbon monoxide alarms with battery back-up according to the manufacturer's instructions. Smoke alarms cannot detect carbon monoxide gas.
- DO NOT run this product inside homes, garages, basements, crawlspaces, sheds, or other partially-enclosed spaces even if using fans or opening doors and windows for ventilation. Carbon monoxide can quickly build up in these spaces and can linger for hours, even after this product has shut off.
- ALWAYS place this product downwind and point the engine exhaust away from occupied spaces.



Rapid retraction of starter cord (kickback) will pull hand and arm toward engine faster than you can let go.

Broken bones, fractures, bruises or sprains could result.

- When starting engine, pull the starter cord slowly until resistance is felt and then pull rapidly to avoid kickback.
- Remove all external equipment / engine loads before starting engine.
- Direct-coupled equipment components such as, but not limited to, blades, impellers, pulleys, sprockets, etc., must be securely attached.



Rotating parts can contact or entangle hands, feet, hair, clothing, or accessories.

Traumatic amputation or severe laceration can result.

- Operate equipment with guards in place.

- Keep hands and feet away from rotating parts.
- Tie up long hair and remove jewelry.
- Do not wear loose-fitting clothing, dangling drawstrings or items that could become caught.



Running engines produce heat. Engine parts, especially muffler, become extremely hot.

Severe thermal burns can occur on contact.

Combustible debris, such as leaves, grass, brush, etc. can catch fire.

- Allow muffler, engine cylinder and fins to cool before touching.
- Remove accumulated debris from muffler area and cylinder area.
- It is a violation of California Public Resource Code, Section 4442, to use or operate the engine on any forest-covered, brush-covered, or grass-covered land unless the exhaust system is equipped with a spark arrester, as defined in Section 4442, maintained in effective working order. Other states or federal jurisdictions may have similar laws. Contact the original equipment manufacturer, retailer, or dealer to obtain a spark arrester designed for the exhaust system installed on this engine.



Unintentional sparking can result in fire or electric shock.

Unintentional start-up can result in entanglement, traumatic amputation, or laceration.

Fire hazard

Before performing adjustments or repairs:

- Disconnect the spark plug wire and keep it away from the spark plug.
- Disconnect battery at negative terminal (only engines with electric start.)
- Use only correct tools.
- Do not tamper with governor spring, links or other parts to increase engine speed.
- Replacement parts must be of the same design and installed in the same position as the original parts. Other parts may not perform as well, may damage the unit, and may result in injury.
- Do not strike the flywheel with a hammer or hard object because the flywheel may later shatter during operation.

When testing for spark:

- Use approved spark plug tester.
- Do not check for spark with spark plug removed.

Features and Controls

Engine Controls

Compare the illustration (Figure: 1, 2, 3) with your engine to familiarize yourself with the location of various features and controls.

- Engine Identification Numbers **Model - Type - Code**
- Spark Plug
- Air Cleaner (flat or oval)
- Choke Control
- Fuel Shut-off (if equipped)
- Starter Cord Handle
- Air Intake Grille
- Throttle Control (if equipped)
- Stop Switch (if equipped)
- Fuel Tank and Cap
- Extended Dipstick (if equipped)
- Short Dipstick (if equipped)
- Oil Drain Plug
- Oil Fill
- Muffler, Muffler Guard (if equipped), Spark Arrester (if equipped)

- P. Safety Key (electric start models)
- Q. ON/OFF Switch (electric start models)
- R. Gear Reduction Unit (if equipped)
- S. Key Switch (electric start models)

B	10W-30 - Above 80 °F (27 °C) the use of 10W-30 may cause increased oil consumption. Check oil level more frequently.
C	5W-30
D	Synthetic 5W-30
E	Vanguard™ Synthetic 15W-50

Engine Control Symbols and Meanings

Symbol	Meaning	Symbol	Meaning
	Engine speed - FAST		Engine speed - SLOW
	Engine speed - STOP		ON - OFF
	Engine start - Choke CLOSED		Engine start - Choke OPEN
	Fuel Cap Fuel Shut-off - OPEN		Fuel Shut-off - CLOSED
	Fuel level - Maximum Do not overfill		

Operation

Oil Recommendations

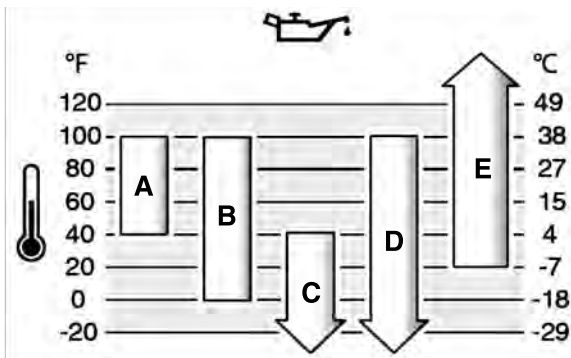
Oil Capacity: See the *Specifications* section.

NOTICE

This engine was shipped from Briggs & Stratton without oil. Equipment manufacturers or dealers may have added oil to the engine. Before you start the engine for the first time, make sure to check the oil level and add oil according to the instructions in this manual. If you start the engine without oil, it will be damaged beyond repair and will not be covered under warranty.

We recommend the use of Briggs & Stratton Warranty Certified oils for best performance. Other high-quality detergent oils are acceptable if classified for service SF, SG, SH, SJ or higher. Do not use special additives.

Outdoor temperatures determine the proper oil viscosity for the engine. Use the chart to select the best viscosity for the outdoor temperature range expected. Engines on most outdoor power equipment operate well with 5W-30 Synthetic oil. For equipment operated in hot temperatures, Vanguard™ 15W-50 Synthetic oil provides the best protection.



A	SAE 30 - Below 40 °F (4 °C) the use of SAE 30 will result in hard starting.
----------	--

Check Oil Level

See Figure: 4, 5

Before adding or checking the oil

- Make sure the engine is level.
- Clean the oil fill area of any debris.

Oil Fill Cap, if equipped

1. Remove the oil fill cap (A, Figure 4).
2. If oil level is low, slowly add oil into the engine oil fill (B, Figure 4). Fill to point of overflowing.
3. Reinstall and tighten the oil fill cap (A, Figure 4).

Short Dipstick, if equipped

1. Remove the dipstick (C, Figure 4) and wipe with a clean cloth.
2. Install the dipstick (C, Figure 4). **Do not turn or tighten.**
3. Remove the dipstick and check the oil level. Correct oil level is at the top of the full indicator (D, Figure 4) on the dipstick.
4. If oil level is low, slowly add oil into the engine oil fill (B, Figure 4). Fill to point of overflowing.
5. Reinstall and tighten the dipstick (C, Figure 4).

Extended Dipstick, if equipped

1. Remove the dipstick (A, Figure 5) and wipe with a clean cloth.
2. Install and tighten the dipstick (A, Figure 5).
3. Remove the dipstick and check the oil level. Correct oil level is at the top of the full indicator (B, Figure 5) on the dipstick.
4. If oil level is low, slowly add oil into the engine oil fill (C, Figure 5). **Do not overfill.** After adding oil, wait one minute and then recheck the oil level.
5. Reinstall and tighten the dipstick (A, Figure 5).

Low Oil Protection System (if equipped)

Some engines are equipped with a low oil sensor. If the oil is low, the sensor will either activate a warning light or stop the engine. Stop the engine and follow these steps before restarting the engine.

- Make sure the engine is level.
- Check the oil level. See the *Check Oil Level* section.
- If the oil level is low, add the proper amount of oil. Start the engine and make sure the warning light (if equipped) is not activated.
- If the oil level is not low, do not start the engine. Contact a Briggs & Stratton Authorized Service Dealer to have the oil problem corrected.

Fuel Recommendations

Fuel must meet these requirements:

- Clean, fresh, unleaded gasoline.
- A minimum of 87 octane/87 AKI (91 RON). High altitude use, see below.
- Gasoline with up to 10% ethanol (gasohol) is acceptable.

NOTICE Do not use unapproved gasolines, such as E15 and E85. Do not mix oil in gasoline or modify the engine to run on alternate fuels. Use of unapproved fuels will damage the engine components, which will not be covered under warranty.

To protect the fuel system from gum formation, mix a fuel stabilizer into the fuel. See **Storage**. All fuel is not the same. If starting or performance problems occur, change fuel providers or change brands. This engine is certified to operate on gasoline. The emissions control system for this engine is EM (Engine Modifications).

High Altitude

At altitudes over 5,000 feet (1524 meters), a minimum 85 octane/85 AKI (89 RON) gasoline is acceptable.

For carbureted engines, high altitude adjustment is required to maintain performance. Operation without this adjustment will cause decreased performance, increased fuel consumption, and increased emissions. Contact a Briggs & Stratton Authorized Service Dealer for high altitude adjustment information. Operation of the engine at altitudes below 2,500 feet (762 meters) with the high altitude adjustment is not recommended.

For Electronic Fuel Injection (EFI) engines, no high altitude adjustment is necessary.

Add Fuel

See Figure: 6



WARNING

Fuel and its vapors are extremely flammable and explosive.

Fire or explosion can cause severe burns or death.

When adding fuel

- Turn engine off and let engine cool at least 2 minutes before removing the fuel cap.
 - Fill fuel tank outdoors or in well-ventilated area.
 - Do not overfill fuel tank. To allow for expansion of the fuel, do not fill above the bottom of the fuel tank neck.
 - Keep fuel away from sparks, open flames, pilot lights, heat, and other ignition sources.
 - Check fuel lines, tank, cap, and fittings frequently for cracks or leaks. Replace if necessary.
 - If fuel spills, wait until it evaporates before starting engine.
1. Clean the fuel cap area of dirt and debris. Remove the fuel cap.
 2. Fill the fuel tank (A, Figure 6) with fuel. To allow for expansion of the fuel, do not fill above the bottom of the fuel tank neck (B).
 3. Reinstall the fuel cap.

Start and Stop Engine

See Figure: 7, 8

Start Engine



WARNING

Rapid retraction of starter cord (kickback) will pull hand and arm toward engine faster than you can let go.

Broken bones, fractures, bruises or sprains could result.

- When starting engine, pull the starter cord slowly until resistance is felt and then pull rapidly to avoid kickback.



WARNING

Fuel and its vapors are extremely flammable and explosive.

Fire or explosion can cause severe burns or death.

When Starting Engine

- Ensure that spark plug, muffler, fuel cap and air cleaner (if equipped) are in place and secured.
- Do not crank engine with spark plug removed.
- If engine floods, set choke (if equipped) to OPEN / RUN position, move throttle (if equipped) to FAST position and crank until engine starts.



WARNING

POISONOUS GAS HAZARD. Engine exhaust contains carbon monoxide, a poisonous gas that could kill you in minutes. You CANNOT see it, smell it, or taste it. Even if you do not smell exhaust fumes, you could still be exposed to carbon monoxide gas. If you start to feel sick, dizzy, or weak while using this product, shut it off and get to fresh air RIGHT AWAY. See a doctor. You may have carbon monoxide poisoning.

- Operate this product ONLY outside far away from windows, doors and vents to reduce the risk of carbon monoxide gas from accumulating and potentially being drawn towards occupied spaces.
- Install battery-operated carbon monoxide alarms or plug-in carbon monoxide alarms with battery back-up according to the manufacturer's instructions. Smoke alarms cannot detect carbon monoxide gas.
- DO NOT run this product inside homes, garages, basements, crawlspaces, sheds, or other partially-enclosed spaces even if using fans or opening doors and windows for ventilation. Carbon monoxide can quickly build up in these spaces and can linger for hours, even after this product has shut off.
- ALWAYS place this product downwind and point the engine exhaust away from occupied spaces.

NOTICE This engine was shipped from Briggs & Stratton without oil. Before you start the engine, make sure you add oil according to the instructions in this manual. If you start the engine without oil, it will be damaged beyond repair and will not be covered under warranty.

Note: Equipment may have remote controls. See the equipment manual for location and operation of remote controls.

1. Check the engine oil. See the **Check Oil Level** section.
 2. Make sure equipment drive controls, if equipped, are disengaged.
 3. Move the fuel shut-off (A, Figure 7) to the open position.
 4. Move the throttle control (C, Figure 7), if equipped, to the fast position. Operate the engine in the fast position.
 5. Move the choke control (B, Figure 7), to the choke position.
- Note:** Choke is usually unnecessary when restarting a warm engine.
6. Move the stop switch (D, Figure 7), if equipped, to the on position.
 7. **Rewind Start, if equipped:** Firmly hold the starter cord handle (E, Figure 7). Pull the starter cord handle slowly until resistance is felt, then pull rapidly.



WARNING

Rapid retraction of the starter cord (kickback) will pull your hand and arm toward the engine faster than you can let go. Broken bones, fractures, bruises or sprains could result. When starting engine, pull the starter cord slowly until resistance is felt and then pull rapidly to avoid kickback.

8. **Electric Start, if equipped with Safety Key (F):** Push in the safety key (F, Figure 7). Momentarily push the start switch (G). When the engine starts, release the start switch.
9. **Electric Start, if equipped with Automotive Key Switch (H):** Turn the key switch (H, Figure 8) to the start position. When the engine starts, release the key switch.

NOTICE To extend the life of the starter, use short starting cycles (five seconds maximum). Wait one minute between starting cycles.

10. As the engine warms up, move the choke control (B, Figure 7) to the run position.

Note: If the engine does not start after repeated attempts, go to **BRIGGSandSTRATTON.com** or contact your local dealer or call **1-800-233-3723** (in USA).

Stop Engine



WARNING

Fuel and its vapors are extremely flammable and explosive.

Fire or explosion can cause severe burns or death.

- Do not choke the carburetor to stop the engine.
1. **Throttle Control, if equipped:** Move the throttle control lever (C, Figure 7) to the slow and then to the stop position.
Stop Switch, if equipped: Move the stop switch (D, Figure 7) to the stop position.
Safety Key, if equipped: Remove the safety key (F, Figure 7) and keep it in a safe place out of the reach of children.
Key Switch, if equipped: Turn the key switch (H, Figure 8) to the off position. Remove the key and keep in a safe place out of the reach of children.
 2. After the engine stops, move the fuel shut-off (A, Figure 7) to the closed position.

Maintenance

NOTICE If the engine is tipped during maintenance, the fuel tank, if mounted on engine, must be empty and the spark plug side must be up. If the fuel tank is not empty and if the engine is tipped in any other direction, it may be difficult to start due to oil or gasoline contaminating the air filter and/or the spark plug.



WARNING

When performing maintenance that requires the unit to be tipped, the fuel tank, if mounted on the engine, must be empty or fuel can leak out and result in a fire or explosion.

We recommend that you see any Briggs & Stratton Authorized Service Dealer for all maintenance and service of the engine and engine parts.

NOTICE All the components used to build this engine must remain in place for proper operation.



WARNING



Unintentional sparking can result in fire or electric shock.

Unintentional start-up can result in entanglement, traumatic amputation, or laceration.

Fire hazard

Before performing adjustments or repairs:

- Disconnect the spark plug wire and keep it away from the spark plug.
- Disconnect battery at negative terminal (only engines with electric start.)
- Use only correct tools.
- Do not tamper with governor spring, links or other parts to increase engine speed.
- Replacement parts must be of the same design and installed in the same position as the original parts. Other parts may not perform as well, may damage the unit, and may result in injury.
- Do not strike the flywheel with a hammer or hard object because the flywheel may later shatter during operation.

When testing for spark:

- Use approved spark plug tester.
- Do not check for spark with spark plug removed.

Emissions Control Service

Maintenance, replacement, or repair of the emissions control devices and systems may be performed by any off-road engine repair establishment or individual. However, to obtain "no charge" emissions control service, the work must be performed by a factory authorized dealer. See the Emissions Control Statements.

Maintenance Schedule

First 5 Hours
<ul style="list-style-type: none"> • Change oil
Every 8 Hours or Daily
<ul style="list-style-type: none"> • Check engine oil level • Clean area around muffler and controls • Clean air intake grille
Every 25 Hours or Annually
<ul style="list-style-type: none"> • Clean air filter ¹ • Clean pre-cleaner (if equipped) ¹
Every 50 Hours or Annually
<ul style="list-style-type: none"> • Change engine oil • Service exhaust system
Every 100 Hours
<ul style="list-style-type: none"> • Change gear reduction oil (if equipped)
Annually

- Replace spark plug
- Replace air filter
- Replace pre-cleaner (if equipped)
- Replace fuel filter (if equipped)
- Service fuel system
- Service cooling system ¹
- Check valve clearance ²

¹ In dusty conditions or when airborne debris is present, clean more often.

² Not required unless engine performance problems are noted.

Carburetor and Engine Speed

Never make adjustments to the carburetor or engine speed. The carburetor was set at the factory to operate efficiently under most conditions. Do not tamper with the governor spring, linkages, or other parts to change the engine speed. If any adjustments are required contact a Briggs & Stratton Authorized Service Dealer for service.

NOTICE The equipment manufacturer specifies the maximum speed for the engine as installed on the equipment. **Do not exceed** this speed. If you are unsure what the equipment maximum speed is, or what the engine speed is set to from the factory, contact a Briggs & Stratton Authorized Service Dealer for assistance. For safe and proper operation of the equipment, the engine speed should be adjusted only by a qualified service technician.

Service Spark Plug

See Figure: 9

Check the gap (A, Figure 9) with a wire gauge (B). If necessary, reset the gap. Install and tighten the spark plug to the recommended torque. For gap setting or torque, see the **Specifications** section.

Note: In some areas, local law requires using a resistor spark plug to suppress ignition signals. If this engine was originally equipped with a resistor spark plug, use the same type for replacement.

Service Exhaust System



WARNING



Running engines produce heat. Engine parts, especially muffler, become extremely hot.

Severe thermal burns can occur on contact.

Combustible debris, such as leaves, grass, brush, etc. can catch fire.

- Allow muffler, engine cylinder and fins to cool before touching.
- Remove accumulated debris from muffler area and cylinder area.
- It is a violation of California Public Resource Code, Section 4442, to use or operate the engine on any forest-covered, brush-covered, or grass-covered land unless the exhaust system is equipped with a spark arrester, as defined in Section 4442, maintained in effective working order. Other states or federal jurisdictions may have similar laws. Contact the original equipment manufacturer, retailer, or dealer to obtain a spark arrester designed for the exhaust system installed on this engine.

Remove accumulated debris from muffler and cylinder area. Inspect the muffler for cracks, corrosion, or other damage. Remove the deflector or the spark arrester, if equipped, and inspect for damage or carbon blockage. If damage is found, install replacement parts before operating.



WARNING

Replacement parts must be of the same design and installed in the same position as the original parts. Other parts may not perform as well, may damage the unit, and may result in injury.

Change Engine Oil

See Figure: 10, 11, 12

Used oil is a hazardous waste product and must be disposed of properly. Do not discard with household waste. Check with your local authorities, service center, or dealer for safe disposal/recycling facilities.

Remove Oil

1. With engine off but still warm, disconnect the spark plug wire (D, Figure 10) and keep it away from the spark plug (E).
2. Remove the oil drain plug (F, Figure 11). Drain the oil into an approved container.

Note: Any of the oil drain plugs (G, Figure 11) may be installed in the engine.

3. After the oil has drained, install and tighten the oil drain plug (F, Figure 11).

Add Oil

- Make sure the engine is level.
- Clean the oil fill area of any debris.
- See the **Specifications** section for oil capacity.

Oil Fill Cap, if equipped

1. Remove the oil fill cap (H, Figure 11).
2. Pour the oil slowly into the engine oil fill (C, Figure 11). Fill to point of overflowing.
3. Install and tighten the oil fill cap (H, Figure 11).
4. Connect the spark plug wire (D, Figure 10) to the spark plug (E).

Short Dipstick, if equipped

1. Remove the dipstick (A, Figure 11) and wipe with a clean cloth.
2. Slowly pour oil into the engine oil fill (C, Figure 11). Fill to point of overflowing.
3. Install the dipstick (A, Figure 11). **Do not turn or tighten.** Remove and check the oil level. Correct oil level is at the top of the full indicator (B) on the dipstick.
4. Reinstall and tighten the dipstick (A, Figure 11).
5. Connect the spark plug wire (D, Figure 10) to the spark plug (E).

Extended Dipstick, if equipped

1. Remove the dipstick (A, Figure 12) and wipe with a clean cloth.
2. Slowly pour oil into the engine oil fill (C, Figure 12). **Do not overfill.** After adding oil, wait one (1) minute and then recheck the oil level.
3. Install and tighten the dipstick (A, Figure 12).
4. Remove and check the oil level. Correct oil level is at the top of the full indicator (B, Figure 12) on the dipstick.
5. Reinstall and tighten the dipstick (A, Figure 12).
6. Connect the spark plug wire (D, Figure 10) to the spark plug (E).

Change Gear Reduction Oil

See Figure: 13, 14

6:1 Gear Reduction (Figure 13)

If your engine is equipped with a 6:1 gear reduction unit, service as follows:

1. Remove the oil fill plug (A, Figure 13) and the oil level plug (B).
2. Remove the oil drain plug (C, Figure 13) and drain the oil into an appropriate receptacle.
3. Reinstall and tighten the oil drain plug (C, Figure 13).
4. To refill, slowly pour gear lube (see **Specifications** section) into the oil fill hole (D, Figure 13). Continue to pour until the oil runs out of the oil level hole (E).
5. Reinstall and tighten the oil level plug (B, Figure 13).
6. Reinstall and tighten the oil fill plug (A, Figure 13).

Note: The oil fill plug (A, Figure 13) has a vent hole (F) and must be installed on the top of the gear case cover as shown.

2:1 Gear Reduction (Figure 14)

The 2:1 gear reduction unit (G, Figure 14) does not require an oil change.

Service Air Filter

See Figure: 15, 16, 17



Fuel and its vapors are extremely flammable and explosive.

Fire or explosion can cause severe burns or death.

- Never start and run the engine with the air cleaner assembly (if equipped) or the air filter (if equipped) removed.

NOTICE Do not use pressurized air or solvents to clean the filter. Pressurized air can damage the filter and solvents will dissolve the filter.

See the **Maintenance Schedule** for service requirements.

Various models use either a foam or a paper filter. Some models may also have an optional pre-cleaner that can be washed and reused. Compare the illustrations in this manual with the type installed on your engine and service as follows.

Paper Air Filter

1. Loosen the fastener(s) (A, Figure 15, 16).
2. Remove the cover (B, Figure 15, 16).
3. Remove the pre-cleaner (C, Figure 15, 16), if equipped, and the filter (D).
4. To loosen debris, gently tap the filter (D, Figure 15, 16) on a hard surface. If the filter is excessively dirty, replace with a new filter.
5. Wash the pre-cleaner (C, Figure 15, 16), if equipped, in liquid detergent and water. Allow the pre-cleaner to thoroughly air dry. **Do not** oil the pre-cleaner.
6. Assemble the dry pre-cleaner (C, Figure 15, 16), if equipped, to the filter (D) with the lip (G) of the pre-cleaner on the bottom of the filter pleats.
7. Install the filter (D, Figure 15, 16).
8. On models equipped with air filter shown in Figure 15, install the cover tabs (E) into the slots (F).
9. Install the cover (B, Figure 15, 16) and secure with the fastener(s) (A).

Paper Air Filter

1. Loosen the fastener(s) (A, Figure 17).
2. Remove the cover (B, Figure 17).
3. Remove the pre-cleaner (C, Figure 17), if equipped, and the filter (D).
4. To loosen debris, gently tap the filter (D, Figure 17) on a hard surface. If the filter is excessively dirty, replace with a new filter.
5. Remove the pre-cleaner (C, Figure 17), if equipped, from the filter (D).
6. Wash the pre-cleaner (C, Figure 17), if equipped, in liquid detergent and water. Allow the pre-cleaner to thoroughly air dry. **Do not** oil the pre-cleaner.
7. Assemble the dry pre-cleaner (C, Figure 17), if equipped, to the filter (D).
8. Install the filter (D, Figure 17) and pre-cleaner (C), if equipped, into the base (E) and onto stud (F). Make sure the filter fits securely on base.
9. Install the air filter cover (B, Figure 17) and secure with the fastener(s) (A). Make sure the fastener(s) is tight.

Service Fuel System

See Figure: 18, 19



Fuel and its vapors are extremely flammable and explosive.

Fire or explosion can cause severe burns or death.

- Keep fuel away from sparks, open flames, pilot lights, heat, and other ignition sources.
- Check fuel lines, tank, cap, and fittings frequently for cracks or leaks. Replace if necessary.
- Before cleaning or replacing the fuel filter, drain the fuel tank or close the fuel shut-off valve.
- If fuel spills, wait until it evaporates before starting engine.
- Replacement parts must be the same and installed in the same position as the original parts.

Fuel Filter, if equipped

1. Before cleaning or replacing the fuel filter (A, Figure 18), drain the fuel tank or close the fuel shut-off valve. Otherwise, fuel can leak out and cause a fire or explosion.
2. Use pliers to squeeze tabs (B, Figure 18) on the clamps (C), then slide the clamps away from the fuel filter (A). Twist and pull the fuel lines (D) off of the fuel filter.
3. Check the fuel lines (D, Figure 18) for cracks or leaks. Replace if necessary.
4. Replace the fuel filter (A, Figure 18) with an original equipment replacement filter.
5. Secure the fuel lines (D, Figure 18) with clamps (C) as shown.

Fuel Strainer, if equipped

1. Remove the fuel cap (A, Figure 19).
2. Remove the fuel strainer (B, Figure 19).
3. If the fuel strainer is dirty, clean or replace it. If you replace the fuel strainer, make sure to use an original equipment replacement fuel strainer.

Service Cooling System



Running engines produce heat. Engine parts, especially muffler, become extremely hot.

Severe thermal burns can occur on contact.

Combustible debris, such as leaves, grass, brush, etc., can catch fire.

- Allow muffler, engine cylinder and fins to cool before touching.
- Remove accumulated debris from muffler area and cylinder area.

NOTICE Do not use water to clean the engine. Water could contaminate the fuel system. Use a brush or dry cloth to clean the engine.

This is an air cooled engine. Dirt or debris can restrict air flow and cause the engine to overheat, resulting in poor performance and reduced engine life.

1. Use a brush or dry cloth to remove debris from the air intake grille.
2. Keep linkage, springs and controls clean.
3. Keep the area around and behind the muffler, if equipped, free of any combustible debris.
4. Make sure the oil cooler fins, if equipped, are free of dirt and debris.

After a period of time, debris can accumulate in the cylinder cooling fins and cause the engine to overheat. This debris cannot be removed without partial disassembly of the engine. Have a Briggs & Stratton Authorized Service Dealer inspect and clean the air cooling system as recommended in the **Maintenance Schedule**.

Storage



Fuel and its vapors are extremely flammable and explosive.

Fire or explosion can cause severe burns or death.

When Storing Fuel Or Equipment With Fuel In Tank

- Store away from furnaces, stoves, water heaters or other appliances that have pilot lights or other ignition sources because they can ignite fuel vapors.

Fuel System

See Figure: 20

Store the engine level (normal operating position). Fill fuel tank (A, Figure 20) with fuel. To allow for expansion of fuel, do not overfill above the fuel tank neck (B).

Fuel can become stale when stored over 30 days. Stale fuel causes acid and gum deposits to form in the fuel system or on essential carburetor parts. To keep fuel fresh, use **Briggs & Stratton Advanced Formula Fuel Treatment & Stabilizer**, available wherever Briggs & Stratton genuine service parts are sold.

There is no need to drain gasoline from the engine if a fuel stabilizer is added according to instructions. Run the engine for two (2) minutes to circulate the stabilizer throughout the fuel system before storage.

If gasoline in the engine has not been treated with a fuel stabilizer, it must be drained into an approved container. Run the engine until it stops from lack of fuel. The use of a fuel stabilizer in the storage container is recommended to maintain freshness.

Engine Oil

While the engine is still warm, change the engine oil. See the **Change Engine Oil** section.

Troubleshooting

For assistance, contact your local dealer or go to **BRIGGSandSTRATTON.com** or call **1-800-233-3723** (in USA).

Specifications

Model: 120000	
Displacement	12.48 ci (205 cc)
Bore	2.688 in (65,28 mm)
Stroke	2.200 in (55,88 mm)
Oil Capacity	18 - 20 oz (.54 - .59 L)
Gear Reduction Oil Type	80W-90
Gear Reduction Oil Capacity	4 oz (0,12 L)
Spark Plug Gap	.030 in (.76 mm)
Spark Plug Torque	180 lb-in (20 Nm)
Armature Air Gap	.010 - .014 in (.25 - .36 mm)
Intake Valve Clearance	.004 - .006 in (.10 - .15 mm)
Exhaust Valve Clearance	.009 - .011 in (.23 - .28 mm)

Model: 150000	
Displacement	15.24 ci (250 cc)
Bore	2.970 in (75,44 mm)
Stroke	2.200 in (55,88 mm)
Oil Capacity	18 - 20 oz (.54 - .59 L)
Gear Reduction Oil Type	80W-90
Gear Reduction Oil Capacity	4 oz (0,12 L)
Spark Plug Gap	.030 in (.76 mm)
Spark Plug Torque	180 lb-in (20 Nm)
Armature Air Gap	.010 - .014 in (.25 - .36 mm)
Intake Valve Clearance	.004 - .006 in (.10 - .15 mm)
Exhaust Valve Clearance	.009 - .011 in (.23 - .28 mm)

Model: 200000	
Displacement	15.63 ci (305 cc)
Bore	3.120 in (79,24 mm)
Stroke	2.438 in (61,93 mm)
Oil Capacity	26 - 28 oz (.77 - .83 L)
Gear Reduction Oil Type	SAE 30
Gear Reduction Oil Capacity	12 oz (.35 L)
Spark Plug Gap	.030 in (.76 mm)
Spark Plug Torque	180 lb-in (20 Nm)
Armature Air Gap	.008 - .012 in (.20 - .30 mm)
Intake Valve Clearance	.004 - .006 in (.10 - .15 mm)
Exhaust Valve Clearance	.004 - .006 in (.10 - .15 mm)

Model: 210000	
Displacement	20.85 ci (342 cc)
Bore	3.300 in (83,81 mm)
Stroke	2.438 in (61,93 mm)
Oil Capacity	26 - 28 oz (.77 - .83 L)
Gear Reduction Oil Type	SAE 30
Gear Reduction Oil Capacity	12 oz (.35 L)
Spark Plug Gap	.030 in (.76 mm)

Model: 210000	
Spark Plug Torque	180 lb-in (20 Nm)
Armature Air Gap	.008 - .012 in (.20 - .30 mm)
Intake Valve Clearance	.004 - .006 in (.10 - .15 mm)
Exhaust Valve Clearance	.004 - .006 in (.10 - .15 mm)

Engine power will decrease 3.5% for each 1,000 feet (300 meters) above sea level and 1% for each 10° F (5.6° C) above 77° F (25° C). The engine will operate satisfactorily at an angle up to 15°. Refer to the equipment operator's manual for safe allowable operating limits on slopes.

Service Parts - Model: 120000, 150000, 200000, 210000	
Service Part	Part Number
Flat Air Filter	491588, 5043
Flat Air Filter Pre-cleaner	493537, 5064
Oval Air Filter (Models 120000, 150000)	697029, 5059
Oval Air Filter Pre-cleaner (Models 120000, 150000)	273356
Oval Air Filter (Models 200000, 210000)	695302
Oval Air Filter Pre-cleaner (Models 200000, 210000)	695303
Fuel Filter	694485
Advanced Formula Fuel Treatment & Stabilizer	100117, 100120
Resistor Spark Plug	491055
Long Life Platinum Spark Plug	5066
Spark Plug Wrench	89838, 5023
Spark Tester	19368

We recommend that you see any Briggs & Stratton Authorized Dealer for all maintenance and service of the engine and engine parts.

Power Ratings: The gross power rating for individual gasoline engine models is labeled in accordance with SAE (Society of Automotive Engineers) code J1940 Small Engine Power & Torque Rating Procedure, and is rated in accordance with SAE J1995. Torque values are derived at 2600 RPM for those engines with "rpm" called out on the label and 3060 RPM for all others; horsepower values are derived at 3600 RPM. The gross power curves can be viewed at www.BRIGGSandSTRATTON.COM. Net power values are taken with exhaust and air cleaner installed whereas gross power values are collected without these attachments. Actual gross engine power will be higher than net engine power and is affected by, among other things, ambient operating conditions and engine-to-engine variability. Given the wide array of products on which engines are placed, the gasoline engine may not develop the rated gross power when used in a given piece of power equipment. This difference is due to a variety of factors including, but not limited to, the variety of engine components (air cleaner, exhaust, charging, cooling, carburetor, fuel pump, etc.), application limitations, ambient operating conditions (temperature, humidity, altitude), and engine-to-engine variability. Due to manufacturing and capacity limitations, Briggs & Stratton may substitute an engine of higher rated power for this engine.

Warranty

Briggs & Stratton Engine Warranty

Effective January 2017

Limited Warranty

Briggs & Stratton warrants that, during the warranty period specified below, it will repair or replace, free of charge, any part that is defective in material or workmanship or both. Transportation charges on product submitted for repair or replacement under this warranty must be borne by purchaser. This warranty is effective for and is subject to the time periods and conditions stated below. For warranty service, find the nearest Authorized Service Dealer in our dealer locator map at BRIGGSandSTRATTON.COM. The purchaser must contact the Authorized Service Dealer, and then make the product available to the Authorized Service Dealer for inspection and testing.

There is no other express warranty. Implied warranties, including those of merchantability and fitness for a particular purpose, are limited to the warranty period listed below, or to the extent permitted by law. Liability for incidental or consequential damages are excluded to the extent exclusion is permitted by law. Some states or countries do not allow limitations on how long an implied warranty lasts, and some states or countries do not allow the exclusion or limitation of incidental or consequential damages, so the above limitation and exclusion may not apply to you. This warranty gives you specific legal rights and you may also have other rights which vary from state to state and country to country ⁴.

Standard Warranty Terms 1, 2, 3

Brand / Product Name	Consumer Use	Commercial Use
Vanguard™; Commercial Series	36 months	36 months
Engines Featuring Dura-Bore™ Cast Iron Sleeve	24 months	12 months
All Other Engines	24 months	3 months

¹These are our standard warranty terms, but occasionally there may be additional warranty coverage that was not determined at time of publication. For a listing of current warranty terms for your engine, go to BRIGGSandSTRATTON.com or contact your Briggs & Stratton Authorized Service Dealer.

²There is no warranty for engines on equipment used for prime power in place of a utility or for standby generators used for commercial purposes. Engines used in competitive racing or on commercial or rental tracks are not warranted.

³Vanguard installed on standby generators: 24 months consumer use, no warranty commercial use. Vanguard installed on utility vehicles: 24 months consumer use, 24 months commercial use. Commercial Series with manufacturing date before July 2017, 24 months consumer use, 24 months commercial use.

⁴In Australia - Our goods come with guarantees that cannot be excluded under the Australian Consumer Law. You are entitled to a replacement or refund for a major failure and for compensation for any other reasonably foreseeable loss or damage. You are also entitled to have the goods repaired or replaced if the goods fail to be of acceptable quality and the failure does not amount to a major failure. For warranty service, find the nearest Authorized Service Dealer in our dealer locator map at BRIGGSandSTRATTON.COM, or by calling 1300 274 447, or by emailing or writing to salesenquiries@briggsandstratton.com.au, Briggs & Stratton Australia Pty Ltd, 1 Moorebank Avenue, Moorebank, NSW, Australia, 2170.

The warranty period begins on the original date of purchase by the first retail or commercial consumer. "Consumer use" means personal residential household use by a retail consumer. "Commercial use" means all other uses, including use for commercial, income producing or rental purposes. Once an engine has experienced commercial use, it shall thereafter be considered as a commercial use engine for purposes of this warranty.

Save your proof of purchase receipt. If you do not provide proof of the initial purchase date at the time warranty service is requested, the manufacturing date of the product will be used to determine the warranty period. Product registration is not required to obtain warranty service on Briggs & Stratton products.

About Your Warranty

This limited warranty covers engine-related material and/or workmanship issues only, and not replacement or refund of the equipment to which the engine may be mounted. Routine maintenance, tune-ups, adjustments, or normal wear and tear are not covered under this warranty. Similarly, warranty is not applicable if the engine has been altered or modified or if the engine serial number has been defaced or removed. This warranty does not cover engine damage or performance problems caused by:

1. The use of parts that are not original Briggs & Stratton parts;
2. Operating the engine with insufficient, contaminated, or an incorrect grade of lubricating oil;
3. The use of contaminated or stale fuel, gasoline formulated with ethanol greater than 10%, or the use of alternative fuels such as liquefied petroleum or natural gas on engines not originally designed/manufactured by Briggs & Stratton to operate on such fuels;
4. Dirt which entered the engine because of improper air cleaner maintenance or re-assembly;
5. Striking an object with the cutter blade of a rotary lawn mower, loose or improperly installed blade adapters, impellers, or other crankshaft coupled devices, or excessive v-belt tightness;
6. Associated parts or assemblies such as clutches, transmissions, equipment controls, etc., which are not supplied by Briggs & Stratton;
7. Overheating due to grass clippings, dirt and debris, or rodent nests which plug or clog the cooling fins or flywheel area, or by operating the engine without sufficient ventilation;
8. Excessive vibration due to over-speeding, loose engine mounting, loose or unbalanced cutter blades or impellers, or improper coupling of equipment components to the crankshaft;
9. Misuse, lack of routine maintenance, shipping, handling, or warehousing of equipment, or improper engine installation.

Warranty service is available only through Briggs & Stratton Authorized Service Dealers. Locate your nearest Authorized Service Dealer in our dealer locator map at BRIGGSandSTRATTON.COM or by calling 1-800-233-3723 (in USA).

80004537 (Rev. C)

Briggs & Stratton Emissions Warranty

California, U.S. EPA, and Briggs & Stratton Corporation Emissions Control Warranty Statement - Your Warranty Rights and Obligations

For Briggs & Stratton Engine Models with "F" Trim Designation (Model-Type-Trim Representation xxxxxx xxxx Fx)

The California Air Resources Board, U.S. EPA, and Briggs & Stratton (B&S) are pleased to explain the emissions control system warranty on your Model Year 2017-2019 engine/equipment. In California, new small off-road engines and large spark ignited engines less than or equal to 1.0 liter must be designed, built, and equipped to meet the State's stringent anti-smog standards. B&S must warrant the emissions control system on your engine/equipment for the periods of time listed below provided there has been no abuse, neglect, or improper maintenance of your engine/equipment.

Your exhaust emissions control system may include parts such as the carburetor or fuel injection system, ignition system, and catalytic converter. Also included may be hoses, belts, connectors, sensors, and other emissions-related assemblies. Your evaporative emission control system may include parts such as: carburetors, fuel tanks, fuel lines, fuel caps, valves, canisters, filters, vapor hoses, clamps, connectors, and other associated components.

Where a warrantable condition exists, B&S will repair your engine/equipment at no cost to you including diagnosis, parts, and labor.

Manufacturer's Warranty Coverage:

Small off-road engines and large spark ignited engines less than or equal to 1.0 liter, and any related emissions components of the equipment, are warranted for two years, or for the time period listed in the respective engine or product warranty statement, whichever is greater. If any emissions-related part on your B&S engine/equipment is defective, the part will be repaired or replaced by B&S.

Owner's Warranty Responsibilities:

- As the engine/equipment owner, you are responsible for the performance of the required maintenance listed in your Operator's Manual. B&S recommends that you retain all receipts covering maintenance on your engine/equipment, but B&S cannot deny warranty solely for the lack of receipts or your failure to ensure the performance of all scheduled maintenance.
- As the engine/equipment owner, you should however be aware that B&S may deny you warranty coverage if your engine/equipment or a part has failed due to abuse, neglect, improper maintenance, or unapproved modifications.
- You are responsible for presenting your engine/equipment to a B&S distribution center, servicing dealer, or other equivalent entity, as applicable, as soon as a problem exists. The warranty repairs should be completed in a reasonable amount of time, not to exceed 30 days. If you have any questions regarding your warranty rights and responsibilities, you should contact B&S at 1-800-444-7774 (in USA) or BRIGGSandSTRATTON.COM.

Briggs & Stratton Emissions Control Warranty Provisions

The following are specific provisions relative to your Emissions Control Warranty Coverage. It is in addition to the B&S engine warranty for non-regulated engines found in the Operator's Manual.

1. **Warranted Emissions Parts**
Coverage under this warranty extends only to the parts listed below (the emissions control systems parts) to the extent these parts were present on the B&S engine and/or B&S supplied fuel system.
 - a. **Fuel Metering System**
 - Cold start enrichment system (soft choke)
 - Carburetor or fuel injection system
 - Oxygen sensor
 - Electronic control unit
 - Fuel pump module
 - Fuel line, fuel line fittings, clamps
 - Fuel tank, cap and tether
 - Carbon canister
 - b. **Air Induction System**
 - Air cleaner
 - Intake manifold
 - Purge and vent line
 - c. **Ignition System**
 - Spark plug(s)
 - Magneto ignition system

- d. **Catalyst System**
 - Catalytic converter
 - Exhaust manifold
 - Air injection system or pulse valve
- e. **Miscellaneous Items Used in Above Systems**
 - Vacuum, temperature, position, time sensitive valves and switches
 - Connectors and assemblies

2. **Length of Coverage**
Coverage is for a period of two years from date of original purchase, or for the time period listed in the respective engine or product warranty statement, whichever is greater. B&S warrants to the original purchaser and each subsequent purchaser that the engine is designed, built, and equipped so as to conform with all applicable regulations adopted by the Air Resources Board; that it is free from defects in material and workmanship that could cause the failure of a warranted part; and that it is identical in all material respects to the engine described in the manufacturer's application for certification. The warranty period begins on the date the engine is originally purchased.

The warranty on emissions-related parts is as follows:

- Any warranted part that is not scheduled for replacement as required maintenance in the Operator's Manual supplied, is warranted for the warranty period stated above. If any such part fails during the period of warranty coverage, the part will be repaired or replaced by B&S at no charge to the owner. Any such part repaired or replaced under the warranty will be warranted for the remaining warranty period.
- Any warranted part that is scheduled only for regular inspection in the Operator's Manual supplied, is warranted for the warranty period stated above. Any such part repaired or replaced under warranty will be warranted for the remaining warranty period.
- Any warranted part that is scheduled for replacement as required maintenance in the Operator's Manual supplied, is warranted for the period of time prior to the first scheduled replacement point for that part. If the part fails prior to the first scheduled replacement, the part will be repaired or replaced by B&S at no charge to the owner. Any such part repaired or replaced under warranty will be warranted for the remainder of the period prior to the first scheduled replacement point for the part.
- Add-on or modified parts that are not exempted by the Air Resources Board may not be used. The use of any non-exempted add-on or modified parts by the owner will be grounds for disallowing a warranty claim. The manufacturer will not be liable to warrant failures of warranted parts caused by the use of a non-exempted add-on or modified part.

3. **Consequential Coverage**
Coverage shall extend to the failure of any engine components caused by the failure of any warranted emissions parts.
4. **Claims and Coverage Exclusions**
Warranty claims shall be filed according to the provisions of the B&S engine warranty policy. Warranty coverage does not apply to failures of emissions parts that are not original equipment B&S parts or to parts that fail due to abuse, neglect, or improper maintenance as set forth in the B&S engine warranty policy. B&S is not liable for warranty coverage of failures of emissions parts caused by the use of add-on or modified parts.

Look For Relevant Emissions Durability Period and Air Index Information On Your Small Off-Road Engine Emissions Label

Engines that are certified to meet the California Air Resources Board (CARB) small off-road Emissions Standard must display information regarding the Emissions Durability Period and the Air Index. Briggs & Stratton makes this information available to the consumer on our emissions labels. The engine emissions label will indicate certification information.

The **Emissions Durability Period** describes the number of hours of actual running time for which the engine is certified to be emissions compliant, assuming proper maintenance in accordance with the Operator's Manual. The following categories are used:

Moderate:

Engines at or less than 80 cc displacement are certified to be emissions compliant for 50 hours of actual engine running time. Engines greater than 80 cc displacement are certified to be emissions compliant for 125 hours of actual engine running time.

Intermediate:

Engines at or less than 80 cc displacement are certified to be emissions compliant for 125 hours of actual engine running time. Engines greater than 80 cc displacement are certified to be emissions compliant for 250 hours of actual engine running time.

Extended:

Engines at or less than 80 cc displacement are certified to be emissions compliant for 300 hours of actual engine running time. Engines greater than 80 cc displacement are certified to be emissions compliant for 500 hours of actual engine running time.

For example, a typical walk-behind lawn mower is used 20 to 25 hours per year. Therefore, the **Emissions Durability Period** of an engine with an **intermediate** rating would equate to 10 to 12 years.

Briggs & Stratton engines are certified to meet the United States Environmental Protection Agency (USEPA) Phase 2 or Phase 3 emissions standards. The Emissions Compliance Period referred to on the Emissions Compliance label indicates the number of operating hours for which the engine has been shown to meet Federal emissions requirements.

For engines at or less than 80 cc displacement:

Category C = 50 hours, Category B = 125 hours, Category A = 300 hours

For engines greater than 80 cc displacement and less than 225 cc displacement:

Category C = 125 hours, Category B = 250 hours, Category A = 500 hours

For engines of 225 cc or more displacement:

Category C = 250 hours, Category B = 500 hours, Category A = 1000 hours

80008256 (Rev F)

California, U.S. EPA, and Briggs & Stratton Corporation Emissions Control Warranty Statement - Your Warranty Rights and Obligations

For Briggs & Stratton Engine Models with "B" or "G" Trim Designation (Model-Type-Trim Representation xxxxxx xxxx Bx or xxxxxx xxx Gx)

The California Air Resources Board, U.S. EPA, and Briggs & Stratton (B&S) are pleased to explain the emissions control system warranty on your Model Year 2017-2019 engine. In California, new small off-road engines and large spark ignited engines less than or equal to 1.0 liter must be designed, built, and equipped to meet the State's stringent anti-smog standards. B&S must warrant the emissions control system on your engine for the periods of time listed below provided there has been no abuse, neglect, or improper maintenance of your engine.

Your exhaust emissions control system may include parts such as the carburetor or fuel injection system, ignition system, and catalytic converter. Also included may be hoses, belts, connectors, sensors, and other emissions-related assemblies.

Where a warrantable condition exists, B&S will repair your engine at no cost to you including diagnosis, parts, and labor.

Manufacturer's Warranty Coverage:

Small off-road engines and large spark ignited engines less than or equal to 1.0 liter, and any related emissions components of the equipment, are warranted for two years, or for the time period listed in the respective engine or product warranty statement, whichever is greater. If any emissions-related part on your B&S engine is defective, the part will be repaired or replaced by B&S.

Owner's Warranty Responsibilities:

- As the engine owner, you are responsible for the performance of the required maintenance listed in your Operator's Manual. B&S recommends that you retain all receipts covering maintenance on your engine, but B&S cannot deny warranty solely for the lack of receipts or your failure to ensure the performance of all scheduled maintenance.
- As the engine owner, you should however be aware that B&S may deny you warranty coverage if your engine or a part has failed due to abuse, neglect, improper maintenance, or unapproved modifications.
- You are responsible for presenting your engine to a B&S distribution center, servicing dealer, or other equivalent entity, as applicable, as soon as a problem exists. The warranty repairs should be completed in a reasonable amount of time, not to exceed 30 days. If you have any questions regarding your warranty rights and responsibilities, you should contact B&S at 1-800-444-7774 (in USA) or BRIGGSandSTRATTON.COM.

Briggs & Stratton Emissions Control Warranty Provisions

The following are specific provisions relative to your Emissions Control Warranty Coverage. It is in addition to the B&S engine warranty for non-regulated engines found in the Operator's Manual.

1. Warranted Emissions Parts
Coverage under this warranty extends only to the parts listed below (the emissions control systems parts) to the extent these parts were present on the B&S engine.
 - a. Fuel Metering System
 - Cold start enrichment system (soft choke)
 - Carburetor or fuel injection system
 - Oxygen sensor
 - Electronic control unit
 - Fuel pump module

- b. Air Induction System
 - Air cleaner
 - Intake manifold
- c. Ignition System
 - Spark plug(s)
 - Magneto ignition system
- d. Catalyst System
 - Catalytic converter
 - Exhaust manifold
 - Air injection system or pulse valve
- e. Miscellaneous Items Used in Above Systems
 - Vacuum, temperature, position, time sensitive valves and switches
 - Connectors and assemblies

2. Length of Coverage
Coverage is for a period of two years from date of original purchase, or for the time period listed in the respective engine or product warranty statement, whichever is greater. B&S warrants to the original purchaser and each subsequent purchaser that the engine is designed, built, and equipped so as to conform with all applicable regulations adopted by the Air Resources Board; that it is free from defects in material and workmanship that could cause the failure of a warranted part; and that it is identical in all material respects to the engine described in the manufacturer's application for certification. The warranty period begins on the date the engine is originally purchased.

The warranty on emissions-related parts is as follows:

- Any warranted part that is not scheduled for replacement as required maintenance in the Operator's Manual supplied, is warranted for the warranty period stated above. If any such part fails during the period of warranty coverage, the part will be repaired or replaced by B&S at no charge to the owner. Any such part repaired or replaced under the warranty will be warranted for the remaining warranty period.
 - Any warranted part that is scheduled only for regular inspection in the Operator's Manual supplied, is warranted for the warranty period stated above. Any such part repaired or replaced under warranty will be warranted for the remaining warranty period.
 - Any warranted part that is scheduled for replacement as required maintenance in the Operator's Manual supplied, is warranted for the period of time prior to the first scheduled replacement point for that part. If the part fails prior to the first scheduled replacement, the part will be repaired or replaced by B&S at no charge to the owner. Any such part repaired or replaced under warranty will be warranted for the remainder of the period prior to the first scheduled replacement point for the part.
 - Add-on or modified parts that are not exempted by the Air Resources Board may not be used. The use of any non-exempted add-on or modified parts by the owner will be grounds for disallowing a warranty claim. The manufacturer will not be liable to warrant failures of warranted parts caused by the use of a non-exempted add-on or modified part.
3. Consequential Coverage
Coverage shall extend to the failure of any engine components caused by the failure of any warranted emissions parts.
 4. Claims and Coverage Exclusions
Warranty claims shall be filed according to the provisions of the B&S engine warranty policy. Warranty coverage does not apply to failures of emissions parts that are not original equipment B&S parts or to parts that fail due to abuse, neglect, or improper maintenance as set forth in the B&S engine warranty policy. B&S is not liable for warranty coverage of failures of emissions parts caused by the use of add-on or modified parts.

Look For Relevant Emissions Durability Period and Air Index Information On Your Small Off-Road Engine Emissions Label

Engines that are certified to meet the California Air Resources Board (CARB) small off-road Emissions Standard must display information regarding the Emissions Durability Period and the Air Index. Briggs & Stratton makes this information available to the consumer on our emissions labels. The engine emissions label will indicate certification information.

The **Emissions Durability Period** describes the number of hours of actual running time for which the engine is certified to be emissions compliant, assuming proper maintenance in accordance with the Operator's Manual. The following categories are used:

Moderate:

Engines at or less than 80 cc displacement are certified to be emissions compliant for 50 hours of actual engine running time. Engines greater than 80 cc displacement are certified to be emissions compliant for 125 hours of actual engine running time.

Intermediate:

Engines at or less than 80 cc displacement are certified to be emissions compliant for 125 hours of actual engine running time. Engines greater than 80 cc displacement are certified to be emissions compliant for 250 hours of actual engine running time.

Extended:

Engines at or less than 80 cc displacement are certified to be emissions compliant for 300 hours of actual engine running time. Engines greater than 80 cc displacement are certified to be emissions compliant for 500 hours of actual engine running time.

For example, a typical walk-behind lawn mower is used 20 to 25 hours per year. Therefore, the **Emissions Durability Period** of an engine with an **intermediate** rating would equate to 10 to 12 years.

Briggs & Stratton engines are certified to meet the United States Environmental Protection Agency (USEPA) Phase 2 or Phase 3 emissions standards. The Emissions Compliance Period referred to on the Emissions Compliance label indicates the number of operating hours for which the engine has been shown to meet Federal emissions requirements.

For engines at or less than 80 cc displacement:

Category C = 50 hours, Category B = 125 hours, Category A = 300 hours

For engines greater than 80 cc displacement and less than 225 cc displacement:

Category C = 125 hours, Category B = 250 hours, Category A = 500 hours

For engines of 225 cc or more displacement:

Category C = 250 hours, Category B = 500 hours, Category A = 1000 hours

80008114 (Rev F)

Not for
Reproduction

Este manual contiene información de seguridad para advertirle sobre los peligros y riesgos asociados con motores y cómo evitarlos. También contiene instrucciones para uso y cuidado correctos del motor. Debido a que Briggs & Stratton Corporation no necesariamente sabe para qué equipo se utilizará este motor, es importante que usted lea y comprenda estas instrucciones y las instrucciones de su equipo. **Conserve estas instrucciones originales para consulta futura.**

Nota: Las figuras e ilustraciones en este manual son provistas solo para consulta y pueden no ser iguales a su modelo específico. Si tiene preguntas, comuníquese con su distribuidor.

Para piezas de repuesto o asistencia técnica, anote a continuación el modelo, tipo y números de código del motor, junto con la fecha de compra. Estos números están ubicados en su motor (vea la sección de **Características y Controles**).

Fecha de compra	
Modelo del motor - Tipo - Reglaje	
Número de Serie del motor	

Busque el código de barras 2D que se encuentra en algunos motores. Cuando se ve con un dispositivo con capacidad 2D, el código hará surgir nuestro sitio web donde puede acceder a información de soporte para este producto. Corresponden tarifas de datos. Algunos países pueden no tener información de soporte en línea disponible.



Seguridad del operador

Símbolo de alerta de seguridad y palabras de señalización

El símbolo de alerta de seguridad se usa para identificar información de seguridad sobre riesgos que pueden provocar lesiones personales. Se usa una palabra de señalización (PELIGRO, ADVERTENCIA o ATENCIÓN) junto con el símbolo de alerta para indicar la probabilidad y la gravedad potencial de las lesiones. Además, se puede usar un símbolo de riesgo para representar el tipo de riesgo.

PELIGRO indica un riesgo que, si no se evita, **ocasionará la muerte o lesiones graves.**

ADVERTENCIA indica un riesgo que, si no se evita, **podría ocasionar la muerte o lesiones graves.**

ATENCIÓN indica un riesgo que, si no se evita, **podría ocasionar lesiones menores o moderadas.**

AVISO indica una situación que **podría provocar daños al producto.**

Símbolos de peligro y sus significados

Símbolo	Significado	Símbolo	Significado
	Información de seguridad sobre los riesgos que pueden provocar lesiones físicas.		Lea y entienda el Manual del Operador antes de operar o reparar la unidad.
	Peligro de incendio		Peligro de explosión
	Peligro de descarga		Peligro de emisión de vapores tóxicos

Símbolo	Significado	Símbolo	Significado
	Peligro de superficie caliente		Peligro de ruido: se recomienda el uso prolongado de protección para los oídos.
	Peligro de caída de objetos: utilice protección para los ojos.		Peligro de explosión
	Peligro de congelación		Peligro de retroceso violento
	Peligro de amputación: piezas móviles		Peligro químico
	Peligro de calor		Corrosivo

Mensajes de seguridad



ADVERTENCIA

Ciertos componentes en este producto y sus accesorios correspondientes contienen químicos considerados para el Estado de California como causantes de cáncer, defectos de nacimiento u otros daños reproductivos. Lávese las manos después de manipular estos elementos.



ADVERTENCIA

El escape del motor de este producto contiene sustancias químicas reconocidas en el estado de California por producir cáncer, defectos de nacimiento u otros daños que pueden ser perjudiciales para la reproducción.



ADVERTENCIA

Los motores Briggs & Stratton no están diseñados para y no deben utilizarse para impulsar "karts" recreativos o deportivos; vehículos recreativos para niños o deportivos todo terreno; motos; aerodeslizadores; productos de aeronaves o vehículos utilizados en eventos competitivos no sancionados por Briggs & Stratton. Para obtener información sobre productos para carreras competitivas, vaya a www.briggsracing.com. Para uso con vehículos utilitarios y side-by-side todo terreno, contáctese con el Centro de Aplicación de Motores Briggs & Stratton al 1-866-927-3349. El uso del motor para aplicaciones inadecuadas puede generar lesiones graves o la muerte.



ADVERTENCIA



El combustible y sus vapores son extremadamente inflamables y explosivos.

El fuego o la explosión pueden causar quemaduras graves o la muerte.

Cuando agregue combustible

- Apague el motor y deje que se enfríe por lo menos 2 minutos antes de remover la tapa del combustible.
- Llene el tanque de combustible en exteriores o en un área bien ventilada.
- No llene excesivamente el tanque de combustible. Para permitir la expansión del combustible, no llene el tanque por arriba de la parte inferior del cuello.
- Mantenga el combustible alejado de chispas, llamas abiertas, testigos piloto, fuentes de calor y otras fuentes de encendido.
- Compruebe con frecuencia si existen grietas o fugas en las mangueras de combustible, el tanque, la tapa y en los accesorios. Reemplace las piezas, si es necesario.
- Si se derramó combustible, espere hasta que se haya evaporado antes arrancar el motor.

Cuando encienda el motor

- Asegúrese de que la bujía, el silenciador, la tapa del combustible y el filtro de aire (si está equipado) estén colocados y fijos en su lugar.
- No haga girar el motor si retiró la bujía.
- Si el motor se ahoga, coloque el estrangulador (si está equipado) en la posición de apertura/funcionamiento (OPEN/RUN), coloque el acelerador (si está equipado) en la posición de velocidad (FAST) y arranque el motor hasta que se encienda.

Cuando opere el equipo

- No incline el motor ni el equipo de forma que pueda derramarse el combustible.
- No estrangule el carburador para detener el motor.
- Nunca encienda o haga funcionar el motor sin el conjunto del purificador de aire (si tiene) o el filtro de aire (si tiene).

Cuando cambie el aceite

- Si drena el aceite desde el tubo superior de llenado de aceite, el tanque de combustible debe estar vacío o de lo contrario podría presentarse una fuga de combustible que podría ocasionar un incendio o una explosión.

Cuando incline la unidad para trabajos de mantenimiento

- Al realizar trabajos de mantenimiento que requieran inclinar la unidad, el tanque de combustible, si está montado en el motor, debe estar vacío o podría haber una fuga de combustible y generar un incendio o una explosión.

Cuando transporte el equipo

- Transporte con el tanque de combustible VACÍO o con la válvula de cierre de combustible en la posición CLOSED.

Cuando almacene el combustible o el equipo con combustible en el tanque

- Almacénelo a distancia de hornos, estufas, calentadores de agua u otros aparatos que utilicen testigos piloto u otras fuentes de encendido ya que estos pueden encender vapores combustibles.



ADVERTENCIA

Dar arranque al motor crea chispeo.

El chispeo puede encender los gases inflamables cercanos, lo que podría ocasionar una explosión o un incendio.

- Si hay una fuga de gas natural o gas propano LP en el área, no le de arranque al motor.
- No use líquidos de arranque presurizados ya que los vapores son inflamables.



ADVERTENCIA

PELIGRO DE GAS TÓXICO. La descarga de escape del motor contiene monóxido de carbono, un gas tóxico que puede matar en minutos. NO puede verlo, es inodoro e insípido. Incluso si no huele los gases del escape, puede estar expuesto al monóxido de carbono. Si comienza a sentirse mareado o débil cuando utiliza el producto, tome aire fresco inmediatamente y Consulte a un médico. Puede haberse intoxicado con monóxido de carbono.

- Opere este producto SOLAMENTE al aire libre, lejos de ventanas, puertas y ventilaciones, para reducir el riesgo de que el monóxido de carbono se acumule y pueda circular a espacios habitados.
- Instale alarmas de monóxido de carbono con baterías o enchufe (batería de respaldo) siguiendo las instrucciones del fabricante. Las alarmas de humo no pueden detectar el monóxido de carbono.
- NO opere este producto dentro de hogares, garajes, sótanos, espacios reducidos, cobertizos u otros espacios parcialmente cerrados, incluso si usa ventiladores o deja las puertas y ventanas abiertas. El monóxido de carbono se puede acumular rápidamente en estos espacios y puede permanecer durante horas, incluso después de que se apaga este producto.
- SIEMPRE coloque este producto en la dirección del viento y apunte el escape del motor lejos de espacios habitados.



ADVERTENCIA

La retracción rápida de la cuerda del arranque (retroceso violento) le halará la mano y el brazo hacia el motor antes de que pueda soltarla.

Podría causar huesos rotos, fracturas, hematomas o esguinces.

- Cuando arranque el motor, tire lentamente de la cuerda hasta sentir una resistencia y, a continuación, tire rápidamente de ella para evitar su retroceso.
- Remueva todas las cargas externas del equipo/motor antes de darle arranque al motor.
- Los componentes del equipo de acoplamiento directo, como cuchillas, impulsores, poleas, ruedas dentadas, entre otros, se deben colocar firmemente.



ADVERTENCIA

Las partes rotantes pueden tener contacto o atrapar las manos, los pies, el cabello, la ropa o los accesorios.

podría ocasionar una amputación traumática o una laceración grave.

- Opere el equipo con los protectores en su lugar.
- Mantenga las manos y los pies a distancia de las partes rotantes.
- Recoja el pelo largo y quítese cualquier joya.
- No use ropa floja, tiras que cuelguen ni artículos que puedan ser agarrados.



ADVERTENCIA

El funcionamiento de los motores produce calor. Las piezas de los motores, especialmente el silenciador, se calientan demasiado.

Pueden ocurrir graves quemaduras al tocarlas.

Los desechos combustibles, tal como hojas, grama, maleza, etc. pueden prenderse fuego.

- Deje que el silenciador, el cilindro y las aletas del motor se enfríen antes de tocarlos.
- Extraiga los desechos acumulados en el área del silenciador y en el área del cilindro.
- Es una violación del Código de Recursos Públicos de California, Sección 4442, utilizar u operar el motor en cualquier espacio con árboles, maleza o grama a menos que el sistema de escape esté equipado con un extintor de chispas, como lo define la Sección 4442, mantenido en correcto funcionamiento. Otros estados o jurisdicciones federales pueden tener leyes similares. Póngase en contacto con el vendedor, el distribuidor o el fabricante del equipo original para obtener un extintor de chispas diseñado para el sistema de escape instalado en este motor.



ADVERTENCIA

Las chispas no intencionales pueden provocar un incendio o una descarga eléctrica.

El arranque accidental puede provocar enredos, amputaciones traumáticas o laceraciones.

Peligro de incendio

Antes de hacer ajustes o reparaciones:

- Desconecte el cable de la bujía y manténgalo lejos de la bujía.
- Desconecte la batería en la terminal negativa (únicamente motores con arranque eléctrico).
- Use solamente las herramientas correctas.
- No manipule el resorte del regulador, las conexiones u otras piezas para aumentar la velocidad del motor.
- Las piezas de repuesto deben ser del mismo diseño y deben ser instaladas en la misma posición que las piezas originales. Otras piezas pueden no funcionar igual de bien, pueden dañar la unidad, y pueden causar lesiones.
- No golpee la volante con un martillo ni con un objeto pesado ya que la volante podría astillarse más adelante durante la operación.

Cuando haga las pruebas de chispa:

- Use un probador de bujías aprobado.
- No haga las pruebas de chispa sin la bujía en su lugar.

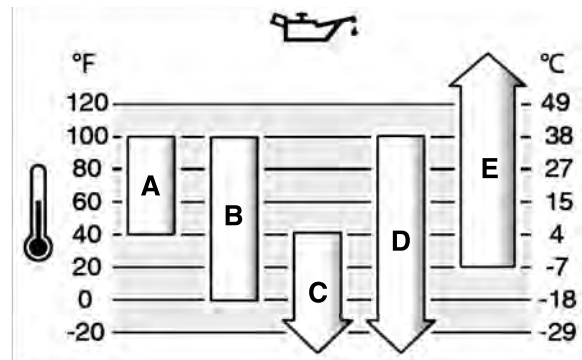
Características y Controles

Controles del motor

Compare la ilustración (Figura: 1, 2, 3,) con su motor para familiarizarse con la ubicación de diversas características y controles.

- A. Números de identificación del motor **Modelo - Tipo - Código**
- B. Bujía
- C. Filtro de aire (oval o plano)
- D. Control del estrangulador
- E. Cierre de combustible (si está equipado)
- F. Manija Cuerda Arranque
- G. Parrilla de la admisión de aire
- H. Control de aceleración (si lo tuviera)
- I. Suiche de parada (si está equipado)
- J. Tanque y Tapa de Combustible
- K. Varilla de nivel extendida (si tiene)
- L. Varilla de nivel corta (si tiene)
- M. Tapón Drenaje Aceite
- N. Llenado de Aceite
- O. Silenciador, protector de silenciador (si lo tuviera), supresor de chispas (si lo tuviera)
- P. Llave de seguridad (modelos con arranque eléctrico)
- Q. Interruptor de encendido/apagado (ON/OFF) (modelos con arranque eléctrico)
- R. Unidad reductora de vel. de engranajes (si tiene)
- S. Interruptor de llave (modelos con arranque eléctrico)

Las temperaturas exteriores determinarán la viscosidad adecuada del aceite para el motor. Use la tabla para seleccionar la mejor viscosidad según el margen de temperatura exterior que se espera. Los motores en la mayoría de equipos de energía al aire libre funcionan bien con aceite sintético 5W-30. Para equipos que funcionan a altas temperaturas, el aceite sintético Vanguard™ 15W-50 proporciona la mejor protección.



A	SAE 30 - SAE 30 El uso de SAE 30 a temperaturas inferiores a 4 °C (40 °F) provocará dificultades de arranque.
B	10W-30 - El uso de 10W30 a temperaturas mayores a 27 °C (80 °F) puede provocar un aumento en el consumo de aceite. Revise el nivel de aceite con mayor frecuencia.
C	5W-30
D	5W-30 sintético
E	Vanguard™ Sintético 15W-50

Símbolos de los controles del motor y sus significados

Símbolo	Significado	Símbolo	Significado
	Velocidad del motor: rápida		Velocidad del motor: lenta
	Velocidad del motor: parado		ON - OFF (ABIERTO - CERRADO)
	Arranque del motor - Estrangulador CERRADO		Arranque del motor - Estrangulador ABIERTO
	Tapa del combustible Cierre de combustible - ABIERTO		Cierre de combustible - CERRADO
	Nivel de combustible - Máximo No llene en exceso.		

Operación

Recomendaciones sobre el aceite

Capacidad de aceite Ver la sección **Especificaciones**.

AVISO

Este motor fue enviado desde Briggs & Stratton sin aceite. Los fabricantes o distribuidores de equipos pueden haber añadido aceite al motor. Antes de arrancar el motor, asegúrese de agregar aceite según las instrucciones de este manual. Si arranca el motor sin aceite, sufrirá daños irreparables que la garantía no cubrirá.

Recomendamos el uso de aceites Briggs & Stratton con garantía certificada para un mejor rendimiento. Otros aceites detergentes de alta calidad son aceptables si están clasificados para servicio SF, SG, SH, SJ o superior. No use aditivos especiales.

Verificación del nivel de aceite

Vea la figura: 4, 5

Antes de aprovisionar con aceite o de comprobar el nivel de aceite

- Asegúrese de que el motor esté nivelado.
- Limpie todos los desechos del área de llenado de aceite.

Llenado de aceite, si está equipado

1. Retire la tapa de llenado de aceite (A, Figura 4).
2. Si el nivel es bajo, agregue aceite lentamente en el llenado de aceite del motor (B, Figura 4). Llene hasta el punto de desbordamiento.
3. Vuelva a instalar y ajuste la tapa de llenado de aceite (A, Figura 4).

Varilla de nivel corta, si tiene

1. Retire la varilla indicadora de nivel (C, Figura 4) y límpiela con un paño limpio.
2. Instale la varilla indicadora de nivel (C, Figura 4). **No la gire ni apriete.**
3. Retire la varilla y verifique el nivel de aceite. El nivel de aceite debe estar en la parte superior del indicador de lleno (D, Figura 4) en la varilla indicadora de nivel.
4. Si el nivel es bajo, agregue aceite lentamente en el llenado de aceite del motor (B, Figura 4). Llene hasta el punto de desbordamiento.
5. Vuelva a instalar y ajuste la varilla indicadora de nivel de aceite (C, Figura 4).

Varilla de nivel extendida, si tiene:

1. Retire la varilla indicadora de nivel (A, Figura 5) y límpiela con un paño limpio.
2. Instale y ajuste la varilla indicadora de nivel (A, Figura 5).
3. Retire la varilla y verifique el nivel de aceite. El nivel de aceite debe estar en la parte superior del indicador de lleno (B, Figura 5) de la varilla indicadora de nivel de aceite.
4. Si el nivel es bajo, agregue aceite lentamente en el llenado de aceite del motor (C, Figura 5). **No llene en exceso.** Después de añadir aceite, espere un minuto y luego vuelva a verificar el nivel de aceite.
5. Vuelva a instalar y ajuste la varilla indicadora de nivel de aceite (A, Figura 5).

Sistema de protección contra bajo nivel de aceite (si está equipado)

Algunos motores vienen equipados con un sensor de bajo nivel de aceite. Si el nivel de aceite está bajo, el sensor activará una luz de advertencia o detendrá el motor. Pare el motor y siga estos pasos antes de volver a arrancarlo.

- Asegúrese de que el motor esté nivelado.
- Controle el nivel de aceite. Consulte la sección **Comprobación del nivel de aceite**.
- Si el nivel de aceite está bajo, agregue la cantidad adecuada de aceite. Arranque el motor y asegúrese de que la luz de advertencia (si tiene) no esté activada.
- Si el nivel de aceite no está bajo, no arranque el motor. Para hacer corregir el problema del aceite, póngase en contacto con un distribuidor de servicio autorizado de Briggs & Stratton.

Recomendaciones de combustible

El combustible debe cumplir con los siguientes requisitos:

- Gasolina limpia y nueva, sin plomo.
- Un mínimo de 87 octanos/87 AKI (91 RON). Para uso en lugares elevados, ver a continuación.
- Gasolina con hasta un 10% de etanol (gasohol) es aceptable.

AVISO No use gasolinas no aprobadas, tales como E15 y E85. No mezcle aceite en la gasolina ni modifique el motor para que funcione con combustibles alternativos. El uso de combustibles no aprobados dañará a los componentes del motor, los que no estarán cubiertos bajo la garantía.

Para proteger el sistema de combustible contra la formación de goma, mézclele un estabilizador de combustible al combustible. Vea **Almacenaje**. Todos los combustibles no son iguales. Si ocurren problemas de desempeño o en el arranque, cambie de proveedor de combustible o de marca. El funcionamiento de este motor con gasolina está certificado. El sistema de control de emisiones de este motor es EM (Modificaciones del Motor).

Gran altitud

En alturas de más de 5.000 pies (1524 metros), una gasolina con un mínimo de 85 octano/85 AKI(89 RON) es aceptable.

Para motores carburados es necesario el ajuste para gran altitud a fin de conservar el rendimiento. El funcionamiento sin este ajuste genera una disminución del rendimiento, un aumento del consumo de combustible y un incremento en las emisiones. Para obtener información sobre el ajuste de alta altitud, póngase en contacto con un distribuidor de servicio autorizado de Briggs & Stratton. No se recomienda operar el motor a alturas inferiores a los 762 metros (2500 pies) con el ajuste para gran altura.

Para los motores de con inyección electrónica de combustible (EFI), no es necesario ningún ajuste para gran altitud.

Cómo agregar combustible

Vea la figura: 6



ADVERTENCIA

El combustible y sus vapores son extremadamente inflamables y explosivos.

Un incendio o una explosión pueden causar graves quemaduras o la muerte.

Al agregar combustible

- Apague el motor y deje que se enfríe por lo menos 2 minutos antes de remover la tapa del combustible.
 - Llene el tanque de combustible en exteriores o en un área bien ventilada.
 - No llene excesivamente el tanque de combustible. Para permitir la expansión del combustible no llene por encima de la parte inferior del cuello del tanque de combustible.
 - Mantenga el combustible alejado de chispas, llamas abiertas, testigos piloto, fuentes de calor y otras fuentes de encendido.
 - Compruebe con frecuencia si existen grietas o fugas en las mangueras de combustible, el tanque, la tapa y en los accesorios. Cámbielos si es necesario.
 - Si se derramó combustible, espere hasta que se haya evaporado antes arrancar el motor.
1. Limpie la tierra y la suciedad del área de la tapa del combustible. Retire la tapa del combustible.
 2. Llene el tanque de combustible (A, Figura 6) con combustible. Para permitir la expansión del combustible no llene por encima de la parte inferior del cuello del tanque de combustible (B).
 3. Re-instale la tapa de combustible.

Arranque y parada del motor

Vea la figura: 7, 8

Arranque del motor



ADVERTENCIA

La retracción rápida de la cuerda de arranque (contragolpe) le halará la mano y el brazo hacia el motor más rápido de lo que usted la pueda dejar ir.

Podrían ocasionarse roturas de huesos, fracturas, moretones o torceduras.

- Cuando arranque el motor, tire lentamente de la cuerda hasta sentir resistencia y, a continuación, tire rápidamente de ella para evitar su retroceso.



ADVERTENCIA

El combustible y sus vapores son extremadamente inflamables y explosivos.

Un incendio o una explosión pueden causar graves quemaduras o la muerte.

Cuando le de arranque al motor

- Asegúrese de que la bujía, el silenciador, la tapa del combustible y el purificador de aire (si tiene) estén colocados de modo seguro en su lugar.
- No haga girar el motor si retiró la bujía.
- Si el motor se inunda, ajuste el estrangulador (si está equipado) en la posición OPEN/RUN, coloque el acelerador (si está equipado) en la posición FAST y haga girar el motor hasta que arranque.



ADVERTENCIA

PELIGRO DE GAS TÓXICO. El escape del motor contiene monóxido de carbono, un gas tóxico que puede matar en minutos. NO puede verlo, es inodoro e insípido. Incluso si no huele los gases del escape, puede estar expuesto al monóxido de carbono. Si comienza a sentirse mareado o débil cuando utiliza este producto, apáguelo y tome aire fresco INMEDIATAMENTE. Consulte a un médico. Puede haberse intoxicado con monóxido de carbono.

- Opere este producto SOLAMENTE al aire libre, lejos de ventanas, puertas y ventilaciones, para reducir el riesgo de que el monóxido de carbono se acumule y pueda circular a espacios habitados.
- Instale alarmas de monóxido de carbono con baterías o enchufe (con batería de respaldo) siguiendo las instrucciones del fabricante. Las alarmas de humo no pueden detectar el monóxido de carbono.
- NO opere este producto dentro de hogares, garajes, sótanos, espacios reducidos, cobertizos u otros espacios parcialmente cerrados, incluso si usa ventiladores o deja las puertas y ventanas abiertas. El monóxido de carbono se puede acumular rápidamente en estos espacios y puede permanecer durante horas, incluso después de que se apaga este producto.
- SIEMPRE coloque este producto en la dirección del viento y apunte el escape del motor lejos de espacios habitados.

AVISO Este motor fue enviado desde Briggs & Stratton sin aceite. Antes de arrancar el motor, asegúrese de agregar aceite según las instrucciones de este manual. Si arranca el motor sin aceite, sufrirá daños irreparables que la garantía no cubrirá.

Nota: El equipo puede tener controles remotos. Consulte el manual del equipo para conocer la ubicación y el funcionamiento de los controles remotos.

1. Verifique el nivel de aceite en el motor. Consulte la sección **Comprobación del nivel de aceite**.
2. Asegúrese que los controles de transmisión del equipo, si están equipados, estén desconectados.
3. Mueva la válvula de cierre de combustible (A, Figura 7) a la posición abierta (OPEN).
4. Mueva el control del acelerador (C, Figura 7), si tiene, a la posición de velocidad rápida. Opere el motor en la posición de velocidad rápida (FAST).
5. Mueva el control del estrangulador (B, Figura 7) a la posición de estrangulador (CHOKE).

Nota: Generalmente no es necesario el estrangulador para volver a arrancar un motor caliente.

6. Mueva el interruptor de parada (D, Figura 7), si tiene, a la posición de encendido (ON).
7. **Arranque por rebobinado, si está equipado:** Sostenga firmemente la manija de la cuerda de arranque (E, Figura 7). Tire lentamente de la cuerda de arranque hasta sentir una resistencia y, a continuación, tire de ella rápidamente.



ADVERTENCIA

La retracción rápida de la cuerda de arranque (retroceso violento) le halará la mano y el brazo hacia el motor antes de que pueda soltarla. Podrían ocasionarse roturas de huesos, fracturas, moretones o torceduras. Cuando arranque el motor, tire lentamente de la cuerda hasta sentir resistencia y, a continuación, tire rápidamente de ella para evitar su retroceso.

8. **Arranque eléctrico, si tiene llave de seguridad (F):** Empuje la llave de seguridad (F, Figura 7). Oprima el interruptor de arranque unos instantes (G). Cuando el motor arranque, suelte el interruptor.
9. **Arranque eléctrico, si tiene llave de seguridad automatizada (H):** Gire el interruptor de llave (H, Figura 8) a la posición de arranque (START). Cuando el motor arranque, suelte el interruptor de llave.

AVISO Para prolongar la vida del arranque, utilice ciclos de arranque cortos (máximo de cinco segundos). Espere un minuto entre ciclos de arranque.

10. A medida que se caliente el motor, mueva el control del estrangulador (B, Figura 7) a la posición de funcionamiento (RUN).

Nota: Si el motor no arranca después de varios intentos, vaya a **BRIGGSandSTRATTON.com**, comuníquese con su distribuidor local o llame al **1-800-233-3723** (en EE. UU.).

Parada del motor



ADVERTENCIA

El combustible y sus vapores son extremadamente inflamables y explosivos.

Un incendio o una explosión pueden causar graves quemaduras o la muerte.

- No estrangule el carburador para detener el motor
1. **Control del acelerador, si tiene:** Mueva la palanca de control del acelerador (C, Figura 7) a la posición lenta (SLOW) y luego a la posición de parada (STOP).
Suiche de parada, si tiene: Mueva el interruptor de parada (D, Figura 7) a la posición de parada.
Llave de seguridad, si está equipado: Retire la llave de seguridad (F, Figura 7) y guárdela en un lugar seguro fuera del alcance de los niños.
Suiche de parada, si tiene: Gire el interruptor de llave (H, Figura 8) a la posición de apagado (OFF). Retire la llave y guárdela en un lugar seguro fuera del alcance de los niños.
 2. Una vez que se detenga el motor, mueva la válvula de cierre de combustible (A, Figura 7) a la posición cerrada.

Mantenimiento

AVISO Si el motor se inclina durante el mantenimiento, el tanque de combustible, si está montado en el motor, se debe vaciar y el lado de la bujía debe estar hacia arriba. Si el tanque de combustible no está vacío y si el motor se inclina en cualquier otra dirección, puede resultar difícil arrancarlo debido a que el aceite o la gasolina contaminan el filtro de aire o la bujía.



ADVERTENCIA

Al realizar trabajos de mantenimiento que requieran inclinar la unidad, el tanque de combustible, si está montado en el motor, debe estar vacío o podría haber una fuga de combustible y generar un incendio o una explosión.

Le recomendamos que consulte a cualquier distribuidor autorizado de Briggs & Stratton para el mantenimiento y reparación del motor y para obtener piezas del motor.

AVISO Todos los componentes utilizados para construir este motor deben permanecer en su lugar para su correcto funcionamiento.



ADVERTENCIA

Un chispeo involuntario puede producir un incendio o una descarga eléctrica.

Una puesta en marcha involuntaria puede causar enredos, amputaciones traumáticas o laceraciones.

Peligro de incendio

Antes de hacer ajustes o reparaciones:

- Desconecte el cable de la bujía y manténgalo lejos de la bujía.
- Desconecte la batería en la terminal negativa (únicamente motores con arranque eléctrico).
- Use solamente las herramientas correctas.
- No manipule el resorte del regulador, las conexiones u otras piezas para aumentar la velocidad del motor.
- Las piezas de repuesto deben ser del mismo diseño y deben ser instaladas en la misma posición que las piezas originales. Otras piezas pueden no funcionar igual de bien, pueden dañar la unidad, y pueden causar lesiones.
- No golpee el volante con un martillo o un objeto duro, porque el volante más tarde puede romperse durante la operación.

Cuando compruebe chispa:

- Use un comprobador de bujías aprobado.
- No haga las pruebas de chispa sin la bujía en su lugar.

Servicio de control de emisiones

Cualquier establecimiento o individuo especializado en la reparación de motores que no sean de automoción puede encargarse del mantenimiento, la sustitución y la reparación de los dispositivos y sistemas de control de emisiones. Sin embargo, para recibir el servicio de control de emisiones "sin cargo", debe realizarlo un distribuidor autorizado por la fábrica. Ver Declaraciones de Control de Emisiones.

Plan de mantenimiento

Las Primeras 5 horas
<ul style="list-style-type: none"> • Cambie el aceite
Cada 8 Horas o diariamente
<ul style="list-style-type: none"> • Compruebe el nivel del aceite del motor • Limpie el área alrededor del mofle y los controles • Limpie la rejilla de admisión de aire
Cada 25 horas o anualmente
<ul style="list-style-type: none"> • Limpie el filtro de aire ¹ • Limpie el pre-filtro (si está equipado) ¹
Cada 50 horas o anualmente
<ul style="list-style-type: none"> • Cambie el aceite del motor • Realice el mantenimiento del sistema de escape
Cada 100 horas
<ul style="list-style-type: none"> • Cambie el aceite de la unidad reductora (si tiene)
Anualmente
<ul style="list-style-type: none"> • Sustituya la bujía • Sustituya el filtro de aire • Reemplace el pre-filtro (si está equipado) • Cambie el filtro de aceite (si está equipado) • Realice el mantenimiento del sistema de combustible • Realice el mantenimiento del sistema de enfriamiento ¹ • Verifique el espacio libre de la válvula ²

¹ Limpie con mayor frecuencia en condiciones de mucho polvo o cuando el aire contenga muchas partículas.

² No se requiere a menos que se detecten problemas de desempeño en el motor.

Velocidad del motor y carburador

Nunca realice ajustes a la velocidad del motor o carburador. El carburador ha sido calibrado en la fábrica para funcionar de manera óptima en la mayoría de las condiciones de uso. No interfiera con el resorte del regulador, las varillas u otras partes a fin de modificar la velocidad del motor. Si son necesarios ajustes póngase en contacto con un Distribuidor de Servicio Autorizado de Briggs & Stratton para que le presten el servicio.

AVISO El fabricante del equipo especifica la velocidad máxima del motor como está instalado en el equipo. **No exceda esta** velocidad. Si no está seguro de cuál es la velocidad máxima del equipo, o cuál era la velocidad del motor ajustada en la fábrica, póngase en contacto con un Distribuidor de Servicio Autorizado de Briggs & Stratton para obtener ayuda. Para un funcionamiento seguro y adecuado del equipo, la velocidad del motor debe ser ajustada solamente por un técnico de servicio calificado.

Revisión de la bujía

Vea la figura: 9

Revise el entre-hierro (A, Figura 9) con un calibrador de alambre (B). Si es necesario, vuelva a establecer la distancia. Instale y ajuste la bujía al par recomendado. Para el ajuste del entre-hierro o el par de apriete, consulte la sección **Especificaciones**.

Nota: En algunas áreas, las leyes locales requieren el uso de una bujía con resistencia para suprimir las señales de encendido. Si este motor vino originalmente equipado con una bujía con resistencia, use el mismo tipo de bujía cuando la reemplace.

Realice el mantenimiento del sistema de escape



ADVERTENCIA

El funcionamiento de los motores produce calor. Las partes de los motores, especialmente el silenciador, se calientan demasiado.

Pueden ocurrir graves quemaduras a causa de su contacto.

Desechos combustibles, tal como hojas, grama, maleza, etc. pueden alcanzar a encenderse.

- Deje que el silenciador, el cilindro y las aletas del motor se enfríen antes de tocarlos.
- Extraiga los desechos acumulados en el área del silenciador y en el área del cilindro.
- Es una violación del Código de Recursos Públicos de California, Sección 4442, utilizar u operar el motor en cualquier espacio con árboles, maleza o grama a menos que el sistema de escape esté equipado con un extintor de chispas, como lo define la Sección 4442, mantenido en correcto funcionamiento. Otros estados o jurisdicciones federales pueden tener leyes similares. Póngase en contacto con el vendedor, el distribuidor o el fabricante del equipo original para obtener un extintor de chispas diseñado para el sistema de escape instalado en este motor.

Extraiga los desechos acumulados en el área del silenciador y en el área del cilindro. Inspeccione el silenciador en busca de grietas, corrosión u otros daños. Quite el deflector o el extintor de chispas (B), si tiene, e inspecciónelo para ver si hay daños o bloqueo de carbono. Si se detecta algún daño, instale las piezas de repuesto antes de poner el motor en funcionamiento.



ADVERTENCIA

Las piezas de repuesto deben ser del mismo diseño y deben ser instaladas en la misma posición que las piezas originales. Otras piezas pueden no funcionar igual de bien, pueden dañar la unidad, y pueden causar lesiones.

Cambio de aceite del motor

Vea la figura: 10, 11, 12

El aceite usado es un peligroso producto de desecho y debe eliminarse en forma adecuada. No lo deseche con los residuos domésticos. Consulte con sus autoridades locales, su centro de servicio, o su distribuidor para conocer las instalaciones para su disposición/reciclaje seguro.

Remoción del Aceite

1. Con el motor apagado pero aún caliente, desconecte el cable de bujía (D, Figura 10) y aléjelo de la bujía (E).
2. Retire el tapón de drenaje de aceite (F, Figura 11). Drene el aceite en un recipiente aprobado.

Nota: Cualquiera de los tapones de drenaje de aceite (G, Figura 11) se puede instalar en el motor.

3. Después de haber drenado el aceite, instale y apriete el tapón de drenaje de aceite (F, Figura 11).

Aprovisionamiento de Aceite

- Asegúrese de que el motor esté nivelado.
- Limpie todos los desechos del área de llenado de aceite.
- Consulte la **sección Especificaciones** para obtener la capacidad de aceite.

Llenado de aceite, si está equipado

1. Retire la tapa de llenado de aceite (H, Figura 11).
2. Agregue aceite lentamente en el llenado de aceite del motor (C, Figura 11). Llene hasta el punto de desbordamiento.
3. Vuelva a instalar y ajuste la tapa de llenado de aceite (H, Figura 11).
4. Conecte el cable de la bujía (D, Figura 10) a la bujía (E).

Varilla de nivel corta, si tiene

1. Retire la varilla indicadora de nivel (A, Figura 11) y límpiela con un paño limpio.
2. Agregue aceite lentamente en el llenado de aceite del motor (C, Figura 11). Llene hasta el punto de desbordamiento.
3. Instale la varilla indicadora de nivel de aceite (A, Figura 11). **No la gire ni apriete.** Retire y verifique el nivel de aceite. El nivel de aceite debe estar en la parte superior del indicador de lleno (B) de la varilla.
4. Vuelva a instalar y ajuste la varilla indicadora de nivel de aceite (A, Figura 11).
5. Conecte el cable de la bujía (D, Figura 10) a la bujía (E).

Varilla de nivel extendida, si tiene:

1. Retire la varilla indicadora de nivel (A, Figura 12) y límpiela con un paño limpio.
2. Agregue aceite lentamente en el llenado de aceite del motor (C, Figura 12). **No llene en exceso.** Después de añadir aceite, espere un (1) minuto y luego vuelva a verificar el nivel de aceite.
3. Instale y ajuste la varilla indicadora de nivel (A, Figura 12).
4. Retire y verifique el nivel de aceite. El nivel de aceite debe estar en la parte superior del indicador de lleno (B, Figura 12) de la varilla indicadora de nivel de aceite.
5. Vuelva a instalar y ajuste la varilla indicadora de nivel de aceite (A, Figura 12).
6. Conecte el cable de la bujía (D, Figura 10) a la bujía (E).

Cambie el aceite de la unidad reductora

Vea la figura: 13, 14

6:1 Unidad reductora (Figura 13)

Si su motor está equipado con una unidad reductora 6:1, haga el mantenimiento como sigue:

1. Quite el tapón de llenado de aceite (A, Figura 13) y el tapón de nivel de aceite (B).
2. Quite el tapón de drenaje de aceite (C, Figura 13) y drene el aceite en un recipiente adecuado.
3. Vuelva a instalar y ajuste el tapón de drenaje de aceite (C, Figura 13).
4. Para volver a llenar, vierta lentamente lubricante para engranajes (consulte la sección **Especificaciones**) en el orificio de llenado de aceite (D, Figura 13). Siga hasta que el aceite escape por el orificio de nivel de aceite (E).
5. Vuelva a instalar y ajuste el tapón de nivel de aceite (B, Figura 13).
6. Vuelva a instalar y ajuste el tapón de llenado de aceite (A, Figura 13).

Nota: El tapón de llenado de aceite (A, Figura 13) tiene un orificio de ventilación (F) y se debe instalar encima de la cubierta de la caja de engranajes, como se muestra.

2:1 Unidad reductora (Figura 14)

La unidad reductora de engranajes 2:1 (G, Figura 14) no requiere cambio de aceite.

Mantenimiento del filtro de aire

Vea la figura: 15, 16, 17



ADVERTENCIA

El combustible y sus vapores son extremadamente inflamables y explosivos.

Un incendio o una explosión pueden causar graves quemaduras o la muerte.

- Nunca encienda o haga funcionar el motor sin el conjunto del purificador de aire (si tiene) o el filtro de aire (si tiene).

AVISO No use aire comprimido ni solventes para limpiar el filtro. El aire comprimido puede dañar el filtro y los solventes lo disuelven.

Consulte el **Plan de mantenimiento** para conocer los requerimientos de servicio.

Varios modelos usan filtros de espuma o de papel. Algunos modelos además pueden tener un pre-purificador adicional que puede lavarse y volver a usar. Compare las ilustraciones de este manual con el tipo instalado en su motor y realice el mantenimiento como se indica a continuación.

Filtro de aire de papel

1. Afloje el(los) sujetador(es) (A, Figura 15, 16).
2. Retire la cubierta (B, Figura 15, 16).
3. Retire el pre-filtro (C, Figura 15, 16), si está equipado, y el filtro (D).
4. Golpetee el filtro contra una superficie dura (D, Figura 15, 16) para desprender los residuos. Si el filtro está excesivamente sucio, cámbielo por otro nuevo.
5. Lave el pre-filtro (C, Figura 15, 16), si está equipado, en detergente líquido y agua. Luego deje que el pre-filtro se seque al aire completamente. **No engrase el pre filtro.**
6. Monte el pre-filtro seco (C, Figura 15, 16), si está equipado, en el filtro (D) con el reborde (G) del pre-filtro en la parte inferior de los pliegues del filtro.
7. Instale el filtro (D, Figura 15, 16).
8. En los modelos equipados con el filtro de aire que se muestra en la Figura 15, inserte las pestañas de la cubierta (E) en las ranuras (F).
9. Instale la cubierta (B, Figura 15, 16) y asegure con el(los) sujetador(es) (A).

Filtro de aire de papel

1. Retire el(los) sujetador(es) (A, Figura 17).
2. Retire la cubierta (B, Figura 17).
3. Retire el pre-filtro (C, Figura 17), si está equipado, y el filtro (D).
4. Golpetee el filtro contra una superficie dura (D, Figura 17) para desprender los residuos. Si el filtro está excesivamente sucio, cámbielo por otro nuevo.
5. Retire el pre-filtro (C, Figura 17), si está equipado, del filtro (D).
6. Lave el pre-filtro (C, Figura 17), si está equipado, en detergente líquido y agua. Luego deje que el pre-filtro se seque al aire completamente. **No engrase el pre filtro.**
7. Monte el pre-filtro seco (C, Figura 17), si está equipado, en el filtro (D).
8. Instale el filtro (D, Figura 17) y el pre filtro (C), si está equipado, en la base (E) y sobre el tornillo pasante (F). Asegúrese de que el filtro se fije de forma segura sobre la base.
9. Instale la cubierta del filtro de aire (B, Figura 17) y asegure con el(los) sujetador(es) (A). Asegúrese de que todos estén bien ajustados.

Realice el mantenimiento del sistema de combustible

Vea la figura: 18, 19



ADVERTENCIA

El combustible y sus vapores son extremadamente inflamables y explosivos.

Un incendio o una explosión pueden causar graves quemaduras o la muerte.

- Mantenga el combustible alejado de chispas, llamas abiertas, testigos piloto, fuentes de calor y otras fuentes de encendido.
- Compruebe con frecuencia si existen grietas o fugas en las mangueras de combustible, el tanque, la tapa y en los accesorios. Cámbielos si es necesario.
- Antes de limpiar o reemplazar el filtro, drene el tanque de combustible o cierre la válvula de cierre de combustible.
- Si se derramó combustible, espere hasta que se haya evaporado antes arrancar el motor.

- Los repuestos deben ser los mismos e instalarse en la misma posición que las piezas originales.

Filtro de Combustible, si está equipado

1. Antes de limpiar o reemplazar el filtro de combustible (A, Figura 18), drene el tanque de combustible o cierre la válvula de cierre de combustible. De lo contrario, puede presentarse una fuga de combustible y causar un incendio o una explosión.
2. Use pinzas para agarrar las pestañas (B, Figura 18) sobre las abrazaderas (C), luego aleje las abrazaderas del filtro de combustible (A). Retire las mangueras de combustible (C) del filtro de combustible.
3. Inspeccione las líneas de combustible (D, Figura 18) en busca de grietas o fugas. Cámbielos si es necesario.
4. Reemplace el filtro de combustible (A, Figura 18) con un filtro de repuesto genuino.
5. Asegure las líneas de combustible (D, Figura 18) con abrazaderas (C) como se muestra.

Filtro de Combustible, si está equipado

1. Quite la tapa del combustible (A, Figura 19).
2. Quite el colador del combustible (B, Figura 19).
3. Si el colador del combustible está sucio, límpielo o reemplácelo. Si reemplaza el colador del combustible, asegúrese de usar un filtro de combustible de reemplazo original para el equipo.

Mantenimiento del sistema de enfriamiento



ADVERTENCIA

El funcionamiento de los motores produce calor. Las partes de los motores, especialmente el silenciador, se calientan demasiado.

Pueden ocurrir graves quemaduras a causa de su contacto.

Los desechos combustibles, tal como hojas, grama, maleza, etc. se pueden encender.

- Deje que el silenciador, el cilindro y las aletas del motor se enfríen antes de tocarlos.
- Extraiga los desechos acumulados en el área del silenciador y en el área del cilindro.

AVISO No use agua para limpiar el motor. El agua puede contaminar el sistema de combustible. Use un cepillo o un paño húmedo para limpiar el motor.

El motor es refrigerado por aire. La suciedad o los desechos pueden limitar el flujo de aire y provocar que el motor se sobrecaliente, lo cual disminuye su rendimiento y su vida útil.

1. Utilice un cepillo o paño seco para remover los desechos del área de la admisión de aire.
2. Mantenga las conexiones, los resortes y los controles limpios.
3. Elimine los restos de combustible de la zona de alrededor y de la parte posterior del silenciador.
4. Asegúrese de que las aletas del enfriador de aceite, si tiene, no presenten suciedad ni residuos.

Después de un período de tiempo, se pueden acumular residuos en las aletas de enfriamiento del cilindro y causar el sobrecalentamiento del motor. Los residuos no se pueden eliminar mientras no se desmonte parcialmente el motor. Solicite a un distribuidor autorizado de Briggs & Stratton que inspeccione y limpie el sistema de enfriamiento de aire según las recomendaciones del **Plan de mantenimiento**.

Almacenamiento



ADVERTENCIA

El combustible y sus vapores son extremadamente inflamables y explosivos.

El fuego o la explosión pueden causar quemaduras graves o la muerte.

Cuando almacene el combustible o el equipo con combustible en el tanque

- Almacene lejos de hornos, estufas, calentadores de agua u otros aparatos que utilicen testigos piloto u otras fuentes de encendido ya que estos pueden encender los vapores combustibles.

Sistema de combustible

Consulte la figura: 20

Almacene el nivel del motor (posición de operación normal). Llene el tanque de combustible (A, Figura 20) con combustible. Para permitir que el combustible se expanda, no llene el tanque por encima de la parte inferior del cuello del tanque de combustible (B).

El combustible puede echarse a perder si se almacena durante más de 30 días. El combustible en mal estado provoca la formación de depósitos de ácido y goma en el sistema de combustible o en piezas esenciales del carburador. Para mantener el combustible fresco, utilice el **estabilizador y tratamiento de combustible con fórmula avanzada de Briggs & Stratton**, disponible en los lugares de venta de piezas de servicio originales de Briggs & Stratton.

No es necesario vaciar la gasolina del motor si se añade estabilizador de combustible conforme a las instrucciones. Haga funcionar el motor durante dos (2) minutos para que el estabilizador circule por todo el sistema de combustible antes del almacenamiento.

Si no se ha agregado un estabilizador de combustible a la gasolina en el motor, deberá vaciarla completamente en un recipiente aprobado. Haga funcionar el motor hasta que se detenga por falta de combustible. Se recomienda usar un estabilizador de combustible en el recipiente de almacenamiento para mantener el combustible en perfecto estado.

Aceite del Motor

Cambie el aceite del motor mientras que el motor se encuentre todavía caliente. Consulte la sección **Cambio de aceite del motor**.

Resolución de problemas

Para obtener ayuda, comuníquese con su distribuidor local o vaya a **BRIGGSandSTRATTON.com** o llame al **1-800-233-3723** (en EE. UU.).

Especificaciones

Modelo: 120000	
Desplazamiento	12.48 ci (205 cc)
Diámetro Interno del Cilindro	2.688 in (65,28 mm)
Carrera	2.200 in (55,88 mm)
Capacidad de Aceite	18 - 20 oz (,54 - ,59 L)
Tipo de aceite para reducción de vel. de engranajes	80W-90
Capacidad de aceite para reducción de vel. de engranajes	4 oz (0,12 L)
Entrehierro de la Bujía	.030 in (,76 mm)
Torque de la Bujía	180 lb-in (20 Nm)
Entrehierro Inducido	.010 - .014 in (,25 - ,36 mm)
Tolerancia de la Válvula de Admisión	.004 - .006 in (,10 - ,15 mm)
Tolerancia de la Válvula de Escape	.009 - .011 in (,23 - ,28 mm)

Modelo: 150000	
Desplazamiento	15.24 ci (250 cc)
Diámetro Interno del Cilindro	2.970 in (75,44 mm)
Carrera	2.200 in (55,88 mm)
Capacidad de Aceite	18 - 20 oz (,54 - ,59 L)
Tipo de aceite para reducción de vel. de engranajes	80W-90
Capacidad de aceite para reducción de vel. de engranajes	4 oz (0,12 L)
Entrehierro de la Bujía	.030 in (,76 mm)
Torque de la Bujía	180 lb-in (20 Nm)
Entrehierro Inducido	.010 - .014 in (,25 - ,36 mm)
Tolerancia de la Válvula de Admisión	.004 - .006 in (,10 - ,15 mm)
Tolerancia de la Válvula de Escape	.009 - .011 in (,23 - ,28 mm)

Modelo: 200000	
Desplazamiento	15.63 ci (305 cc)
Diámetro Interno del Cilindro	3.120 in (79,24 mm)
Carrera	2.438 in (61,93 mm)

Modelo: 200000	
Capacidad de Aceite	26 - 28 oz (,77 - ,83 L)
Tipo de aceite para reducción de vel. de engranajes	SAE 30
Capacidad de aceite para reducción de vel. de engranajes	12 oz (,35 L)
Entrehierro de la Bujía	.030 in (,76 mm)
Torque de la Bujía	180 lb-in (20 Nm)
Entrehierro Inducido	.008 - .012 in (,20 - ,30 mm)
Tolerancia de la Válvula de Admisión	.004 - .006 in (,10 - ,15 mm)
Tolerancia de la Válvula de Escape	.004 - .006 in (,10 - ,15 mm)

Modelo: 210000	
Desplazamiento	20.85 ci (342 cc)
Diámetro Interno del Cilindro	3.300 in (83,81 mm)
Carrera	2.438 in (61,93 mm)
Capacidad de Aceite	26 - 28 oz (,77 - ,83 L)
Tipo de aceite para reducción de vel. de engranajes	SAE 30
Capacidad de aceite para reducción de vel. de engranajes	12 oz (,35 L)
Entrehierro de la Bujía	.030 in (,76 mm)
Torque de la Bujía	180 lb-in (20 Nm)
Entrehierro Inducido	.008 - .012 in (,20 - ,30 mm)
Tolerancia de la Válvula de Admisión	.004 - .006 in (,10 - ,15 mm)
Tolerancia de la Válvula de Escape	.004 - .006 in (,10 - ,15 mm)

La potencia del motor se reducirá un 3.5% por cada 300 metros (1000 pies) de altitud sobre el nivel del mar y un 1% por cada 5.6 °C (10 °F) por encima de 25 °C (77 °F). El funcionamiento del motor será satisfactorio hasta un ángulo de inclinación de 15°. Refiérase al manual del operador del equipo para obtener información acerca de los límites de operación seguros permitidos en pendientes.

Piezas de servicio - Modelo: 120000, 150000, 200000, 210000	
Parte de Servicio	Numero de parte
Filtro de aire plano	491588, 5043
Pre-filtro de filtro de aire plano	493537, 5064
Filtro de aire oval (Modelos 120000, 150000)	697029, 5059
Pre-filtro de filtro de aire oval (Modelos 120000, 150000)	273356
Filtro de aire oval (Modelos 200000, 210000)	695302
Pre-filtro de filtro de aire oval (Modelos 200000, 210000)	695303
Filtro de combustible	694485
Tratamiento y Estabilización de Combustible de Fórmula Avanzada	100117, 100120
Bujía con Resistencia	491055
Bujía de platino de larga duración	5066
Llave de Bujía	89838, 5023
Probador de Chispa	19368

Le recomendamos que consulte a cualquier distribuidor autorizado de Briggs & Stratton para el mantenimiento y reparación del motor y para obtener piezas del motor.

Potencia nominal: La calificación de potencia bruta para los modelos de motor de gasolina individual está designada conforme al código SAE (Sociedad de Ingenieros Automotrices) J1940. Procedimiento de calificación de potencia y torsión para motores pequeños, y SAE J1995. Los valores de torsión se derivan a 2600 r. p. m. en el caso de los motores con las "r. p. m." indicadas en la etiqueta y a 3060 r. p. m. en todos los otros casos; los valores de potencia en caballos de fuerza se derivan a 3600 r. p. m. Las curvas de potencia bruta se pueden ver en www.BRIGGSandSTRATTON.COM. Los valores de potencia neta se obtienen con un filtro de aire y escape instalado, mientras que los valores de potencia bruta se recopilan sin estos accesorios. La potencia bruta real del motor es inferior y depende, entre otros factores, de las condiciones ambientales de uso y de las variaciones entre distintos motores del mismo modelo. Dada la amplia gama de productos donde se colocan los motores, el motor de gasolina puede no desarrollar la potencia bruta nominal cuando se usa en una pieza del equipo de potencia determinada. Esta diferencia se debe,

entre otros, a los siguientes factores: accesorios (filtro de aire, escape, carga, refrigeración, carburador, bomba de combustible, etc.), limitaciones de la aplicación, condiciones ambientales de uso (temperatura, humedad, altitud) y variaciones entre distintos motores de un mismo modelo. Debido a limitaciones de fabricación y capacidad, Briggs & Stratton puede sustituir un motor de una potencia nominal mayor por un motor de esta serie.

Garantía

Garantía para motores Briggs & Stratton

Vigente a partir de enero de 2017

Garantía limitada

Briggs & Stratton garantiza que, durante el período de garantía especificado a continuación, reparará o reemplazará, sin cargo, cualquier pieza defectuosa en cuanto a material, mano de obra o ambos. Los gastos de transporte del producto sometido a reparación o cambio conforme a garantía deben ser abonados por el comprador. Esta garantía se mantiene vigente durante los períodos de tiempo indicados a continuación y está sujeta a dichos períodos y a las condiciones presentadas a continuación. Para servicio de garantía, localice al distribuidor de servicio autorizado más cercano en nuestro mapa de localización de distribuidores en BRIGGSandSTRATTON.COM. El comprador debe ponerse en contacto con el distribuidor de servicio autorizado y entregarle el producto para la inspección y prueba.

No existe ninguna otra garantía explícita. Las garantías implícitas, incluidas las de comerciabilidad y aptitud para una finalidad específica, están limitadas al período de garantía mencionado a continuación, o en la medida que lo permita la ley. La responsabilidad de daños fortuitos o consecuentes queda excluida en la medida que dicha exclusión esté permitida por ley. Algunos estados o países no contemplan limitaciones en cuanto a la duración de una garantía implícita, y otros estados o países no permiten la exclusión o limitación de daños consecuentes o incidentales, en cuyo caso la limitación y la exclusión anteriores pueden no ser aplicables para usted. Esta garantía le da derechos legales específicos, pudiendo tener a su vez otros derechos que varían de un estado a otro o de un país a otro ⁴.

Condiciones de garantía estándar 1, 2, 3

Marca / Nombre del producto	Uso privado	Uso Comercial
	Vanguard™; Serie comercial	36 meses
Motores con Manga de Fundición Dura-Bore™	24 meses	12 meses
Todos los demás motores	24 meses	3 meses

¹ Estos son nuestros términos estándares de garantía, pero ocasionalmente puede haber una cobertura de garantía adicional no determinada en el momento de la publicación. Para obtener una lista de los términos actuales de garantía para su motor, vaya a BRIGGSandSTRATTON.com o contáctese con el distribuidor de servicio autorizado de Briggs & Stratton.

² No existe garantía para motores en equipos utilizados como fuente primaria de energía en lugar de un servicio público o para generadores de reserva utilizados para fines comerciales. Los motores usados en carreras competitivas o en camiones comerciales o de alquiler no están cubiertos por la garantía.

³ Vanguard instalado en generadores de reserva: Uso de 24 meses para consumidor, sin garantía para uso comercial. Vanguard instalado en vehículos utilitarios: Uso de 24 meses para consumidor, uso comercial de 24 meses. Serie comercial con fecha de fabricación previa a julio de 2017, uso de 24 meses para consumidor, uso comercial de 24 meses.

⁴ En Australia - Nuestros productos vienen con garantías que no se pueden excluir bajo la Ley australiana de protección al consumidor. Usted tiene derecho a una sustitución o a un reembolso por una avería importante y a compensación por cualquier otra pérdida o daño razonablemente previsible. También tiene derecho a una reparación o sustitución de productos si estos no son de una calidad aceptable y la avería no asciende a una avería más importante. Para obtener el servicio de garantía, busque al distribuidor de servicio autorizado más cercano en el mapa localizador de distribuidores en BRIGGSandSTRATTON.COM o llamando al 1300 274 447, o mediante un correo electrónico o carta a salesenquiries@briggsandstratton.com.au, Briggs & Stratton Australia Pty Ltd., 1 Moorebank Avenue, Moorebank, NSW, Australia, 2170.

El período de garantía comienza en la fecha original de compra por parte del primer consumidor minorista o comercial. "Uso privado" significa uso doméstico personal por parte de un consumidor final. "Uso comercial" significa todos los demás usos, incluidos los usos con fines comerciales, de generación de ingresos o alquiler. Una vez que el motor haya experimentado uso comercial, será considerado en adelante como motor de uso comercial a los fines de esta garantía.

Guarde su recibo de compra. Si no aporta constancia de la fecha de compra inicial al solicitar el servicio de garantía, se tomará la fecha de fabricación del producto para determinar el período de garantía. No se requiere el registro de producto para obtener servicio de garantía en los productos de Briggs & Stratton.

Acerca de su Garantía

Esta garantía limitada cubre únicamente problemas de materiales y/o mano de obra asociados al motor, y no la sustitución o el reembolso del equipo en el que el motor puede estar montado. El mantenimiento de rutina, la puesta a punto, los ajustes o el desgaste normal no están cubiertos bajo esta garantía. Asimismo, la garantía queda anulada si el motor ha sido alterado o modificado o si el número de serie del motor ha sido desfigurado o eliminado. Esta garantía no cubre daños al motor o problemas de desempeño causados por:

1. El uso de piezas que no son piezas originales Briggs & Stratton;
2. El funcionamiento del motor con aceite lubricante insuficiente, contaminado o de grado incorrecto;
3. El uso de combustible o gasolina contaminados o vencidos formulados con más del 10 % de etanol, o el uso de combustibles alternativos, tales como petróleo licuado o gas natural en motores no originalmente diseñados/fabricados por Briggs & Stratton para funcionar con dichos combustibles;
4. Suciedad que ingresa al motor debido a mantenimiento incorrecto del filtro de aire o reensamblaje;
5. Golpear un objeto con la cuchilla de corte de un cortacésped rotativo, adaptadores de cuchilla, hélices u otros dispositivos acoplados de cigüeñal o tirantez excesiva de la correa en V;
6. Piezas o ensambles asociados, tales como embragues, transmisiones, controles de equipos, etc., no suministrados por Briggs & Stratton;
7. Sobre calentamiento debido a pasto cortado, suciedad y detritos o nidos de roedores que obstruyan o tapen las aletas de refrigeración o el área del volante, o hacer funcionar el motor sin ventilación suficiente;
8. Vibración excesiva debido a velocidad excesiva, montaje flojo del motor, cuchillas de corte o hélices flojos o desequilibrados, o acoplado incorrecto de componentes del equipo al cigüeñal;
9. Uso incorrecto, falta de mantenimiento de rutina, transporte, manipulación o almacenamiento de los equipos, o instalación incorrecta del motor.

El servicio de garantía solo está disponible a través de los distribuidores de servicio autorizados de Briggs & Stratton. Ubique a su Distribuidor de Servicio Autorizado en nuestro mapa localizador de distribuidores en BRIGGSandSTRATTON.COM o llame al 1-800-233-3723 (en EE.UU.).

80004537 (Rev. C)

Garantía sobre emisiones de Briggs & Stratton

Declaración de garantía sobre el control de emisiones de la EPA de EE. UU. y Briggs & Stratton Corporation Sus derechos y obligaciones bajo la garantía

Para los modelos de motores Briggs & Stratton con designación de versión "F" (Modelo-Tipo Representación de versión xxxxxx xxxx Fx)

La Junta de Recursos del Aire de California (California Air Resources Board), la EPA de EE.UU. y Briggs & Stratton (B&S) se complacen en explicar la garantía del sistema de control de emisiones de su modelo de motor / equipo de los años 2017-2019. En California, los nuevos motores pequeños todo terreno y los grandes motores de encendido por chispa de 1.0 litro o menos deben estar designados, construidos y equipados conforme a las estrictas normas estatales contra la contaminación. B&S está obligado a garantizar el sistema de control de emisiones de su motor/equipo durante los períodos que se indican a continuación, siempre y cuando no haya habido abuso, negligencia o mantenimiento inadecuado de su motor/equipo.

Su sistema de control de emisiones de escape puede incluir piezas tales como el carburador o el sistema de inyección de combustible, el sistema de encendido y el convertidor catalítico. También pueden estar incluidas las mangueras, correas, conectores, sensores y otros conjuntos relacionados con las emisiones. Su sistema de control de emisiones evaporatorias puede incluir piezas como: carburadores, tanques de combustible, mangueras de combustible, tapas de combustible, válvulas, recipientes, filtros, mangueras de vapor, abrazaderas, conectores y otros componentes asociados.

Donde exista una condición cubierta por la garantía, B&S reparará su motor/equipo sin costo alguno, incluido el diagnóstico, las piezas y la mano de obra.

Cobertura de la garantía del fabricante:

Los motores pequeños todo terreno y los grandes motores de encendido por chispa de 1.0 litro o menos, y todos los componentes del equipo relacionados con las emisiones, están cubiertos por la garantía de dos años, o por el período indicado en la declaración de garantía del motor o del producto correspondiente, donde prevalecerá el plazo que sea mayor. Si cualquier pieza relacionada con las emisiones en su motor/equipo resulta defectuosa, la pieza será reparada o sustituida por B&S.

Responsabilidades del propietario bajo la garantía:

- Como propietario del motor/equipo, usted es responsable de la realización del mantenimiento necesario indicado en el Manual del operador. B&S recomienda que

guarde todos los recibos que cubren el mantenimiento de su motor/equipo, pero B&S no puede negar la garantía únicamente debido a la falta de recibos o a su imposibilidad de garantizar la realización de todo el mantenimiento programado.

- Como propietario del motor/equipo, usted debe ser consciente de que B&S puede negarle la cobertura de la garantía si su motor/equipo o una pieza de este ha fallado debido a abuso, negligencia, mantenimiento inadecuado o modificaciones no autorizadas.
- Usted es responsable de presentar su motor/equipo en un centro de distribución, concesionario de servicio u otra entidad equivalente de B&S, según sea el caso, tan pronto como se presente el problema. Las reparaciones bajo la garantía deben completarse en un período de tiempo razonable y no superior a 30 días. Si tiene alguna pregunta con respecto a sus derechos y responsabilidades bajo la garantía, debe ponerse en contacto con B&S llamando al 1-800-444-7774 (en EE. UU.) o visitando el sitio BRIGGSandSTRATTON.COM.

Disposiciones para Garantía sobre control de emisiones de Briggs & Stratton

Las siguientes son disposiciones específicas relacionadas con la Cobertura de la garantía sobre control de emisiones. Esto es adicional a la garantía de los motores B&S para motores no regulados, la cual figura en el Manual del Operador.

1. Piezas de emisiones garantizadas

La cobertura de esta garantía se extiende sólo a las partes que figuran a continuación (piezas del sistema de control de emisiones) siempre que tales piezas estuvieran presentes en el motor de B&S y / o en el sistema de combustible suministrado por B&S.

a. Sistema de Medición de Combustible

- Sistema de enriquecimiento para arranque en frío (estrangulador suave)
- Carburador o sistema de inyección de combustible
- Sensor de oxígeno
- Unidad de control electrónica
- Módulo de la bomba de combustible
- Conducto de combustible, acoplamiento del conducto de combustible, abrazaderas
- Tanque de combustible, tapa y correa
- Canastilla de carbono

b. Sistema de inducción de aire

- Filtro de Aire
- Múltiple de admisión
- Línea de purga y ventilación

c. Sistema de encendido

- Bujía(s)
- Sistema de encendido con magneto

d. Sistema catalítico

- Convertidor catalítico
- Múltiple de escape
- Sistema de inyección de aire o valor de impulso

e. Elementos diversos utilizados en los sistemas anteriores

- Vacío, temperatura, posición, válvulas e interruptores sensibles al tiempo
- Conectores y conjuntos

2. Duración de la cobertura

La cobertura se extiende por un período de dos años desde la fecha de compra original, o por el período que aparece en la respectiva declaración de garantía del motor o del producto, lo que resulte mayor. B&S garantiza al comprador original y a cada comprador subsiguiente que el motor ha sido diseñado, construido y equipado de manera que cumpla con todas las normas adoptadas por la Junta de Recursos Ambientales de California (CARB); que está libre de defectos de materiales y mano de obra que podrían causar la falla de una pieza garantizada; y que es idéntico en todos los aspectos importantes al motor descrito en la solicitud para certificación del fabricante. El período de garantía comienza en la fecha de la compra original del motor.

La garantía de las piezas relacionadas con las emisiones es la siguiente:

- Cualquier pieza garantizada cuyo reemplazo no esté programado como parte del mantenimiento requerido en el Manual del operador suministrado, está garantizada por el período de garantía antes mencionado. Si tal pieza falla durante el período de cobertura de la garantía, la pieza será reparada o sustituida por B&S, sin costo para el propietario. Cualquier pieza reparada o reemplazada bajo la garantía estará garantizada por lo que reste del período de garantía.

- Cualquier pieza garantizada que sólo esté programada para inspección periódica en el Manual del operador suministrado, está garantizada por el período de garantía antes mencionado. Cualquier pieza reparada o reemplazada bajo la garantía estará garantizada por lo que reste del período de garantía.
- Cualquier pieza garantizada que esté programada para ser reemplazada como parte del mantenimiento requerido en el Manual del Operador suministrado, está garantizada por el período antes del primer punto de reemplazo programado para esa pieza. Si la pieza falla antes del primer reemplazo programado, la pieza será reparada o sustituida por B&S, sin costo para el propietario. Cualquier pieza reparada o reemplazada bajo garantía quedará garantizada por el resto del período anterior al primer reemplazo programado para la pieza.
- No se pueden utilizar de piezas adicionales o modificadas que no estén exentas de acuerdo con la Junta de Recursos Atmosféricos. El uso de cualquier pieza no exenta adicional o modificada por parte del propietario será causa suficiente para anular un reclamo en garantía. El fabricante no será responsable de las fallas de piezas garantizadas causadas por el uso de piezas adicionales o modificadas.

3. Cobertura consecuent

La cobertura se ampliará a los fallos de cualesquier componentes del motor causados por la falla de cualquier pieza garantizada en cuanto a emisiones.

4. Reclamaciones y Exclusiones a la cobertura

Las reclamaciones por garantía deberán ser presentadas de acuerdo con las disposiciones de la política de garantía de motores de B&S. La cobertura de garantía no aplica a fallas de piezas de emisiones que no sean piezas originales de los equipos de B&S o a piezas que fallen debido a abuso, negligencia o mantenimiento incorrecto según lo establecido en la política de garantía de motores de B&S. B&S no es responsable de la cobertura en garantía de fallas de piezas de emisiones causadas por el uso de piezas adicionales o modificadas.

Consulte la información relevante sobre el período de durabilidad de emisiones y el índice de aire en la etiqueta de emisiones de su pequeño motor todo terreno.

Los motores con certificación de cumplimiento de la Norma sobre emisiones para pequeños todo-terreno de la California Air Resources Board (CARB) deben mostrar información sobre el Período de durabilidad de las emisiones y el Índice de calidad del aire. Briggs & Stratton pone esta información a disposición del consumidor sobre nuestros rótulos de emisiones. La etiqueta de emisiones del motor contiene la información de certificación.

El **Período de Durabilidad de Emisiones** indica el número de horas efectivas durante las cuales el motor puede funcionar cumpliendo las normas sobre emisiones, siempre que se realicen las operaciones de mantenimiento que se detallan en el Manual del operador. Se utilizan las siguientes categorías:

Moderado:

Motores con un desplazamiento de 80 cc o menos cuentan con certificación de conformidad de emisiones para 50 horas de tiempo de funcionamiento efectivo del motor. Motores con un desplazamiento mayor a 80 cc cuentan con certificación de conformidad de emisiones para 125 horas de tiempo de funcionamiento efectivo del motor.

Intermedio:

Motores con un desplazamiento de 80 cc o menos cuentan con certificación de conformidad de emisiones para 125 horas de tiempo de funcionamiento efectivo del motor. Motores con un desplazamiento mayor a 80 cc cuentan con certificación de conformidad de emisiones para 250 horas de tiempo de funcionamiento efectivo del motor.

Extendido:

Motores con un desplazamiento de 80 cc o menos cuentan con certificación de conformidad de emisiones para 300 horas de tiempo de funcionamiento efectivo del motor. Motores con un desplazamiento mayor a 80 cc cuentan con certificación de conformidad de emisiones para 500 horas de tiempo de funcionamiento efectivo del motor.

Por ejemplo, un cortacésped de empuje manual típico se utiliza de 20 a 25 horas al año. Por lo tanto, el **Período de Durabilidad de Emisiones** de un motor con una clasificación de **intermedio** equivaldría a unos 10 a 12 años.

Los motores Briggs & Stratton cuentan con la certificación de la Agencia de Protección Ambiental de los Estados Unidos (USEPA) respecto de los estándares de emisiones de fase 2 o la fase 3. El Período de Cumplimiento de las Emisiones que figura en la etiqueta de emisiones indica la cantidad de horas para las que se ha demostrado que el motor en funcionamiento cumple con los requerimientos federales de emisiones.

Para motores con desplazamiento de 80 cc o menos:

Categoría C = 50 horas, Categoría B = 125 horas, Categoría A = 300 horas

Para motores con desplazamiento mayor a 80 cc o menor a 225 cc:

Categoría C = 125 horas, Categoría B = 250 horas, Categoría A = 500 horas

Para motores con desplazamiento de 225 cc o mayor:

Declaración de garantía sobre el control de emisiones de la EPA de EE. UU. y Briggs & Stratton Corporation Sus derechos y obligaciones bajo la garantía

Para modelos de motor de Briggs & Stratton con designación de código "B" o "G" (Declaración de Modelo-Tipo-Código xxxxxx xxxx Bx o xxxxxx xxxx Gx)

La Junta de Recursos del Aire de California (California Air Resources Board), la EPA de EE.UU. y Briggs & Stratton (B&S) se complacen en explicar la garantía del sistema de control de emisiones de su modelo de motor de los años 2017-2019. En California, los nuevos motores pequeños todo terreno y los grandes motores de encendido por chispa de 1.0 litro o menos deben estar designados, contruidos y equipados conforme a las estrictas normas estatales contra la contaminación. B&S está obligado a garantizar el sistema de control de emisiones de su motor durante los períodos que se indican a continuación, siempre que no haya habido abuso, negligencia o mantenimiento inadecuado de su motor.

Su sistema de control de emisiones de escape puede incluir piezas tales como el carburador o el sistema de inyección de combustible, el sistema de encendido y el convertidor catalítico. También pueden estar incluidas las mangueras, correas, conectores, sensores y otros conjuntos relacionados con las emisiones.

Donde exista una condición cubierta por la garantía, B&S reparará su motor/equipo sin costo alguno, incluido el diagnóstico, las piezas y la mano de obra.

Cobertura de la garantía del fabricante:

Los motores pequeños todo terreno y los grandes motores de encendido por chispa de 1.0 litro o menos, y todos los componentes del equipo relacionados con las emisiones, están cubiertos por la garantía de dos años, o por el período indicado en la declaración de garantía del motor o del producto correspondiente, donde prevalecerá el plazo que sea mayor. Si cualquier pieza relacionada con las emisiones en su motor/equipo resulta defectuosa, la pieza será reparada o sustituida por B&S.

Responsabilidades del propietario bajo la garantía:

- Como propietario del motor, usted es responsable de la realización del mantenimiento necesario indicado en el Manual del operador. B&S recomienda que guarde todos los recibos que cubren el mantenimiento de su motor, pero B&S no puede negar la garantía únicamente debido a la falta de recibos o a su imposibilidad de garantizar la realización de todo el mantenimiento programado.
- Como propietario del motor, debe ser consciente de que B&S puede negarle la cobertura de garantía si su motor o una pieza del mismo falló debido a abuso, negligencia, mantenimiento inadecuado o modificaciones no autorizadas.
- Usted es responsable por presentar su motor en un centro de distribución, concesionario de servicio u otra entidad equivalente de B&S, según sea el caso, tan pronto como se presente el problema. Las reparaciones bajo la garantía deben completarse en un período de tiempo razonable y no superior a 30 días. Si tiene alguna pregunta con respecto a sus derechos y responsabilidades bajo la garantía, debe ponerse en contacto con B&S llamando al 1-800-444-7774 (en EE. UU.) o visitando el sitio BRIGGSandSTRATTON.COM.

Disposiciones para Garantía sobre control de emisiones de Briggs & Stratton

Las siguientes son disposiciones específicas relacionadas con la Cobertura de la garantía sobre control de emisiones. Esto es adicional a la garantía de los motores B&S para motores no regulados, la cual figura en el Manual del Operador.

1. Piezas de emisiones garantizadas

La cobertura de esta garantía se extiende sólo a las partes que figuran a continuación (piezas del sistema de control de emisiones) siempre que tales piezas estuvieran presentes en el motor de B&S.

- a. Sistema de Medición de Combustible
 - Sistema de enriquecimiento para arranque en frío (estrangulador suave)
 - Carburador o sistema de inyección de combustible
 - Sensor de oxígeno
 - Unidad de control electrónica
 - Módulo de la bomba de combustible
- b. Sistema de inducción de aire
 - Filtro de Aire
 - Múltiple de admisión
- c. Sistema de encendido
 - Bujía(s)
 - Sistema de encendido con magneto

d. Sistema catalítico

- Convertidor catalítico
- Múltiple de escape
- Sistema de inyección de aire o valor de impulso

e. Elementos diversos utilizados en los sistemas anteriores

- Vacío, temperatura, posición, válvulas e interruptores sensibles al tiempo
- Conectores y conjuntos

2. Duración de la cobertura

La cobertura se extiende por un período de dos años desde la fecha de compra original, o por el período que aparece en la respectiva declaración de garantía del motor o del producto, lo que resulte mayor. B&S garantiza al comprador original y a cada comprador subsiguiente que el motor ha sido diseñado, construido y equipado de manera que cumpla con todas las normas adoptadas por la Junta de Recursos Ambientales de California (CARB); que está libre de defectos de materiales y mano de obra que podrían causar la falla de una pieza garantizada; y que es idéntico en todos los aspectos importantes al motor descrito en la solicitud para certificación del fabricante. El período de garantía comienza en la fecha de la compra original del motor.

La garantía de las piezas relacionadas con las emisiones es la siguiente:

- Cualquier pieza garantizada cuyo reemplazo no esté programado como parte del mantenimiento requerido en el Manual del operador suministrado, está garantizada por el período de garantía antes mencionado. Si tal pieza falla durante el período de cobertura de la garantía, la pieza será reparada o sustituida por B&S, sin costo para el propietario. Cualquier pieza reparada o reemplazada bajo la garantía estará garantizada por lo que reste del período de garantía.
- Cualquier pieza garantizada que sólo esté programada para inspección periódica en el Manual del operador suministrado, está garantizada por el período de garantía antes mencionado. Cualquier pieza reparada o reemplazada bajo la garantía estará garantizada por lo que reste del período de garantía.
- Cualquier pieza garantizada que esté programada para ser reemplazada como parte del mantenimiento requerido en el Manual del Operador suministrado, está garantizada por el período antes del primer punto de reemplazo programado para esa pieza. Si la pieza falla antes del primer reemplazo programado, la pieza será reparada o sustituida por B&S, sin costo para el propietario. Cualquier pieza reparada o reemplazada bajo garantía quedará garantizada por el resto del período anterior al primer reemplazo programado para la pieza.
- No se pueden utilizar de piezas adicionales o modificadas que no estén exentas de acuerdo con la Junta de Recursos Atmosféricos. El uso de cualquier pieza no exenta adicional o modificada por parte del propietario será causa suficiente para anular un reclamo en garantía. El fabricante no será responsable de las fallas de piezas garantizadas causadas por el uso de piezas adicionales o modificadas.

3. Cobertura consecuente

La cobertura se ampliará a los fallos de cualesquier componentes del motor causados por la falla de cualquier pieza garantizada en cuanto a emisiones.

4. Reclamaciones y Exclusiones a la cobertura

Las reclamaciones por garantía deberán ser presentadas de acuerdo con las disposiciones de la política de garantía de motores de B&S. La cobertura de garantía no aplica a fallas de piezas de emisiones que no sean piezas originales de los equipos de B&S o a piezas que fallen debido a abuso, negligencia o mantenimiento incorrecto según lo establecido en la política de garantía de motores de B&S. B&S no es responsable de la cobertura en garantía de fallas de piezas de emisiones causadas por el uso de piezas adicionales o modificadas.

Consulte la información relevante sobre el período de durabilidad de emisiones y el índice de aire en la etiqueta de emisiones de su pequeño motor todo terreno.

Los motores con certificación de cumplimiento de la normativa sobre emisiones del California Air Resources Board (CARB) deben mostrar información sobre el período de durabilidad de las emisiones y el índice de calidad del aire. Briggs & Stratton pone esta información a disposición del consumidor sobre nuestros rótulos de emisiones. La etiqueta de emisiones del motor contiene la información de certificación.

El **Período de Durabilidad de Emisiones** indica el número de horas efectivas durante las cuales el motor puede funcionar cumpliendo las normas sobre emisiones, siempre que se realicen las operaciones de mantenimiento que se detallan en el Manual del operador. Se utilizan las siguientes categorías:

Moderado:

Motores con un desplazamiento de 80 cc o menos cuentan con certificación de conformidad de emisiones para 50 horas de tiempo de funcionamiento efectivo del motor. Motores con un desplazamiento mayor a 80 cc cuentan con certificación de conformidad de emisiones para 125 horas de tiempo de funcionamiento efectivo del motor.

Intermedio:

Motores con un desplazamiento de 80 cc o menos cuentan con certificación de conformidad de emisiones para 125 horas de tiempo de funcionamiento efectivo del motor. Motores con un desplazamiento mayor a 80 cc cuentan con certificación de conformidad de emisiones para 250 horas de tiempo de funcionamiento efectivo del motor.

Extendido:

Motores con un desplazamiento de 80 cc o menos cuentan con certificación de conformidad de emisiones para 300 horas de tiempo de funcionamiento efectivo del motor. Motores con un desplazamiento mayor a 80 cc cuentan con certificación de conformidad de emisiones para 500 horas de tiempo de funcionamiento efectivo del motor.

Por ejemplo, un cortacésped de empuje manual típico se utiliza de 20 a 25 horas al año. Por lo tanto, el **Período de Durabilidad de Emisiones** de un motor con una clasificación de **intermedio** equivaldría a unos 10 a 12 años.

Los motores Briggs & Stratton cuentan con la certificación de la Agencia de Protección Ambiental de los Estados Unidos (USEPA) respecto de los estándares de emisiones de fase 2 o la fase 3. El Período de Cumplimiento de las Emisiones que figura en la etiqueta de emisiones indica la cantidad de horas para las que se ha demostrado que el motor en funcionamiento cumple con los requerimientos federales de emisiones.

Para motores con desplazamiento de 80 cc o menos:

Categoría C = 50 horas, Categoría B = 125 horas, Categoría A = 300 horas

Para motores con desplazamiento mayor a 80 cc o menor a 225 cc:

Categoría C = 125 horas, Categoría B = 250 horas, Categoría A = 500 horas

Para motores con desplazamiento de 225 cc o mayor:

Categoría C = 250 horas, Categoría B = 500 horas, Categoría A = 1000 horas

80008114 (Rev F)

Not for
Reproduction

Ce manuel contient des informations de sécurité visant à vous alerter sur les dangers et les risques liés aux moteurs et vous indiquer comment les éviter. Il comporte également des instructions concernant l'utilisation et l'entretien corrects du moteur. Briggs & Stratton Corporation ne sait pas nécessairement sur quel matériel ce moteur sera installé. Par conséquent, il est important de lire attentivement les présentes instructions, ainsi que celles dudit matériel. **Conserver ces instructions d'origine à titre de référence ultérieure.**

Remarque : Les figures et illustrations contenues dans ce manuel ne sont fournies qu'à titre indicatif et peuvent différer de votre propre modèle. Contacter votre Réparateur pour toute question.

Pour demander des pièces de rechange ou obtenir une assistance technique, renseignez dans le tableau ci-dessous le modèle et le type de votre moteur, ses numéros de code, ainsi que sa date d'achat. Ces numéros se trouvent sur votre moteur (se reporter à la section **Fonctions et commandes**).


Date d'achat	
Modèle - Type - Code du moteur	
Numéro de série du moteur	


Chercher le QR code situé sur certains moteurs. En le scannant avec un appareil compatible, le code renvoie vers notre site internet sur lequel vous trouverez des informations pratiques sur ce produit. En fonction des débits. Il se peut que ces informations soient indisponibles dans certains pays.





Sécurité de l'opérateur

Symbole d'alerte de sécurité et mots de signalisation

Le symbole d'alerte de sécurité  est utilisé pour identifier l'information de sécurité à propos des dangers pouvant causer des blessures. Un mot de signalisation (DANGER, AVERTISSEMENT, ou ATTENTION) est utilisé conjointement avec le symbole d'alerte pour indiquer la possibilité et la gravité des blessures potentielles. De plus, un symbole de danger peut être utilisé pour représenter le type de danger.







 **DANGER** indique un danger qui, si non évité, **causera des blessures graves ou un décès de personne.**











 **AVERTISSEMENT** indique un danger qui, si non évité, **pourrait causer des blessures graves ou un décès de personne.**

 **ATTENTION** indique un danger qui, si non évité, **pourrait causer des blessures mineures ou modérées.**

AVIS indique une situation qui **pourrait conduire à un endommagement du produit.**

Symboles de risque et leurs significations

Symbole	Signification	Symbole	Signification
	Informations de sécurité sur les dangers pouvant provoquer des dommages corporels.		Lire attentivement le contenu du manuel d'utilisation avant de faire fonctionner l'appareil ou d'intervenir dessus.
	Risque d'incendie		Risque d'explosion
	Risque de décharge électrique		Danger de fumées toxiques

Symbole	Signification	Symbole	Signification
	Risque de surface chaude		Risque lié au bruit - protection auditive recommandée pour une utilisation prolongée.
	Risque de projection d'objets - porter des lunettes de protection.		Risque d'explosion
	Risque de gelure		Risque d'effet de recul
	Risque d'amputation - pièces mobiles		Risque chimique
	Risque thermique		Corrosif

Messages de sécurité



AVERTISSEMENT

Certains composants de cet équipement et de ses accessoires contiennent des produits chimiques reconnus dans l'état de Californie comme étant cause de cancer, d'anomalies congénitales ou d'autres effets néfastes sur la fonction de reproduction. Se laver les mains après la manipulation.



AVERTISSEMENT

L'échappement du moteur de cet appareil contient des produits chimiques reconnus par l'État de la Californie comme pouvant causer le cancer, des anomalies congénitales ou autres troubles de la reproduction.



AVERTISSEMENT

Les moteurs Briggs & Stratton ne sont pas conçus et ne doivent pas être utilisés pour propulser des « fun-karts »; « go-karts »; véhicules récréationnels pour enfants] ou sportifs/tous-terrains (VTT); motocyclettes; aéroglisseur, avionet ou véhicules utilisés pour compétitions non sanctionnées par Briggs & Stratton. Pour plus d'information à propos des produits pour courses, visiter www.briggsracing.com. Pour applications de véhicules utilitaires ou VTT pour passagers côte à côte, communiquer au Centre d'application de Briggs & Stratton au 1-866-927-3349. Une application inadéquate de moteur peut conduire à des blessures graves voire la mort.



AVERTISSEMENT



Le carburant et ses vapeurs sont extrêmement inflammables et explosifs.

Un incendie ou une explosion peut provoquer des brûlures graves voire la mort.

Lors du remplissage de carburant

- Arrêter le moteur et le laisser refroidir au moins 2 minutes avant d'enlever le bouchon de réservoir.
- Remplir le réservoir de carburant à l'extérieur ou dans un endroit bien ventilé.
- Ne pas trop remplir le réservoir de carburant. Pour permettre à l'essence de se dilater, ne pas remplir au-dessus du bas du goulot du réservoir de carburant.
- Garder le carburant loin des étincelles, des flammes nues, des veilleuses, de la chaleur et autres sources d'allumage.
- Vérifier fréquemment les conduites de carburant, le réservoir, le bouchon et les accessoires pour fissures et fuites. Remplacez si nécessaire.
- Si le carburant se renverse, attendre jusqu'à ce qu'il soit évaporé avant de mettre en marche le moteur.

Lors du démarrage du moteur

- Assurez-vous que la bougie d'allumage, le silencieux, le bouchon de carburant et le filtre à air (si équipé) sont en place et bien fixés.
- Ne mettez pas le moteur en marche quand la bougie est retirée.
- Si le moteur est noyé, veuillez régler le volet de départ (si équipé) à la position OUVERT/MARCHE, déplacer l'accélérateur (si équipé) à la position VITE et mettre en marche le moteur.

Lors du fonctionnement de l'équipement

- Ne penchez pas le moteur ou l'équipement à un angle où l'essence peut se déverser.
- Ne pas étrangler le carburateur pour arrêter le moteur.
- Ne jamais démarrer ou faire fonctionner le moteur lorsque l'ensemble filtre à air (si équipé) ou le filtre à air (si équipé) est enlevé.

Lors du remplacement de l'huile

- Si vous vidangez l'huile du dessus du tube de remplissage d'huile, le réservoir de carburant doit être vide ou le carburant peut s'écouler et risquer de provoquer un incendie ou une explosion.

Lors de l'inclinaison de la machine pour entretien

- Lors d'un entretien nécessitant que l'unité soit inclinée, le réservoir de carburant, si monté sur le moteur, doit être vidé sinon le carburant peut s'écouler et causer un incendie ou une explosion.

Lors du transport de l'équipement

- Transportez lorsque le réservoir est VIDE, ou lorsque le robinet d'alimentation est en position FERMÉ.

Lors de l'entreposage du carburant ou de l'équipement ayant du carburant dans le réservoir

- Entreposer loin des fournaies, des poêles, des chauffe-eaux ou autres appareils ayant une flamme pilote ou autre source d'allumage pouvant enflammer les vapeurs de carburant.



AVERTISSEMENT

La mise en marche du moteur crée une gerbe d'étincelles.

L'étincelle peut mettre le feu au gaz inflammable tout près.

Explosion et incendie peuvent en résulter.

- Si il y a une fuite de pétrole liquéfié PL ou dans l'endroit où vous êtes, n'essayez pas de faire fonctionner le moteur.
- Ne pas utiliser pas de fluides sous pression car les vapeurs sont inflammables.



AVERTISSEMENT

RISQUE DE GAZ TOXIQUE. Les gaz d'échappement contiennent du monoxyde de carbone, un gaz toxique pouvant provoquer la mort en quelques minutes. Il s'agit d'un gaz que vous ne pouvez ni voir, ni sentir, ni goûter. Même si vous ne sentez pas de vapeurs d'échappement, vous pourriez quand même être exposé au gaz de monoxyde de carbone. Si vous commencez à vous sentir mal, étourdi, ou faible en utilisant ce produit, arrêtez-le et sortez au grand air IMMÉDIATEMENT. Consultez un médecin. Vous pourriez être intoxiqué(e) par le monoxyde de carbone.

- Faites UNIQUEMENT fonctionner cette machine à l'extérieur et loin des fenêtres, portes, et événements afin de réduire le risque que le gaz de monoxyde de carbone ne s'accumule et ne soit potentiellement aspiré vers des espaces occupés.
- Installez des avertisseurs de monoxyde de carbone fonctionnant à piles ou alimentés par câble avec batterie de secours selon les directives du fabricant. Les détecteurs de fumée ne détectent pas le monoxyde de carbone.
- NE faites PAS fonctionner ce produit à l'intérieur de maisons, garages, sous-sols, vides sanitaires, remises ou autres espaces partiellement clos, même si des ventilateurs sont utilisés ou des portes et fenêtres sont laissées ouvertes pour la ventilation. Le monoxyde de carbone peut s'accumuler rapidement dans ces espaces et peut y rester pendant des heures, même après l'arrêt de l'appareil.
- Installez TOUJOURS ce produit sous le vent et dirigez l'échappement du moteur à l'opposé des espaces occupés.



AVERTISSEMENT

L'enroulement rapide de la corde du démarreur (effet de recul) aura pour effet de tirer la main et le bras vers le moteur en moins de temps qu'on ne se l'imagine.

Vous risquez ainsi de subir des fractures, des ecchymoses ou des entorses.

- Lors de la mise en marche du moteur, tirer le cordon démarreur lentement jusqu'à ce qu'une résistance est ressentie et puis tirer rapidement pour éviter une impulsion de retour.
- Retirer toute charge externe sur le moteur/machine avant de démarrer.
- Les accessoires directement accouplés à la machine tels que les lames, roues de pompe, poulies, roues dentées etc. doivent être fixés de façon sécuritaire.



AVERTISSEMENT

Les pièces rotatives peuvent contacter ou enchevêtrer les mains, les pieds, les cheveux, les vêtements ou accessoires.

Un trauma ambulatoire ou lacérations graves peuvent survenir.

- Faire fonctionner la machine avec les gardes en place.
- Tenir les mains et les pieds à l'écart des lames rotatives.
- Attacher les cheveux longs et enlever les bijoux.
- Ne pas porter de vêtements lâches de cordons exposés ou tout article qui pourrait se prendre dans la machine.



AVERTISSEMENT

Les moteurs en marche produisent de la chaleur. Les pièces du moteur, en particulier le silencieux, deviennent extrêmement chaudes.

Des brûlures thermiques graves peuvent se produire au contact.

Les débris inflammables, tels que feuilles, herbes, broussailles, peuvent s'enflammer.

- Laissez le silencieux, le cylindre de moteur et les ailettes refroidir avant de les toucher.
- Enlevez tous débris accumulés de la section du silencieux et de la section du cylindre.
- L'utilisation ou le fonctionnement du moteur sur des terrains forestiers, broussailleux ou herbeux constituent une violation de la Section 4442 du Code des ressources publiques de Californie, à moins que le système d'échappement ne soit équipé d'un pare-étincelles, comme le définit la Section 4442, maintenu en bon état de marche. D'autres provinces ou juridictions fédérales peuvent avoir des lois similaires. Communiquez avec le fabricant, détaillant ou revendeur d'origine de l'équipement pour obtenir un pare-étincelles conçu pour le système d'échappement installé sur ce moteur.



AVERTISSEMENT

Une étincelle accidentelle peut entraîner un incendie ou un choc électrique.

Un démarrage accidentel peut entraîner un emmêlement, une amputation traumatique ou une lacération.

Risque d'incendie

Avant d'effectuer des réglages ou des réparations :

- Débrancher le câble de bougie et le garder à l'écart de la bougie.
- Débrancher la batterie à la borne négative (uniquement sur les moteurs munis de démarreur électrique).
- Utiliser uniquement des outils appropriés.
- Ne pas altérer le ressort du régulateur, la tringlerie ou toute autre pièce pour augmenter le régime du moteur.
- Les pièces de rechange doivent être de la même conception et installées dans la même position que les pièces d'origine. D'autres pièces peuvent ne pas fonctionner aussi bien, peuvent endommager la machine et peuvent entraîner des blessures.
- Ne pas frapper le volant-moteur avec un marteau ni un objet dur, car le volant-moteur pourrait éclater pendant le fonctionnement.

Lors de l'essai de bougie d'allumage :

- Utiliser un vérificateur de bougies d'allumage approuvé.

- Ne vérifiez pas l'allumage lorsque la bougie d'allumage est enlevée.

Caractéristiques et commandes

Commandes moteur

Apprendre la localisation des diverses commandes et dispositifs de la machine à l'aide de l'illustration (Figure : 1, 2, 3)

- A. Numéros d'identification du moteur **Modèle - Type - Code**
- B. Bougie
- C. Filtre à air (plat ou ovale)
- D. Commande d'étranglement
- E. Robinet de d'ouverture/fermeture d'alimentation de carburant (le cas échéant)
- F. Poignée du cordon de démarrage
- G. Grille d'entrée d'air
- H. Commande du papillon des gaz (le cas échéant)
- I. Commutateur d'arrêt (le cas échéant)
- J. Réservoir de carburant et bouchon
- K. Jauge rallongée (le cas échéant)
- L. Jauge courte (le cas échéant)
- M. Bouchon de vidange d'huile
- N. Ouverture de remplissage d'huile
- O. Silencieux et garde (le cas échéant), pare-étincelles (le cas échéant)
- P. Clé de sécurité (modèles à démarreur électrique)
- Q. Commutateur « ON/OFF » (modèles à démarreur électrique)
- R. Boîte de démultiplication (le cas échéant)
- S. Commutateur clé (modèles à démarreur électrique)

Symboles de commande du moteur et significations

Symbole	Signification	Symbole	Signification
	Régime moteur - FAST (RAPIDE)		Régime moteur - SLOW (LENT)
	Régime moteur - STOP (ARRÊT)		ON - OFF (MARCHE - ARRÊT)
	Démarrage du moteur - Étrangleur FERMÉ		Démarrage du moteur - Étrangleur OUVERT
	Bouchon de carburant Robinet d'alimentation de carburant - OUVERT		Robinet d'alimentation de carburant - FERMÉ
	Niveau de carburant - Maximum Ne pas trop remplir		

Fonctionnement

Recommandations relatives à l'huile

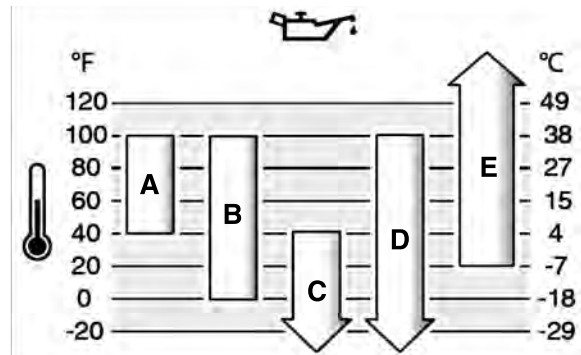
Capacité d'huile : Voir la **section Fiche** technique.

AVIS

Ce moteur a été livré par Briggs & Stratton sans huile. Les fabricants d'équipement ou concessionnaires peuvent avoir ajouté de l'huile au moteur. Avant de démarrer le moteur pour la première fois, assurez-vous de vérifier le niveau d'huile et d'ajouter de l'huile selon les directives de ce manuel. Si vous démarrez le moteur sans huile, il sera endommagé de manière irréversible et ne sera pas couvert par la garantie.

Nous recommandons l'utilisation d'huiles garanties et certifiées Briggs & Stratton pour obtenir les meilleures performances. D'autres huiles détergentes de haute qualité sont acceptables si elles sont de catégorie SF, SG SH, SJ ou supérieure. Ne pas utiliser d'additifs spéciaux.

Les températures extérieures déterminent la viscosité de l'huile convenant au moteur. Utilisez le tableau pour sélectionner la meilleure viscosité pour la plage de températures extérieures prévues. Les moteurs sur la plupart des équipements motorisés d'extérieur fonctionnent bien avec de l'huile synthétique 5W-30. Pour l'équipement fonctionnant à haute température, l'huile synthétique 15W-50 de VanguardMC offre la meilleure protection.



A	SAE 30 : Sous 4 °C (40 °F), l'utilisation de SAE 30 causera une difficulté de mise en marche.
B	10W-30 : Au-dessus de 80 °F (27 °C), l'utilisation de 10W-30 peut causer une augmentation de la consommation d'huile. Vérifiez le niveau d'huile plus fréquemment.
C	5W-30
D	Synthétique 5W-30
E	Synthétique 15W-50 de VanguardMC

Contrôle du niveau d'huile

Voir la Figure : 4, 5

Avant de vérifier ou d'ajouter de l'huile

- S'assurer que la machine est nivelée.
- Débarrasser de tout débris la zone de remplissage d'huile.

Capuchon d'orifice d'huile (le cas échéant)

1. Retirer le bouchon de mise à niveau d'huile (A, Figure 4).
2. Si le niveau est bas, verser l'huile lentement dans le tube de remplissage (C, Figure 4). Remplir jusqu'au rebord de l'orifice.
3. Reposer et serrer le bouchon de remplissage (A, Figure 4).

Jauge courte (le cas échéant)

1. Retirer la jauge d'huile (C, Figure 4) et l'essuyer avec un chiffon propre.
2. Remettre le bouchon-jauge (C, Figure 4) en place. **Ne pas le visser aucunement.**
3. Sortir la jauge et contrôler le niveau d'huile. Le niveau adéquat est en dessus de la marque du haut de la jauge (D, Figure 4).
4. Si le niveau est bas, verser l'huile lentement dans le tube de remplissage (C, Figure 4). Remplir jusqu'au rebord de l'orifice.
5. Replacer et serrer le bouchon-jauge (C, Figure 4).

Jauge rallongée (le cas échéant)

1. Retirer la jauge d'huile (A, Figure 5) et l'essuyer avec un chiffon propre.
2. Replacer et serrer le bouchon-jauge (A, Figure 5).
3. Sortir la jauge et contrôler le niveau d'huile. Le niveau adéquat est en dessus de la marque du haut de la jauge (B, Figure 5).

- Si le niveau est bas, verser l'huile lentement dans le tube de remplissage (C, Figure 5). **Ne pas trop remplir.** Après avoir ajouté de l'huile, attendre une minute, puis vérifier le niveau d'huile à nouveau.
- Replacer et serrer le bouchon-jauge (A, Figure 5).

Système de détection de niveau d'huile bas (le cas échéant)

Certains moteurs sont équipés d'une sonde de détection de niveau d'huile bas. Si le niveau d'huile est insuffisant, la sonde active un voyant d'alerte ou arrête le moteur. Arrêter le moteur et procéder comme décrit ci-dessous avant de remettre en marche le moteur.

- Mettre le moteur de niveau.
- Contrôler le niveau d'huile. Se reporter à la section **Vérifier le niveau d'huile**.
- Si le niveau est insuffisant, faire l'appoint avec la quantité appropriée d'huile. Mettre le moteur en marche et s'assurer que le voyant d'alerte (si prévu) n'est pas allumé.
- Si le niveau d'huile est correct, ne pas faire démarrer le moteur. Contacter un Réparateur agréé Briggs & Stratton pour corriger un problème d'huile.

Recommandations de carburant

Le carburant doit répondre aux critères suivants :

- Essence sans plomb, propre et fraîche.
- Indice d'octane minimum de 87/87 AKI (91 RON). En cas d'utilisation en haute altitude, voir ci-après.
- Une essence contenant jusqu'à 10 % d'éthanol (carburant) est acceptable.

AVIS Ne pas utiliser d'essence non approuvée comme la E15 ou la E85. Ne pas mélanger d'huile à l'essence ni modifier le moteur afin qu'il puisse fonctionner avec des carburants alternatifs. Cela endommagerait le moteur, ce qui ne serait pas couvert par la garantie.

Pour empêcher le système d'admission d'essence contre la formation de gomme, mélanger un stabilisateur à l'essence. Se reporter à la section **Stockage**. Tous les carburants ne sont pas les mêmes. En cas de difficultés à démarrer ou de problèmes de fonctionnement, changer de fournisseur ou changer de marque d'essence. Ce moteur est certifié pour fonctionner à partir de l'essence. Le système de contrôle des émissions pour ce moteur est EM (Modifications du moteur).

Haute altitude

À des altitudes supérieures à 1 524 mètres (5 000 pieds), de l'essence d'au minimum 85 octane/85 AKI (89 RON) est acceptable.

Pour conserver les caractéristiques d'émission, un réglage spécial haute altitude est nécessaire. Faire fonctionner le moteur sans ce réglage fait baisser ses performances, augmenter la consommation de carburant et les émissions. Contacter un Réparateur agréé Briggs & Stratton pour davantage d'informations sur le réglage haute altitude. Le fonctionnement du moteur à une altitude inférieure à 762 mètres (2 500 pieds) avec le kit haute altitude n'est pas recommandé.

Pour les moteurs à injection électronique (EFI), le réglage haute altitude est inutile.

Ajouter du carburant

Voir Figure : 6



L'essence et ses vapeurs sont extrêmement inflammables et explosives.

Un incendie ou une explosion peuvent provoquer de très graves blessures ou être mortelles.

Lors du remplissage de carburant

- Arrêter le moteur et le laisser refroidir au moins 2 minutes avant de retirer le bouchon du réservoir.
 - Remplir le réservoir de carburant à l'extérieur ou dans un local extrêmement bien ventilé.
 - Ne pas trop remplir le réservoir de carburant. Pour permettre la dilatation de l'essence, ne pas remplir au-delà du bas du col de remplissage.
 - Veiller à tenir l'essence à l'écart des étincelles, des flammes nues, des veilleuses, de la chaleur et de toute autre source d'ignition.
 - Contrôler régulièrement que les durites, le réservoir, le bouchon et les raccords de réservoir ne présentent ni fissures, ni fuites. Remplacer si nécessaire.
 - Si du carburant a été renversé, attendre son évaporation complète avant de démarrer le moteur.
- Nettoyer le pourtour du bouchon d'essence de la poussière et des débris. Enlever le bouchon d'essence.

- Remplir le réservoir (A, Figure 6) d'essence. Pour permettre la dilatation du carburant, ne pas remplir au-delà du bas du la base du col de remplissage. (B).
- Remettre le bouchon du réservoir en place.

Démarrage et arrêt du moteur

Voir la Figure : 7, 8

Démarrage du moteur



L'enroulement rapide de la corde du démarreur (effet de recul) aura pour effet de tirer la main et le bras vers le moteur en moins de temps qu'on ne se l'imagine.

Des os cassés, des fractures, des bleus ou des entorses pourraient se produire.

- Lors du démarrage du moteur, tirer lentement le cordon du démarreur jusqu'à ce qu'une résistance se produise et tirer ensuite rapidement pour éviter tout effet de rebond.



Le carburant et ses vapeurs sont extrêmement inflammables et explosifs.

Un incendie ou une explosion peut provoquer des brûlures graves voire la mort.

Lors du démarrage du moteur

- Vous assurer que la bougie d'allumage, le silencieux, le bouchon de carburant et filtre à air (si équipé) sont en place et bien fixés.
- Ne pas mettre le moteur en marche quand la bougie est retirée.
- Si le moteur se noie, mettre le starter (si l'unité en est équipée) sur la position OUVERT/MARCHE, amener la manette des gaz (si l'unité en est équipée) sur la position RAPIDE et lancer le moteur jusqu'à ce qu'il démarre.



RISQUE DE GAZ TOXIQUE. Les gaz d'échappement contiennent du monoxyde de carbone, un gaz toxique pouvant provoquer la mort en quelques minutes. Il s'agit d'un gaz que vous NE pouvez NI voir, NI sentir, NI goûter. Même si vous ne sentez pas de vapeurs d'échappement, vous pourriez quand même être exposé au gaz de monoxyde de carbone. Si vous commencez à vous sentir mal, étourdi(e), ou faible en utilisant ce produit, arrêtez-le et sortez au grand air IMMÉDIATEMENT. Voir un médecin. Vous pourriez être intoxiqué(e) par le monoxyde de carbone.

- Ne faites fonctionner cette machine qu'à l'extérieur et loin des fenêtres, portes, et événements afin de réduire le risque que le gaz de monoxyde de carbone ne s'accumule et ne soit potentiellement aspiré vers des espaces occupés.
- Installez et assurez l'entretien d'avertisseurs de monoxyde de carbone fonctionnant à piles ou alimentés par câble avec batterie de secours selon les directives du fabricant. Les détecteurs de fumée ne détectent pas le monoxyde de carbone.
- NE FAITES PAS FONCTIONNER ce produit à l'intérieur des maisons, garages, sous-sol, vides sanitaires, ou autres espaces partiellement clos, même si des ventilateurs sont utilisés ou des portes et fenêtres sont laissées ouvertes pour la ventilation. Le monoxyde de carbone peut s'accumuler rapidement dans ces espaces et peut y rester pendant des heures, même après l'arrêt de l'appareil.
- • Installez TOUJOURS ce produit sous le vent et dirigez l'échappement du moteur à l'opposé des espaces occupés.

AVIS Ce moteur a été livré de Briggs & Stratton sans huile. Avant de démarrer le moteur, assurez-vous que vous avez ajouté de l'huile selon les instructions de ce manuel. Si vous démarrez le moteur sans huile, il sera endommagé de manière irréversible et ne sera pas couvert par la garantie.

Remarque : L'équipement peut être muni de manettes à distance. Pour localiser les commandes à distance, consultez le manuel de la machine.

- Contrôler le niveau d'huile du moteur. Voir la rubrique **Contrôle du niveau d'huile**.
- S'assurer que les commandes d'entraînement de l'équipement sont débrayées.
- Tourner le robinet de carburant (A, Figure 7) , à la position « OPEN » (OUVERT).
- Déplacez le levier de commande du régime moteur (C, Figure 7), le cas échéant, à la position « FAST ». (RAPIDE). Faire fonctionner le moteur sur la position rapide.
- Déplacez le levier de commande d'étranglement (C, figure 7) à la position « Choke » (étranglement).

Remarque : L'étranglement n'est généralement pas nécessaire lorsque le moteur est chaud.

- Placer le commutateur d'arrêt (D, Figure 7 - le cas échéant), à la position « ON ».
- Démarrage à mécanisme de rebobinage (le cas échéant)** Tenir fermement la poignée du cordon de démarreur (E, Figure 7). Tirez le cordon du démarreur lentement jusqu'à ce que la résistance est ressenti, puis tirez rapidement.



AVERTISSEMENT

Une rétraction rapide du cordon du démarreur (effet de rebond) tirera votre main et votre bras vers le moteur plus rapidement que l'on ne peut relâcher le cordon du démarreur. Des os cassés, des fractures, des bleus ou des entorses pourraient se produire. Lors du démarrage du moteur, tirer lentement le cordon du démarreur jusqu'à ce qu'une résistance se produise et tirer ensuite rapidement pour éviter tout effet de rebond.

- Démarrage électrique (le cas échéant) avec clé de sécurité (F)** : Insérer la clé de sécurité (F, Figure 7). Actionner temporairement le bouton de démarrage (G). Relâcher le bouton aussitôt que le moteur démarre.
- Démarrage électrique (le cas échéant) avec clé de lancement (H)** : Mettre le commutateur à clé (H, Figure 8) à la position « START ». Relâcher la clé aussitôt que le moteur démarre.

AVIS Pour prolonger la durée de vie du démarreur, utiliser des cycles de démarrage courts (cinq secondes maximum). Attendre une minute entre les cycles de démarrage.

- Au fur et à mesure que le moteur se réchauffe, déplacer la commande d'étranglement (C, Figure 7) à la position « RUN » (MARCHE).

Remarque : Si le moteur ne démarre pas après plusieurs tentatives, naviguez à **BRIGGSandSTRATTON.com** ou communiquez avec votre dépositaire local, ou encore composez **1-800-233-3723** (aux É.-U.).

Arrêt du moteur



AVERTISSEMENT



Le carburant et ses vapeurs sont extrêmement inflammables et explosifs.

Un incendie ou une explosion peut provoquer des brûlures graves voire la mort.

- Ne pas étrangler le carburateur pour arrêter le moteur.
- Commande du papillon des gaz (le cas échéant)** : Déplacez le levier de commande du régime moteur (C, Figure 7) sur la position « SLOW » (RALENTI) et puis à « STOP » (ARRÊT).
Commutateur d'arrêt (le cas échéant) : Mettre le commutateur d'arrêt (D, Figure 7) en position « STOP ».
Clé de sécurité (le cas échéant) : Retirer la clé de sécurité (F, Figure 7) et la garder la clé dans un endroit sécuritaire hors de la portée des enfants.
Commutateur à clé (le cas échéant) : Mettre le commutateur à clé (H, Figure 8) à la position « OFF ». Retirer la clé et la garder la clé dans un endroit sécuritaire hors de la portée des enfants.
 - Après l'arrêt du moteur, tourner le robinet de carburant (A, Figure 7), à la position « CLOSED ».

Entretien

AVIS Si le moteur est basculé pendant l'entretien, le réservoir de carburant doit être vidé et le côté où se trouve la bougie doit être en haut. Si le réservoir de carburant n'est pas vide et si le moteur est basculé dans toute autre direction, il sera peut-être difficile de le faire démarrer par suite d'huile ou de carburant contaminant le filtre à air et/ou la bougie.



AVERTISSEMENT

S'il est nécessaire de basculer l'équipement au cours de l'entretien, le réservoir de carburant, s'il est monté sur le moteur, doit être vidé, sinon le carburant risque de couler et d'entraîner un incendie ou une explosion.

Nous vous recommandons de confier à un Réparateur Briggs & Stratton agréé tout l'entretien de votre moteur et de ses pièces.

AVIS Tous les composants de ce moteur doivent rester à leur place d'origine pour que le moteur fonctionne correctement.



AVERTISSEMENT



Une étincelle accidentelle peut provoquer un incendie ou une décharge électrique.

Un démarrage accidentel peut causer un étranglement, l'amputation ou la lacération d'un membre.

Risque d'incendie

Avant d'effectuer des réglages ou des réparations :

- Débrancher le fil de bougie et l'attacher à bonne distance de la bougie.
- Débrancher le câble Négatif de la batterie (uniquement pour les moteurs à démarrage électrique).
- N'utiliser que les outils corrects.
- Ne pas modifier le ressort du régulateur, les tringles ou autres pièces pour augmenter le régime du moteur.
- Les pièces de rechange doivent être d'origine et installées de la même façon que les pièces remplacées. D'autres pièces peuvent ne pas fonctionner aussi bien, peuvent endommager la machine et peuvent provoquer des blessures.
- Ne pas taper sur le volant moteur avec un marteau ou un objet dur ; cela pourrait entraîner une rupture ultérieure du volant pendant que le moteur fonctionne.

Contrôle de l'étincelle :

- Utiliser un contrôleur homologué.
- Ne pas contrôler l'étincelle avec la bougie retirée.

Service du Contrôle des émissions

L'entretien, le remplacement ou la réparation des dispositifs et systèmes de contrôle des émissions peuvent être effectués par tout établissement de réparation de moteurs hors route ou par une personne qualifiée. Cependant, pour obtenir un service après-vente « gratuit » du contrôle des émissions, le travail doit être effectué par un revendeur agréé de l'usine. Voir la déclaration sur le contrôle des émissions.

Calendrier d'entretien

Les 5 premières heures
<ul style="list-style-type: none">Changement de l'huile
Toutes les 8 heures ou chaque jour
<ul style="list-style-type: none">Vérifier le niveau d'huile du moteurNettoyer la région autour des commandes et du silencieuxNettoyer la grille d'admission d'air.
Toutes les 25 heures ou 1 fois l'an
<ul style="list-style-type: none">Nettoyer le filtre à air ¹Nettoyer le préfiltre (le cas échéant) ¹
Toutes les 50 heures ou 1 fois l'an
<ul style="list-style-type: none">Changer l'huile du moteurService du système d'échappement
Toutes les 100 heures
<ul style="list-style-type: none">Remplacer l'huile de boîte de démultiplication (le cas échéant)
Tous les ans
<ul style="list-style-type: none">Remplacer la bougie d'allumageRemplacer le filtre à airRemplacer le préfiltre (le cas échéant)Changement du filtre à carburant (le cas échéant)Service du système de carburantMaintenance du système de refroidissement ¹Contrôle du dégagement de soupape ²

¹ Nettoyer plus souvent si les conditions sont poussiéreuses ou s'il y a des particules en suspension dans l'air.

² Non requis à moins de détection de problèmes de performance du moteur.

Carburateur et régime moteur

Ne jamais procéder à des réglages du carburateur ou du régime moteur. Le carburateur a été réglé en usine pour fonctionner de manière efficace dans la plupart des conditions. Ne pas altérer le ressort du régulateur, la tringlerie ou toute autre pièce pour augmenter le régime du moteur. Si un réglage s'impose, s'adresser à une Station Service Briggs & Stratton agréée.

AVIS Le constructeur de l'équipement spécifie le régime maximal du moteur tel qu'installé sur l'équipement. **Ne pas dépasser** ce régime. En cas de doute quant au régime maximal pour l'équipement ou au régime moteur configuré en sortie d'usine, s'adresser à une Station Service Briggs & Stratton agréée. Pour garantir la sécurité et le bon fonctionnement de l'équipement, le régime moteur ne doit être réglé que par un technicien de service qualifié.

Entretien de la bougie

Voir Figure : 9

Vérifier l'écartement des électrodes (A, Figure 9) avec une jauge à fil (B). Régler l'écartement des électrodes au besoin. Remettre la bougie et la serrer au couple recommandé. Pour régler l'écartement et trouver le couple de serrage, voir la section **Spécifications**.

Remarque : Dans certains pays, la législation impose l'emploi de bougies à résistance pour supprimer les parasites à l'allumage. Si ce moteur était équipé d'une bougie avec résistance, utiliser le même type de bougie lors de son remplacement.

Entretien du système d'échappement



AVERTISSEMENT

Un moteur en marche produit de la chaleur. Les pièces du moteur, et plus particulièrement le silencieux, deviennent extrêmement chaudes.

Les toucher peut provoquer de graves brûlures.

Les débris combustibles comme les feuilles, l'herbe, les broussailles peuvent s'enflammer.

- Laisser le silencieux, le cylindre du moteur et les ailettes refroidir avant de les toucher.
- Retirer les débris accumulés autour du silencieux et du cylindre.
- L'utilisation ou le fonctionnement du moteur sur des terrains forestiers, broussailloux ou herbeux constituent une violation de la Section 4442 du California Public Resource Code, sauf si le système d'échappement est équipé d'un pare-étincelles, tel que défini dans la Section 4442, en bon état de fonctionnement. D'autres états ou juridictions fédérales peuvent appliquer des lois similaires. Contacter le fabricant, le distributeur ou le fournisseur d'origine de la machine pour obtenir un pare-étincelles conçu pour le système d'échappement installé sur ce moteur.

Retirer les débris accumulés autour du silencieux et du cylindre. Inspecter le silencieux à la recherche de fissures, de corrosion ou autre dommage. Retirer le déflecteur ou le pare-étincelles, le cas échéant, et inspecter s'ils sont endommagés ou obstrués par des dépôts de carbone. En cas de défaut constaté, remplacer les pièces défectueuses avant de réutiliser l'équipement.



AVERTISSEMENT

Les pièces de rechange doivent être d'origine et installées de la même façon que les pièces remplacées. D'autres pièces peuvent ne pas fonctionner aussi bien, peuvent endommager la machine et peuvent provoquer des blessures.

Changement de l'huile moteur

Voir la Figure : 10, 11, 12

L'huile vidangée est un produit de résidus dangereux et elle doit être jetée de façon appropriée. Ne pas la jeter avec les déchets ménagers. Vérifier avec les autorités locales, les centres de services ou les revendeurs où se trouvent les installations d'élimination des déchets ou de recyclage.

Vidange d'huile

1. Pendant que le moteur est arrêté mais encore chaud, déconnecter le câble de la bougie (D, Figure 10) et le tenir à l'écart de la bougie (E).
2. Déposer le bouchon de vidange d'huile (F, Figure 11). Laisser l'huile couler dans un récipient approuvé.

Remarque : l'un ou l'autre des bouchons de vidange d'huile (G, Figure 11) peut être installé sur le moteur.

3. Une fois que l'huile est vidangée, installer et serrer le bouchon de vidange d'huile (F, Figure 11).

Ajouter de l'huile

- S'assurer que la machine est nivelée.
- Débarrasser de tout débris la zone de remplissage d'huile.
- Pour le volume d'huile, voir la rubrique **Fiche technique**.

Capuchon d'orifice d'huile (le cas échéant)

1. Retirer le bouchon de mise à niveau d'huile (H, Figure 11).
2. Verser l'huile lentement dans le tube de remplissage (C, Figure 11). Remplir jusqu'au rebord de l'orifice.
3. Reposer et serrer le bouchon de remplissage (H, Figure 11).
4. Rebrancher le câble d'allumage (D, Figure 10) sur la bougie (E).

Jauge courte (le cas échéant)

1. Retirer la jauge d'huile (A, Figure 11) et l'essuyer avec un chiffon propre.
2. Verser l'huile lentement dans le tube de remplissage (C, Figure 11). Remplir jusqu'au rebord de l'orifice.
3. Remettre le bouchon-jauge (A, Figure 11) en place. **Ne pas le visser aucunement.** Sortir et contrôler le niveau d'huile. Le niveau adéquat est en dessus de la marque du haut de la jauge (B).
4. Replacer et serrer le bouchon-jauge (A, Figure 11).
5. Rebrancher le câble d'allumage (D, Figure 10) sur la bougie (E).

Jauge rallongée (le cas échéant)

1. Retirer la jauge d'huile (A, Figure 12) et l'essuyer avec un chiffon propre.
2. Verser l'huile lentement dans le tube de remplissage (C, Figure 12). **Ne pas trop remplir.** Après avoir ajouté de l'huile, attendre une (1) minute, puis vérifier le niveau d'huile à nouveau.
3. Replacer et serrer le bouchon-jauge (A, Figure 12).
4. Sortir et contrôler le niveau d'huile. Le niveau adéquat est en dessus de la marque du haut de la jauge (B, Figure 12).
5. Replacer et serrer le bouchon-jauge (A, Figure 12).
6. Rebrancher le câble d'allumage (D, Figure 10) sur la bougie (E).

Remplacement l'huile de boîte de démultiplication

Voir la Figure : 13, 14

Rapport d'engrenage 6:1 (Figure 13)

Si votre moteur est muni d'une boîte de démultiplication 6:1, faire son entretien comme suit :

1. Déposer le bouchon de remplissage d'huile (A, Figure 13) et le bouchon de niveau d'huile (B).
2. Déposer le bouchon de vidange d'huile (C, Figure 13) et vidanger l'huile dans un récipient approprié.
3. Reposer et serrer le bouchon de vidange (C, Figure 13).
4. Pour remplir, verser lentement le lubrifiant d'engrenage (voir section **Fiche technique**) dans l'orifice de remplissage d'huile (D, Figure 13). Continuer de verser jusqu'à ce que l'huile s'écoule hors du trou de niveau requis (E).
5. Reposer et serrer le bouchon de niveau (B, Figure 13).
6. Reposer et serrer le bouchon de remplissage (A, Figure 13).

Remarque : Le bouchon de remplissage d'huile (A, Figure 13) a un trou d'évent (F) et le bouchon doit être monté sur le dessus du couvercle du carter d'engrenage comme montré.

Rapport d'engrenage 2:1 (Figure 14)

La boîte de démultiplication 2:1 (G, Figure 14) ne nécessite pas de changements d'huile.

Entretien du filtre à air

Voir la Figure : 15, 16, 17



AVERTISSEMENT

Le carburant et ses vapeurs sont extrêmement inflammables et explosifs.

Un incendie ou une explosion peut provoquer des brûlures graves voire la mort.

- Ne jamais démarrer ou faire fonctionner le moteur lorsque le dépollueur (si la tondeuse en est équipée) ou le filtre à air (si la tondeuse en est équipée) est retiré.

AVIS Ne pas utiliser de l'air comprimé ou solvants pour nettoyer le filtre. L'air comprimé peut endommager le filtre et les solvants peuvent le dissoudre.

Pour les exigences de service, voir le **Calendrier d'entretien**.

Différents modèles utilisent : les uns, un filtre de mousse, les autres un filtre de papier. Certains modèles peuvent également avoir un préfiltre optionnel qui peut être lavé et réutilisé. Comparer les illustrations du présent manuel avec le type installé sur votre moteur et faire la maintenance correspondante.

Entretien du filtre à air de papier

1. Desserrer les attaches (A, Figure 15, 16).
2. Déposer le couvercle (B, Figure 15, 16).
3. Retirer le préfiltre (C, Figure 15, 16, le cas échéant) et le filtre (D).
4. Pour faire tomber les débris, tapoter doucement le filtre (D, Figure 15, 16) sur une surface dure. Si le filtre est excessivement colmaté, le remplacer par un neuf.
5. Laver le préfiltre (C, Figure 15, 16, le cas échéant), au détergent liquide et à l'eau. Le laisser sécher complètement à l'air libre. **Ne pas** huiler le préfiltre.
6. Assembler le préfiltre sec (C, Figure 15, 16, le cas échéant), au filtre (D) avec la lèvres (g) du préfiltre sur le bas des plis du filtre.
7. Réinstaller le filtre (D, Figure 15, 16).
8. Sur les modèles munis du filtre à air montré à la Figure 15, insérer les languettes du couvercle (E) dans les fentes (F).
9. Reposer le couvercle (B, Figure 15, 16), et fixer à l'aide des attaches (A).

Entretien du filtre à air de mousse

1. Desserrer les attaches (A, Figure 17).
2. Déposer le couvercle (B, Figure 17).
3. Retirer le préfiltre (C, Figure , 17, le cas échéant) et le filtre (D).
4. Pour faire tomber les débris, tapoter doucement le filtre (D, Figure , 17) sur une surface dure. Si le filtre est excessivement colmaté, le remplacer par un neuf.
5. Retirer le préfiltre (C, Figure , 17, le cas échéant) du filtre (D).
6. Laver le préfiltre (C, Figure , 17, le cas échéant), au détergent liquide et à l'eau. Le laisser sécher complètement à l'air libre. **Ne pas** huiler le préfiltre.
7. Assembler le préfiltre sec (C, Figure , 17, le cas échéant) au filtre (D).
8. Installer le filtre (D, Figure 17) et préfiltre (C), le cas échéant, dans la base du filtre à air (E) et puis sur la tige filetée (F). S'assurer que le filtre est bien ajusté et maintenu en place sur la base.
9. Reposer le couvercle du filtre à air (B, Figure 17) et fixer à l'aide des attaches (A). Assurez-vous que les fixations sont vissées solidement.

Service de système de carburant

Voir la Figure : 18, 19



AVERTISSEMENT

Le carburant et ses vapeurs sont extrêmement inflammables et explosifs.

Un incendie ou une explosion peut provoquer des brûlures graves voire la mort.

- Garder le carburant loin des étincelles, des flammes nues, des veilleuses, de la chaleur et autres sources d'allumage.
- Vérifier les conduits d'essence, le réservoir, le bouchon du réservoir et les raccords pour y détecter toute fissure ou fuite. Remplacez si nécessaire.
- Avant de nettoyer ou de remplacer le filtre à carburant, vidanger le réservoir de carburant ou fermer le robinet d'écoulement.

- Si le carburant se renverse, attendre jusqu'à ce qu'il soit évaporé avant de mettre en marche le moteur.
- Les pièces de rechange doivent être identiques aux pièces d'origine et être installées à la même position.

Filtre de carburant (le cas échéant)

1. Avant de nettoyer ou de remplacer le filtre à carburant (A, Figure 18), vidanger le réservoir de carburant ou fermer le robinet d'écoulement. Autrement, le carburant peut se répandre et causer un incendie ou une explosion.
2. Utilisez des pinces pour serrer les languettes (B Figure 18), contre les attaches (C), puis éloignez les attaches du filtre à essence (A) en les faisant glisser. Tournez et tirez les conduits d'essence hors du filtre à essence.
3. Inspecter les conduites du circuit de carburant (D, Figure 18) pour détecter toute fissure ou fuite. Remplacez si nécessaire.
4. Remplacez le filtre à essence (A, Figure 18), avec un filtre de remplacement original pour l'équipement.
5. Fixer les conduites de carburant (D, Figure 18) de façon sécuritaire avec des attaches (C) comme montré.

Crépine de carburant (le cas échéant)

1. Retirer le bouchon du réservoir de carburant (A, Figure 19).
2. Retirer le bouchon du réservoir de carburant (A, Figure 19).
3. Si la crépine est sale, la nettoyer ou la remplacer. Si vous remplacez la crépine à carburant, assurez-vous d'utiliser la pièce d'équipement d'origine.

Entretien du système de refroidissement



AVERTISSEMENT

Un moteur en marche produit de la chaleur. Les pièces du moteur, et plus particulièrement le silencieux, deviennent extrêmement chaudes.

Les toucher peut provoquer de graves brûlures.

Les débris combustibles comme les feuilles, l'herbe, les broussailles, entre autres, peuvent s'enflammer.

- Laisser le silencieux, le cylindre du moteur et les ailettes refroidir avant de les toucher.
- Retirer les débris accumulés autour du silencieux et du cylindre.

AVIS Ne pas utiliser d'eau pour nettoyer le moteur. L'eau peut contaminer le système d'alimentation en essence. Utiliser une brosse ou un chiffon sec pour nettoyer le moteur.

Ce moteur est refroidi par air. De la poussière ou des débris peuvent affecter le débit d'air et faire chauffer le moteur, ce qui réduit ses performances et sa durée de vie.

1. Utiliser une brosse ou un chiffon sec pour enlever les débris de la grille d'entrée d'air.
2. Nettoyer les biellettes, les ressorts et les commandes.
3. Ne pas laisser les débris combustibles s'accumuler autour et derrière le silencieux d'échappement, si prévu.
4. S'assurer que les ailettes du radiateur d'huile, si prévu, sont exemptes de saleté et de débris.

Avec le temps, des débris peuvent s'accumuler dans les ailettes de refroidissement du cylindre et entraîner une surchauffe de celui-ci. Ces débris ne sont pas visibles sans un démontage partiel du moteur. Pour cette raison, faire procéder par un Réparateur Briggs & Stratton agréé à une inspection et à un nettoyage du système de refroidissement à air selon les prescriptions du **Programme d'entretien**.

Entreposage



AVERTISSEMENT

Le carburant et ses vapeurs sont extrêmement inflammables et explosifs.

Un incendie ou une explosion peut provoquer des brûlures graves voire la mort.

Lors de l'entreposage du carburant ou de l'équipement avec du carburant dans le réservoir

- Entreposer loin des fournaies, des poêles, des chauffe-eaux ou autres appareils ayant une flamme pilote ou autres sources d'allumage pouvant enflammer les vapeurs de carburant.

Système de carburant

Voir la figure : 20

Remiser le moteur au niveau (position de fonctionnement normal). Remplir le réservoir de carburant (A, figure 20) avec du carburant. Pour permettre l'expansion de l'essence, ne remplissez pas au-dessus du bas du col du réservoir de carburant (B).

Le carburant peut se dégrader lorsqu'il est conservé plus de 30 jours. Un carburant éventé cause la formation de dépôts acides et de gomme dans le système de carburant ou sur les pièces essentielles du carburateur. Pour garder le carburant frais, utiliser **Traitement stabilisateur de carburant à formule d'avant-garde de Briggs & Stratton**, disponible partout où les pièces d'origine d'entretien de Briggs & Stratton sont vendues.

Il est inutile de vidanger le carburant du moteur si vous ajoutez un stabilisateur d'essence conformément aux directives. Faire tourner le moteur pendant deux (2) minutes pour faire circuler le stabilisateur à travers le système de carburant avant l'entreposage.

Si le carburant dans le moteur n'a pas été traité avec un stabilisateur de carburant, il doit être vidangé dans un récipient approuvé. Faites fonctionner le moteur jusqu'à ce qu'il s'arrête en raison d'un manque de carburant. L'utilisation d'un stabilisateur de carburant dans le récipient de remisage est recommandée pour que le carburant conserve toutes ses propriétés.

Huile moteur

Pendant que le moteur est encore chaud, changer l'huile du moteur. Voir la section **Changer l'huile moteur**.

Dépannage

Pour assistance, communiquez avec votre dépositaire local ou visitez le site **BRIGGSandSTRATTON.com** ou composez le **1-800-233-3723** (aux États-Unis).

Fiche technique

Modèle : 120000	
Cylindrée	12.48 ci (205 cc)
Alésage	2.688 in (65,28 mm)
Course	2.200 in (55,88 mm)
Volume d'huile	18 - 20 oz (,54 - ,59 L)
Type d'huile pour boîte de démultiplication	80W-90
Capacité d'huile de boîte de démultiplication	4 oz (0,12 L)
Écartement des électrodes de bougie	.030 in (,76 mm)
Couple de serrage de bougie	180 lb-in (20 Nm)
Entrefer armature/carcasse	.010 - .014 in (,25 - ,36 mm)
Jeu de soupape d'admission	.004 - .006 in (,10 - ,15 mm)
Jeu de soupape d'échappement	.009 - .011 in (,23 - ,28 mm)

Modèle : 150000	
Cylindrée	15.24 ci (250 cc)
Alésage	2.970 in (75,44 mm)
Course	2.200 in (55,88 mm)
Volume d'huile	18 - 20 oz (,54 - ,59 L)
Type d'huile pour boîte de démultiplication	80W-90
Capacité d'huile de boîte de démultiplication	4 oz (0,12 L)
Écartement des électrodes de bougie	.030 in (,76 mm)
Couple de serrage de bougie	180 lb-in (20 Nm)
Entrefer armature/carcasse	.010 - .014 in (,25 - ,36 mm)
Jeu de soupape d'admission	.004 - .006 in (,10 - ,15 mm)
Jeu de soupape d'échappement	.009 - .011 in (,23 - ,28 mm)

Modèle : 200000	
Cylindrée	15.63 ci (305 cc)
Alésage	3.120 in (79,24 mm)
Course	2.438 in (61,93 mm)
Volume d'huile	26 - 28 oz (,77 - ,83 L)

Modèle : 200000	
Type d'huile pour boîte de démultiplication	SAE 30
Capacité d'huile de boîte de démultiplication	12 oz (,35 L)
Écartement des électrodes de bougie	.030 in (,76 mm)
Couple de serrage de bougie	180 lb-in (20 Nm)
Entrefer armature/carcasse	.008 - .012 in (,20 - ,30 mm)
Jeu de soupape d'admission	.004 - .006 in (,10 - ,15 mm)
Jeu de soupape d'échappement	.004 - .006 in (,10 - ,15 mm)

Modèle : 210000	
Cylindrée	20.85 ci (342 cc)
Alésage	3.300 in (83,81 mm)
Course	2.438 in (61,93 mm)
Volume d'huile	26 - 28 oz (,77 - ,83 L)
Type d'huile pour boîte de démultiplication	SAE 30
Capacité d'huile de boîte de démultiplication	12 oz (,35 L)
Écartement des électrodes de bougie	.030 in (,76 mm)
Couple de serrage de bougie	180 lb-in (20 Nm)
Entrefer armature/carcasse	.008 - .012 in (,20 - ,30 mm)
Jeu de soupape d'admission	.004 - .006 in (,10 - ,15 mm)
Jeu de soupape d'échappement	.004 - .006 in (,10 - ,15 mm)

La puissance du moteur sera réduite de 3,5 % pour chaque 300 mètres (1 000 pieds) au-dessus du niveau de la mer, et de 1 % pour chaque 5,6° C (10° F) au-dessus de 25° C (77°). Le moteur fonctionnera normalement jusqu'à 15° d'inclinaison. Voir le Manuel de l'opérateur de la machine pour connaître les limites d'utilisation sécuritaire sur des pentes.

Pièces de rechange - Modèle : Model 1 120000, 150000, 200000, 210000	
Pièce de rechange	Référence
Filtre à air plat	491588, 5043
Préfiltre à air plat	493537, 5064
Filtre à air ovale (Modèles 120000, 150000)	697029, 5059
Préfiltre à air ovale (Modèles 120000, 150000)	273356
Filtre à air ovale (Modèles 200000, 210000)	695302
Préfiltre à air ovale (Modèles 200000, 210000)	695303
Filtre à carburant	694485
Traitement stabilisateur de carburant à formule d'avant-garde	100117, 100120
Bougie à résistance	491055
Bougie platine à grande longévité	5066
Clé pour bougie d'allumage	89838, 5023
Vérificateur d'allumage	19368

Nous recommandons de consulter un concessionnaire Briggs & Stratton agréé pour tout entretien et réparation du moteur et des pièces de moteur.

Puissances nominales : La puissance brute de chaque modèle de moteur à essence est indiquée conformément au Code J1940 (procédure de calcul de la puissance et du couple des petits moteurs) de la norme SAE (Society of Automotive Engineers), et elle a été obtenue conformément à la norme SAE J1995. Les valeurs de couple sont calculées à 2 600 tr/min pour les moteurs dont l'étiquette porte la mention « RPM » et à 3 060 tr/min pour tous les autres. Les valeurs en CV sont dérivées à 3 600 tr/min. Les courbes de puissance brute peuvent être consultées sur le site www.BRIGGSandSTRATTON.COM. Les valeurs données pour la puissance nette sont mesurées avec l'échappement ou le filtre à air installé tandis que les valeurs données pour la puissance brute sont recueillies sans ces accessoires. La puissance brute réelle du moteur sera plus élevée que la puissance nette du moteur et est affectée, entre autres, par les conditions atmosphériques de fonctionnement et les variations d'un moteur à l'autre. Compte tenu de la grande variété de machines sur lesquelles nos moteurs sont utilisés, il se peut que le moteur à essence ne développe pas la puissance nominale brute une fois qu'il est monté sur une machine particulière. Cette différence s'explique par un grand nombre de facteurs, y compris, sans toutefois s'y limiter, la diversité des composants du moteur (filtre à air, échappement, admission, refroidissement, carburateur, pompe à essence, etc.), limites d'utilisation, conditions ambiantes d'utilisation (température, humidité, altitude) et variations d'un moteur

à l'autre. Pour des raisons de fabrication et de capacité limitées, Briggs & Stratton est susceptible de remplacer ce modèle par un moteur plus puissant.

Garantie

Garantie de moteur Briggs & Stratton

Entrée en vigueur : janvier 2017

Garantie limitée

Briggs & Stratton garantit que, pendant la période de couverture de la garantie précisée ci-dessous, elle réparera ou remplacera, sans frais, toute pièce défectueuse comportant un vice de matériau ou un défaut de fabrication ou les deux. En vertu de la présente garantie, les frais de transport du produit soumis pour réparation ou remplacement sont à la charge de l'acheteur. La présente garantie sera en vigueur et soumise aux périodes et conditions stipulées ci-dessous. Pour obtenir des services en vertu de la garantie, veuillez consulter notre Outil de recherche d'un Service après-vente agréé sur BRIGGSandSTRATTON.COM. L'acheteur doit contacter le Service après-vente agréé, puis mettre le produit à la disposition du Service après-vente agréé pour l'inspection et des essais.

Il n'existe aucune autre garantie expresse. Les garanties implicites, incluant les garanties de qualité marchande et d'adaptation à un usage particulier, sont limitées à la période définie dans la garantie citée ci-dessous, ou jusqu'à la limite permise par la loi. La responsabilité pour dommages accessoires ou indirects est exclue dans la mesure où une telle exclusion est permise par la loi. Certains états/provinces ou pays n'autorisent aucune restriction sur la durée d'une garantie implicite, et certains états/provinces ou pays n'autorisent pas l'exclusion ou la limitation des dommages consécutifs ou indirects. Par conséquent, les restrictions et exclusions décrites ci-dessus pourraient ne pas s'appliquer dans votre cas. La présente garantie vous donne des droits particuliers et vous pourriez également avoir d'autres droits qui varient d'un État, province ou pays à un autre ⁴.

Modalités standard de la garantie ^{1, 2, 3}

Marque/Nom de produit	Usage par un consommateur	Usage à des fins commerciales
Vanguard™, Série commerciale	36 mois	36 mois
Moteurs mettant en vedette une chemise de cylindre en fonte Dura-Bore™	24 mois	12 mois
Tous les autres moteurs	24 mois	3 mois

¹Voilà nos modalités de garantie standard, mais de temps à autre, une couverture de garantie supplémentaire non déterminée au moment de cette publication pourrait être offerte. Pour la présentation des modalités actuelles pour votre moteur, naviguez à BRIGGSandSTRATTON.com ou communiquez avec votre dépositaire de service autorisé Briggs & Stratton.

²Aucune garantie n'est offerte sur les moteurs utilisés sur un équipement de remplacement de service utilitaire ou génératrice d'urgence pour des fins commerciales. Les moteurs utilisés dans les courses ou dans les camions commerciaux ou de location ne sont pas garantis.

³Vanguard montés sur une génératrice d'urgence : 24 mois pour les consommateurs privés; pas de garantie pour un usage commercial. Vanguard montés sur véhicules utilitaires : 24 mois pour les consommateurs privés; 24 mois pour un usage commercial. Série commerciale avec date de fabrication avant juillet 2017, 24 mois pour un usage par le consommateur, 24 mois pour un usage commercial.

⁴En Australie — Nos produits sont livrés avec des garanties qui ne peuvent pas être exclues en vertu de la loi australienne sur la consommation. Vous avez droit à un remplacement ou à un remboursement en cas de défaillance majeure et en compensation à toute autre perte ou dommage raisonnablement prévisible. Vous avez également droit à faire réparer ou remplacer les produits si les produits ne sont pas de qualité acceptable et que la défaillance n'équivaut pas à une défaillance majeure. Pour une demande de compensation sous garantie, trouver le dépositaire de service autorisé le plus près avec notre outil « dealer locator map » à BRIGGSandSTRATTON.COM. ou en composant le 1 300 274 447 ou encore en écrivant un courriel à : salesenquiries@briggsandstratton.com.au, ou par la poste à : Briggs & Stratton Australia Pty Ltd, 1 Moorebank Avenue, Moorebank, NSW, Australia, 2170.

La période de garantie commence à la date d'achat original par un consommateur privé ou commercial. « Usage par un consommateur » signifie que le produit sera utilisé par un consommateur au détail dans un but privé. « Usage commercial » indique toutes les autres utilisations possibles, y compris commerciales, génératrices de revenus ou locatives. Aux fins de la présente garantie, dès qu'un équipement a été utilisé commercialement une fois, il est par la suite considéré comme étant d'usage à des fins commerciales.

Veuillez garder le reçu de votre achat. Si vous ne pouvez pas fournir la preuve de la date initiale de l'achat au moment de faire une demande se rapportant à la garantie, la date de fabrication du produit sera utilisée pour déterminer la période de garantie. Pour exercer la garantie sur tout équipement fabriqué par Briggs & Stratton, il n'est pas nécessaire de l'enregistrer.

À propos de votre garantie

La présente garantie limitée couvre le matériel ou main-d'œuvre associés au moteur ou un problème de main-d'œuvre seulement, mais non un remplacement ou remboursement de la machine entraînée par le moteur. La présente garantie ne couvre pas l'entretien régulier, les mises-au-point, réglages ou usure normale. Également, la garantie ne s'appliquera pas si le moteur a été trafiqué ou modifié, ou si son numéro de série a été enlevé ou effacé. La présente garantie ne couvre pas les dommages au moteur ou défauts de performance causés par :

1. L'utilisation de pièces qui ne sont pas des pièces d'origine Briggs & Stratton;
2. Le fonctionnement du moteur sans avoir suffisamment d'huile ou ayant de l'huile contaminée ou de grade inadéquat;
3. L'utilisation de carburant contaminé ou éventé, de l'essence formulée avec de l'éthanol à plus de 10 %, ou l'utilisation de variante de carburant comme le gaz de pétrole liquéfié ou le gaz naturel sur un moteur non conçu et produit à l'origine par Briggs & Stratton pour fonctionner avec de tels carburants;
4. De la saleté introduite dans le moteur pour cause d'entretien inadéquat du filtre à air ou de son remontage incorrect;
5. Frapper un objet avec la lame d'une tondeuse à gazon rotative, ou lame de coupe ou adaptateurs, impulseurs, ou autre grément ou roue accouplé au vilebrequin desserré ou mal installé ou courroie trop serrée;
6. Pièces ou ensembles accessoires comme embrayage, boîte de vitesse, commande d'équipement etc. non fournis par Briggs & Stratton;
7. Surchauffe pour cause d'accumulation d'herbe, saleté et débris ou nids de vermine qui obstruent les ailettes de refroidissement ou l'aire du volant, ou faire fonctionner le moteur sans aération adéquate;
8. Vibration excessive due à une survitesse, un montant de moteur desserré, une lame ou roue lâche ou déséquilibrée, ou un mauvais accouplement de gréments sur le vilebrequin;
9. Abus d'utilisation, ou manque d'entretien régulier, mauvaise manipulation de transport et d'entreposage ou mauvais montage du moteur.

Les services liés à la garantie sont uniquement disponibles par l'entremise d'un distributeur de service autorisé Briggs & Stratton. Localiser le dépositaire de service autorisé le plus près avec notre outil « dealer locator map » à BRIGGSandSTRATTON.COM. ou en composant le 1-800-233-3723 (aux États-Unis).

80004537 (Rév. C)

Garantie des émissions Briggs & Stratton

Énoncé de garantie et d'émissions de Briggs & Stratton Corporation et de l'EPA des États-Unis - Vos droits et obligations en vertu de la garantie

Pour moteurs Briggs & Stratton de version « F » (Modèle - Type - Version : xxxxxx xxxx Fx)

Le California Air Resources Board, l'EPA des É.-U. et Briggs & Stratton (B&S) sont heureux de vous expliquer la garantie couvrant le dispositif antipollution sur votre équipement de modèle 2017-2019. En Californie, les nouveaux petits moteurs de V.T.T. et gros moteurs à allumage par bougie de 1,0 litre ou moins doivent être conçus et équipés pour se conformer aux normes antipollution de sévérité établie par l'état. B&S doit garantir le système de contrôle d'émissions de votre moteur/équipement pour les périodes de temps énumérées ci-dessous pourvu qu'il n'y a pas eu d'abus, de négligence ou d'entretien inadéquat de votre moteur ou équipement.

Votre système de contrôle d'émissions d'échappement pourrait comprendre les pièces telles le carburateur ou le système d'injection de carburant, le système d'allumage, et le convertisseur catalytique. Pourraient aussi être incluses les flexibles, courroies, connecteurs, capteurs et autres ensembles associés aux systèmes de contrôle d'émissions. Le système de contrôle de l'évaporation de carburant peut comprendre des pièces telles que: Les carburateurs, les réservoirs d'essence, les canalisations d'essence, les bouchons d'essence, les soupapes, les filtres, les carters, les boyaux d'évaporation, les attaches, les raccords et autres composants associés.

Dans les situations couvertes, B&S réparera votre moteur ou équipement sans frais, incluant le diagnostic, les pièces et la main-d'œuvre.

Couverture de garantie du fabricant :

Les petits moteurs de V.T.T. et gros moteurs à allumage par bougie de 1,0 litre ou moins, et tout composant associé au contrôle des émissions de l'équipement sont garantis pour deux ans ou pour la durée indiquée à l'énoncé de garantie du produit ou du moteur selon l'éventualité la plus longue. Si une pièce de contrôle des émissions de votre moteur/équipement B&S est défectueuse, elle sera réparée ou remplacée par B&S.

Responsabilités du propriétaire dans le cadre de la garantie :

- À titre de propriétaire d'équipement et moteur, vous êtes responsable d'effectuer l'entretien requis indiqué dans votre Manuel de l'opérateur. B&S recommande que vous conserviez toutes les factures d'entretien de votre équipement/moteur, mais

B&S ne pourra pas refuser une compensation de garantie sur le seul fait d'absence de reçus ou de votre manquement à l'entretien selon le calendrier fourni.

- À titre de propriétaire d'équipement et moteur, soyez cependant avisés que B&S pourrait refuser une compensation de garantie si votre équipement/moteur ou une pièce est tombée en panne pour cause d'abus, négligence, d'entretien inadéquat ou de modification non approuvée.
- La responsabilité vous incombe d'amener votre moteur ou équipement à un centre de service et dépositaire B&S ou autre atelier similaire au besoin le plus tôt possible après la découverte du problème. Les réparations au titre de la garantie devraient se faire dans un délai raisonnable n'excédant pas 30 jours. Pour toute question concernant vos droits et responsabilités de la garantie, veuillez communiquer avec B&S en composant le numéro 1-800-444-7774 (aux États-Unis) ou par le site BRIGGSandSTRATTON.COM.

Dispositions de la garantie de contrôle des émissions Briggs & Stratton

Les dispositions spécifiques relatives à la couverture de la garantie du système de contrôle des émissions sont indiquées ci-dessous. Elles viennent en complément de la garantie des moteurs de B&S pour les moteurs non réglementés qui se trouve dans le manuel d'utilisation.

1. Pièces liées aux émissions sous garantie
La couverture au titre de cette garantie ne s'étend qu'aux pièces énumérées ci-dessous (pièces des systèmes de contrôle des émissions) dans la mesure où ces pièces étaient présentes sur le moteur B&S et/ou dans le circuit d'alimentation prévu par B&S.
 - a. Système de dosage du carburant
 - Système d'enrichissement pour démarrages à froid (starter)
 - Carburateur ou système d'injection de carburant
 - Capteur d'oxygène
 - Unité de commande électronique
 - Module de pompe à carburant
 - Canalisation et raccords de carburant, colliers
 - Réservoir de carburant, bouchon et câble d'attache
 - Réservoir à charbon actif
 - b. Système d'admission d'air
 - Filtre à air
 - Collecteur d'admission
 - Conduite de vidange et de mise à l'air
 - c. Système d'allumage
 - Bougie(s)
 - Système d'allumage par volant magnétique
 - d. Système catalytique
 - Convertisseur catalytique
 - Collecteur d'échappement
 - Système d'injection d'air ou soupape d'impulsion
 - e. Pièces diverses utilisées dans les systèmes ci-dessus
 - Soupapes et contacteurs de dépression, de température, de position et de durée
 - Raccords et assemblages
2. Durée de la couverture
La couverture porte sur une période de deux ans à compter de la date de l'achat initial ou sur la période stipulée dans la déclaration de garantie du moteur ou du produit concerné, selon celle qui est la plus longue. B&S garantit à l'acheteur initial et à chaque acheteur suivant que le moteur est conçu, fabriqué et équipé de manière à être en conformité avec toutes les réglementations applicables adoptées par l'Air Resources Board, qu'il est exempt de tout défaut de matière ou de construction susceptible d'entraîner la défaillance d'une pièce garantie et qu'il est matériellement identique en tous points au moteur décrit dans la demande de certification du fabricant. La période de garantie démarre à la date de l'achat initial du moteur.

La garantie sur les pièces liées aux émissions est comme suit :

- Toute pièce garantie dont le remplacement n'est pas prévu dans le cadre de la maintenance obligatoire indiquée dans le manuel d'utilisation fourni est garantie pendant la période susmentionnée. Si cette pièce se révèle être défectueuse au cours de la période de garantie, elle sera réparée ou remplacée par B&S sans frais à la charge du propriétaire. La pièce ainsi réparée ou remplacée sera garantie pendant la période restante.
- Toute pièce garantie dont seule une inspection régulière est prévue dans le manuel d'utilisation fourni est garantie pendant la période susmentionnée. La pièce ainsi réparée ou remplacée sera garantie pendant la période restante.

- Toute pièce garantie dont le remplacement est prévu dans le cadre de la maintenance obligatoire indiquée dans le manuel d'utilisation fourni est garantie pendant la période précédant le premier remplacement prévu de cette pièce. Si cette pièce se révèle être défectueuse avant le premier remplacement prévu, elle sera réparée ou remplacée par B&S sans frais à la charge du propriétaire. La pièce ainsi réparée ou remplacée sera garantie pour la période restante précédant le premier remplacement prévu de ladite pièce.
 - Les pièces ajoutées ou modifiées qui ne sont pas exemptées par l'Air Resources Board ne peuvent pas être utilisées. L'utilisation par le propriétaire de pièces ajoutées ou modifiées non exemptées sera un motif de rejet de toute réclamation. Le fabricant ne peut en aucun cas être tenu de garantir les défaillances de pièces garanties dues à l'utilisation de pièces non exemptées ajoutées ou modifiées.
3. Couverture des conséquences
La présente couverture s'étend à la défaillance de tout composant du moteur due à la défaillance d'une pièce liée aux émissions sous garantie.
 4. Réclamations et exclusions de garantie
Les réclamations au titre de la garantie doivent être présentées selon les dispositions de la police de garantie des moteurs de B&S. La garantie ne couvre pas les défaillances de pièces liées aux émissions qui ne sont pas des pièces B&S d'origine ou les défaillances de pièces qui ont fait l'objet d'abus, de négligence ou d'un mauvais entretien ainsi qu'indiqué dans la police de garantie des moteurs de B&S. B&S n'est pas tenu de couvrir la garantie des défaillances des pièces liées aux émissions dues à l'utilisation de pièces rajoutées ou modifiées.

Sur l'étiquette d'émissions de petit moteur de votre V.T.T. sont indiqués les renseignements pertinents d'émission, de longueur de la période de conformité et d'indice de qualité de l'air.

Les renseignements concernant la période de durabilité des émissions et l'indice de pollution atmosphérique doivent être fournis avec les moteurs qui répondent aux normes relatives aux émissions de la California Air Resources Board (CARB). Briggs & Stratton rend cette information disponible aux consommateurs sur nos étiquettes des émissions. L'étiquette des émissions du moteur fournit des renseignements sur la certification.

La **période de durabilité des émissions** décrit le nombre d'heures pendant lesquelles le moteur peut fonctionner en respectant les normes relatives aux émissions, en supposant que l'entretien est effectué conformément au manuel d'utilisation. Les catégories utilisées sont les suivantes :

Modéré :

Les moteurs de 80 cc de cylindrée et moins peuvent fonctionner pendant 50 heures tout en respectant la norme relative aux émissions. Les moteurs de plus de 80 cc de cylindrée peuvent fonctionner pendant 125 heures tout en respectant la norme relative aux émissions.

Intermédiaire :

Les moteurs de 80 cc de cylindrée et moins peuvent fonctionner pendant 125 heures tout en respectant la norme relative aux émissions. Les moteurs de plus de 80 cc de cylindrée peuvent fonctionner pendant 250 heures tout en respectant la norme relative aux émissions.

Prolongé :

Les moteurs de 80 cc de cylindrée et moins peuvent fonctionner pendant 300 heures tout en respectant la norme relative aux émissions. Les moteurs de plus de 80 cc de cylindrée peuvent fonctionner pendant 500 heures tout en respectant la norme relative aux émissions.

Par exemple, l'utilisation d'une tondeuse poussée est d'environ 20 à 25 heures par année. Alors, la **période de durabilité des émissions** d'un moteur de cylindrée **moyenne** serait égale à 10-12 ans.

Les moteurs Briggs & Stratton sont homologués conformes aux normes d'émission USEPA [Agence de protection de l'environnement (EPA) des États-Unis] phase 2 ou phase 3. La période de conformité mentionnée à l'étiquette de conformité aux émissions indique le nombre d'heures de fonctionnement pour lesquelles le moteur de cette conception a démontré demeurer en conformité aux exigences d'émissions fédérales.

Pour les moteurs de déplacement de 80 cc ou moins :

Catégorie C = 50 heures, Catégorie B = 125 heures, Catégorie A = 300 heures

Pour les moteurs de déplacement entre 80 cc et 225 cc :

Catégorie C = 125 heures, Catégorie B = 250 heures, Catégorie A = 500 heures

Pour les moteurs de déplacement de 225 cc ou plus :

Catégorie C = 250 heures, Catégorie B = 500 heures, Catégorie A = 1 000 heures

80008256 (Rév. F)

Énoncé de garantie et d'émissions de Briggs & Stratton Corporation et de l'EPA des États-Unis - Vos droits et obligations en vertu de la garantie

Pour moteurs Briggs & Stratton de version « B » ou « G » (Modèle - Type - Version : xxxxxx xxxx Bx ou xxxxxx xxxx Gx)

Le California Air Resources Board, l'EPA des É.-U. et Briggs & Stratton (B&S) sont heureux de vous expliquer la garantie couvrant le dispositif antipollution sur votre modèle 2017-2019. En Californie, les nouveaux petits moteurs de V.T.T. et gros moteurs à allumage par bougie de 1,0 litre ou moins doivent être conçus et équipés pour se conformer aux normes antipollution de sévérité établie par l'état. B&S doit garantir le dispositif antipollution de votre moteur pour les durées indiquées ci-dessous à condition qu'il n'y ait pas eu d'abus, de négligence, ou un entretien inadéquat de votre moteur.

Votre système de contrôle d'émissions d'échappement pourrait comprendre les pièces telles le carburateur ou le système d'injection de carburant, le système d'allumage, et le convertisseur catalytique. Pourraient aussi être incluses les flexibles, courroies, connecteurs, capteurs et autres ensembles associés aux systèmes de contrôle d'émissions.

Dans les situations couvertes, B&S réparera votre moteur ou équipement sans frais, incluant le diagnostic, les pièces et la main-d'œuvre.

Couverture de garantie du fabricant :

Les petits moteurs de V.T.T. et gros moteurs à allumage par bougie de 1,0 litre ou moins, et tout composant associé au contrôle des émissions de l'équipement sont garantis pour deux ans ou pour la durée indiquée à l'énoncé de garantie du produit ou du moteur selon l'éventualité la plus longue. Si une pièce de contrôle des émissions de votre moteur/équipement B&S est défectueuse, elle sera réparée ou remplacée par B&S

Responsabilités du propriétaire dans le cadre de la garantie :

- À titre de propriétaire du moteur, vous êtes responsable d'effectuer l'entretien requis indiqué dans votre Manuel de l'opérateur. B&S vous recommande de conserver toutes les factures d'entretien de votre moteur, mais B&S ne pourra pas refuser une réparation au titre de la garantie sur le seul fait de l'absence de reçus ou de votre manquement à l'entretien selon le calendrier fourni.
- À titre de propriétaire du moteur, vous devez toutefois savoir que B&S pourrait refuser d'honorer la garantie si le moteur ou une pièce a fait défaut à la suite d'un abus, de négligence, d'un entretien inadéquat ou de modifications non approuvées.
- Vous devrez apporter votre moteur à un centre de service et dépositaire B&S ou autre atelier similaire, selon le cas, le plus tôt possible après la découverte du problème. Les réparations au titre de la garantie devraient se faire dans un délai raisonnable n'excédant pas 30 jours. Pour toute question concernant vos droits et responsabilités de la garantie, veuillez communiquer avec B&S en composant le numéro 1-800-444-7774 (aux États-Unis) ou par le site BRIGGSandSTRATTON.COM.

Dispositions de la garantie de contrôle des émissions Briggs & Stratton

Les dispositions spécifiques relatives à la couverture de la garantie du système de contrôle des émissions sont indiquées ci-dessous. Elles viennent en complément de la garantie des moteurs de B&S pour les moteurs non réglementés qui se trouve dans le manuel d'utilisation.

1. Pièces liées aux émissions sous garantie

La couverture au titre de cette garantie ne s'étend qu'aux pièces énumérées ci-dessous (pièces des systèmes de contrôle des émissions) dans la mesure où ces pièces étaient présentes sur le moteur B&S.

a. Système de dosage du carburant

- Système d'enrichissement pour démarrages à froid (starter)
- Carburateur ou système d'injection de carburant
- Capteur d'oxygène
- Unité de commande électronique
- Module de pompe à carburant

b. Système d'admission d'air

- Filtre à air
- Collecteur d'admission

c. Système d'allumage

- Bougie(s)
- Système d'allumage par volant magnétique

d. Système catalytique

- Convertisseur catalytique
- Collecteur d'échappement
- Système d'injection d'air ou soupape d'impulsion

e. Pièces diverses utilisées dans les systèmes ci-dessus

- Soupapes et contacteurs de dépression, de température, de position et de durée
- Raccords et assemblages

2. Durée de la couverture

La couverture porte sur une période de deux ans à compter de la date de l'achat initial ou sur la période stipulée dans la déclaration de garantie du moteur ou du

produit concerné, selon celle qui est la plus longue. B&S garantit à l'acheteur initial et à chaque acheteur suivant que le moteur est conçu, fabriqué et équipé de manière à être en conformité avec toutes les réglementations applicables adoptées par l'Air Resources Board, qu'il est exempt de tout défaut de matière ou de construction susceptible d'entraîner la défaillance d'une pièce garantie et qu'il est matériellement identique en tous points au moteur décrit dans la demande de certification du fabricant. La période de garantie démarre à la date de l'achat initial du moteur.

La garantie sur les pièces liées aux émissions est comme suit :

- Toute pièce garantie dont le remplacement n'est pas prévu dans le cadre de la maintenance obligatoire indiquée dans le manuel d'utilisation fourni est garantie pendant la période susmentionnée. Si cette pièce se révèle être défectueuse au cours de la période de garantie, elle sera réparée ou remplacée par B&S sans frais à la charge du propriétaire. La pièce ainsi réparée ou remplacée sera garantie pendant la période restante.
 - Toute pièce garantie dont seule une inspection régulière est prévue dans le manuel d'utilisation fourni est garantie pendant la période susmentionnée. La pièce ainsi réparée ou remplacée sera garantie pendant la période restante.
 - Toute pièce garantie dont le remplacement est prévu dans le cadre de la maintenance obligatoire indiquée dans le manuel d'utilisation fourni est garantie pendant la période précédant le premier remplacement prévu de cette pièce. Si cette pièce se révèle être défectueuse avant le premier remplacement prévu, elle sera réparée ou remplacée par B&S sans frais à la charge du propriétaire. La pièce ainsi réparée ou remplacée sera garantie pour la période restante précédant le premier remplacement prévu de ladite pièce.
 - Les pièces ajoutées ou modifiées qui ne sont pas exemptées par l'Air Resources Board ne peuvent pas être utilisées. L'utilisation par le propriétaire de pièces ajoutées ou modifiées non exemptées sera un motif de rejet de toute réclamation. Le fabricant ne peut en aucun cas être tenu de garantir les défaillances de pièces garanties dues à l'utilisation de pièces non exemptées ajoutées ou modifiées.
3. Couverture des conséquences
La présente couverture s'étend à la défaillance de tout composant du moteur due à la défaillance d'une pièce liée aux émissions sous garantie.
4. Réclamations et exclusions de garantie
Les réclamations au titre de la garantie doivent être présentées selon les dispositions de la police de garantie des moteurs de B&S. La garantie ne couvre pas les défaillances de pièces liées aux émissions qui ne sont pas des pièces B&S d'origine ou les défaillances de pièces qui ont fait l'objet d'abus, de négligence ou d'un mauvais entretien ainsi qu'indiqué dans la police de garantie des moteurs de B&S. B&S n'est pas tenu de couvrir la garantie des défaillances des pièces liées aux émissions dues à l'utilisation de pièces rajoutées ou modifiées.

Sur l'étiquette d'émissions de petit moteur de votre V.T.T. sont indiqués les renseignements pertinents d'émission, de longueur de la période de conformité et d'indice de qualité de l'air.

Les renseignements concernant la période de durabilité des émissions et l'indice de pollution atmosphérique doivent être fournis avec les moteurs qui répondent aux normes relatives aux émissions de la California Air Resources Board (CARB). Briggs & Stratton rend cette information disponible aux consommateurs sur nos étiquettes des émissions. L'étiquette des émissions du moteur fournit des renseignements sur la certification.

La **période de durabilité des émissions** décrit le nombre d'heures pendant lesquelles le moteur peut fonctionner en respectant les normes relatives aux émissions, en supposant que l'entretien est effectué conformément au manuel d'utilisation. Les catégories utilisées sont les suivantes :

Modéré :

Les moteurs de 80 cc de cylindrée et moins peuvent fonctionner pendant 50 heures tout en respectant la norme relative aux émissions. Les moteurs de plus de 80 cc de cylindrée peuvent fonctionner pendant 125 heures tout en respectant la norme relative aux émissions.

Intermédiaire :

Les moteurs de 80 cc de cylindrée et moins peuvent fonctionner pendant 125 heures tout en respectant la norme relative aux émissions. Les moteurs de plus de 80 cc de cylindrée peuvent fonctionner pendant 250 heures tout en respectant la norme relative aux émissions.

Prolongé :

Les moteurs de 80 cc de cylindrée et moins peuvent fonctionner pendant 300 heures tout en respectant la norme relative aux émissions. Les moteurs de plus de 80 cc de cylindrée peuvent fonctionner pendant 500 heures tout en respectant la norme relative aux émissions.

Par exemple, l'utilisation d'une tondeuse poussée est d'environ 20 à 25 heures par année. Alors, la **période de durabilité des émissions** d'un moteur de cylindrée **moyenne** serait égale à 10-12 ans.

Les moteurs Briggs & Stratton sont homologués conformes aux normes d'émission USEPA [Agence de protection de l'environnement (EPA) des États-Unis] phase 2 ou phase 3. La période de conformité mentionnée à l'étiquette de conformité aux émissions indique le nombre d'heures de fonctionnement pour lesquelles le moteur de cette conception a démontré demeurer en conformité aux exigences d'émissions fédérales.

Pour les moteurs de déplacement de 80 cc ou moins :

Catégorie C = 50 heures, Catégorie B = 125 heures, Catégorie A = 300 heures

Pour les moteurs de déplacement entre 80 cc et 225 cc :

Catégorie C = 125 heures, Catégorie B = 250 heures, Catégorie A = 500 heures

Pour les moteurs de déplacement de 225 cc ou plus :

Catégorie C = 250 heures, Catégorie B = 500 heures, Catégorie A = 1 000 heures

80008114 (Rév. F)

Not for
Reproduction

Not for
Reproduction



Not for
Reproduction