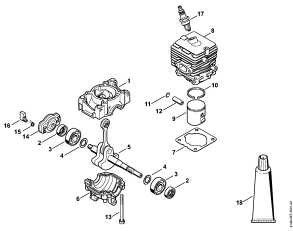


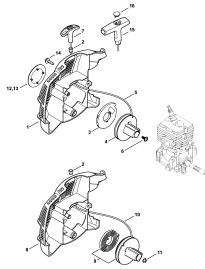
03-2017-D-GB

Table of contents

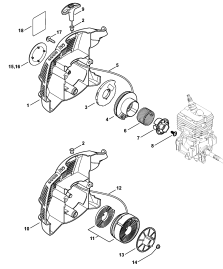
FS 56, FS 56 C, FS 56 R, FS 56 RC	4
Crankcase, Cylinder	6
Rewind starter	8
Rewind starter ErgoStart/Easy2Start	10
Muffler	12
Ignition system, Clutch	14
Engine housing (Bike handle)	16
Engine housing (Loop handle)	18
Air filter, Spacer flange	21
Carburetor C1M-S267	23
Carburetor C1M-S226, C1M-S207, C1M-S145	25
Carburetor C1M-S208, C1M-S146 California	28
Bike handle	30
Drive tube assembly, Loop handle	32
Gear head, Deflector	34
Tools, Extras	36
Serial number	38



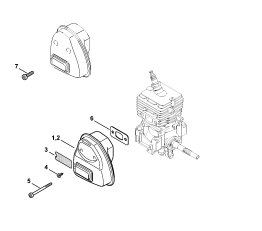
Crankcase, Cylinder



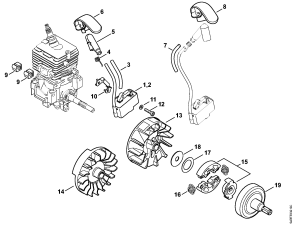
Rewind starter



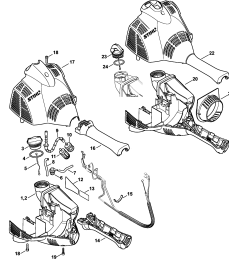
Rewind starter
ErgoStart/Easy2Start



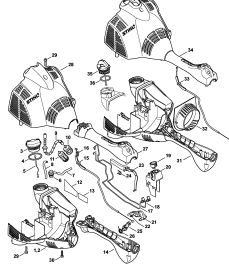
Muffler



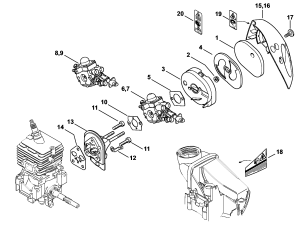
Ignition system, Clutch



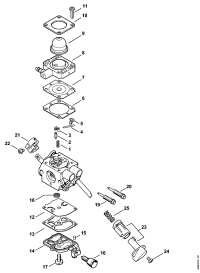
Engine housing (Bike
handle)



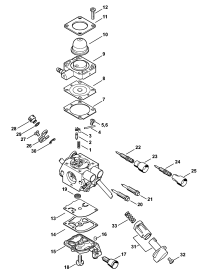
Engine housing (Loop
handle)



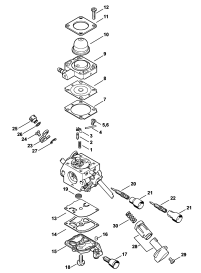
Air filter, Spacer flange



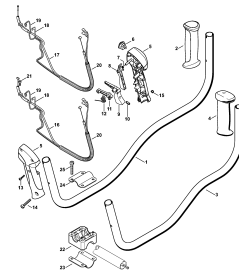
Carburetor C1M-S267



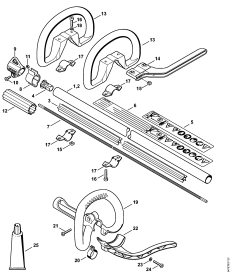
Carburetor C1M-S226,
C1M-S207, C1M-S145



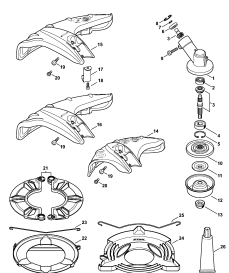
Carburetor C1M-S208,
C1M-S146 California



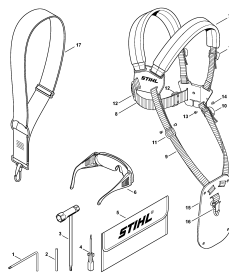
Bike handle



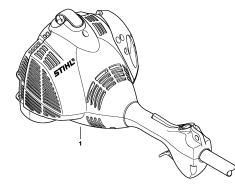
Drive tube assembly, Loop
handle



Gear head, Deflector



Tools, Extras



Serial number

(1) FS 56 - 4144, (2) FS 56 C-E, (3) FS 56 C-E Z, (4) FS 56 R, (5) FS 56 RC-E, (6) FS 56 RC-E Z

Description

Crankcase, Cylinder

Rewind starter

Rewind starter ErgoStart/Easy2Start

Muffler

Ignition system, Clutch

Engine housing (Bike handle)

Engine housing (Loop handle)

Air filter, Spacer flange

Carburetor C1M-S267

Carburetor C1M-S226, C1M-S207, C1M-S145

Carburetor C1M-S208, C1M-S146 California

Bike handle

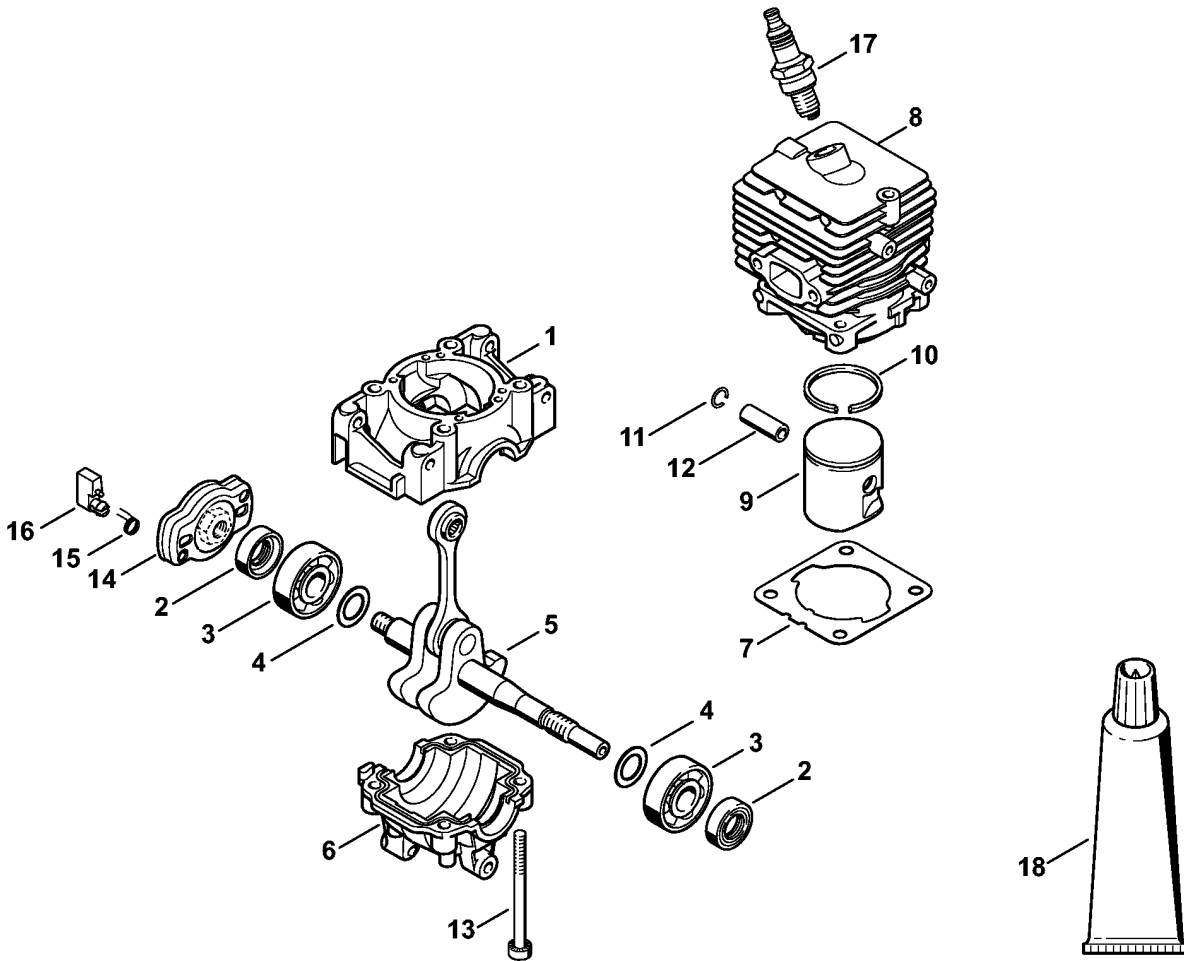
Drive tube assembly, Loop handle

Gear head, Deflector

Tools, Extras

Serial number

Crankcase, Cylinder

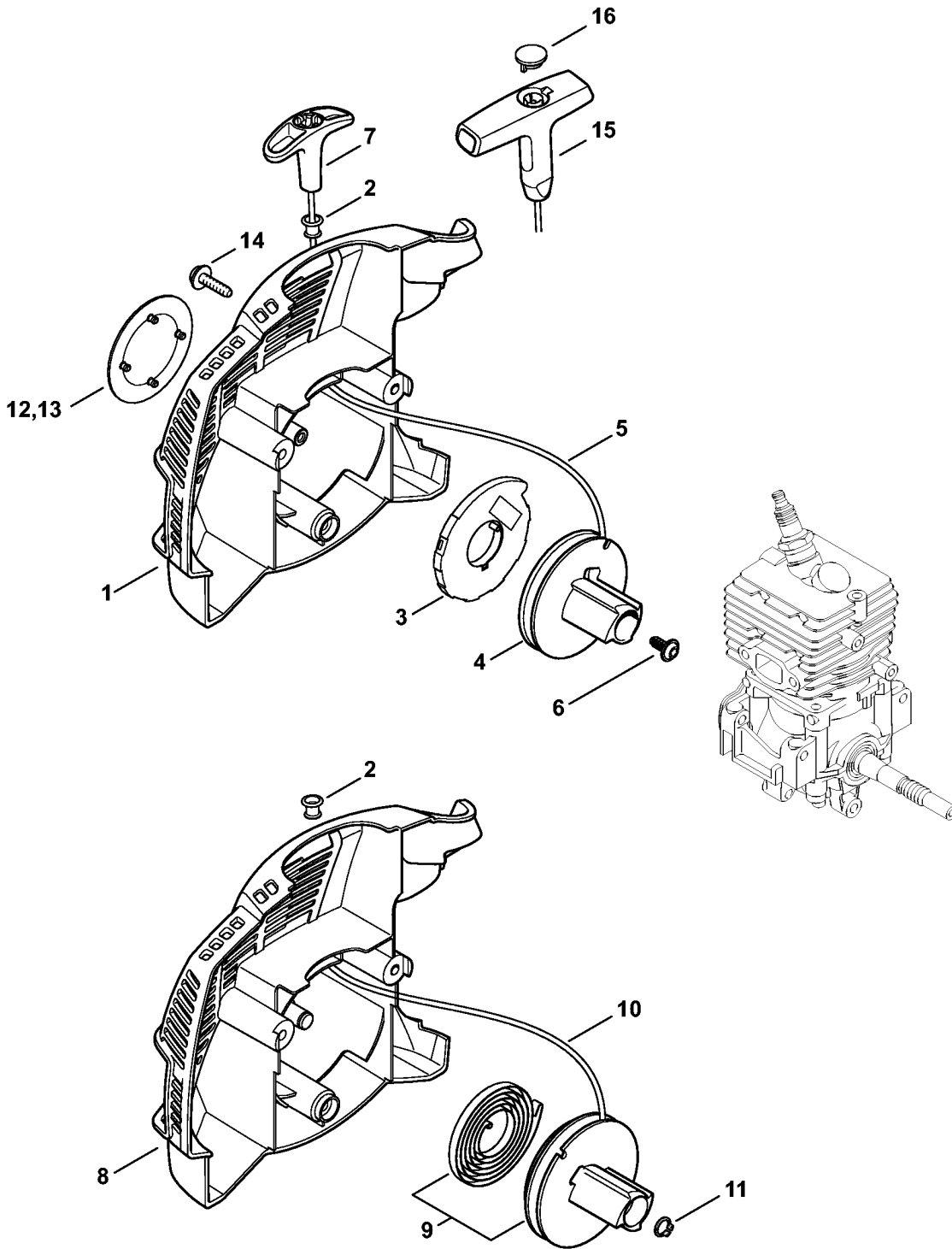


(1) FS 56 - 4144, (2) FS 56 C-E, (3) FS 56 C-E Z, (4) FS 56 R, (5) FS 56 RC-E, (6) FS 56 RC-E Z

Crankcase, Cylinder

Reference	Item number	Qty	Description	Contains	Technical Information
1	4144 021 0301	1	Crankcase		
2	9639 003 1230	2	Oil seal 12x22x7		
	4144 020 2050	1	Grooved ball bearing	3, 4	
3		2	Grooved ball bearing 6201 (D)		
4		2	Washer 9x15x0.2 (D)		
5	4144 030 0400	1	Crankshaft		25.2005
6	4144 021 2500	1	Engine pan		
7	4144 029 2301	1	Cylinder gasket		
8	4144 020 1200	1	Cylinder with piston Ø 34 mm	9 - 13	
9	4144 030 2002	1	Piston Ø 34 mm	10 - 12	
10	4144 034 3000	1	Piston ring Ø 34x1.2 mm		
11	9463 650 0805	1	Snap ring 8x0.7		
12	4241 034 1500	1	Piston pin 8x5x22		
13	9075 478 4268	4	Pan head self-tapping screw IS-D5x60		
14	4140 190 2010	1	Driver	15, 16	
15	0000 998 0612	2	Torsion spring		
16	4133 195 7201	2	Pawl		
17	0000 400 7011	1	Spark plug NGK CMR6H		
18	0783 830 2000	1	Tube of sealant HT red (B)		
	4144 007 1012	1	Set of gaskets	2, 7	

Rewind starter



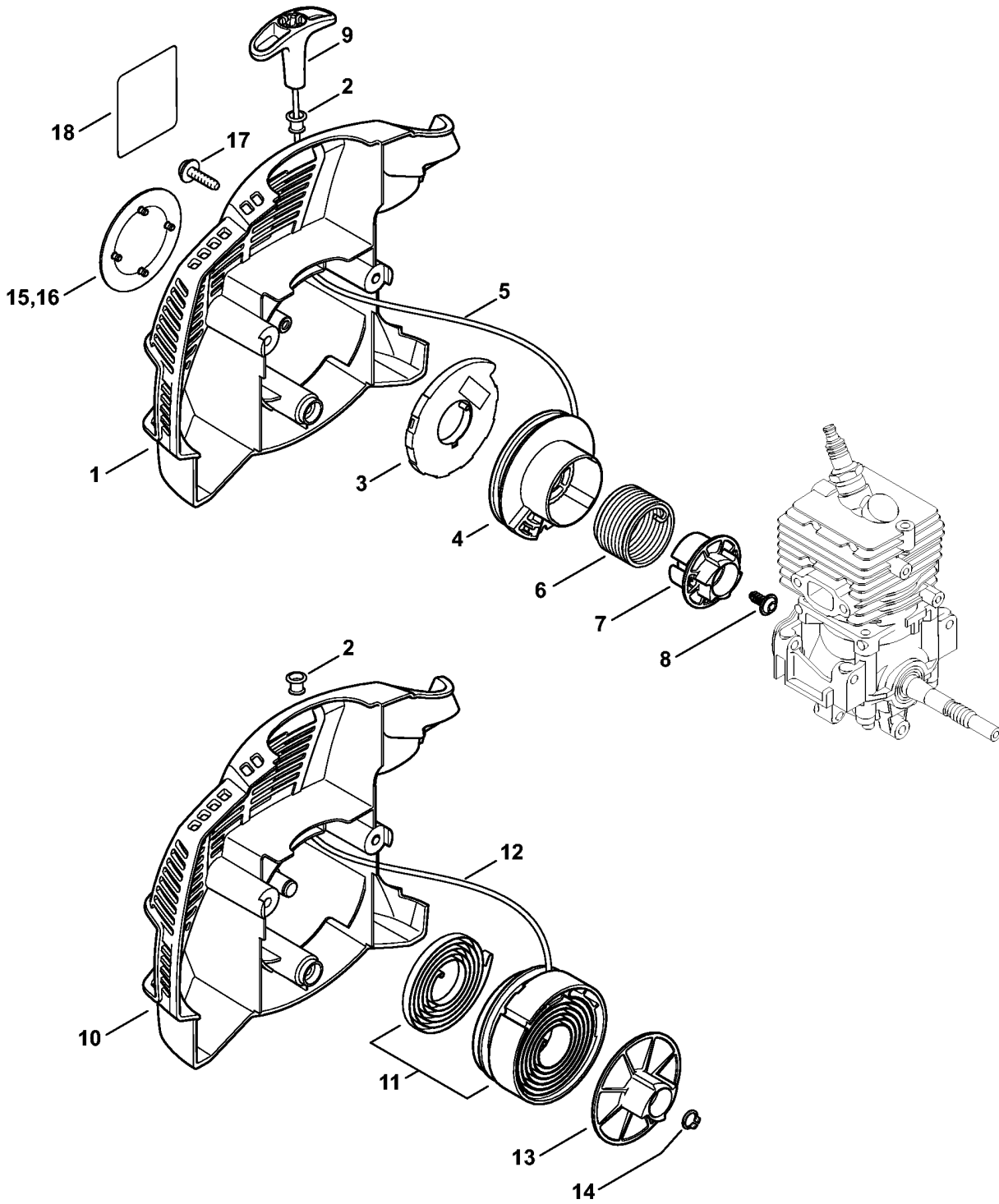
547ET025 SC

Rewind starter

Reference	Item number	Qty	Description	Contains	Technical Information
	4144 190 4004	1	Rewind starter (1,4)	1 - 7	
1	4144 190 0406	1	Starter cover (1,4)	2	
2	9416 868 6650	1	Rivet 6.5x0.5x8.8 (1,4)		
3	4180 190 0600	1	Rewind spring (1,4)		
4	4144 195 0402	1	Rope rotor (1,4)		
5	4137 195 8200	1	Starter rope Ø 2.7x910 mm (1,4)		
	0000 930 2281	1	Starter rope Ø 2.7 mm x 30.8 m (A,B) (1,4)		
6	9104 003 0960	1	Self-tapping screw P5.5x12 (1,4)		
7	4140 195 3400	1	Starter grip (1,4)		
8	* 4144 190 0400	1	Starter cover (1,4)	2	48.2013
9	* 4144 190 1100	1	Rope rotor with rewind spring (1,4)		48.2013
10	* 4237 195 8200	1	Starter rope Ø 2.7x1010 mm (1,4)		48.2013
11	* 9455 621 0750	1	Circlip 9x1 (1,4)		48.2013
12	4144 967 1502	1	Model plate FS 56 (1)		
13	4144 967 1503	1	Model plate FS 56 R (4)		
14	0000 951 1100	3	Screw IS-D5x20 (1,4)		
15	0000 190 3403	1	Starter grip ElastoStart Ø 2,7 mm (B) (1,4)	5, 16	
16	0000 195 7000	1	Cap (B) (1,4)		

(1) FS 56 - 4144, (2) FS 56 C-E, (3) FS 56 C-E Z, (4) FS 56 R, (5) FS 56 RC-E, (6) FS 56 RC-E Z

Rewind starter ErgoStart/Easy2Start

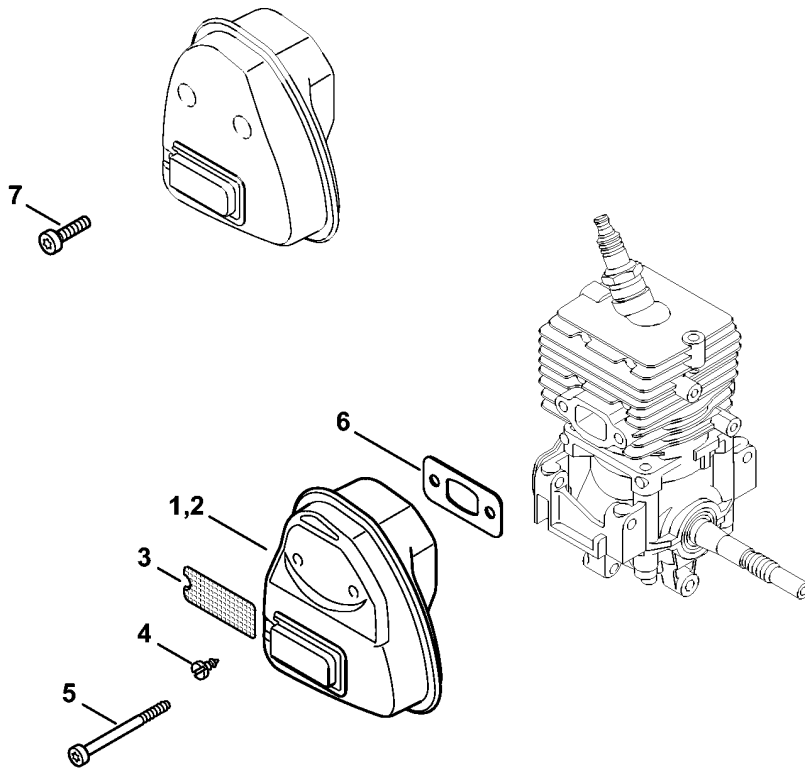


(1) FS 56 - 4144, (2) FS 56 C-E, (3) FS 56 C-E Z, (4) FS 56 R, (5) FS 56 RC-E, (6) FS 56 RC-E Z

Rewind starter ErgoStart/Easy2Start

Reference	Item number	Qty	Description	Contains	Technical Information
	4144 190 4013	1	Rewind starter (2,3,5,6)	1 - 9	
1	4144 190 0406	1	Starter cover (2,3,5,6)	2	
2	9416 868 6650	1	Rivet 6.5x0.5x8.8 (2,3,5,6)		
3	4180 190 0600	1	Rewind spring (2,3,5,6)		
4	4144 195 0401	1	Rope rotor (2,3,5,6)		
5	4137 195 8200	1	Starter rope Ø 2.7x910 mm (2,3,5,6)		
	0000 930 2281	1	Starter rope Ø 2.7 mm x 30.8 m (A,B) (2,3,5,6)		
6	4149 195 3500	1	Spring (2,3,5,6)		
7	4144 195 2001	1	Carrier (2,3,5,6)		
8	9104 003 0960	1	Self-tapping screw P5.5x12 (2,3,5,6)		
9	4140 195 3400	1	Starter grip (2,3,5,6)		
10	* 4144 190 0400	1	Starter cover (2,3,5,6)	2	48.2013
11	* 4144 190 1111	1	Rope rotor with rewind spring (2,3,5,6)		48.2013
12	* 4237 195 8200	1	Starter rope Ø 2.7x1010 mm (2,3,5,6)		48.2013
13	* 4144 195 2000	1	Carrier (2,3,5,6)		48.2013
14	* 9455 621 0750	1	Circlip 9x1 (2,3,5,6)		48.2013
15	4144 967 1509	1	Model plate FS 56 C (2,3)		
16	4144 967 1510	1	Model plate FS 56 RC (5,6)		
17	0000 951 1100	3	Screw IS-D5x20 (2,3,5,6)		
18	* 0000 967 4055	1	Warning Spark arresting screen USA (3,6)		

(1) FS 56 - 4144, (2) FS 56 C-E, (3) FS 56 C-E Z, (4) FS 56 R, (5) FS 56 RC-E, (6) FS 56 RC-E Z

Muffler

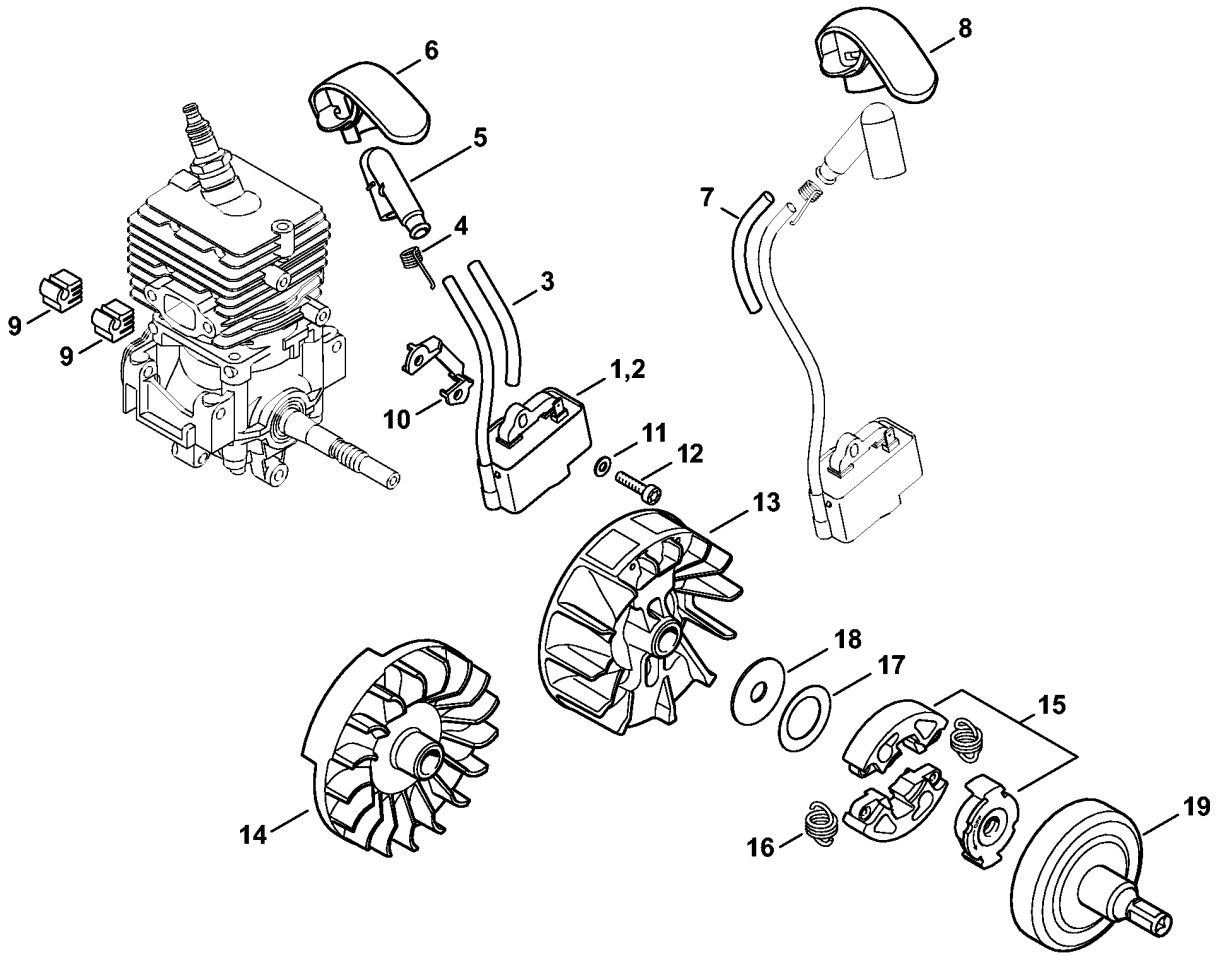
0414ET022 AM

Muffler

Reference	Item number	Qty	Description	Contains
1	4144 140 0604	1	Muffler (1,2,4,5)	
2	4144 140 0607	1	Muffler USA, AUS, CDN (3,6)	3, 4
3	4144 141 9000	1	Screen USA, AUS, CDN (3,6)	
4	9099 021 0810	1	Self-tapping screw 4.2x9.5 USA, AUS, CDN (3,6)	
5	9075 478 4268	2	Pan head self-tapping screw IS-D5x60	
6	4144 149 0600	1	Muffler gasket	
7	* 9075 478 4136	2	Pan head self-tapping screw IS-D5x20	
	4144 007 1012	1	Set of gaskets	6

(1) FS 56 - 4144, (2) FS 56 C-E, (3) FS 56 C-E Z, (4) FS 56 R, (5) FS 56 RC-E, (6) FS 56 RC-E Z

Ignition system, Clutch



547ET032 SC

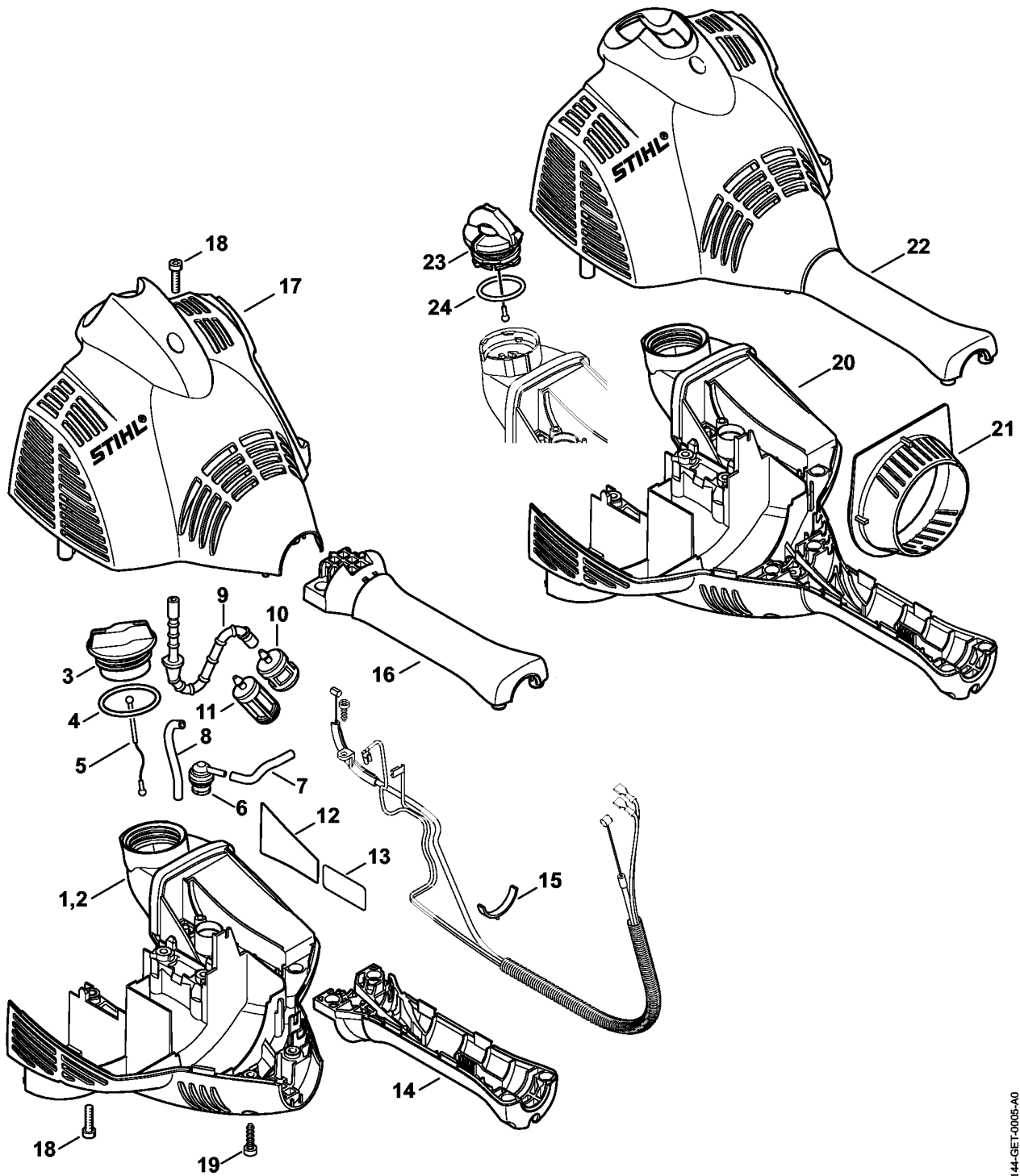
(1) FS 56 - 4144, (2) FS 56 C-E, (3) FS 56 C-E Z, (4) FS 56 R, (5) FS 56 RC-E, (6) FS 56 RC-E Z

Ignition system, Clutch

Reference	Item number	Qty	Description	Contains	Technical Information
1	4144 400 1320	1	Ignition module	3 - 5	
2	* 4144 400 1303	1	Ignition module	3 - 6	49.2013
3	4144 442 0400	1	Insulating hose		
4	0000 998 0618	1	Torsion spring		
5	4144 405 1000	1	Spark plug boot		
6	* 4144 405 8100	1	Protective cap		48.2013
7	* 4144 442 0401	1	Insulating hose		32.2010
8	* 4144 405 8101	1	Protective cap		32.2010
9	* 4144 448 1200	2	Lead retainer		32.2010
10	4241 405 8000	1	Insulator		
11	9291 021 0100	2	Washer 4.3		
12	9075 478 3018	2	Pan head self-tapping screw IS-D4x18		
13	4144 400 1203	1	Flywheel		25.2005
14	* 4144 400 1202	1	Flywheel		49.2013 25.2005
15	4140 160 2005	1	Clutch	16 - 18	
16	4140 162 7901	2	Tension spring		
17		1	Cup spring 31.7x20.4x0.4 (D)		
18	4140 162 8900	1	Washer		
19	4144 160 2904	1	Clutch drum		

(1) FS 56 - 4144, (2) FS 56 C-E, (3) FS 56 C-E Z, (4) FS 56 R, (5) FS 56 RC-E, (6) FS 56 RC-E Z

Engine housing (Bike handle)



4144-GET-0005-A0

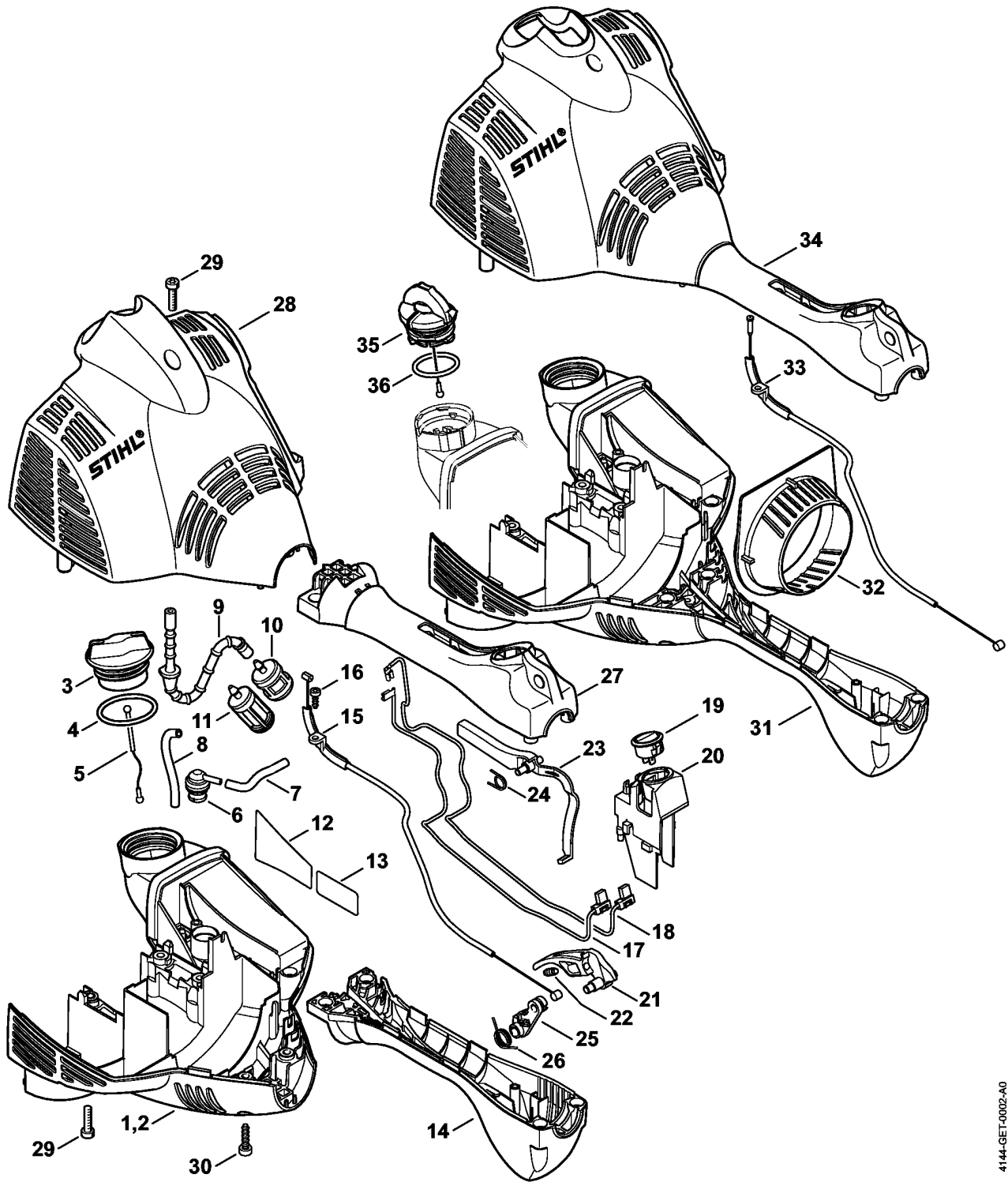
(1) FS 56 - 4144, (2) FS 56 C-E, (3) FS 56 C-E Z, (4) FS 56 R, (5) FS 56 RC-E, (6) FS 56 RC-E Z

Engine housing (Bike handle)

Reference	Item number	Qty	Description	Contains	Technical Information
1	4144 020 3027	1	Engine housing (1,2)	3 - 10	
2	4144 020 3028	1	Engine housing USA (3)	3 - 10, 12	
3	0000 350 0527	1	Filler cap (1,2,3)	4, 5	
4	9645 951 3890	1	O-ring 35x3-FPM 80 (1,2,3)		
5	0000 350 0900	1	Rope (1,2,3)		
6	0000 350 5807	1	Tank vent (1,2,3)		
7		1	Hose 3.1x5.7x53 mm, R3 (D) (1,2,3)		
8		1	Hose 3.1x5.7x85 mm, R3 (D) (1,2,3)		
	0000 930 2803	1	Hose 3.1x5.7 mm x 1 m, R3 (A,B) (1,2,3)		
9	4144 358 0800	1	Hose (1,2,3)		
10	0000 350 3513	1	Pickup body (1,2,3)		
11	0000 350 3502	1	Pickup body (1,2,3)		
12	* 0000 967 4074	1	Warning pictogram filler cap USA (3)		
13	4241 967 7200	1	Warning pictogram Filler cap USA (3)		
14	4144 791 0903	1	Clamp, base (1,2,3)		
15	4144 182 2100	1	Support (1,2,3)		
16	4144 791 0902	1	Clamp, top (1,2,3)		
17	4144 080 1605	1	Shroud (1,2,3)		
18	9075 478 4136	5	Pan head self-tapping screw IS-D5x20 (1,2,3)		
19	9074 477 4135	7	Pan head self-tapping screw IS-P5x20 (1,2,3)		
20	* 4144 020 3019	1	Engine housing (1,2,3)	3 - 10, 12	48.2013
21	* 4144 084 2500	1	Air baffle (C) (1,2,3)		
22	* 4144 080 1610	1	Shroud (1,2,3)		48.2013
23	* 0000 350 0532	1	Filler cap (1,2,3)	24	14.2012
24	* 9645 948 7734	1	O-ring 25x3.5 (1,2,3)		14.2012

(1) FS 56 - 4144, (2) FS 56 C-E, (3) FS 56 C-E Z, (4) FS 56 R, (5) FS 56 RC-E, (6) FS 56 RC-E Z

Engine housing (Loop handle)



4144-GET-0002-A0

(1) FS 56 - 4144, (2) FS 56 C-E, (3) FS 56 C-E Z, (4) FS 56 R, (5) FS 56 RC-E, (6) FS 56 RC-E Z

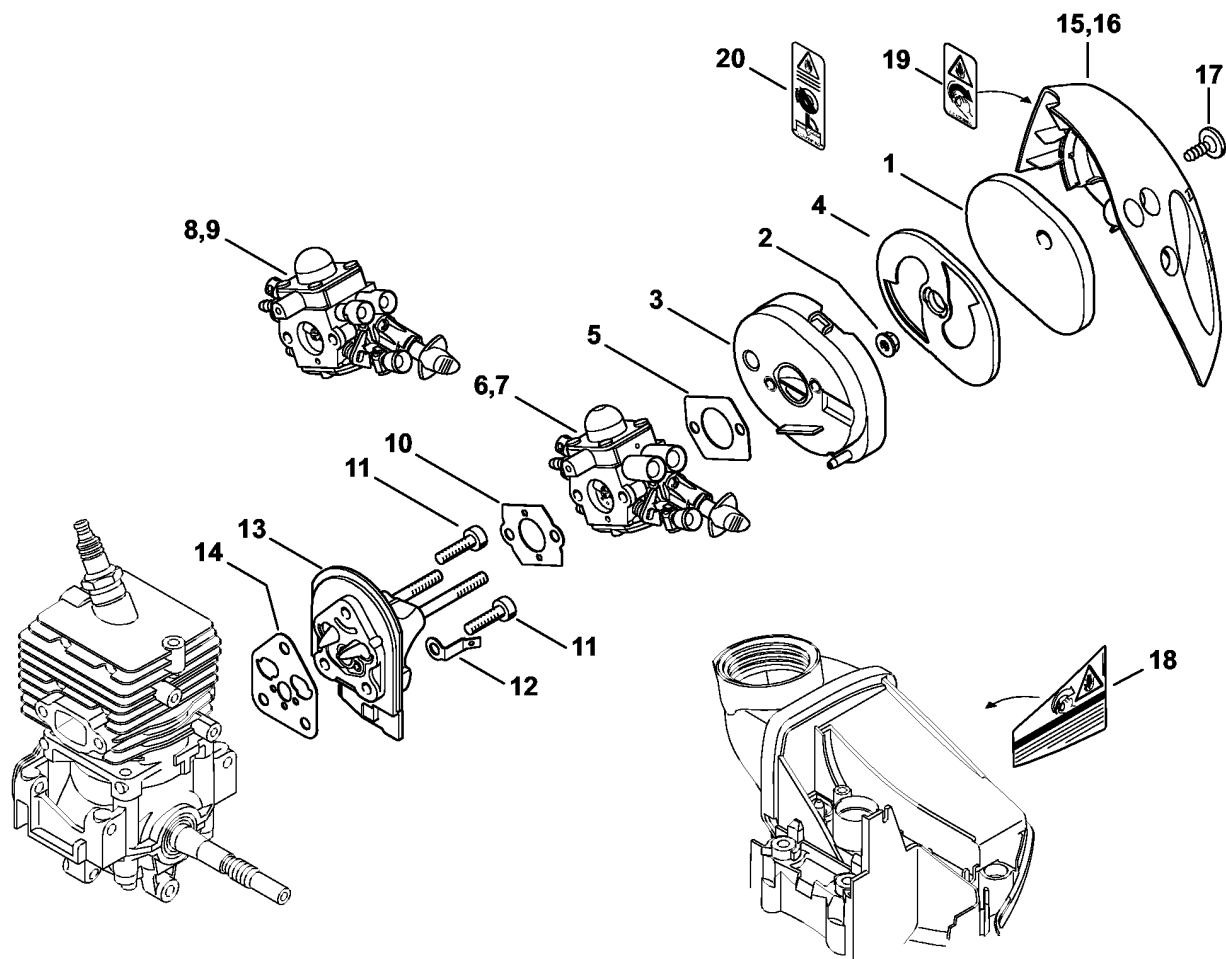
Engine housing (Loop handle)

Reference	Item number	Qty	Description	Contains	Technical Information
1	4144 020 3027	1	Engine housing (4,5)	3 - 10	
2	4144 020 3028	1	Engine housing USA (6)	3 - 10, 12	
3	0000 350 0527	1	Filler cap (4,5,6)	4, 5	
4	9645 951 3890	1	O-ring 35x3-FPM 80 (4,5,6)		
5	0000 350 0900	1	Rope (4,5,6)		
6	0000 350 5807	1	Tank vent (4,5,6)		
7		1	Hose 3.1x5.7x53 mm, R3 (D) (4,5,6)		
8		1	Hose 3.1x5.7x85 mm, R3 (D) (4,5,6)		
	0000 930 2803	1	Hose 3.1x5.7 mm x 1 m, R3 (A,B) (4,5,6)		
9	4144 358 0800	1	Hose (4,5,6)		
10	0000 350 3513	1	Pickup body (4,5,6)		
11	0000 350 3502	1	Pickup body (4,5,6)		
12	* 0000 967 4074	1	Warning pictogram filler cap USA (6)		
13	4241 967 7200	1	Warning pictogram Filler cap USA (6)		
14	4144 791 0806	1	Lower handle molding (4,5,6)		
15	4144 180 1104	1	Throttle cable (4,5,6)		
16	9074 477 2995	1	Pan head self-tapping screw IS-P4x12 (4,5,6)		
17	4144 440 1901	1	Lead (4,5,6)		
18	4144 440 1900	1	Lead (4,5,6)		
19	4144 430 0200	1	Stop switch (4,5,6)		
20	4144 791 5400	1	Support (4,5,6)		
21	4144 180 1550	1	Throttle trigger (4,5,6)	22, 25	
22		1	Stud (D) (4,5,6)		
23	4140 182 0800	1	Lockout lever (4,5,6)		
24	4140 182 4505	1	Torsion spring (4,5,6)		
25		1	Lever (D) (4,5,6)		
26	4144 182 4501	1	Torsion spring (4,5,6)		
27	4144 791 0807	1	Upper handle molding (4,5,6)		
28	4144 080 1605	1	Shroud (4,5,6)		
29	9075 478 4136	5	Pan head self-tapping screw IS-D5x20 (4,5,6)		
30	9074 477 4135	7	Pan head self-tapping screw IS-P5x20 (4,5,6)		
31	* 4144 020 3018	1	Engine housing (4,5,6)	3 - 10, 12	48.2013

(1) FS 56 - 4144, (2) FS 56 C-E, (3) FS 56 C-E Z, (4) FS 56 R, (5) FS 56 RC-E, (6) FS 56 RC-E Z

Engine housing (Loop handle)

Reference	Item number	Qty	Description	Contains	Technical Information
32	* 4144 084 2500	1	Air baffle (C) (4,5,6)		
33	* 4144 180 1100	1	Throttle cable (4,5,6)		48.2013
34	* 4144 080 1600	1	Shroud (4,5,6)		48.2013
35	* 0000 350 0532	1	Filler cap (4,5,6)	36	14.2012
36	* 9645 948 7734	1	O-ring 25x3.5 (4,5,6)		14.2012



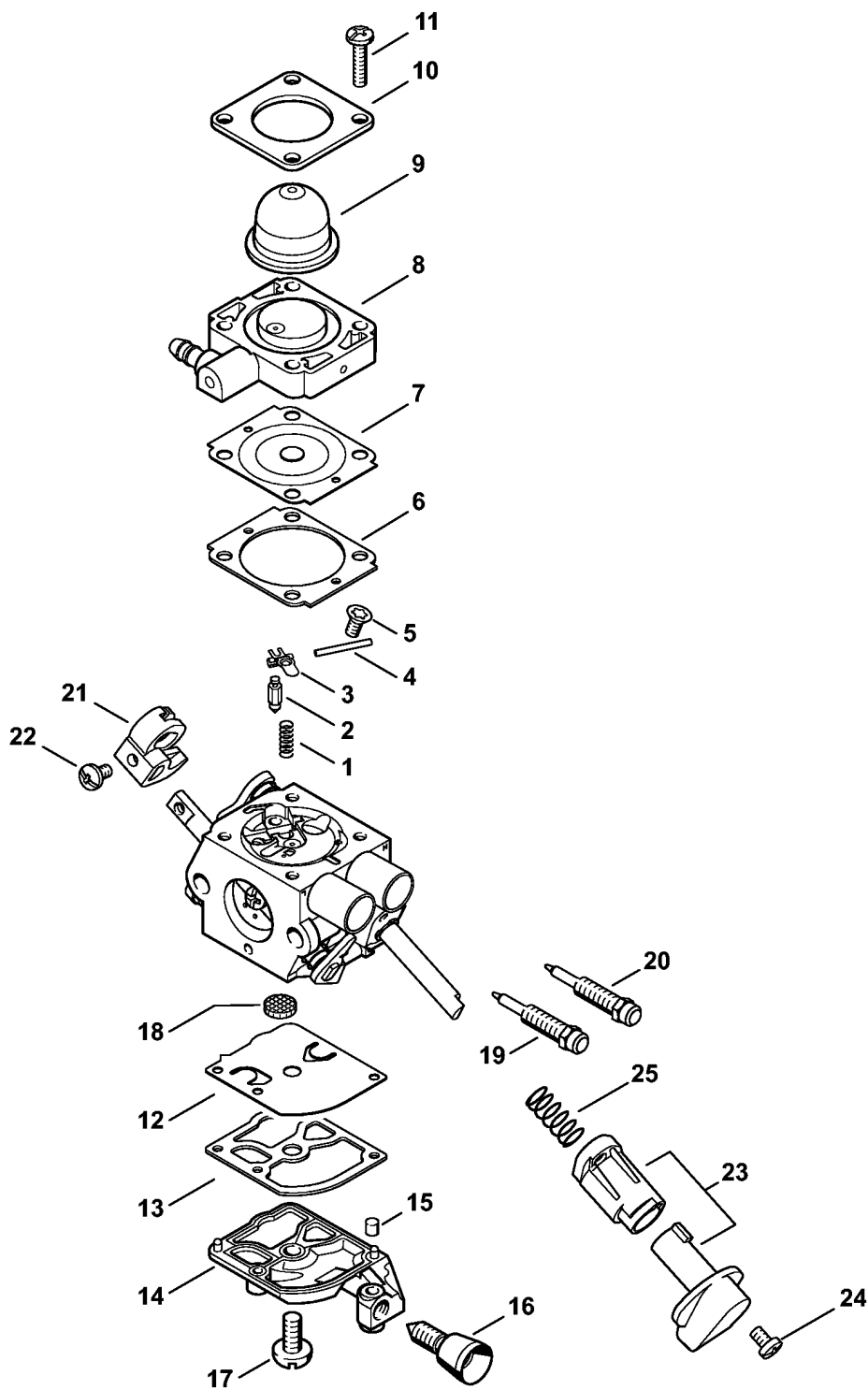
546ET034 SC

(1) FS 56 - 4144, (2) FS 56 C-E, (3) FS 56 C-E Z, (4) FS 56 R, (5) FS 56 RC-E, (6) FS 56 RC-E Z

Air filter, Spacer flange

Reference	Item number	Qty	Description	Contains	Technical Information
1	4144 124 2800	1	Filter		
2	9216 261 0700	2	Hexagon nut M5		
3	4144 140 2805	1	Filter housing	2, 4	
4	4144 121 6900	1	Baffle		
5	4114 149 1205	1	Gasket		
6	4144 120 0608	1	Carburetor C1M-S267C		
7	* 4144 120 0605	1	Carburetor C1M-S226A		48.2013 19.2013
8	* 4144 120 0603	1	Carburetor C1M-S207		19.2013
9	* 4144 120 0604	1	Carburetor C1M-S208 California		19.2013
10	4128 129 0900	1	Gasket		
11	9075 478 4136	3	Pan head self-tapping screw IS-D5x20		
12	4144 431 2100	1	Connector tag		
13	4144 120 2301	1	Spacer flange		
14	4144 129 0900	1	Gasket		
15	4144 140 1000	1	Filter cover	17	
16	4144 140 1001	1	Filter cover USA (3,6)	17, 18, 20	
17	0000 951 1105	1	Pan head self-tapping screw IS-P5x14		
18	* 0000 967 4074	1	Warning pictogram filler cap (3,6)		
19	* 0000 967 7222	1	Warning pictogram filler cap USA (3,6)		
20	* 0000 967 3605	1	Warning pictogram Filler cap USA (3,6)		14.2012
	4144 007 1012	1	Set of gaskets	5, 10, 14	

(1) FS 56 - 4144, (2) FS 56 C-E, (3) FS 56 C-E Z, (4) FS 56 R, (5) FS 56 RC-E, (6) FS 56 RC-E Z

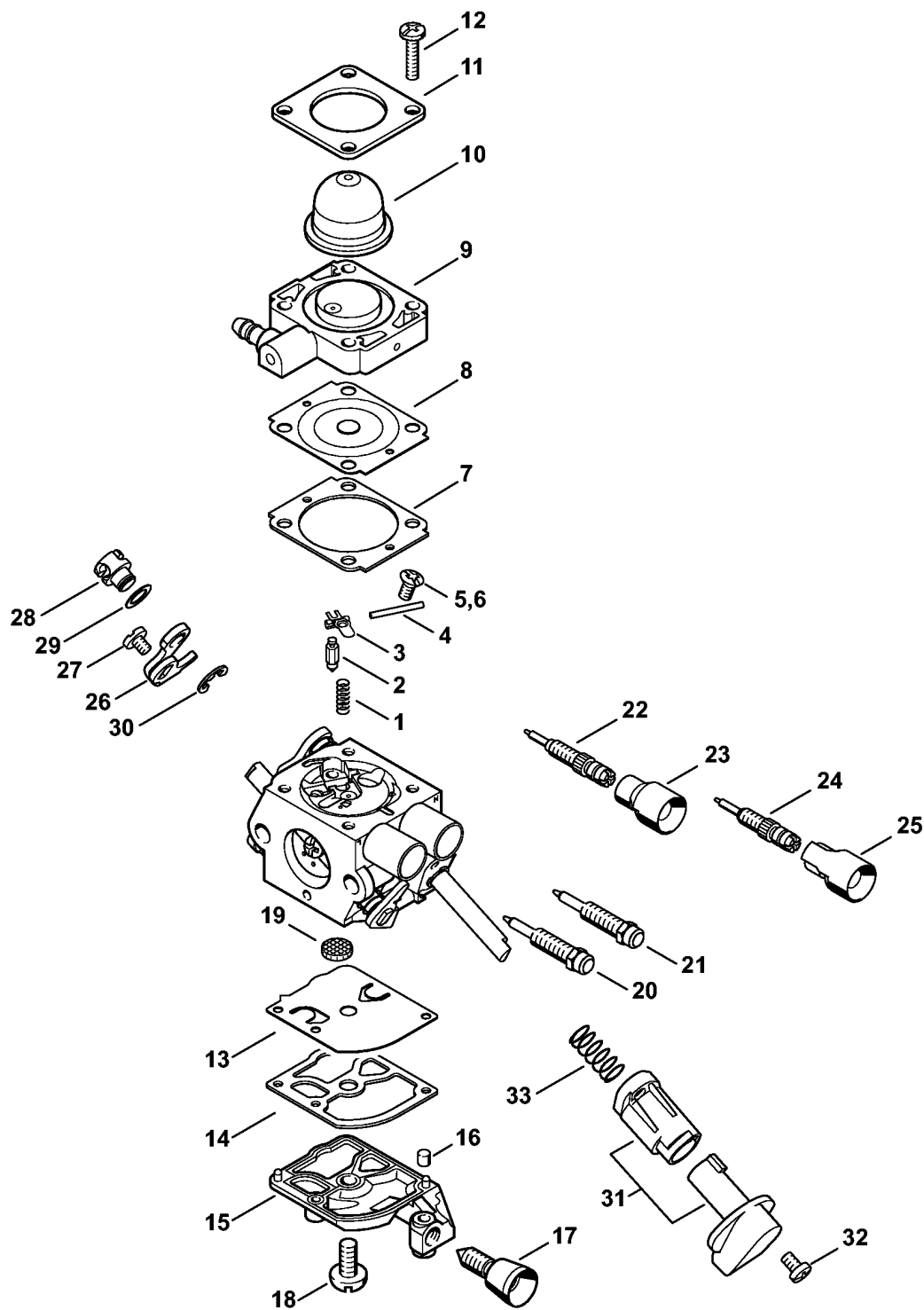


546ET031 SC

(1) FS 56 - 4144, (2) FS 56 C-E, (3) FS 56 C-E Z, (4) FS 56 R, (5) FS 56 RC-E, (6) FS 56 RC-E Z

Carburetor C1M-S267

Reference	Item number	Qty	Description	Contains
	4144 120 0608	1	Carburetor C1M-S267C	1 - 25
1	4128 122 3000	1	Spring	
2	4116 121 5100	1	Inlet needle	
3	1125 121 5000	1	Inlet control lever	
4	1120 121 9200	1	Spindle	
5	0000 122 7101	1	Screw	
6	4241 129 0901	1	Gasket	
7	4241 121 4702	1	Metering diaphragm	
8	4144 120 2200	1	Flange	
9	4226 121 2700	1	Cap	
10	4140 121 0800	1	End cover	
11	4241 122 7100	4	Screw	
12	4241 121 4800	1	Pump diaphragm	
13	1123 129 0905	1	Gasket	
14	4241 121 0800	1	End cover	
15	1125 122 4200	1	Clamp	
16	4140 122 6200	1	Idle speed screw	
17	1120 122 7800	1	Oval head screw	
18	1123 121 7800	1	Strainer	
19	4144 122 6802	1	Low speed screw	
20	4144 122 6700	1	High speed screw	
21	4144 121 3501	1	Throttle lever	
22	4132 122 6600	1	Collar screw	
23	4144 180 9500	1	Choke knob	24, 25
24	4144 122 7100	1	Screw	
25		1	Spring (D)	
	4241 007 1002	1	Set of carburetor parts	6, 7, 12, 13



546ET024 AM

(1) FS 56 - 4144, (2) FS 56 C-E, (3) FS 56 C-E Z, (4) FS 56 R, (5) FS 56 RC-E, (6) FS 56 RC-E Z

Carburetor C1M-S226, C1M-S207, C1M-S145

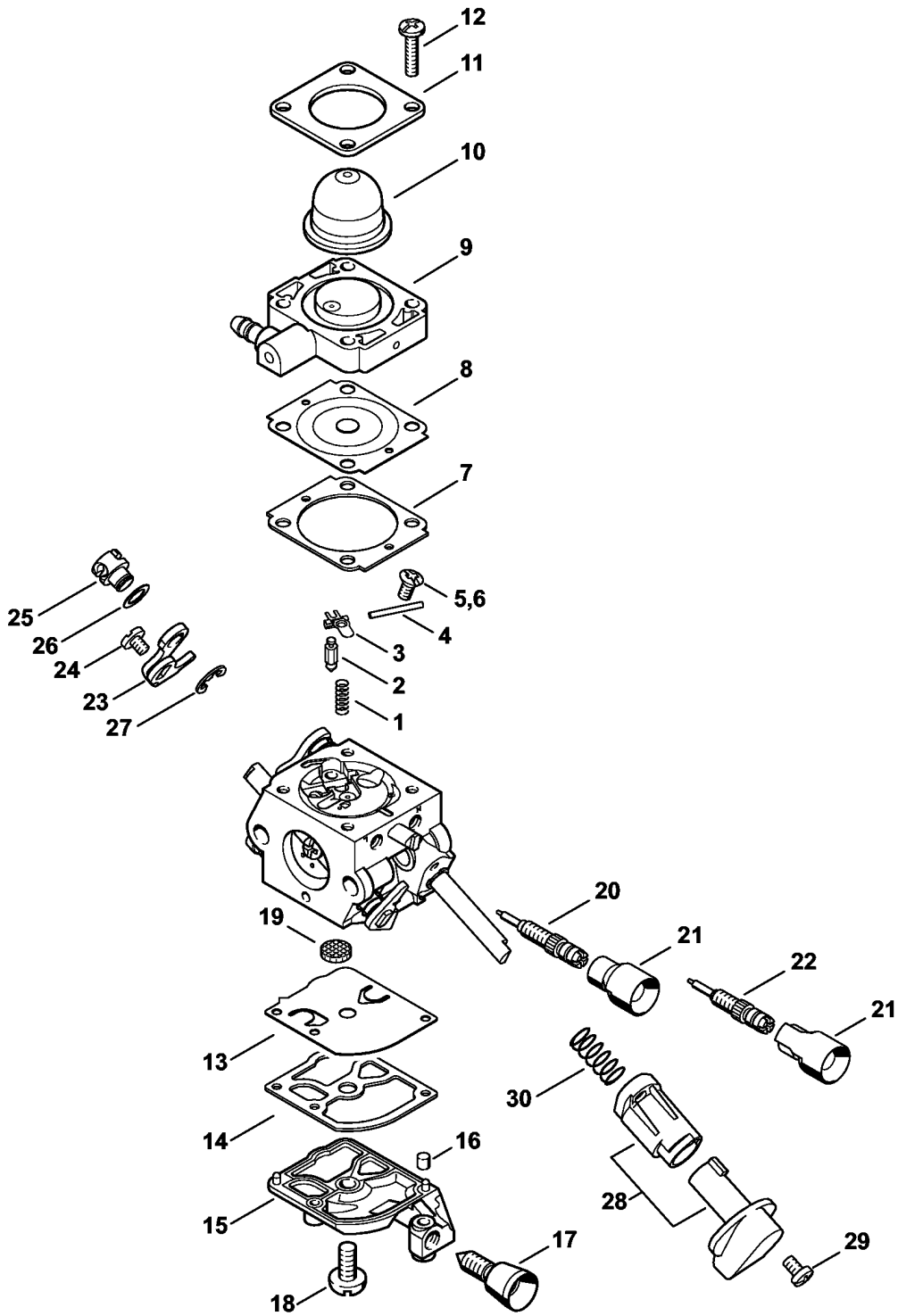
Reference	Item number	Qty	Description	Contains	Technical Information
	* 4144 120 0605	1	Carburetor C1M-S226A	1 - 5, 7 - 21, 26 - 33	48.2013 19.2013
	* 4144 120 0603	1	Carburetor C1M-S207	1 - 5, 7 - 19, 22 - 33	19.2013
	* 4144 120 0600	1	Carburetor C1M-S145C (C)	1 - 4, 6 - 19, 22 - 33	39.2011
1	* 4128 122 3000	1	Spring		48.2013
2	* 4116 121 5100	1	Inlet needle		48.2013
3	* 1125 121 5000	1	Inlet control lever		48.2013
4	* 1120 121 9200	1	Spindle		48.2013
5	* 0000 122 7101	1	Screw		48.2013
6	* 4241 122 6600	1	Collar screw		39.2011
7	* 4241 129 0901	1	Gasket		48.2013
8	* 4241 121 4702	1	Metering diaphragm		48.2013
9	* 4144 120 2200	1	Flange		48.2013
10	* 4226 121 2700	1	Cap		48.2013
11	* 4140 121 0800	1	End cover		48.2013
12	* 4241 122 7100	4	Screw		48.2013
13	* 4241 121 4800	1	Pump diaphragm		48.2013
14	* 1123 129 0905	1	Gasket		48.2013
15	* 4241 121 0800	1	End cover		48.2013
16	* 1125 122 4200	1	Clamp		48.2013
17	* 4140 122 6200	1	Idle speed screw		48.2013
18	* 1120 122 7800	1	Oval head screw		48.2013
19	* 1123 121 7800	1	Strainer		48.2013
20	* 4144 122 6802	1	Low speed screw		48.2013 19.2013
21	* 4144 122 6700	1	High speed screw		48.2013 19.2013
22	* 4144 122 6801	1	Low speed screw		19.2013
23	* 4144 121 2700	1	Cap		19.2013
24	* 4241 122 6700	1	High speed screw		19.2013
25	* 4229 121 2701	1	Cap		19.2013
26	* 4144 121 3500	1	Throttle lever		48.2013
27	* 9079 319 0280	1	Flat head screw M3x3.5		48.2013
28	* 4144 121 8900	1	Pin		48.2013
29	* 4137 121 8600	1	Washer		48.2013
30	* 1120 122 9000	1	E-clip		48.2013
31	* 4144 180 9500	1	Choke knob	32, 33	48.2013
32	* 4144 122 7100	1	Screw		48.2013
33	*	1	Spring (D)		48.2013

(1) FS 56 - 4144, (2) FS 56 C-E, (3) FS 56 C-E Z, (4) FS 56 R, (5) FS 56 RC-E, (6) FS 56 RC-E Z

Carburetor C1M-S226, C1M-S207, C1M-S145

Reference	Item number	Qty	Description	Contains	Technical Information
*	4241 007 1002	1	Set of carburetor parts	7, 8, 13, 14	48.2013

Carburetor C1M-S208, C1M-S146 California



546ET020 SC

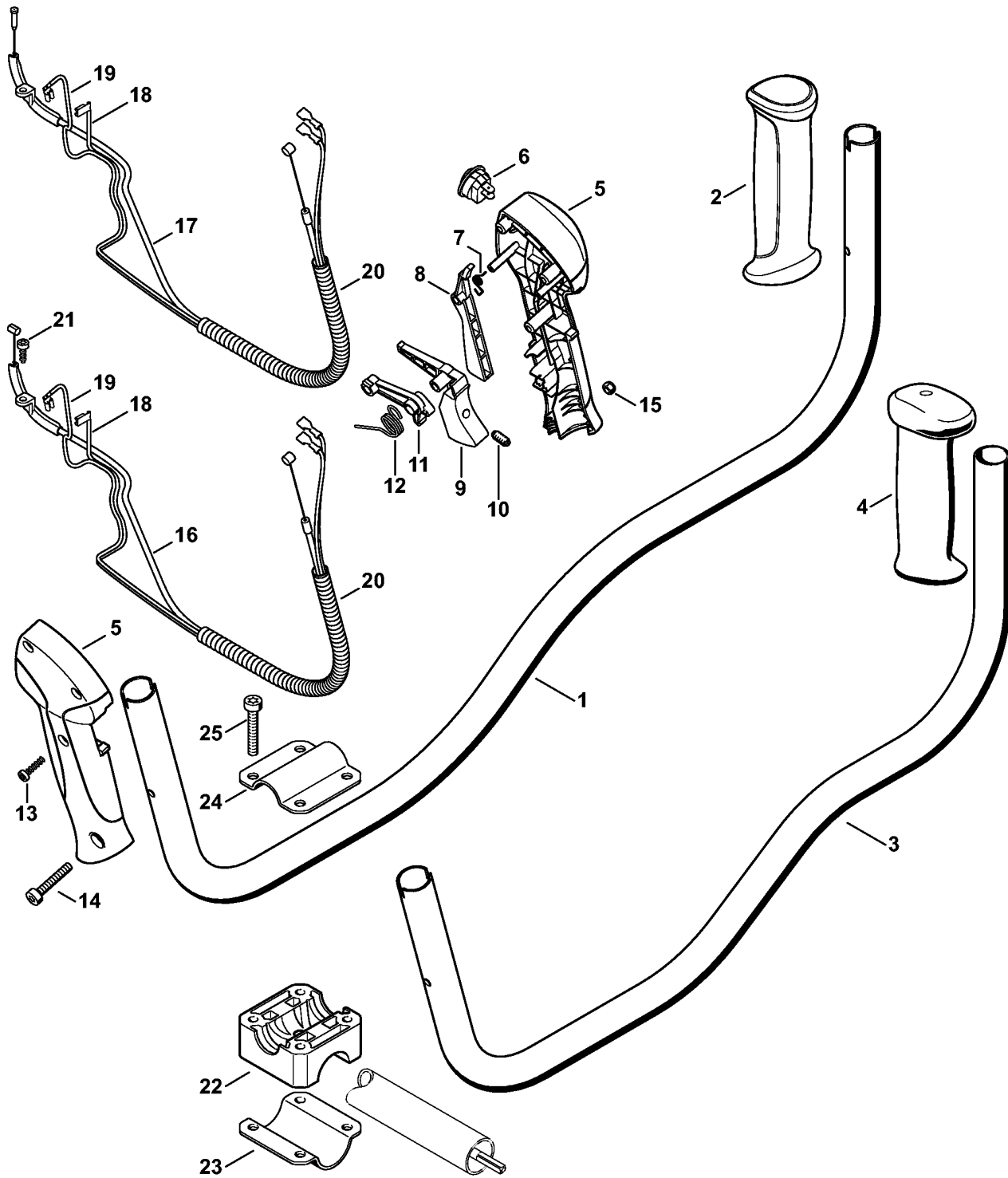
(1) FS 56 - 4144, (2) FS 56 C-E, (3) FS 56 C-E Z, (4) FS 56 R, (5) FS 56 RC-E, (6) FS 56 RC-E Z

Carburetor C1M-S208, C1M-S146 California

Reference	Item number	Qty	Description	Contains	Technical Information
	* 4144 120 0604	1	Carburetor C1M-S208 California	1 - 5, 7 - 30	19.2013
	* 4144 120 0601	1	Carburetor C1M-S146C (C) California	1 - 4, 6 - 30	39.2011
1	* 4128 122 3000	1	Spring		19.2013
2	* 4116 121 5100	1	Inlet needle		19.2013
3	* 1125 121 5000	1	Inlet control lever		19.2013
4	* 1120 121 9200	1	Spindle		19.2013
5	* 0000 122 7101	1	Screw		19.2013
6	* 4241 122 6600	1	Collar screw		39.2011
7	* 4241 129 0901	1	Gasket		19.2013
8	* 4241 121 4702	1	Metering diaphragm		19.2013
9	* 4144 120 2200	1	Flange		19.2013
10	* 4226 121 2700	1	Cap		19.2013
11	* 4140 121 0800	1	End cover		19.2013
12	* 4241 122 7100	4	Screw		19.2013
13	* 4241 121 4800	1	Pump diaphragm		19.2013
14	* 1123 129 0905	1	Gasket		19.2013
15	* 4241 121 0800	1	End cover		19.2013
16	* 1125 122 4200	1	Clamp		19.2013
17	* 4140 122 6200	1	Idle speed screw		19.2013
18	* 1120 122 7800	1	Oval head screw		19.2013
19	* 1123 121 7800	1	Strainer		19.2013
20	* 4144 122 6801	1	Low speed screw		19.2013
21	* 4229 121 2701	2	Cap		19.2013
22	* 4241 122 6700	1	High speed screw		19.2013
23	* 4144 121 3500	1	Throttle lever		19.2013
24	* 9079 319 0280	1	Flat head screw M3x3.5		19.2013
25	* 4144 121 8900	1	Pin		19.2013
26	* 4137 121 8600	1	Washer		19.2013
27	* 1120 122 9000	1	E-clip		19.2013
28	* 4144 180 9500	1	Choke knob	29, 30	19.2013
29	* 4144 122 7100	1	Screw		19.2013
30	*	1	Spring (D)		19.2013
	* 4241 007 1002	1	Set of carburetor parts	7, 8, 13, 14	19.2013

(1) FS 56 - 4144, (2) FS 56 C-E, (3) FS 56 C-E Z, (4) FS 56 R, (5) FS 56 RC-E, (6) FS 56 RC-E Z

Bike handle



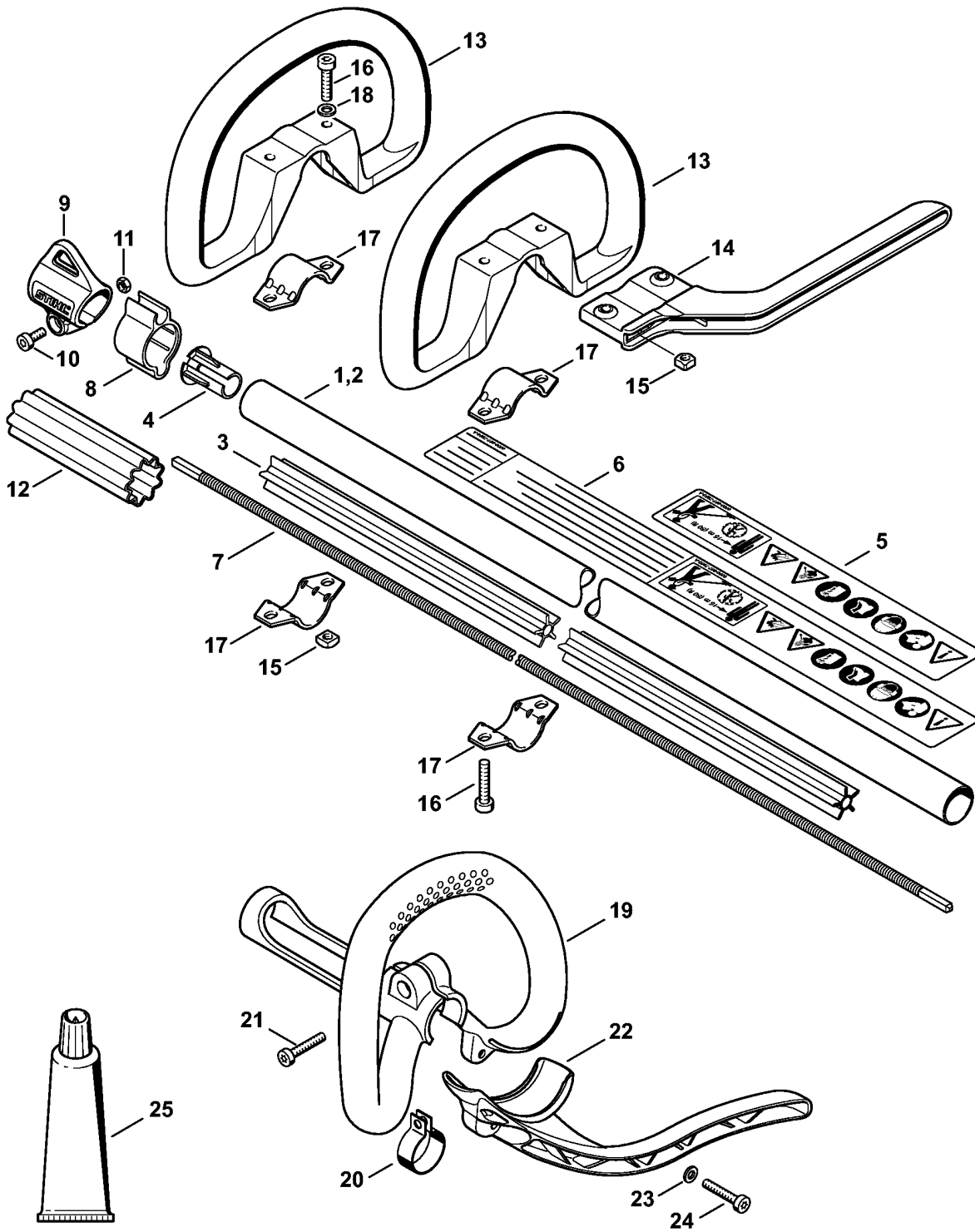
54/ET030 SC

Bike handle

Reference	Item number	Qty	Description	Contains	Technical Information
1	4144 790 1700	1	Handlebar (1,2,3)	2	
2	4147 791 0302	1	Handle (1,2,3)		
3	4144 790 1702	1	Handlebar J (2)	4	
4	4128 791 0300	1	Handle, left J (2)		
	4144 790 1302	1	Control handle (1,2,3)	5 - 16, 18 - 20	
	* 4144 790 1300	1	Control handle (1,2,3)	5 - 15, 17 - 20	48.2013
5	4144 790 0300	1	Handle (1,2,3)		
6	4144 430 0200	1	Stop switch (1,2,3)		
7	4128 182 4501	1	Torsion spring (1,2,3)		
8	4144 182 0800	1	Lockout lever (1,2,3)		
9	4144 180 1501	1	Throttle trigger (1,2,3)	10	
10	0000 953 0808	1	Stud (1,2,3)		
11	4144 182 2801	1	Lever (1,2,3)		
12	4144 182 4500	1	Torsion spring (1,2,3)		
13	9074 478 3025	3	Pan head self-tapping screw IS-P4x16 (1,2,3)		
14	9022 346 1069	1	Spline screw IS-M5x30 (1,2,3)		
15	9210 261 0700	1	Hexagon nut M5 (1,2,3)		
	4144 180 1105	1	Throttle cable (1,2,3)	16, 18 - 20	
16	4144 182 3203	1	Throttle cable (1,2,3)		
	* 4144 180 1101	1	Throttle cable (1,2,3)	17 - 20	48.2013
17	* 4144 182 3200	1	Throttle cable (1,2,3)		48.2013
18	4144 440 1911	1	Lead (1,2,3)		
19	4144 440 1910	1	Lead (1,2,3)		
20		1	Hose 500 mm / 19 3/4" (D) (1,2,3)		
	4203 711 7201	1	Hose 960 mm / 37 13/16" (A,B) (1,2,3)		
21	9074 477 2995	1	Pan head self-tapping screw IS-P4x12 (1,2,3)		
22	4137 791 6800	1	Clamp (1,2,3)		
23	4130 791 0606	1	Clamp (1,2,3)		
24	4137 791 0900	1	Clamp (1,2,3)		
25	9022 341 1380	4	Spline screw IS-M6x35 (1,2,3)		

(1) FS 56 - 4144, (2) FS 56 C-E, (3) FS 56 C-E Z, (4) FS 56 R, (5) FS 56 RC-E, (6) FS 56 RC-E Z

Drive tube assembly, Loop handle



547ET037 SC

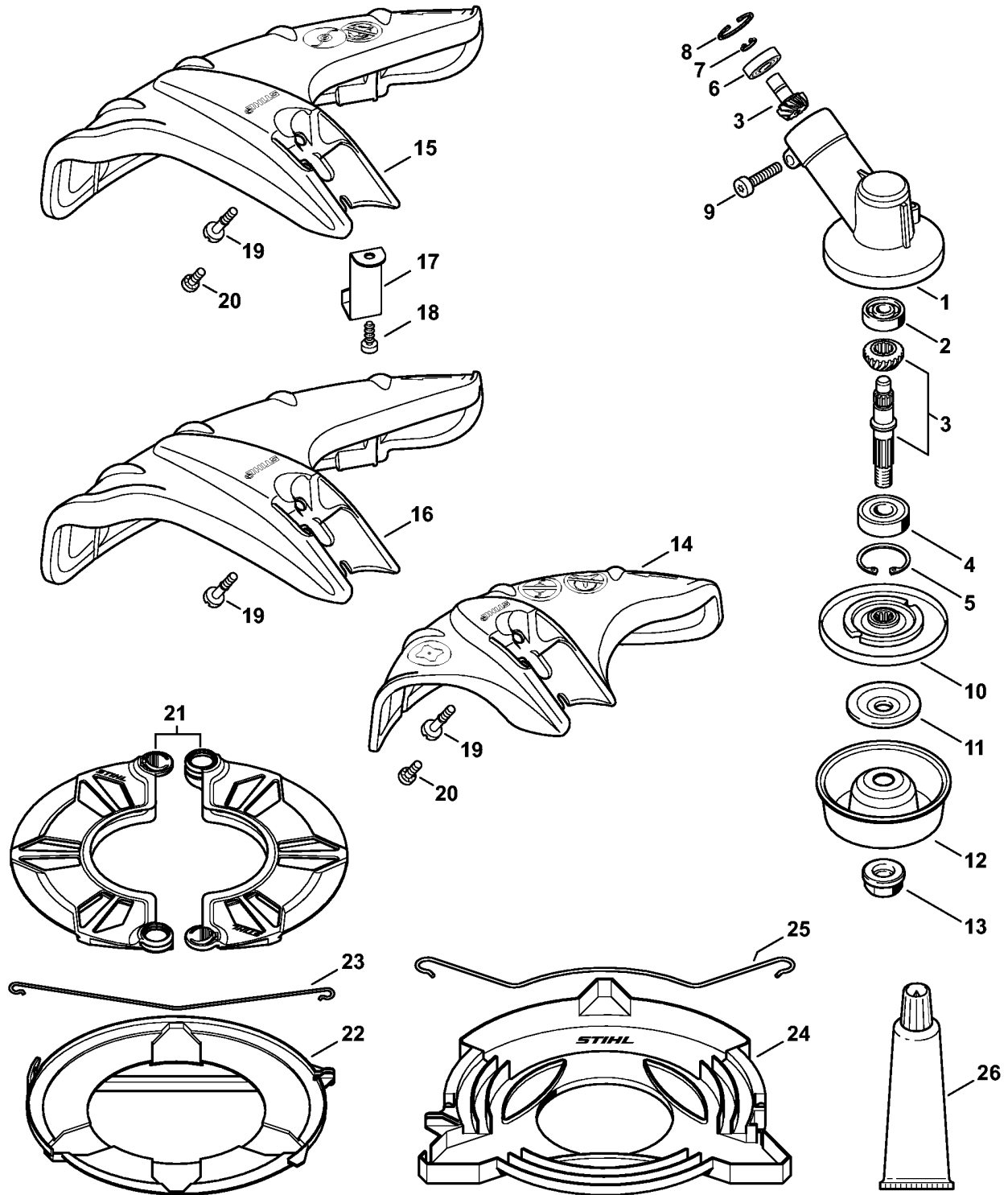
(1) FS 56 - 4144, (2) FS 56 C-E, (3) FS 56 C-E Z, (4) FS 56 R, (5) FS 56 RC-E, (6) FS 56 RC-E Z

Drive tube assembly, Loop handle

Reference	Item number	Qty	Description	Contains	Technical Information
1	4140 710 7101	1	Drive tube assembly Ø 25.4 mm x 1.41 m / 1" x 55 13/25"	3 - 5	
2	4140 710 7109	1	Drive tube assembly Ø 25.4 mm / 1" USA, AUS (3,6)	3, 4, 6	
3	4137 711 7302	1	Flexible liner		
4	4140 711 2100	1	Plug		
5	0000 967 7253	1	Warning pictogram FS		
6	0000 967 7254	1	Warning pictogram FS USA, AUS (3,6)		
7	4140 711 3202	1	Drive shaft		
8	4119 182 2110	1	Support (1,2,3)		
9	0000 790 8801	1	Loop (1,2,3)	10, 11	
10	9022 341 0980	1	Spline screw IS-M5x16 (1,2,3)		
11	9210 261 0700	1	Hexagon nut M5 (1,2,3)		
12	0000 711 2500	1	Sleeve (4,5,6)		
13	4180 790 3405	1	Loop handle (4,5,6)	14 - 18	
14	4130 790 8450	1	Barrier bar (4,5,6)	15, 16	
15	9222 068 0900	2	Square nut M6 (4,5,6)		
16	9022 341 1370	2	Spline screw IS-M6x30 (4,5,6)		
17	4123 791 7400	2	Clamp (4,5,6)		
18	9291 021 0140	2	Washer 6.4 (4,5,6)		
19	* 4144 790 3402	1	Loop handle (4,5,6)	20 - 24	48.2013
20	* 4144 791 9400	1	Hose clamp (4,5,6)		48.2013
21	* 9022 371 1020	1	Spline screw IS-M5x20 (4,5,6)		48.2013
22	* 4144 790 8400	1	Barrier bar (4,5,6)	23, 24	48.2013
23	* 9291 021 0120	1	Washer 5.3 (4,5,6)		48.2013
24	* 9022 371 1020	1	Spline screw IS-M5x20 (4,5,6)		48.2013
25	0781 120 1110	1	Gear lubricant 225 g (B)		

(1) FS 56 - 4144, (2) FS 56 C-E, (3) FS 56 C-E Z, (4) FS 56 R, (5) FS 56 RC-E, (6) FS 56 RC-E Z

Gear head, Deflector



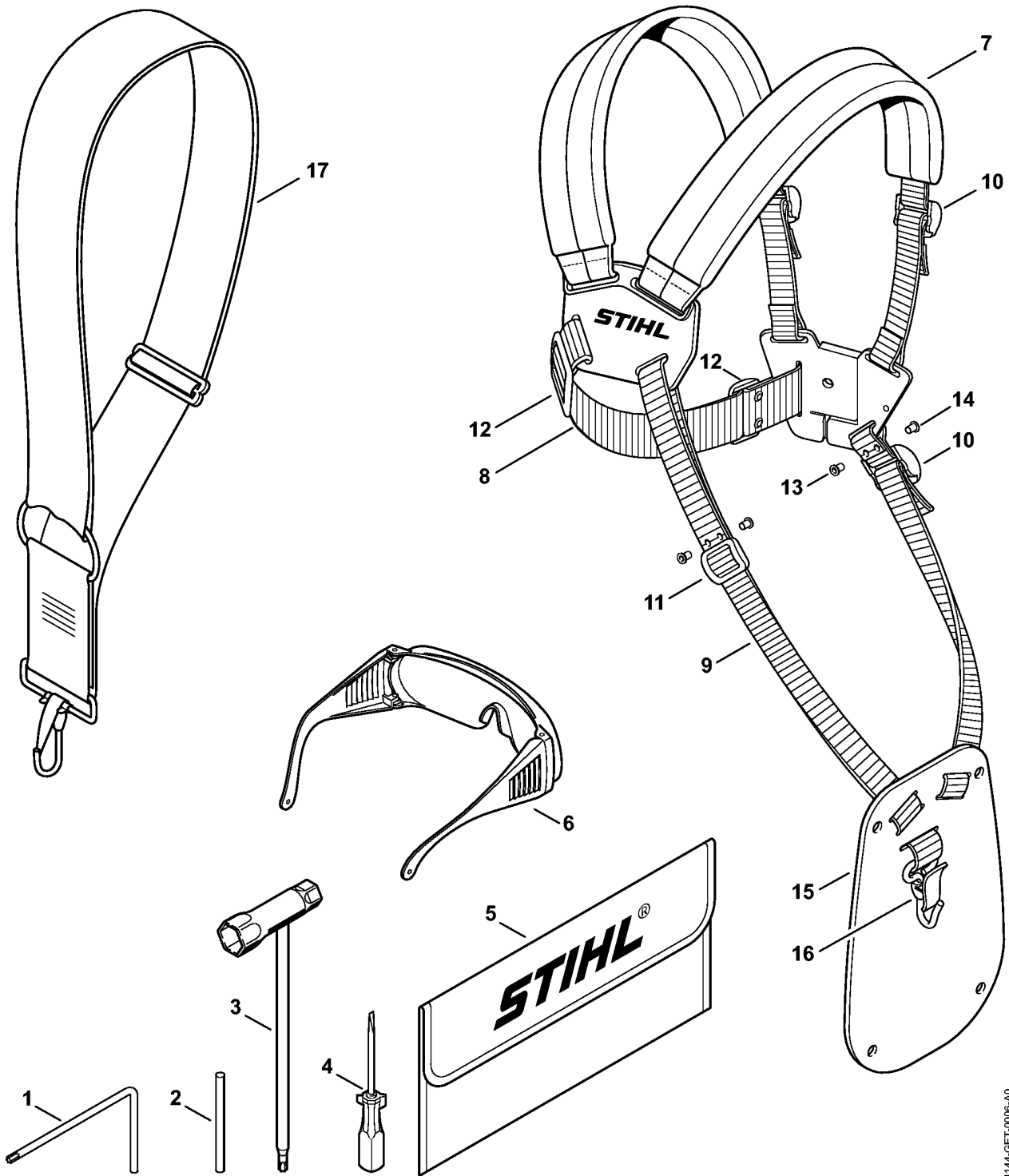
547ET036 SC

(1) FS 56 - 4144, (2) FS 56 C-E, (3) FS 56 C-E Z, (4) FS 56 R, (5) FS 56 RC-E, (6) FS 56 RC-E Z

Gear head, Deflector

Reference	Item number	Qty	Description	Contains
1	4144 640 0100	1	Gearhead	1 - 8
2	9503 003 0060	1	Grooved ball bearing 629	
3	4144 640 7300	1	Set of pinions	
4	9503 003 6440	1	Grooved ball bearing 6201-2RS	
5	9456 621 3600	1	Circlip 32x1.2	
6	9503 003 9853	1	Grooved ball bearing 609-2Z	
7	9455 621 0750	1	Circlip 9x1	
8	9456 621 2660	1	Circlip 24x1.2	
9	9075 478 4712	1	Pan head self-tapping screw IS-D6x28	
10	4137 710 3800	1	Thrust plate	
11	4130 713 1600	1	Thrust washer	
12	4126 713 3100	1	Rider plate	
13	4126 642 7600	1	Collar nut M10x1 l/h thread	
14	4144 710 8116	1	Deflector (1,2,3)	19
15	4144 710 8117	1	Deflector	17 - 19
16	4144 710 8121	1	Deflector J (2)	19
17	4133 713 4110	1	Blade	
18	9074 478 4405	1	Pan head self-tapping screw IS-P6x14	
19	9022 319 0981	1	Screw IS-M5x17	
20	* 9022 341 0975	1	Spline screw IS-M5x14	
21	0000 790 3901	1	Transport guard	
22	4119 790 3906	1	Transport guard Ø 260 (B)	23
23	4119 792 4305	1	Clamping wire (B)	
24	4116 790 3901	1	Transport guard Ø 350 J	25
25	4116 792 4300	1	Clamping wire J	
26	0781 120 1117	1	Gear lubricant 80 g (B)	

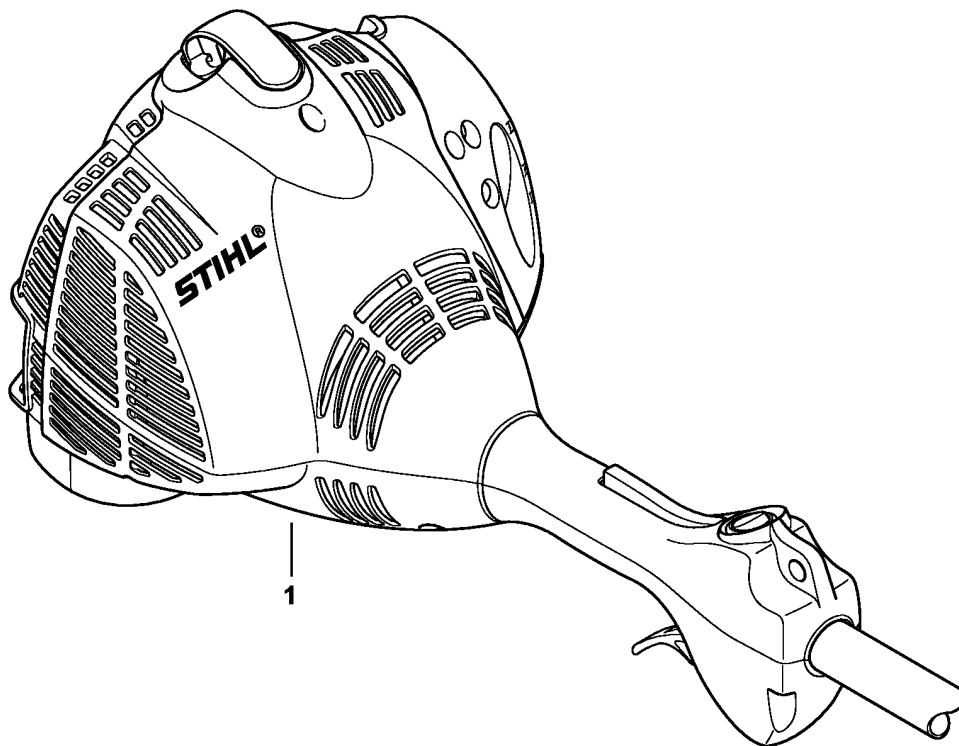
(1) FS 56 - 4144, (2) FS 56 C-E, (3) FS 56 C-E Z, (4) FS 56 R, (5) FS 56 RC-E, (6) FS 56 RC-E Z



4144-GET-0006-A0

Tools, Extras

Reference	Item number	Qty	Description	Contains
1	0812 370 1000	1	Screwdriver T27x120x70	
2	4130 893 7800	1	Locking pin	
3	4180 890 3400	1	Combination wrench	
4	0000 890 2300	1	Screwdriver (B)	
5	0000 891 0810	1	Tool roll (B)	
6	0000 884 0307	1	Safety glasses	
7	4119 710 9001	1	Full harness (B)	8 - 16
8		1	Strap 38x780mm / 1.5x30.7" (D)	
	0000 930 2242	1	Webbing 38 mm x 5 m / 1.5x197" (A, B)	
9		1	Strap 25 mm x 1.18 m / 1x46.5" (D)	
	0000 930 2241	1	Webbing 25 mm x 10 m / 1" x 33' (A, B)	
10	4203 792 7200	3	Slide	
11	4119 718 6300	1	Slide	
12	4119 718 6310	2	Slide	
13	9408 021 4530	12	Rivet shank 4x8x6	
14	9409 021 4420	12	Rivet head 4x8	
15	4119 718 7400	1	Guard plate	
16	4147 710 6900	1	Spring safety hook	
17	4130 710 9000	1	Harness	



546ET028 SC

(1) FS 56 - 4144, (2) FS 56 C-E, (3) FS 56 C-E Z, (4) FS 56 R, (5) FS 56 RC-E, (6) FS 56 RC-E Z

Serial number

Reference	Qty	Description
1	1	Position of serial number
