

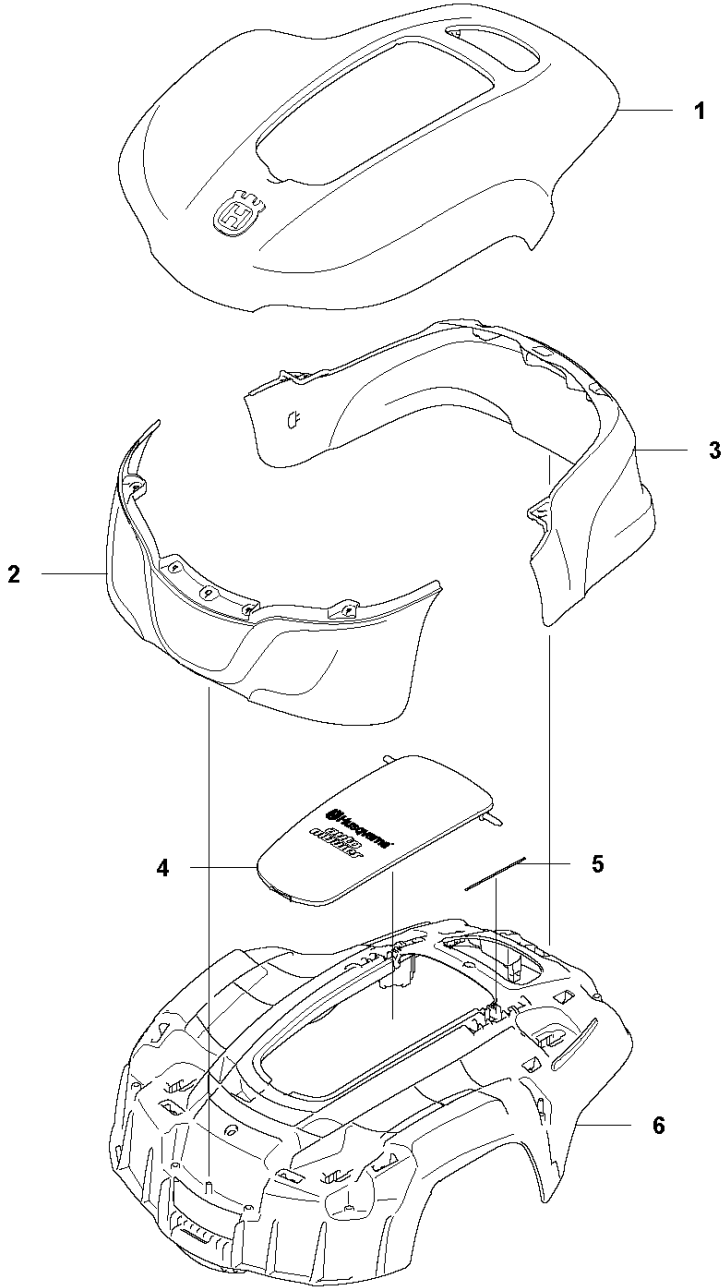


SPARE PARTS LIST

ROBOTIC LAWN MOWERS

AUTOMOWER 115H

A AUTOMOWER 115H
BODY

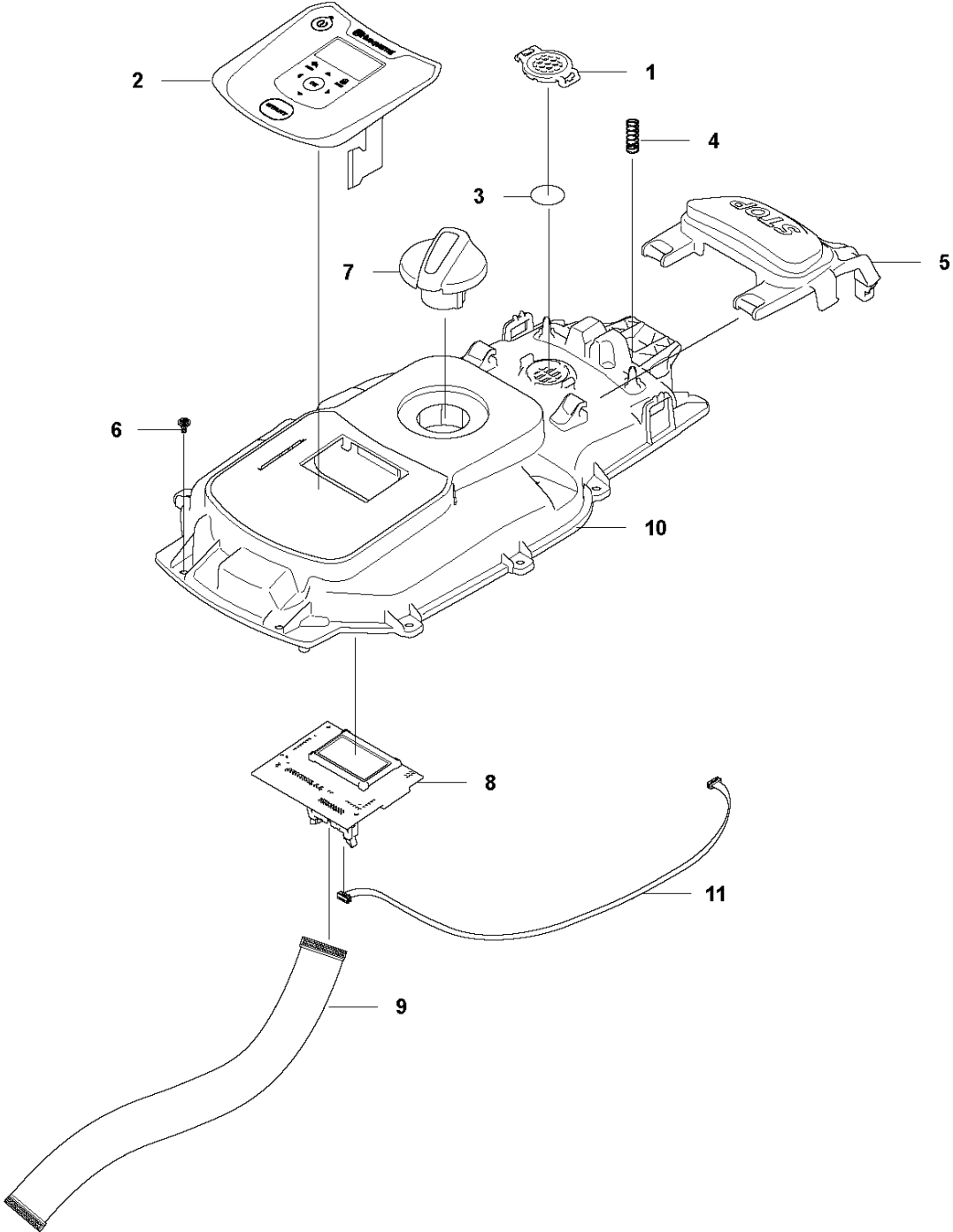


COVER

AUTOMOWER 115H

| Ref | Part No | Description | Remark | QTY KIT |
|-----|--------------|-------------|--------------------------------|---------|
| 1 | 593 73 48-01 | COVER | Top Cover with Husqvarna loggo | 1 |
| 2 | 593 73 49-01 | BUMPER | Front | 1 |
| 3 | 593 73 50-01 | BUMPER | Rear | 1 |
| 4 | 593 73 51-01 | HATCH | AM 115H | 1 |
| 5 | 588 47 02-01 | SPRING | | 2 |
| 6 | 597 09 86-01 | BODY ASSY | | 1 |

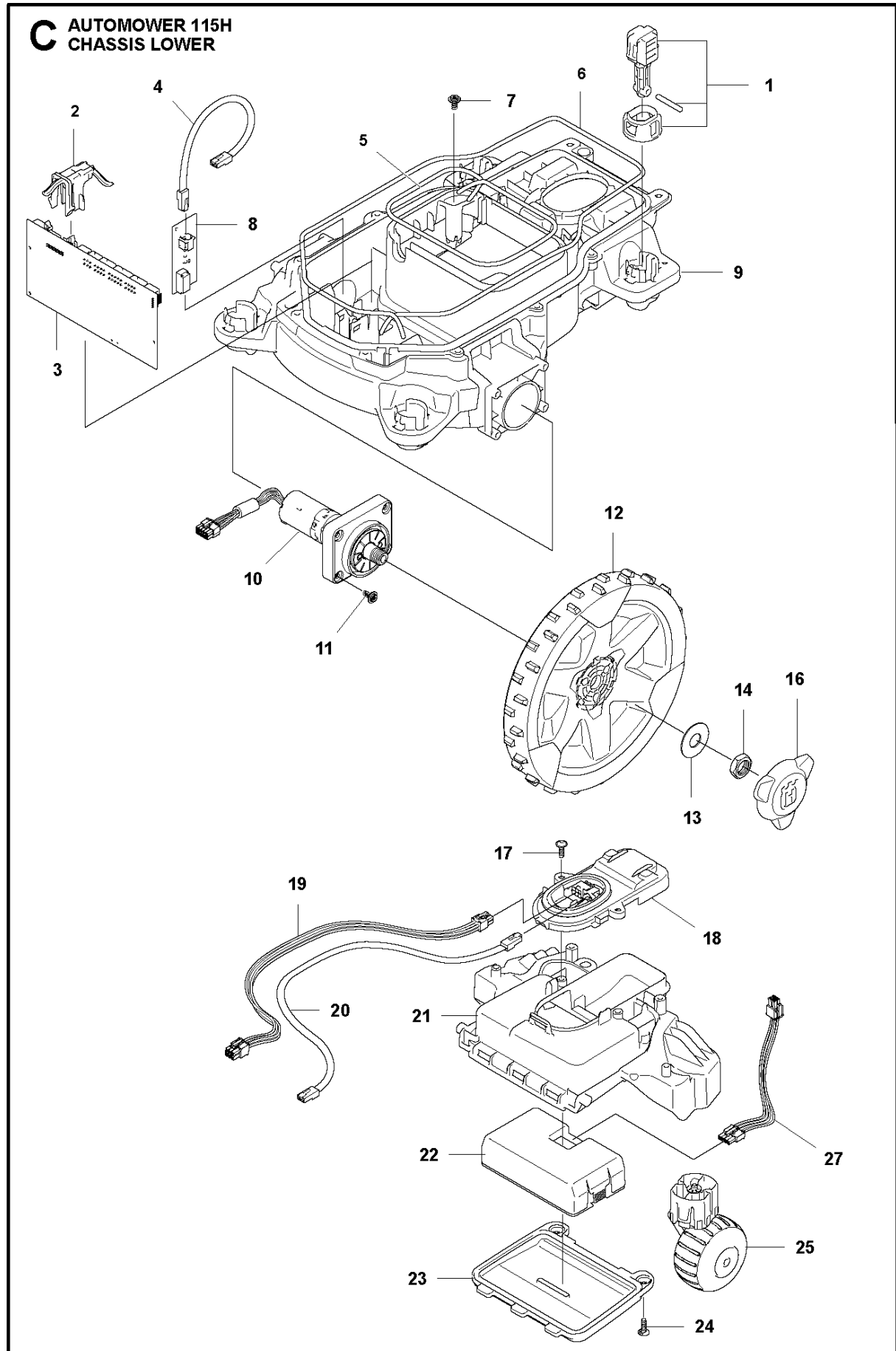
B AUTOMOWER 115H
CHASSIS UPPER



CHASSIS UPPER

AUTOMOWER 115H

| Ref | Part No | Description | Remark | QTY KIT |
|-----|--------------|----------------------|----------------|---------|
| 1 | 586 03 89-01 | COVER | | 1 |
| 2 | 596 61 78-01 | KEYBOARD | Display AM115H | 1 |
| 3 | 577 75 37-01 | AIR FILTER | | 1 |
| 4 | 576 24 22-01 | SPRING | | 2 |
| 5 | 596 38 58-01 | BUTTON ASSY | | 1 |
| 6 | 574 45 01-01 | SCREW ITPANT | | 8 |
| 7 | 594 02 78-01 | KNOB | | 1 |
| 8 | 596 25 38-01 | PRINTED CIRCUIT ASSY | HMI | 1 |
| 9 | 590 11 06-01 | CABLE ASSY | HMI | 1 |
| 10 | 591 43 41-03 | CHASSIS | Upper | 1 |
| 11 | 593 14 89-01 | WIRING ASSY | | 1 |

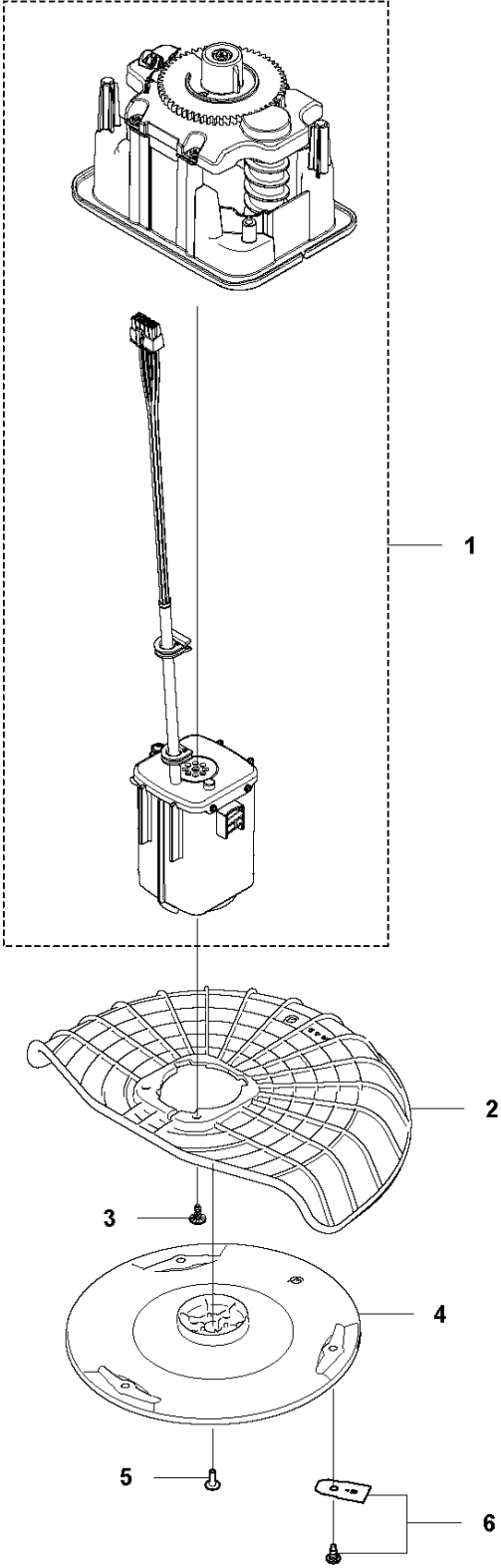


CHASSIS LOWER

AUTOMOWER 115H

| Ref | Part No | Description | Remark | QTY KIT |
|-----|--------------|----------------------|--------------------------------|---------|
| 1 | 590 77 07-01 | COLUMN ASSY | | 4 |
| 2 | 591 47 42-01 | CLIP | PCBA Clip | 1 |
| 3 | 592 90 99-01 | PRINTED CIRCUIT ASSY | Main Board | 1 |
| 4 | 589 35 08-01 | WIRING ASSY | | 1 |
| 5 | 574 87 47-11 | SEALING STRIP | Cutting System | 1 |
| 6 | 574 87 47-10 | SEALING STRIP | Chassis | 1 |
| 6 | 593 26 57-01 | SEAL KIT | 2 Sealings strips+1 Air filter | 1 |
| 7 | 574 45 01-01 | SCREW ITPANT | | 2 |
| 8 | 592 90 98-01 | PRINTED CIRCUIT ASSY | Loop Sensor | 1 |
| 9 | 593 73 52-01 | CHASSIS | Lower | 1 |
| 10 | 587 44 94-04 | MOTOR KIT | Wheel motor | 1 |
| 11 | 574 45 01-01 | SCREW ITPANT | | 8 |
| 12 | 582 28 02-01 | WHEEL ASSY | | 2 |
| 13 | 586 21 06-01 | WASHER | | 2 |
| 14 | 731 43 24-01 | HEXAGON THIN NUT | | 2 |
| 16 | 579 50 55-02 | HUB CAP | | 2 |
| 17 | 574 45 01-01 | SCREW ITPANT | | 2 |
| 18 | 593 09 46-01 | SENSOR ASSY | | 1 |
| 19 | 589 35 11-01 | WIRING ASSY | Charging Cable | 1 |
| 20 | 589 35 10-01 | WIRING ASSY | Modular Jack | 1 |
| 21 | 593 73 55-01 | HOUSING | Two Wheel High-Cut | 1 |
| 22 | 593 24 72-01 | BATTERY | | 1 |
| 23 | 582 82 49-01 | COVER | Battery | 1 |
| 24 | 574 45 01-01 | SCREW ITPANT | | 2 |
| 25 | 589 30 08-01 | WHEEL ASSY | | 2 |
| 27 | 591 20 36-02 | WIRING ASSY | Battery | 1 |

D AUTOMOWER 115H
BLADE MOTOR & CUTTING EQUIPMENT

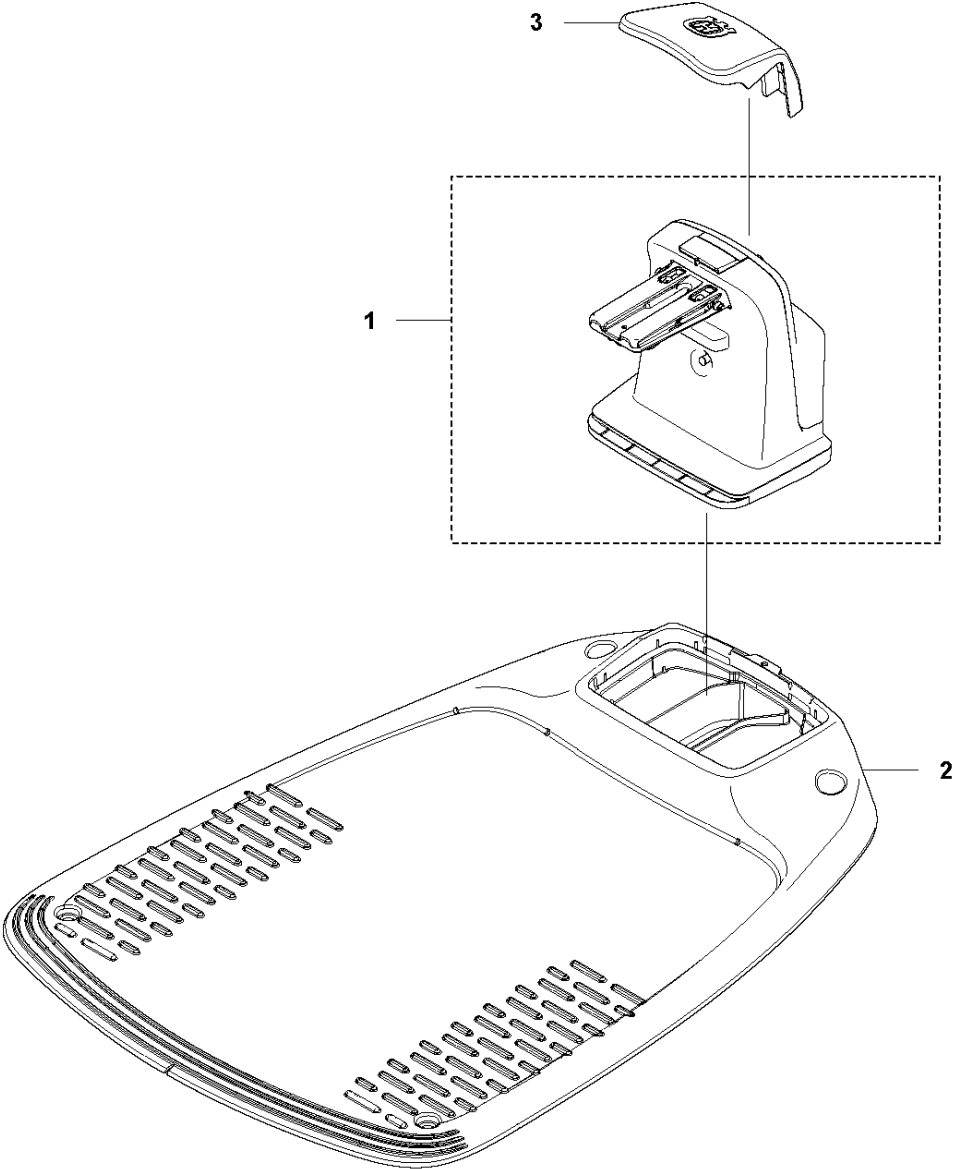


BLADE MOTOR & CUTTING EQUIPMENT

AUTOMOWER 115H

| Ref | Part No | Description | Remark | QTY KIT |
|-----|--------------|----------------|-------------------------------------------|---------|
| 1 | 595 15 87-01 | CUTTING SYSTEM | High-Cut | 1 |
| 2 | 593 73 53-01 | GUARD | Cutting Disc | 1 |
| 3 | 574 45 01-01 | SCREW ITPANT | | 1 |
| 4 | 593 58 93-01 | CUTTING DISC | | 1 |
| 5 | 590 50 87-01 | SCREW | Cutting Disc | 3 |
| 6 | 577 86 46-03 | BLADE SET | Long life-Safety Blade, Blister, 9 pcs | 1 |

E AUTOMOWER 115H
CHARGING STATION

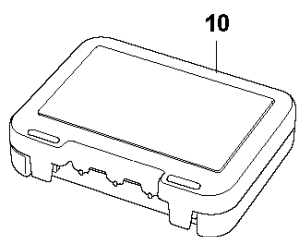
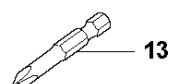
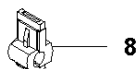
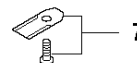
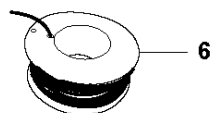
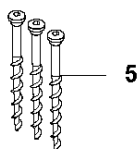
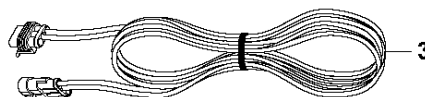
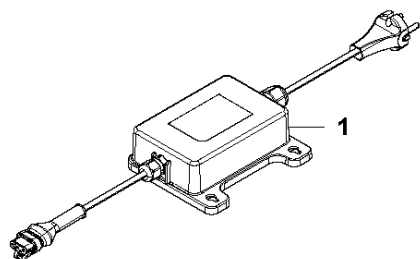


CHARGING STATION

AUTOMOWER 115H

| Ref | Part No | Description | Remark | QTY KIT |
|-----|--------------|----------------|-----------|---------|
| 1 | 593 24 64-02 | CHARGING TOWER | | 1 |
| 2 | 593 73 57-01 | PLATE | Charging | 1 |
| 3 | 591 43 42-01 | CAP | Husqvarna | 1 |

F AUTOMOWER 115H
INSTALLATION ACCESSORIES

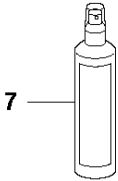
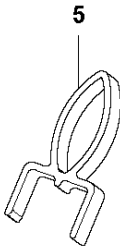
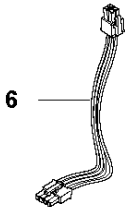
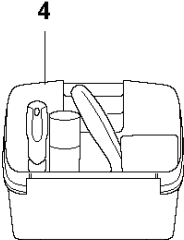
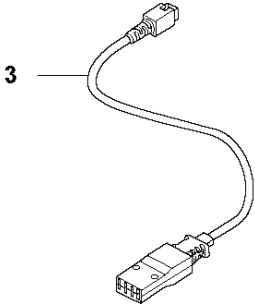
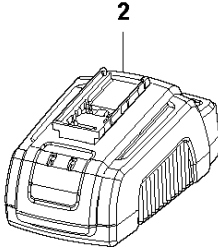
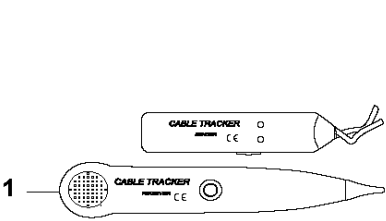


INSTALLATION ACCESSORIES

AUTOMOWER 115H

| Ref | Part No | Description | Remark | QTY KIT |
|-----|--------------|-------------|------------------------------------------|---------|
| 1 | 590 44 22-04 | POWER UNIT | US, Desktop | 1 |
| 3 | 579 82 51-01 | CABLE ASSY | Low Voltage Cable 20 m | 1 |
| 3 | 579 82 51-02 | CABLE ASSY | Low Voltage Cable 10 m | 1 |
| 3 | 579 82 51-04 | CABLE ASSY | Low Voltage Cable 5 m | 1 |
| 3 | 579 82 51-03 | CABLE ASSY | Low Voltage Cable 3 m | 1 |
| 4 | 577 86 42-01 | STAPLE | 100 pcs, Husqvarna Blister | 1 |
| 4 | 583 97 34-01 | STAPLE | 100 pcs, Unbranded | 1 |
| 5 | 577 86 49-01 | SCREW | Screw Kit, Blister pack 3 pcs | 1 |
| 6 | 577 86 43-02 | WIRE | Loop Wire, Blister pack(50 m) | 1 |
| 6 | 580 66 20-02 | WIRE | Loop Wire, (150 m) | 1 |
| 6 | 577 86 43-01 | WIRE | Loop Wire, Blister pack(150 m) | 1 |
| 7 | 577 86 46-03 | BLADE SET | Long life-Safety Blade, Blister, 9 pcs | 1 |
| 7 | 577 60 65-05 | BLADE SET | Long life-Safety Blade, 45 pcs | 1 |
| 7 | 577 60 66-04 | BLADE SET | Long life-Safety Blade, 300 pcs | 1 |
| 8 | 577 86 48-01 | CONNECTOR | Loop Wire connector, 5 pcs, Blister Pack | 1 |
| 8 | 535 12 90-01 | CONNECTOR | Loop Wire connector, MOQ 10 pcs | 1 |
| 8 | 535 12 90-02 | CONNECTOR | Lopp Wrie connector, 100 pcs | 1 |
| 9 | 577 86 47-01 | COUPLER | Splicer, 5 pcs, Blister Pack | 1 |
| 9 | 501 98 02-01 | COUPLER | Splicer, MOQ 10 pcs | 1 |
| 9 | 501 98 02-03 | COUPLER | Splicer, 100 pcs | 1 |
| 10 | 590 85 50-01 | BOX | Cable Connector Protection | 1 |
| 13 | 596 33 98-01 | TOOL | Bit for Automower Blades MOQ 5 pcs | 1 |

G AUTOMOWER 115H
ACCESSORIES



ACCESSORIES

AUTOMOWER 115H

| Ref | Part No | Description | Remark | QTY KIT |
|-----|--------------|----------------|---------------------------------|---------|
| 1 | 577 60 68-01 | TEST EQUIPMENT | Loop Wire Interruption Detector | 1 |
| 2 | 588 40 84-01 | CHARGER | Quick Charger with Battery Test | 1 |
| 3 | 588 20 26-01 | CABLE ASSY | Quick Charger | 1 |
| 4 | 590 85 51-01 | KIT | Maintenance and Cleaning kit | 1 |
| 5 | 593 21 56-01 | FORK | Tool | 1 |
| 6 | 591 20 36-01 | WIRING ASSY | Battery Cable 160 mm | 1 |
| 7 | 593 96 79-01 | SPRAY | | 1 |