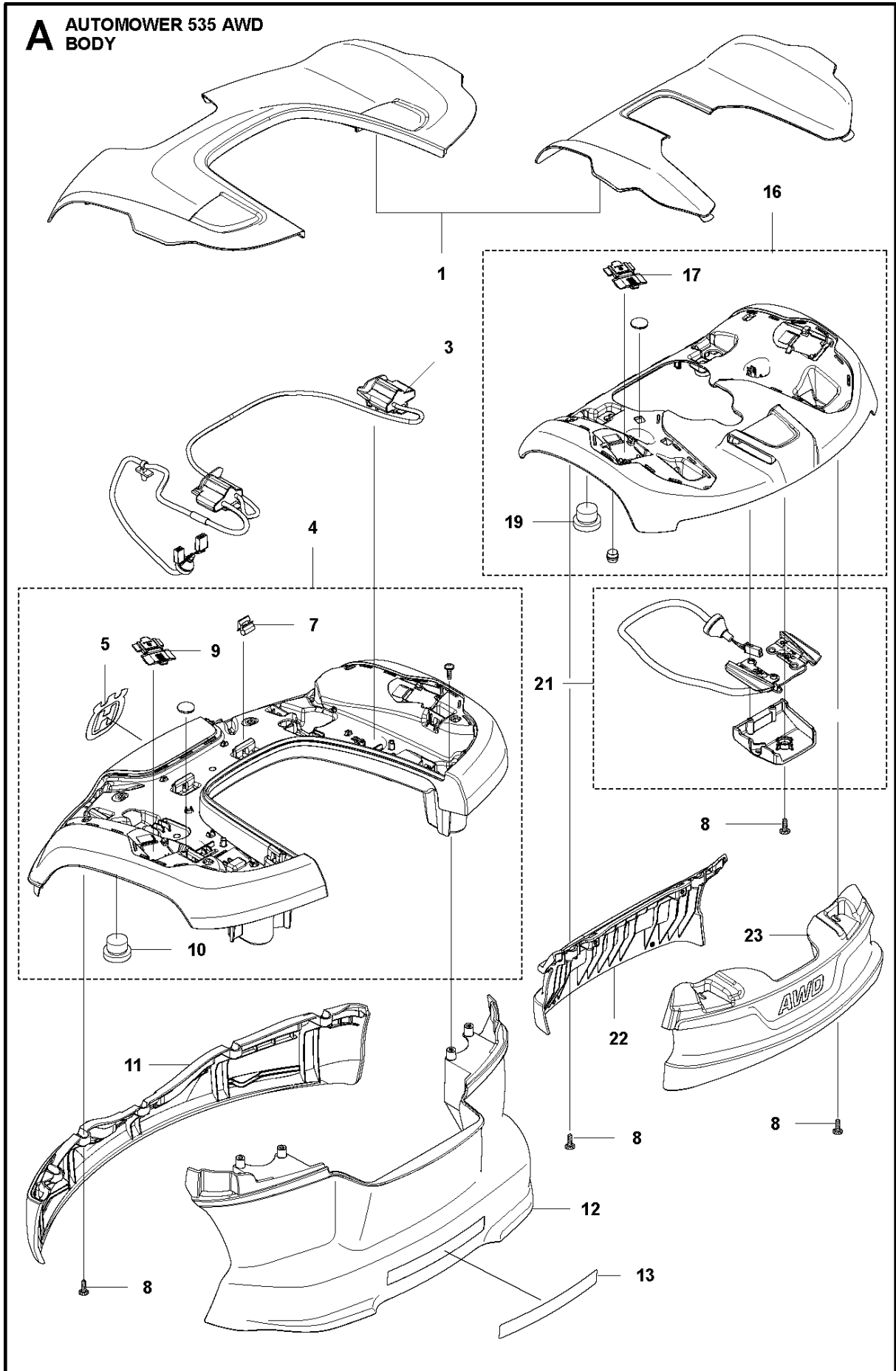




SPARE PARTS LIST

ROBOTIC LAWN MOWERS
AUTOMOWER 535 AWD, 2020-

A AUTOMOWER 535 AWD
BODY

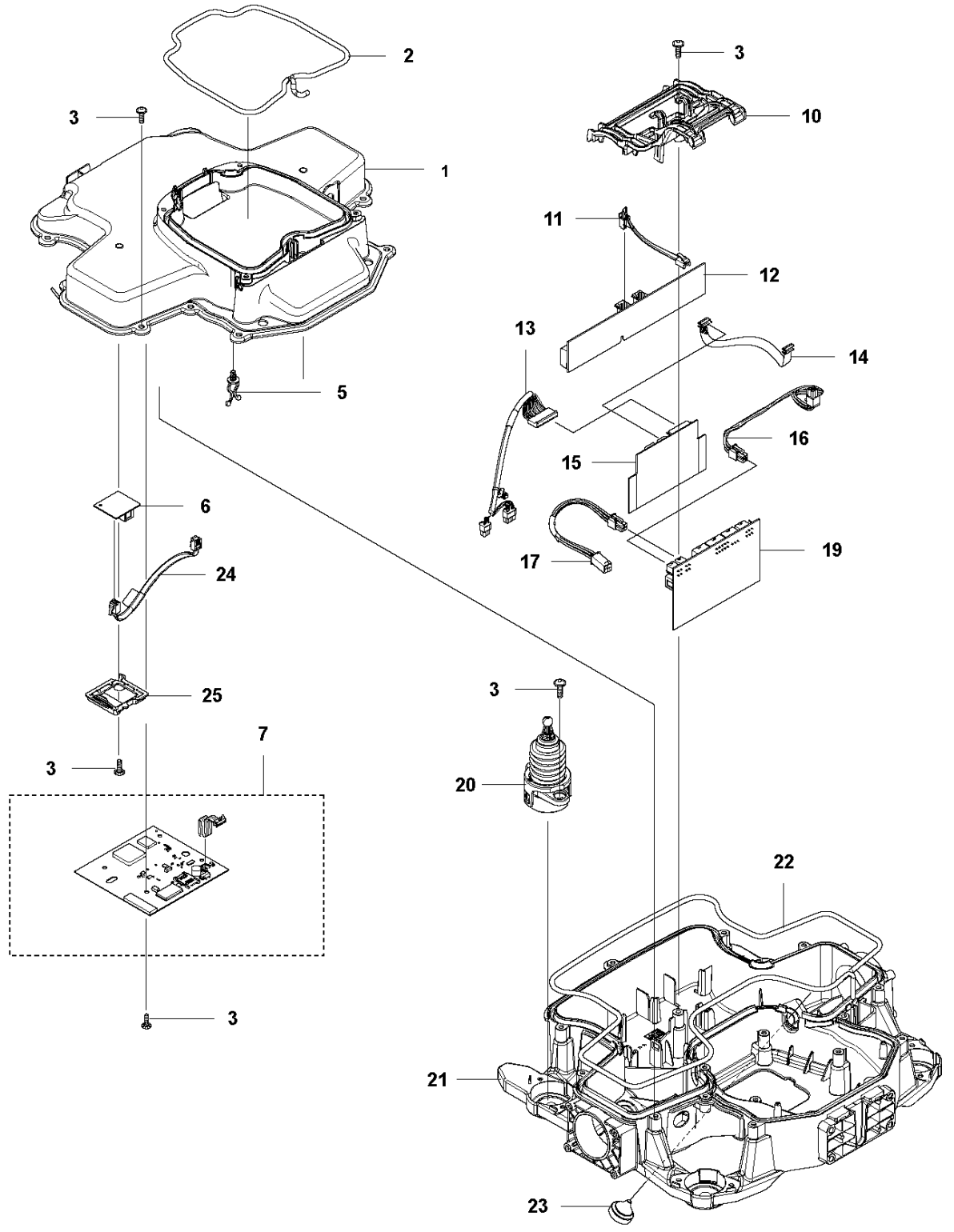


COVER

AUTOMOWER 535 AWD, 2020-

Ref	Part No	Description	Remark	QTY KIT
1	596 30 02-01	BODY KIT	Top Cover Grey	1
1	596 30 02-02	BODY KIT	Top Cover Orange	1
3	588 59 67-04	WIRING ASSY	US Sensor	1
4	597 16 18-01	BODY ASSY	Front	1
5	587 42 35-02	DECAL	Husqvarna Crown	1
7	593 77 84-01	CLIP	Body connection	1
8	574 45 01-01	SCREW ITPANT		10
9	591 49 46-01	HOLDER	Wheel Brush	1
10	580 52 68-01	CAP	Snaploc	1
11	591 46 74-01	BUMPER	Front	1
12	591 46 75-01	BUMPER	Front tail	1
13	586 35 97-01	LABEL	Warning	1
16	597 16 19-01	BODY ASSY	Rear	1
17	591 49 46-01	HOLDER	Wheel Brusch	1
19	580 52 68-01	CAP	Snaploc	1
21	597 16 56-01	CHARGING PLATE KIT		1
22	591 46 78-01	BUMPER	Rear Head	1
23	591 46 79-01	BUMPER	Rear Tail	1

B AUTOMOWER 535 AWD
CHASSIS FRONT

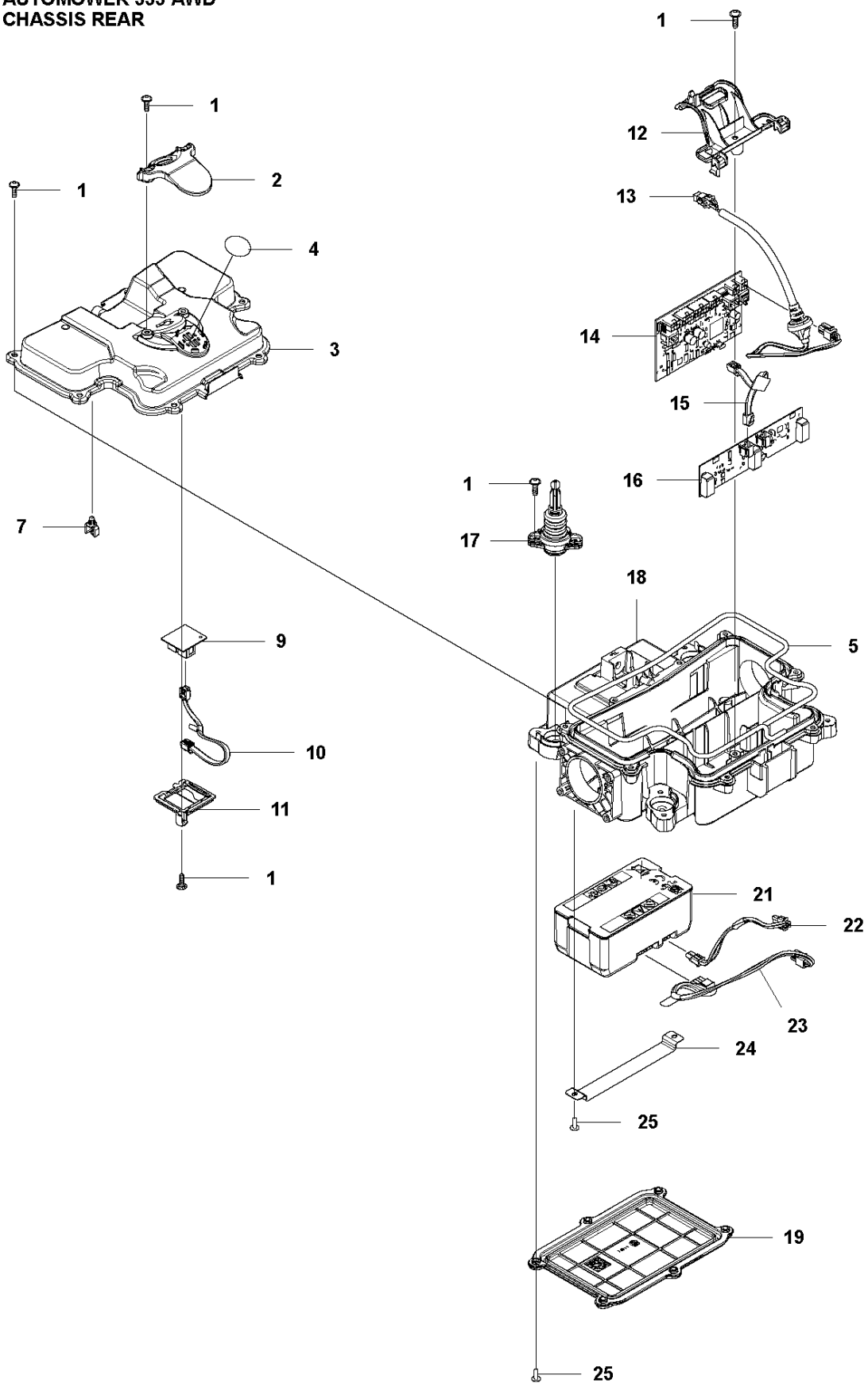


CHASSIS

AUTOMOWER 535 AWD, 2020-

Ref	Part No	Description	Remark	QTY KIT
1	592 74 34-01	CHASSIS	Upper front	1
2	574 87 47-14	SEALING STRIP	Chassis Upper Front	1
3	575 54 33-14	SCREW		4
5	580 68 29-01	HOLDER	Twist lock	11
6	591 12 55-01	PRINTED CIRCUIT ASSY	Magnetic Sensor	1
7	586 66 23-06	GPS MODULE	Automower Connect	1
10	592 74 37-01	HOLDER	PCB front	1
11	589 35 08-03	WIRING ASSY	Modular Jack	1
12	591 12 57-02	PRINTED CIRCUIT ASSY	Loop Receiver Board	1
13	580 61 44-02	WIRING ASSY	Ultra Sonic Extension	1
14	579 70 86-02	WIRING ASSY	AUX	1
15	578 28 57-01	PRINTED CIRCUIT ASSY	Ultra Sonic Board	1
16	591 20 31-01	WIRING ASSY	HMI cable 4P	1
17	591 20 33-01	WIRING ASSY	Main Cable Adapter 4P	1
19	591 12 56-01	PRINTED CIRCUIT ASSY	Motor Controler Board	1
20	592 73 63-01	JOYSTICK	Assy	4
21	592 74 36-01	CHASSIS	Lower front	1
22	574 87 47-12	SEALING STRIP	Chassis Lower Front	1
23	584 89 75-01	GROMMET		4
24	589 35 08-03	WIRING ASSY	Modular Jack	1
25	591 49 43-01	HOLDER	Magnetic Sensor Board	1

C AUTOMOWER 535 AWD
CHASSIS REAR

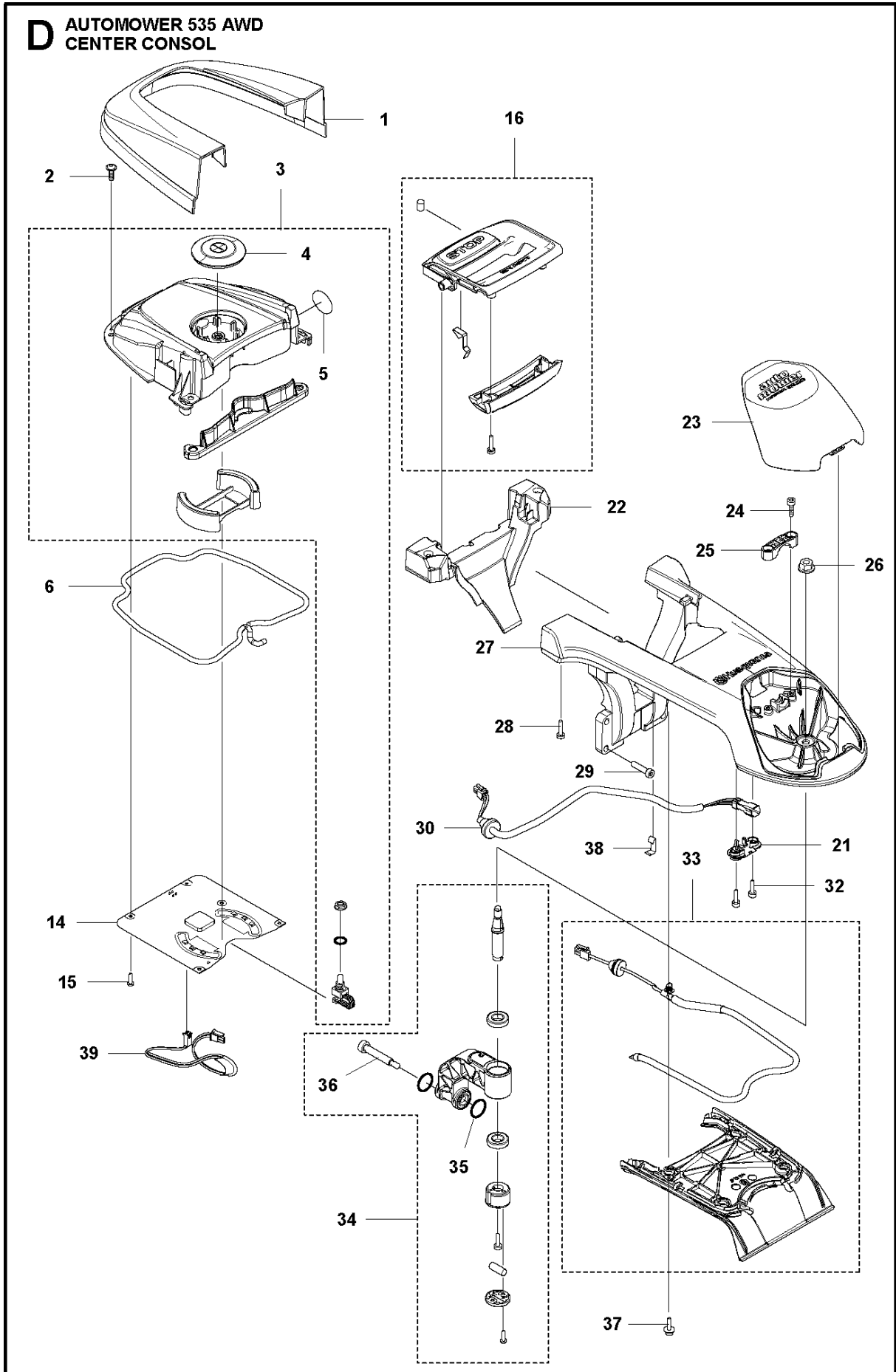


CHASSIS REAR

AUTOMOWER 535 AWD, 2020-

Ref	Part No	Description	Remark	QTY KIT
1	575 54 33-14	SCREW	ITXPANT	17
2	591 48 70-01	HOLDER	Grommet	1
3	591 48 42-01	CHASSIS	Upper Rear	1
4	577 75 37-01	AIR FILTER	Air Filter	1
5	574 87 47-13	SEALING STRIP	Chassis Lower Rear	1
7	595 08 29-01	HOLDER	Wire Sadle	1
9	591 12 55-01	PRINTED CIRCUIT ASSY	Magnetic Sensor	1
10	589 35 08-01	WIRING ASSY	Modular Jack	1
11	591 49 43-01	HOLDER	Magnetic Sensor Board	1
12	591 49 42-01	HOLDER	PCB Rear	1
13	593 30 94-01	WIRING ASSY	Main Cable Rear	1
14	591 12 56-01	PRINTED CIRCUIT ASSY	Motor Controller Board	1
15	589 35 08-01	WIRING ASSY	Modular Jack	1
16	591 12 57-01	PRINTED CIRCUIT ASSY	Loop Receiver Board Rear	1
17	594 05 86-01	JOYSTICK ASSY	Rear	4
18	591 48 41-02	CHASSIS	Lower Rear	1
19	594 01 62-01	COVER	Battery	1
21	593 24 71-01	BATTERY		1
22	591 20 34-01	WIRING ASSY	Battery Charging Adapter	1
23	591 20 35-01	WIRING ASSY	Battery Cable Premium	1
24	592 63 58-01	BRACKET	Battery	1
25	588 22 22-01	SCREW ITXPANM		8

D AUTOMOWER 535 AWD
CENTER CONSOL

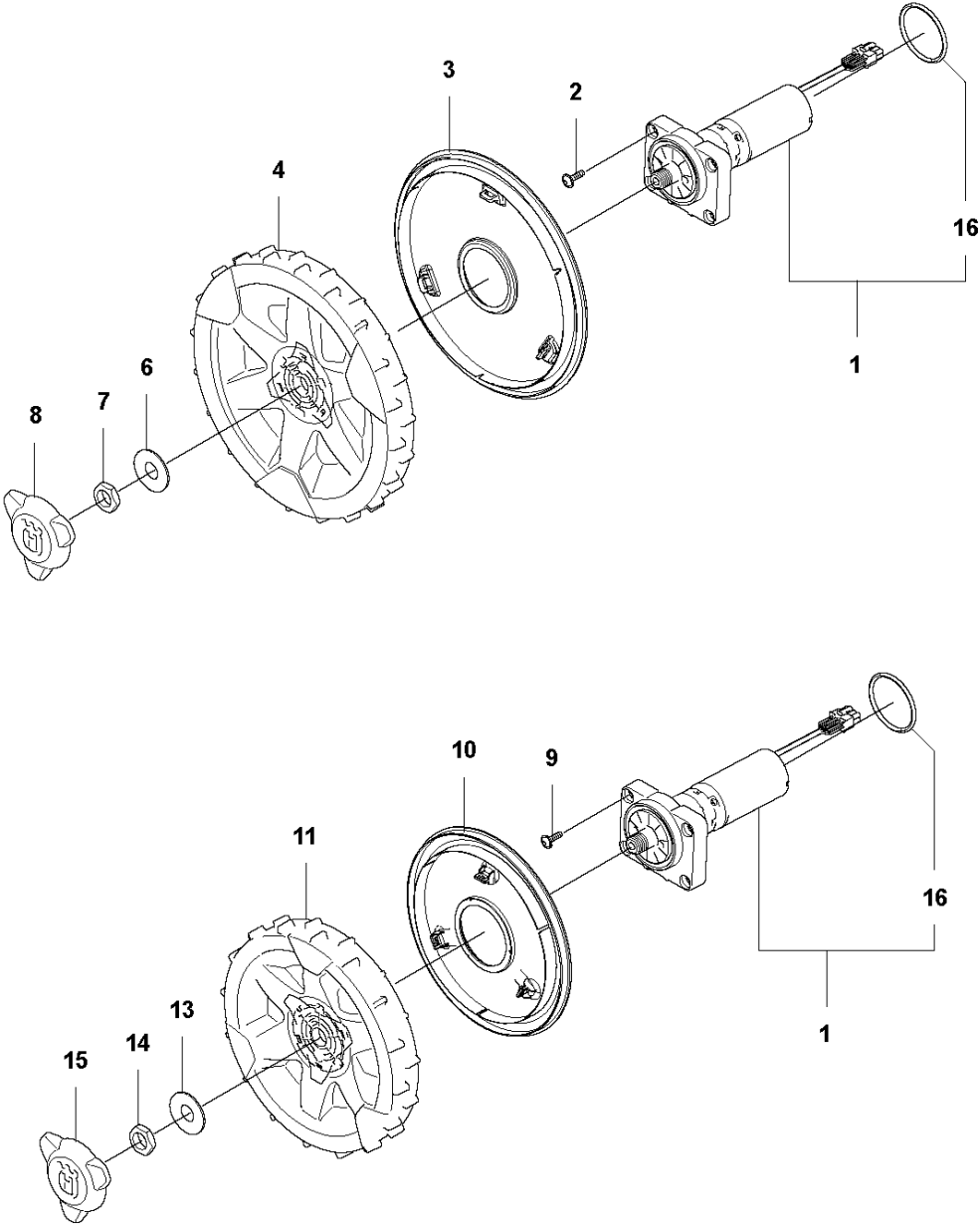


CENTER CONSOL

AUTOMOWER 535 AWD, 2020-

Ref	Part No	Description	Remark	QTY KIT
1	592 61 45-01	LID	HMI	2
2	574 45 01-01	SCREW ITXPANT	ITXPANT	10
3	597 16 22-02	COVER ASSY		1
4	592 61 42-02	KNOB ASSY	5 Serie	1
5	576 92 15-01	AIR FILTER		1
6	574 87 47-14	SEALING STRIP	Chassis upper front	1
14	591 10 02-01	PRINTED CIRCUIT ASSY	Application Board	1
15	525 88 74-01	SCREW CITXPANT		6
16	597 16 21-01	HANDLE KIT		1
21	593 35 51-01	CLAMP		1
22	591 35 17-01	HANDLE SUPPORT		1
23	591 48 71-03	COVER		1
24	586 44 49-01	SCREW ITXSCT		2
25	593 35 52-01	CLAMP	Main Cable	1
26	503 22 04-01	NUT	Washer	1
27	590 94 42-01	LINK ARM		1
28	580 29 29-01	SCREW ITXSCT		5
29	544 21 84-03	SCREW ITXSCM		4
30	591 20 32-01	WIRING ASSY		1
32	586 44 49-01	SCREW ITXSCT		2
33	592 94 40-01	SWITCH		1
34	597 16 64-01	PIVOTING ARM KIT		1
35	740 43 13-00	O-RING		2
36	592 62 90-01	SCREW		1
37	525 82 44-01	SCREW ITXSCM		4
38	597 47 61-01	CLIP		1
39	591 45 22-01	WIRING ASSY		1

E AUTOMOWER 535 AWD
WHEELS & TIRES

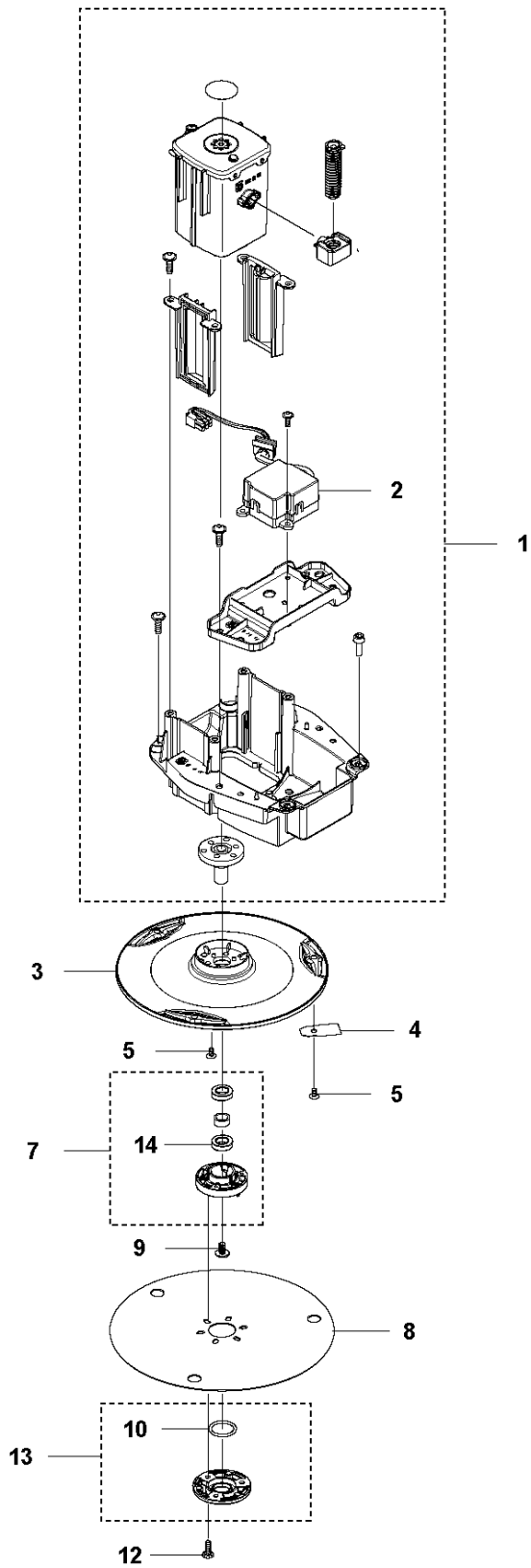


WHEELS & TIRES

AUTOMOWER 535 AWD, 2020-

Ref	Part No	Description	Remark	QTY	KIT
1	581 62 13-06	MOTOR KIT		2	
2	574 45 01-01	SCREW ITXPANT		8	
3	582 27 60-01	COVER		2	
4	582 27 25-01	WHEEL	Grey	2	
6	586 21 06-01	WASHER		4	
7	731 43 24-01	HEXAGON THIN NUT		4	
8	579 50 55-02	HUB CAP		2	
9	574 45 01-01	SCREW ITXPANT		8	
10	585 06 56-01	COVER		2	
11	590 21 75-01	WHEEL	Grey	2	
13	586 21 06-01	WASHER		4	
14	731 43 24-01	HEXAGON THIN NUT		4	
15	579 50 55-02	HUB CAP		2	
16	580 44 39-02	O-RING		1	1

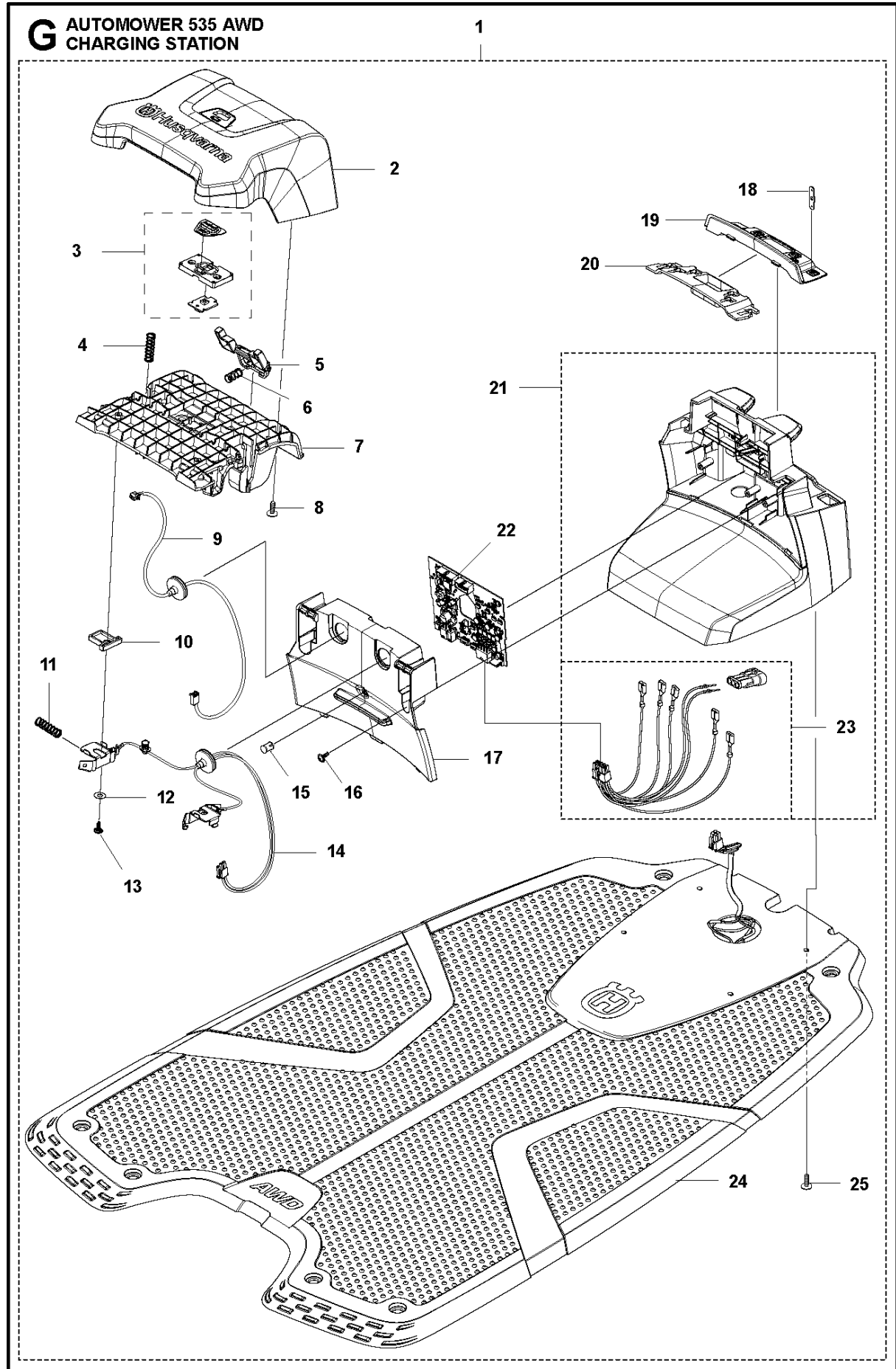
F AUTOMOWER 535 AWD
BLADE MOTOR & CUTTING EQUIPMENT



BLADE MOTOR & CUTTING EQUIPMENT

AUTOMOWER 535 AWD, 2020-

Ref	Part No	Description	Remark	QTY KIT
1	592 73 37-01	CUTTING MODULE		1
2	592 73 58-01	MOTOR		1
3	597 42 22-01	CUTTING DISC		2
4	577 86 46-03	BLADE SET	Long Life Safety Blade, Blister Pack 9 pcs	1
4	577 60 65-05	BLADE SET	Long Life Safety Blade, 45 pcs	1
4	577 60 66-04	BLADE SET	Long Life Safety Blade, 300 pcs	1
4	595 08 44-01	BLADE SET	Endurance Blade, 6 pcs	1
4	595 08 44-02	BLADE SET	Endurance Blade, 45 pcs	1
4	595 08 44-03	BLADE SET	Endurance Blade, 300 pcs	1
5	590 50 87-01	SCREW		3
7	588 42 17-02	BEARING HOUSING ASSY		1
8	585 29 70-01	SKID PLATE		1
9	535 07 60-01	SCREW		1
10	585 29 75-01	O-RING		1
12	575 54 33-14	SCREW		1
13	587 44 96-01	COVER KIT		1
14	535 07 57-03	BALL BEARING		2
14	593 08 08-01	BALL BEARING	Tube 50 pcs	2

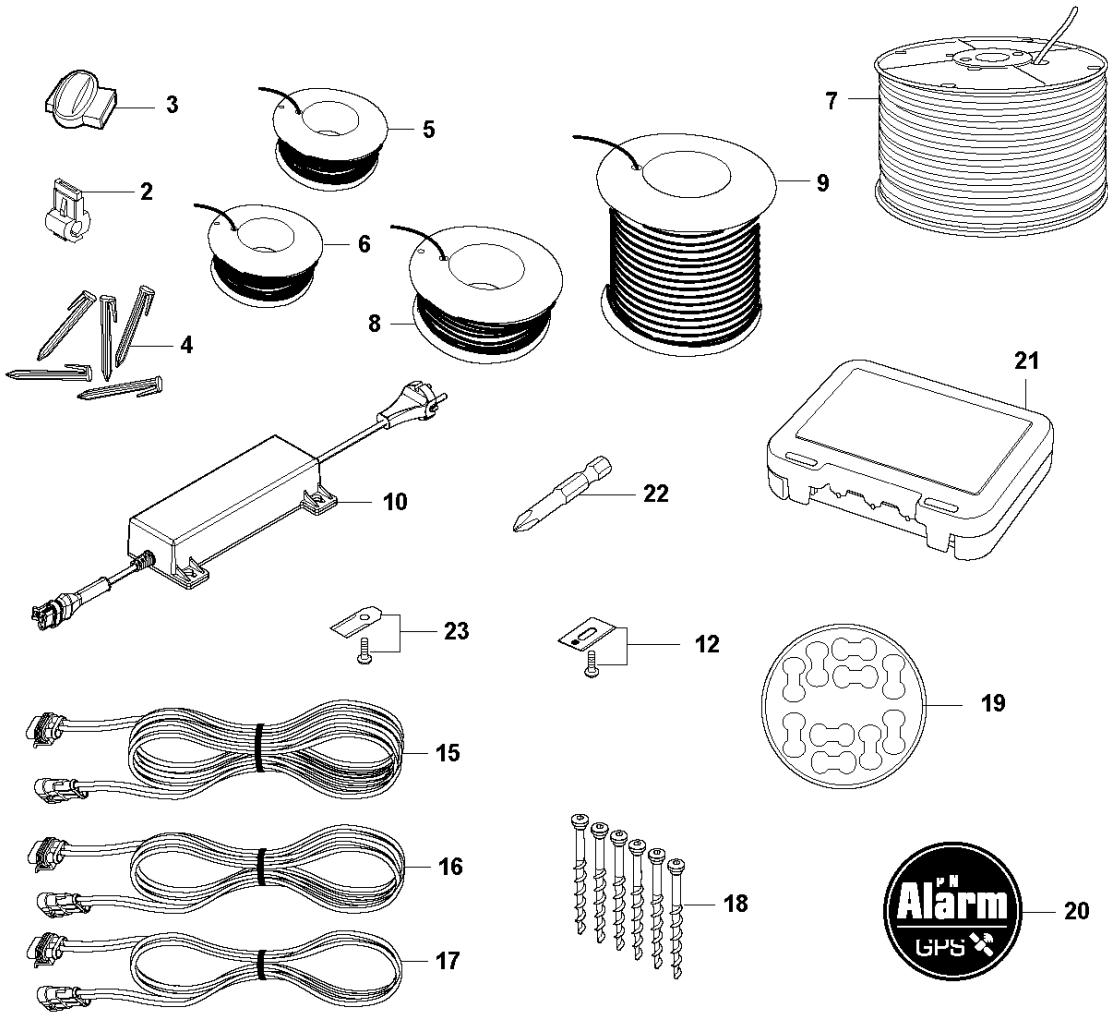
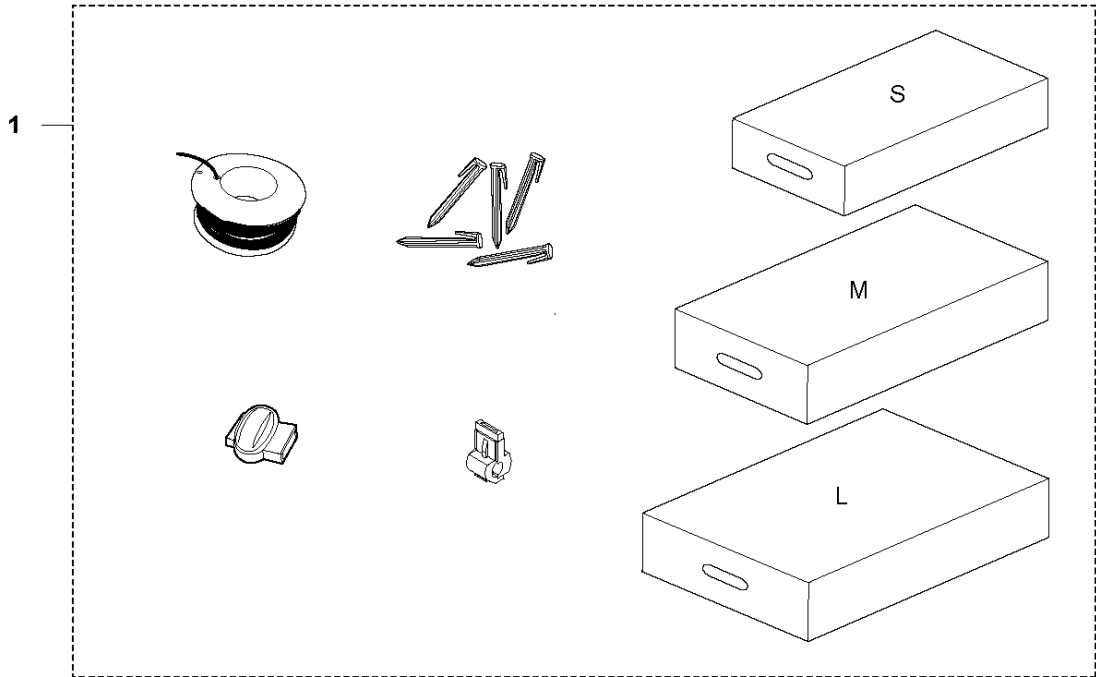


CHARGING STATION

AUTOMOWER 535 AWD, 2020-

Ref	Part No	Description	Remark	QTY KIT
1	595 31 01-02	CHARGING STATION	Universal P25 3 guides with parkbutton	1
2	579 44 82-03	CAP	Without Park button	1
2	579 44 82-04	CAP	With park button	1
3	501 06 59-01	BUTTON KIT	Home Button Kit	1
4	580 51 14-01	SPRING		2
5	579 46 24-02	BUTTON	Button-Release	1
6	574 48 70-01	SPRING		1
7	579 45 80-04	FRAME		1
8	575 54 33-14	SCREW		12
9	579 70 83-01	LOOM	Home Button Wiring	1
10	579 46 05-01	SPACER		2
11	580 51 14-01	SPRING		2
12	734 11 37-41	WASHER		2
13	575 54 33-14	SCREW		2
14	585 53 95-02	CABLE ASSY	Loom Charging Contact	1
15	590 21 72-01	LENS		1
16	575 54 33-14	SCREW		2
17	579 45 97-03	LID	2 holes	1
17	579 45 97-04	LID	1 hole	1
18	580 50 41-01	TERMINAL		5
19	579 45 98-03	PANEL		1
20	579 45 99-01	HOLDER		1
21	588 18 88-01	HOUSING ASSY	Kolla samma P2	1
22	596 32 80-03	PRINTED CIRCUIT ASSY	PCBA Charging Station	1
23	588 47 89-01	CABLE KIT	Wiring CS	1
24	595 28 36-01	BASE ASSY	Charging Plate	1
25	575 54 33-14	SCREW		12

H AUTOMOWER 535 AWD INSTALLATION ACCESSORIES

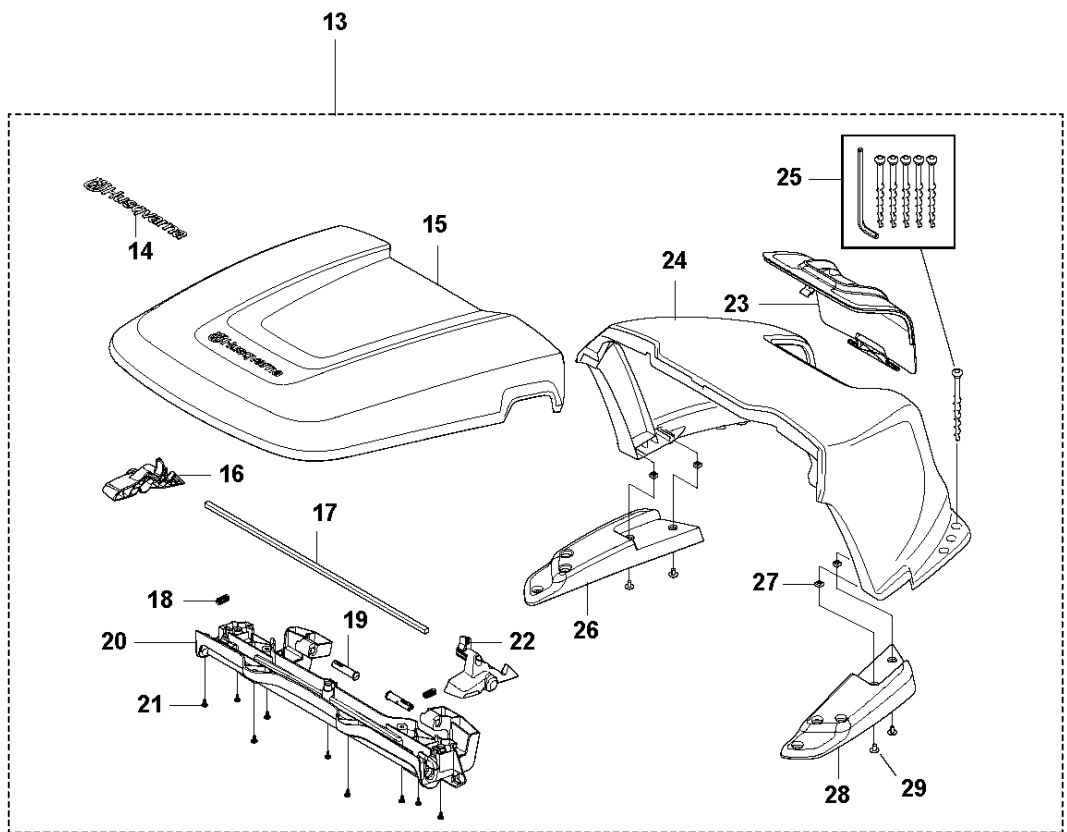
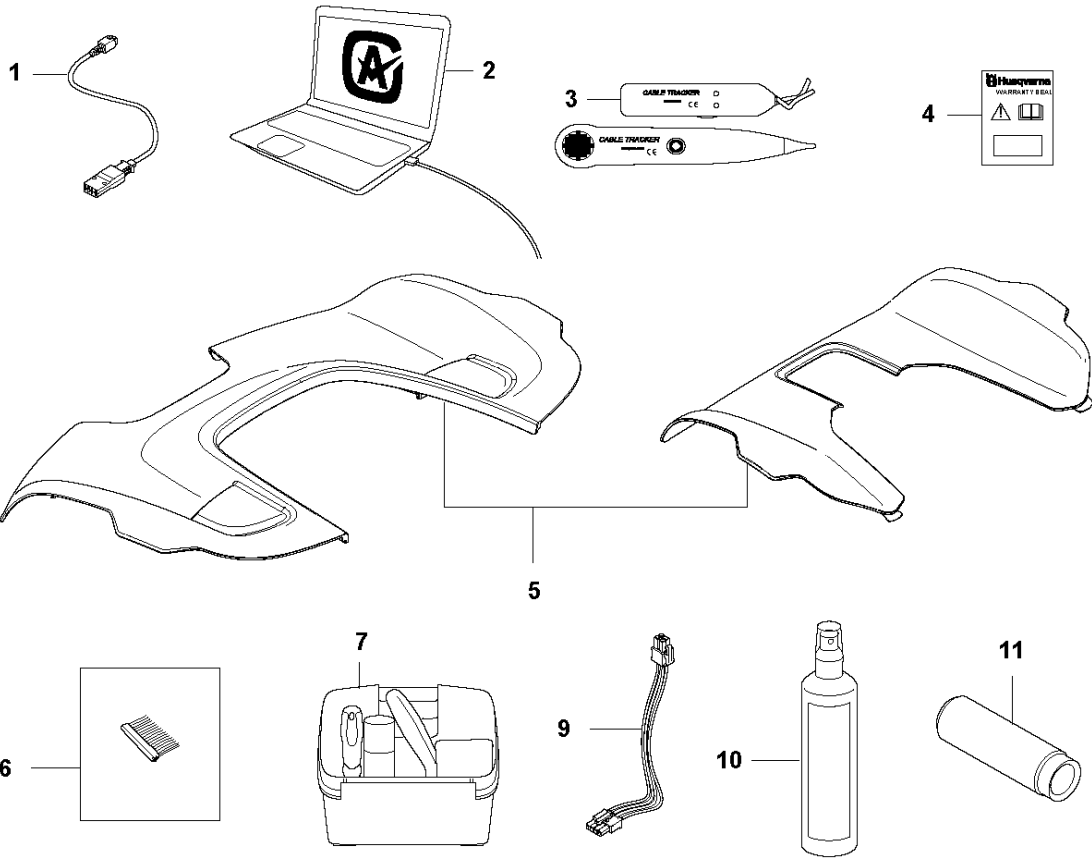


INSTALLATION ACCESSORIES

AUTOMOWER 535 AWD, 2020-

Ref	Part No	Description	Remark	QTY KIT
1	967 62 36-01	INSTALLATION KIT	S Wire 150 m, Staples 300 pc, Connectors 3 pcs, Couplers 5 pcs	1
1	967 62 36-02	INSTALLATION KIT	M Wire 250 m, Staples 400 pc, Connectors 3 pcs, Couplers 5 pcs	1
1	967 62 36-03	INSTALLATION KIT	S Wire 400 m, Staples 600 pc, Connectors 5 pcs, Couplers 5 pcs	1
2	535 12 90-01	CONNECTOR	Loop Wire Connector	1
2	577 86 48-01	CONNECTOR	Loop Wire Connector, Blister Pack 5 pcs	1
2	535 12 90-02	CONNECTOR	Loop Wire Connector, Blister Pack 100 pcs	1
3	501 98 02-01	COUPLER	Coupler	1
3	577 86 47-01	COUPLER	Coupler, Blister Pack 5 pcs	1
3	501 98 02-03	COUPLER	Coupler, 100 pcs	1
4	577 86 42-01	STAPLE	Staple Blister Pack 100 pcs	1
4	583 97 34-01	STAPLE	100 pcs	1
5	577 86 43-02	WIRE	Wire, Blister Pack 50 m	1
5	580 66 20-02	WIRE	Wire, 150 m	1
5	577 86 43-01	WIRE	Wire, Blister Pack 150 m	1
6	580 66 20-01	WIRE	Wire, 250 m	1
7	593 29 77-01	WIRE	Wire Pro, 300 m	1
8	522 91 41-01	WIRE	Wire, 500 m, diam 3,4mm	1
9	580 66 20-04	WIRE	Wire, 800 m	1
10	590 44 25-01	POWER UNIT	Power Unit EU	1
10	590 44 25-02	POWER UNIT	Power Unit GB	1
10	590 44 25-03	POWER UNIT	Power Unit CH	1
10	590 44 25-04	POWER UNIT	Power Unit US	1
10	590 44 25-05	POWER UNIT	Power Unit AUS/NZ	1
12	595 08 44-01	BLADE SET	Endurance Blade, 6 pcs	1
12	595 08 44-02	BLADE SET	Endurance Blade, 45 pcs	1
12	595 08 44-03	BLADE SET	Endurance Blade, 300 pcs	1
15	588 76 50-04	CABLE	Low Voltage Cable, 20 m	1
16	588 76 50-05	CABLE	Low Voltage Cable, 10 m	1
17	588 76 50-06	CABLE	Low Voltage Cable, 3 m	1
18	575 23 86-01	SCREW KIT	6 pcs	1
18	577 86 49-01	SCREW	Blister Pack, 3 pcs	1
19	586 27 79-01	STICKER	Cable Markers, 10 pcs	1
20	594 05 48-01	LABEL	Label Alarm	1
21	590 85 50-01	BOX	Cable Connector Protection	1
22	596 33 98-01	TOOL	Bit for Robotic Blades	1
23	577 86 46-03	BLADE SET	Long Life Safety Blade, Blister Pack 9 pcs	1
23	577 60 65-05	BLADE SET	Long Life Safety Blade, 45 pcs	1
23	577 60 66-04	BLADE SET	Long Life Safety Blade, 300 pcs	1

**AUTOMOWER 535 AWD
ACCESSORIES**



ACCESSORIES

AUTOMOWER 535 AWD, 2020-

Ref	Part No	Description	Remark	QTY KIT
1	588 20 26-01	CABLE ASSY	Cable Quick Charger	1
3	577 60 68-01	TEST EQUIPMENT	Interruption Detector	1
4	580 68 95-02	LABEL	Warranty seal	1
5	596 30 02-01	BODY KIT	Top Cover Grey	1
5	596 30 02-02	BODY KIT	Top Cover Orange	1
6	505 13 28-03	BRUSH	6 pcs	1
7	590 85 51-01	KIT	Maintenance and Cleaning Kit	1
9	591 20 36-01	WIRING ASSY	Battery Cable Robotic Mower L:160mm	1
10	593 96 79-01	SPRAY	Care and Shine 200 ml	1
11	502 51 94-01	MANDREL	Tool for splitting chassis	1
13	597 63 53-01	HOUSING	House KIT	1
14	577 06 20-01	DECAL	DECAL	1
15	598 46 55-01	COVER	COVER	1
16	585 32 40-02	HANDLE	Handle Left	1
17	585 32 41-01	ROD	Steel Rod	1
18	580 51 14-01	SPRING	Spring	2
19	585 34 15-01	HINGE PIN	Hinge Pin	2
20	585 34 16-01	BEAM	Beam	1
21	575 54 33-14	SCREW	Screw	9
22	585 32 40-01	HANDLE	Handle Right	1
23	585 32 36-01	HATCH	Hatch	1
24	597 63 58-01	HOUSING	Cover Base	1
25	597 43 58-01	ANCHOR	Screw Kit	1
26	585 32 38-02	SUPPORT	Support Base Left	1
27	503 22 66-01	SQUARE NUT	Square Nut	4
28	585 32 38-01	SUPPORT	Support Base Left	1
29	535 12 93-03	SCREW IHPANM	Screw	4