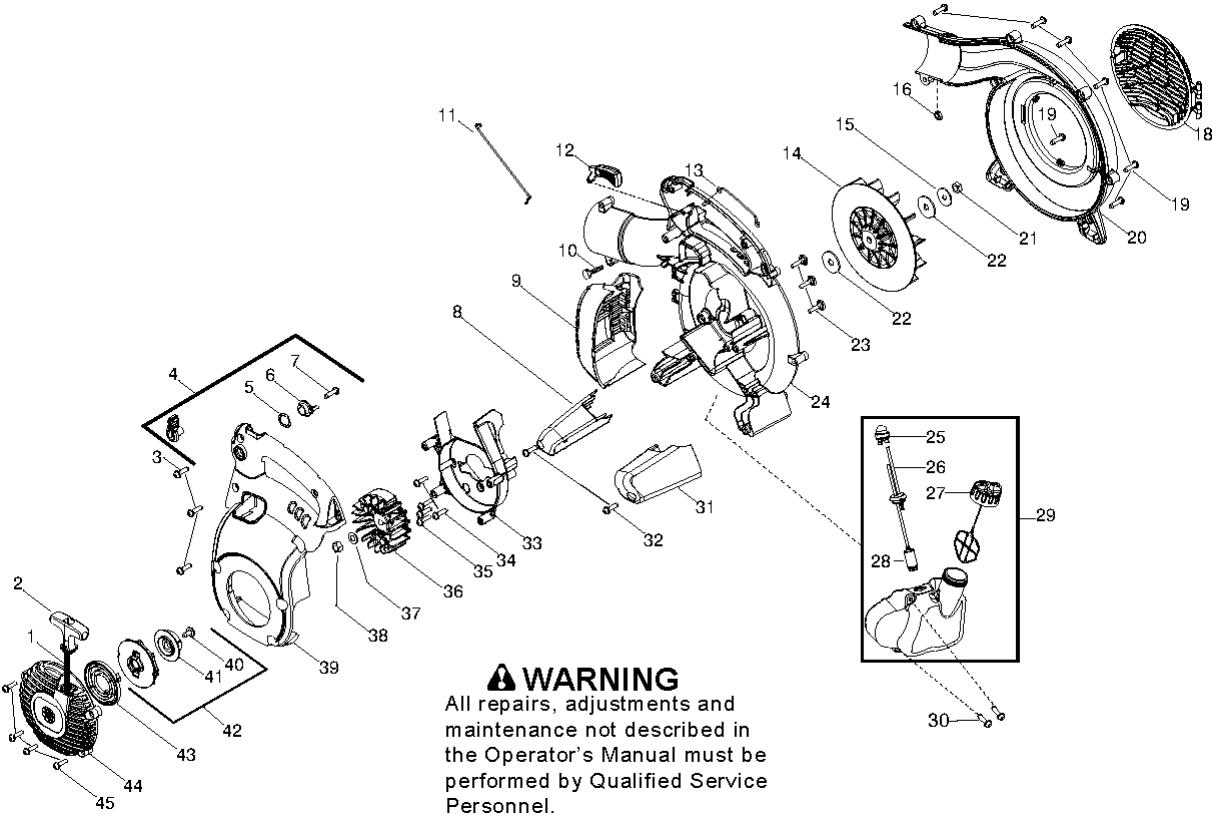




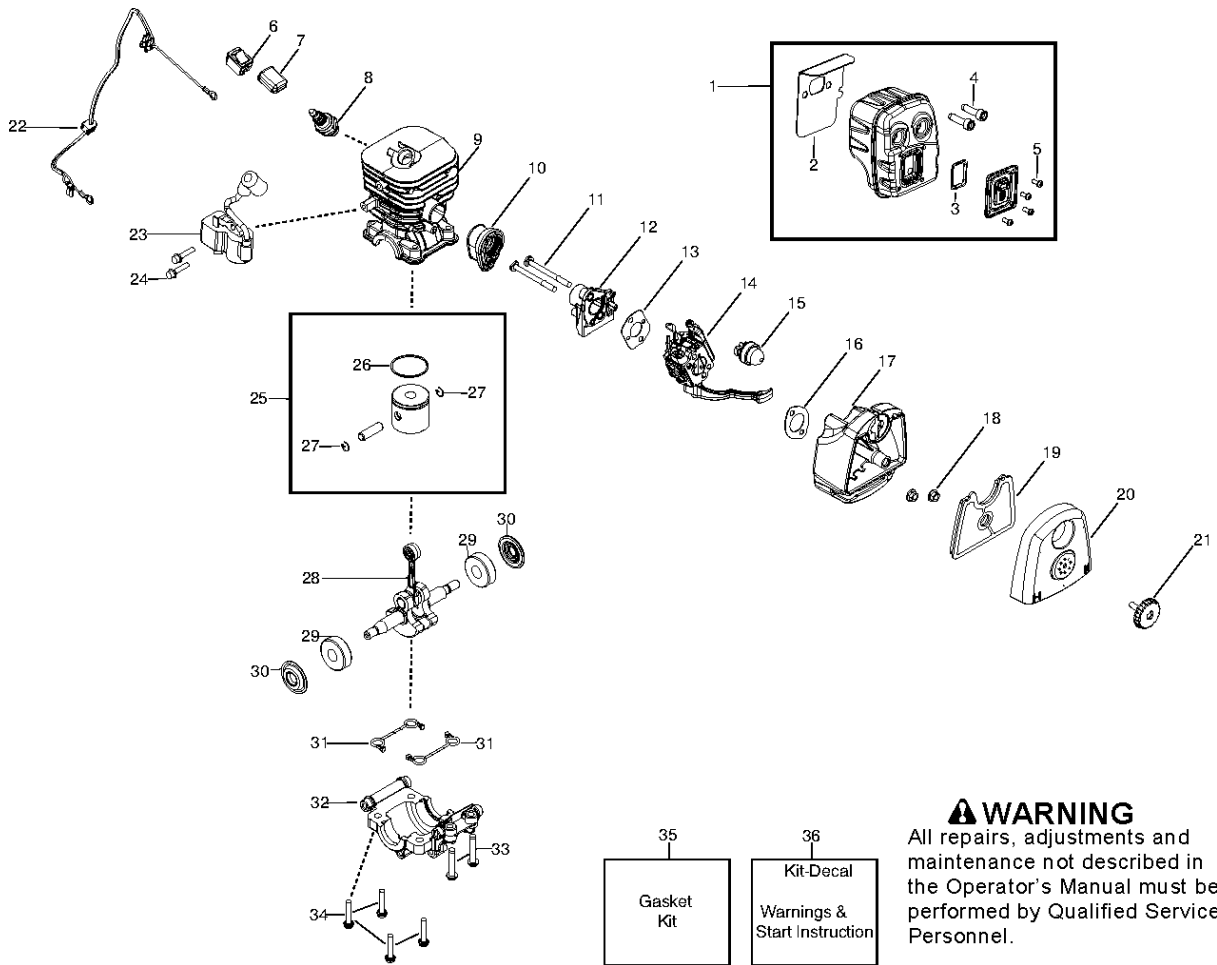
SPARE PARTS LIST

BLOWERS

125 B



Ref	Part No	Description	Remark	QTY	KIT
1	545 08 18-17	KIT		1	
2	545 04 32-04	STARTER HANDLE		1	
3	530 01 58-14	SCREW		3	
4	545 08 18-22	KIT		1	5,6,7
5	530 01 51-47	WASHER		1	
6	545 11 15-01	RATCHET CRUISE CONTROL		1	
7	530 01 58-14	SCREW		1	
8	545 14 03-01	FOOT, FRONT IMPACT		1	
9	545 15 79-01	ASSY, MUFFLER GUARD		1	
10	545 00 35-02	SCREW		1	
11	545 11 13-01	WIRE		1	
12	545 11 16-01	TRIGGER, THROTTLE		1	
13	545 13 17-01	WIRE		1	
14	*****	SEE SERVICE REFERENCE		1	
15	530 01 51-27	WASHER		1	
16	530 01 51-97	NUT		1	
18	545 11 12-02	COVER		1	
19	530 01 58-14	SCREW		7	
20	575 53 32-02	ASSEMBLY		1	18
21	545 14 71-01	NUT		1	
22	545 16 45-01	WASHER		2	
23	530 01 64-45	SCREW FUEL TANK RETAINER		3	
24	545 11 00-02	SCROLL		1	
25	530 04 77-21	PURGE		1	
26	581 79 80-01	FUEL HOSE		1	25,28
27	*****	SEE SERVICE REFERENCE		1	
28	530 09 56-46	FILTER		1	
29	*****	SEE SERVICE REFERENCE		1	25,26,27,28
30	530 01 58-14	SCREW		2	
31	545 14 04-01	FOOT, REAR IMPACT		1	
32	530 01 58-14	SCREW		2	
33	545 13 28-01	SCROLL, FLYWHEEL		1	
34	530 01 58-14	SCREW		2	
35	530 01 58-10	SCREW		3	
36	576 42 33-01	FLYWHEEL		1	
37	530 01 58-28	WASHER		1	
38	530 01 61-34	NUT		1	
39	545 11 10-02	MOTOR HOUSING		1	
40	545 11 28-01	SCREW		1	
41	545 14 08-01	HUB		1	
42	545 08 18-18	KIT		1	40,41
43	530 04 20-95	SPRING		1	
44	545 11 18-01	HOUSING - STARTER COVER		1	
45	530 01 63-86	SCREW		4	

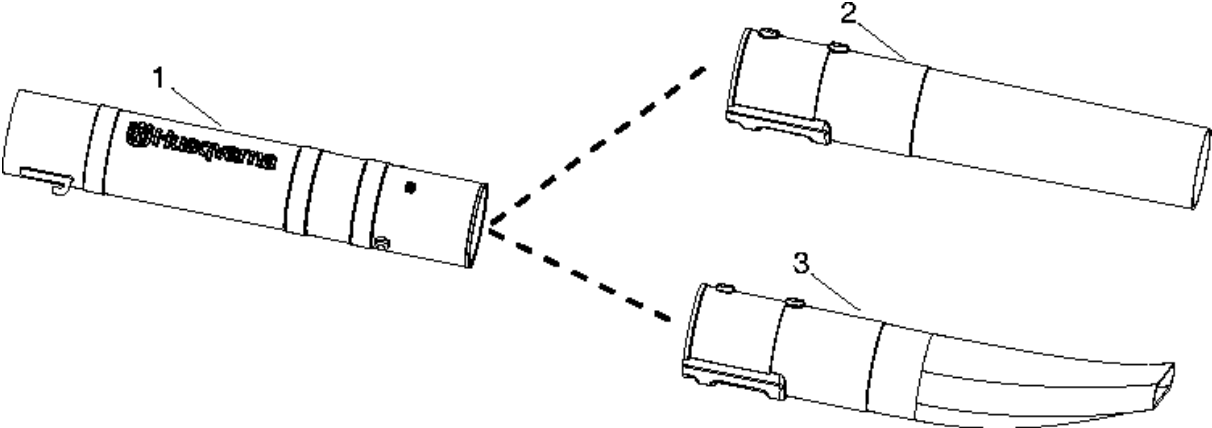


⚠ WARNING
All repairs, adjustments and maintenance not described in the Operator's Manual must be performed by Qualified Service Personnel.

ENGINE

125 B

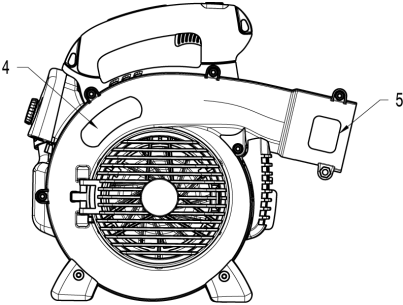
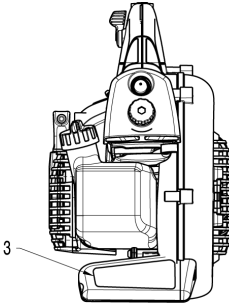
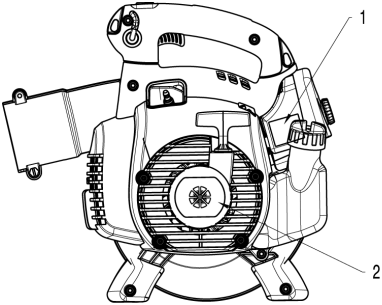
Ref	Part No	Description	Remark	QTY	KIT
1	580 50 27-01	MUFFLER		1	2,3,4,5
2	545 08 18-13	GASKET		1	2,13,16,31,35
3	545 08 18-10	KIT		1	5
4	530 05 89-82	BOLT		2	
5	530 01 52-41	SCREW		1	
6	545 04 93-01	SWITCH		1	
7	545 12 82-01	PROTECTOR, SWITCH		1	
8	952 03 02-49	SPARK PLUG		1	
9	587 59 73-01	CYLINDER	Chrome	1	
10	545 13 25-01	BOOT, CARB		1	
11	530 01 61-87	SCREW		1	
12	545 13 33-01	PLATE		1	
13	545 08 18-13	GASKET		1	2,13,16,31,35
14	545 08 18-11	CARBURETTOR		1	13,16
15	530 04 77-21	PURGE		1	
16	545 08 18-13	GASKET		1	2,13,16,31,35
17	545 10 98-01	BASE, AIRBOX		1	
18	530 01 61-01	NUT		1	
19	545 11 21-01	AIR FILTER		1	
20	545 10 96-01	COVER		1	
21	530 05 97-96	KNOB ASSY AIRBOX COVER		1	
22	545 10 82-02	ASSY, LEADWIRE		1	
23	545 10 81-01	IGNITION MODULE		1	
24	530 01 64-56	SCREW		1	
25	545 08 18-14	PISTON		1	26,27
26	575 22 79-01	RING		1	
27	530 01 51-62	CIRCLIP		1	
28	*****	SEE SERVICE REFERENCE		1	
29	545 01 34-01	BEARING		1	
30	545 08 18-15	KIT		1	
31	545 08 18-13	GASKET		1	2,13,16,31,35
32	545 06 83-01	BEARING CAP		1	
33	530 01 59-40	SCREW		1	
34	530 01 58-97	SCREW		1	
35	545 08 18-13	GASKET		1	2,13,16,31,35
36	545 08 18-63	KIT		1	



TUBE

125 B

Ref	Part No	Description	Remark	QTY KIT
1	545 14 02-01	TUBE		1
2	545 11 80-01	TUBE		1
3	545 11 95-01	NOZZLE		1



DECALS

125 B

Ref	Part No	Description	Remark	QTY KIT	
1	545 13 45-01	DECAL	Starting Instructions	1	
2	545 13 48-01	DECAL	Starter Housing	1	
3	587 55 31-06	DECAL	Warning (North America)	1	
3	587 55 31-03	DECAL	Warning (Outside North America)	1	
4	N.U.	NOT USED	Not Used	1	
5	585 72 94-09	DECAL	Impeller Warning	1	
	545 08 18-09	KIT	Starting & Warning Decals (North America)	1	1,3
	545 08 18-63	KIT	Starting & Warning Decals (Outside North America)	1	1,3

******* Service Reference *********125B & 125BVX MODELS**

Note: Due to product improvements, your unit may have a different crankshaft assembly. Please refer to the serial number on your unit and order the appropriate parts shown:

Serial Number - 201414XXXXX and lower, please use the following parts:

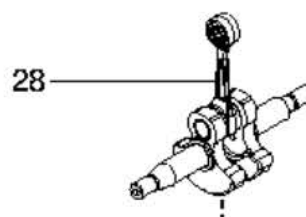
ENGINE Ref. #28 545081816 KIT, CRANKSHAFT

Note: KIT, CRANKSHAFT (P/N 545081816) cannot be used with IMPELLER (P/N 581449401). Use only with IMPELLER (P/N 545173201).

Serial Number - 201415XXXXX and higher, please use the following parts:

ENGINE Ref. #28 588199401 KIT, CRANKSHAFT

Note: KIT, CRANKSHAFT (P/N 588199401) cannot be used with IMPELLER (P/N 545173201). Use only with IMPELLER (P/N 581449401).



Part No	Description	Remark	QTY KIT
545 08 18-16	KIT	Serial Number - 201414XXXXX and lower	1
588 19 94-01	CRANKSHAFT KIT	Serial Number - 201415XXXXX and higher	1

**** Service Reference ****

125B & 125BVX MODELS

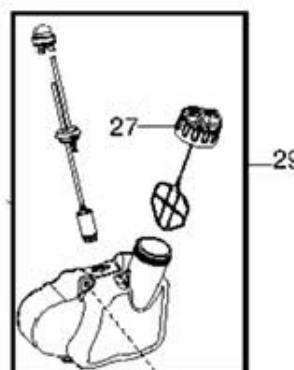
Note: Due to product improvements, your unit may have a different fuel tank assembly, fuel cap and fuel lines. Please refer to the serial number on your unit and order the appropriate parts shown:

Serial Number - 201212XXXXX and lower, please use the following parts:

HOUSING	Ref. #27	530150350	CAP, FUEL
HOUSING	Ref. #29	545108901	ASSY, FUEL TANK

Serial Number - 201213XXXXX and higher, please use the following parts:

HOUSING	Ref. #27	578931503	CAP, FUEL
HOUSING	Ref. #29	581337209	ASSY, FUEL TANK

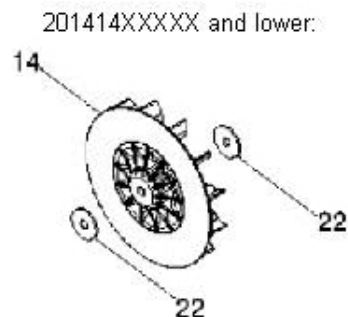


Note: Due to product improvements, your unit may have a different impeller assembly. Please refer to the serial number on your unit and order the appropriate parts shown:

Serial Number - 201414XXXXX and lower, please use the following parts:

HOUSING	Ref. #14	545173201	IMPELLER
HOUSING	Ref. #22	545164501	WASHER (QTY. 2)
ENGINE	Ref. #28	545081816	KIT, CRANKSHAFT

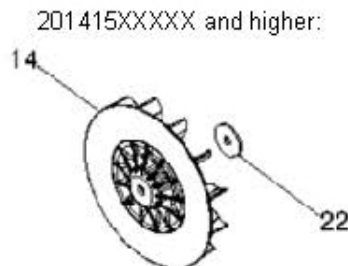
Note: IMPELLER (P/N 545173201) cannot be used with KIT, CRANKSHAFT (P/N 588199401). Use only with KIT, CRANKSHAFT (P/N 545081816).



Serial Number - 201415XXXXX and higher, please use the following parts:

HOUSING	Ref. #14	581449401	IMPELLER
HOUSING	Ref. #22	545164501	WASHER (QTY. 1)
ENGINE	Ref. #28	588199401	KIT, CRANKSHAFT

Note: IMPELLER (P/N 581449401) cannot be used with KIT, CRANKSHAFT (P/N 545081816). Use only with KIT, CRANKSHAFT (P/N 588199401).



SERVICE REFERENCE

125 B

Part No	Description	Remark	QTY KIT
530 15 03-50	TANK	Serial Number - 201212XXXXX and lower	1
545 08 18-16	KIT	Serial Number - 201414XXXXX and lower	1
545 10 89-01	FUEL TANK ASSY	Serial Number - 201212XXXXX and lower	1
545 16 45-01	WASHER	Serial Number - 201415XXXXX and higher	1
545 16 45-01	WASHER	Serial Number - 201414XXXXX and lower	1
545 17 32-01	IMPELLER	Serial Number - 201414XXXXX and lower	1
578 93 15-03	FUEL CAP ASSY	Serial Number - 201213XXXXX and higher	1
581 33 72-09	TANK	Serial Number - 201213XXXXX and higher	1
581 44 94-01	IMPELLER	Serial Number - 201415XXXXX and higher	1
588 19 94-01	CRANKSHAFT KIT	Serial Number - 201415XXXXX and higher	1