

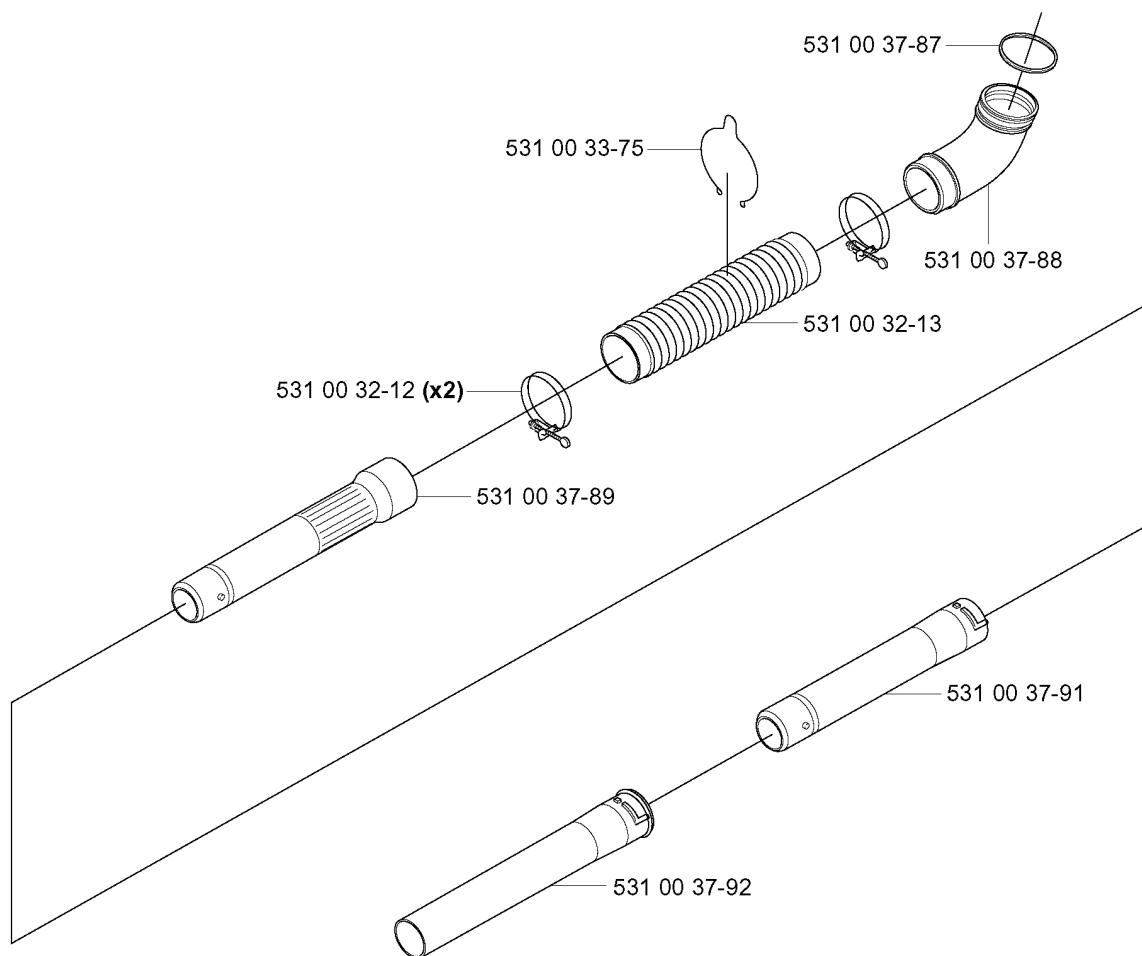


SPARE PARTS LIST

BLOWERS

125 BT KAWASAKI, TH026D-AC57,
20041800001-Current

A

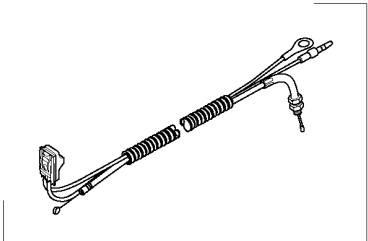


TUBE
20041800001-Current

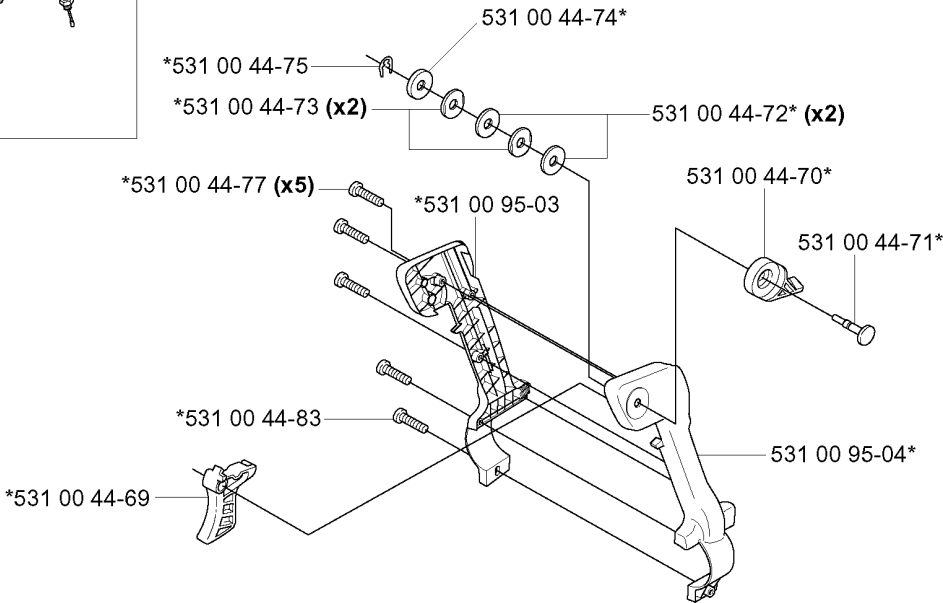
125 BT KAWASAKI, TH026D-AC57,

Part No	Description	Remark	QTY KIT
531 00 32-12	CLAMP		2
531 00 32-13	PIPE		1
531 00 33-75	HOLDER		1
531 00 37-87	O-RING		1
531 00 37-88	PIPE		1
531 00 37-89	PIPE		1
531 00 37-91	PIPE		1
531 00 37-92	PIPE		1

B *compl 531 00 37-90



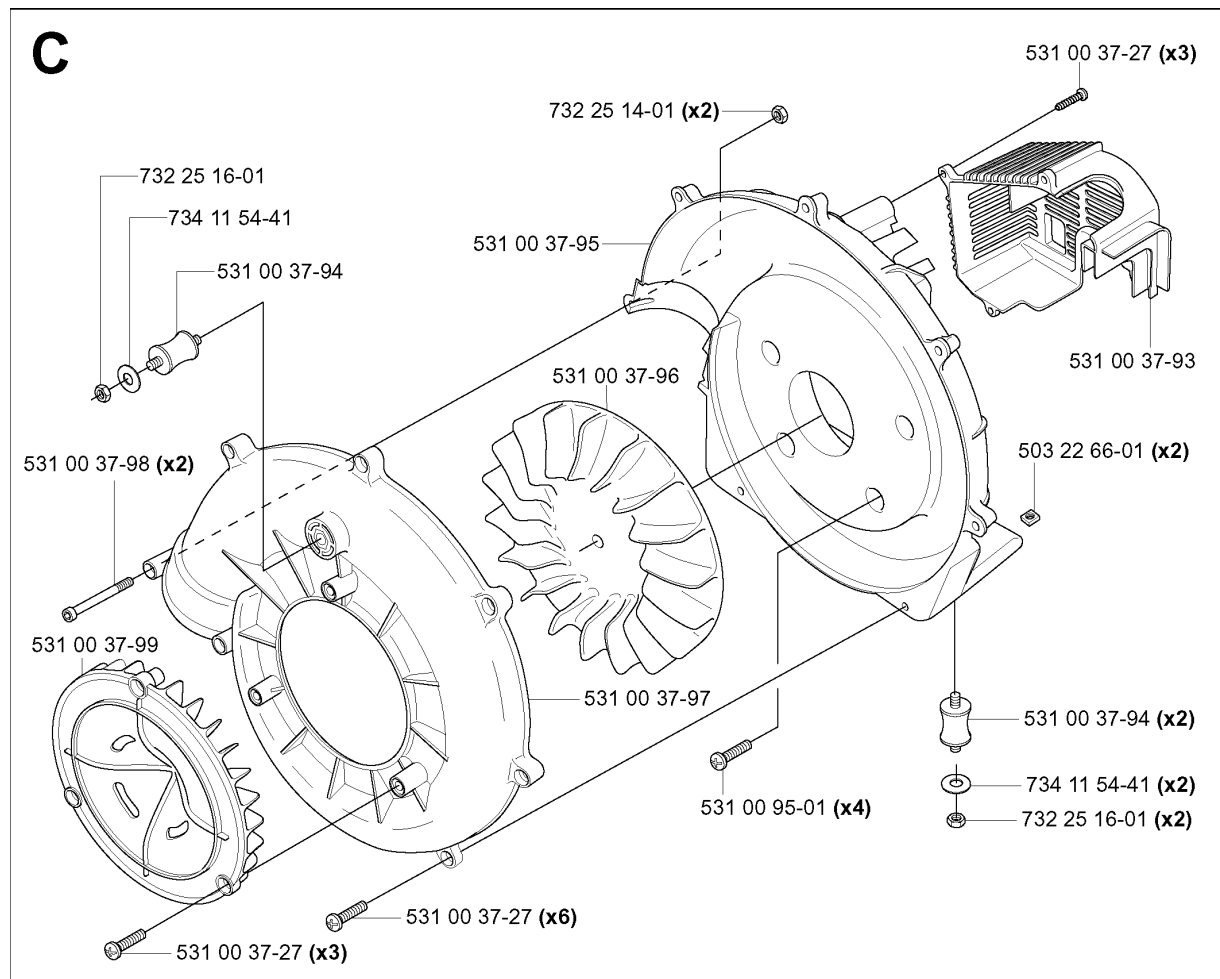
*531 00 95-05



HANDLE & CONTROLS
20041800001-Current

125 BT KAWASAKI, TH026D-AC57,

Part No	Description	Remark	QTY KIT
531 00 37-90	THROTTLE TRIGGER		1
531 00 44-69	LEVER		1
531 00 44-70	LEVER		1
531 00 44-71	SHAFT		1
531 00 44-72	WASHER		2
531 00 44-73	WASHER		2
531 00 44-74	WASHER		1
531 00 44-75	RETAINER RING		1
531 00 44-77	SCREW		5
531 00 44-83	SCREW		1
531 00 95-03	HANDLE		1
531 00 95-04	HANDLE		1
531 00 95-05	CABLE ASSY		1

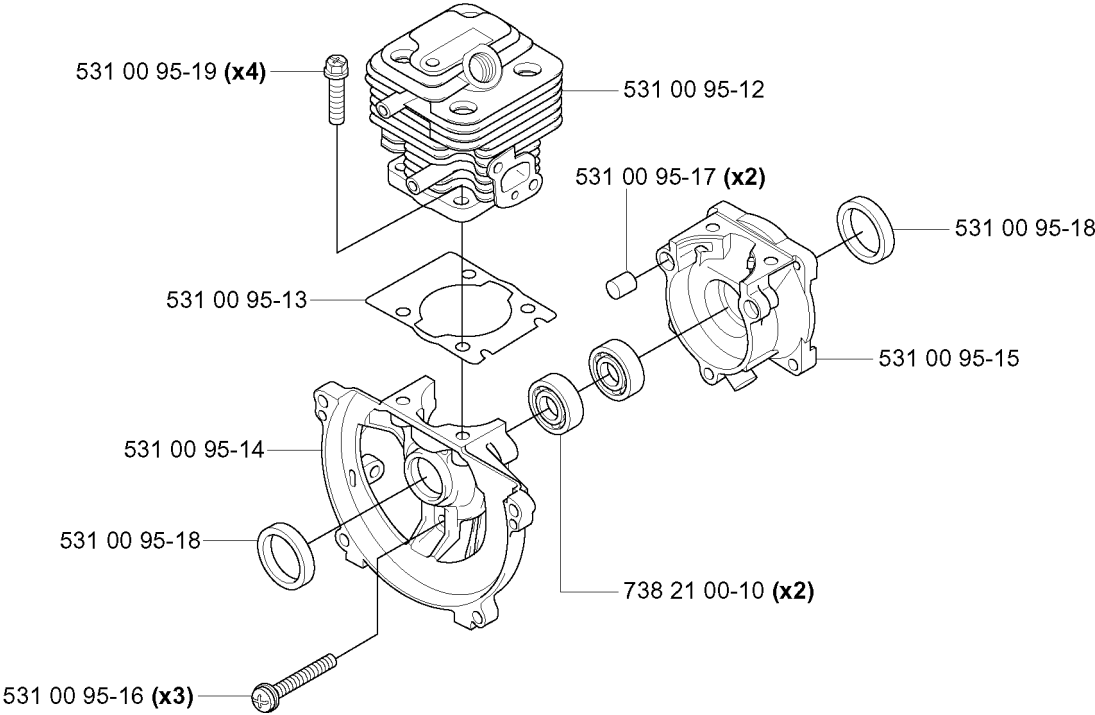


FAN
20041800001-Current

125 BT KAWASAKI, TH026D-AC57,

Part No	Description	Remark	QTY KIT
503 22 66-01	SQUARE NUT		2
531 00 37-27	SCREW		3
531 00 37-27	SCREW		3
531 00 37-27	SCREW		6
531 00 37-93	COVER		1
531 00 37-94	ABSORBER		2
531 00 37-94	ABSORBER		1
531 00 37-95	HOUSING		1
531 00 37-96	FAN		1
531 00 37-97	HOUSING		1
531 00 37-98	SCREW		2
531 00 37-99	PROTECTOR		1
531 00 95-01	SCREW		4
732 25 14-01	HEXAGON LOCKING NUT		2
732 25 16-01	HEXAGON LOCKING NUT		1
732 25 16-01	HEXAGON LOCKING NUT		2
734 11 54-41	WASHER		2
734 11 54-41	WASHER		1

D

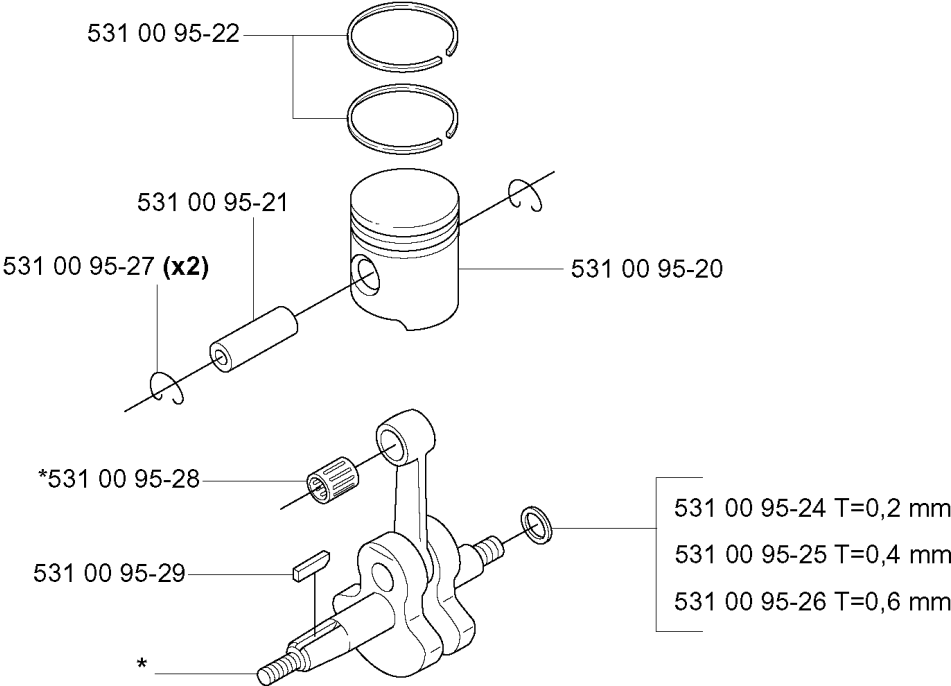


CYLINDER & CRANKCASE
20041800001-Current

125 BT KAWASAKI, TH026D-AC57,

Part No	Description	Remark	QTY KIT
531 00 95-12	CYLINDER		1
531 00 95-13	GASKET		1
531 00 95-14	CRANKCASE		1
531 00 95-15	CRANKCASE		1
531 00 95-16	SCREW		3
531 00 95-17	PIN RETAINING SCREW		2
531 00 95-18	SEALING		1
531 00 95-18	SEALING		1
531 00 95-19	SCREW		4
738 21 00-10	BALL BEARING		2

E *compl 531 00 95-23

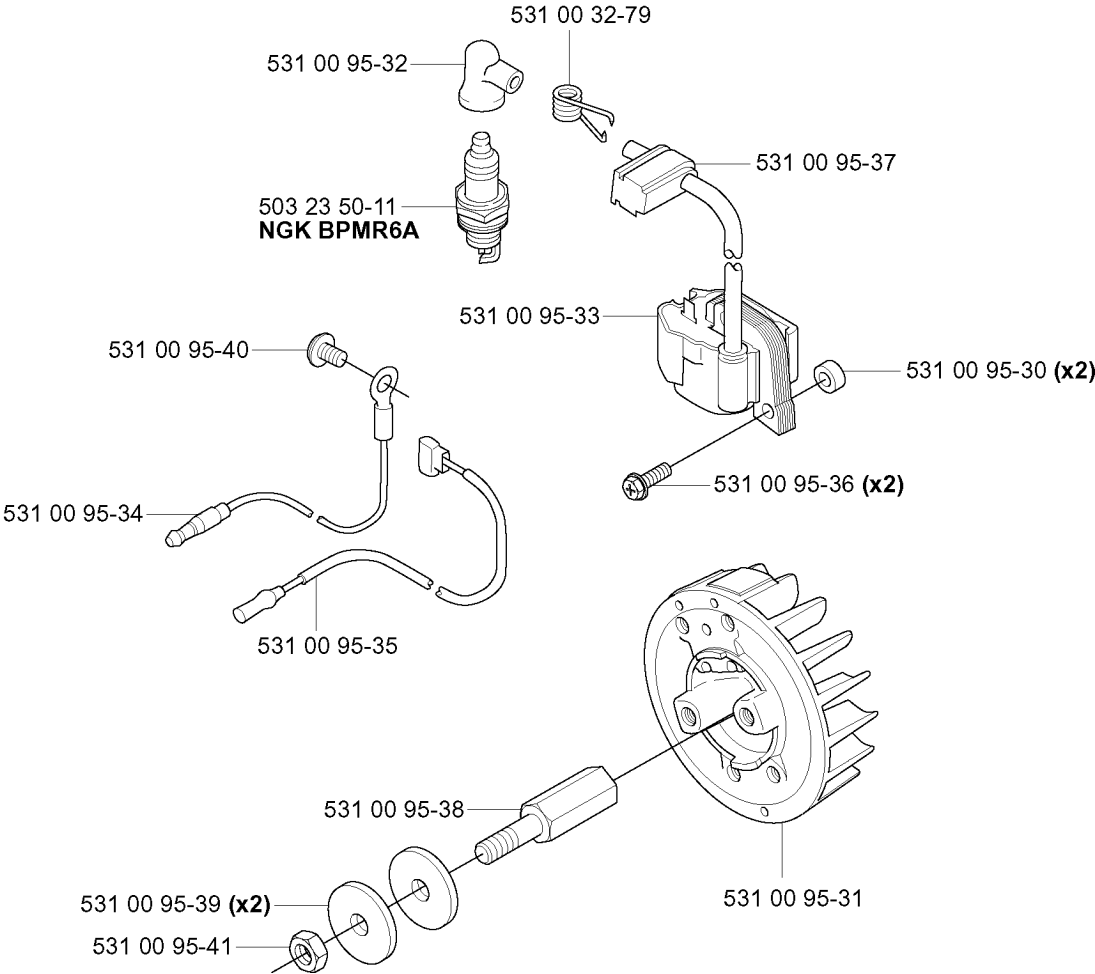


PISTON & CRANKSHAFT
20041800001-Current

125 BT KAWASAKI, TH026D-AC57,

Part No	Description	Remark	QTY KIT
531 00 95-20	PISTON		1
531 00 95-21	PISTON BOLT		1
531 00 95-22	PISTON RING		1
531 00 95-23	CRANKSHAFT		1
531 00 95-24	WASHER	T=0,2 MM	1
531 00 95-25	WASHER	T=0,4 MM	1
531 00 95-26	WASHER	T=0,6 MM	1
531 00 95-27	RETAINER RING		2
531 00 95-28	NEEDLE BEARING		1
531 00 95-29	KEY		1

F

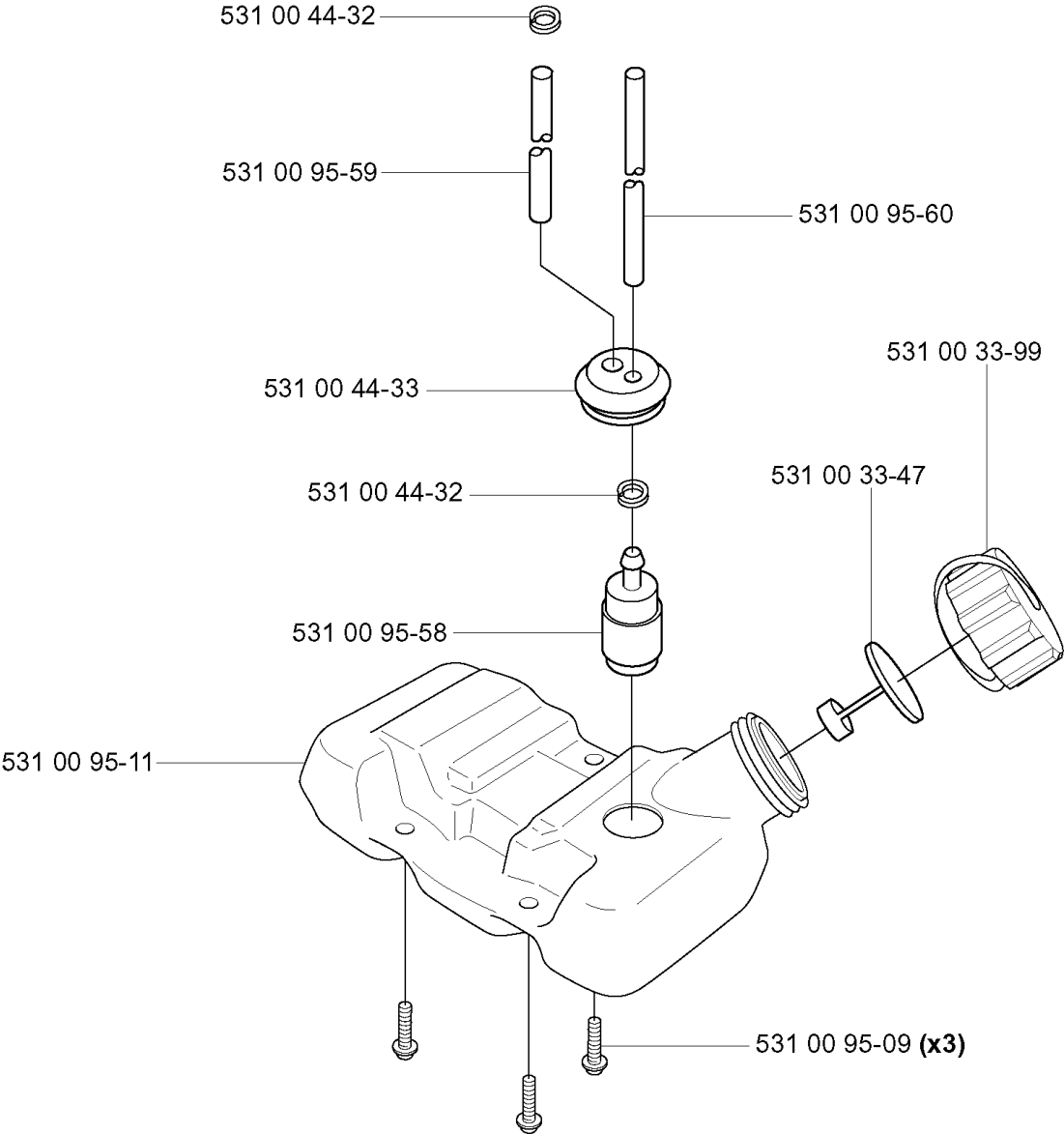


IGNITION SYSTEM
20041800001-Current

125 BT KAWASAKI, TH026D-AC57,

Part No	Description	Remark	QTY KIT
503 23 50-11	SPARK PLUG	NGK BPMR6A	1
531 00 32-79	SPRING		1
531 00 95-30	INSULATION		2
531 00 95-31	FLYWHEEL		1
531 00 95-32	HUB CAP		1
531 00 95-33	IGNITION COIL		1
531 00 95-34	CABLE		1
531 00 95-35	CABLE		1
531 00 95-36	SCREW		2
531 00 95-37	SEALING		1
531 00 95-38	SHAFT		1
531 00 95-39	WASHER		2
531 00 95-40	SCREW		1
531 00 95-41	NUT		1

G

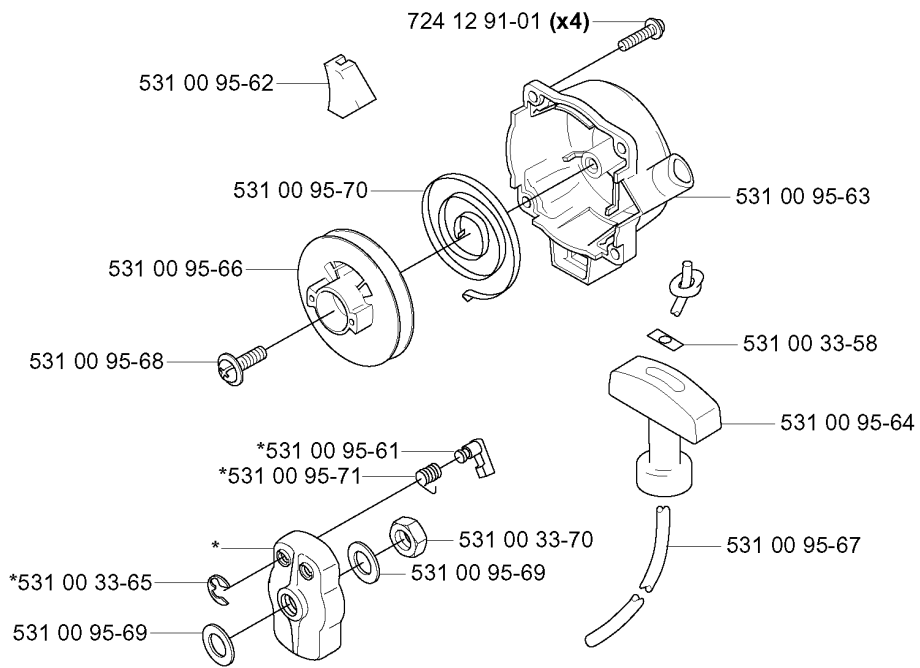


FUEL TANK
20041800001-Current

125 BT KAWASAKI, TH026D-AC57,

Part No	Description	Remark	QTY KIT
531 00 33-47	VALVE		1
531 00 33-99	TANK CAP		1
531 00 44-32	CLAMP		1
531 00 44-32	CLAMP		1
531 00 44-33	GROMMET		1
531 00 95-09	SCREW		3
531 00 95-11	TANK UNIT		1
531 00 95-58	FILTER		1
531 00 95-59	HOSE		1
531 00 95-60	HOSE		1

H *compl 531 00 95-65



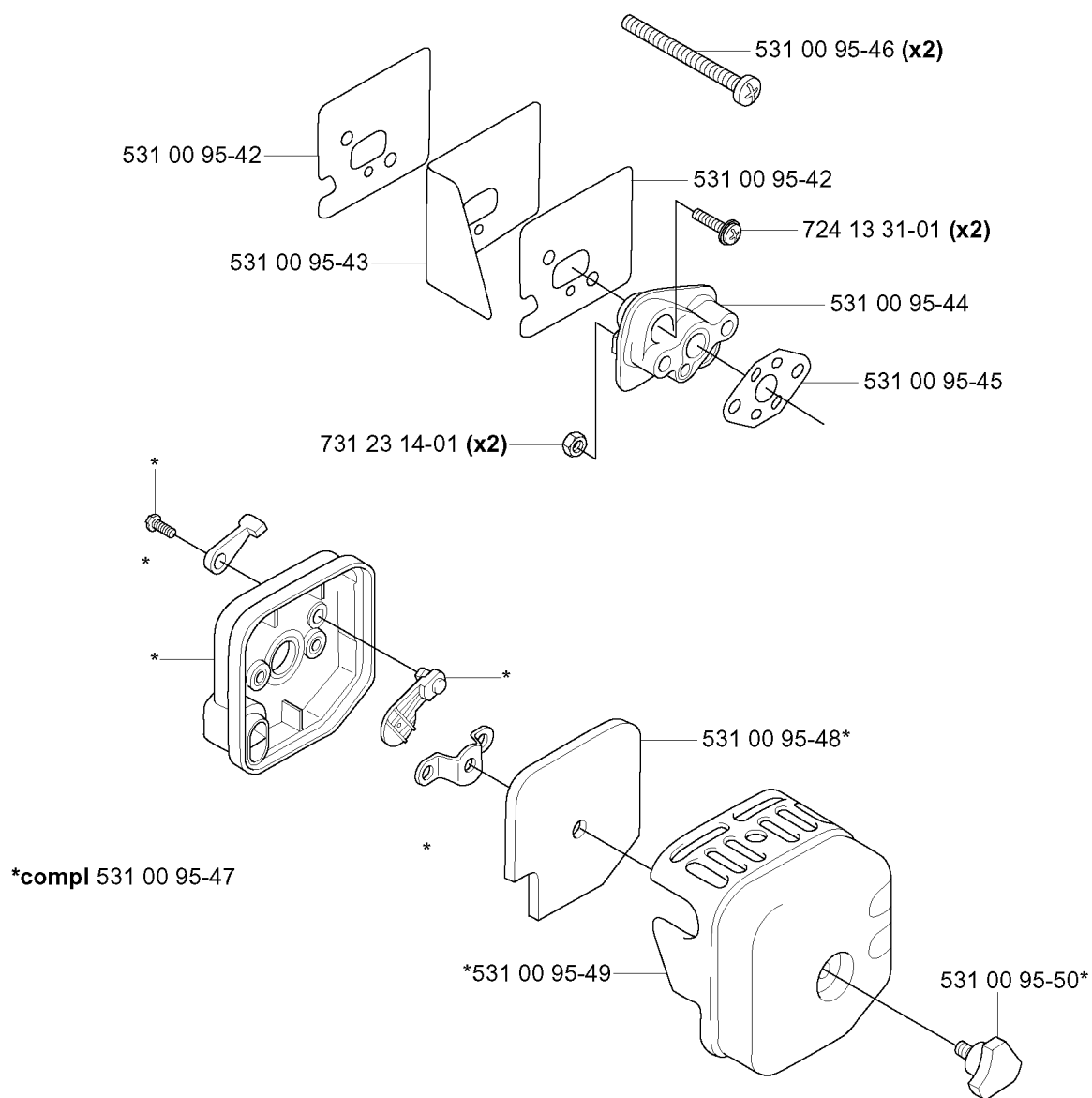
531 00 95-02

STARTER
20041800001-Current

125 BT KAWASAKI, TH026D-AC57,

Part No	Description	Remark	QTY KIT
531 00 33-58	PLATE		1
531 00 33-65	RETAINER RING		1
531 00 33-70	NUT		1
531 00 95-02	DECAL		1
531 00 95-61	PAWL		1
531 00 95-62	COVER		1
531 00 95-63	COVER		1
531 00 95-64	HANDLE		1
531 00 95-65	PAWL		1
531 00 95-66	STARTER PULLEY		1
531 00 95-67	STARTER ROPE		1
531 00 95-68	SCREW		1
531 00 95-69	WASHER		1
531 00 95-69	WASHER		1
531 00 95-70	SPRING		1
531 00 95-71	SPRING		1
724 12 91-01	SCREW CRPANM		4

J

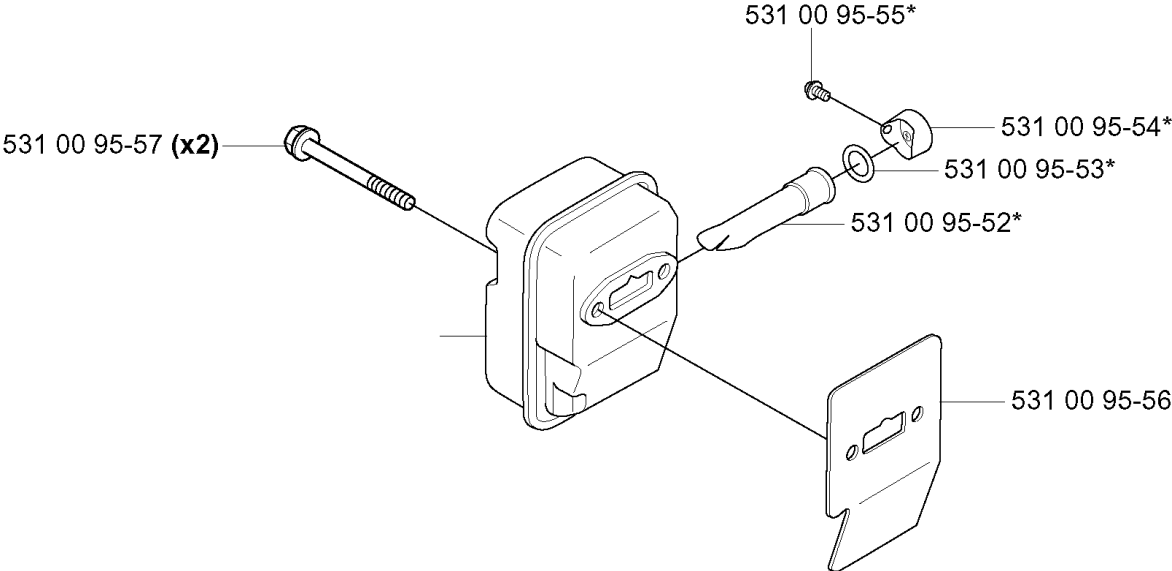


AIR FILTER
20041800001-Current

125 BT KAWASAKI, TH026D-AC57,

Part No	Description	Remark	QTY KIT
531 00 95-42	GASKET		1
531 00 95-42	GASKET		1
531 00 95-43	PLATE		1
531 00 95-44	SPACER		1
531 00 95-45	GASKET		1
531 00 95-46	SCREW		2
531 00 95-47	HOLDER		1
531 00 95-48	AIR FILTER		1
531 00 95-49	COVER		1
531 00 95-50	KNOB		1
724 13 31-01	SCREW CRPANM		2
731 23 14-01	HEXAGON NUT		2

K *compl 531 00 95-51



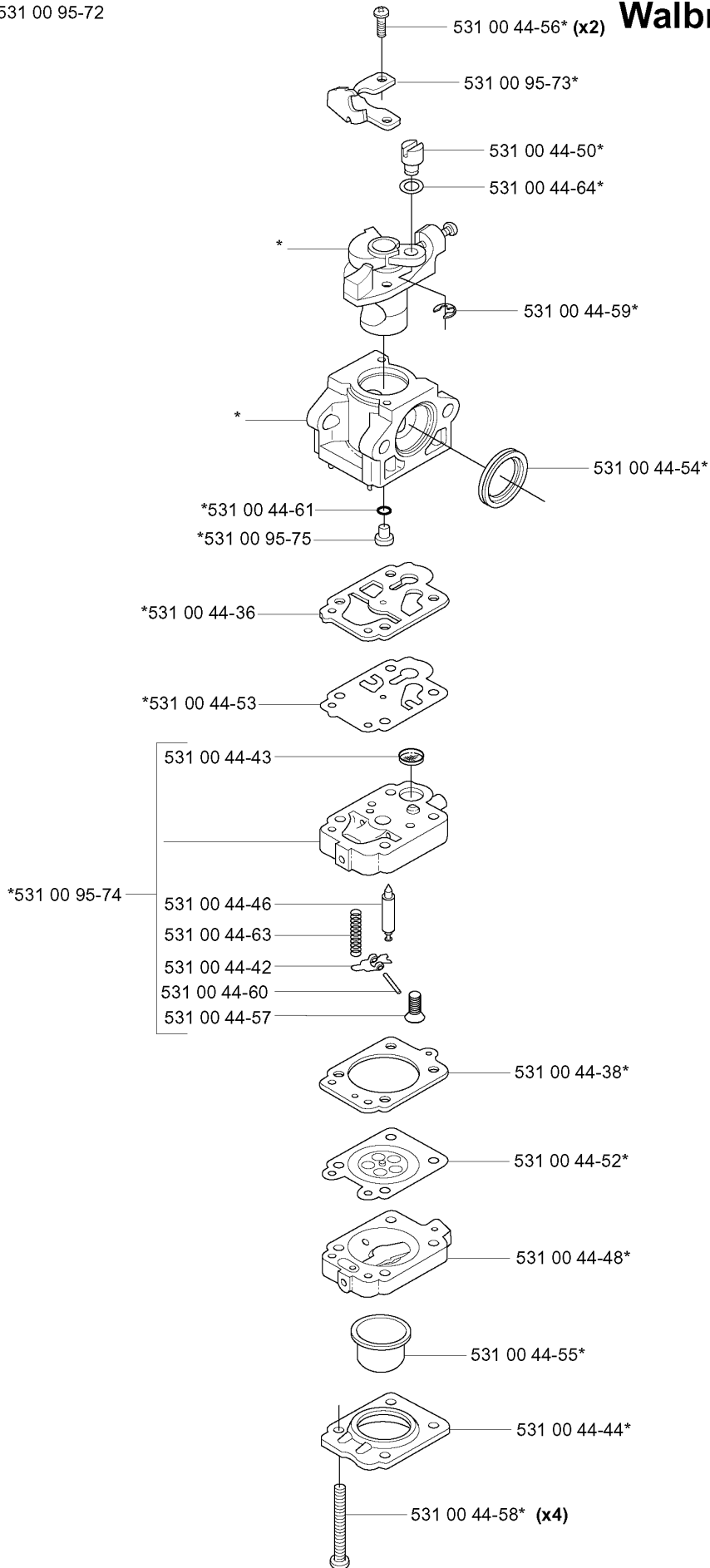
MUFFLER
20041800001-Current

125 BT KAWASAKI, TH026D-AC57,

Part No	Description	Remark	QTY KIT
531 00 95-51	MUFFLER		1
531 00 95-52	SPARK ARRESTOR		1
531 00 95-53	GASKET		1
531 00 95-54	RING		1
531 00 95-55	SCREW		1
531 00 95-56	GASKET		1
531 00 95-57	SCREW		2

L *compl 531 00 95-72

Walbro WYJ336

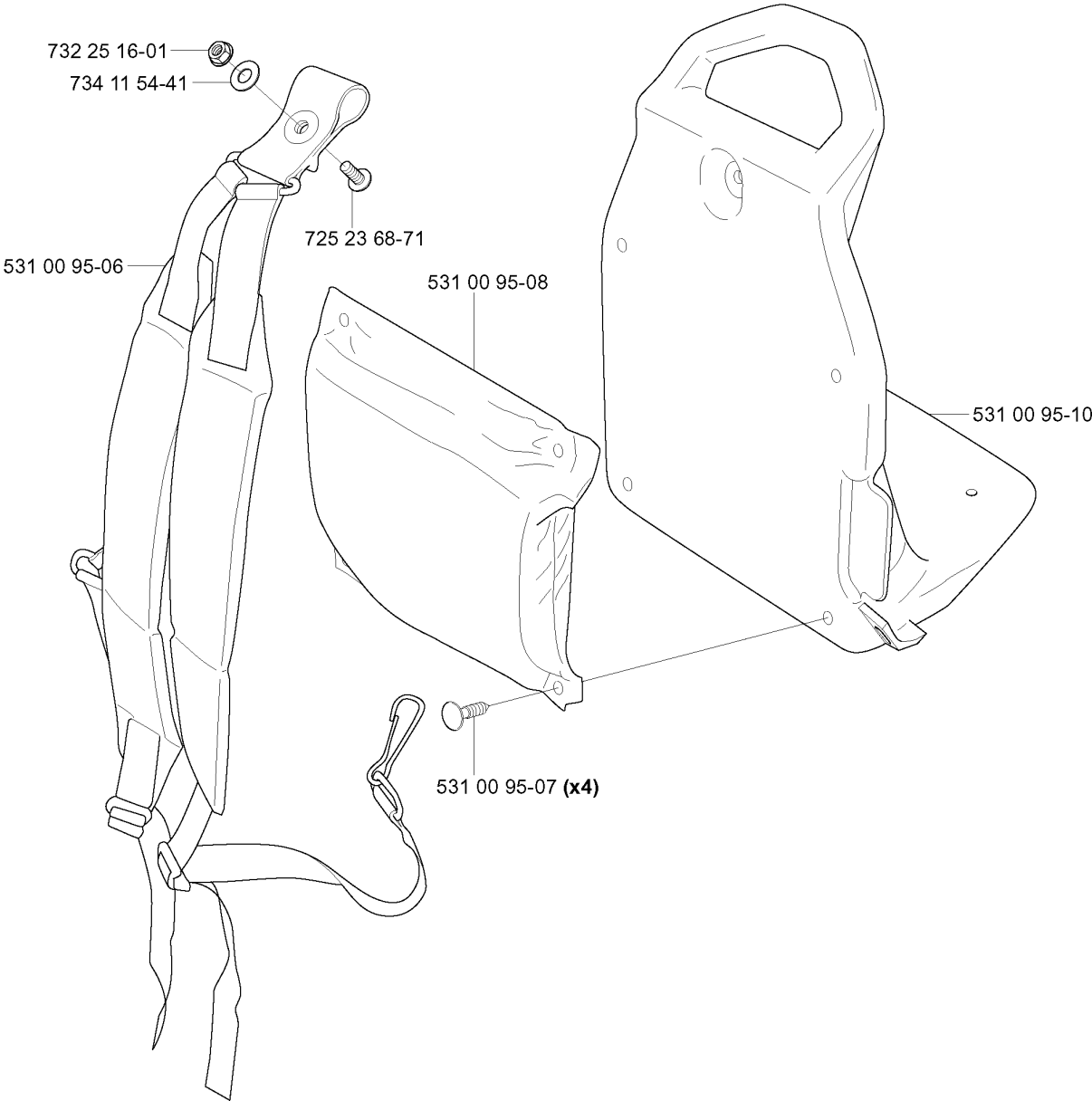


CARBURETOR DETAILS
20041800001-Current

125 BT KAWASAKI, TH026D-AC57,

Part No	Description	Remark	QTY KIT
531 00 44-36	GASKET		1
531 00 44-38	GASKET		1
531 00 44-42	LEVER		1
531 00 44-43	FILTER		1
531 00 44-44	COVER		1
531 00 44-46	VALVE		1
531 00 44-48	PLATE		1
531 00 44-50	LEVER		1
531 00 44-52	DIAPHRAGM		1
531 00 44-53	DIAPHRAGM		1
531 00 44-54	RING		1
531 00 44-55	PRIMER		1
531 00 44-56	SCREW		2
531 00 44-57	SCREW		1
531 00 44-58	SCREW		4
531 00 44-59	RING		1
531 00 44-60	PIN RETAINING SCREW		1
531 00 44-61	O-RING		1
531 00 44-63	SPRING		1
531 00 44-64	WASHER		1
531 00 95-72	CARBURETTOR		1
531 00 95-73	BRACKET		1
531 00 95-74	PLATE		1
531 00 95-75	JET		1

M



HARNESS
20041800001-Current

125 BT KAWASAKI, TH026D-AC57,

Part No	Description	Remark	QTY KIT
531 00 95-06	HARNESS		1
531 00 95-07	CLIP		4
531 00 95-08	PAD		1
531 00 95-10	FRAME		1
725 23 68-71	SCREW EHHM		1
732 25 16-01	HEXAGON LOCKING NUT		1
734 11 54-41	WASHER		1