

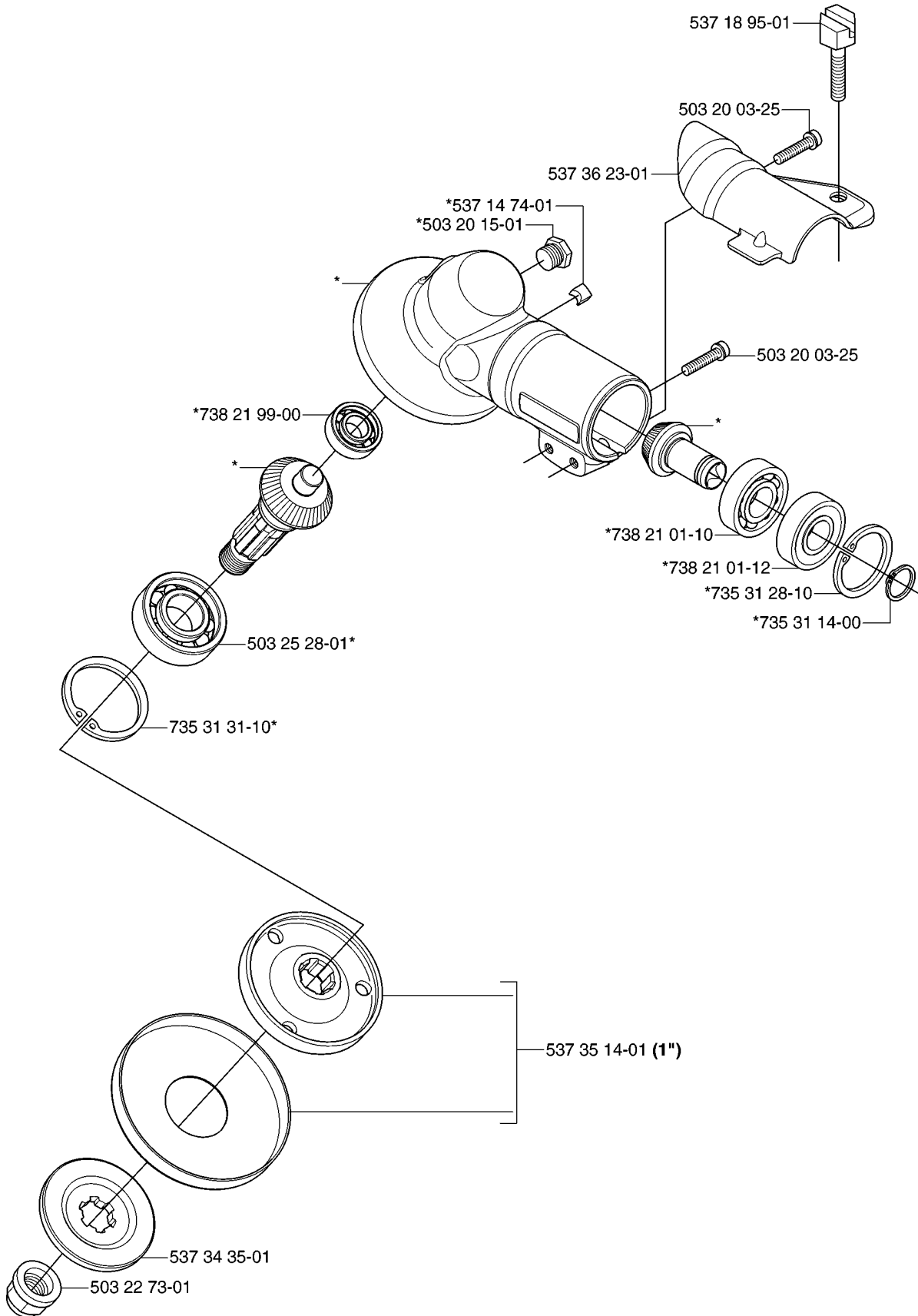


SPARE PARTS LIST

BRUSHCUTTERS/CLEARING SAWS

143 R, 20070100001-Current

A *compl 537 29 58-02

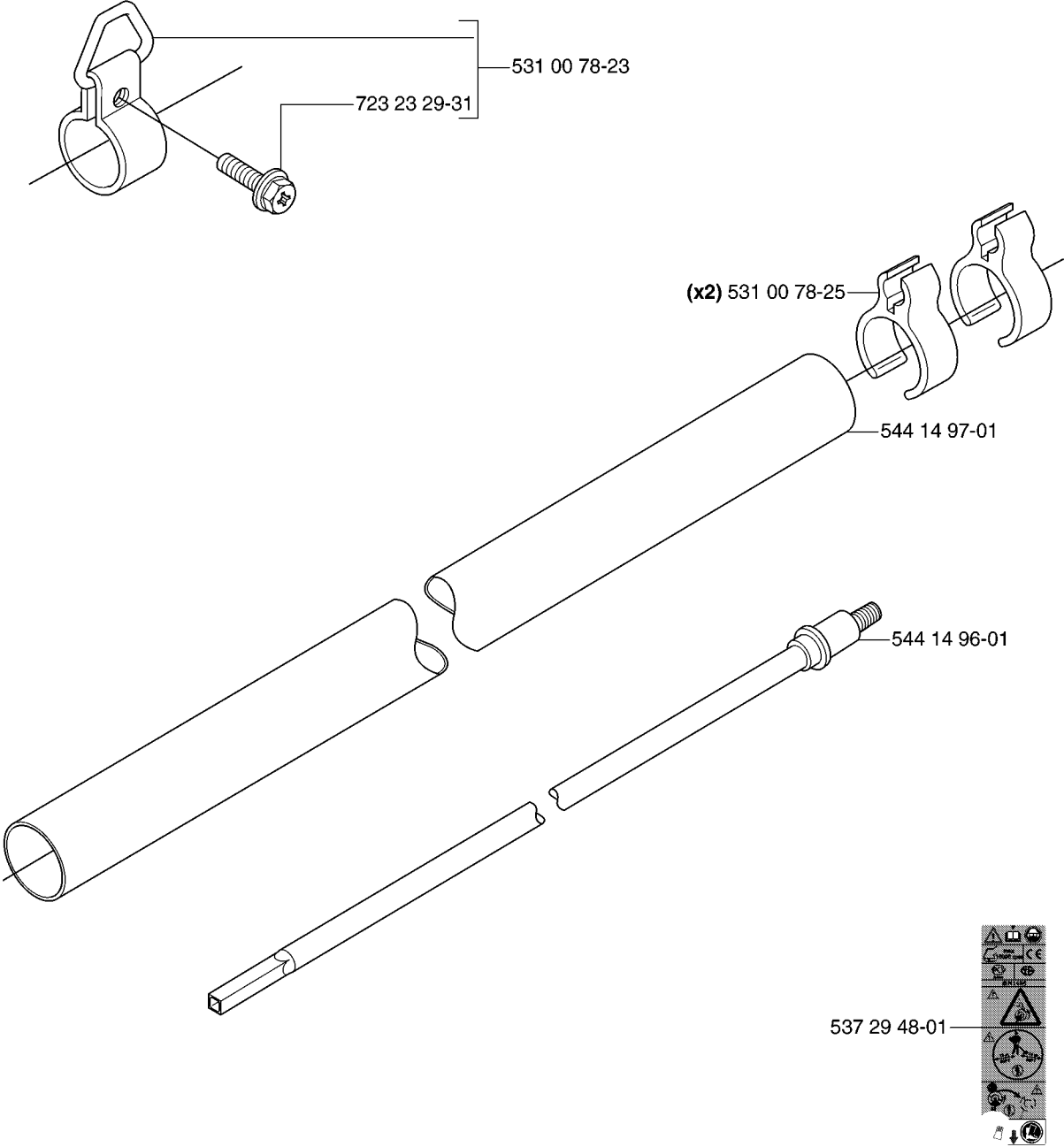


BEVEL GEAR

143 R, 20070100001-Current

Part No	Description	Remark	QTY KIT
503 20 03-25	SCREW IHSCFM		1
503 20 03-25	SCREW IHSCFM		1
503 20 15-01	SCREW		1
503 22 73-01	NUT		1
503 25 28-01	BALL BEARING		1
537 14 74-01	MAGNET		1
537 18 95-01	SCREW		1
537 29 58-02	BEVEL GEAR		1
537 34 35-01	SUPPORT FLANGE		1
537 35 14-01	DRIVER		1
537 36 23-01	BRACKET		1
735 31 14-00	CIRCLIP		1
735 31 28-10	CIRCLIP		1
735 31 31-10	CIRCLIP		1
738 21 01-10	BALL BEARING		1
738 21 01-12	BALL BEARING		1
738 21 99-00	BALL BEARING		1

B

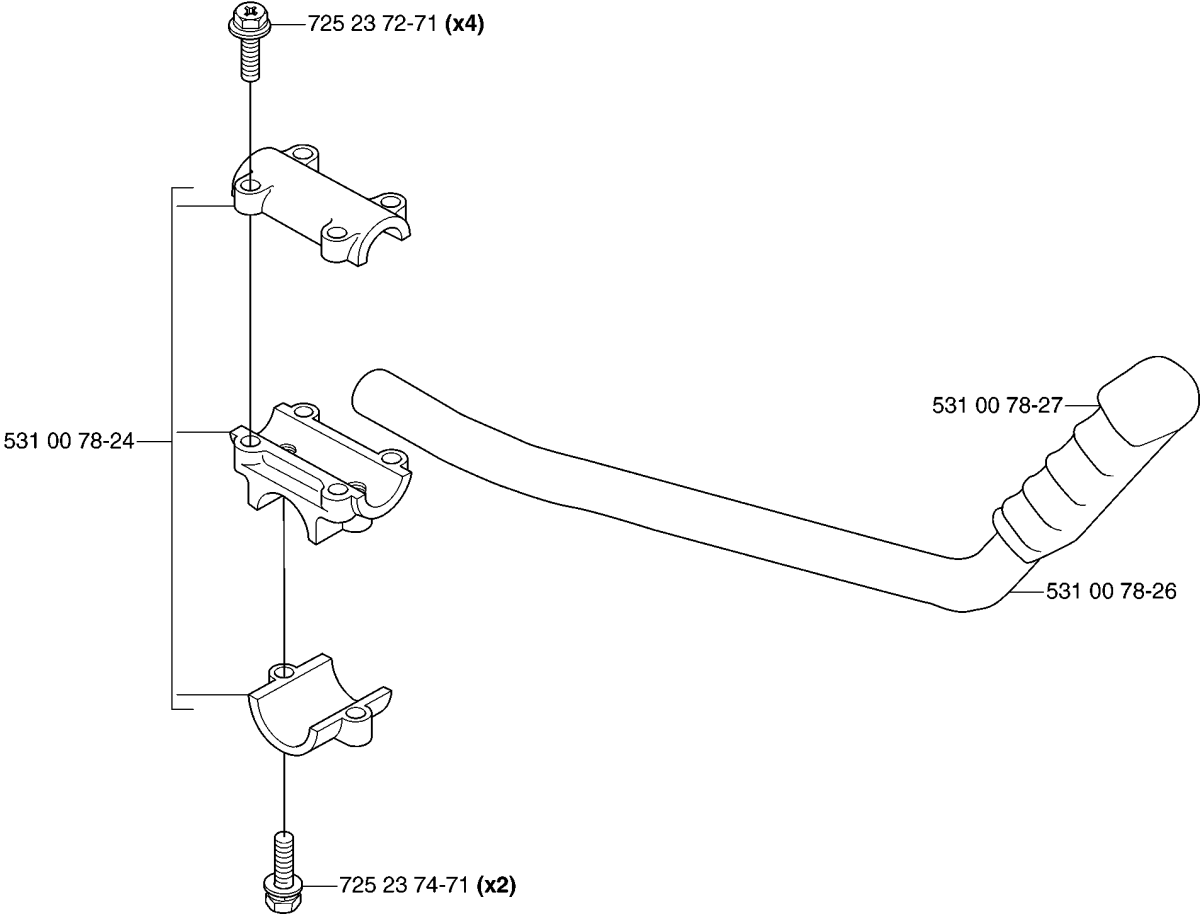
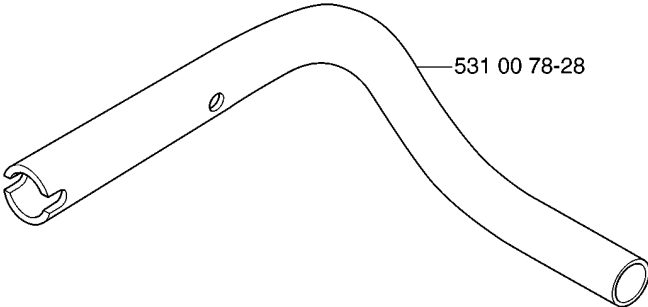


SHAFT

143 R, 20070100001-Current

Part No	Description	Remark	QTY KIT
531 00 78-23	BRACKET		1
531 00 78-25	HOLDER		2
537 29 48-01	LABEL		1
544 14 96-01	SHAFT		1
544 14 97-01	TUBE		1
723 23 29-31	SCREW SLPANM		1

C

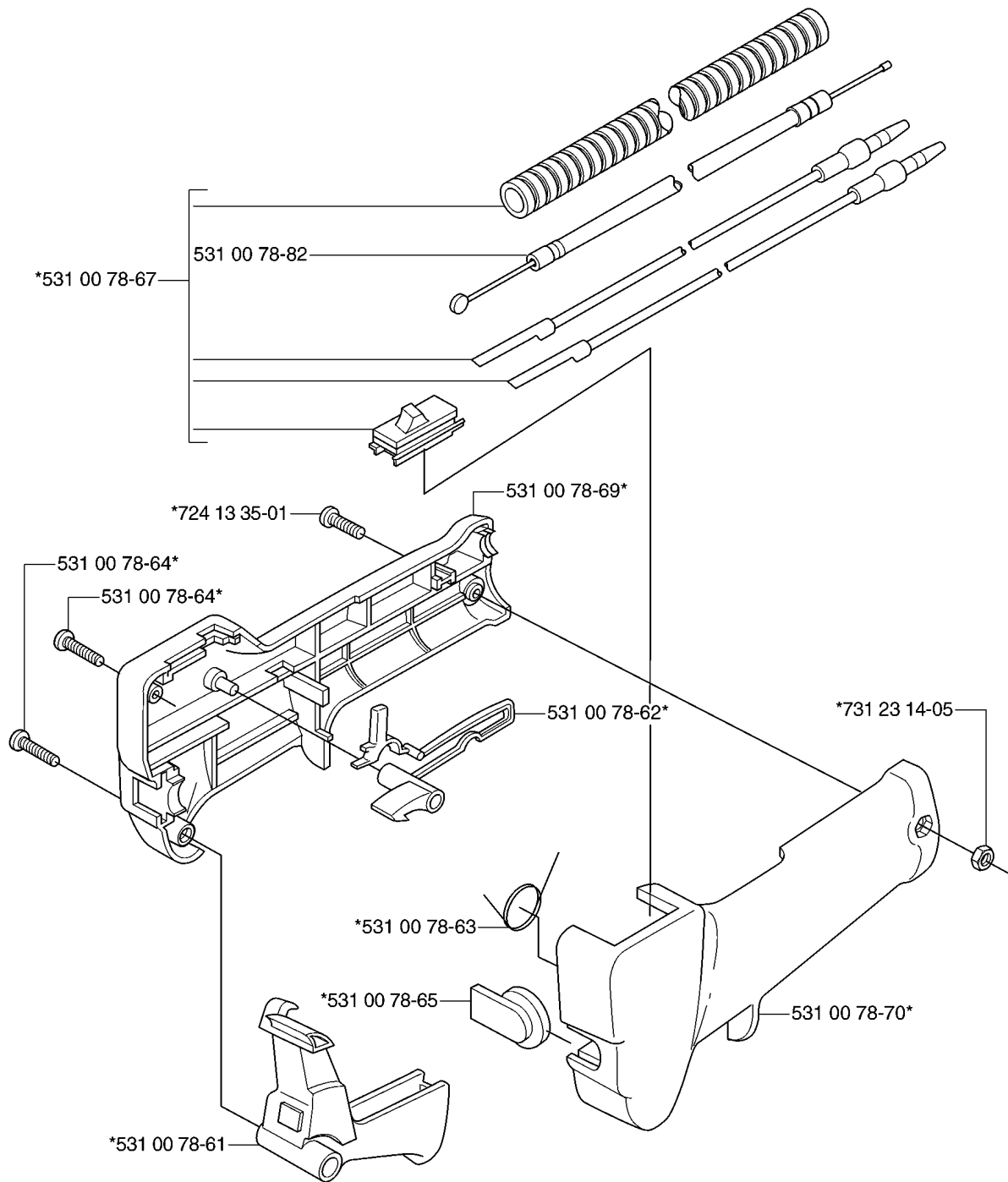


HANDLE

143 R, 20070100001-Current

Part No	Description	Remark	QTY KIT
531 00 78-24	HOLDER		1
531 00 78-26	HANDLE		1
531 00 78-27	HANDLE		1
531 00 78-28	HANDLE		1
725 23 72-71	SCREW EHHM		4
725 23 74-71	SCREW EHHM		2

D *compl 531 00 78-29

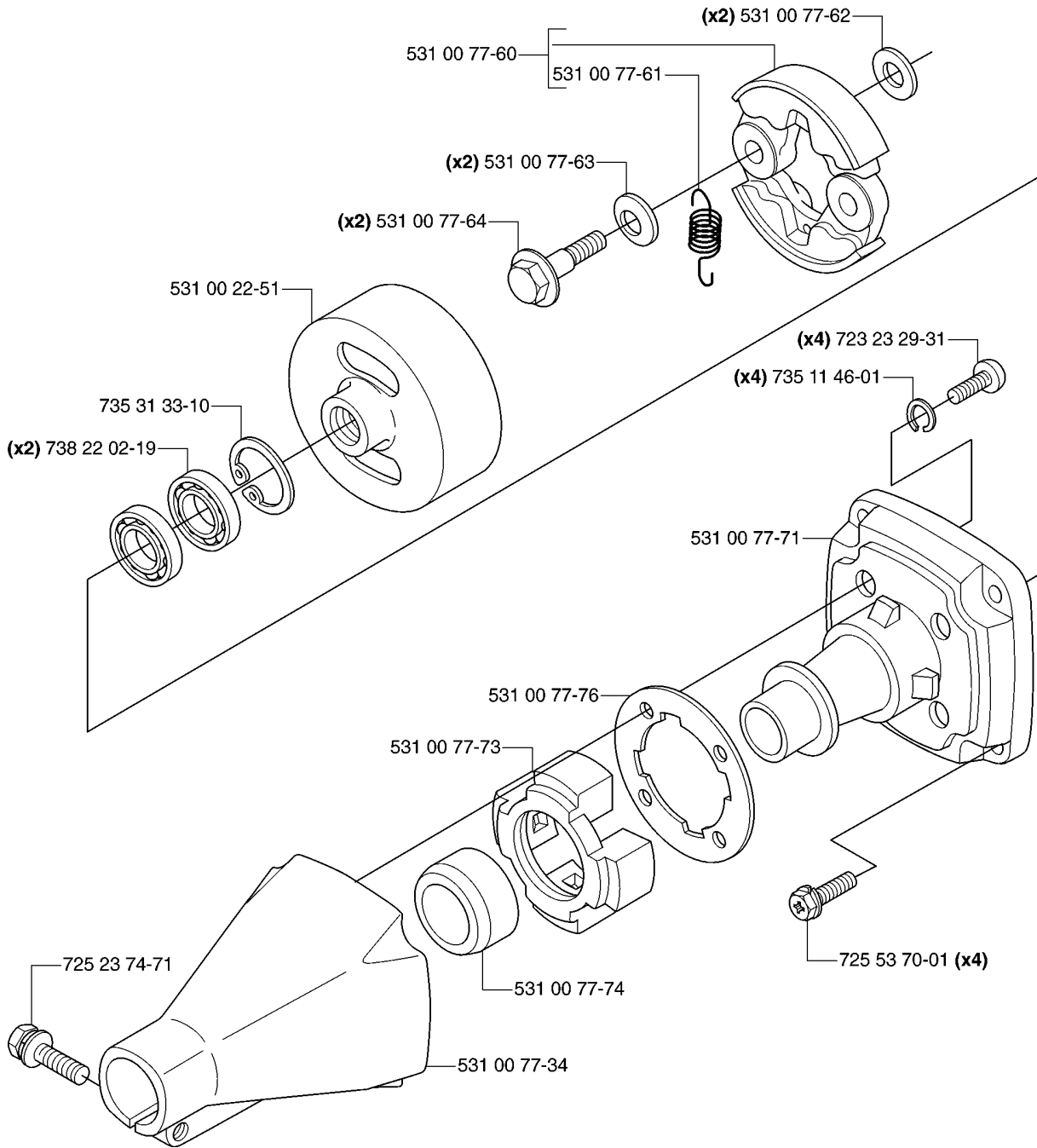


HANDLE & CONTROLS

143 R, 20070100001-Current

Part No	Description	Remark	QTY KIT
531 00 78-29	HANDLE ASSY		1
531 00 78-61	LEVER		1
531 00 78-62	THROTTLE LOCK		1
531 00 78-63	RETURN SPRING		1
531 00 78-64	SCREW		1
531 00 78-64	SCREW		1
531 00 78-65	COVER		1
531 00 78-67	CABLE ASSY		1
531 00 78-69	HANDLE		1
531 00 78-70	HANDLE		1
531 00 78-82	WIRE		1
724 13 35-01	SCREW CRPANM		1
731 23 14-05	HEXAGON NUT		1

E

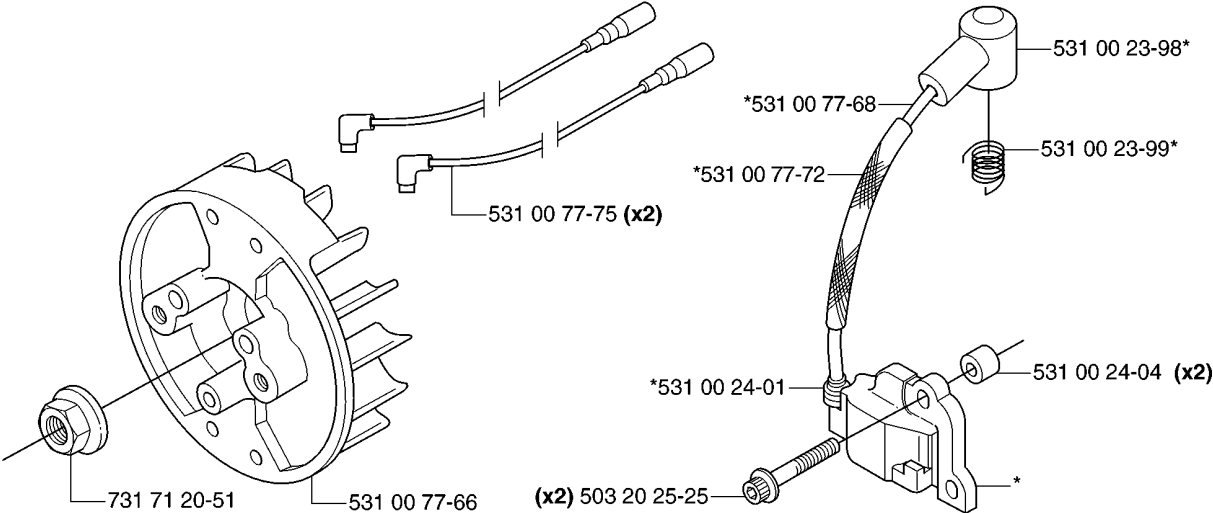


CRANKCASE & CLUTCHDRUM

143 R, 20070100001-Current

Part No	Description	Remark	QTY KIT
531 00 22-51	CLUTCH DRUM		1
531 00 77-34	CLUTCH COVER		1
531 00 77-60	CLUTCH		1
531 00 77-61	SPRING		1
531 00 77-62	WASHER		2
531 00 77-63	WASHER		2
531 00 77-64	SCREW		2
531 00 77-71	CLUTCH COVER		1
531 00 77-73	BUMPER		1
531 00 77-74	BUMPER		1
531 00 77-76	WASHER		1
723 23 29-31	SCREW SLPANM		4
725 23 74-71	SCREW EHHM		1
725 53 70-01	SCREW IHSCM		4
735 11 46-01	SPRING WASHER		4
735 31 33-10	CIRCLIP		1
738 22 02-19	BALL BEARING		2

*compl 531 00 77-67

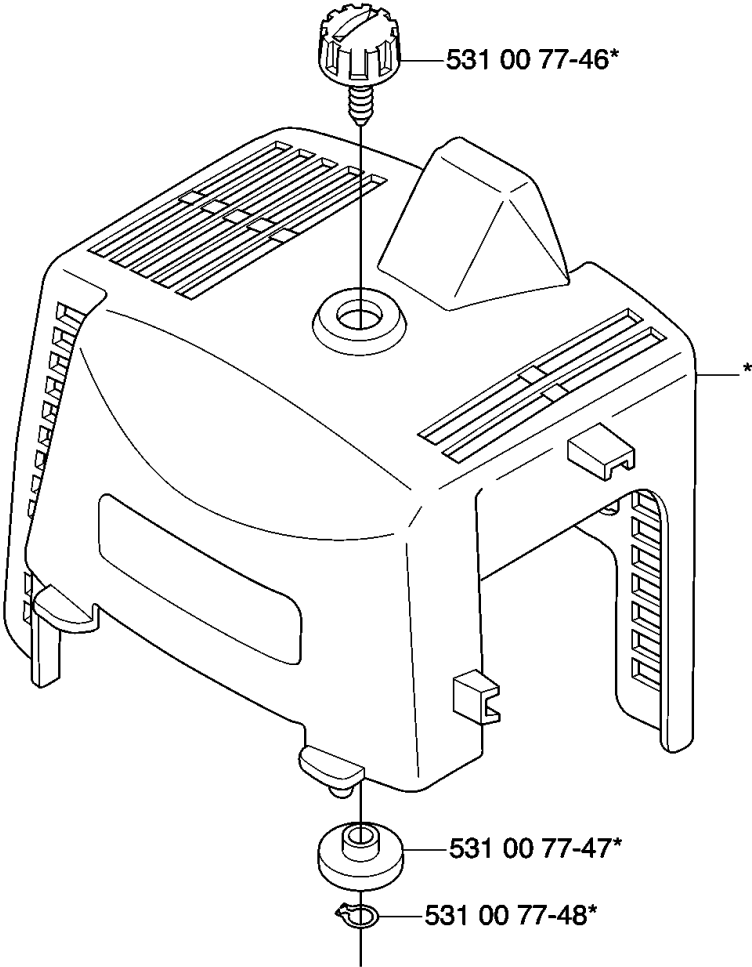



IGNITION SYSTEM

143 R, 20070100001-Current

Part No	Description	Remark	QTY KIT
503 20 25-25	SCREW IHSCM		2
531 00 23-98	SPARK PLUG CONNECTION		1
531 00 23-99	SPRING		1
531 00 24-01	SLEEVE		1
531 00 24-04	SPACER		2
531 00 77-66	FLYWHEEL		1
531 00 77-67	IGNITION MODULE		1
531 00 77-68	CABLE		1
531 00 77-72	PROTECTOR		1
531 00 77-75	CABLE		2
731 71 20-51	HEXAGON NUT FLANGE		1

G *compl 531 00 77-45



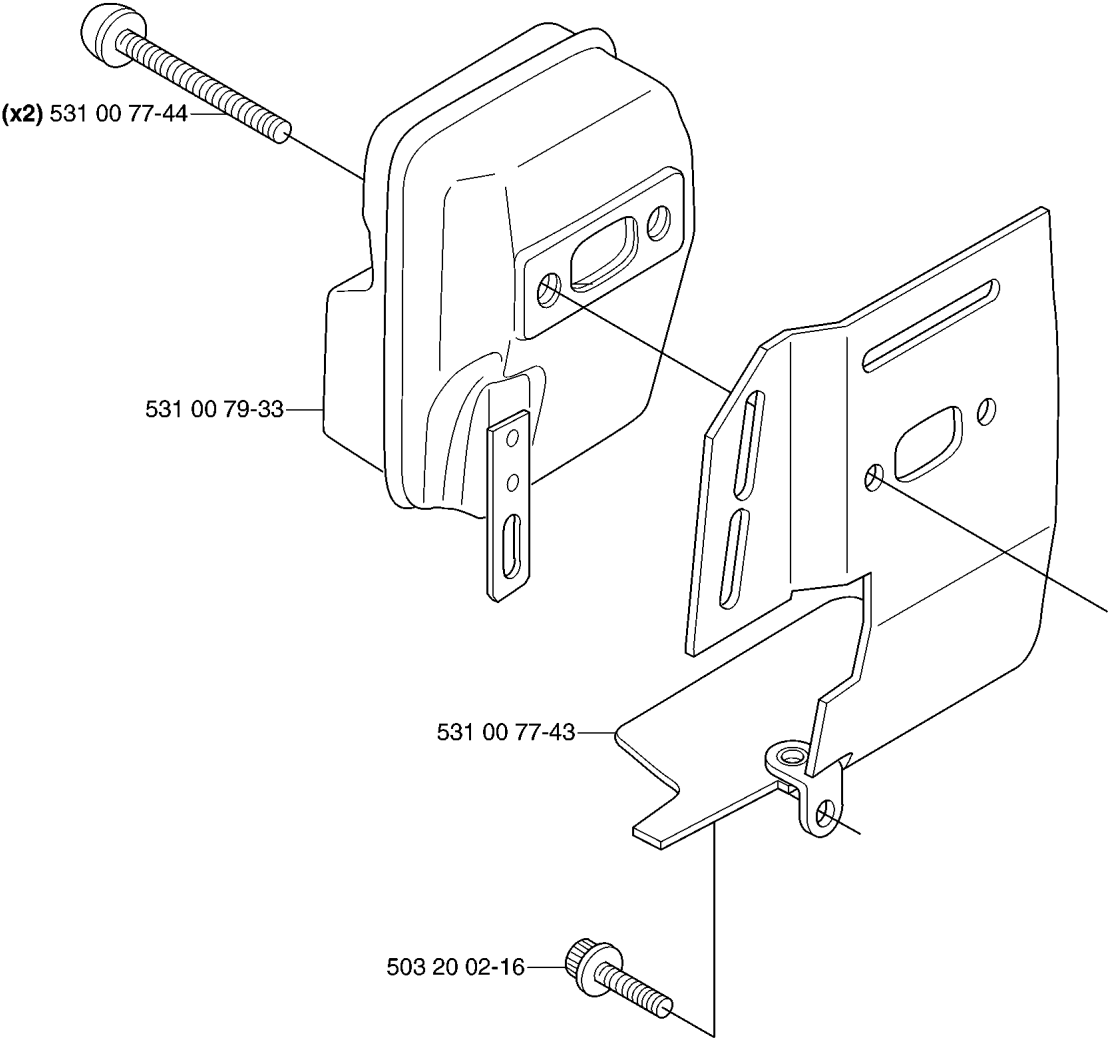
 Husqvarna 153R	— 502 08 13-01 (153R)
	— 544 14 87-01 (143R)

CYLINDER COVER

143 R, 20070100001-Current

Part No	Description	Remark	QTY KIT
502 08 13-01	DECAL		1
531 00 77-45	CYLINDER COVER		1
531 00 77-46	SCREW		1
531 00 77-47	RING		1
531 00 77-48	RETAINER RING		1
544 14 87-01	STICKER		1

H

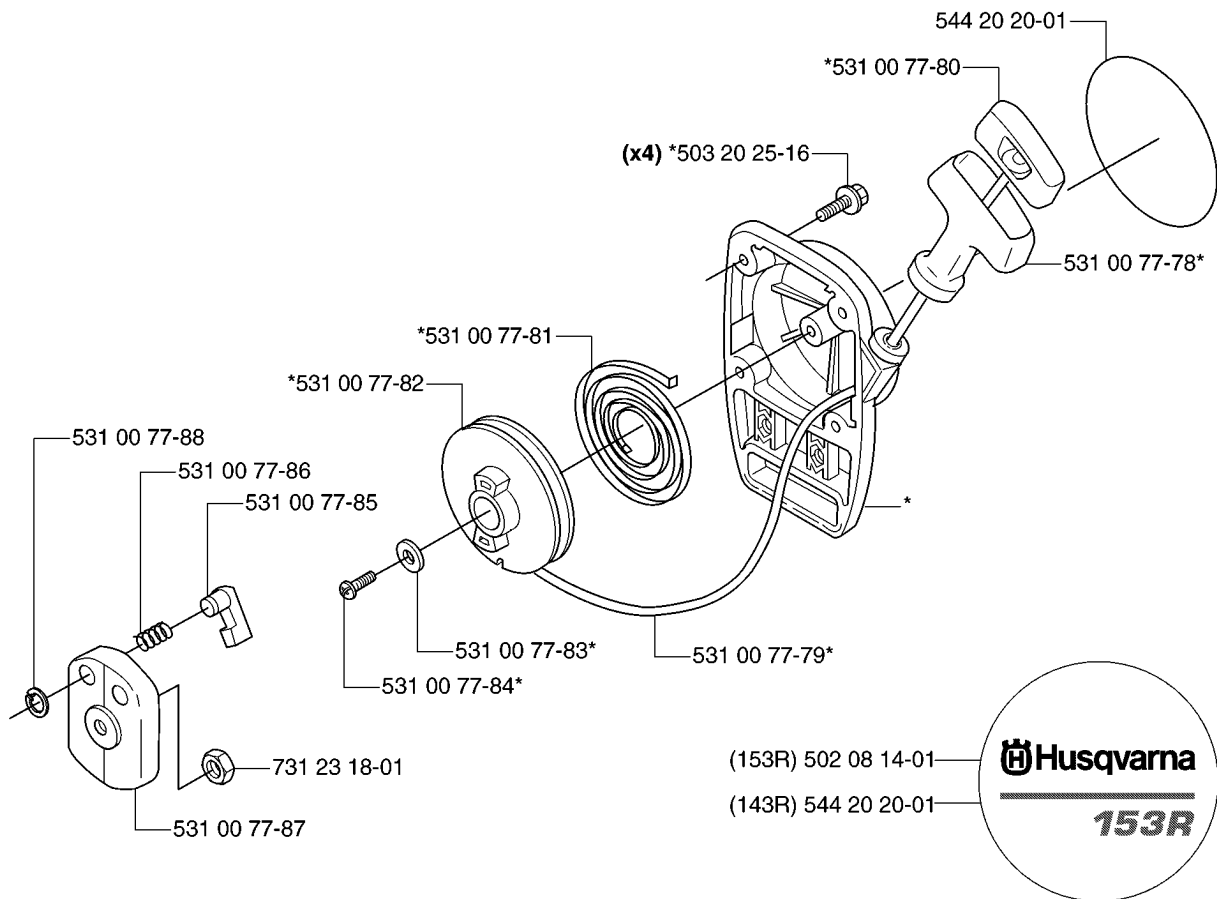


MUFFLER

143 R, 20070100001-Current

Part No	Description	Remark	QTY KIT
503 20 02-16	SCREW IHSCFM		1
531 00 77-43	DEFLECTOR		1
531 00 77-44	SCREW		2
531 00 79-33	MUFFLER		1

J *compl 531 00 77-33

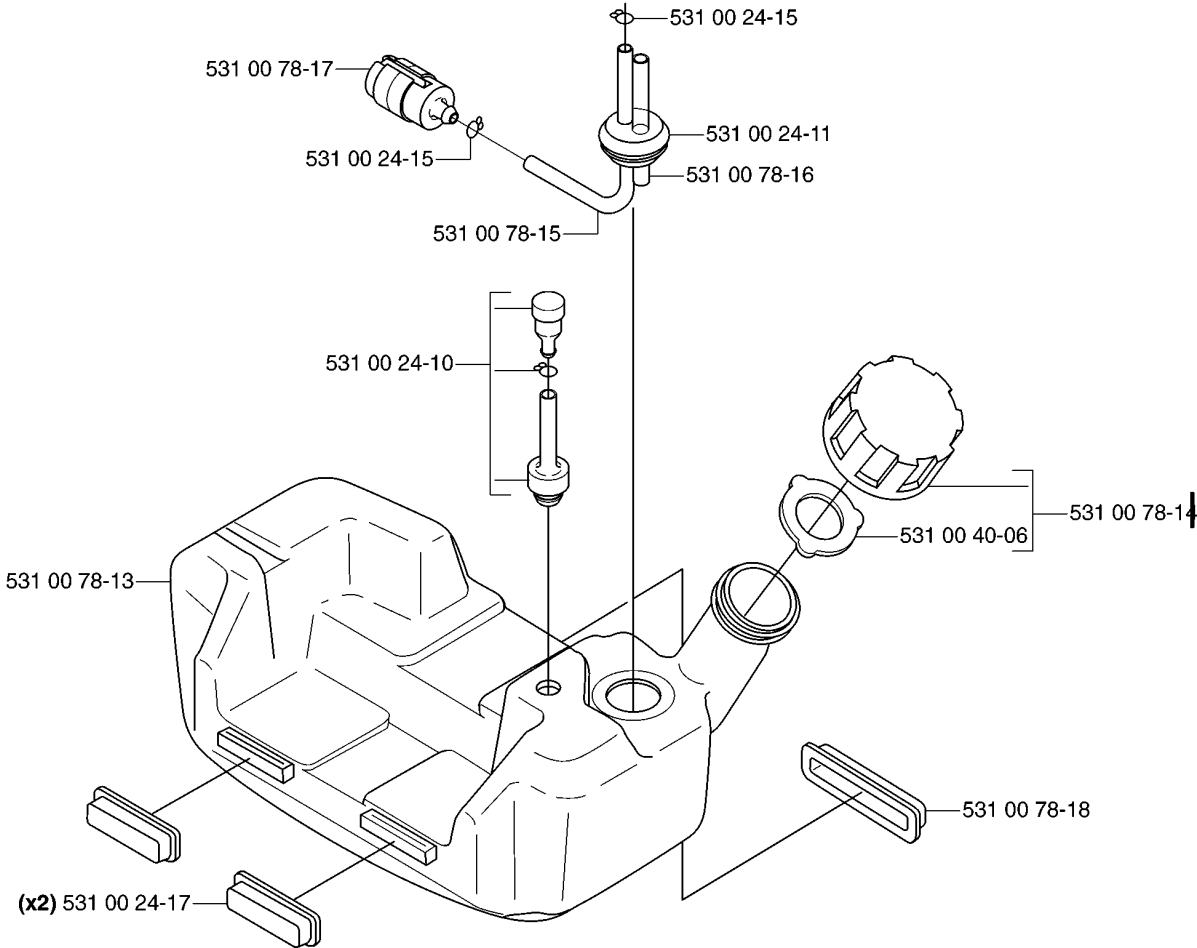


STARTER

143 R, 20070100001-Current

Part No	Description	Remark	QTY KIT
502 08 14-01	DECAL		1
503 20 25-16	SCREW IHSCM		4
531 00 77-33	STARTER ASSY		1
531 00 77-78	HANDLE		1
531 00 77-79	STARTER ROPE		1
531 00 77-80	INSERT		1
531 00 77-81	RETURN SPRING		1
531 00 77-82	STARTER PULLEY		1
531 00 77-83	WASHER		1
531 00 77-84	SCREW		1
531 00 77-85	PAWL		1
531 00 77-86	SPRING		1
531 00 77-87	PLATE		1
531 00 77-88	RETAINER RING		1
544 20 20-01	DECAL		1
544 20 20-01	DECAL		1
731 23 18-01	HEXAGON NUT		1

K

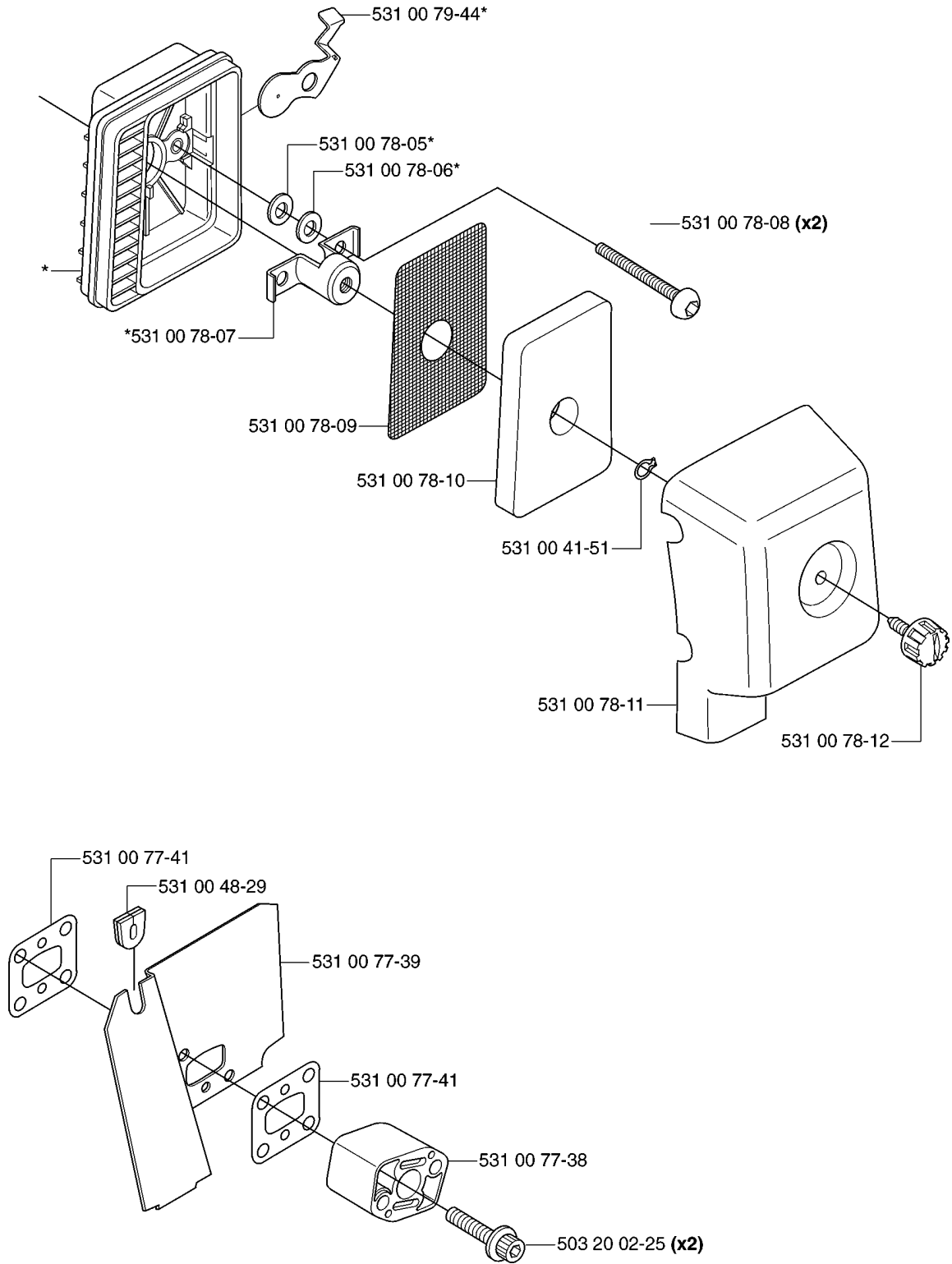


FUEL TANK

143 R, 20070100001-Current

Part No	Description	Remark	QTY KIT
531 00 24-10	VALVE		1
531 00 24-11	SLEEVE		1
531 00 24-15	CLIP		1
531 00 24-15	CLIP		1
531 00 24-17	PAD		2
531 00 40-06	GASKET		1
531 00 78-13	TANK UNIT		1
531 00 78-14	TANK CAP		1
531 00 78-15	HOSE		1
531 00 78-16	PIPE		1
531 00 78-17	FILTER		1
531 00 78-18	SLEEVE		1

L *compl 531 00 78-03

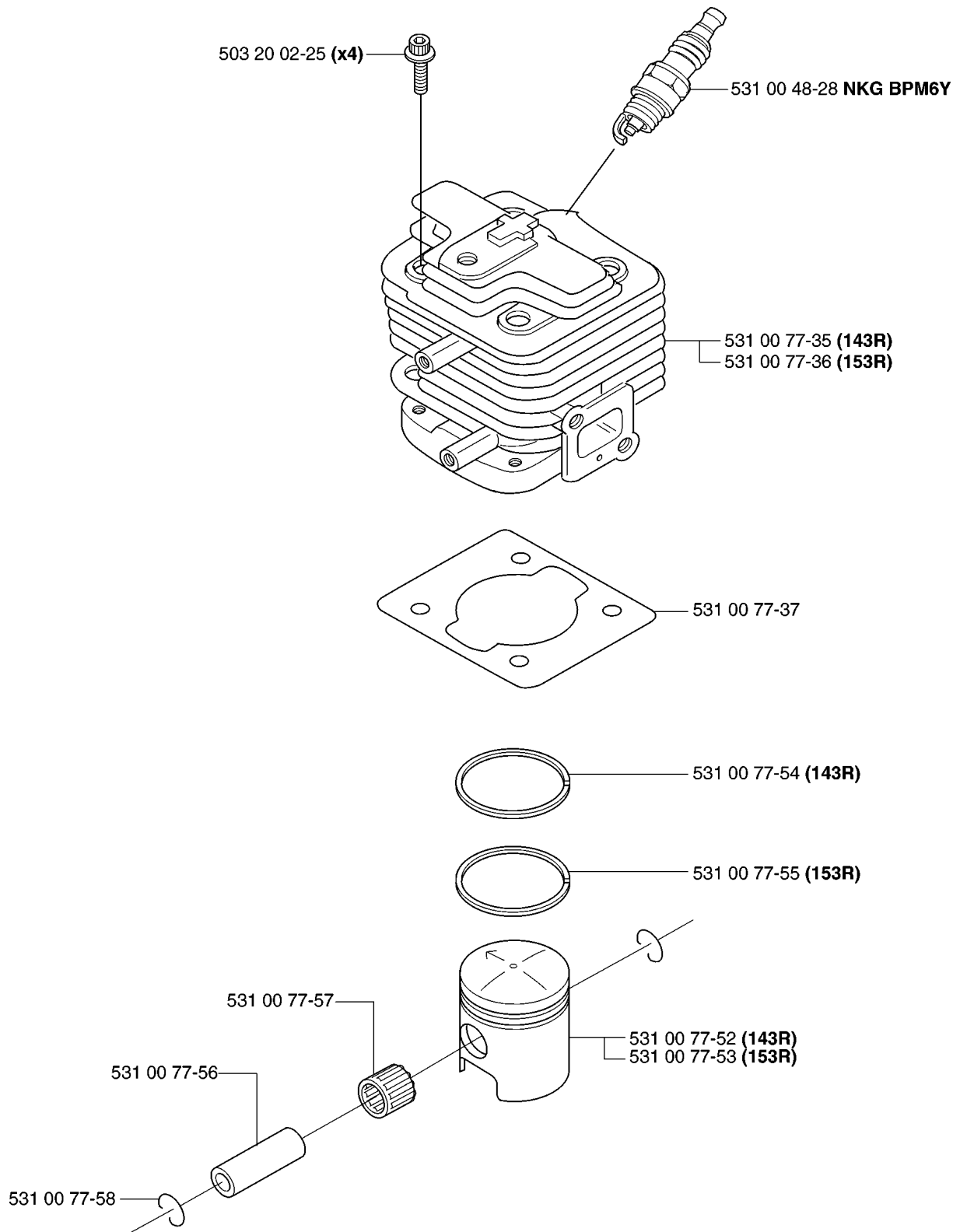


AIR FILTER

143 R, 20070100001-Current

Part No	Description	Remark	QTY KIT
503 20 02-25	SCREW IHSCFM		2
531 00 41-51	RETAINER RING		1
531 00 48-29	ATTACHMENT		1
531 00 77-38	SPACER		1
531 00 77-39	PROTECTOR		1
531 00 77-41	GASKET		1
531 00 77-41	GASKET		1
531 00 78-03	HOUSING		1
531 00 78-05	WASHER		1
531 00 78-06	RING		1
531 00 78-07	BRACKET		1
531 00 78-08	SCREW		2
531 00 78-09	SCREEN		1
531 00 78-10	AIR FILTER		1
531 00 78-11	COVER		1
531 00 78-12	SCREW		1
531 00 79-44	CHOKE CONTROL		1

M

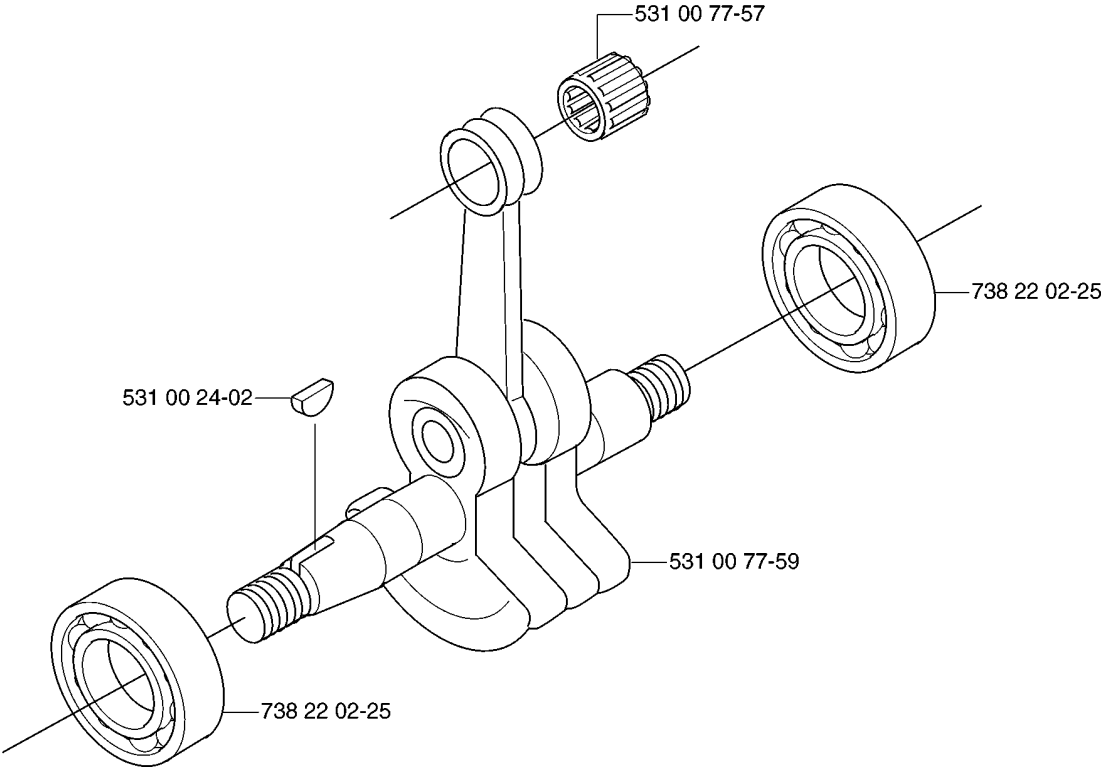


CYLINDER PISTON

143 R, 20070100001-Current

Part No	Description	Remark	QTY KIT
503 20 02-25	SCREW IHSCFM		4
531 00 48-28	SPARK PLUG		1
531 00 77-35	CYLINDER		1
531 00 77-36	CYLINDER		1
531 00 77-37	GASKET		1
531 00 77-52	PISTON		1
531 00 77-53	PISTON		1
531 00 77-54	PISTON RING		1
531 00 77-55	PISTON RING		1
531 00 77-56	PISTON BOLT		1
531 00 77-57	NEEDLE BEARING		1
531 00 77-58	RETAINER RING		1

N

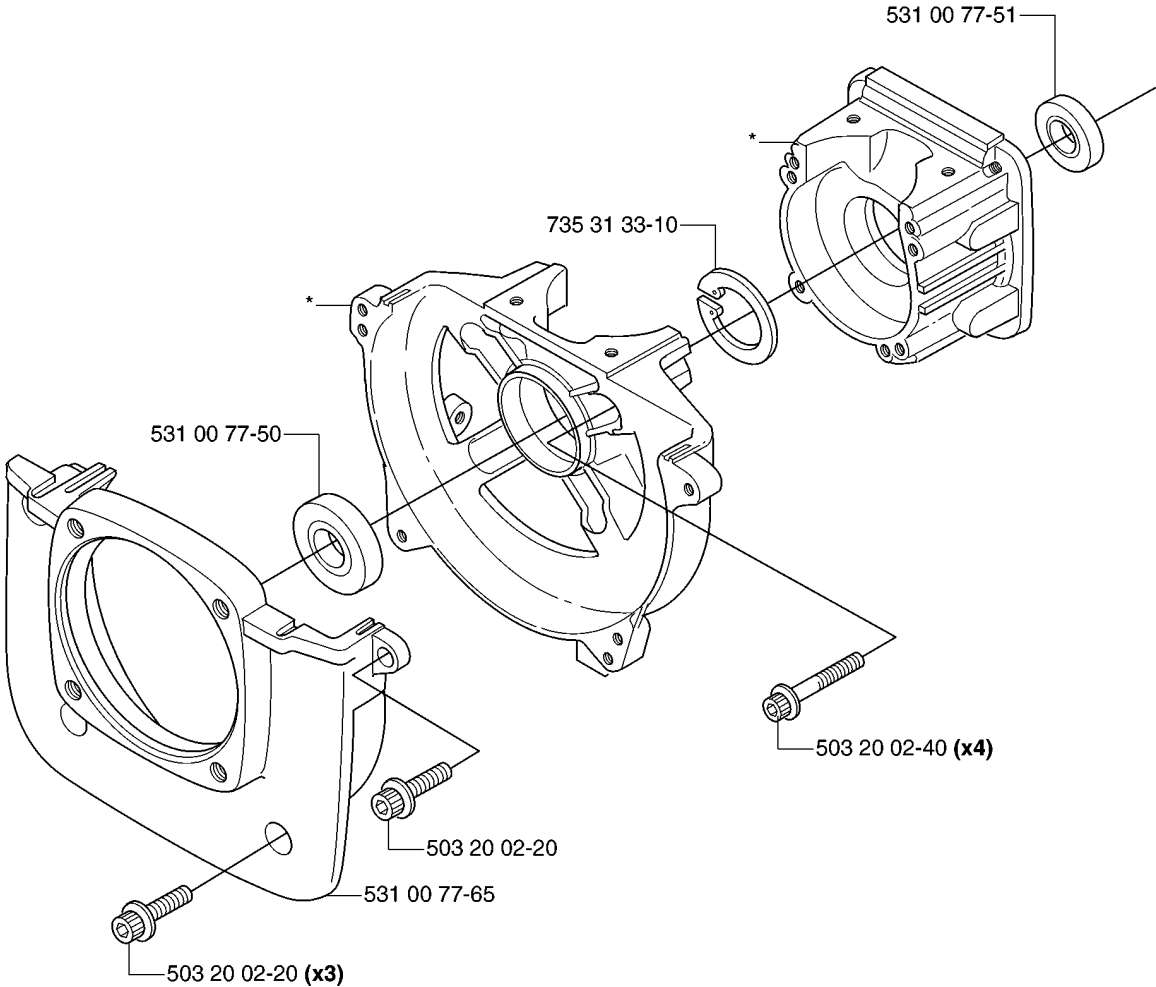


CRANKSHAFT

143 R, 20070100001-Current

Part No	Description	Remark	QTY KIT
531 00 24-02	KEY		1
531 00 77-57	NEEDLE BEARING		1
531 00 77-59	CRANKSHAFT		1
738 22 02-25	BALL BEARING		1
738 22 02-25	BALL BEARING		1

P *compl 531 00 77-49



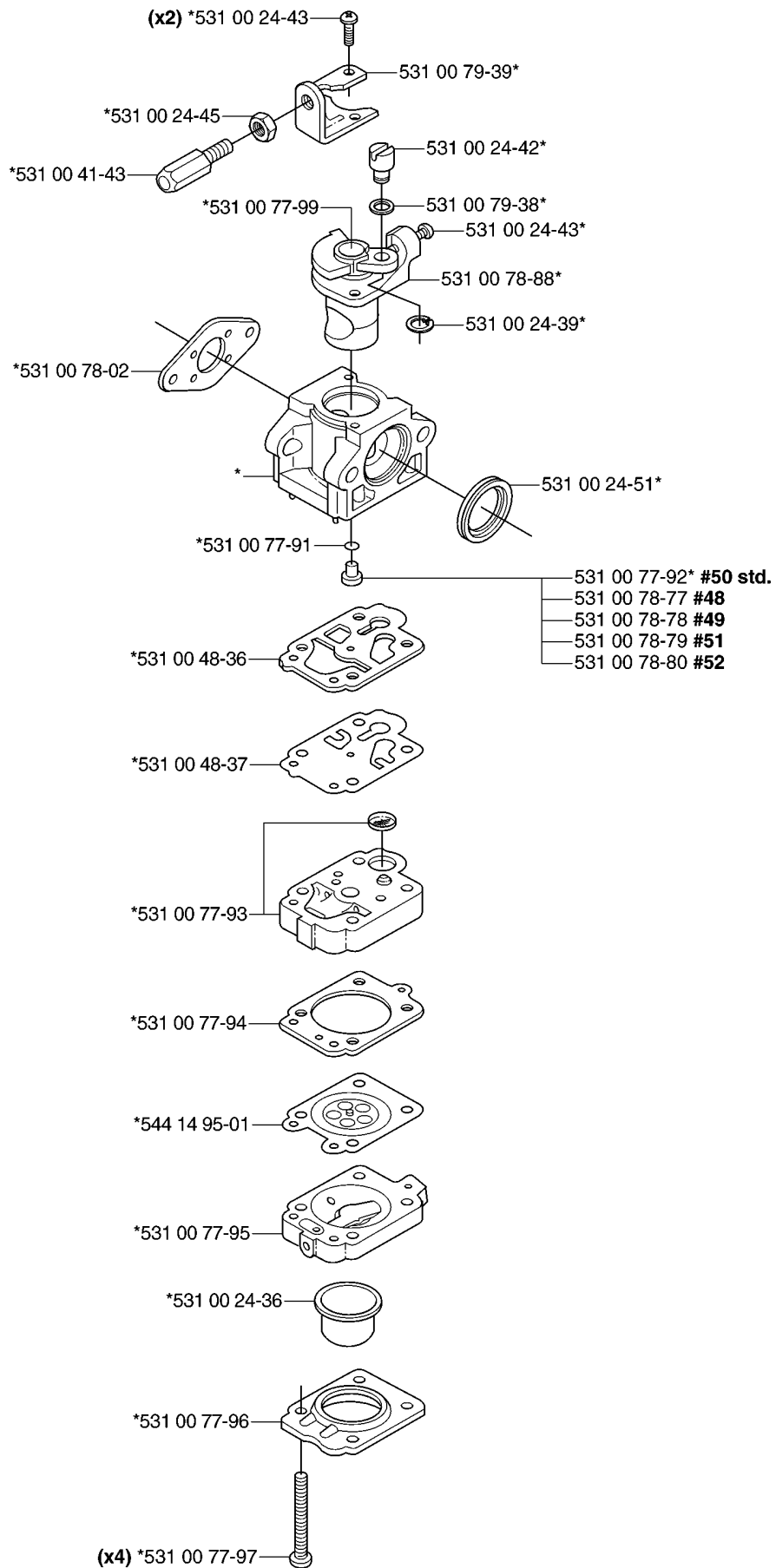
CRANKCASE

143 R, 20070100001-Current

Part No	Description	Remark	QTY KIT
503 20 02-20	SCREW IHSCFM		1
503 20 02-20	SCREW IHSCFM		3
503 20 02-40	SCREW IHSCFM		4
531 00 77-49	CRANKCASE		1
531 00 77-50	SEALING RING		1
531 00 77-51	SEALING RING		1
531 00 77-65	HOUSING		1
735 31 33-10	CIRCLIP		1

Q *compl 544 14 89-01

Walbro WYJ 383

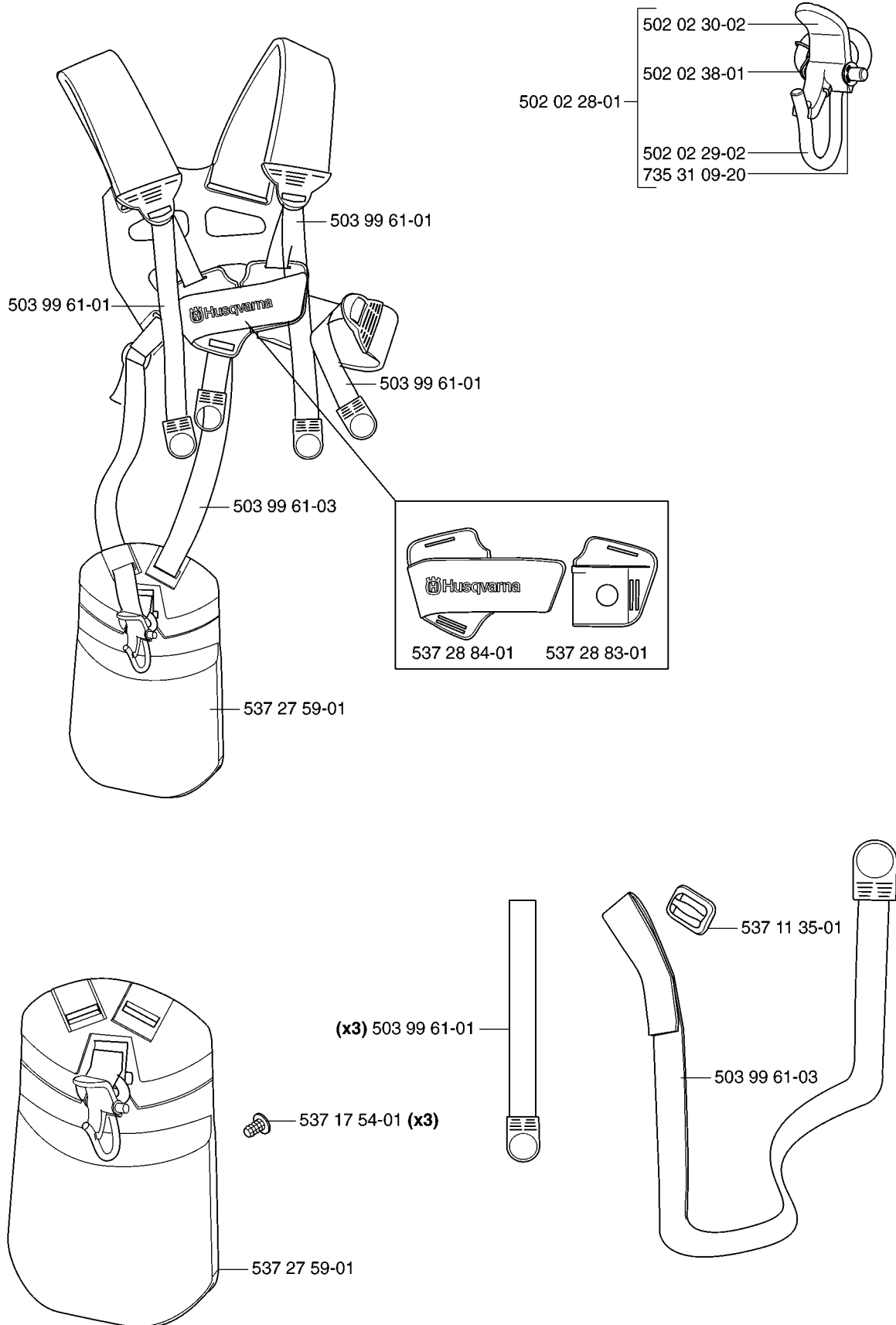


CARBURETOR DETAILS

143 R, 20070100001-Current

Part No	Description	Remark	QTY KIT
531 00 24-36	BULB		1
531 00 24-39	CIRCLIP		1
531 00 24-42	CONNECTION		1
531 00 24-43	SCREW		2
531 00 24-43	SCREW		1
531 00 24-45	NUT		1
531 00 24-51	GASKET		1
531 00 41-43	SCREW		1
531 00 48-36	MOULDING		1
531 00 48-37	SPÄNNHJUL		1
531 00 77-91	RING		1
531 00 77-92	JET		1
531 00 77-93	HOUSING		1
531 00 77-94	GASKET		1
531 00 77-95	HOUSING		1
531 00 77-96	PLATE		1
531 00 77-97	SCREW		4
531 00 77-99	PLUG		1
531 00 78-02	GASKET		1
531 00 78-77	JET		1
531 00 78-78	JET		1
531 00 78-79	JET		1
531 00 78-80	JET		1
531 00 78-88	THROTTLE		1
531 00 79-38	WASHER		1
531 00 79-39	BRACKET		1
544 14 89-01	CARBURETTOR		1
544 14 95-01	DIAPHRAGM		1

R Duo Balance
compl 537 27 57-02
compl 537 27 57-04 US



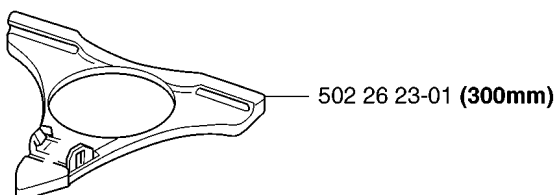
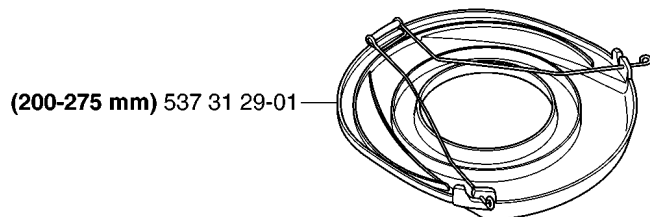
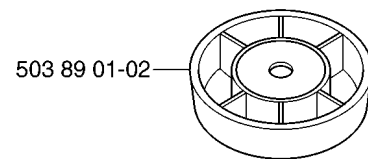
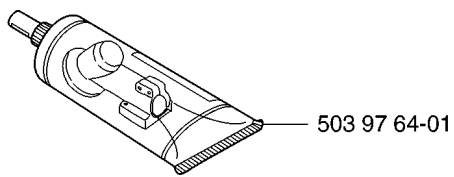
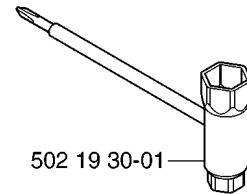
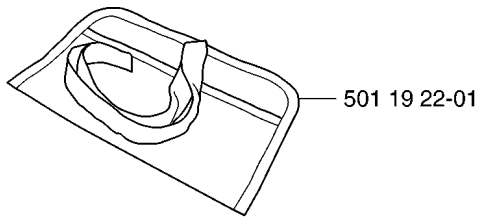
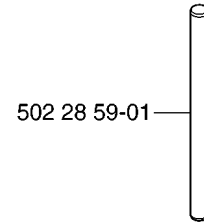
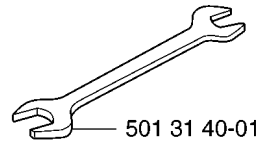
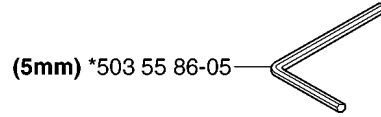
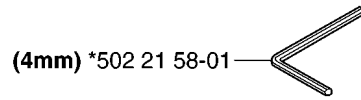
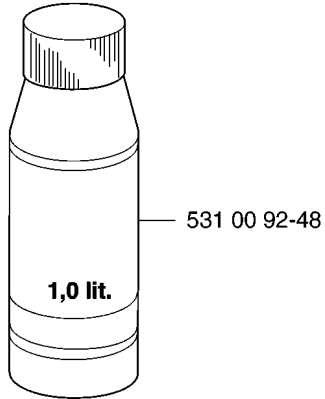
HARNES

143 R, 2007010001-Current

Part No	Description	Remark	QTY KIT
502 02 28-01	HOOK		1
502 02 29-02	HOOK		1
502 02 30-02	LOCK		1
502 02 38-01	SPRING		1
503 99 61-01	BAND		3
503 99 61-01	BAND		1
503 99 61-01	BAND		1
503 99 61-01	BAND		1
503 99 61-03	BAND		1
503 99 61-03	BAND		1
537 11 35-01	RETAINER		1
537 17 54-01	HIP PAD		3
537 27 57-02	HARNES		1
537 27 57-04	HARNES		1
537 27 59-01	HIP PAD		1
537 27 59-01	HIP PAD		1
537 28 83-01	BUCKLE		1
537 28 84-01	BUCKLE		1
735 31 09-20	E-CLIP		1

S Accessories
 Zubehöre
 Accessoires
 Acessorios
 Tillbehör

Olja Luftfilter
 Oil Airfilter
 Öl Luftfilter
 Aceite Filtro Air
 Huile Filtera aire

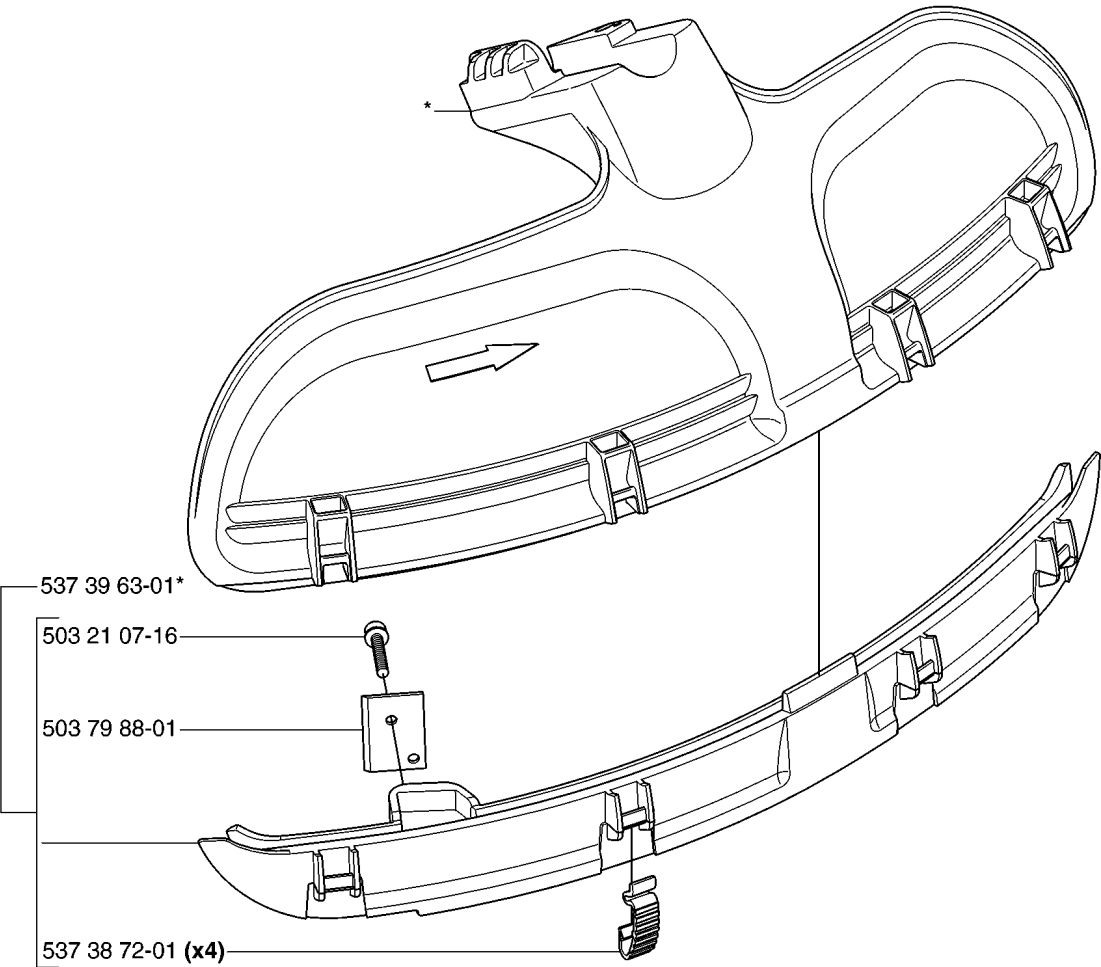


ACCESSORIES

143 R, 20070100001-Current

Part No	Description	Remark	QTY KIT
501 19 22-01	TOOL		1
501 31 40-01	SPANNER OPEN-ENDED		1
502 19 30-01	COMBI TOOL		1
502 21 58-01	WRENCH		1
502 26 23-01	TRIMMER GUARD ASSY		1
502 28 59-01	STOP		1
503 55 86-05	SPANNER		1
503 89 01-02	SUPPORT CUP		1
503 97 64-01	GREASE		1
531 00 92-48	FILTER OIL		1
537 31 29-01	TRANSPORT GUARD		1

T *compl 537 33 16-01



GUARDS

143 R, 20070100001-Current

Part No	Description	Remark	QTY KIT
503 21 07-16	SCREW IH SCT		1
503 79 88-01	BLADE		1
537 38 16-01	PISTON		1
537 38 72-01	SNAP LOCKING		4
537 39 63-01	SPLASH GUARD		1