

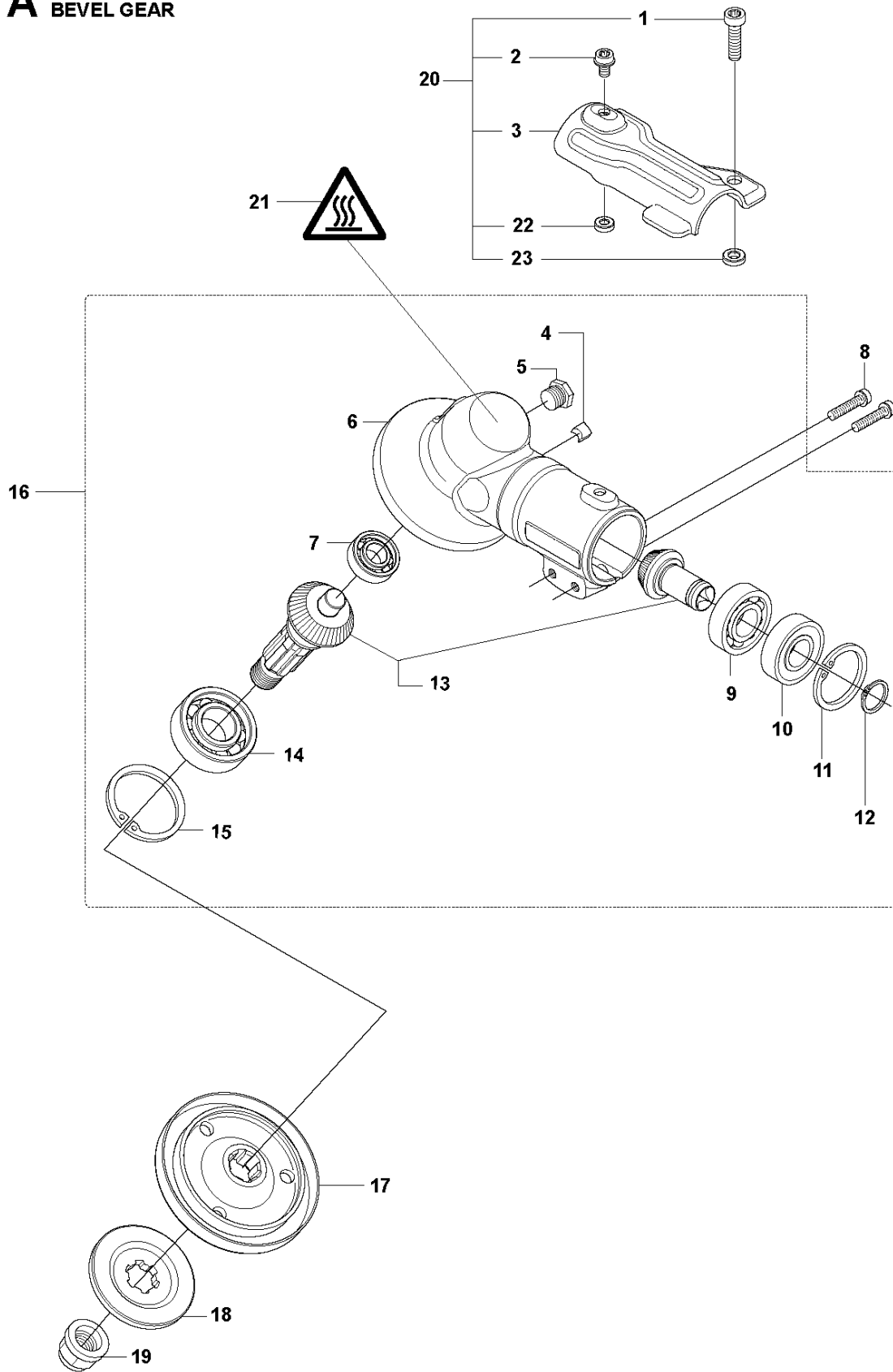


SPARE PARTS LIST

BRUSHCUTTERS/CLEARING SAWS

535 iFR

A 535iFR
BEVEL GEAR

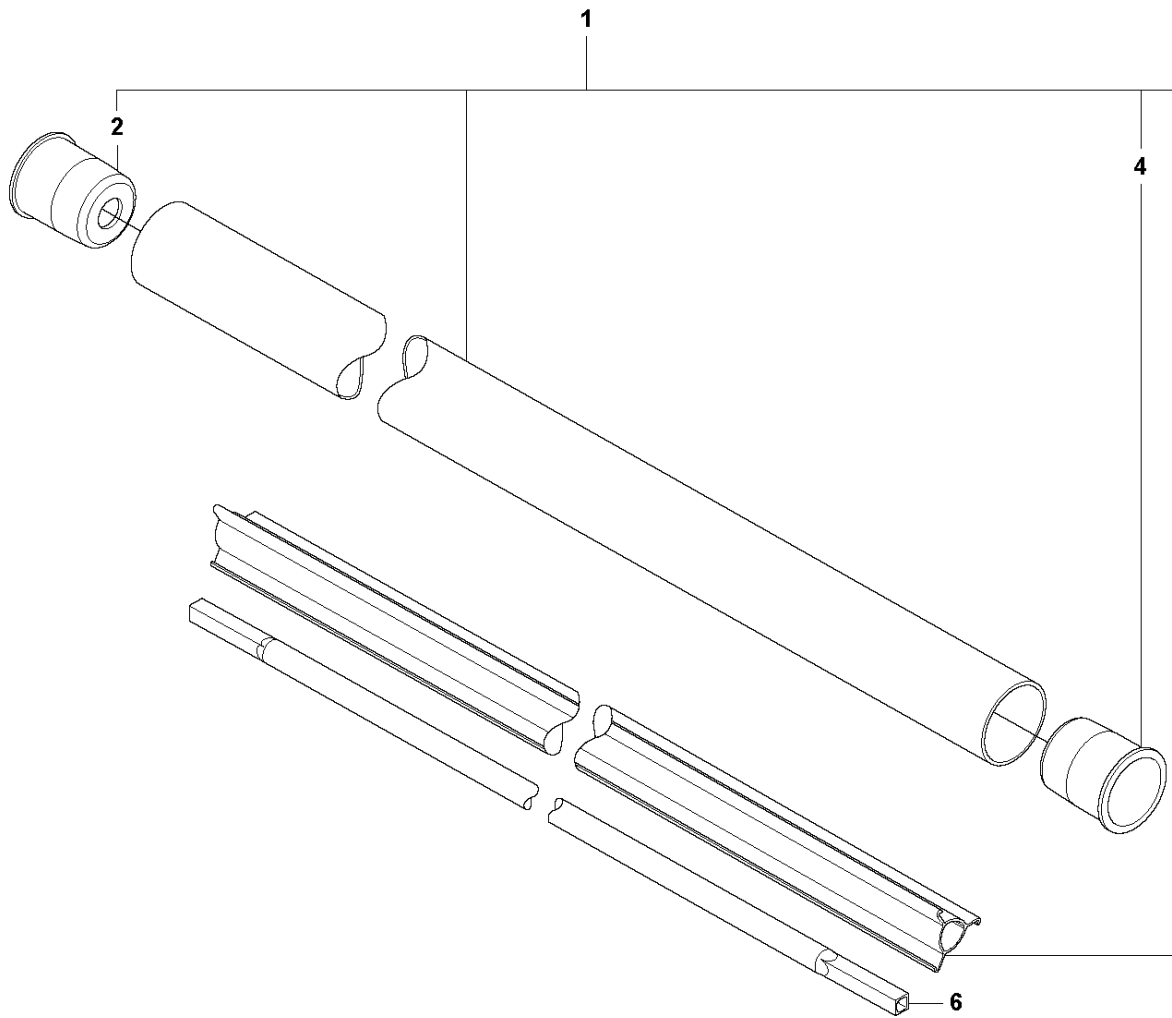


BEVEL GEAR

535 iFR

Ref	Part No	Description	Remark	QTY	KIT
1	544 21 84-22	SCREW ITXSCM		1	20
2	525 75 51-11	SCREW ITXSCFM		1	20
3	544 08 76-01	CLAMP		1	20
4	537 14 74-01	MAGNET		1	20
5	503 20 15-02	SCREW IHHM		1	16
6	537 29 59-02	GEAR HOUSING		1	16
7	738 21 99-00	BALL BEARING		1	16
8	503 20 03-25	SCREW IHSCFM		2	
9	738 21 01-10	BALL BEARING		1	16
10	738 21 01-12	BALL BEARING		1	16
11	735 31 28-10	CIRCLIP		1	16
12	735 31 14-00	CIRCLIP		1	16
13	505 13 33-01	SPARE PARTS KIT		1	16
14	503 25 28-01	BALL BEARING		1	16
15	735 31 31-10	CIRCLIP		1	16
16	537 29 58-03	BEVEL GEAR		1	16
17	537 35 14-02	DRIVER	"(1")"	1	
18	537 34 35-02	SUPPORT FLANGE		1	
19	502 29 11-01	BLADE NUT		1	
20	574 30 68-04	CLAMP		1	
21	544 84 33-01	LABEL		1	
22	574 03 95-01	LOCK NUT		1	20
23	574 40 44-01	LOCK NUT		1	20

B 535iFR
SHAFT



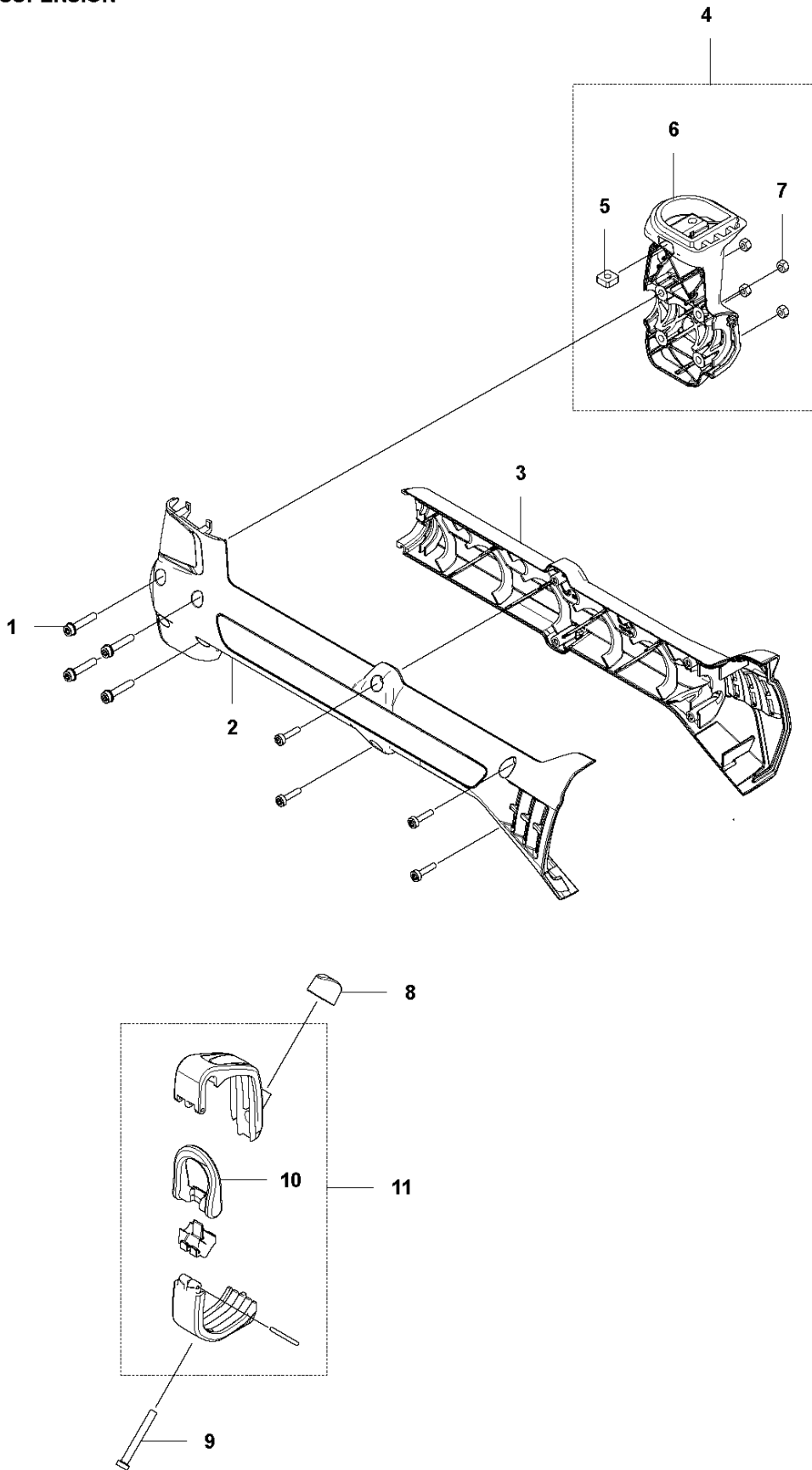
7

SHAFT

535 iFR

Ref	Part No	Description	Remark	QTY	KIT
1	501 91 97-03	TUBE ASSY		1	
2	537 36 02-01	SPACER		1	1
4	537 36 02-01	SPACER		1	1
6	537 35 52-03	DRIVE SHAFT		1	
7	577 84 43-01	DECAL		1	

C 535iFR
SUSPENSION

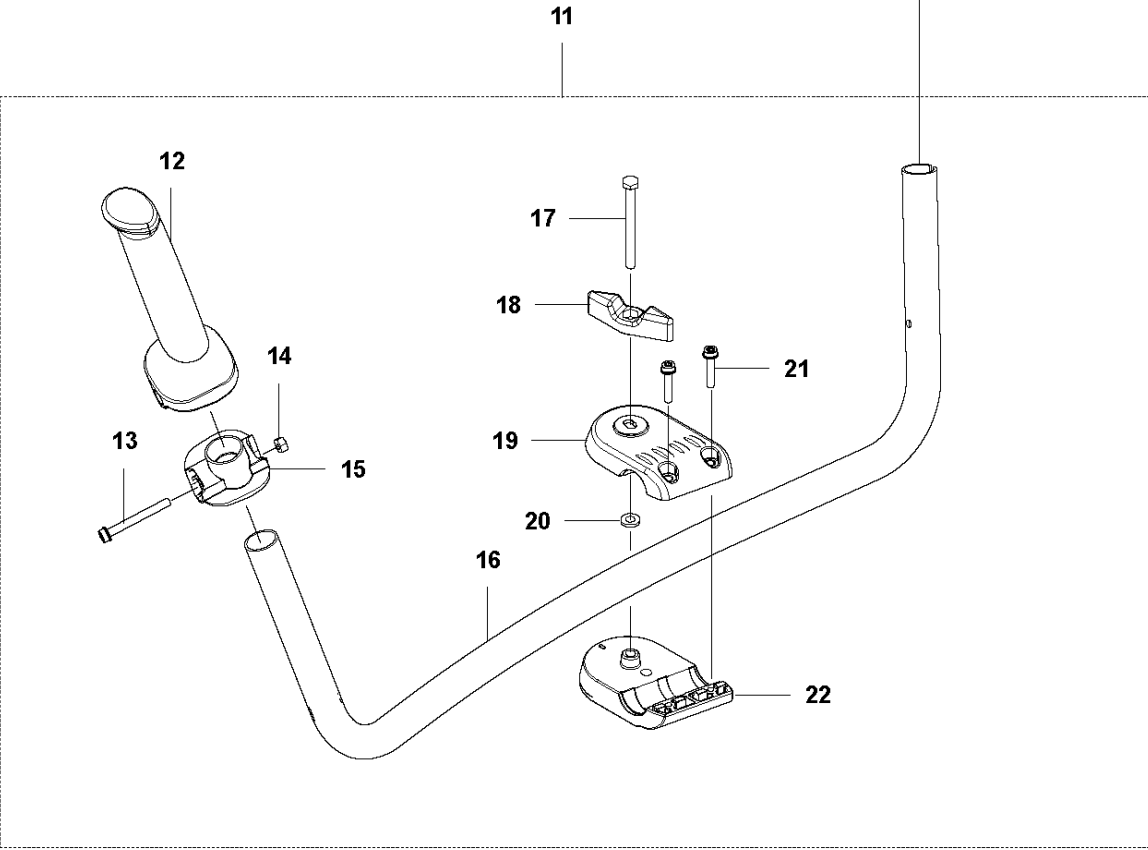
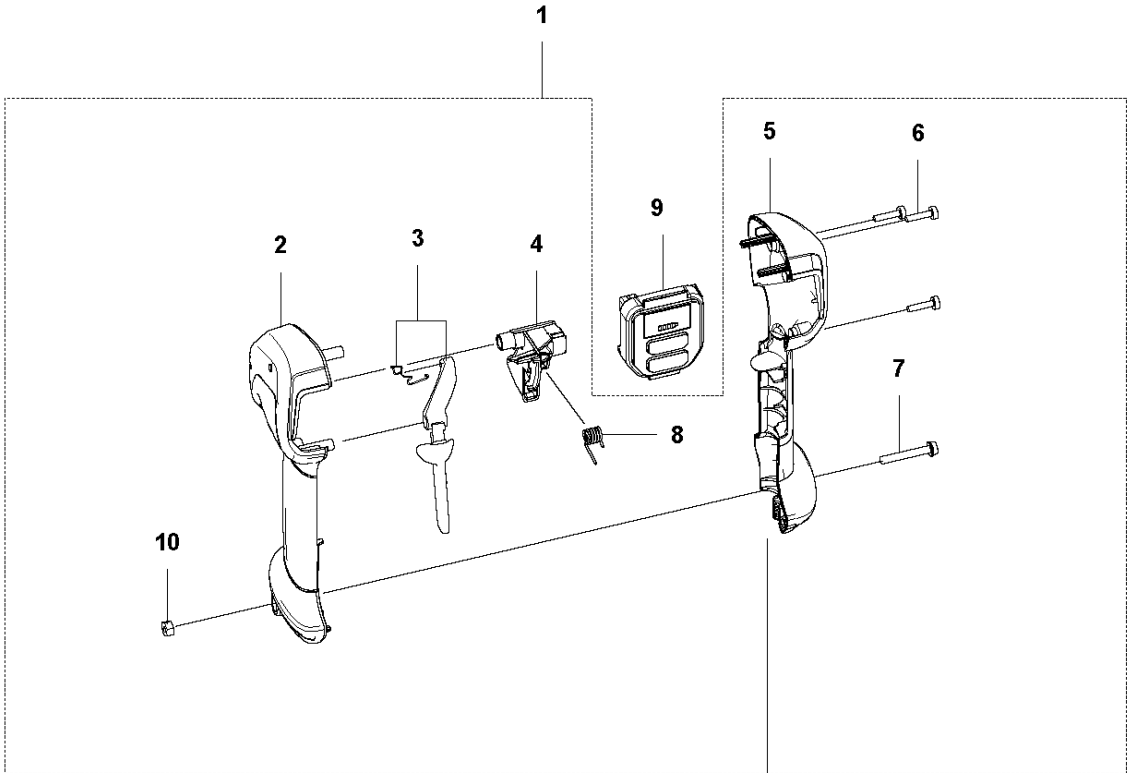


SUSPENSION

535 iFR

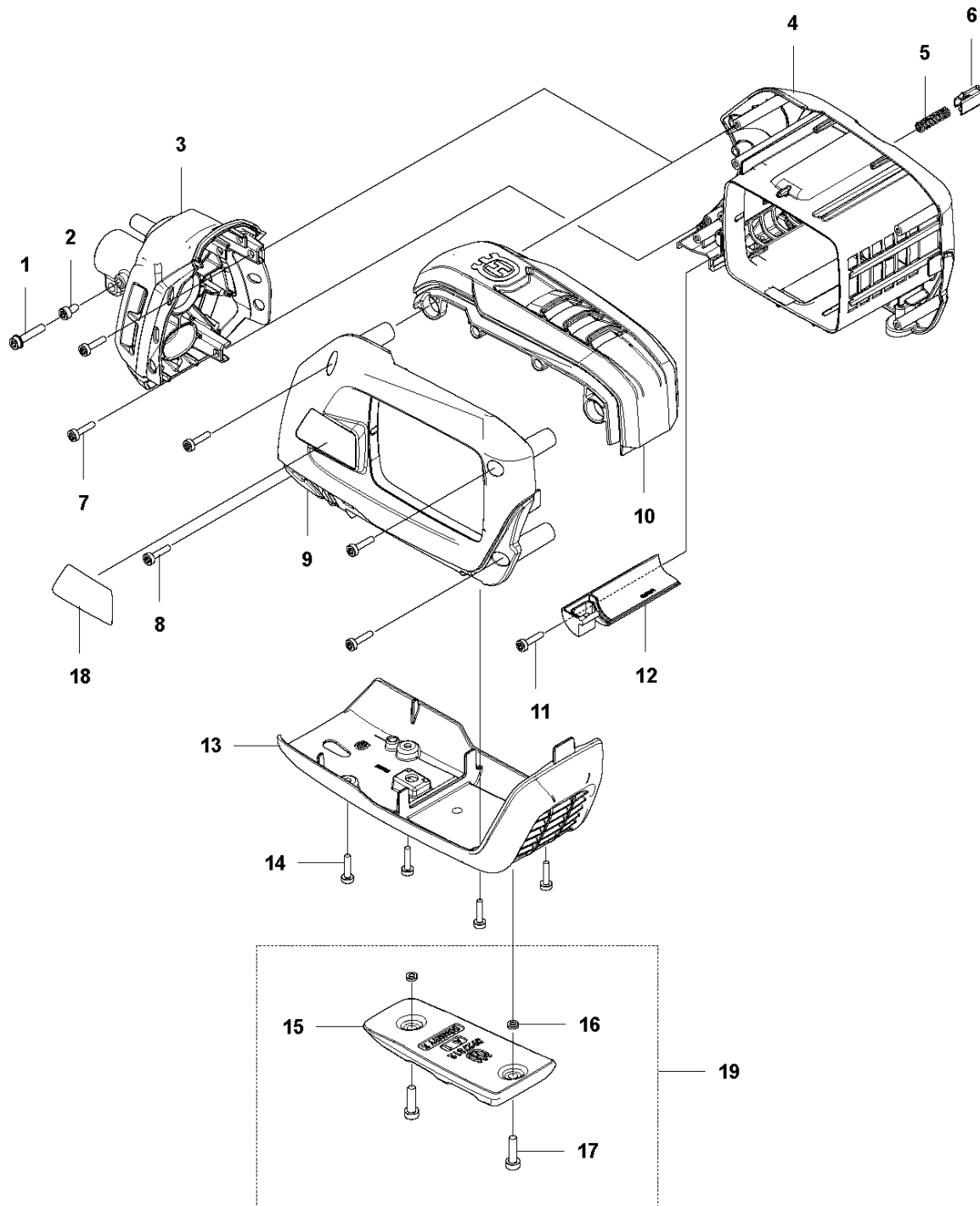
Ref	Part No	Description	Remark	QTY KIT	
1	525 75 51-04	SCREW ITXSCFM		4	
2	591 42 81-01	WEAR PROTECTION		1	
3	591 39 77-01	WEAR PROTECTION		1	
4	591 47 15-01	HANDLEBAR BRACKET		1	
5	502 19 71-01	SQUARE NUT		1	4
7	731 23 14-01	HEXAGON NUT		4	4
8	537 13 04-02	KNOB		1	
9	725 23 40-51	SCREW EHHM		1	
10	537 35 01-01	LOOP		1	11
11	591 45 78-01	LOOP		1	

D 535iFR
HANDLE



Ref	Part No	Description	Remark	QTY	KIT
1	596 90 16-01	HANDLE		1	
2	593 16 54-01	HANDLE HALF		1	1
3	598 72 15-01	THROTTLE LOCKOUT		1	1
4	593 04 43-01	THROTTLE CONTROL ASSY		1	1
5	593 16 55-01	HANDLE HALF		1	1
6	580 29 29-01	SCREW ITXSCT		3	1
7	525 75 51-09	SCREW ITXSCT		1	1
8	593 83 86-01	SPRING		1	1
9	593 84 11-01	CONTROL PANEL	PNC 967 85 05-01 &-02	1	
9	593 84 12-01	CONTROL PANEL	PNC 967 85 05-03 w/o Bluetooth	1	
10	503 22 10-12	HEXAGON NUT		1	1
11	593 62 40-02	HANDLEBAR ASSY		1	
12	537 17 28-03	HANDLE		1	11
13	525 75 51-06	SCREW ITXSCT		1	11
14	731 23 14-01	HEXAGON NUT		1	11
15	537 17 29-02	BRACKET		1	11
16	593 05 43-01	HANDLEBAR		1	11
17	725 23 84-81	SCREW EHHM		1	11
18	502 20 38-01	KNOB		1	11
19	582 76 12-03	HANDLEBAR BRACKET		1	11
20	502 28 21-01	WASHER		1	11
21	525 75 52-02	SCREW ITXSCT		2	11
22	582 76 23-03	HANDLEBAR BRACKET		1	11

E 535iFR
HOUSING

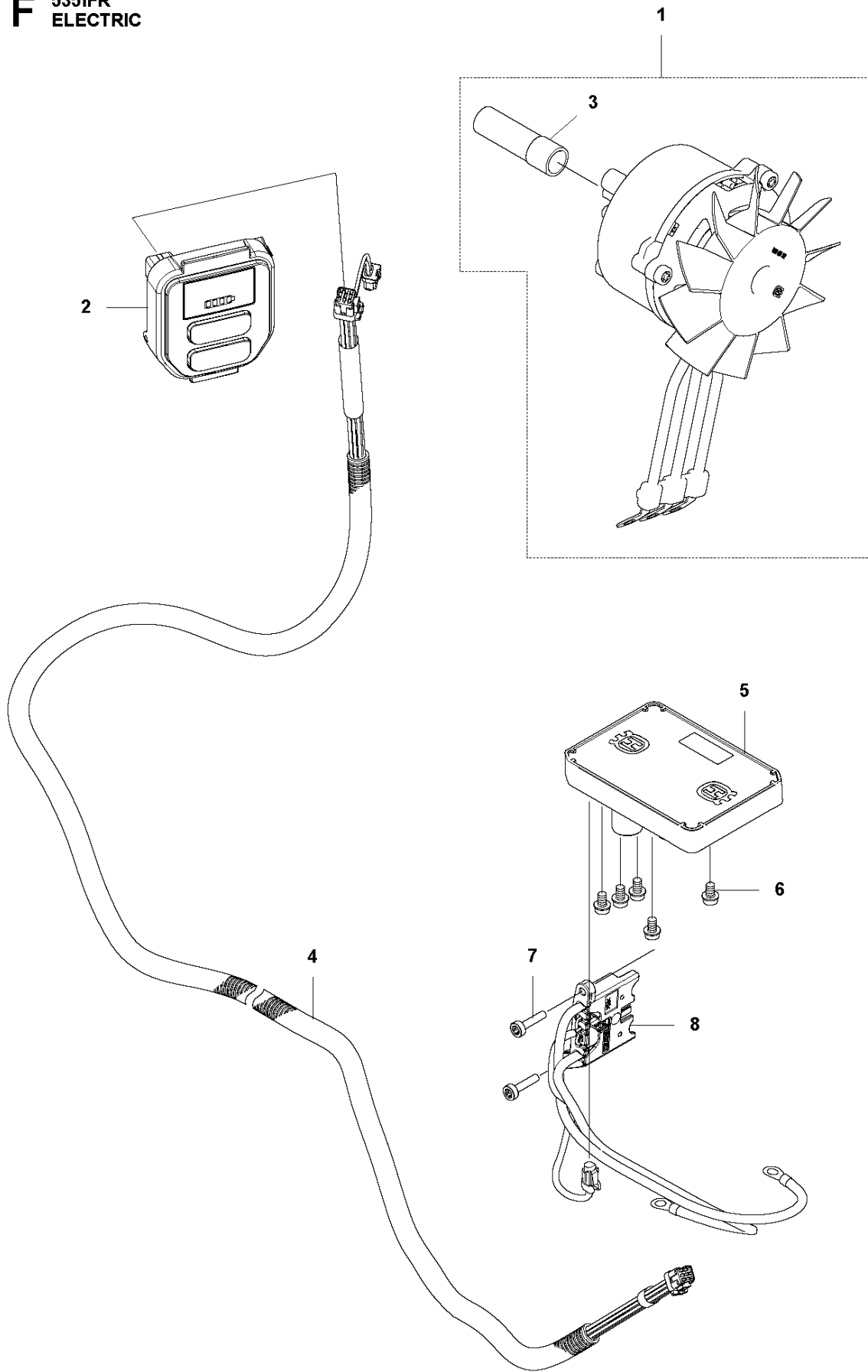


HOUSING

535 iFR

Ref	Part No	Description	Remark	QTY KIT
1	525 75 51-04	SCREW ITXSCFM		1
2	525 76 46-05	SCREW ITXSCT		1
3	590 78 09-01	MOTOR COVER		1
4	590 77 25-01	COVER		1
5	585 48 00-01	SPRING		1
6	577 99 66-01	PUSH BUTTON		1
7	580 29 29-01	SCREW ITXSCT		2
8	580 29 29-01	SCREW ITXSCT		4
9	590 77 24-01	COVER		1
10	590 77 06-01	COVER		1
11	580 29 29-01	SCREW ITXSCT		1
12	593 10 89-01	AIR CONDUCTOR		1
13	590 77 11-01	SKID PLATE		1
14	580 29 29-01	SCREW ITXSCT		4
15	592 73 12-01	WEIGHT		1
16	574 40 44-01	LOCK NUT		2
17	544 21 84-20	SCREW ITXSCM		2
18	593 34 98-02	DECAL	PNC 967 85 05-01 & -02	1
18	593 34 98-04	DECAL	PNC 967 85 05-03 w/o Bluetooth	1
19	593 34 91-01	WEIGHT		1

F 535iFR
ELECTRIC

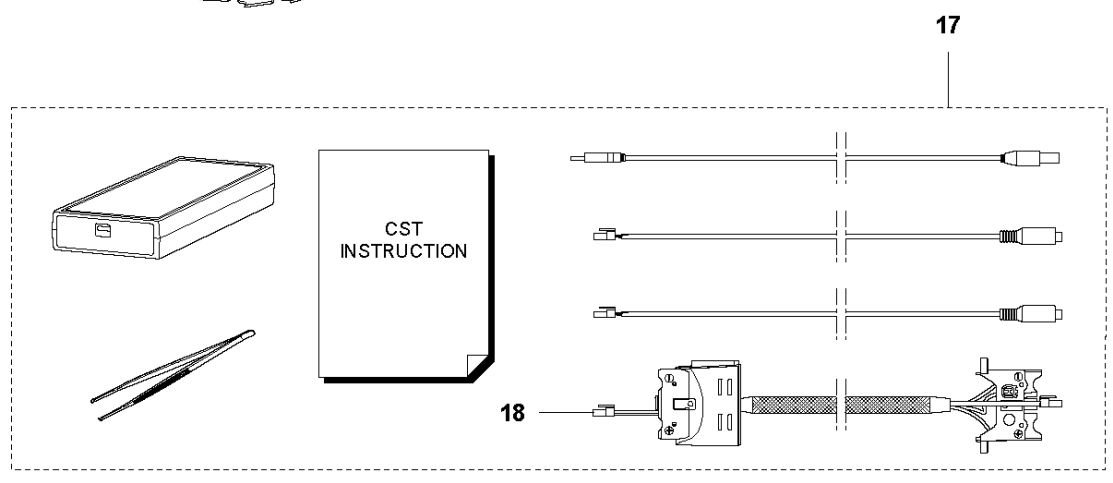
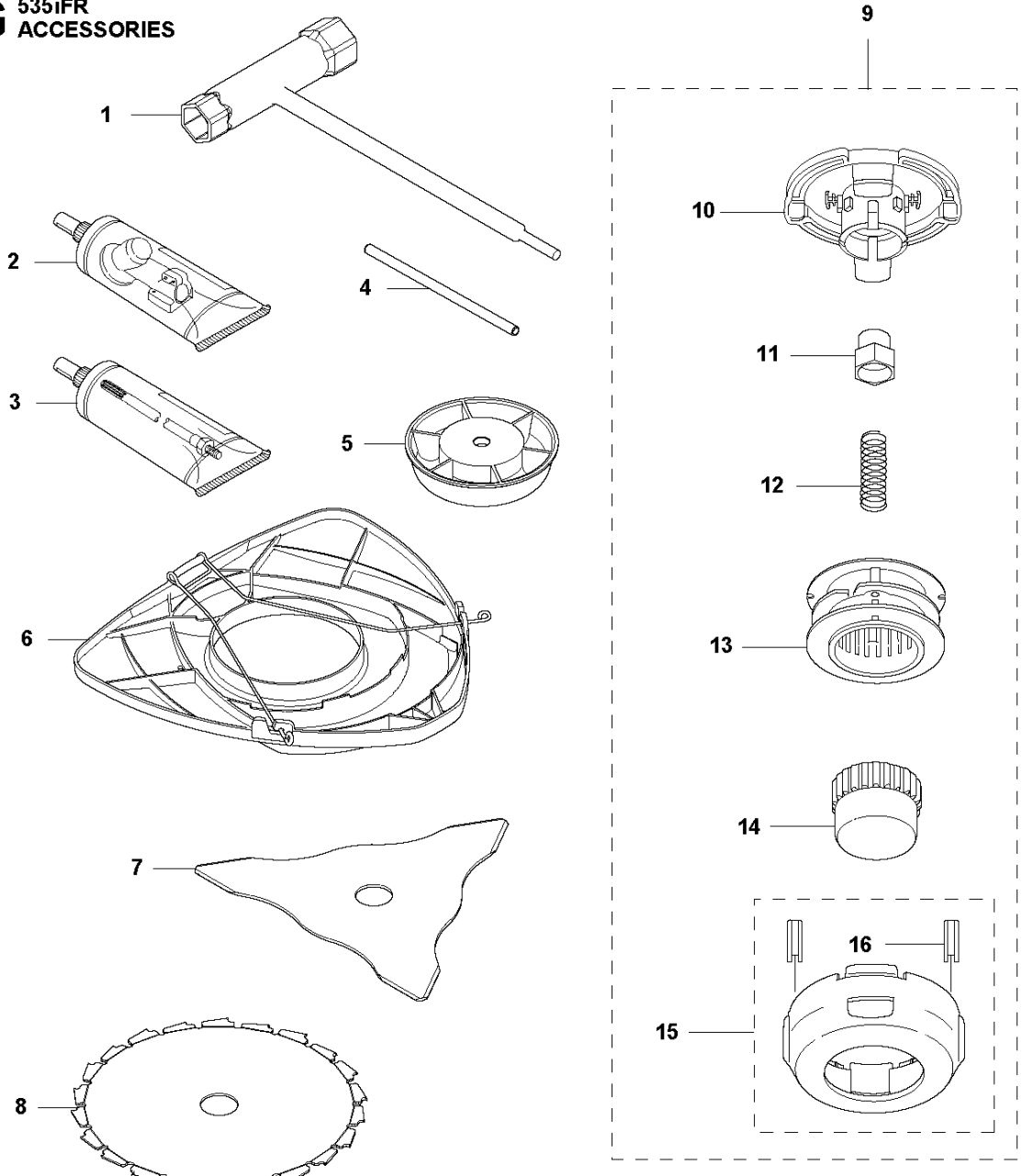


ELECTRICAL

535 iFR

Ref	Part No	Description	Remark	QTY	KIT
1	597 11 75-01	MOTOR ASSY		1	
2	593 84 11-01	CONTROL PANEL	PNC 967 85 05-01 &-02	1	
2	593 84 12-01	CONTROL PANEL	PNC 967 85 05-03 w o Bluetooth	1	
3	591 35 59-01	ADAPTER		1	1
4	593 58 99-02	WIRING ASSY		1	
5	597 66 95-01	CONTROL UNIT		1	
6	525 75 51-07	SCREW ITXSCFM		5	
7	580 29 29-01	SCREW ITXSCT		2	
8	593 08 39-01	WIRING ASSY		1	

G 535iFR
ACCESSORIES



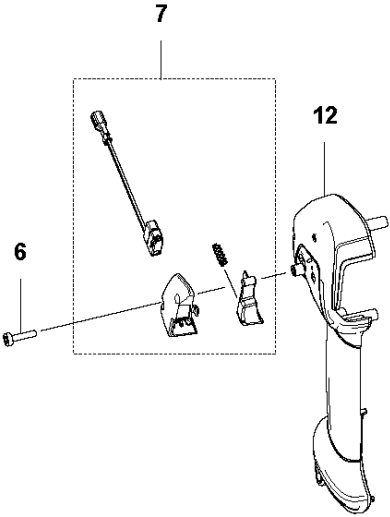
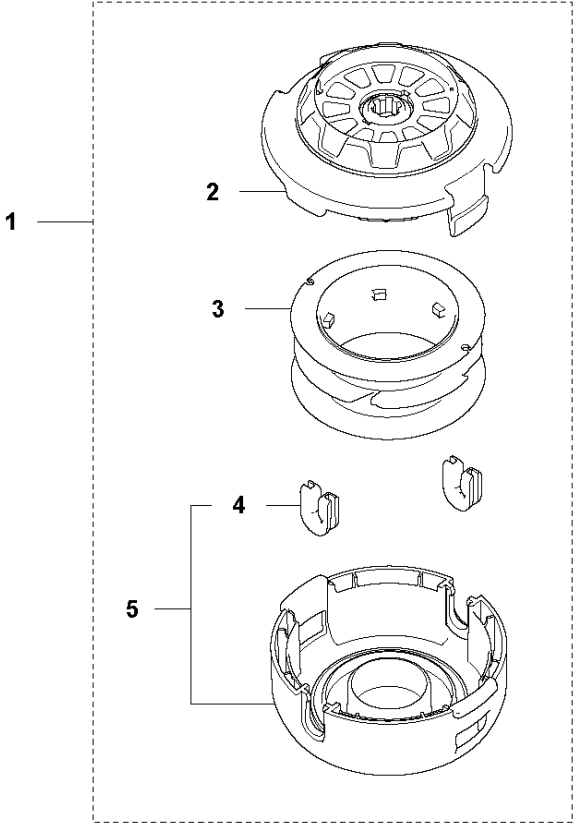
ACCESSORIES

535 iFR

Ref	Part No	Description	Remark	QTY	KIT
1	575 73 82-02	COMBINATION WRENCH		1	
2	503 97 64-01	GREASE		1	
3	503 80 17-01	GREASE		1	
4	502 28 59-01	STOP		1	
5	503 89 01-02	SUPPORT CUP		1	
6	544 35 91-01	TRANSPORT GUARD		1	
7	537 14 94-04	GRASS BLADE	"300 3T 1""	1	
8	578 44 25-01	SAW BLADE	"200 22T 1""	1	
9	578 44 64-01	TRIMMER HEAD	T35	1	
10	537 18 55-01	HOUSING		1	9
11	537 18 61-02	ADAPTER		1	9
12	537 18 60-01	SPRING		1	9
13	537 18 57-01	REEL		1	9
14	537 18 58-01	KNOB		1	9
15	544 04 44-02	LID		1	9
16	501 33 04-01	GROMMET		2	9,15
17	583 89 71-01	DIAGNOSTIC TOOL KIT		1	
18	579 62 13-01	WIRING ASSY		1	17

H 535iFR
ACCESSORIES

ERGOFEED TRIMMER HEAD

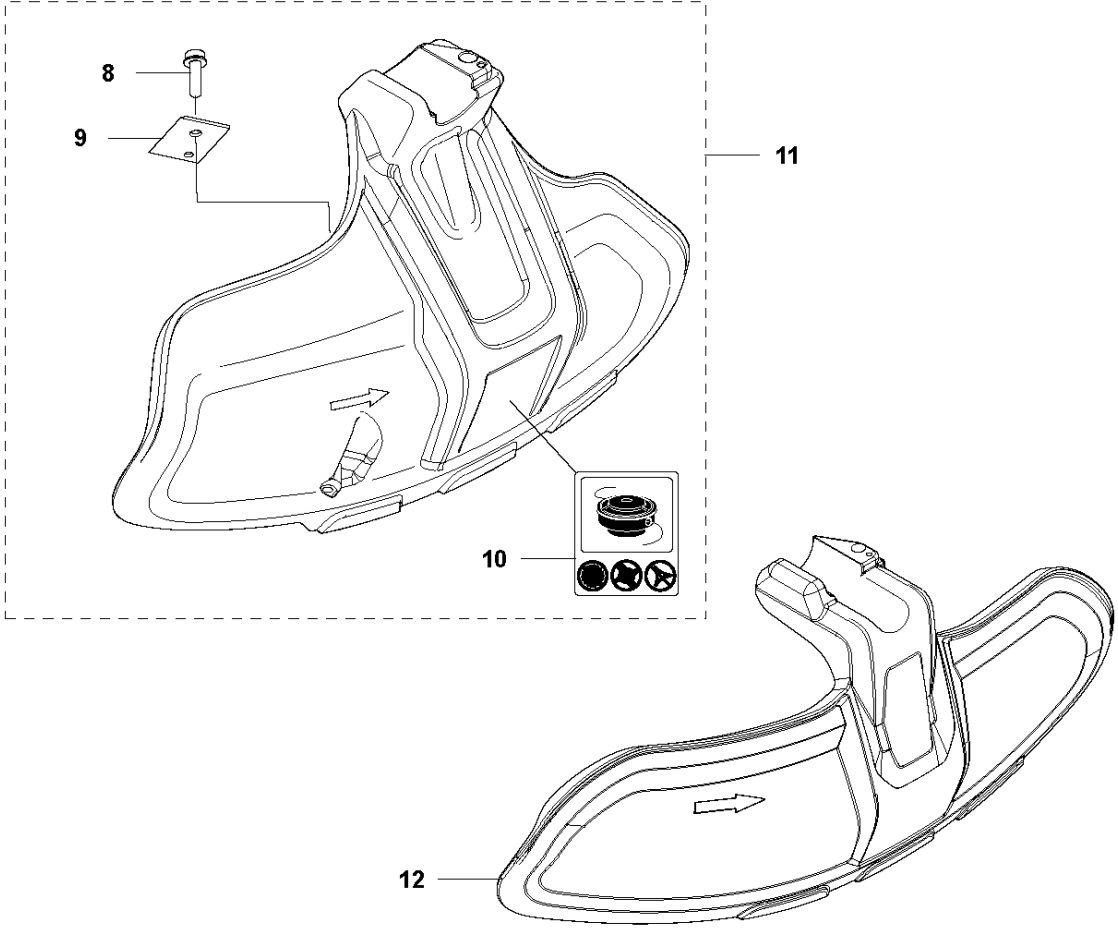
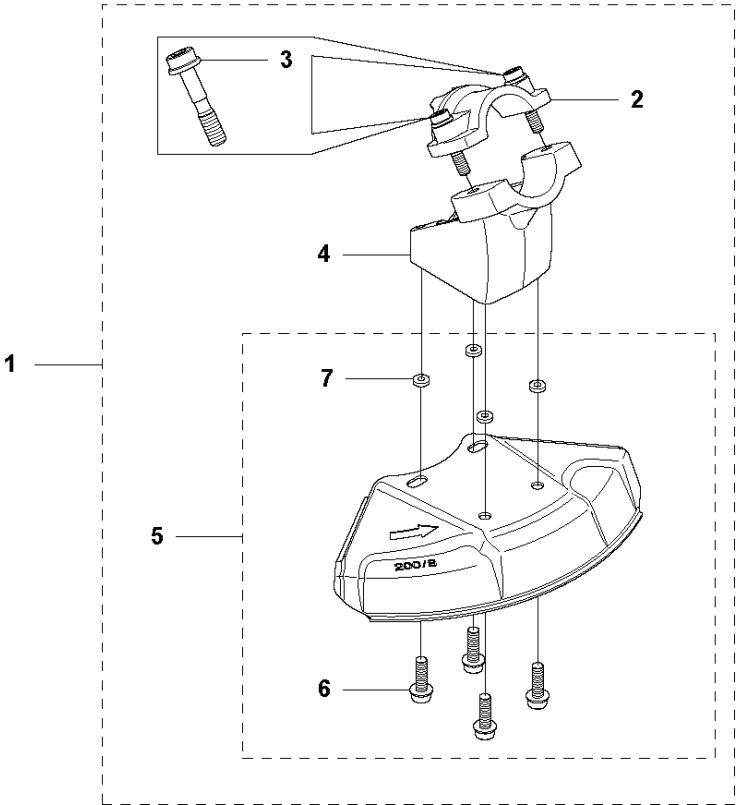


ACCESSORIES

535 iFR

Ref	Part No	Description	Remark	QTY	KIT
1	594 72 70-01	TRIMMER HEAD	E35B	1	
2	592 75 88-01	HOUSING ASSY		1	1
3	592 75 96-01	SPOOL		1	1
4	595 01 51-01	EYELET		2	1,5
5	592 75 97-01	COVER ASSY		1	1
6	580 29 29-01	SCREW ITXSCT		1	
7	593 84 13-02	BUTTON ASSY		1	
12	593 16 54-02	HANDLE HALF		1	

J 535iFR
ACCESSORIES

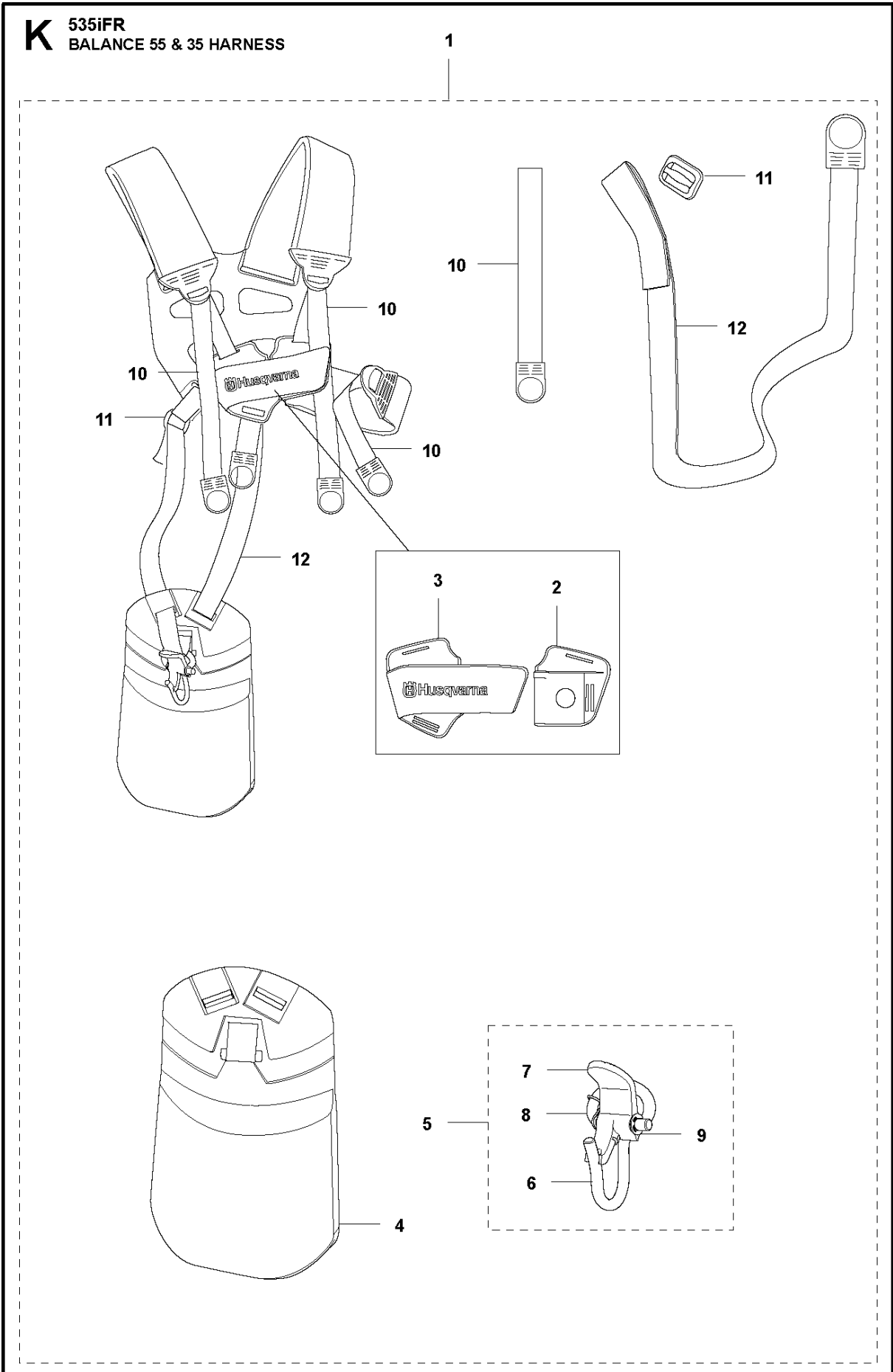


ACCESSORIES

535 iFR

Ref	Part No	Description	Remark	QTY	KIT
1	501 32 04-03	SAW BLADE GUARD		1	
2	574 53 06-02	CLAMP		1	1
3	577 21 87-04	SCREW ITXSCFMO		1	1,2
4	501 32 08-02	ADAPTER		1	1
5	574 53 26-02	BLADE GUARD		1	1
6	525 75 52-02	SCREW ITXSCFM		4	5
7	574 03 95-01	LOCK NUT		4	5
8	576 27 56-01	SCREW ITXSCFT		1	
9	503 79 88-02	BLADE		1	
10	503 74 29-01	DECAL		1	
11	590 88 01-01	TRIMMER GUARD ASSY		1	
12	590 88 00-01	BLADE GUARD		1	

K 535iFR
BALANCE 55 & 35 HARNESS



HARNESSES

535 iFR

Ref	Part No	Description	Remark	QTY KIT	
1	537 27 57-01	HARNESSES	PNC 967 85 05-01&03	1	
1	537 27 57-04	HARNESSES	PNC 967 85 05-02, US	1	
2	537 28 83-01	BUCKLE		1	1
3	537 28 84-01	BUCKLE		1	1
4	537 27 59-01	HIP PAD		1	1
5	502 02 28-01	HOOK		1	1
6	502 02 29-02	HOOK		1	1,5
7	502 02 30-02	LOCK		1	1,5
8	502 02 38-01	SPRING		1	1,5
9	735 31 09-20	E-CLIP		1	1,5
10	503 99 61-01	BAND		1	1
11	537 28 70-01	BUCKLE		1	1
12	503 99 61-03	BAND		1	1