



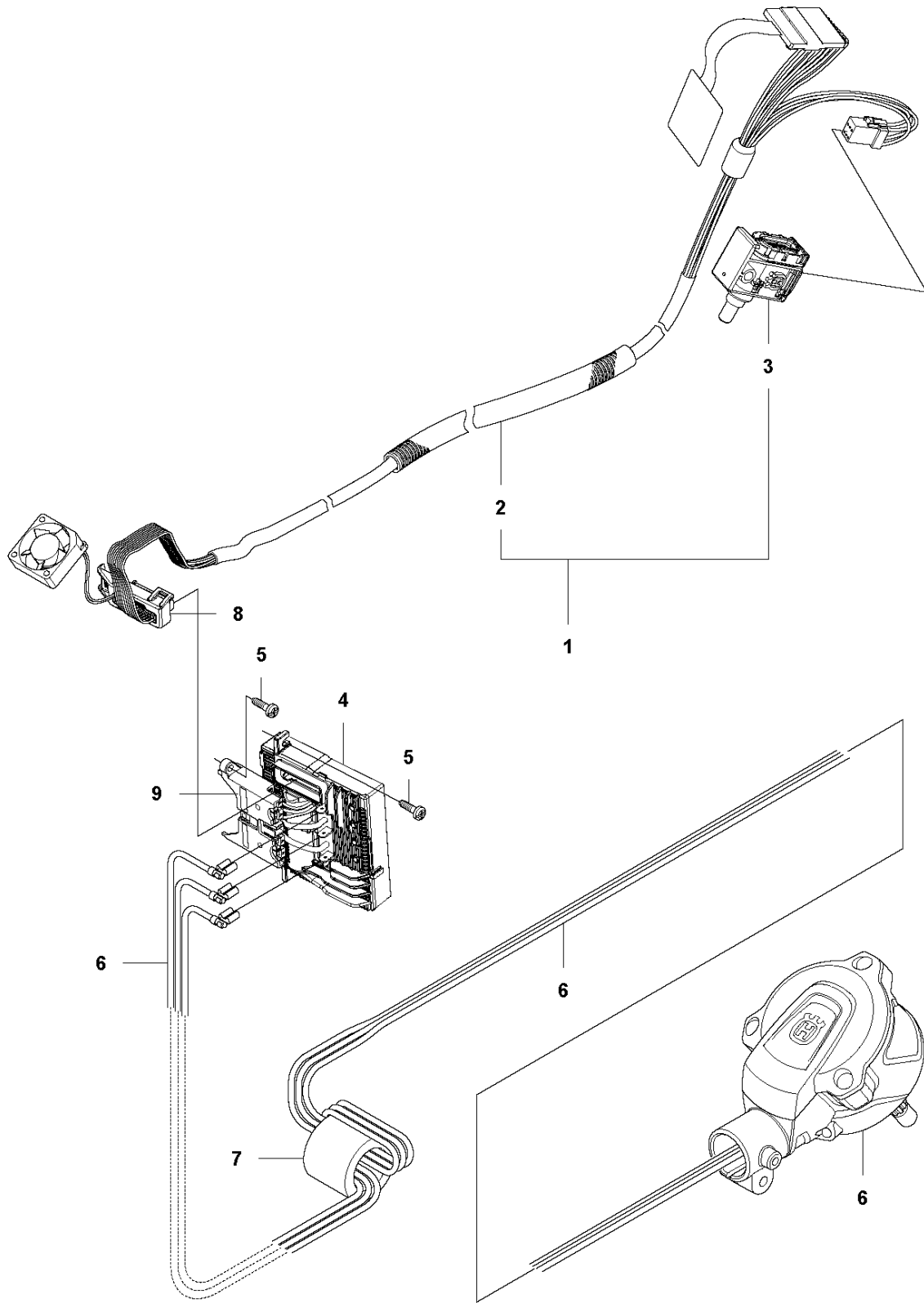
# SPARE PARTS LIST

BRUSHCUTTERS/CLEARING SAWS

536 LiRX

**E2** 536LiRX  
ELECTRIC

FROM S/N 20174900446 -

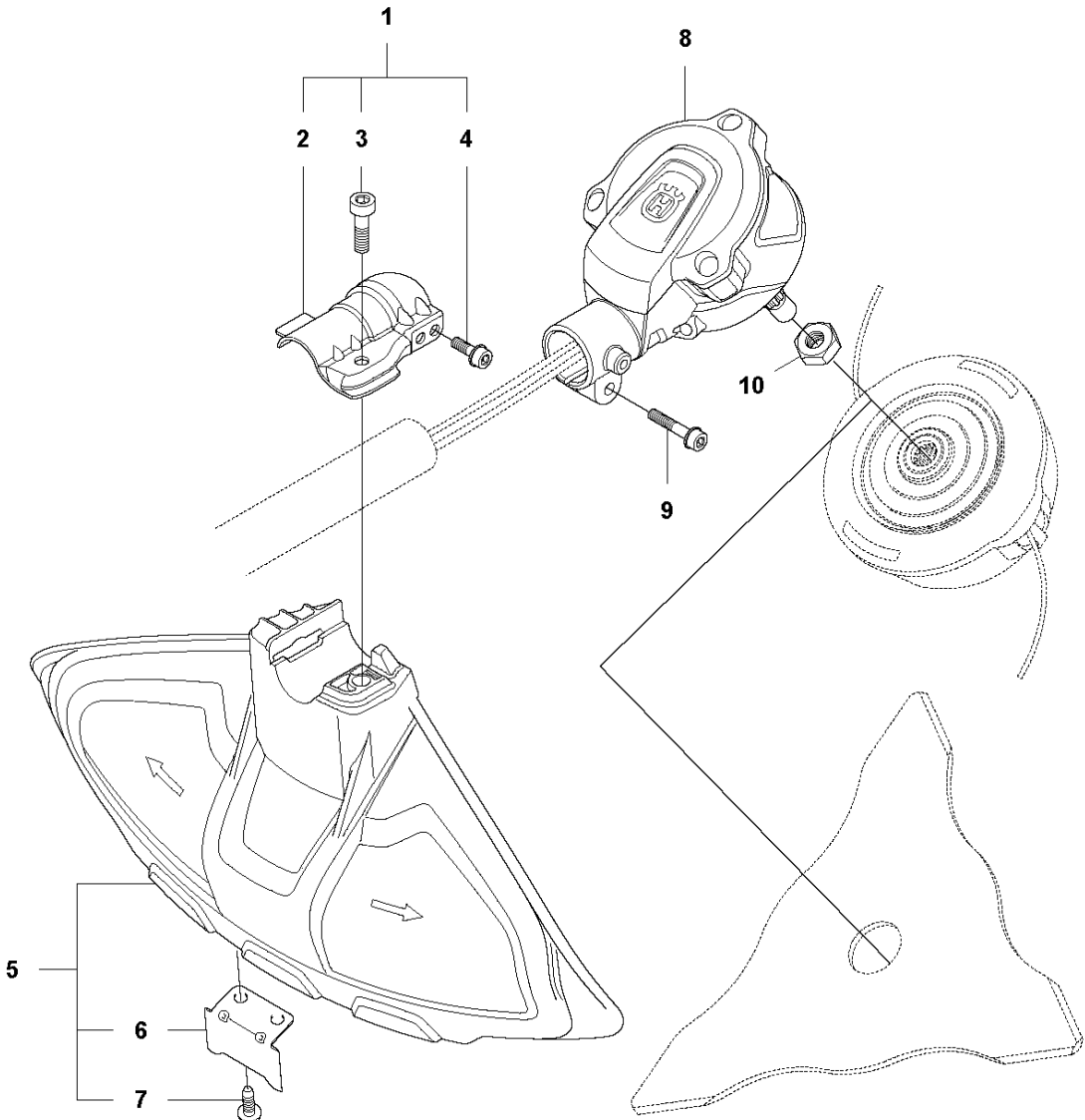


## ELECTRICAL

536 LiRX

Ref	Part No	Description	Remark	QTY	KIT
1	593 89 59-01	SWITCH KIT		1	
2	582 71 38-01	WIRING ASSY		1	1
3	582 05 07-01	TRIGGER SWITCH		1	1
4	586 32 32-01	CONTROL UNIT		1	
5	503 21 28-13	SCREW CCRPANT		4	
6	577 02 21-06	MOTOR ASSY		1	
7	577 97 66-01	FERRITE CORE	Removed from s/n 181400001->	1	
8	587 32 72-01	BRACKET		1	
9	593 81 30-01	CONNECTOR		1	

**A** 536LiRX  
CUTTING

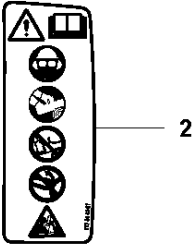
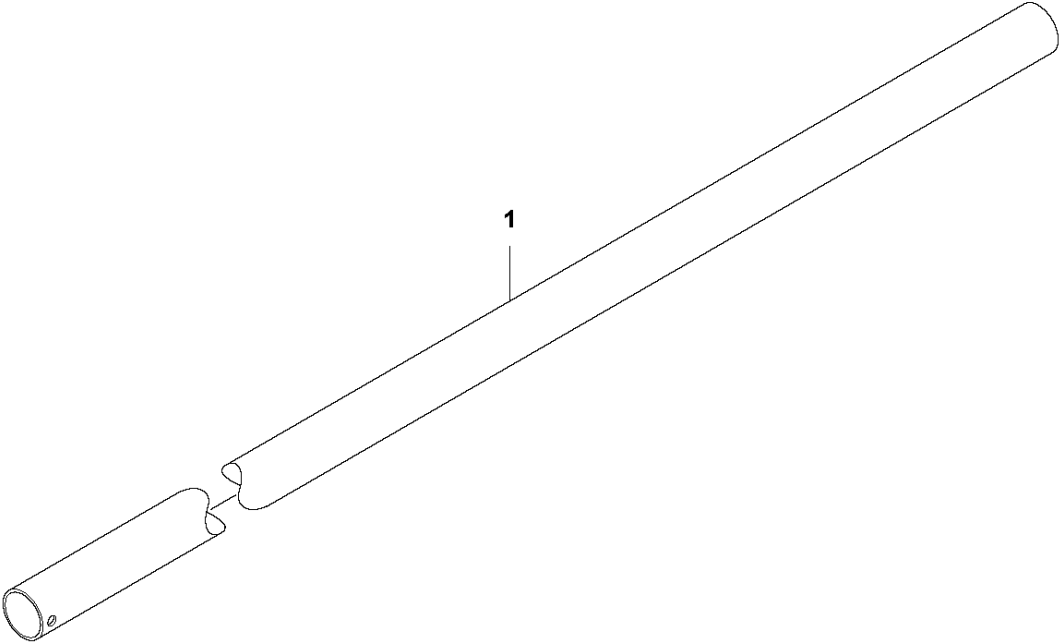


CUTTING EQUIPMENT

536 LiRX

Ref	Part No	Description	Remark	QTY	KIT
1	574 30 69-04	CLAMP		1	
2	503 93 55-01	CLAMP.GUARD		1	1
3	503 20 20-07	SCREW IHSCM		1	1
4	503 20 14-12	SCREW IHSCFMO		1	1
5	577 01 83-03	TRIMMER GUARD ASSY		1	
6	574 52 34-01	KNIFE		1	5
7	503 21 07-16	SCREW IH SCT		2	5
8	577 02 21-06	MOTOR ASSY		1	
9	503 20 07-78	SCREW IHSCFM		1	
10	503 85 63-01	NUT		1	

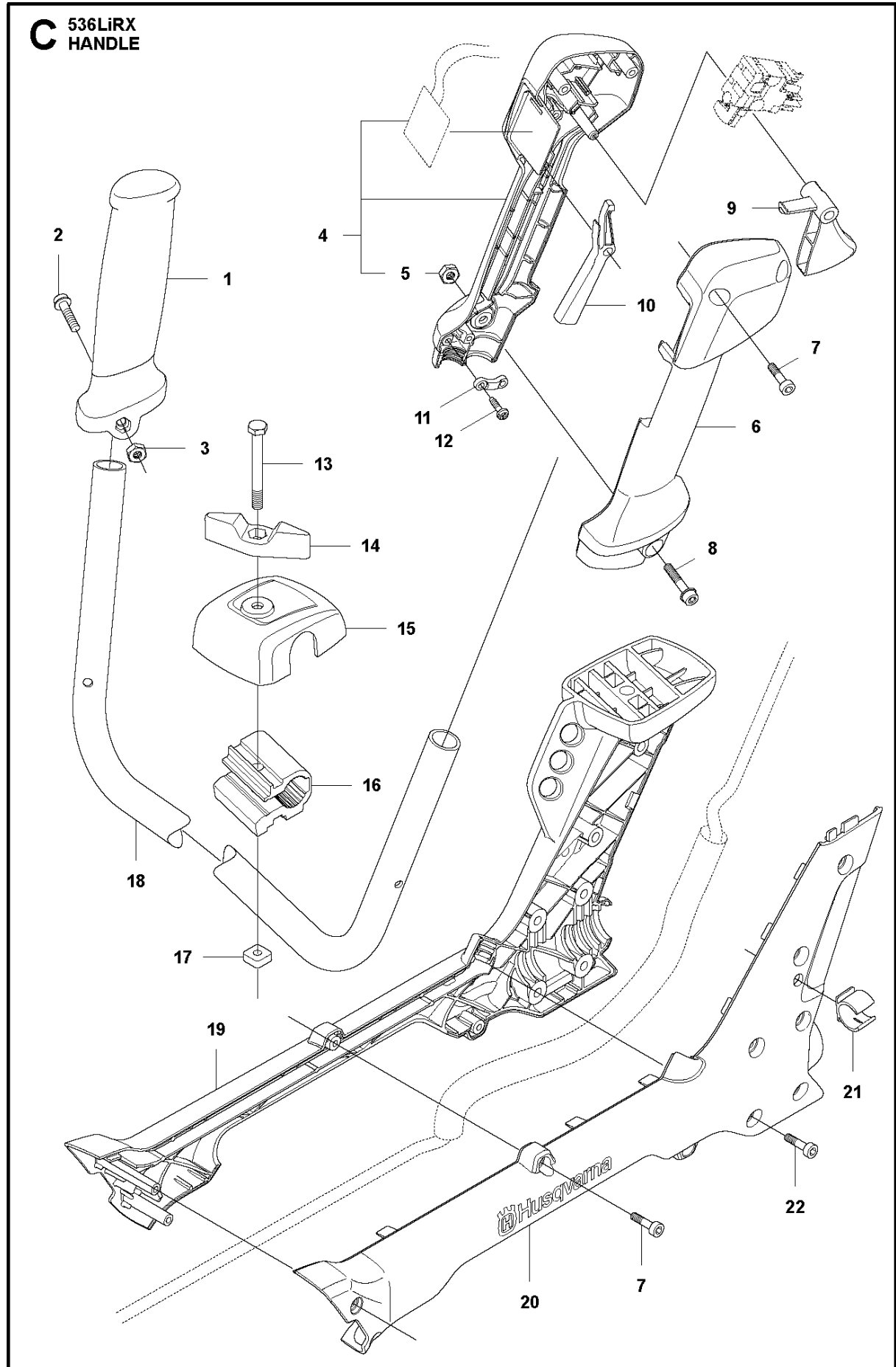
**B** 536LiRX  
TUBE



TUBE

536 LiRX

Ref	Part No	Description	Remark	QTY KIT
1	577 06 14-03	TUBE		1
2	577 84 43-01	DECAL		1



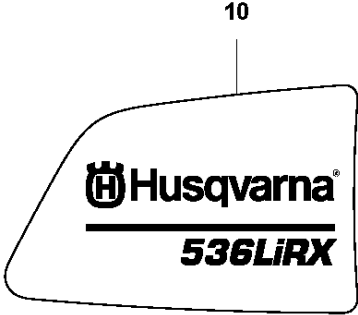
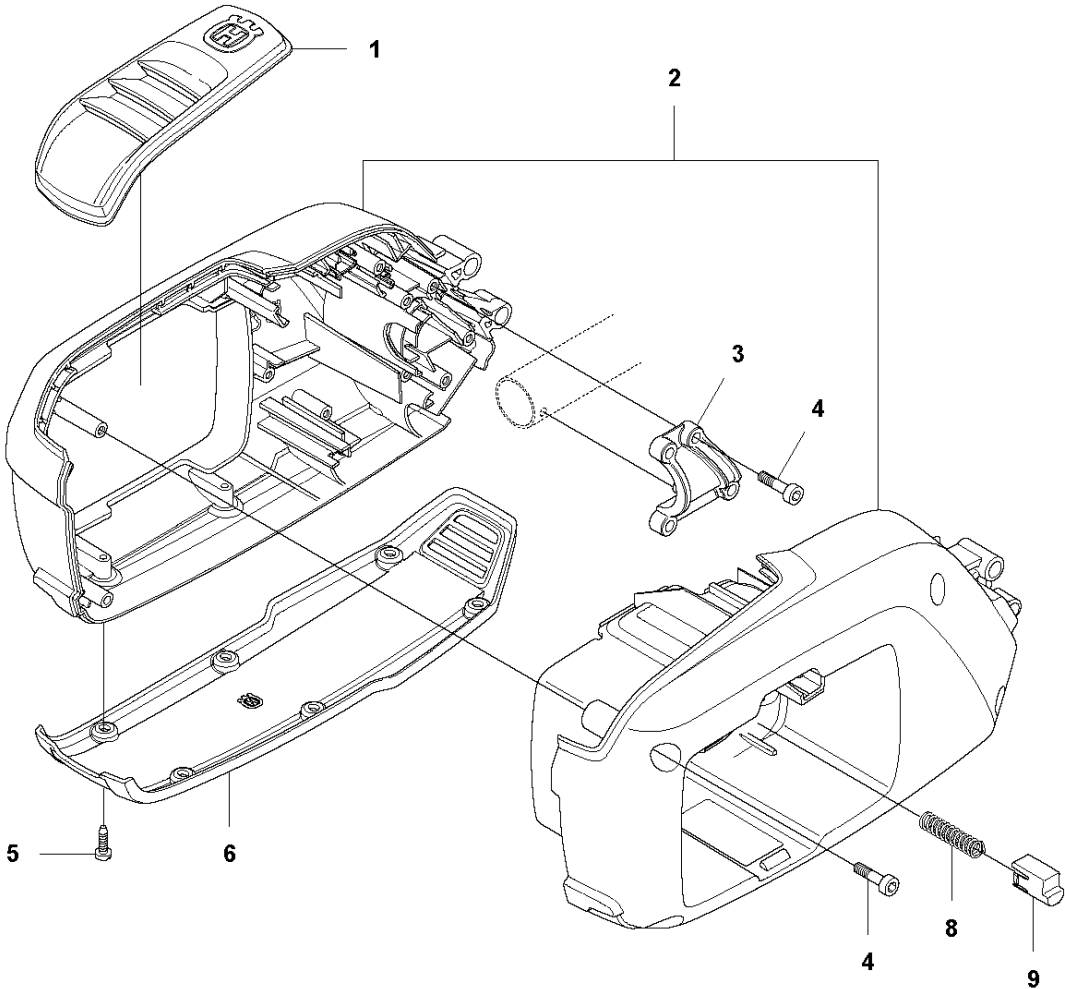


## HANDLE

536 LiRX

Ref	Part No	Description	Remark	QTY KIT
1	537 17 28-02	HANDLE		1
2	503 20 02-45	SCREW IHSCFM		1
3	731 23 14-01	HEXAGON NUT		1
4	579 32 38-01	HANDLE HALF		1
5	731 23 14-01	HEXAGON NUT		1
6	577 18 35-01	HANDLE HALF		1
7	579 21 19-01	SCREW IHSCFM		7
8	503 20 07-35	SCREW IHSCFM		1
9	577 18 37-01	THROTTLE CONTROL		1
10	577 22 37-01	THROTTLE LOCKOUT		1
11	577 88 34-01	FASTENER		2
12	503 21 28-13	SCREW CCRPANT		4
13	725 23 84-81	SCREW EHHM		1
14	502 20 38-01	KNOB		1
15	576 22 01-01	COVER		1
16	544 02 09-01	CLIP		1
17	502 19 71-01	SQUARE NUT		1
18	537 36 00-02	HANDLEBAR		1
19	577 24 53-02	WEAR PROTECTION		1
20	577 18 39-02	WEAR PROTECTION		1
21	578 12 79-01	CLIP		1
22	503 20 07-78	SCREW IHSCFM		6

**D1** 536LiRX: S/N → 201610xxxx  
BATTERY HOUSING

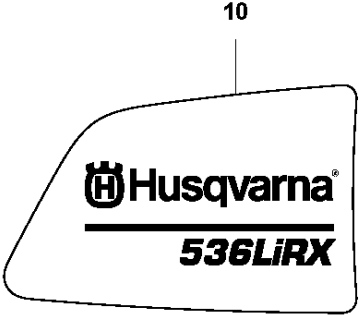
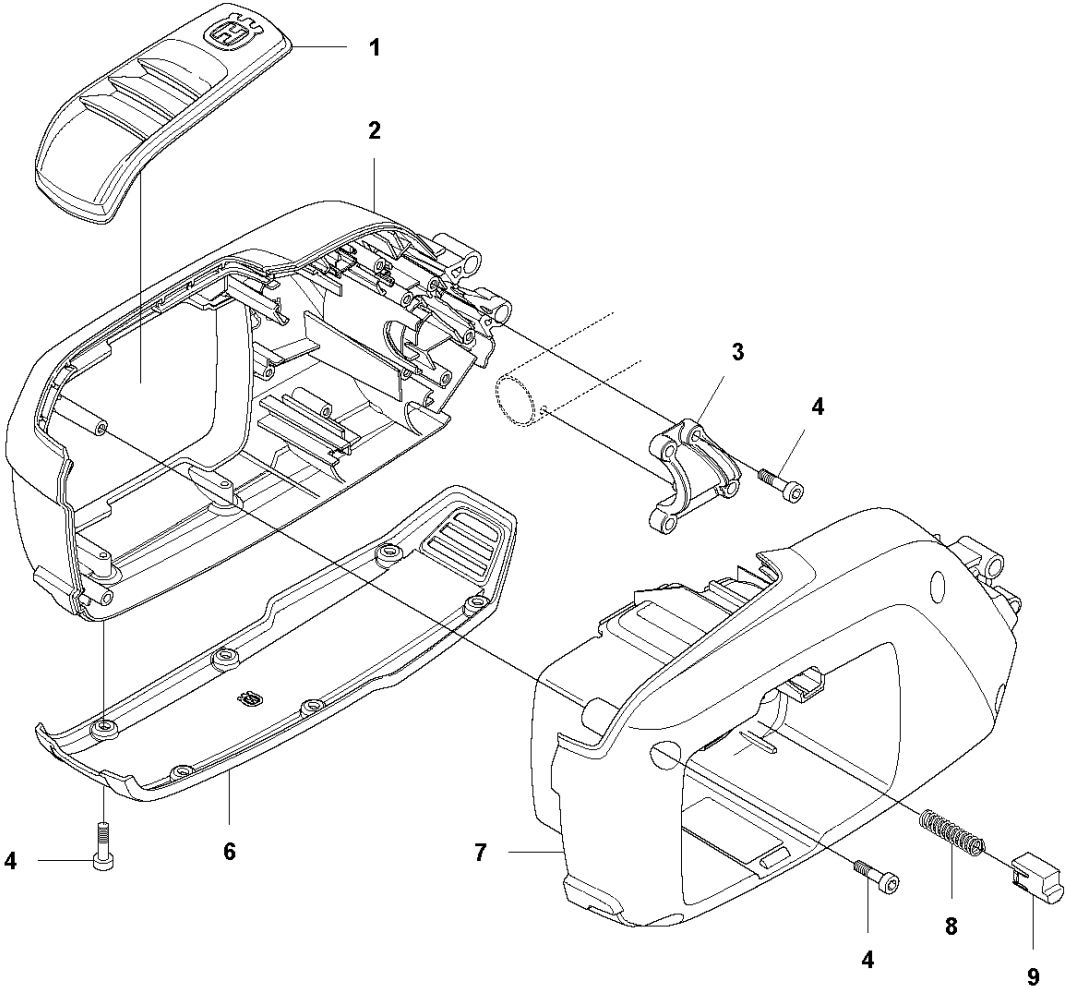


HOUSING

536 LiRX

Ref	Part No	Description	Remark	QTY KIT
1	577 01 41-01	COVER		1
2	582 70 14-01	HOUSING		1
3	577 02 22-01	CLAMP		1
4	579 21 19-01	SCREW IHSCT		8
5	503 21 28-13	SCREW CCRPANT		6
6	577 01 42-01	SKID PLATE		1
8	585 48 00-01	SPRING		1
9	577 99 66-01	PUSH BUTTON		1
10	579 00 62-05	DECAL		1

**D2** 536LiRX: S/N 201610xxxx →  
**BATTERY HOUSING**



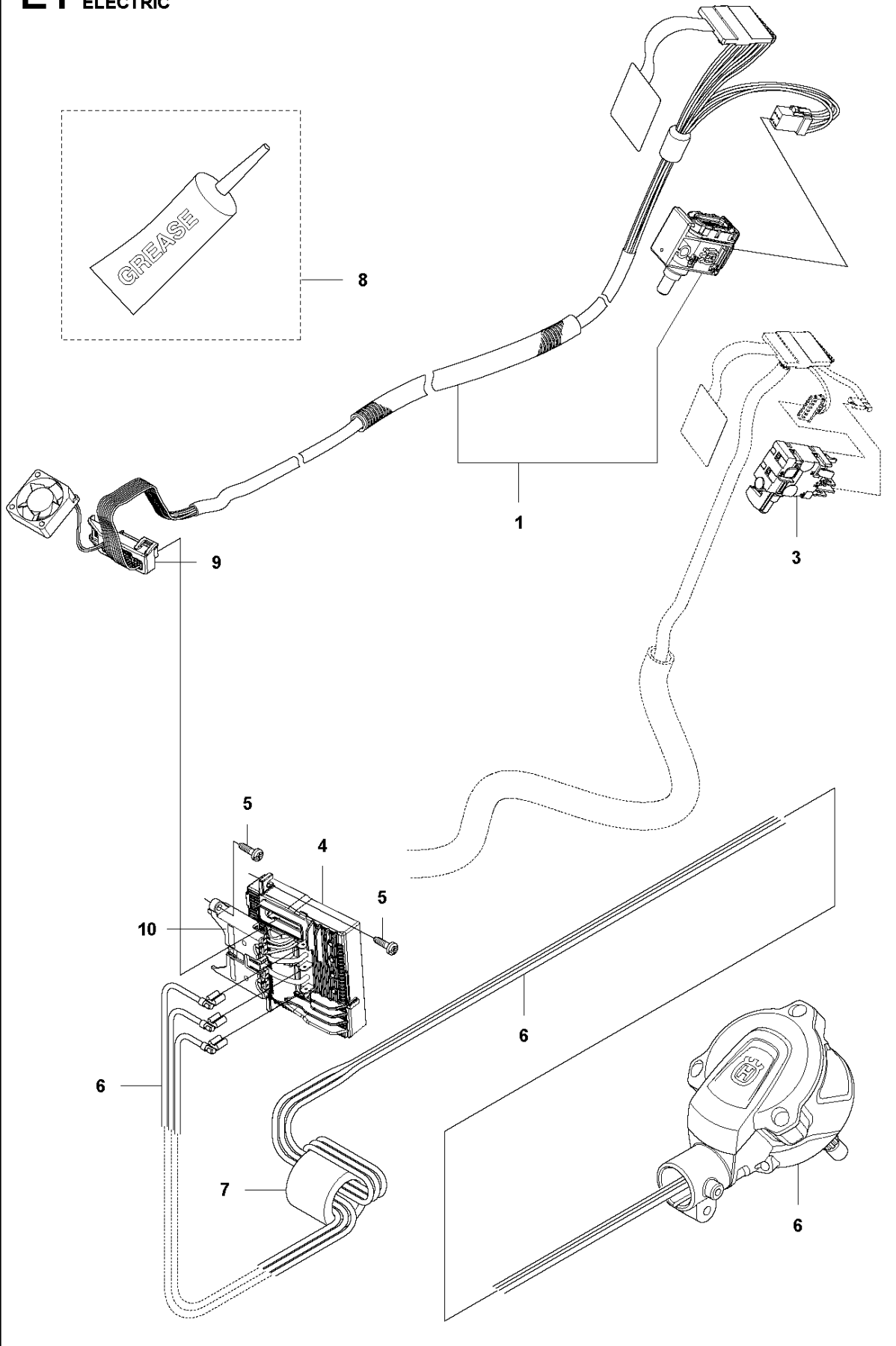
HOUSING

536 LiRX

Ref	Part No	Description	Remark	QTY KIT
1	577 01 41-01	COVER		1
2	577 00 76-03	HOUSING		1
3	577 02 22-01	CLAMP		1
4	579 21 19-01	SCREW IHSCT		14
6	588 91 98-01	SKID PLATE		1
7	577 01 30-02	HOUSING		1
8	585 48 00-01	SPRING		1
9	577 99 66-01	PUSH BUTTON		1
10	579 00 62-05	DECAL		1

**E1** 536LiRX  
ELECTRIC

UP TO S/N 20174900446

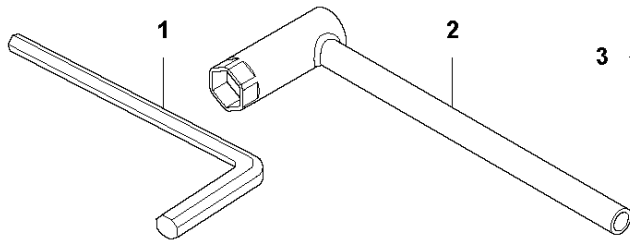


## ELECTRICAL

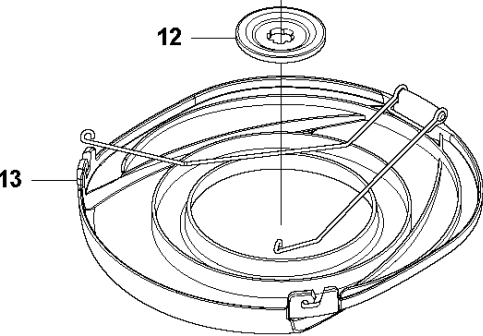
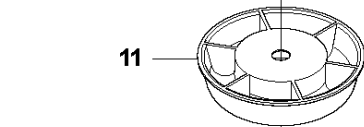
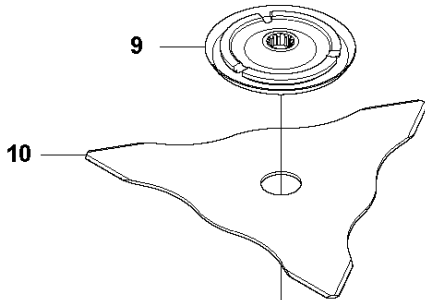
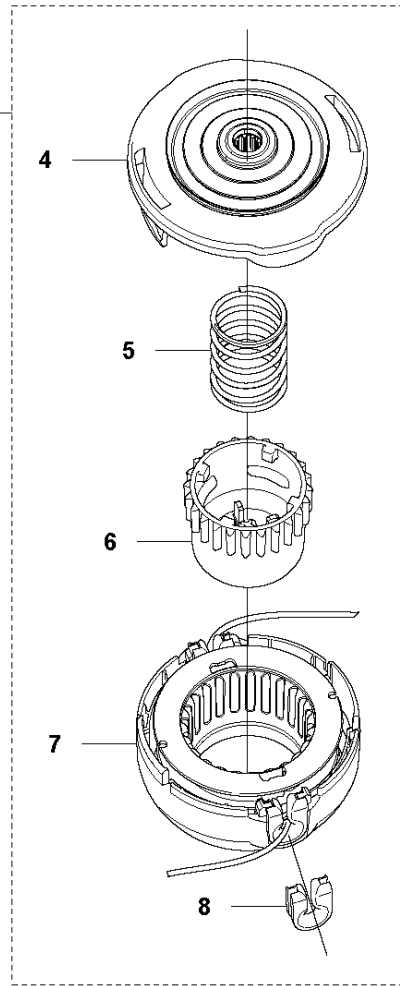
536 LiRX

Ref	Part No	Description	Remark	QTY	KIT
1	593 89 59-01	SWITCH KIT		1	
3	578 32 69-01	TRIGGER SWITCH		1	1
4	586 32 32-01	CONTROL UNIT		1	
5	503 21 28-13	SCREW CCRPANT		4	
6	577 02 21-06	MOTOR ASSY		1	
7	577 97 66-01	FERRITE CORE	Removed from s/n 181400001->	1	
8	588 17 64-01	GREASE		1	
9	587 32 72-01	BRACKET		1	
10	593 81 30-01	CONNECTOR		1	

**F** 536LiRX  
ACCESSORIES

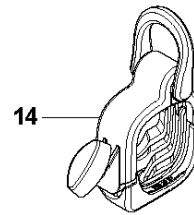


3

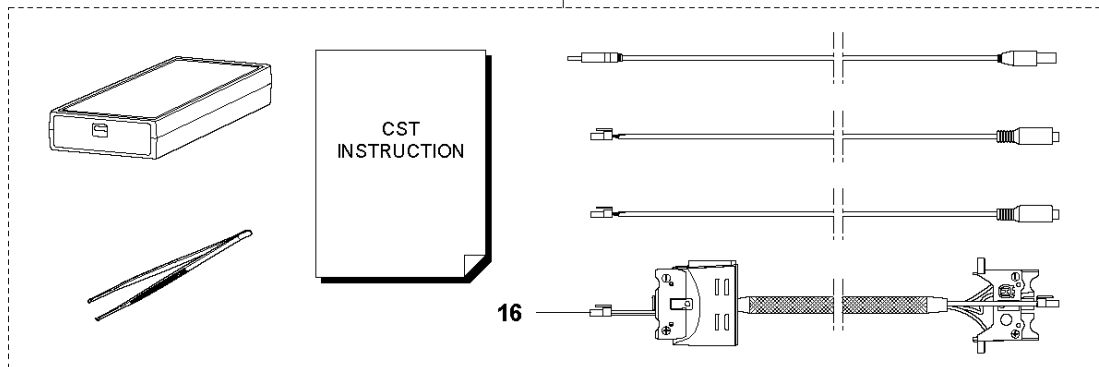


7

8



15



16



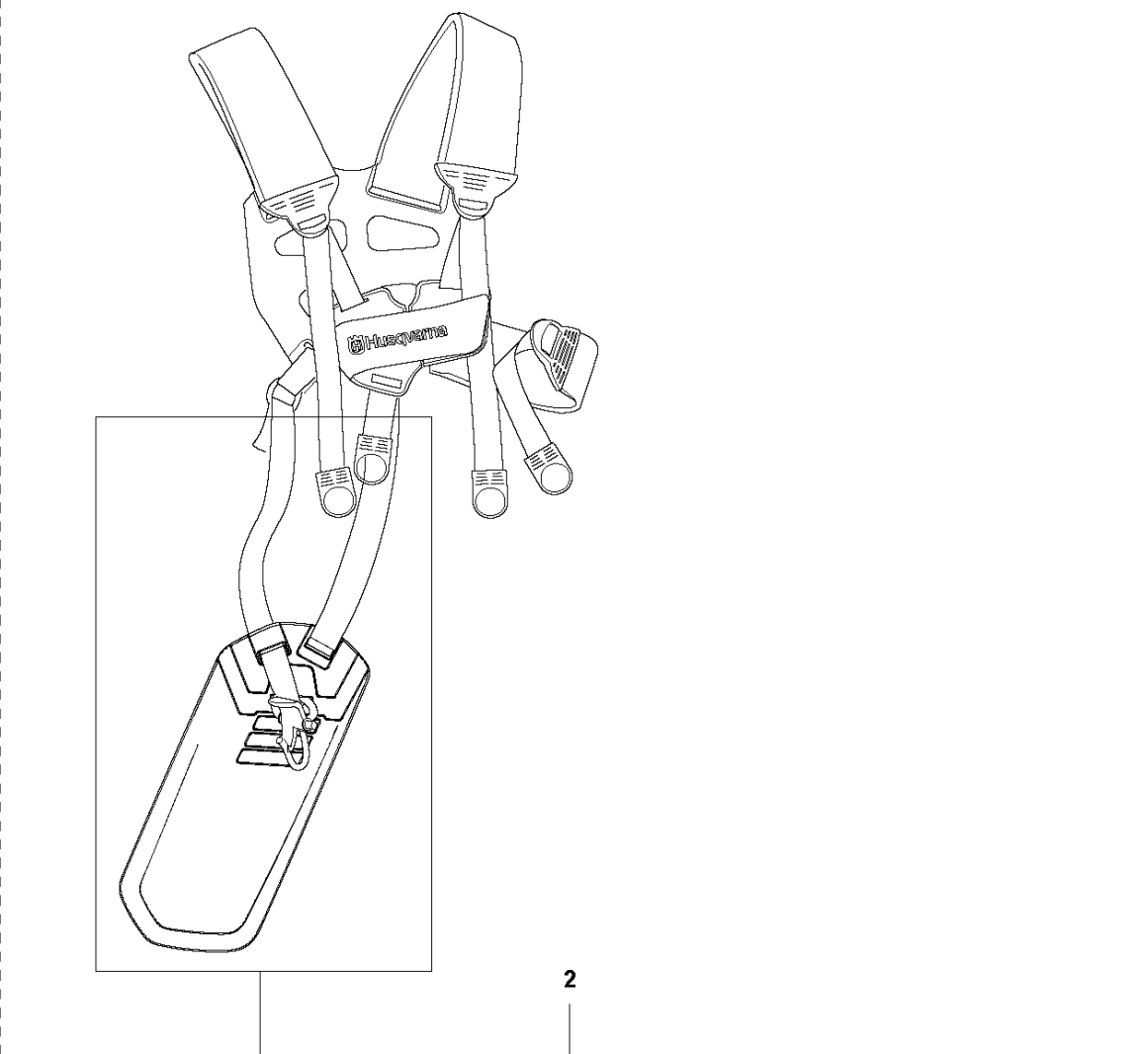
## ACCESSORIES

536 LiRX

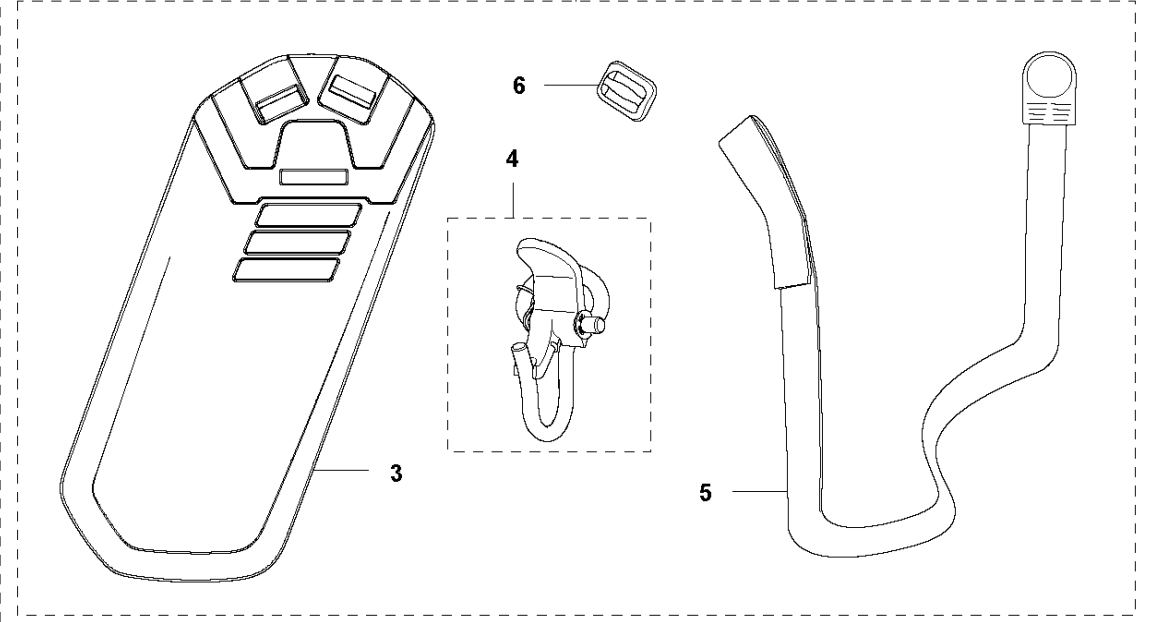
Ref	Part No	Description	Remark	QTY	KIT
1	503 55 86-01	SPANNER		1	
2	502 11 46-02	SOCKET WRENCH		1	
3	579 29 40-03	TRIMMER HEAD		1	
4	585 51 08-02	HOUSING ASSY		1	3
5	577 05 03-01	SPRING		1	3
6	577 04 93-01	KNOB		1	3
7	578 19 69-01	COVER		1	3
8	501 33 04-01	GROMMET		2	3
9	587 24 08-01	DRIVER ASSY		1	
10	578 44 49-01	GRASS BLADE		1	
11	503 89 01-01	SUPPORT CUP		1	
12	537 28 56-01	SUPPORT FLANGE		1	
13	537 31 29-01	TRANSPORT GUARD		1	
14	590 28 23-01	LOOP		1	
15	583 89 71-01	DIAGNOSTIC TOOL KIT		1	
16	579 62 13-01	WIRING ASSY		1	15

**G** 536LiRX HARNESS

1



2



HARNESS

536 LiRX

Ref	Part No	Description	Remark	QTY	KIT
1	537 27 57-05	HARNESS		1	
1	538275706	TBD	US	1	
2	587 83 40-01	HIP PAD		1	
3	579 49 14-01	HIP PAD		1	2
4	502 02 28-05	WELT HOOK		1	2
5	503 99 61-03	BAND		1	2
6	537 28 70-01	BUCKLE		1	2