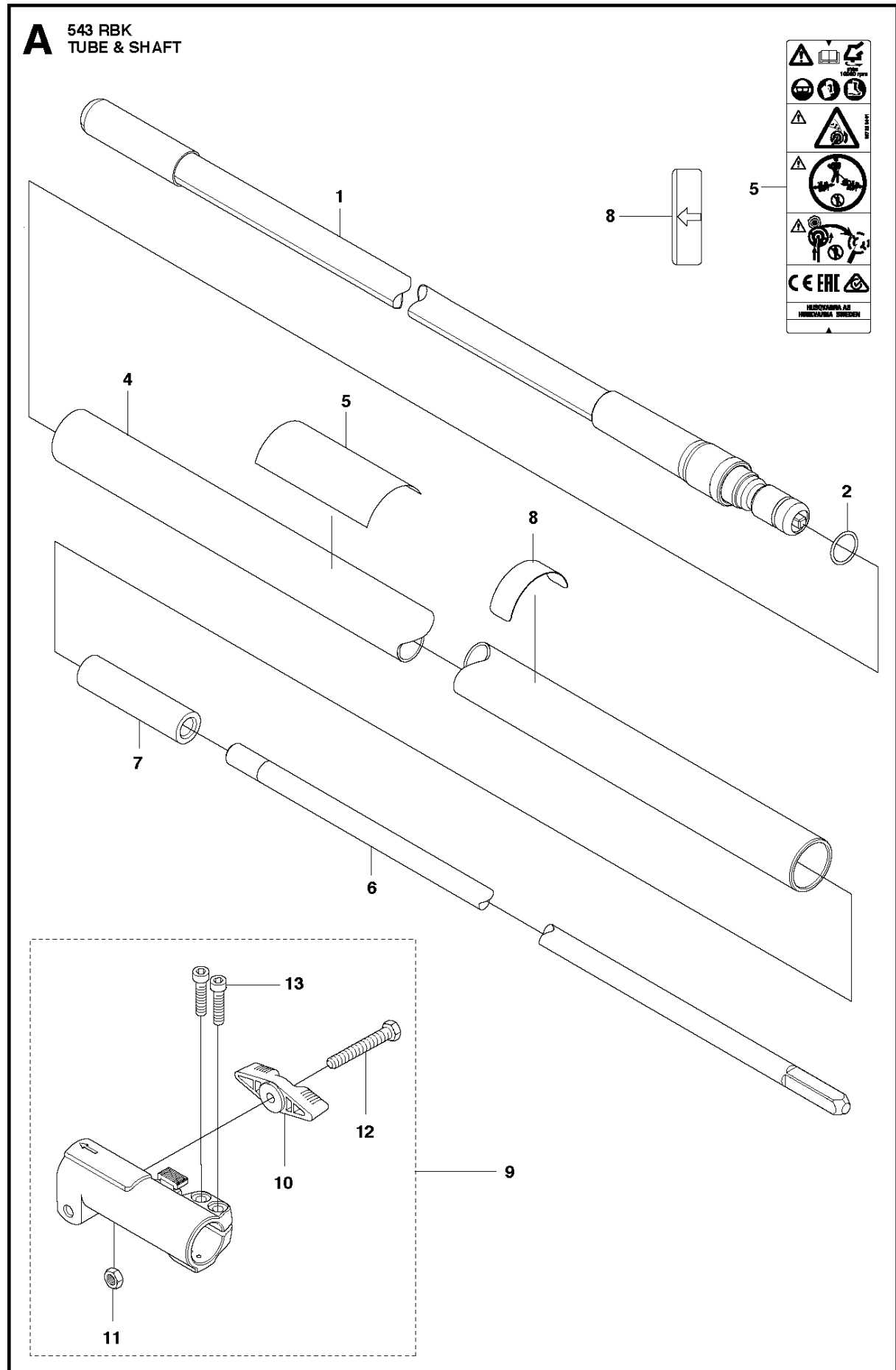




SPARE PARTS LIST

BRUSHCUTTERS/CLEARING SAWS

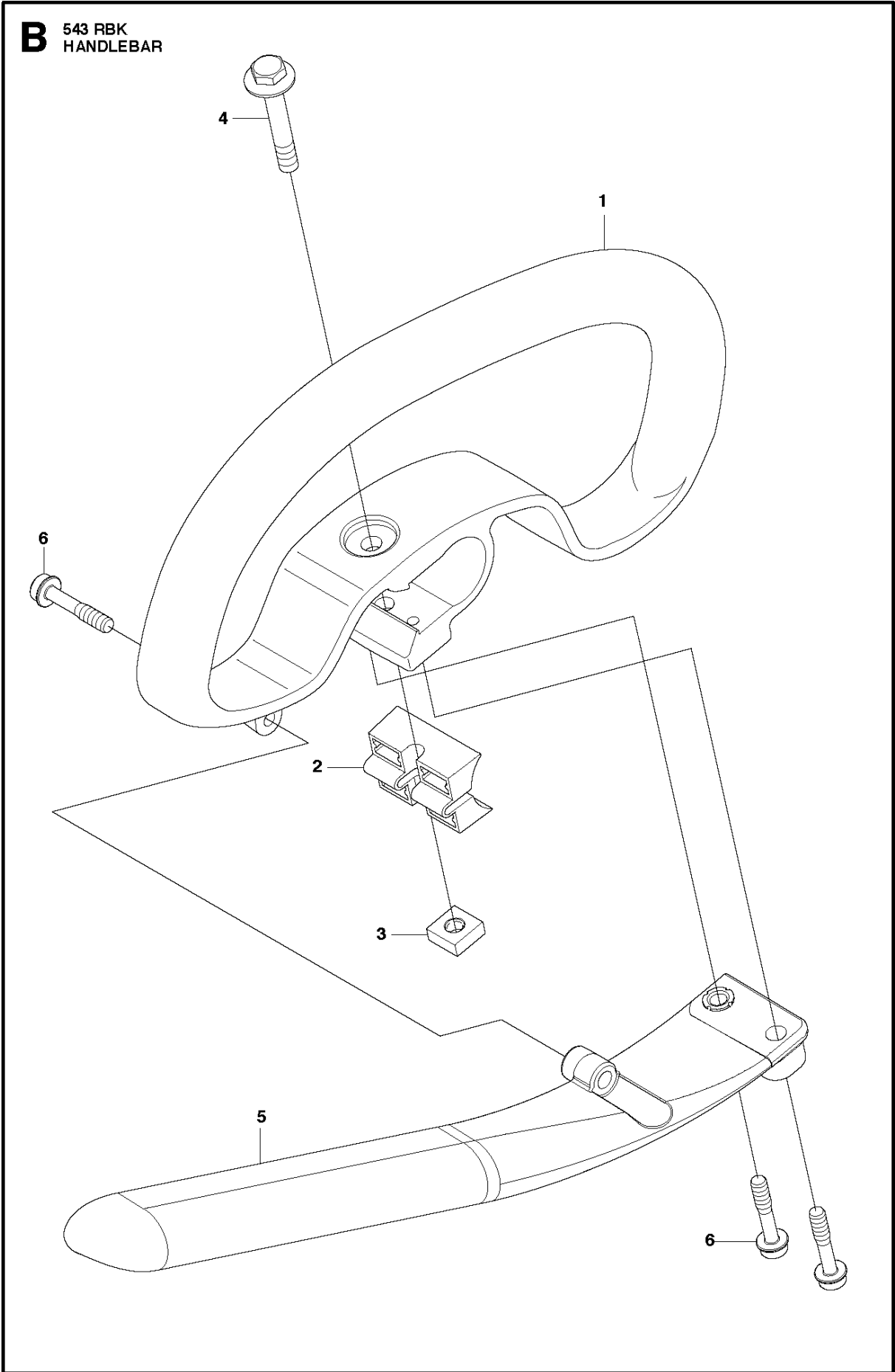
543 RBK, 20182200001-Current



TUBE

543 RBK, 20182200001-Current

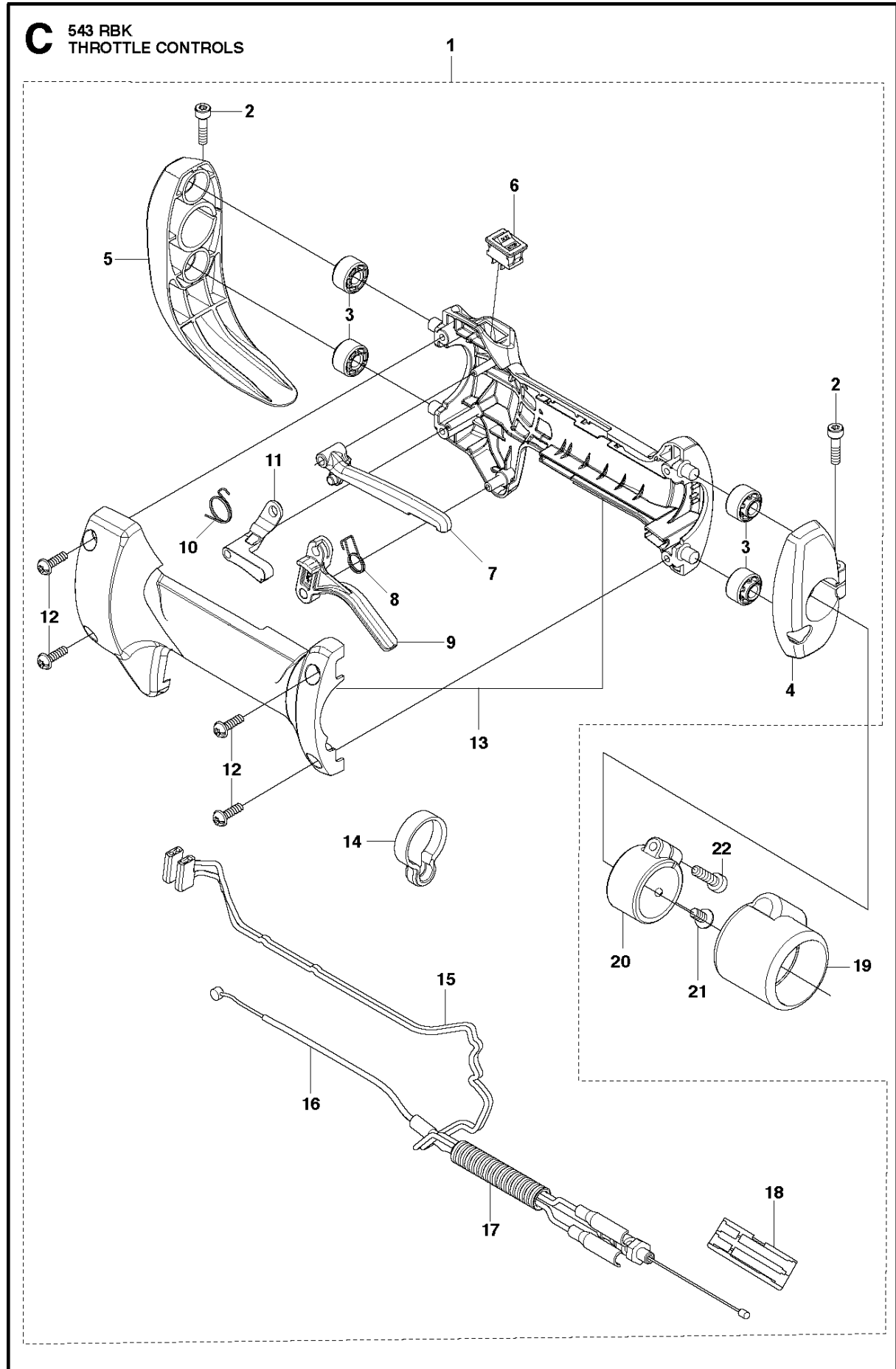
| Ref | Part No | Description | Remark | QTY | KIT |
|-----|--------------|----------------------|--------|-----|-----|
| 1 | 574 50 94-01 | SHAFT FLEXIBLE | | 1 | |
| 2 | 516 13 65-01 | O-RING | | 1 | |
| 4 | 580 89 03-01 | PIPE | | 1 | |
| 5 | 587 22 84-01 | LABEL | | 1 | |
| 6 | 580 89 06-01 | DRIVE SHAFT | | 1 | |
| 7 | 574 50 90-01 | SHAFT EXTENSION | | 1 | |
| 8 | 505 29 58-01 | LABEL | | 1 | |
| 9 | 577 60 30-01 | CLAMPING SLEEVE ASSY | | 1 | |
| 10 | 544 89 01-01 | TURNING KNOB | | 1 | 9 |
| 11 | 731 23 16-01 | HEXAGON NUT | | 1 | 9 |
| 12 | 725 23 78-51 | SCREW EHHM | | 1 | 9 |
| 13 | 725 53 33-65 | SCREW IHSCM | | 2 | 9 |



HANDLE

543 RBK, 20182200001-Current

| Ref | Part No | Description | Remark | QTY KIT |
|-----|--------------|---------------|--------|---------|
| 1 | 544 10 10-04 | HANDLE.LOOP | | 1 |
| 2 | 544 10 11-01 | BLOCK.SPACING | | 1 |
| 3 | 502 19 71-01 | SQUARE NUT | | 1 |
| 4 | 529 26 84-01 | BOLT | | 1 |
| 5 | 503 99 78-04 | HANDLE | | 1 |
| 6 | 574 18 15-01 | SCREW IHSCFTO | | 3 |

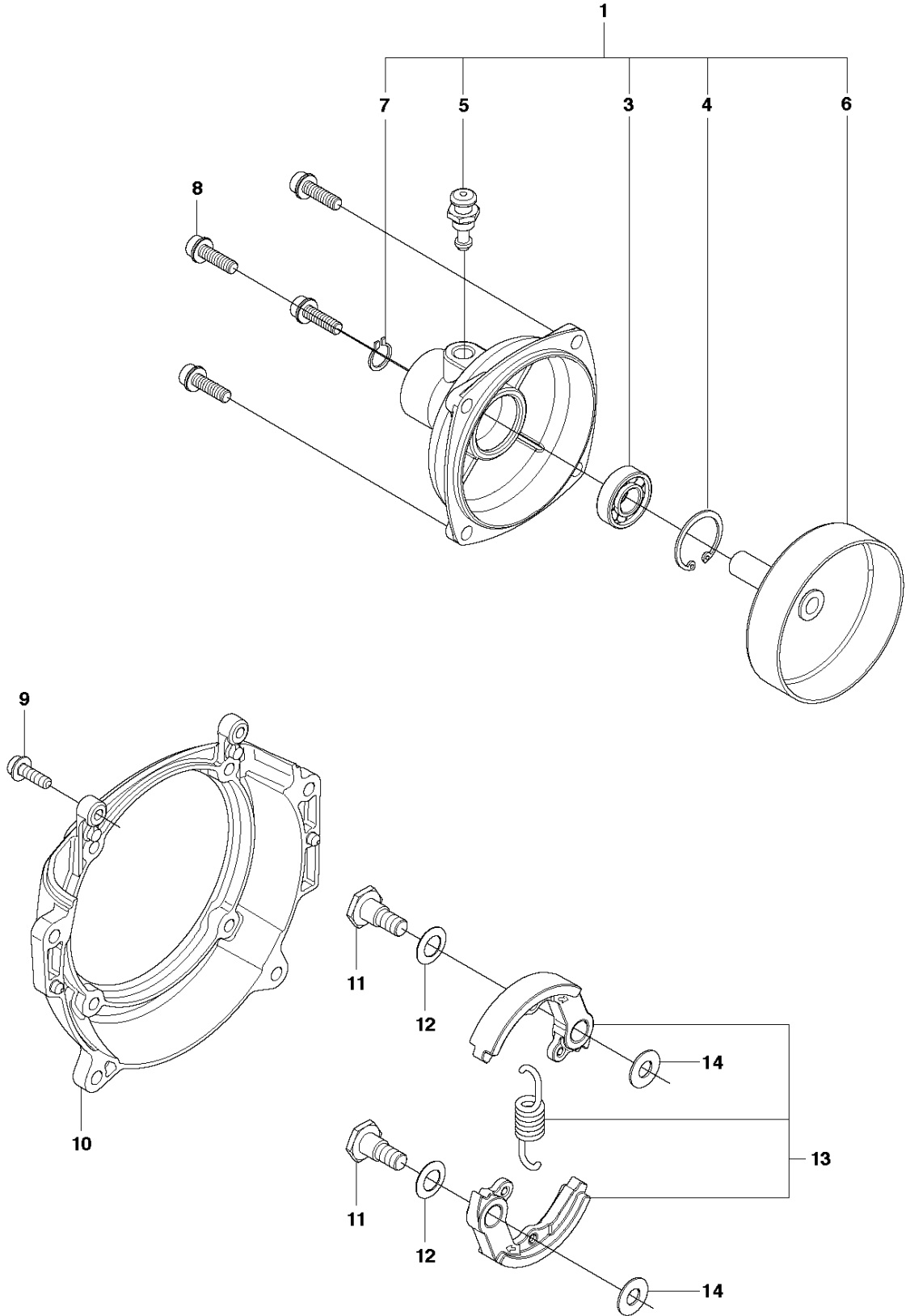


THROTTLE CONTROLS

543 RBK, 20182200001-Current

| Ref | Part No | Description | Remark | QTY | KIT |
|-----|--------------|-------------|--------|-----|-----|
| 1 | 574 73 51-03 | GRIP | | 1 | |
| 2 | 504 11 43-01 | SCREW | | 2 | 1 |
| 3 | 521 66 77-01 | ABSORBER | | 4 | 1 |
| 4 | 529 25 87-01 | HOLDER | | 1 | 1 |
| 5 | 574 50 93-01 | GUARD | | 1 | 1 |
| 6 | 521 85 16-01 | SWITCH | | 1 | 1 |
| 7 | 593 04 42-01 | LEVER | | 1 | 1 |
| 8 | 521 66 72-01 | SPRING | | 1 | 1 |
| 9 | 573 97 71-01 | LEVER | | 1 | 1 |
| 10 | 511 59 18-01 | SPRING | | 1 | 1 |
| 11 | 529 25 92-01 | LEVER,JOINT | | 1 | 1 |
| 12 | 521 51 79-01 | SCREW | | 4 | 1 |
| 13 | 584 83 96-02 | GRIP | | 1 | 1 |
| 14 | 521 53 93-01 | CLAMP | | 3 | 1 |
| 15 | 521 52 58-01 | CORD | | 2 | 1 |
| 16 | 574 27 05-01 | CABLE | | 1 | 1 |
| 17 | 521 52 47-01 | TUBE | | 1 | 1 |
| 18 | 521 52 86-01 | JOINT | | 1 | |
| 19 | 574 50 92-01 | COVER | | 1 | |
| 20 | 574 50 91-01 | CLAMP | | 1 | |
| 21 | 521 51 52-01 | SCREW | | 1 | |
| 22 | 506 68 90-01 | BOLT | | 1 | |

D 543 RBK
CLUTCH

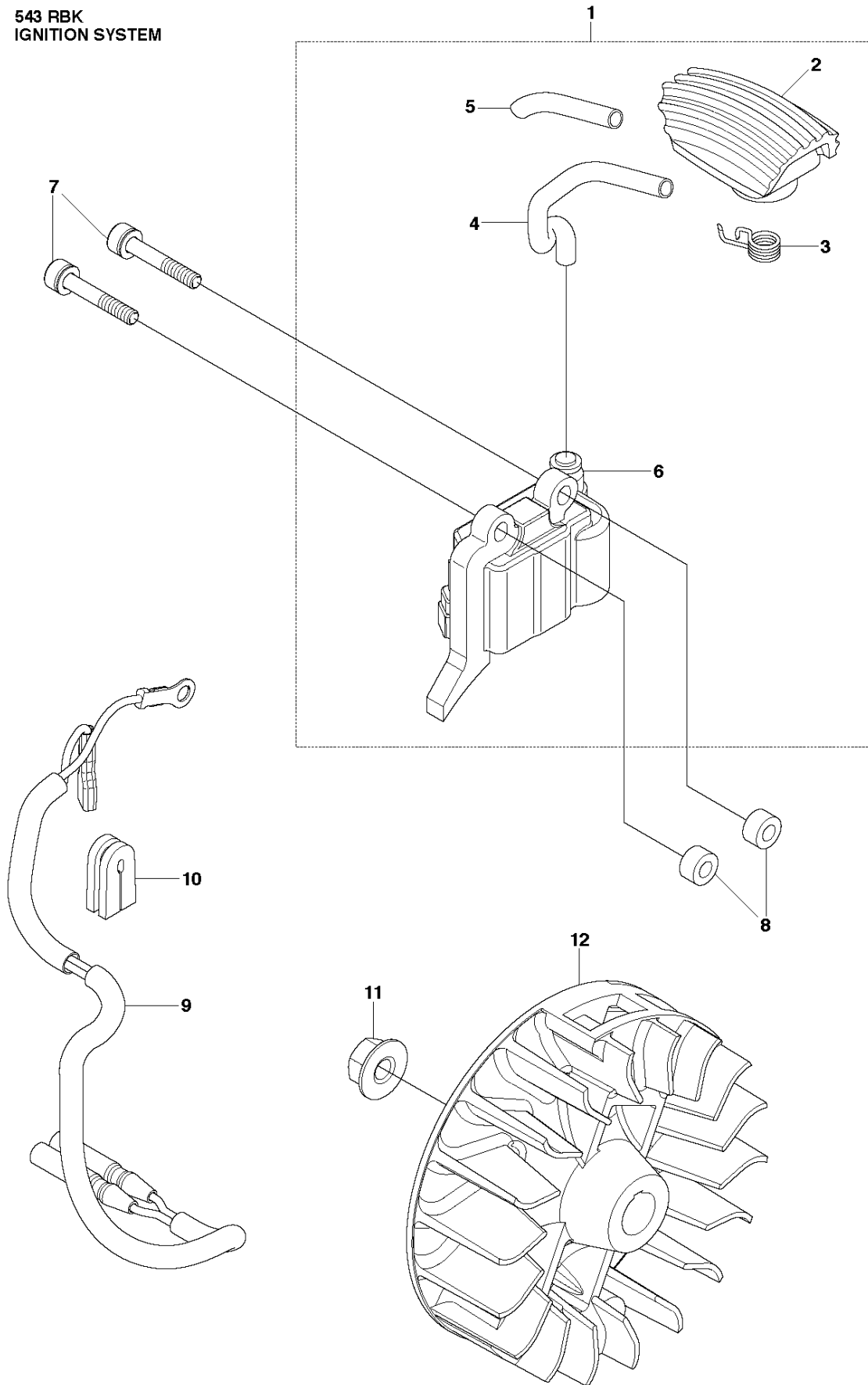


CLUTCH

543 RBK, 20182200001-Current

| Ref | Part No | Description | Remark | QTY | KIT |
|-----|--------------|--------------|--------|-----|-----|
| 1 | 576 20 36-01 | HOUSING ASSY | | 1 | |
| 3 | 529 26 98-01 | BEARING | | 1 | 1 |
| 4 | 506 60 99-01 | SNAP RING | | 1 | 1 |
| 5 | 521 60 23-01 | STOPPER-COMP | | 1 | 1 |
| 6 | 591 44 36-01 | DRUM | | 1 | 1 |
| 7 | 516 12 41-01 | SNAP RING | | 1 | 1 |
| 8 | 523 01 90-01 | BOLT | | 4 | |
| 9 | 515 39 13-01 | BOLT | | 4 | |
| 10 | 592 87 49-03 | FAN COVER | | 1 | |
| 11 | 505 29 78-01 | SCREW | | 2 | |
| 12 | 505 29 81-01 | WASHER | | 2 | |
| 13 | 521 63 64-01 | SHOE | | 1 | |
| 14 | 505 29 80-01 | WASHER | | 2 | |

E 543 RBK
IGNITION SYSTEM

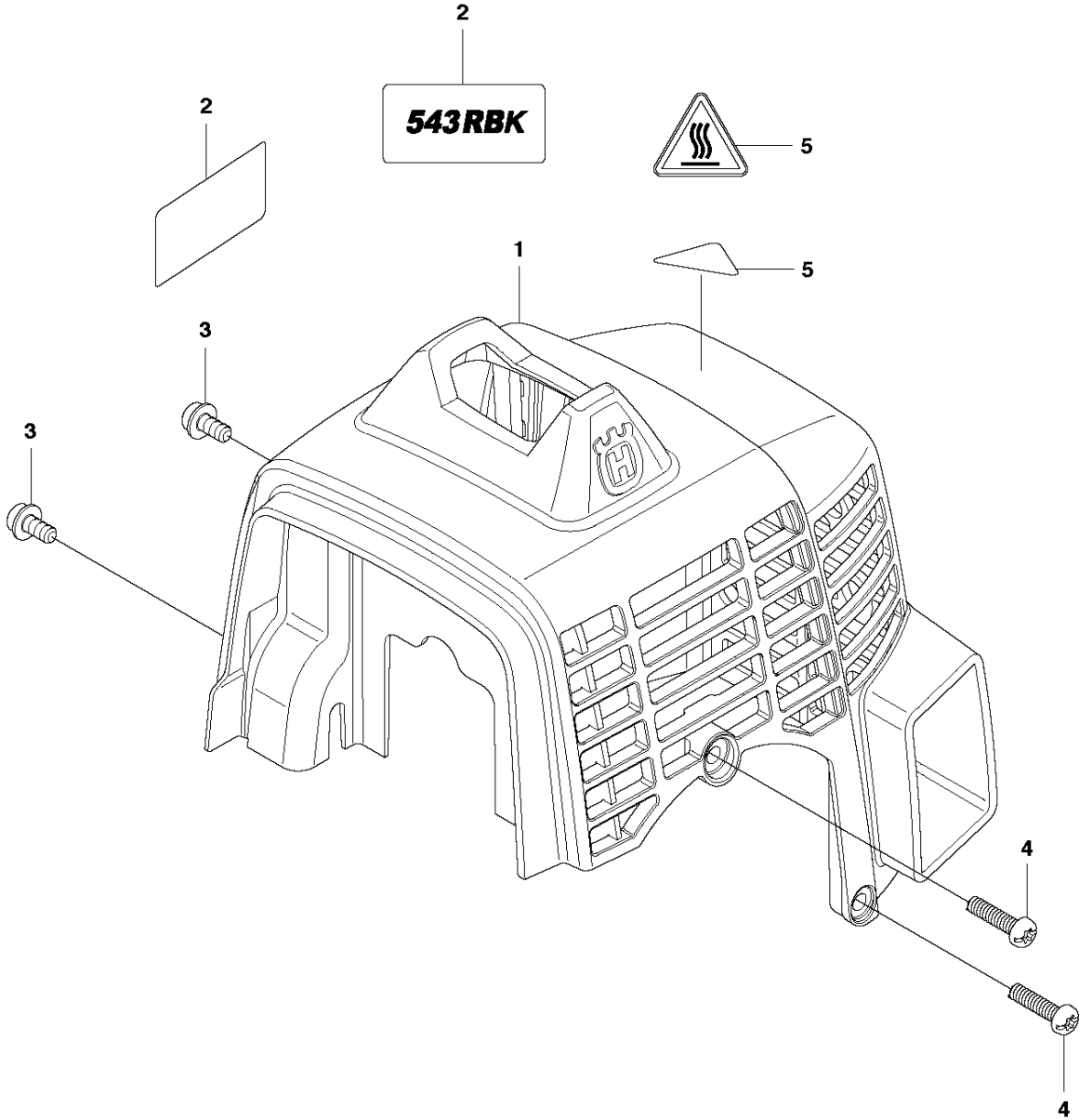


IGNITION SYSTEM

543 RBK, 20182200001-Current

| Ref | Part No | Description | Remark | QTY | KIT |
|-----|--------------|----------------------|--------|-----|-----|
| 1 | 577 13 39-03 | IGNITION MODULE ASSY | | 1 | |
| 2 | 521 61 00-01 | HUB CAP | | 1 | 1 |
| 3 | 506 65 52-01 | SPRING | | 1 | 1 |
| 4 | 585 09 47-01 | IGNITION CABLE | | 1 | 1 |
| 5 | 579 45 36-01 | TUBE | | 1 | 1 |
| 6 | 505 04 28-01 | HUB CAP | | 1 | 1 |
| 7 | 521 51 58-01 | BOLT | | 2 | |
| 8 | 588 17 14-01 | SPACER | | 2 | |
| 9 | 577 57 49-01 | CORD | | 1 | |
| 10 | 506 61 59-01 | GROMMET | | 1 | |
| 11 | 504 11 80-01 | NUT | | 1 | |
| 12 | 583 91 89-01 | FLYWHEEL | | 1 | |

F 543 RBK
CYLINDER COVER

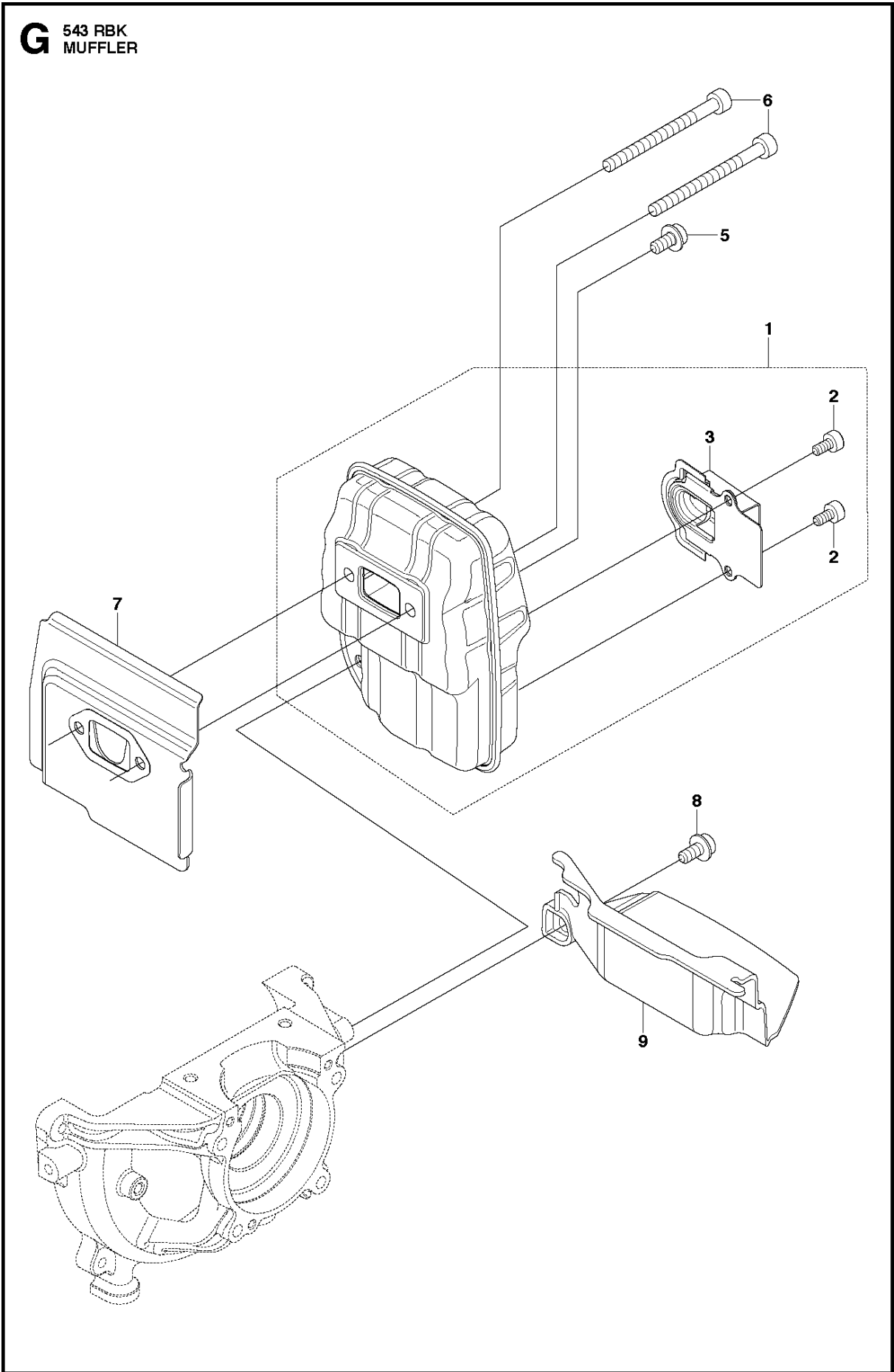


CYLINDER COVER

543 RBK, 20182200001-Current

| Ref | Part No | Description | Remark | QTY KIT |
|-----|--------------|-------------|--------|---------|
| 1 | 579 34 95-01 | COVER | | 1 |
| 2 | 581 57 51-01 | DECAL | | 1 |
| 3 | 521 51 59-01 | BOLT | | 2 |
| 4 | 521 86 36-01 | SCREW | | 2 |
| 5 | 521 55 36-01 | LABEL | | 1 |

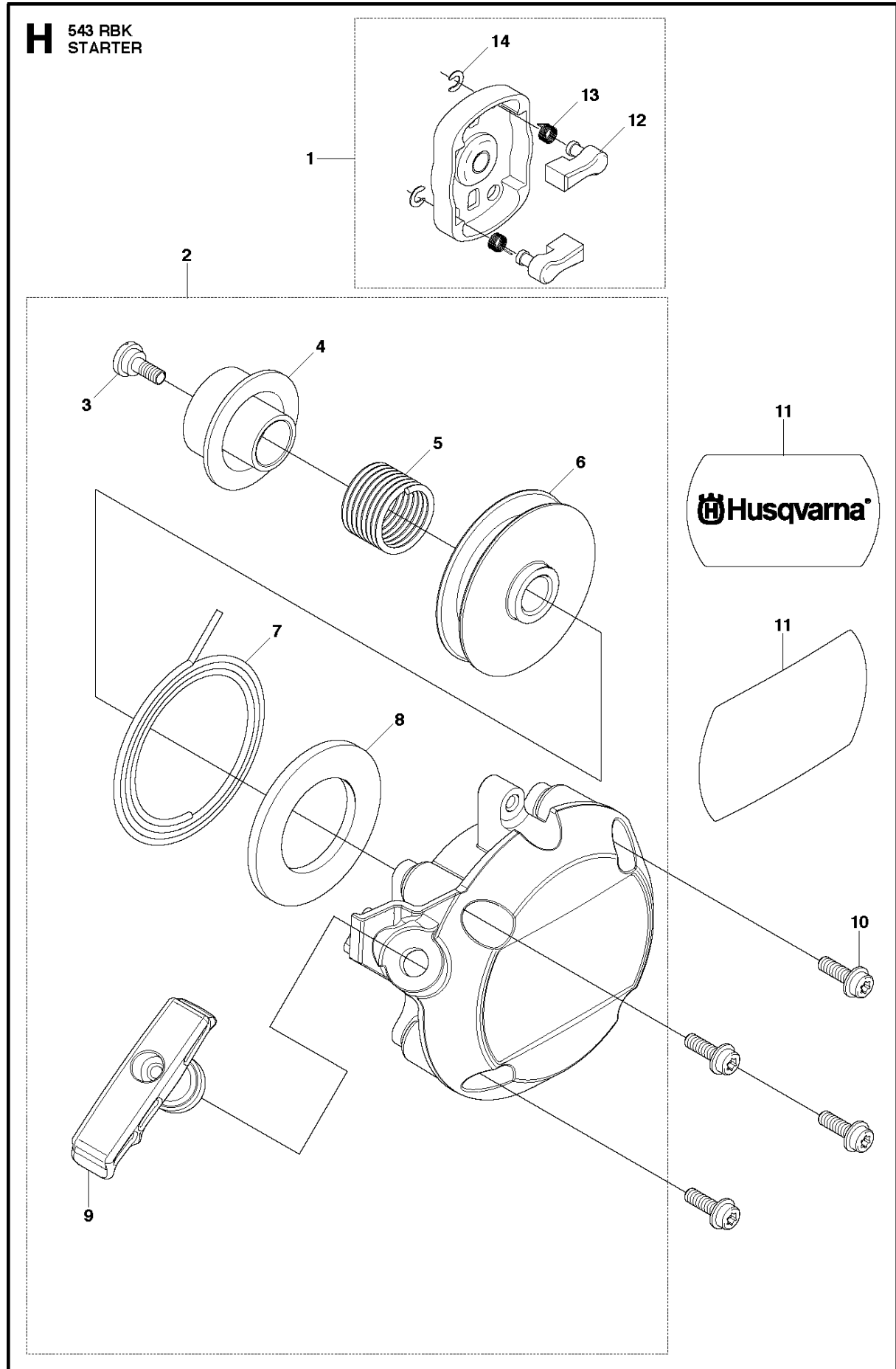
G 543 RBK
MUFFLER



MUFFLER

543 RBK, 20182200001-Current

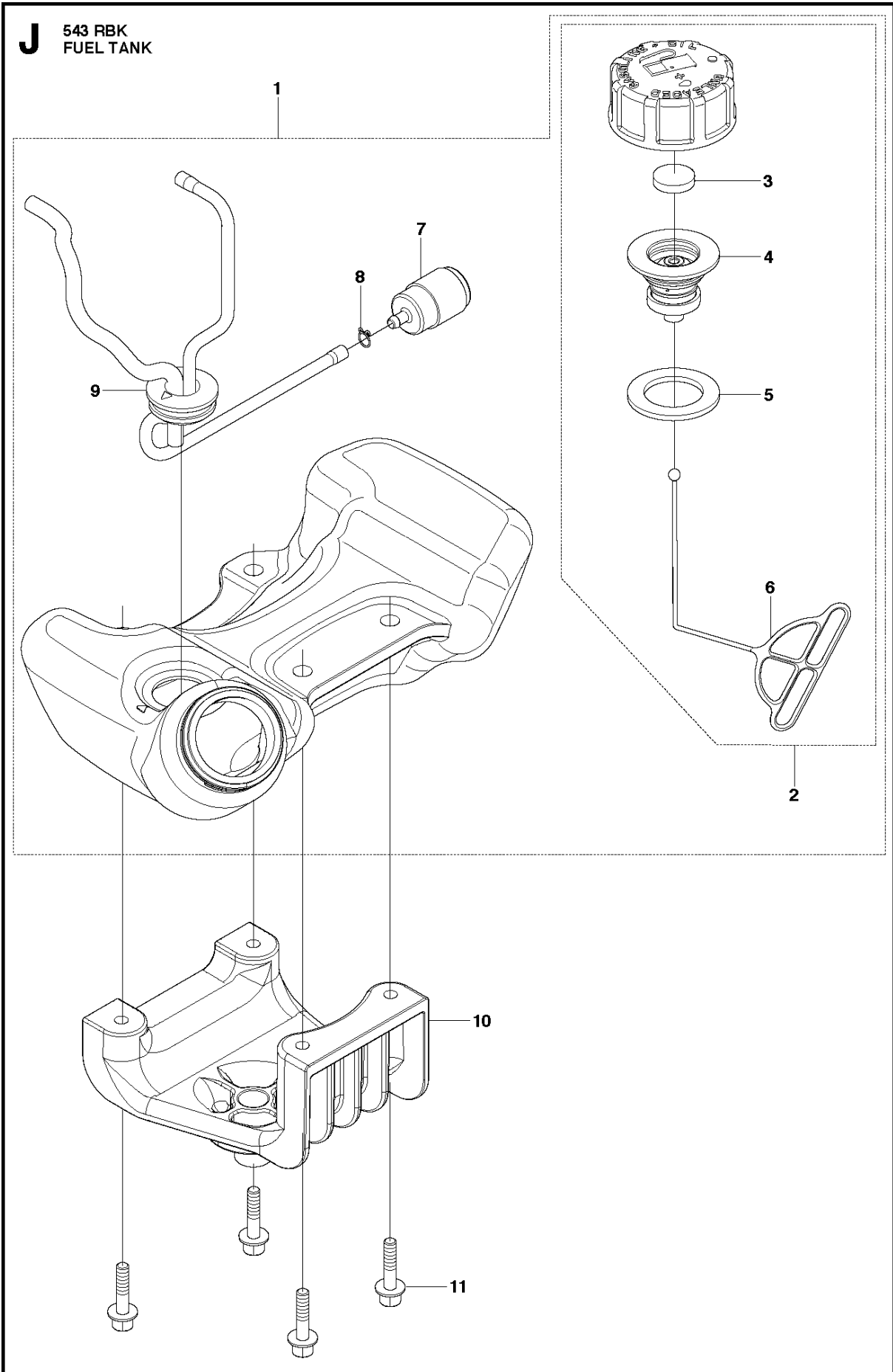
| Ref | Part No | Description | Remark | QTY | KIT |
|-----|--------------|---------------|--------|-----|-----|
| 1 | 577 98 03-01 | MUFFLER | | 1 | |
| 2 | 544 36 27-01 | BOLT | | 2 | 1 |
| 3 | 521 62 34-01 | GUIDE | | 1 | 1 |
| 5 | 521 51 59-01 | BOLT | | 1 | |
| 6 | 504 11 43-01 | SCREW | | 2 | |
| 7 | 577 80 41-01 | GASKET | | 1 | |
| 8 | 521 51 59-01 | BOLT | | 1 | |
| 9 | 586 34 84-01 | MUFFLER GUARD | | 1 | |



STARTER

543 RBK, 20182200001-Current

| Ref | Part No | Description | Remark | QTY | KIT |
|-----|--------------|---------------|--------|-----|-----|
| 1 | 521 62 46-01 | PULEY-ASSY | | 1 | |
| 2 | 528 70 62-01 | STARTER ASSY | | 1 | |
| 3 | 515 36 71-01 | SCREW | | 1 | 2 |
| 4 | 521 61 85-01 | PLATE | | 1 | 2 |
| 5 | 521 61 84-01 | SPRING | | 1 | 2 |
| 6 | 521 61 83-01 | REEL | | 1 | 2 |
| 7 | 521 53 17-01 | ROPE | | 1 | 2 |
| 8 | 584 85 97-01 | SPIRAL SPRING | | 1 | 2 |
| 9 | 521 61 79-01 | KNOB | | 1 | 2 |
| 10 | 506 74 56-01 | BOLT | | 4 | |
| 11 | 579 63 70-01 | DECAL | | 1 | |
| 12 | 521 61 86-01 | RATCHET | | 2 | 1 |
| 13 | 521 61 87-01 | SPRING | | 2 | 1 |
| 14 | 513 16 77-01 | E-RING | | 2 | 1 |

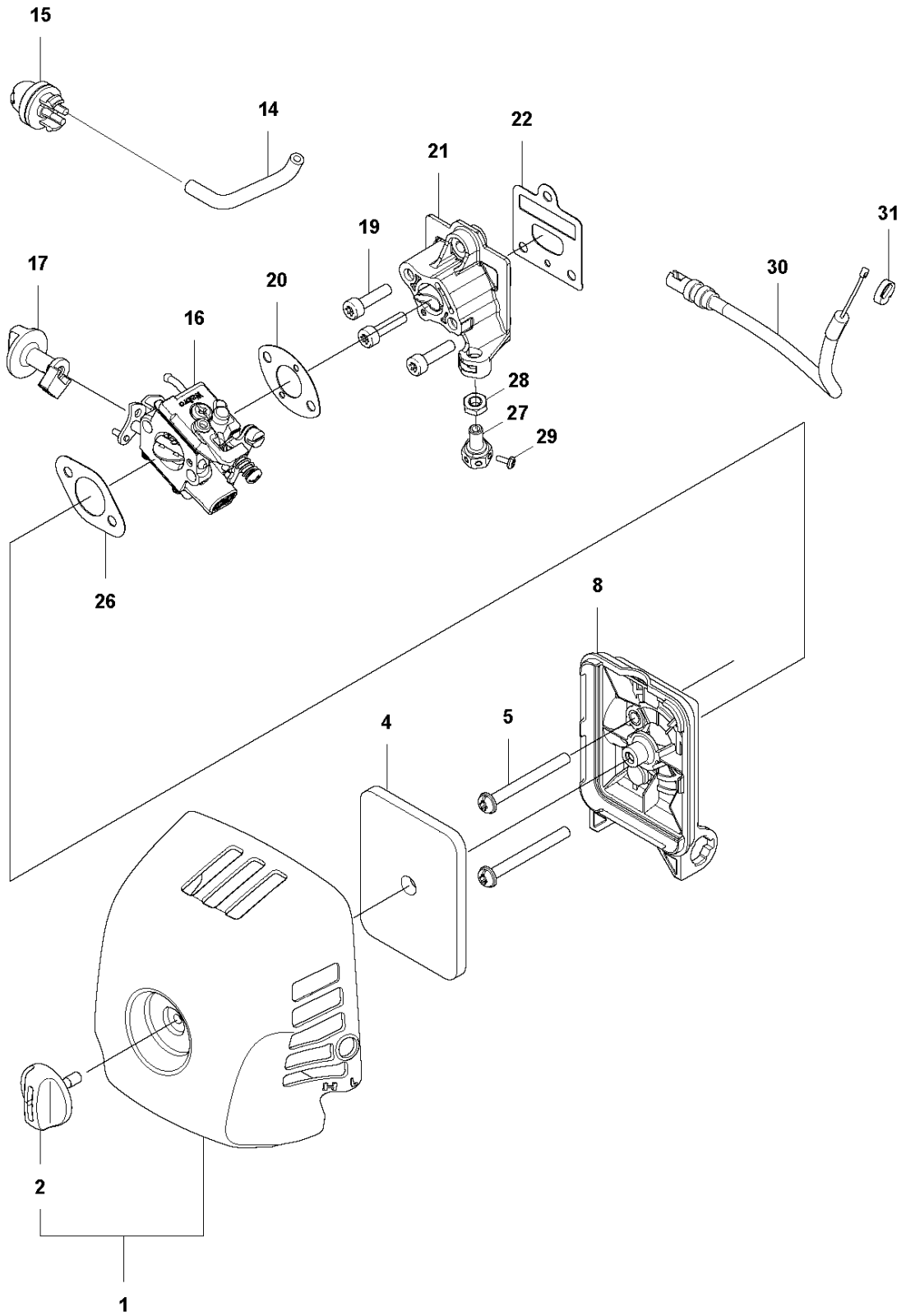


FUEL TANK

543 RBK, 20182200001-Current

| Ref | Part No | Description | Remark | QTY | KIT |
|-----|--------------|---------------|--------|-----|-----|
| 1 | 577 50 98-06 | TANK | | 1 | |
| 2 | 504 11 77-01 | TANK CAP ASSY | | 1 | 1 |
| 3 | 506 74 68-01 | FILTER | | 1 | 1,2 |
| 4 | 515 36 94-01 | HOLDER | | 1 | 1,2 |
| 5 | 506 74 43-01 | PACKING | | 1 | 1,2 |
| 6 | 504 11 79-01 | HOLDER | | 1 | 1,2 |
| 7 | 506 61 46-01 | FILTER | | 1 | 1 |
| 8 | 506 70 70-01 | CLIP | | 1 | 1 |
| 9 | 577 50 99-02 | PIPE | | 1 | 1 |
| 10 | 578 42 87-01 | BRACKET | | 1 | |
| 11 | 521 51 69-01 | BOLT | | 4 | |

K 543 RBK
CARBURETOR & AIRFILTER

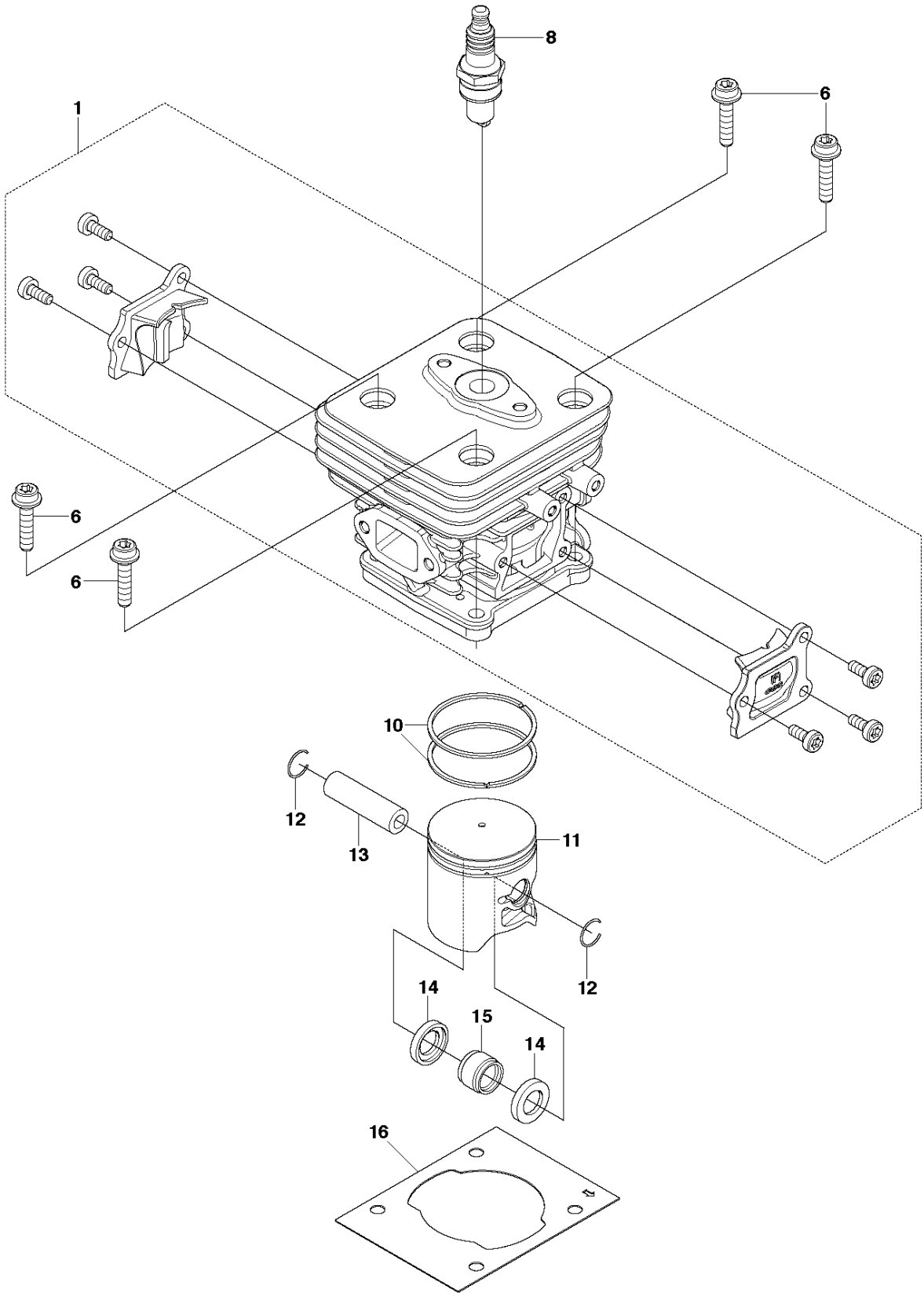


CARBURETOR & AIR FILTER

543 RBK, 20182200001-Current

| Ref | Part No | Description | Remark | QTY | KIT |
|-----|--------------|------------------|--------|-----|-----|
| 1 | 577 98 00-02 | AIR FILTER COVER | | 1 | |
| 2 | 577 97 98-01 | TURNING KNOB | | 1 | 1 |
| 4 | 577 92 67-01 | AIR FILTER | | 1 | |
| 5 | 521 51 55-01 | SCREW | | 2 | |
| 8 | 576 68 55-01 | FILTER HOUSING | | 1 | |
| 14 | 577 50 95-01 | TUBE | | 1 | |
| 15 | 513 78 93-01 | PUMP | | 1 | |
| 16 | 577 99 28-05 | CARBURETTOR | | 1 | |
| 17 | 577 13 31-01 | CHOKE CONTROL | | 1 | |
| 19 | 506 68 90-01 | BOLT | | 3 | |
| 20 | 577 67 38-01 | GASKET | | 1 | |
| 21 | 576 68 58-01 | INSULATOR | | 1 | |
| 22 | 585 99 66-01 | GASKET | | 2 | |
| 26 | 577 88 24-02 | GASKET | | 1 | |
| 27 | 580 41 67-01 | SCREW | | 1 | |
| 28 | 510 48 74-01 | NUT | | 1 | |
| 29 | 505 30 83-01 | SCREW | | 1 | |
| 30 | 521 52 84-01 | JOINT | | 1 | |
| 31 | 513 35 24-01 | HUB CAP | | 1 | |

L 543 RBK
CYLINDER & PISTON

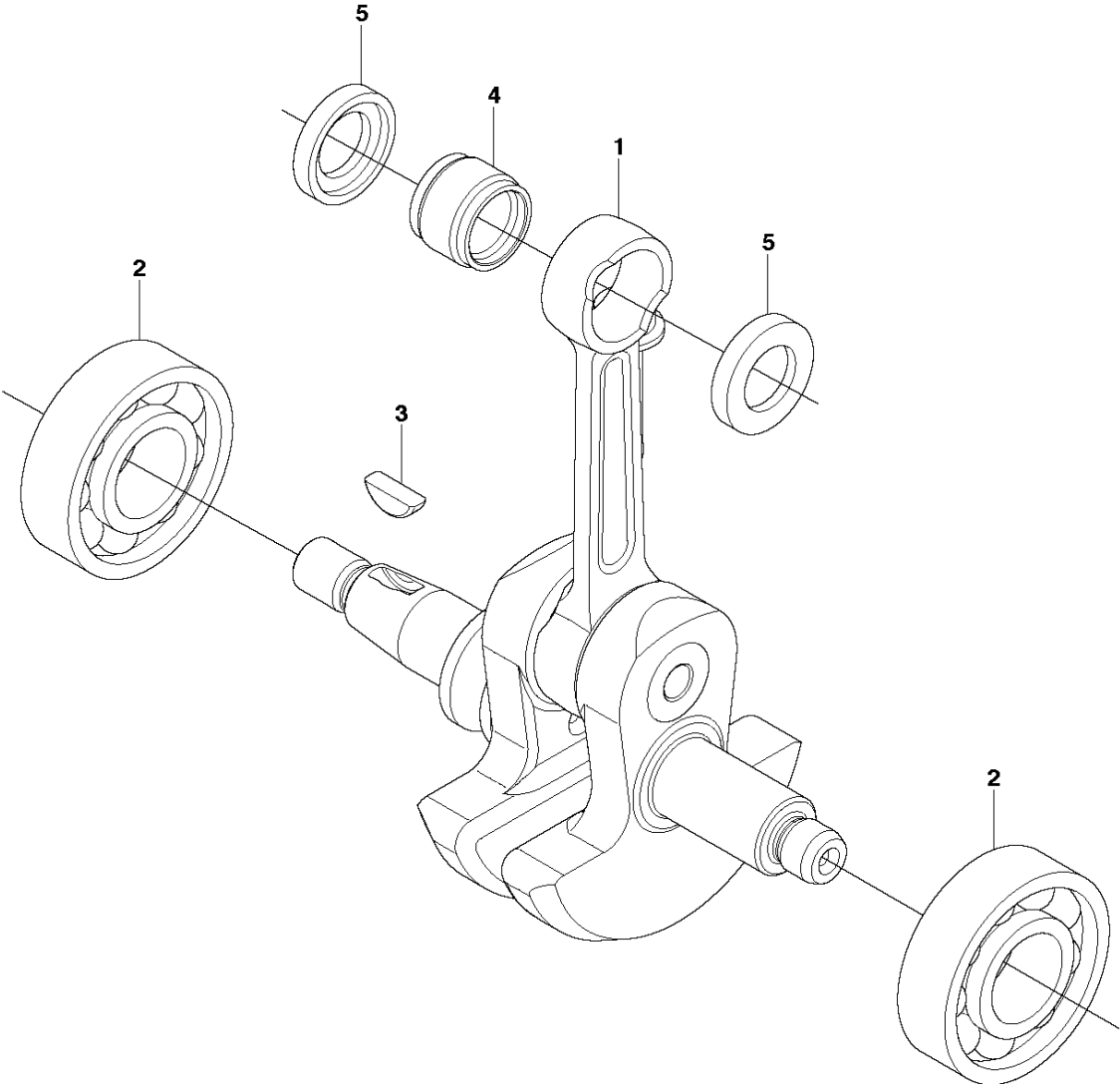


CYLINDER

543 RBK, 20182200001-Current

| Ref | Part No | Description | Remark | QTY KIT |
|-----|--------------|-------------|--------|---------|
| 1 | 577 40 95-02 | CYLINDER | | 1 |
| 6 | 506 74 52-01 | BOLT | | 4 |
| 8 | 528 07 40-01 | SPARK PLUG | | 1 |
| 10 | 510 91 80-01 | PISTON RING | | 2 |
| 11 | 577 63 98-01 | PISTON | | 1 |
| 12 | 516 28 30-01 | RING | | 2 |
| 13 | 521 52 27-01 | PEN | | 1 |
| 14 | 513 75 24-01 | WASHER | | 2 |
| 15 | 505 29 73-01 | BEARING | | 1 |
| 16 | 521 62 20-01 | GASKET | | 1 |

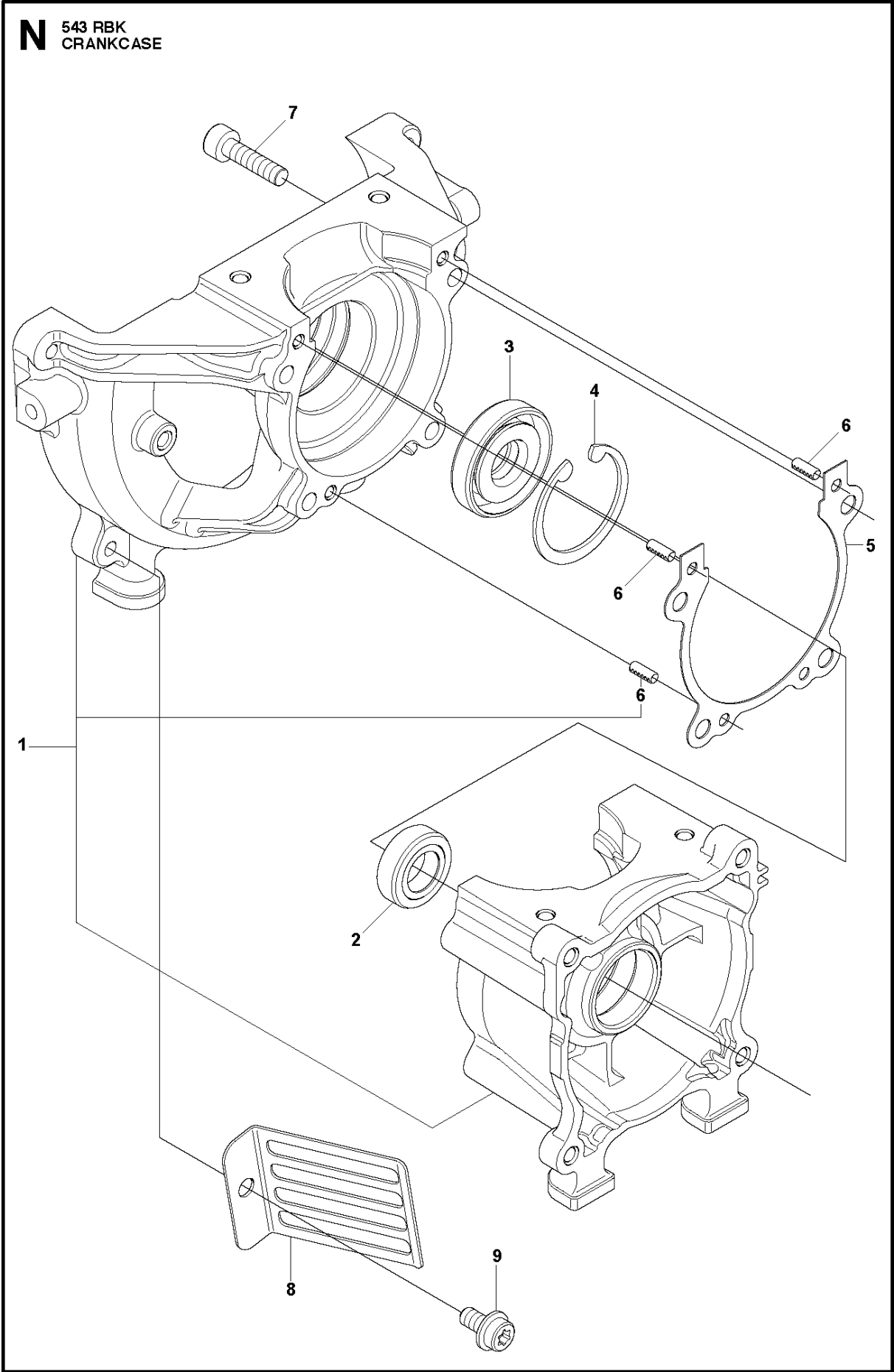
M 543 RBK
CRANK SHAFT



CRANKSHAFT

543 RBK, 20182200001-Current

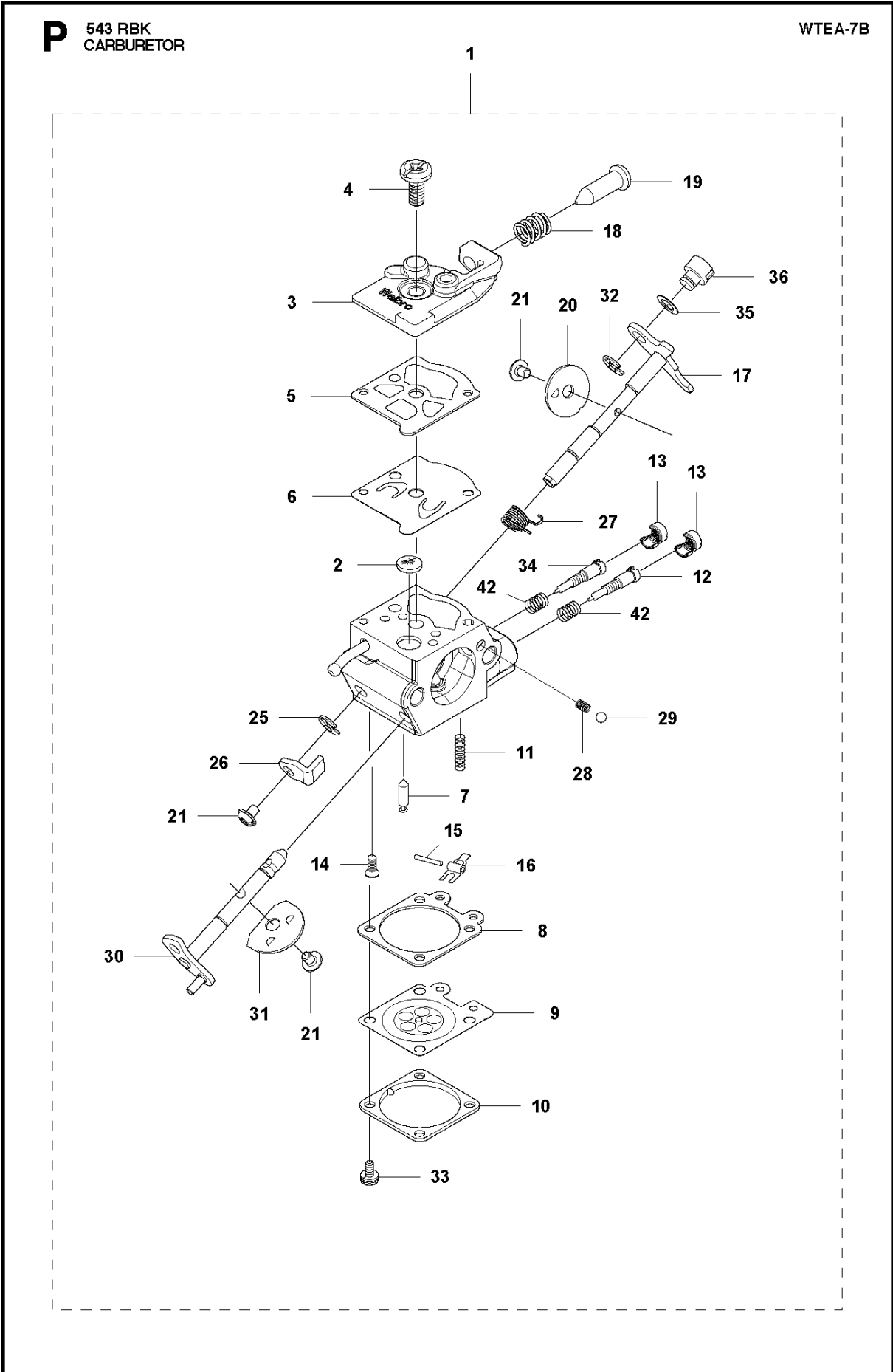
| Ref | Part No | Description | Remark | QTY KIT |
|-----|--------------|-------------|--------|---------|
| 1 | 521 62 39-01 | SHAFT-COMP | | 1 |
| 2 | 504 12 14-01 | BEARING | | 2 |
| 3 | 506 68 94-01 | KEY | | 1 |
| 4 | 505 29 73-01 | BEARING | | 1 |
| 5 | 513 75 24-01 | WASHER | | 2 |



CRANKCASE

543 RBK, 20182200001-Current

| Ref | Part No | Description | Remark | QTY | KIT |
|-----|--------------|-------------|--------|-----|-----|
| 1 | 521 62 35-04 | CASE | | 1 | |
| 2 | 504 12 15-01 | SEALING | | 1 | |
| 3 | 505 29 67-01 | SEAL | | 1 | |
| 4 | 504 12 10-01 | SNAP RING | | 1 | |
| 5 | 521 62 36-01 | GASKET | | 1 | |
| 6 | 505 29 61-01 | PIN | | 3 | 1 |
| 7 | 577 94 20-01 | BOLT | | 4 | |
| 8 | 515 41 26-01 | GUARD | | 1 | |
| 9 | 521 51 59-01 | BOLT | | 1 | |

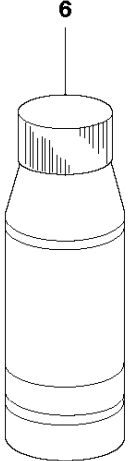
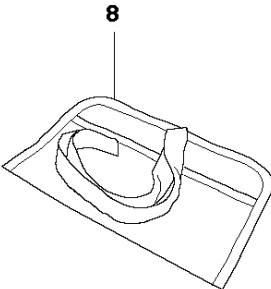
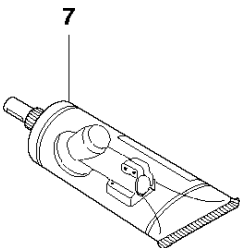
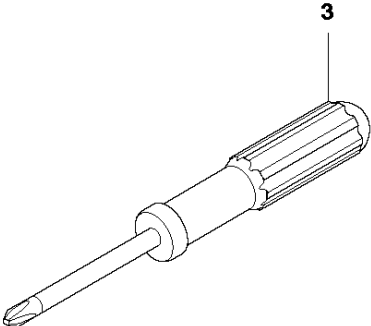
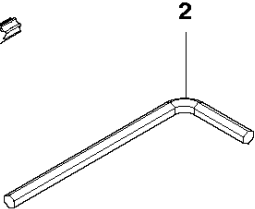
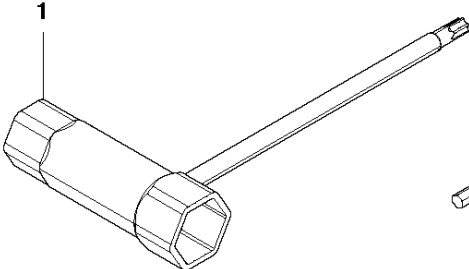


CARBURETOR

543 RBK, 20182200001-Current

| Ref | Part No | Description | Remark | QTY KIT | |
|-----|--------------|----------------|---------|---------|---|
| 1 | 577 99 28-05 | CARBURETTOR | WTEA-7B | 1 | |
| 2 | 520 95 70-01 | SCREEN | | 1 | 1 |
| 3 | 577 80 69-01 | COVER | | 1 | 1 |
| 4 | 520 97 63-01 | SCREW | | 1 | 1 |
| 5 | 520 95 48-01 | GASKET | | 1 | 1 |
| 6 | 520 95 49-01 | DIAPHRAGM | | 1 | 1 |
| 7 | 521 08 54-01 | VALVE.INLET | | 1 | 1 |
| 8 | 516 97 21-01 | GASKET | | 1 | 1 |
| 9 | 577 80 70-01 | DIAPHRAGM | | 1 | 1 |
| 10 | 514 18 92-01 | COVER | | 1 | 1 |
| 11 | 578 89 54-01 | SPRING | | 1 | 1 |
| 12 | 578 91 31-01 | NEEDLE | | 1 | 1 |
| 13 | 578 91 30-01 | CAP | | 2 | 1 |
| 14 | 577 80 71-01 | SCREW | | 1 | 1 |
| 15 | 520 97 74-01 | PIN | | 1 | 1 |
| 16 | 577 80 72-01 | LEVER | | 1 | 1 |
| 17 | 578 89 55-01 | SHAFT | | 1 | 1 |
| 18 | 513 59 32-01 | SPRING | | 1 | 1 |
| 19 | 577 81 57-01 | SCREW | | 1 | 1 |
| 20 | 514 25 19-01 | VALVE.THROTTLE | | 1 | 1 |
| 21 | 520 75 98-01 | SCREW | | 3 | 1 |
| 25 | 505 05 65-01 | RING | | 1 | 1 |
| 26 | 577 81 58-01 | LEVER | | 1 | 1 |
| 27 | 577 81 55-01 | SPRING | | 1 | 1 |
| 28 | 514 24 33-01 | SPRING.CHOKE | | 1 | 1 |
| 29 | 514 24 26-01 | BALL | | 1 | 1 |
| 30 | 577 81 64-01 | SHAFT | | 1 | 1 |
| 31 | 579 36 71-01 | VALVE | | 1 | 1 |
| 32 | 506 73 86-01 | RETAINER RING | | 1 | 1 |
| 33 | 520 97 88-01 | SCREW ASSY | | 4 | 1 |
| 34 | 578 91 29-01 | NEEDLE | | 1 | 1 |
| 35 | 516 52 42-01 | WASHER | | 1 | 1 |
| 36 | 513 40 08-01 | SWIVEL | | 1 | 1 |
| 42 | 578 91 28-01 | SPRING | SPRING | 2 | 1 |

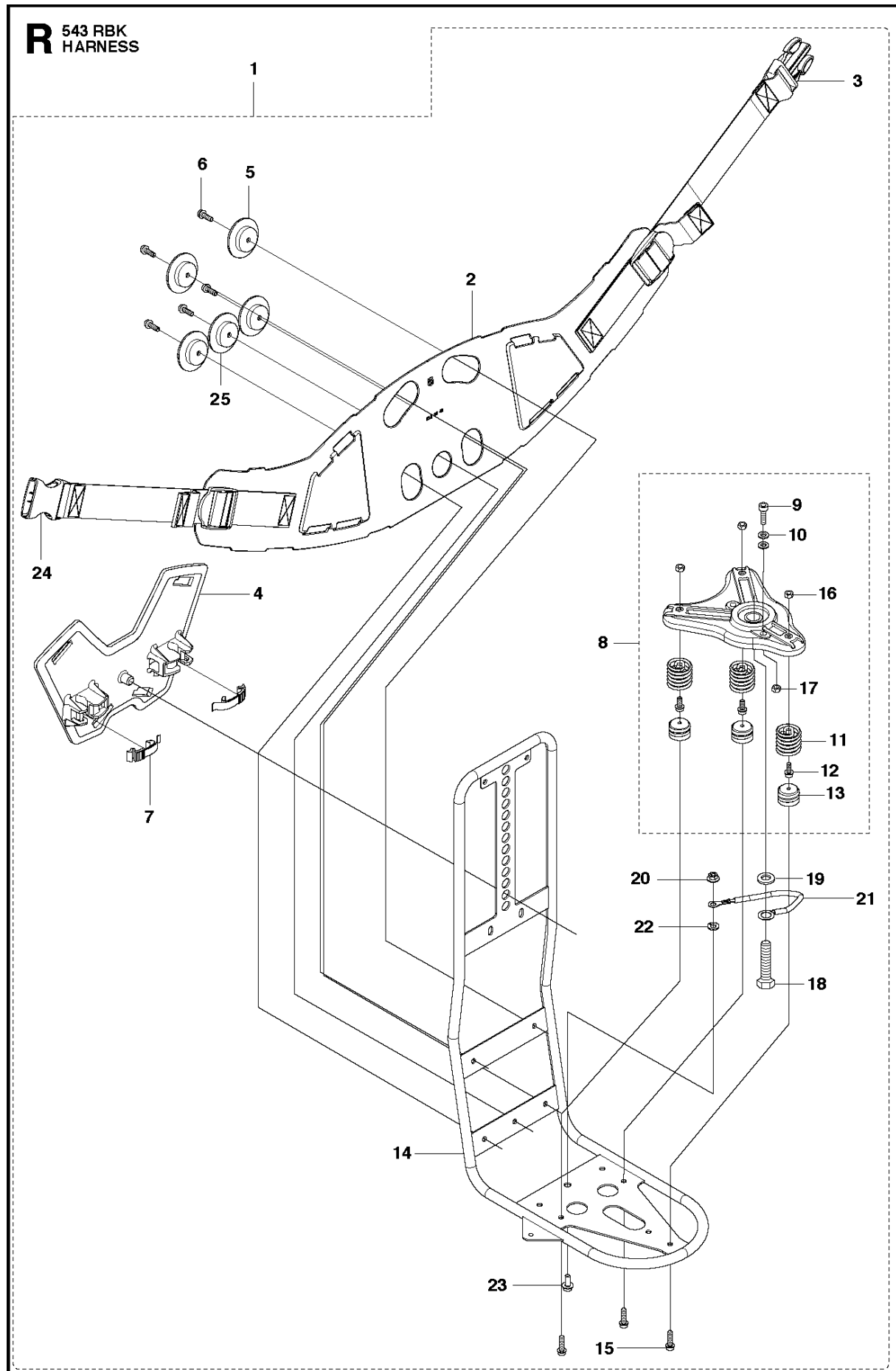
Q 543 RBK
ACCESSORIES



ACCESSORIES

543 RBK, 20182200001-Current

| Ref | Part No | Description | Remark | QTY KIT |
|-----|--------------|--------------------|--------|---------|
| 1 | 506 68 61-01 | COMBINATION WRENCH | | 1 |
| 2 | 505 31 19-01 | WRENCH | | 1 |
| 3 | 506 68 95-01 | DRIVER | | 1 |
| 6 | 531 00 92-48 | FILTER OIL | | 1 |
| 7 | 503 97 64-01 | GREASE | | 1 |
| 8 | 501 19 22-01 | TOOL | | 1 |

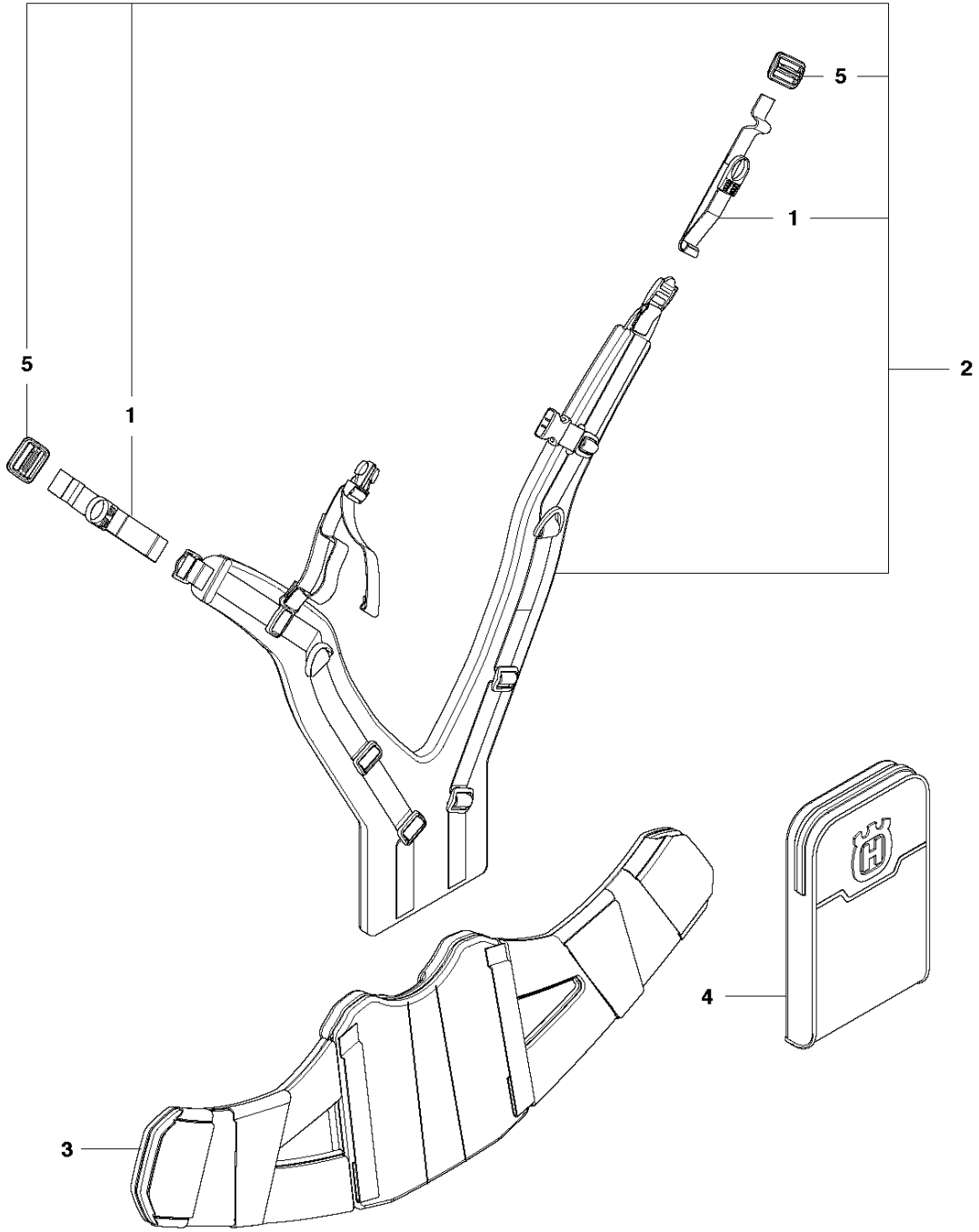


HARNES

543 RBK, 20182200001-Current

| Ref | Part No | Description | Remark | QTY | KIT |
|-----|--------------|---------------|--------|-----|-----|
| 1 | 593 70 02-01 | HARNES ASSY | | 1 | |
| 2 | 522 48 74-01 | WAIST-BELT | | 1 | 1 |
| 3 | 537 30 54-01 | BUCKLE | | 1 | |
| 4 | 521 90 95-01 | BACKPLATE | | 1 | 1 |
| 5 | 521 88 77-01 | GROMMET | | 4 | 1 |
| 6 | 503 20 03-05 | SCREW IHSCFM | | 5 | 1 |
| 7 | 503 74 01-02 | SNAP LOCKING | | 2 | 1 |
| 8 | 522 48 39-02 | HOLDER ASSY | | 1 | 1 |
| 9 | 725 53 70-06 | SCREW IHSCM | | 1 | 1 |
| 10 | 734 11 52-01 | WASHER | | 1 | 1 |
| 11 | 522 02 88-01 | SPRING | | 3 | 1 |
| 12 | 503 20 03-12 | SCREW IHSCFM | | 3 | 1 |
| 13 | 521 91 03-01 | SPRING HOLDER | | 3 | 1 |
| 14 | 510 36 36-02 | FRAME | | 1 | 1 |
| 15 | 503 21 06-19 | SCREW IHSCM | | 3 | 1 |
| 16 | 731 23 14-01 | HEXAGON NUT | | 3 | 1 |
| 17 | 731 23 16-01 | HEXAGON NUT | | 1 | 1 |
| 18 | 516 06 72-01 | BOLT | | 1 | 1 |
| 19 | 516 07 89-01 | WASHER | | 1 | 1 |
| 20 | 513 35 53-01 | NUT | | 1 | 1 |
| 21 | 583 97 67-01 | CABLE | | 1 | 1 |
| 22 | 510 48 80-01 | WASHER | | 1 | 1 |
| 23 | 521 51 61-01 | BOLT | | 1 | 1 |
| 24 | 537 30 53-01 | BUCKLE | | 1 | |
| 25 | 577 25 61-01 | GUIDE | | 1 | |

S 543 RBK HARNESS

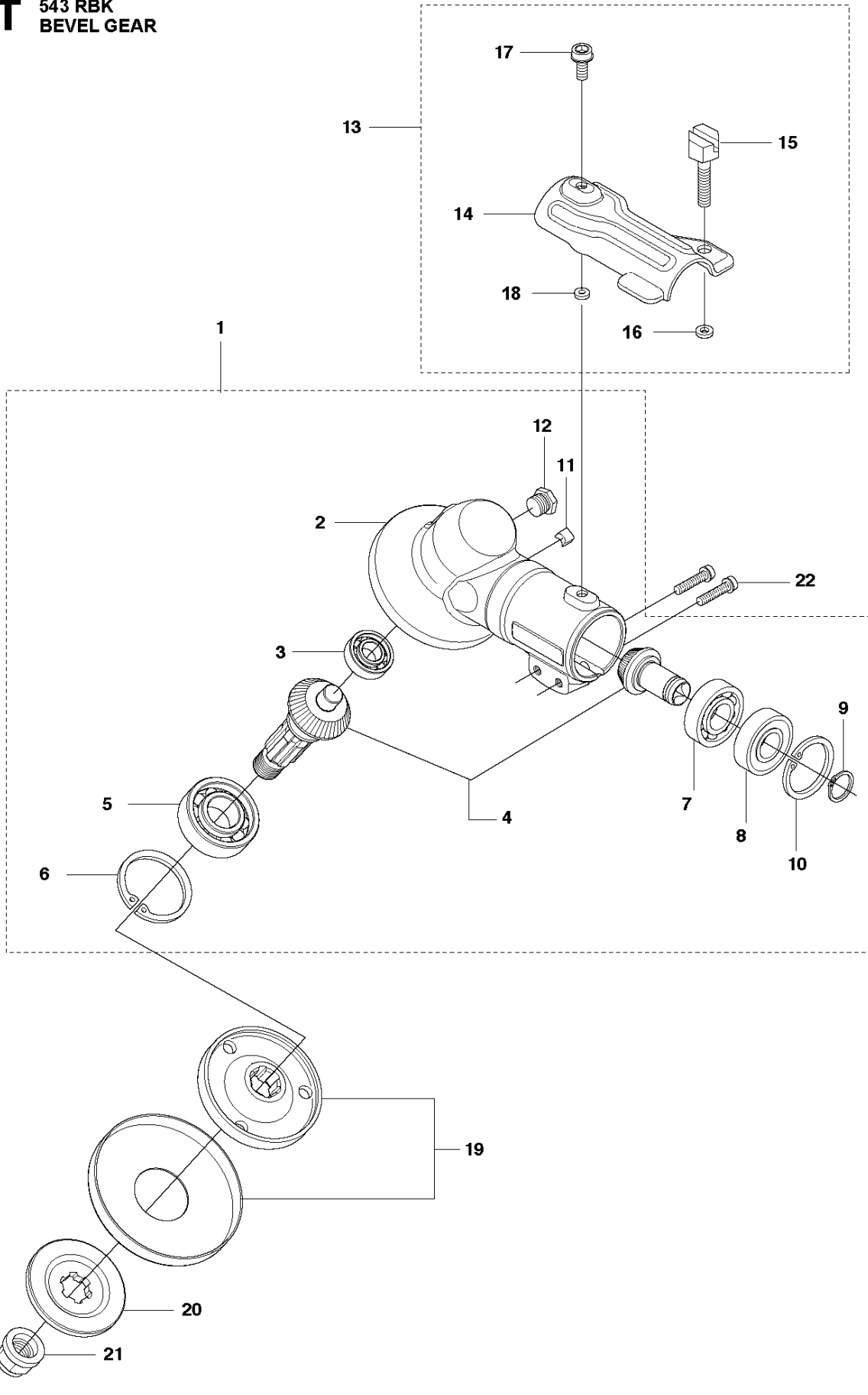


HARNESS

543 RBK, 20182200001-Current

| Ref | Part No | Description | Remark | QTY | KIT |
|-----|--------------|----------------|--------|-----|-----|
| 1 | 503 99 61-08 | BAND | | 1 | 2 |
| 2 | 521 99 14-01 | SHOULDER STRAP | | 1 | |
| 3 | 510 36 42-01 | WAIST-BELT | | 1 | |
| 4 | 575 50 78-01 | BAG | | 1 | |
| 5 | 537 28 70-01 | BUCKLE | | 1 | 2 |

T 543 RBK
BEVEL GEAR

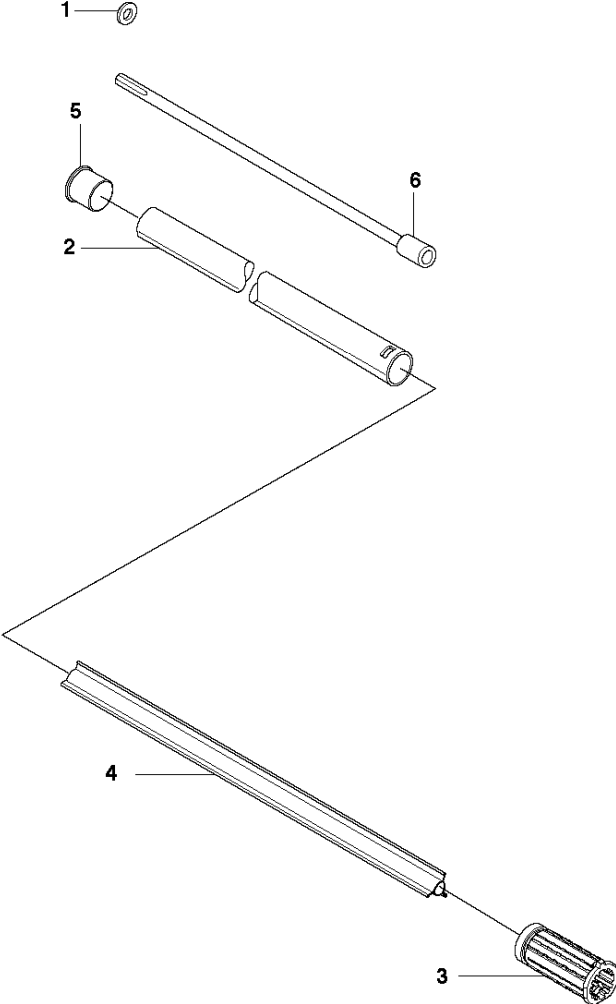


BEVEL GEAR

543 RBK, 20182200001-Current

| Ref | Part No | Description | Remark | QTY KIT |
|-----|--------------|-----------------|--------|---------|
| 1 | 537 29 58-03 | BEVEL GEAR | | 1 |
| 2 | 537 29 59-02 | GEAR HOUSING | | 1 |
| 3 | 738 21 99-00 | BALL BEARING | | 1 |
| 4 | 505 13 33-01 | SPARE PARTS KIT | | 1 |
| 5 | 503 25 28-01 | BALL BEARING | | 1 |
| 6 | 735 31 31-10 | CIRCLIP | | 1 |
| 7 | 738 21 01-10 | BALL BEARING | | 1 |
| 8 | 738 21 01-12 | BALL BEARING | | 1 |
| 9 | 735 31 14-00 | CIRCLIP | | 1 |
| 10 | 735 31 28-10 | CIRCLIP | | 1 |
| 11 | 537 14 74-01 | MAGNET | | 1 |
| 12 | 503 20 15-02 | SCREW IHHM | | 1 |
| 13 | 574 30 68-01 | CLAMP | | 1 |
| 14 | 544 08 76-01 | CLAMP | | 1 |
| 15 | 537 18 95-01 | SCREW | | 1 |
| 16 | 574 40 44-01 | LOCK NUT | | 1 |
| 17 | 503 20 03-05 | SCREW IHSCFM | | 1 |
| 18 | 574 03 95-01 | LOCK NUT | | 1 |
| 19 | 537 35 14-02 | DRIVER | | 1 |
| 20 | 537 34 35-01 | SUPPORT FLANGE | | 1 |
| 21 | 503 22 73-01 | NUT | | 1 |
| 22 | 503 20 03-25 | SCREW IHSCFM | | 2 |

U 543 RBK
SHAFT



SHAFT

543 RBK, 20182200001-Current

| Ref | Part No | Description | Remark | QTY KIT |
|-----|--------------|-------------|--------|---------|
| 1 | 735 58 52-00 | WASHER | | 1 |
| 2 | 501 92 02-01 | TUBE ASSY | | 1 |
| 3 | 586 89 78-01 | PLUG | | 1 |
| 4 | 537 31 39-04 | GUIDE | | 1 |
| 5 | 537 36 02-01 | SPACER | | 1 |
| 6 | 586 89 79-01 | DRIVE SHAFT | | 1 |