

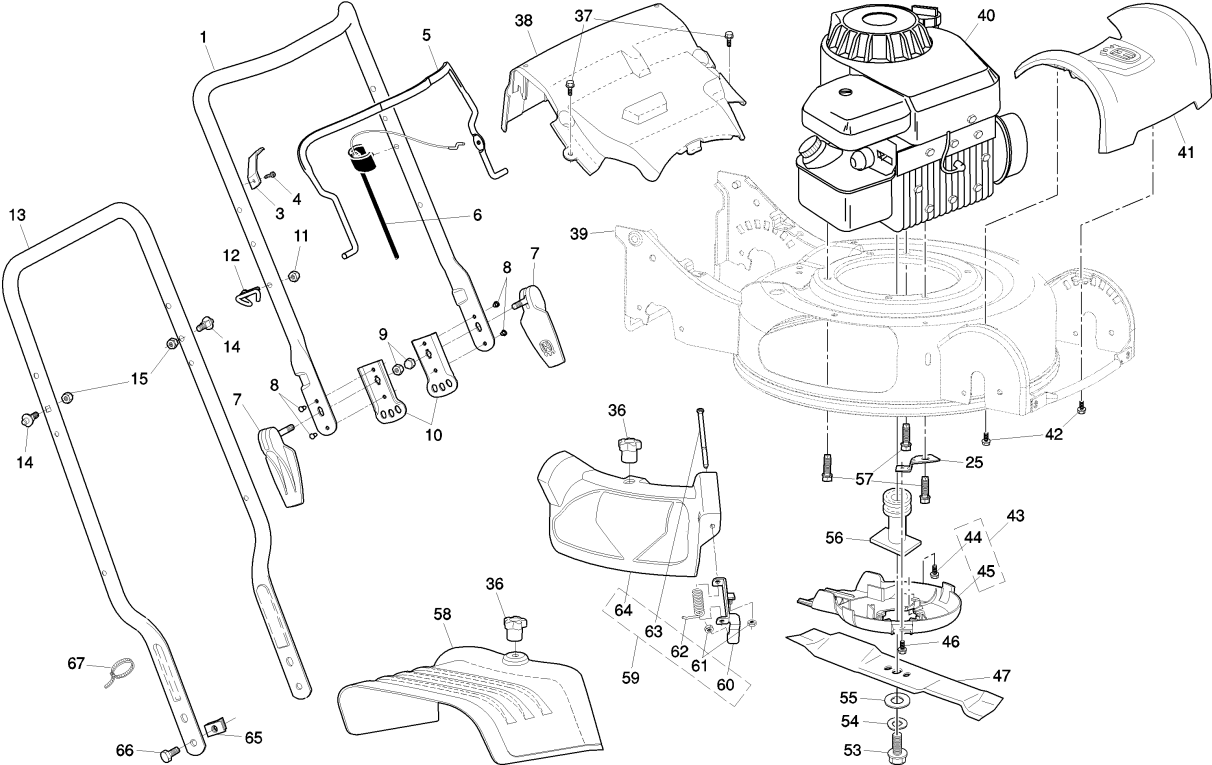


# SPARE PARTS LIST

LAWN MOWERS: COMMERCIAL  
WALK-BEHINDS

M145 SV, 96141013201, 2008-02

ROTARY LAWN MOWER -- MODEL NUMBER M145SV (96141013201) PRODUCT NUMBER 961 41 01-32

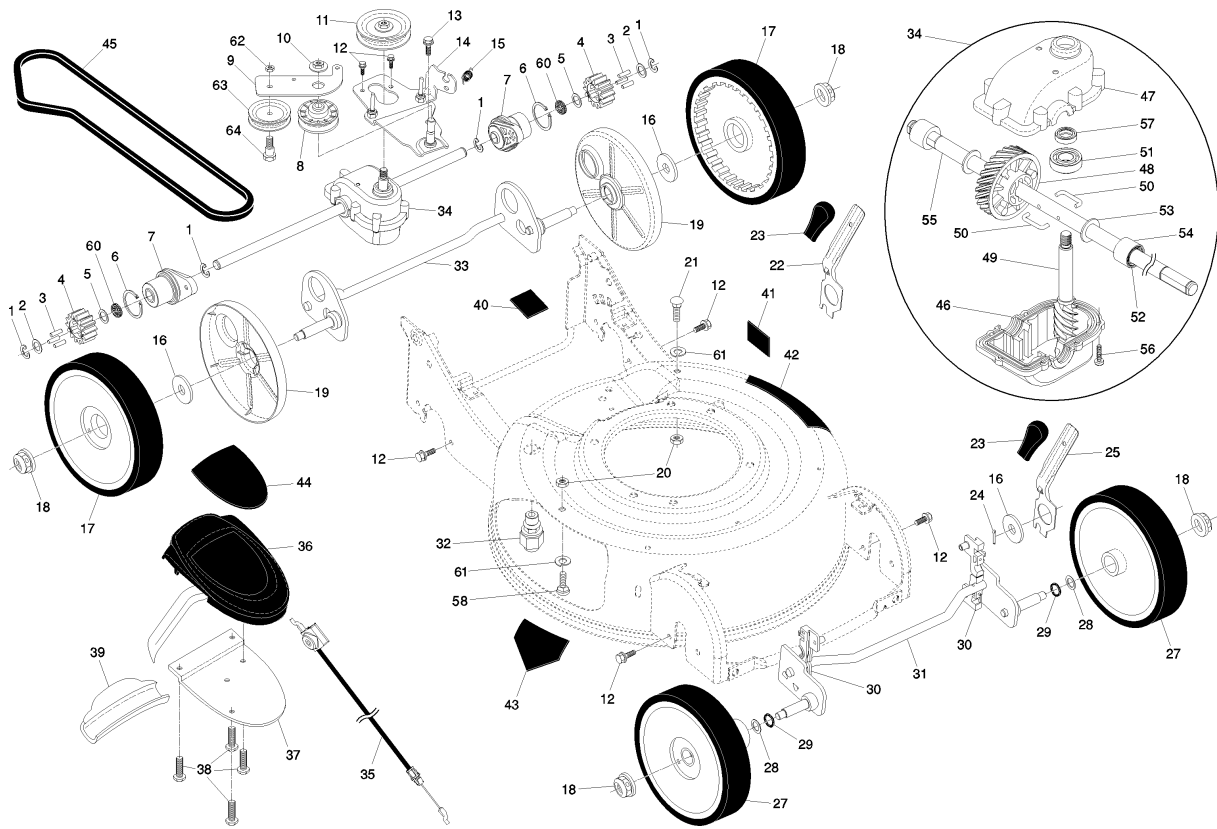


## FRAME &amp; ENGINE

M145 SV, 96141013201, 2008-02

Ref	Part No	Description	Remark	QTY KIT
1	532 19 98-87	HANDLE		1
3	532 12 52-03	BRACKET		1
4	532 75 06-34	SCREW		1
5	532 18 62-98	LEVER		1
6	532 19 77-40	CABLE		1
7	532 41 35-07	KNOB		1
8	532 19 96-97	RIVET		1
9	532 40 04-13	NUT		1
10	532 41 35-34	BRACKET		1
11	532 13 20-04	NUT		1
12	532 19 47-88	GUIDE		1
13	532 41 35-35	HANDLE		1
14	532 19 92-55	PEN		1
15	532 75 11-53	NUT		1
25	532 19 09-39	MOUNTING BRACKET, DEBRI		1
36	532 18 34-47	KNOB		1
37	532 19 94-22	SCREW		1
38	532 41 35-13	DRIVE COVER		1
39	532 41 04-00	CHASSIS		1
41	532 41 35-81	FRONT COVER		1
42	532 19 41-89	SCREW		1
43	532 40 12-16	BELT COVER		1
44	532 08 86-52	SCREW		1
45	532 41 35-15	BELT COVER		1
46	532 19 23-25	SCREW		1
47	532 19 92-22	MOWER BLADE		1
53	532 19 17-60	SCREW		1
54	532 85 02-63	WASHER		1
55	532 85 10-74	WASHER		1
56	532 40 71-37	ADAPTER		1
57	532 15 04-06	BOLT		1
58	532 41 35-17	DEFLECTOR		1
59	532 40 93-14	HOUSING		1
60	532 19 92-68	BRACKET		1
61	532 19 17-30	NUT		1
62	532 18 34-46	SPRING		1
63	532 18 34-45	PIN		1
64	532 41 35-18	HOUSING		1
65	532 40 40-08	NUT		1
66	532 85 09-99	BOLT		1
67	532 06 64-26	HOOP		1
-	532 40 86-64	OPERATOR'S MANUAL		1
-	532 40 86-65	OPERATOR'S MANUAL		1
-	532 41 34-16	OPERATOR'S MANUAL		1

ROTARY LAWN MOWER - - MODEL NUMBER M145SV (96141013201) PRODUCT NUMBER 961 41 01-32



## DRIVE

M145 SV, 96141013201, 2008-02

Ref	Part No	Description	Remark	QTY KIT
1	812 00 00-58	E-CLIP		1
2	532 05 21-60	WASHER		1
3	532 17 00-11	PIN RETAINING SCREW		1
4	532 16 64-50	PINION		1
5	532 05 21-60	WASHER		1
6	812 00 00-12	RETAINER RING		1
7	532 40 01-34	BEARING		1
8	532 19 37-91	PULLEY		1
9	532 42 11-01	ARM		1
10	532 40 91-49	NUT		1
11	532 19 34-43	PULLEY		1
12	532 16 34-09	SCREW		1
13	817 06 04-10	SCREW		1
14	532 40 11-13	BELT GUIDE		1
15	532 19 41-24	SPRING		1
16	532 06 77-25	WASHER		1
17	532 41 10-81	WHEEL		1
18	532 40 91-48	NUT		1
19	532 18 94-03	DUST COVER		1
20	532 40 01-00	NUT		1
21	872 11 04-04	BOLT		1
22	532 41 35-19	LEVER		1
23	532 19 92-69	KNOB		1
24	532 16 96-75	PIN		1
25	532 41 35-82	LEVER		1
27	532 41 08-31	WHEEL		1
28	532 08 83-48	WASHER		1
29	532 19 74-80	O-RING		1
30	532 41 35-20	BEARING		1
31	532 41 35-80	AXLE		1
32	532 40 00-94	CONNECTION		1
33	532 41 35-83	AXLE		1
34	532 19 92-31	GEARBOX ASSY		1
35	532 40 15-53	CONTROL CABLE		1
36	532 40 15-51	DRIVE CONTROL		1
37	532 40 07-23	BRACKET		1
38	532 18 16-98	SCREW		1
39	532 18 62-97	HUB CAP		1
40	532 19 97-31	DECAL		1
41	532 15 97-36	DECAL		1
42	532 19 99-12	DECAL		1
43	532 18 21-66	DECAL		1
44	532 41 69-58	DECAL		1
45	532 19 92-25	V-BELT		1
46	532 18 75-30	CARTER INF.BOITE DE VITESSE		1
47	532 19 12-45	GEAR HOUSING		1
48	532 18 75-32	PINION		1
49	532 40 30-91	SHAFT		1
50	532 18 35-05	WIRE, FORMED		1
51	532 18 35-06	BALL BEARING		1
52	532 18 35-08	SEAL, OUTPUT SHAFT		1
53	532 18 35-09	WASHER		1
54	532 18 35-11	BUSHING		1
55	532 40 30-92	SHAFT		1
56	532 18 35-13	SCREW		1
57	532 18 35-14	SEAL, INPUT SHAFT		1
58	872 11 04-07	BOLT		1
60	532 08 81-18	WASHER		1
61	532 85 02-63	WASHER		1
62	873 93 05-00	NUT		1
63	532 16 60-43	PULLEY		1
64	532 16 08-29	BOLT		1