

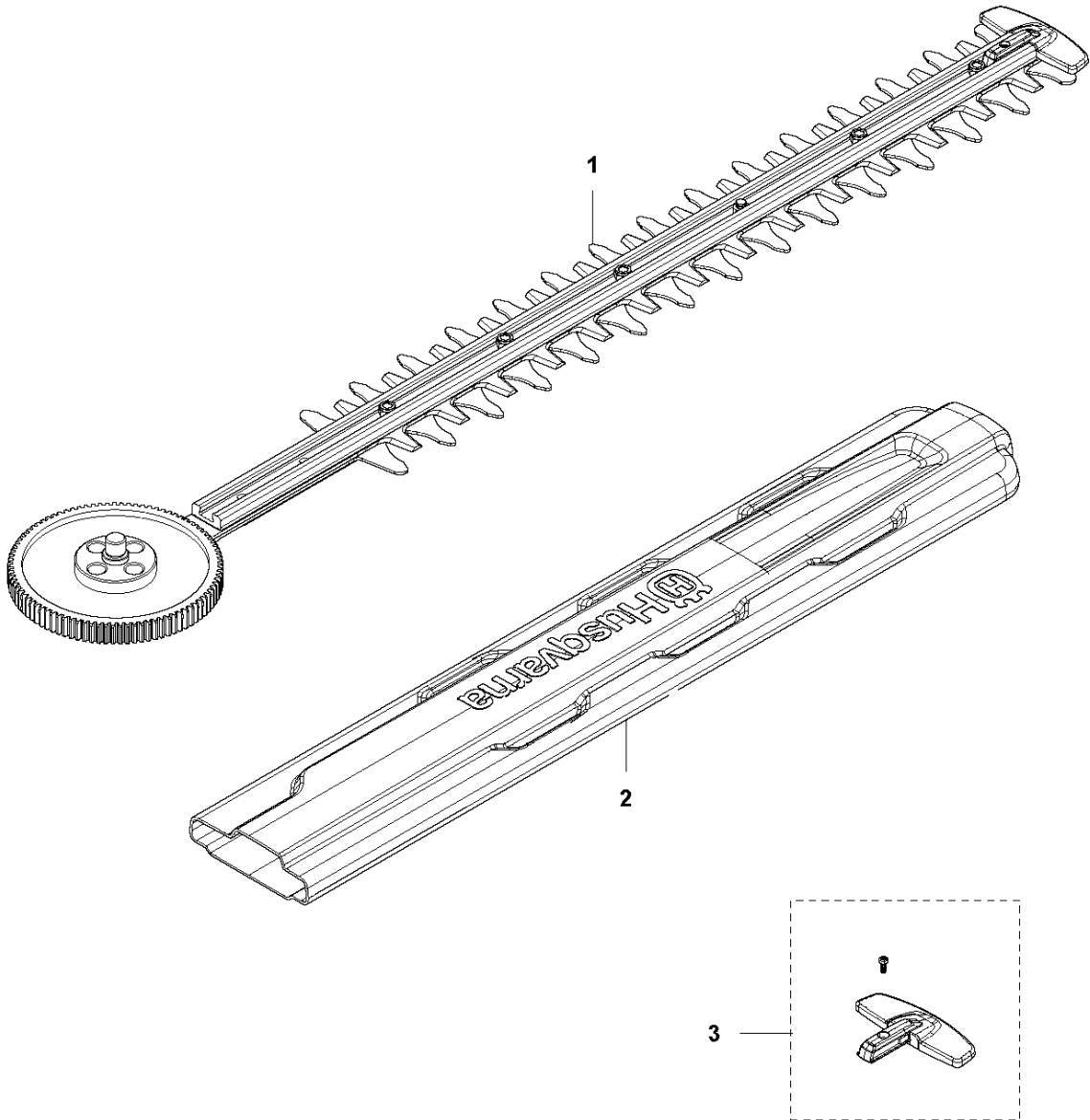


## SPARE PARTS LIST

HEDGE TRIMMERS/POLE HEDGE  
TRIMMERS

136LiHD45, 967193701, 967193711,  
967336431, 20150900001-Current

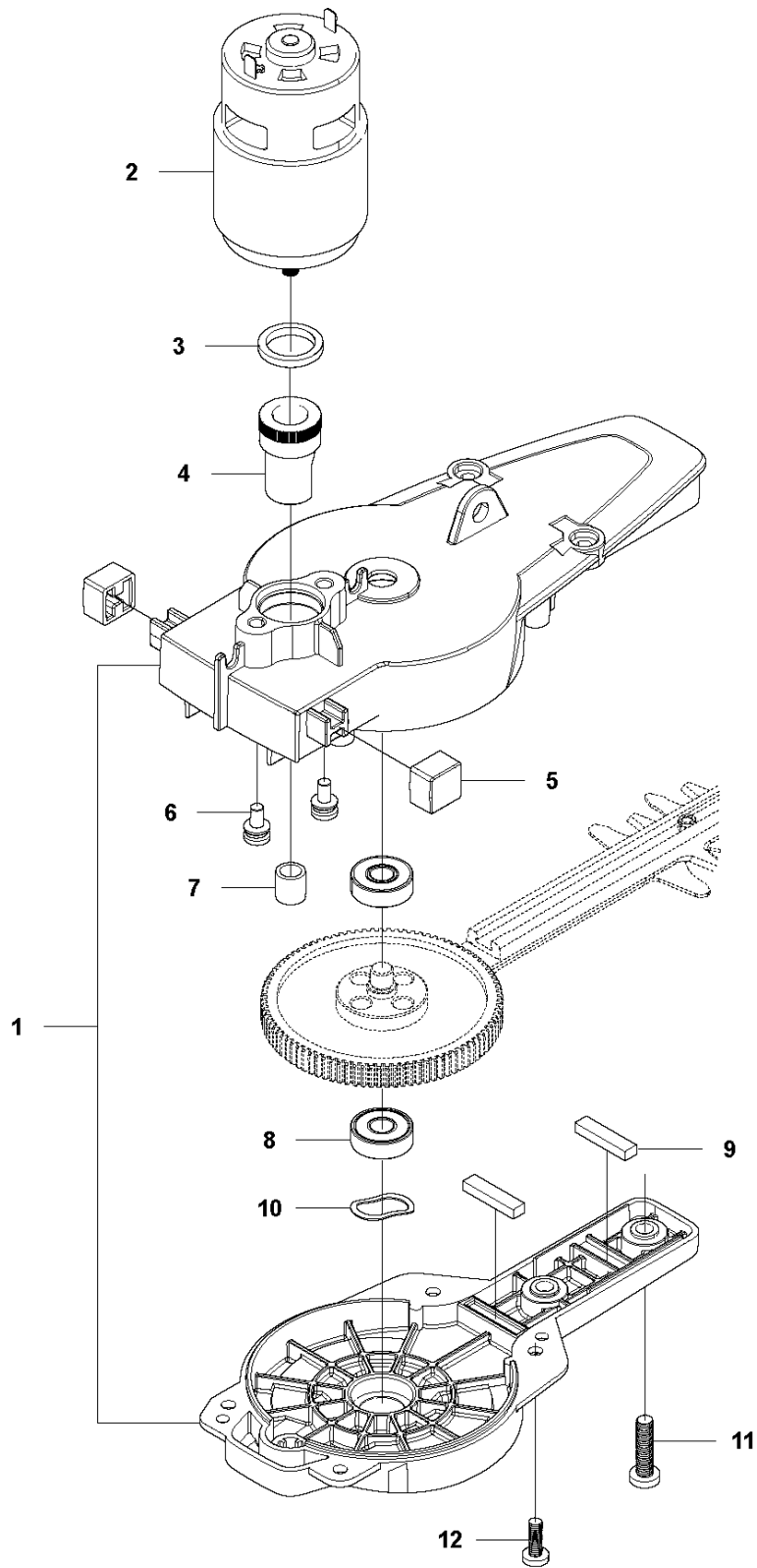
**A** 136 Li HD45  
CUTTING



CUTTING EQUIPMENT      136LiHD45, 967193701, 967193711, 967336431, 20150900001-Current

Ref	Part No	Description	Remark	QTY KIT
1	588 76 06-01	DRIVER		1
2	585 63 73-01	BLADE	Protector	1
3	588 76 01-01	BLADE	Tip Guard	1

**B** 136 Li HD45  
GEAR

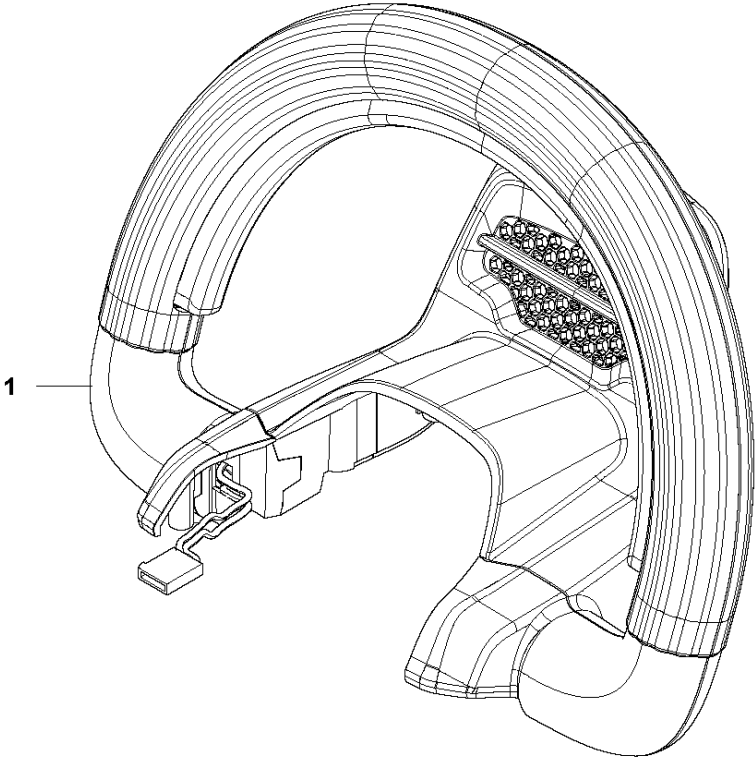


## GEAR HOUSING

136LiHD45, 967193701, 967193711, 967336431, 20150900001-Current

Ref	Part No	Description	Remark	QTY KIT	
1	588 76 02-01	GEAR		1	
2	588 76 03-01	MOTOR		1	1
3	586 60 47-01	SLEEVE		1	1
4	585 81 85-01	SLEEVE		1	1
5	585 81 88-01	SLEEVE		2	1
6	585 94 44-01	SCREW	M4x10	2	1
7	585 62 83-01	NEEDLE BEARING		1	1
8	585 63 58-01	BALL BEARING	607 2z	2	1
9	585 62 82-01	PAD		2	1
10	588 26 77-01	GEARBOX		1	1
11	585 81 86-01	SCREW	M5x20	2	1
12	585 81 87-01	SCREW	M4x12	4	1

**C** 136 Li HD45  
HANDLE

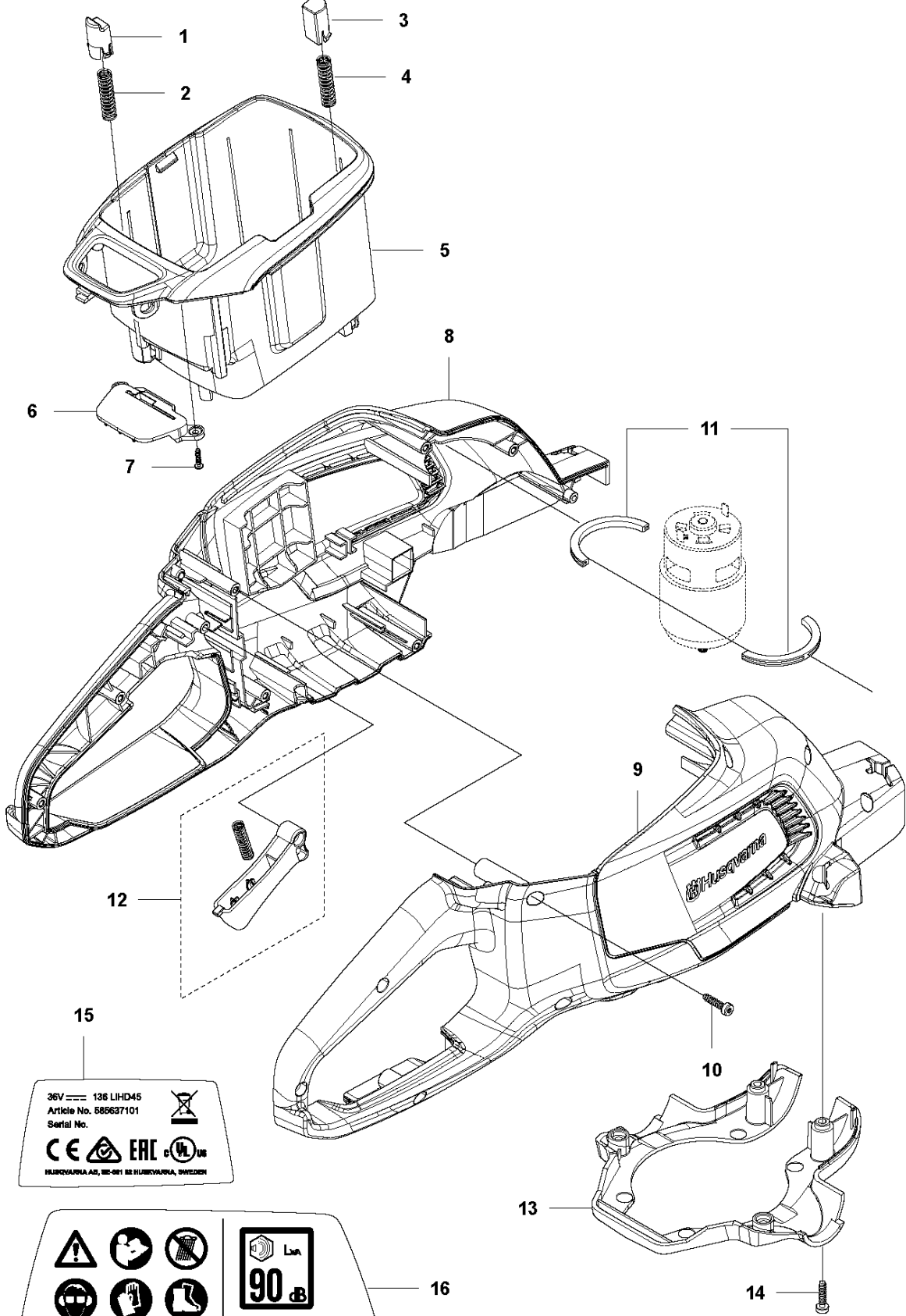


HANDLE

136LiHD45, 967193701, 967193711, 967336431, 20150900001-Current

Ref	Part No	Description	Remark	QTY KIT
1	588 76 04-01	HANDLE		1

**D** 136 Li HD45  
HOUSING



36V 136 LiHD45  
Article No. 586637101  
Serial No.

CE ENEC VDE

HUSQVARNA AB, SE-801 82 HUSKVARNA, SWEDEN

Warning icons: High Voltage, Hand, Noise, Battery, Ear Protection, Eye Protection

LA 90 dB

586637001

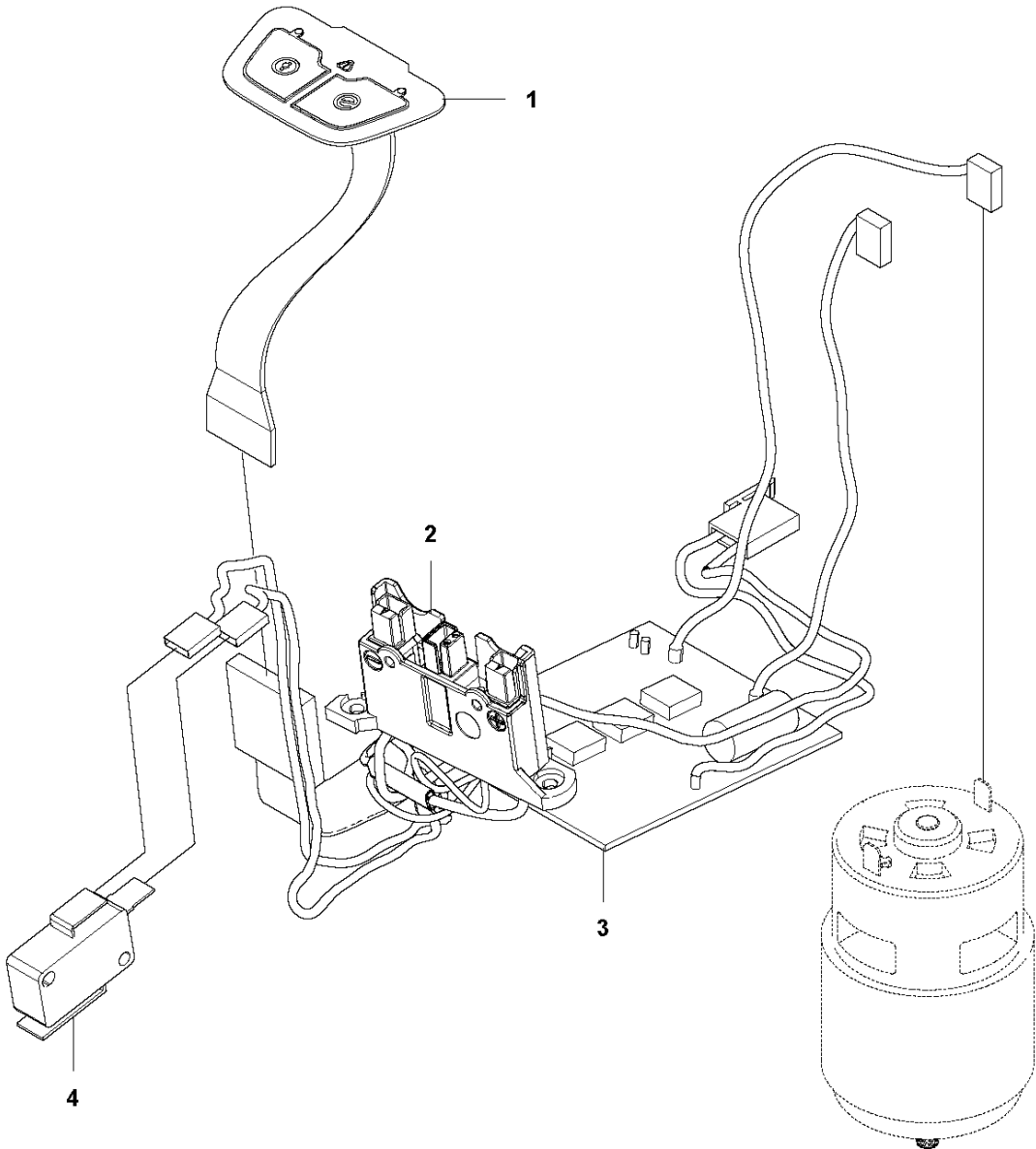


## HOUSING

136LiHD45, 967193701, 967193711, 967336431, 20150900001-Current

Ref	Part No	Description	Remark	QTY KIT
1	577 99 66-01	PUSH BUTTON	rear	1
2	585 63 62-01	SPRING		1
3	585 63 60-01	PUSH BUTTON	front	1
4	585 63 66-01	SPRING		1
5	585 63 49-01	BATTERY BOX		1
6	585 63 50-01	BRACKET		1
7	585 81 89-01	SCREW	ST3x8	4
8	585 63 31-01	HOUSING	Right	1
9	585 63 34-01	HOUSING	Left	1
10	585 81 90-02	SCREW	ST4x16	9
11	585 63 67-01	SLEEVE		2
12	588 76 05-01	TRIGGER		1
13	585 63 39-01	COVER	Bottom	1
14	585 81 90-02	SCREW	ST4x16	4
15	585 63 71-01	LABEL	Rating	1
16	585 63 70-01	LABEL	Warning	1

**E** 136 Li HD45  
ELECTRIC



ELECTRICAL

136LiHD45, 967193701, 967193711, 967336431, 20150900001-Current

Ref	Part No	Description	Remark	QTY KIT
1	585 59 21-01	KEYPAD		1
2	585 63 32-01	TERMINAL BLOCK		1
3	585 63 63-01	CONTROL UNIT		1
4	585 59 06-01	MICRO SWITCH		1