

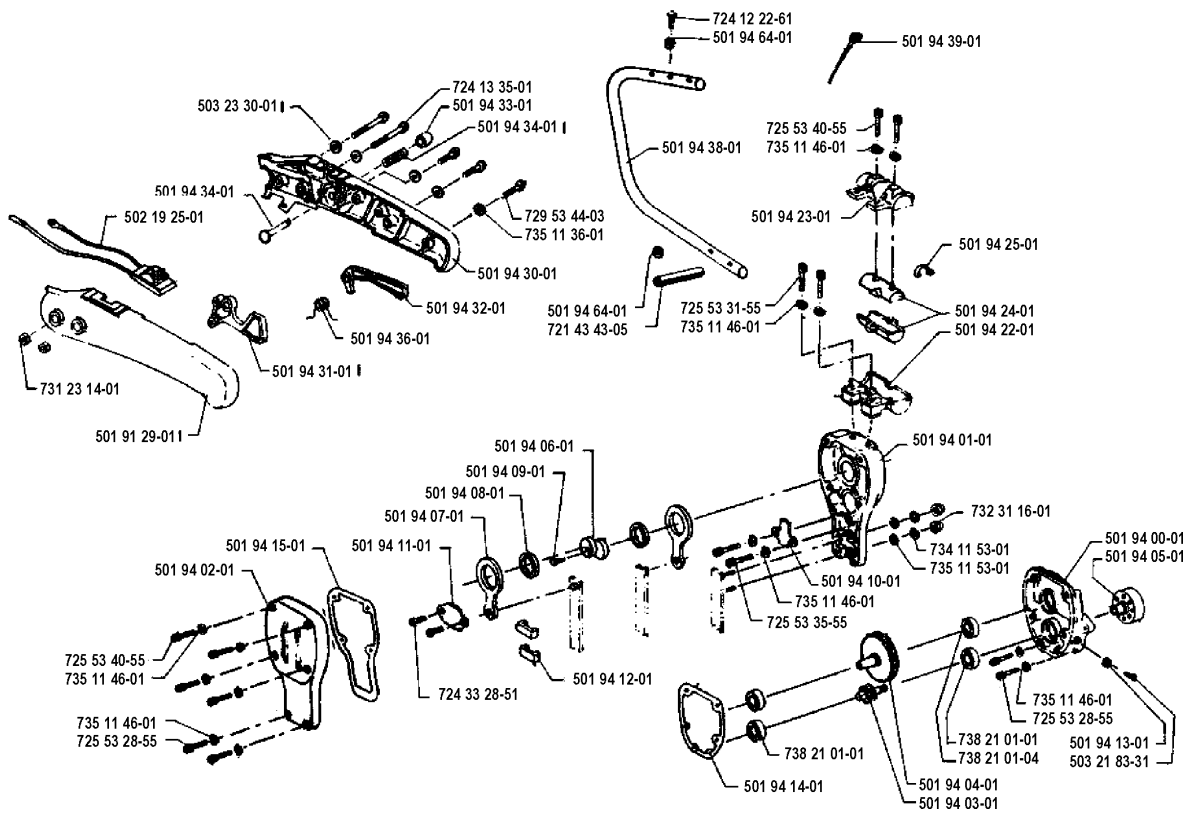


SPARE PARTS LIST

HEDGE TRIMMERS/POLE HEDGE
TRIMMERS

24H, 19921400001-Current

A

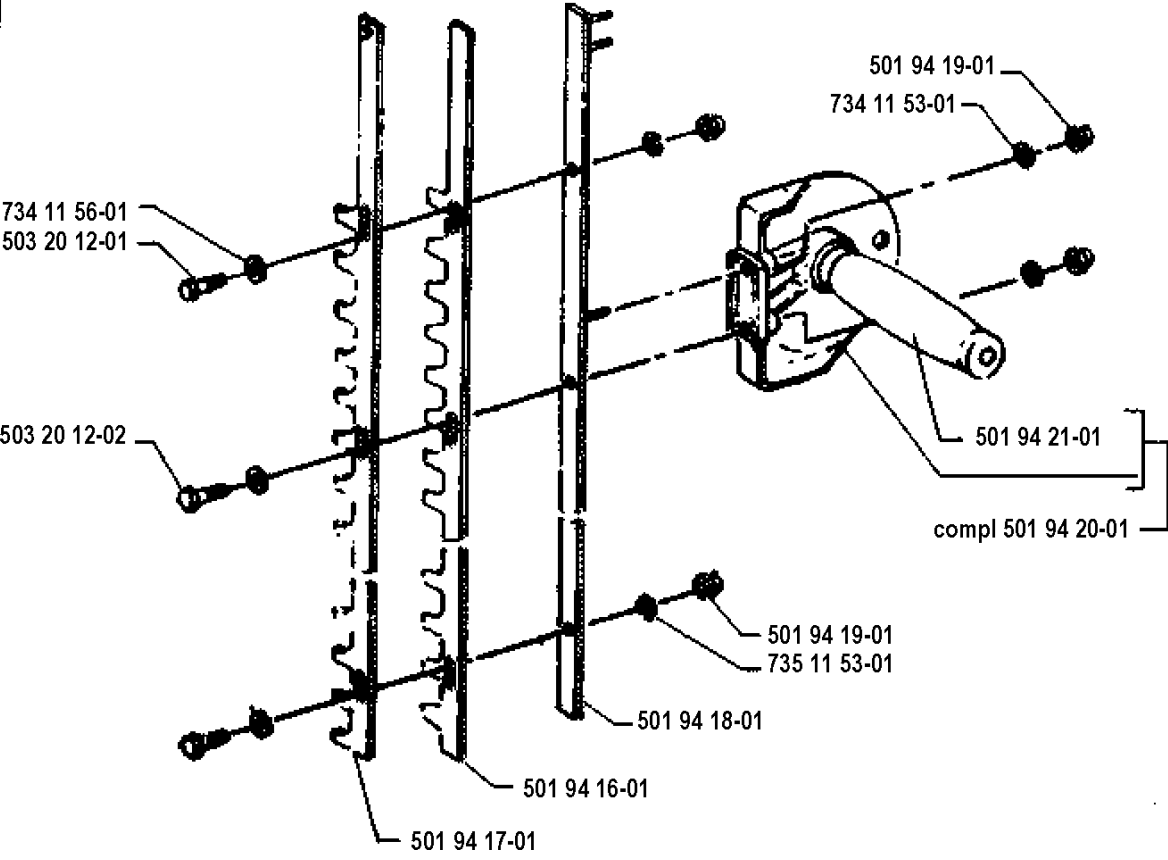


HANDLE & CONTROLS

24H, 19921400001-Current

Part No	Description	Remark	QTY KIT
501 91 29-01	MUFFLER COVER		1
501 94 00-01	GEAR HOUSING		1
501 94 01-01	KNIVHUS HÄCKSAX		1
501 94 02-01	KNIVHUSKÅPA HÄCKSAX		1
501 94 03-01	PINION		1
501 94 04-01	WHEEL		1
501 94 05-01	CLUTCH DRUM ASSY		1
501 94 06-01	CAMSHAFT		1
501 94 07-01	CONNECTING ROD		1
501 94 08-01	CAM		1
501 94 09-01	SCREW		1
501 94 10-01	COVER PLATE		1
501 94 11-01	FIXERPLATTA HÄCKSAX		1
501 94 12-01	GASKET		1
501 94 13-01	WASHER		1
501 94 14-01	GASKET		1
501 94 15-01	GASKET		1
501 94 22-01	HANDLE HOLDER		1
501 94 23-01	HANDLE HOLDER		1
501 94 24-01	DAMPER		1
501 94 25-01	JORDBLECK HÄCKSAX		1
501 94 30-01	HANDLE HALF		1
501 94 31-01	TRIGGER THROTTLE CONTROL		1
501 94 32-01	THROTTLE LOCKOUT		1
501 94 33-01	STARTER THROTTLE LOC		1
501 94 34-01	PINNE HÄCKSAX		1
501 94 34-01	PINNE HÄCKSAX		1
501 94 36-01	SPRING		1
501 94 38-01	FRONT HANDLE		1
501 94 39-01	THROTTLE CABLE		1
501 94 64-01	CABLE GROMMET		1
501 94 64-01	CABLE GROMMET		1
502 19 25-01	STOP SWITCH		1
503 21 83-31	SCREW		1
503 23 30-01	WASHER		1
721 43 43-05			1
724 12 22-61	SCREW CRPANM		1
724 13 35-01	SCREW CRPANM		1
724 33 28-51	SCREW CRCSFM		1
725 53 28-55	SCREW		1
725 53 28-55	SCREW		1
725 53 31-55	SCREW IHSCM		1
725 53 35-55	SCREW IHSCM		1
725 53 40-55	SCREW IHSCM		1
725 53 40-55	SCREW IHSCM		1
729 53 44-03	TAPPING SCREW		1
731 23 14-01	HEXAGON NUT		1
732 31 16-01	CAP NUT		1
734 11 53-01	WASHER		1
735 11 36-01	SPRING WASHER 4.1X7.1		1
735 11 46-01	SPRING WASHER		1
735 11 46-01	SPRING WASHER		1
735 11 46-01	SPRING WASHER		1
735 11 46-01	SPRING WASHER		1
735 11 46-01	SPRING WASHER		1
735 11 46-01	SPRING WASHER		1
735 11 53-01	WASHER		1
738 21 01-01	BALL BEARING		1
738 21 01-01	BALL BEARING		1
738 21 01-04	BALL BEARING		1

H

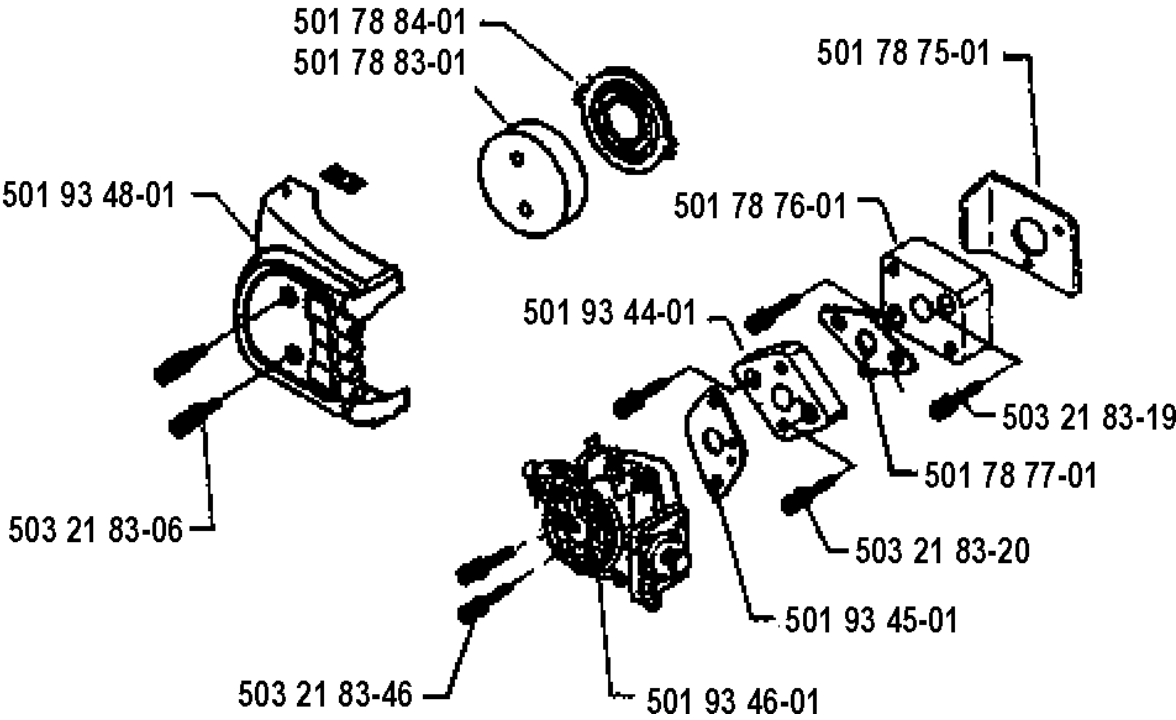


CUTTING EQUIPMENT

24H, 19921400001-Current

Part No	Description	Remark	QTY KIT
501 94 16-01	BLADE HEDGE TRIMMER		1
501 94 17-01	BLADE HEDGE TRIMMER		1
501 94 18-01	KNIV GUIDE HÄCKSAX		1
501 94 19-01	NUT		1
501 94 19-01	NUT		1
501 94 20-01	HANDLE ASSY		1
501 94 21-01	GREPPHANDTAG HÄCKSAX		1
503 20 12-01	SCREW EHHM		1
503 20 12-02	SCREW EHHM		1
734 11 53-01	WASHER		1
734 11 56-01	WASHER		1
735 11 53-01	WASHER		1

B

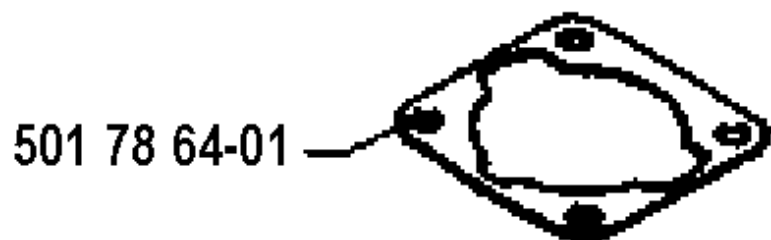
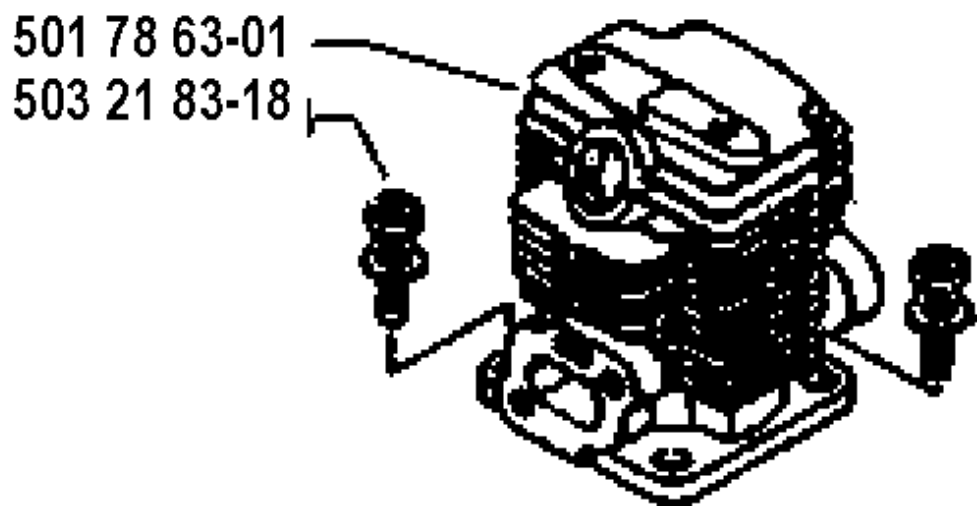
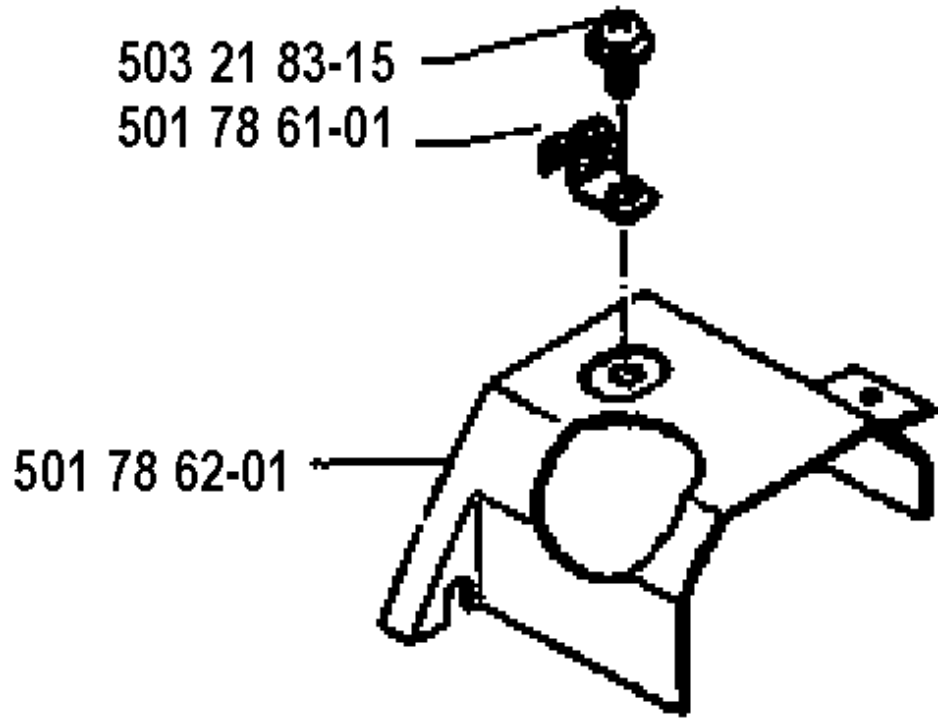


CARBURETOR & AIR FILTER

24H, 19921400001-Current

Part No	Description	Remark	QTY KIT
501 78 75-01	GASKET		1
501 78 76-01	INLET PIPE		1
501 78 77-01	GASKET		1
501 78 83-01	FILTER		1
501 78 84-01	FILTER HOLDER		1
501 93 44-01	SPACER		1
501 93 45-01	GASKET		1
501 93 46-01	CARBURETTOR		1
501 93 48-01	FILTER COVER		1
503 21 83-06	SCREW		1
503 21 83-19	SCREW		1
503 21 83-20	SCREW		1
503 21 83-46	SCREW		1

C

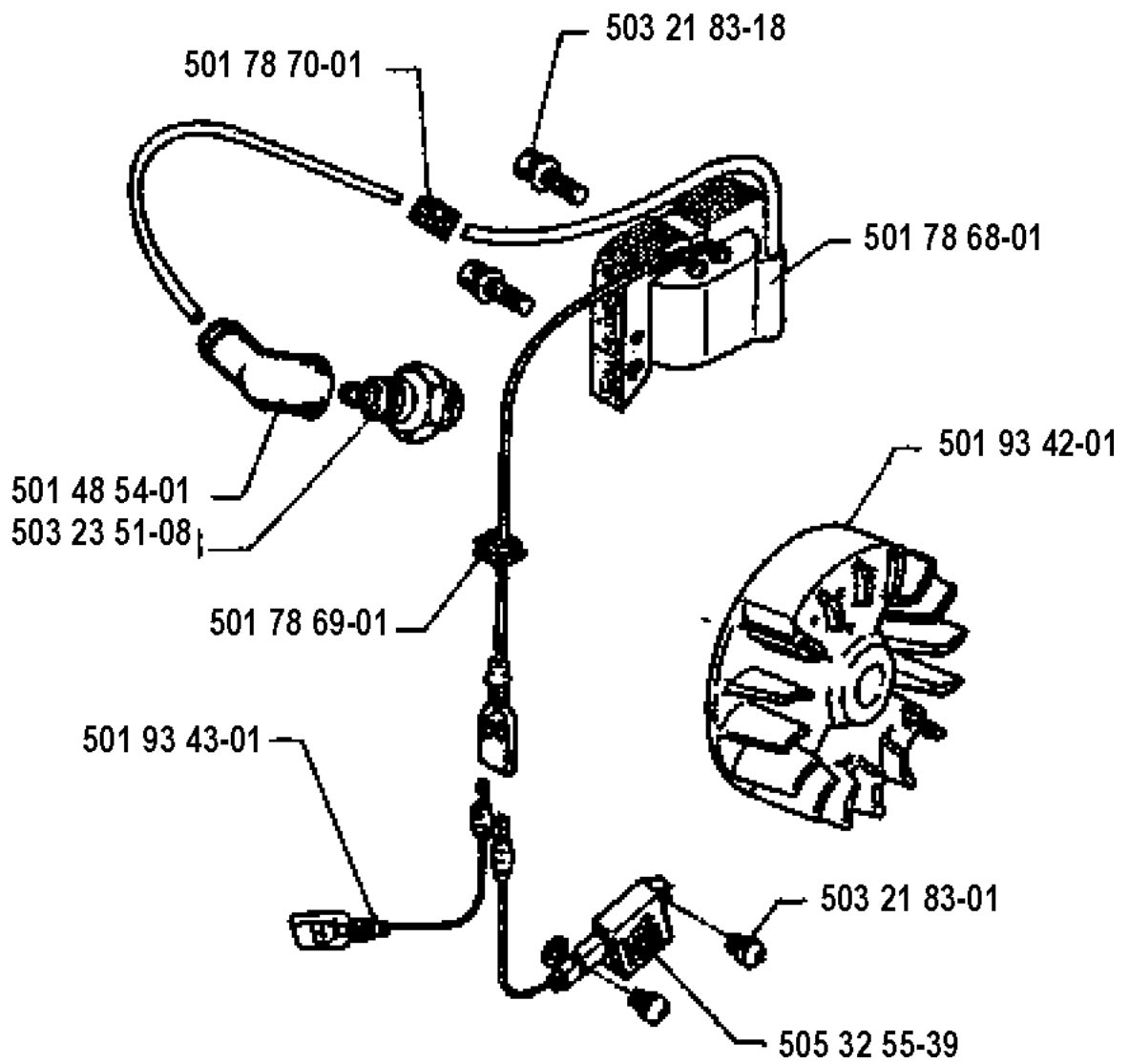


CYLINDER

24H, 19921400001-Current

Part No	Description	Remark	QTY KIT
501 78 61-01	CLAMP		1
501 78 62-01	CYLINDER COVER		1
501 78 63-01	CYLINDER		1
501 78 64-01	GASKET		1
503 21 83-15	SCREW		1
503 21 83-18	SCREW		1

E



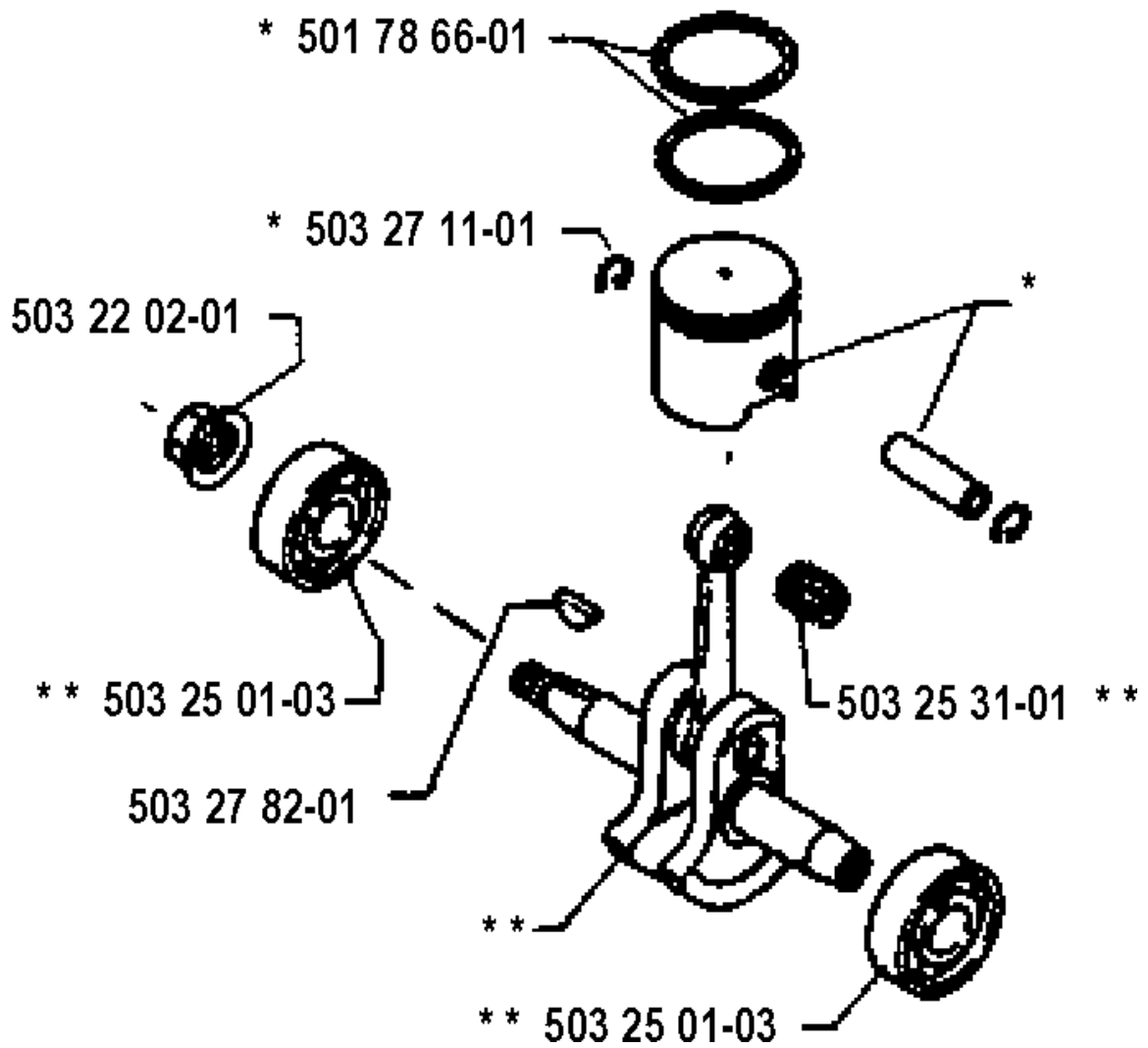
IGNITION SYSTEM

24H, 19921400001-Current

Part No	Description	Remark	QTY KIT
501 48 54-01	KIT		1
501 78 68-01	IGNITION COIL		1
501 78 69-01	PRIMARY CABLE		1
501 78 70-01	IGNITION CABLE		1
501 93 42-01	FLYWHEEL		1
501 93 43-01	CABLE		1
503 21 83-01	SCREW		1
503 21 83-18	SCREW		1
503 23 51-08	SPARK PLUG		1
505 32 55-39	ELECTRONIC BOX		1

F

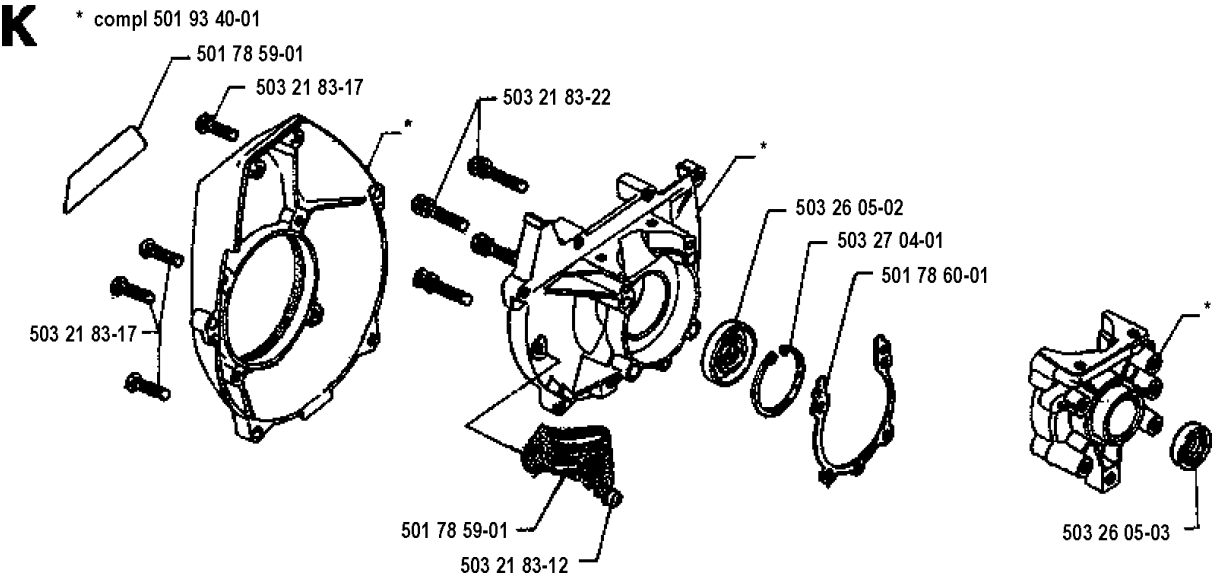
- * compl 501 78 65-01
- ** compl 501 93 41-01



PISTON & CRANKSHAFT

24H, 19921400001-Current

Part No	Description	Remark	QTY KIT
501 78 65-01	PISTON		1
501 78 66-01	PISTON RING		1
501 93 41-01	CRANKSHAFT		1
503 22 02-01	NUT FLANGE		1
503 25 01-03	BALL BEARING		1
503 25 01-03	BALL BEARING		1
503 25 31-01	SUPPORT BUSHING		1
503 27 11-01	LOCK RING		1
503 27 82-01	KEY		1

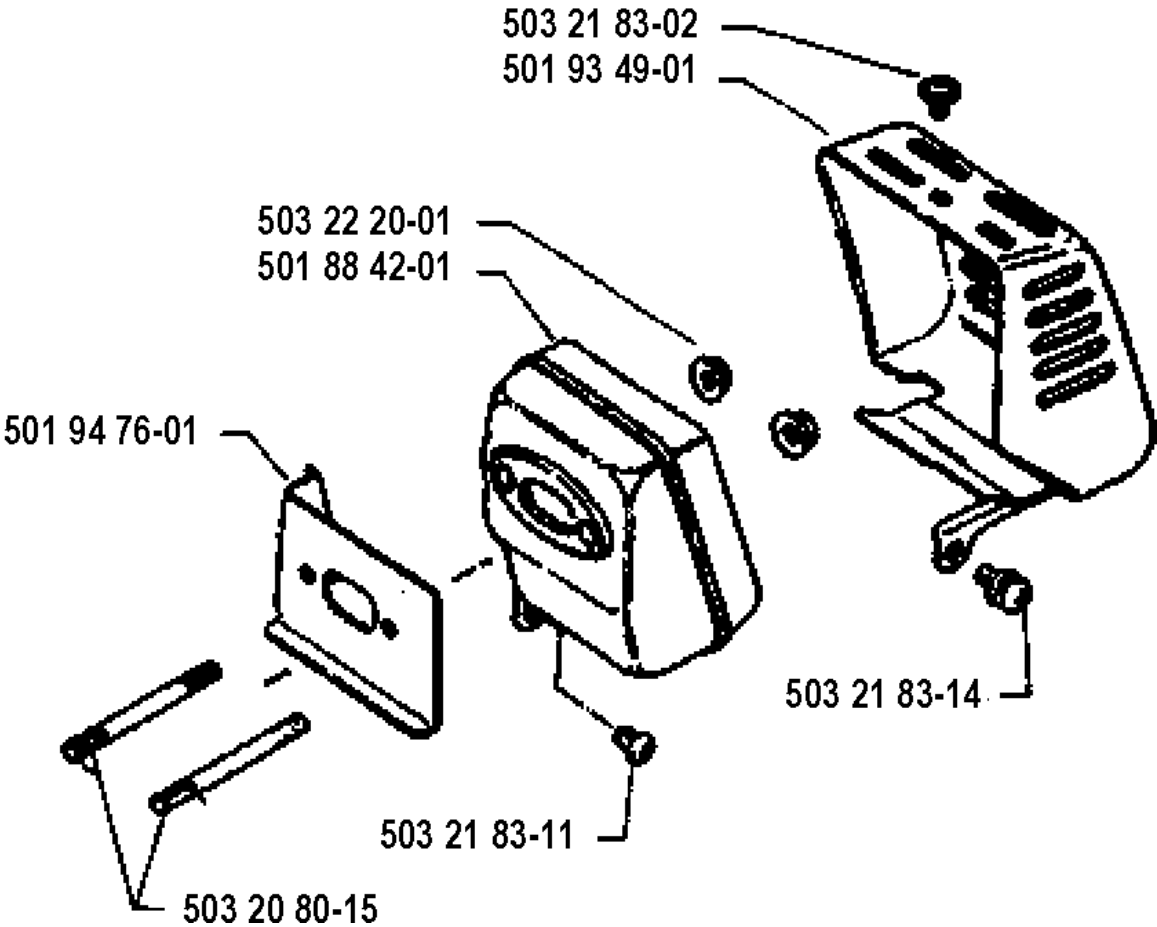


CRANKCASE

24H, 19921400001-Current

Part No	Description	Remark	QTY KIT
501 78 59-01	CLAMP		1
501 78 59-01	CLAMP		1
501 78 60-01	GASKET		1
501 93 40-01	CRANKCASE ASSY		1
503 21 83-12	SCREW		1
503 21 83-17	SCREW		1
503 21 83-17	SCREW		1
503 21 83-22	SCREW		1
503 26 05-02	SEALING RING		1
503 26 05-03	SEALING RING		1
503 27 04-01	SNAP RING		1

D

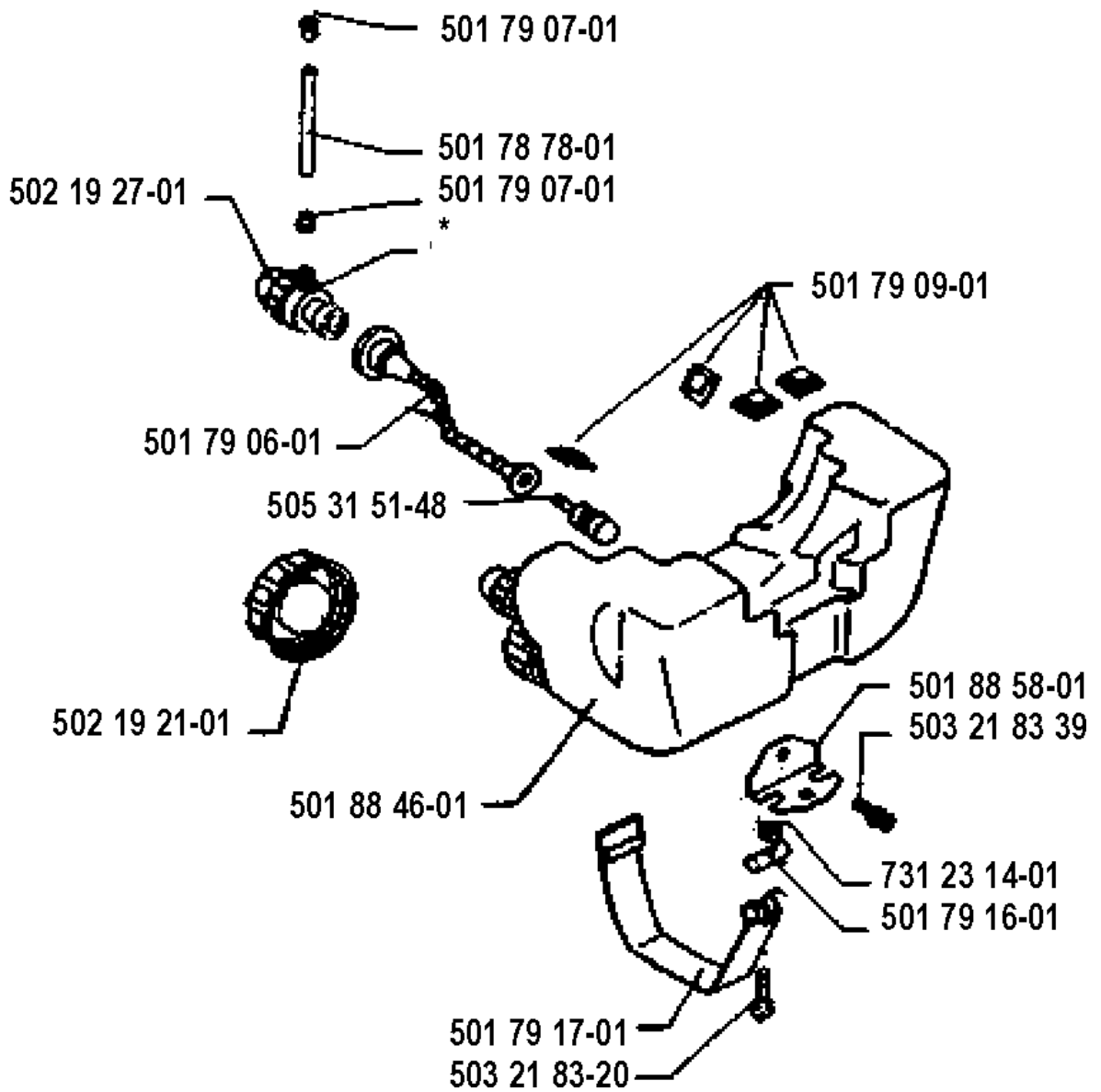


MUFFLER

24H, 19921400001-Current

Part No	Description	Remark	QTY KIT
501 88 42-01	SILENCER		1
501 93 49-01	HEAT PROTECTOR		1
501 94 76-01	GASKET		1
503 20 80-15	SCREW PIN		1
503 21 83-02	SCREW		1
503 21 83-11	SCREW		1
503 21 83-14	SCREW		1
503 22 20-01	LOCK NUT		1

G * compl 501 79 05-01

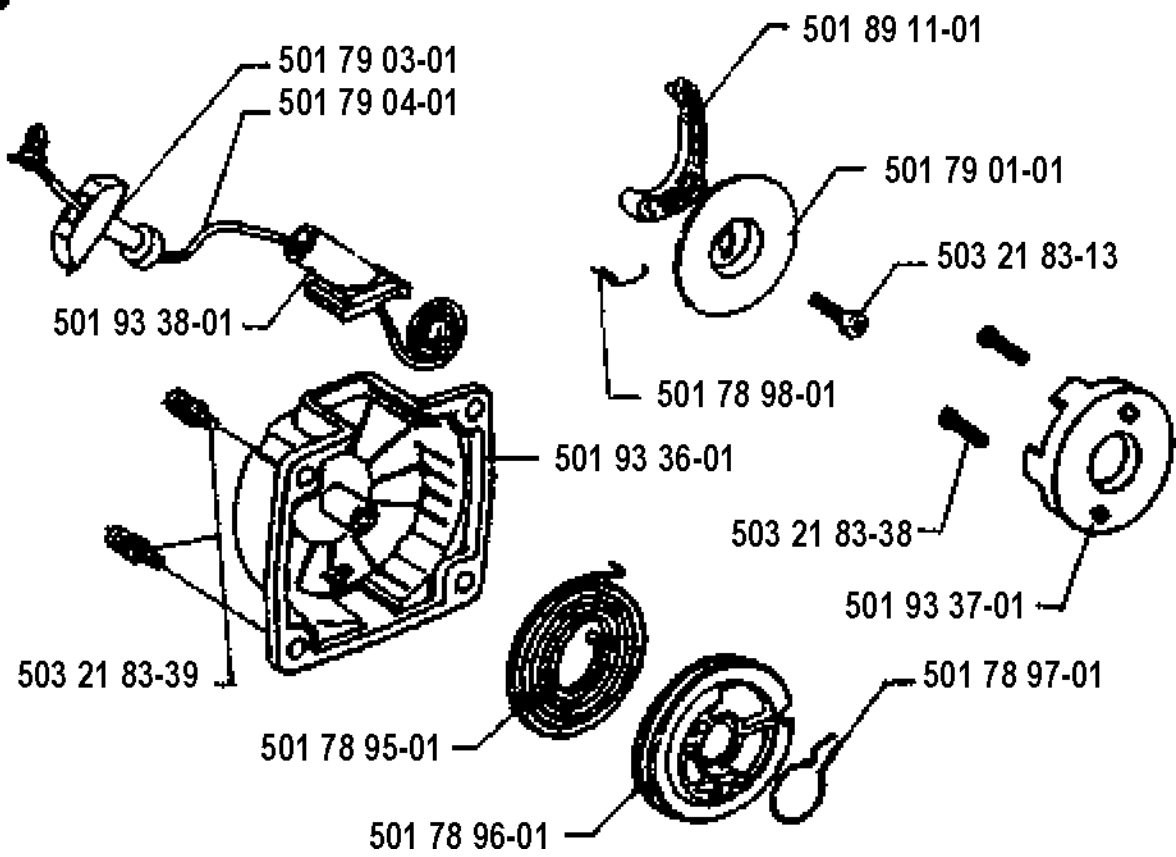


FUEL TANK

24H, 19921400001-Current

Part No	Description	Remark	QTY KIT
501 78 78-01	PIPE		1
501 79 05-01	PUMP START KPL		1
501 79 06-01	FUEL HOSE		1
501 79 07-01	HOSE CLAMP		1
501 79 07-01	HOSE CLAMP		1
501 79 09-01	PAD		1
501 79 16-01	BAR, BAND SUPPORT		1
501 79 17-01	BAND		1
501 88 46-01	TANK		1
501 88 58-01	PLATE		1
502 19 21-01	TANK CAP		1
502 19 27-01	PRIMER		1
503 21 83-20	SCREW		1
503 21 83-39	SCREW		1
505 31 51-48	FUEL FILTER		1
731 23 14-01	HEXAGON NUT		1

J



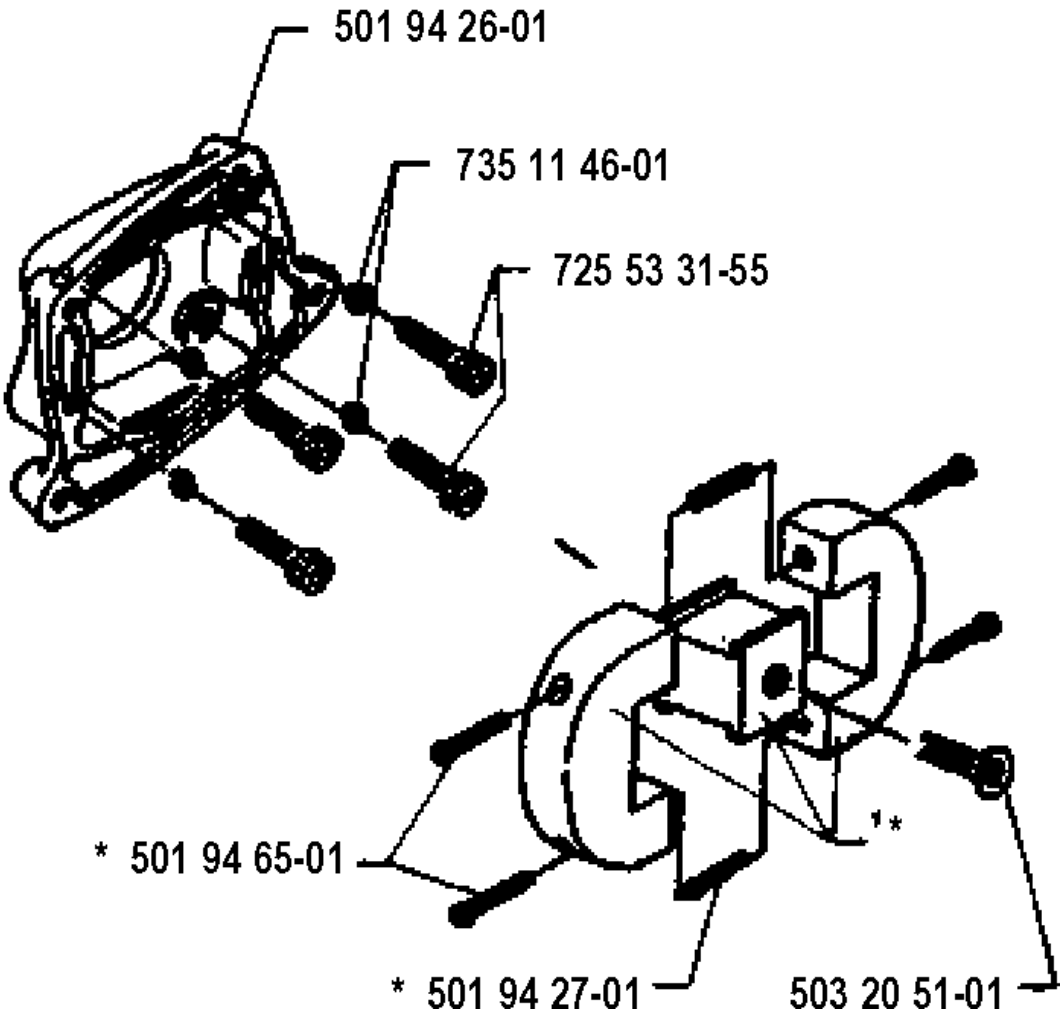
STARTER

24H, 19921400001-Current

Part No	Description	Remark	QTY KIT
501 78 95-01	RECOIL SPRING		1
501 78 96-01	STARTER PULLEY		1
501 78 97-01	STARTER PULLEY		1
501 78 98-01	SPRING		1
501 79 01-01	PLATE		1
501 79 03-01	STARTER HANDLE		1
501 79 04-01	STARTER CORD		1
501 89 11-01	PAWL		1
501 93 36-01	STARTER HOUSING		1
501 93 37-01	DRIVER		1
501 93 38-01	GROMMET		1
503 21 83-13	SCREW		1
503 21 83-38	SCREW		1
503 21 83-39	SCREW		1



* compl 501 94 28-01



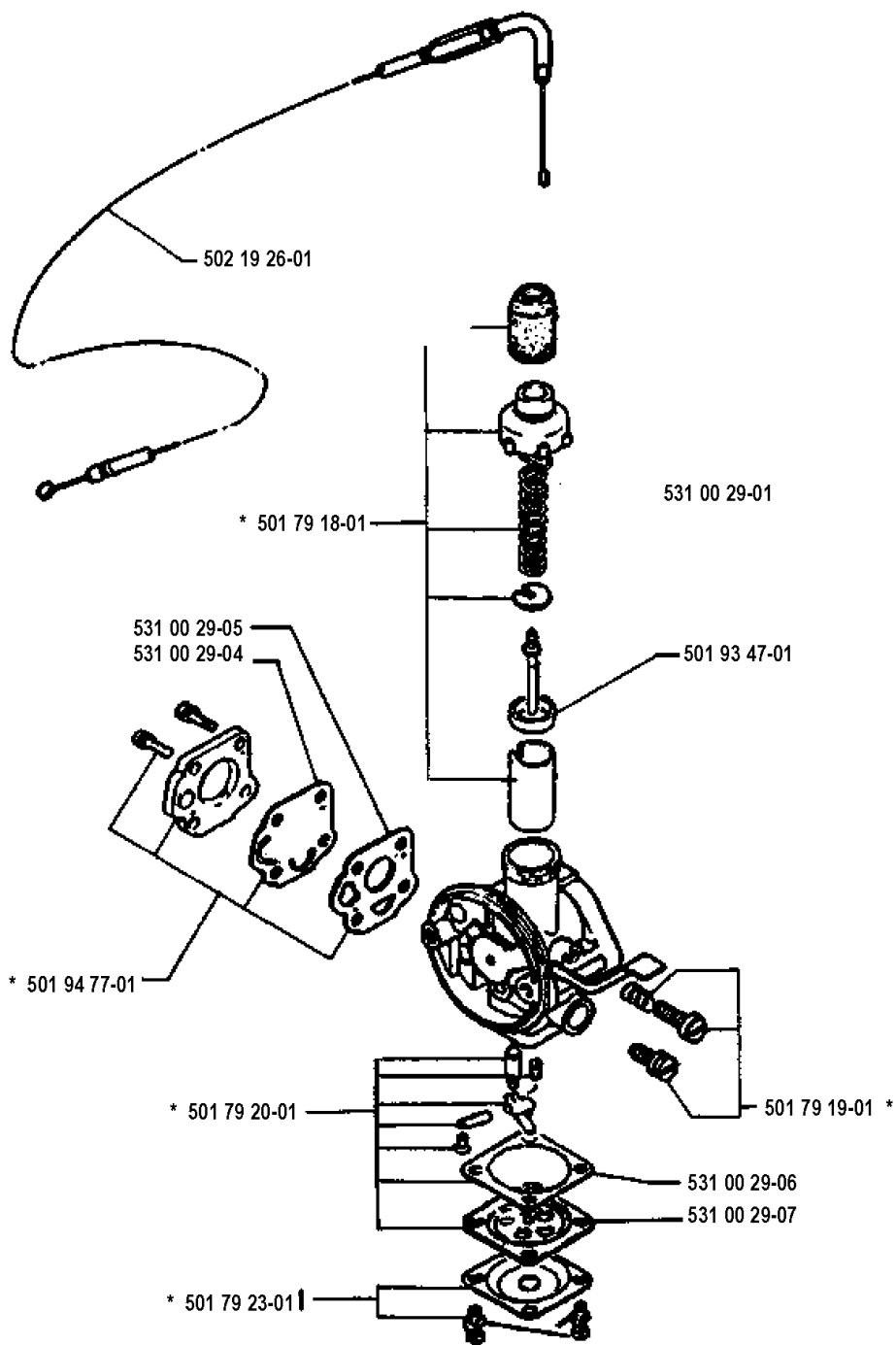
CLUTCH

24H, 19921400001-Current

Part No	Description	Remark	QTY KIT
501 94 26-01	ENGINE PLATE		1
501 94 27-01	CLUTCH SPRING		1
501 94 28-01	CLUTCH ASSY		1
501 94 65-01	SCREW		1
503 20 51-01	SCREW CRCSFM		1
725 53 31-55	SCREW IHSCM		1
735 11 46-01	SPRING WASHER		1

M

* compl 501 93 46-01



CARBURETOR DETAILS

24H, 19921400001-Current

Part No	Description	Remark	QTY KIT
501 79 18-01	THROTTLE SET		1
501 79 19-01	ADJUSTMENT SCREW		1
501 79 20-01	METERING DIAPHRAGM. SET		1
501 79 23-01	LID		1
501 93 46-01	CARBURETTOR		1
501 93 47-01	SPACER		1
501 94 77-01	REPAIR KIT		1
502 19 26-01	THROTTLE WIRE		1
531 00 29-01	SPRING		1
531 00 29-04	DIAPHRAGM		1
531 00 29-05	GASKET		1
531 00 29-06	GASKET		1
531 00 29-07	DIAPHRAGM		1