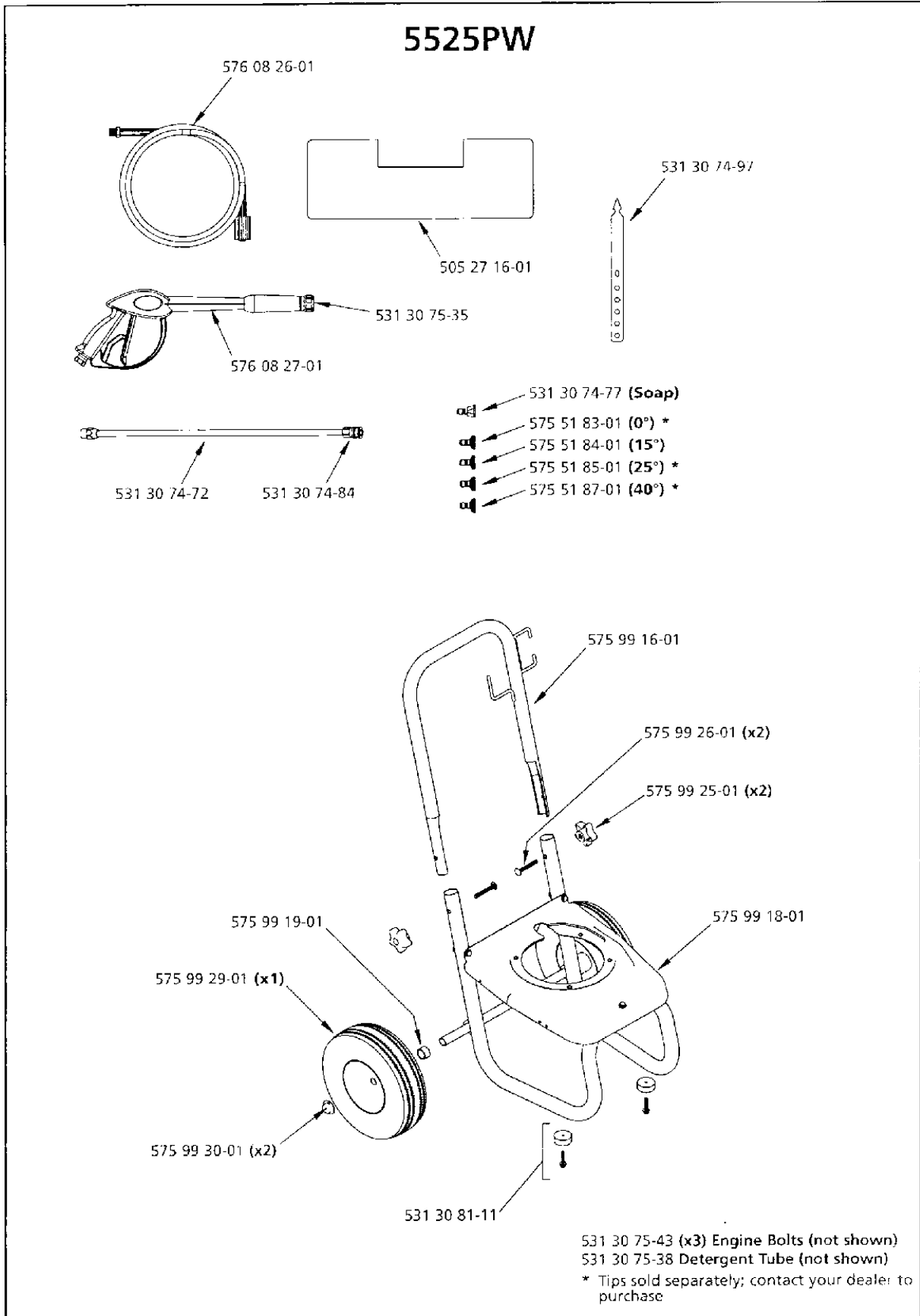




# SPARE PARTS LIST

PRESSURE WASHERS

5525PW 966872001, 2010-07



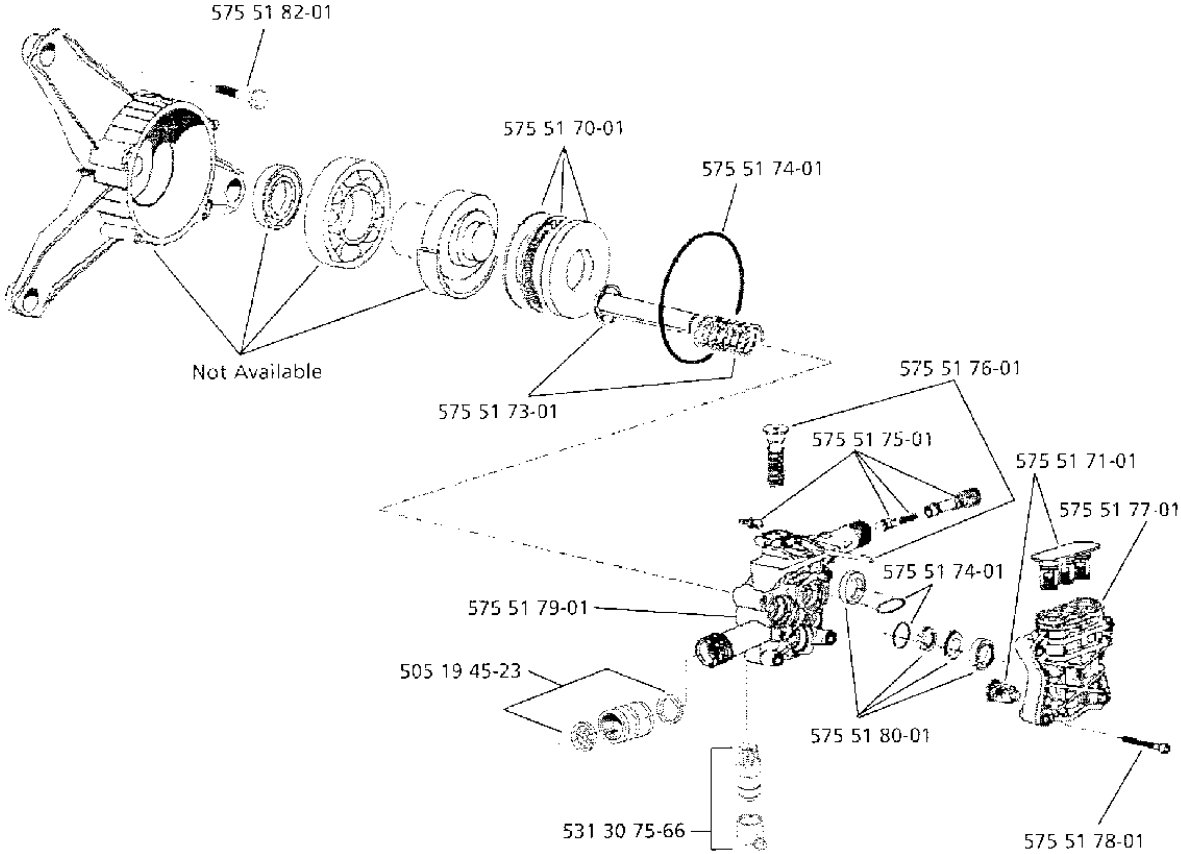
## FRAME

5525PW 966872001, 2010-07

Part No	Description	Remark	QTY KIT
505 27 16-01	DECAL		1
531 30 74-72	LANCE		1
531 30 74-77	NOZZLE	SOAP	1
531 30 74-84	O-RING		1
531 30 74-97	SPRAY TIP HOLDER		1
531 30 75-35	GUN		1
531 30 75-38	DETERGENT TUBE	NOT SHOWN	1
531 30 75-43	HARDWARE PACK, ENGINE MOUNT		4
531 30 81-11	RUBBER FOOT KIT- PW5525		2
575 51 83-01	NOZZLE	0°	1
575 51 84-01	NOZZLE	15°	1
575 51 85-01	NOZZLE	25°	1
575 51 87-01	NOZZLE	40°	1
575 99 16-01	HANDLE		1
575 99 18-01	CART		1
575 99 19-01	SPACER		1
575 99 25-01	KNOB		1
575 99 26-01	BOLT		2
575 99 29-01	WHEEL		1
575 99 30-01	NUT		2
576 08 26-01	HOSE		1
576 08 27-01	GUN		1

# Pump for 5525PW

575 51 69-01 Pump Assembly Complete



Key: P/O = Part Of Kit

## HYDRAULIC PUMP - MOTOR

5525PW 966872001, 2010-07

Part No	Description	Remark	QTY KIT
505 19 45-23	BRASS SWIVEL ASSEMBLY		1
531 30 75-66	ASSEMBLY		1
575 51 69-01	PUMP		1
575 51 70-01	BALL BEARING		1
575 51 71-01	VALVE		1
575 51 73-01	PISTON		1
575 51 74-01	O-RING		1
575 51 75-01	DETERGENT		1
575 51 76-01	VALVE ASSY		1
575 51 77-01	HEAD		1
575 51 78-01	HEAD		1
575 51 79-01	PISTON		1
575 51 80-01	SEAL		1
575 51 82-01	BOLT		1