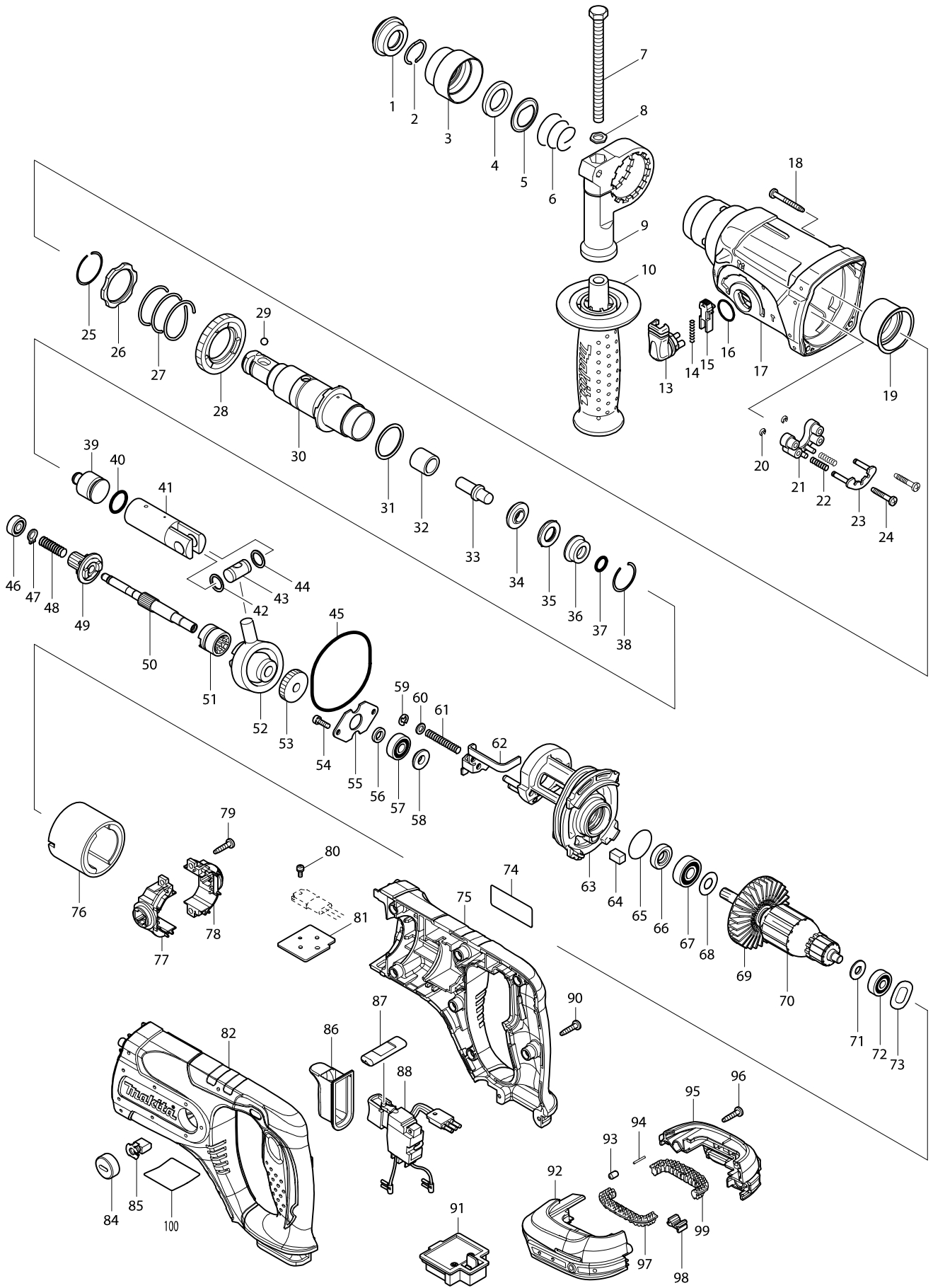


Model No. DHR241 CORDLESS COMBINATION HAMMER



Model No. DHR241 CORDLESS COMBINATION HAMMER

Item	Parts No.	Description	I/C	QTY	N/O	Opt. 1	Opt. 2	NOTE
001	286263-4	CAP 35		1	100			
002	233940-9	RING SPRING 19		1	100			
003	417629-9	CHUCK COVER		1	100			
004	257241-1	RING 21		1	100			
005	345187-4	GUIDE WASHER		1	100			
006	233916-6	CONICAL COMP. SPRING 21-29		1	100			
007	921923-8	HEX. BOLT M8X120		1	100			
008	345280-4	HEX. WASHER		1	100			
009	417630-4	GRIP BASE		1	100			
010	158057-6	GRIP 36 COMPLETE		1				
C10	931402-8	HEX. NUT M8		1	100			
013	162245-9	CHANGE LEVER		1	100			
014	233459-8	COMPRESSION SPRING 3		1	100			
015	419192-8	LOCK BUTTON		1	100			
016	213278-8	O RING 17		1	100			
017	158216-2	GEAR HOUSING COMPLETE		1	100			
C10	213345-9	OIL SEAL 25		1	100			
018	266351-3	TAPPING SCREW 4X35		4	100			
019	153290-5	NEEDLE BEARING COMPLETE		1	100			
020	961017-7	STOP RING E-3		2	100			
021	417796-0	GUIDE BASE		1	100			
022	233344-5	COMPRESSION SPRING 4		2	100			
023	163430-7	LOCK PLATE COMPLETE		1	100			
024	266374-1	TAPPING SCREW 4X25		2	100			
025	233929-7	RING SPRING 29		1	100			
026	267460-1	WASHER 31		1	100			
027	233401-9	COMPRESSION SPRING 32		1	100			
028	227109-5	SPUR GEAR 51		1	100			
029	216022-2	STEEL BALL 7.0		1	100			
030	158574-6	TOOL HOLDER COMPLETE		1	100			
031	267229-3	FLAT WASHER 28		1	100			
032	331769-8	SLEEVE 9		1	100			
033	324669-9	IMPACT BOLT		1	100			
034	324402-9	RING 10		1	100			
035	421955-0	CUSHION RING 13		1	100			
036	324216-6	O RING CASE		1	100			
037	213073-6	O RING 9		1	100			
038	233917-4	RING SPRING 28		1	100			
039	324214-0	STRIKER		1	100			
040	213227-5	O RING 16		1	100			
041	318132-2	PISTON CYLINDER		1	100			
042	267104-3	FLAT WASHER 12		1	100			
043	324215-8	PISTON JOINT		1	100			
044	267104-3	FLAT WASHER 12		1	100			
045	213727-5	O-RING 63		1	100			
046F	211012-0	BALL BEARING 606ZZ		1	*	100		
046G	211012-0	BALL BEARING 606ZZ		1	*	100		
046H	211012-0	BALL BEARING 606ZZ		1	*	100		

Model No. DHR241 CORDLESS COMBINATION HAMMER

Item	Parts No.	Description	I/C	QTY	N/O	Opt. 1	Opt. 2	NOTE
046I	211012-0	BALL BEARING 606ZZ		1	*	100		
046-1F	210028-2	BALL BEARING 606ZZ	O	1		100		
046-1G	210028-2	BALL BEARING 606ZZ	O	1		100		
046-1H	210028-2	BALL BEARING 606ZZ	O	1		100		
046-1I	210028-2	BALL BEARING 606ZZ	O	1		100		
046-1J	210028-2	BALL BEARING 606ZZ		1		100		
047	961003-8	RETAINING RING S-7		1		100		
048	233343-7	COMPRESSION SPRING 7		1		100		
049	227179-4	SPUR GEAR 10		1		100		
050	324668-1	CAM SHAFT		1		100		
051	331992-5	CLUTCH CAM		1		100		
052	219014-0	SWASH BEARING 10		1		100		
053	226632-7	HELICAL GEAR 25		1		100		
054	266273-7	HEX. SOCKET HEAD BOLT M4X12		2		100		
055	345179-3	BEARING RETAINER		1		100		
056	267234-0	FLAT WASHER 8		1		100		
057F	211032-4	BALL BEARING 608ZZ		1	*	100		
057G	211032-4	BALL BEARING 608ZZ		1	*	100		
057H	211032-4	BALL BEARING 608ZZ		1	*	100		
057I	211032-4	BALL BEARING 608ZZ		1	*	100		
057-1F	210029-0	BALL BEARING 608ZZ	O	1		100		
057-1G	210029-0	BALL BEARING 608ZZ	O	1		100		
057-1H	210029-0	BALL BEARING 608ZZ	O	1		100		
057-1I	210029-0	BALL BEARING 608ZZ	O	1		100		
057-1J	210029-0	BALL BEARING 608ZZ		1		100		
058	324212-4	RING 8		1		100		
059	961011-9	STOP RING E-4		1		100		
060	941102-2	FLAT WASHER 5		1		100		
061	233342-9	COMPRESSION SPRING 6		1		100		
062	345363-0	CHANGE PLATE		1		100		
063	141574-3	INNER HOUSING COMPLETE		1		100		
065	213407-3	O RING 26		1		100		
066	213077-8	OIL SEAL 10		1		100		
067	210059-1	BALL BEARING 6000DDW		1		100		
068	267213-8	FLAT WASHER 10		1		100		
069	240092-9	FAN 64		1		100		
070	519226-8	ARMATURE ASS'Y 18V		1		151		
D10		INC. 67-69,71,72						
071	253823-7	FLAT WASHER 7		1		100		
072	210023-2	BALL BEARING 627DDW		1		100		
073	267816-8	WAVE WASHER 15		1		100		
074	815J32-2	DHR241 NAME PLATE 20MM		1				
075	188577-6	HOUSING SET		1		100		
D10		INC. 82						
076	638020-0	YOKE UNIT		1		100		
077	638926-2	BRUSH HOLDER COMPLETE		1		100		
079	266326-2	TAPPING SCREW 4X18		2		100		
080	911011-9	PAN HEAD SCREW M3X10		1		100		

Model No. DHR241 CORDLESS COMBINATION HAMMER

Item	Parts No.	Description	I/C	QTY	N/O	Opt. 1	Opt. 2	NOTE
081	689070-8	HEAT SINK		1	100			
082	188577-6	HOUSING SET		1	100			
D10		INC. 75						
084	643829-7	HOLDER CAP		2	100			
085	194435-6	CARBON BRUSH CB-441		1	100			
086	424111-1	SWITCH COVER		1	100			
087	450615-7	F/R CHANGE LEVER		1	100			
088	650655-7	SWITCH TG553FSB-7B		1	100			
090	266326-2	TAPPING SCREW 4X18		7	100			
091	644808-8	TERMINAL		1	100			
092	187212-3	BATTERYHOUSING SET		1	100			
D10		INC. 95						
093	263036-2	RUBBER PIN 5		1	100			
094	268184-2	PIN 1.5		1	100			
095	187212-3	BATTERYHOUSING SET		1	100			
D10		INC. 92						
096	266326-2	TAPPING SCREW 4X18		2	100			
097	424042-4	CUSHION RUBBER		1	100			
098	424476-1	CUSHION		1	100			
099	424042-4	CUSHION RUBBER		1	100			
100	815J42-9	DHR241 SERIAL NO. LABEL		1				
101	123100-0	TOOL HOLDER ASS'Y		1	100			
D10		INC. 25-28,30,32-38						
A01	324219-0	DEPTH GAUGE		1				
A02F	***DC18RC	DC18RC FAST CHARGER		1				
A02H	***DC18RC	DC18RC FAST CHARGER		1				
A02J	***DC18RC	DC18RC FAST CHARGER		1				
A03F	194204-5	BATTERY BL1830 SET		2	*			
A03H	194204-5	BATTERY BL1830 SET		2	*			
A03-1F	194204-5	BATTERY BL1830 SET	O	2	*			
A03-1H	194204-5	BATTERY BL1830 SET	O	2	*			
A03-1J	196399-0	BATTERY BL1840 SET		2	*			
A03-2F	197600-6	BATTERY BL1830B SET	<	2				
A03-2H	197600-6	BATTERY BL1830B SET	<	2				
A03-2J	197265-4	BATTERY BL1840B SET	<	2				
A04F	450128-8	BATTERY COVER		1				
A04H	450128-8	BATTERY COVER		2				
A04J	450128-8	BATTERY COVER		2				
A05F	141643-0	PLASTIC CASE COMPLETE		1				
C10	163455-1	LATCH		2				
A05H	821551-8	CONNECTOR PLASTIC CASE (TYPE3)		1				
C10	453974-8	LATCH		4	100			
A05I	821551-8	CONNECTOR PLASTIC CASE (TYPE3)		1				
C10	453974-8	LATCH		4	100			
A05J	821551-8	CONNECTOR PLASTIC CASE (TYPE3)		1				
C10	453974-8	LATCH		4	100			
A06H	837641-7	INNER TRAY		1				
A06I	837641-7	INNER TRAY		1				

