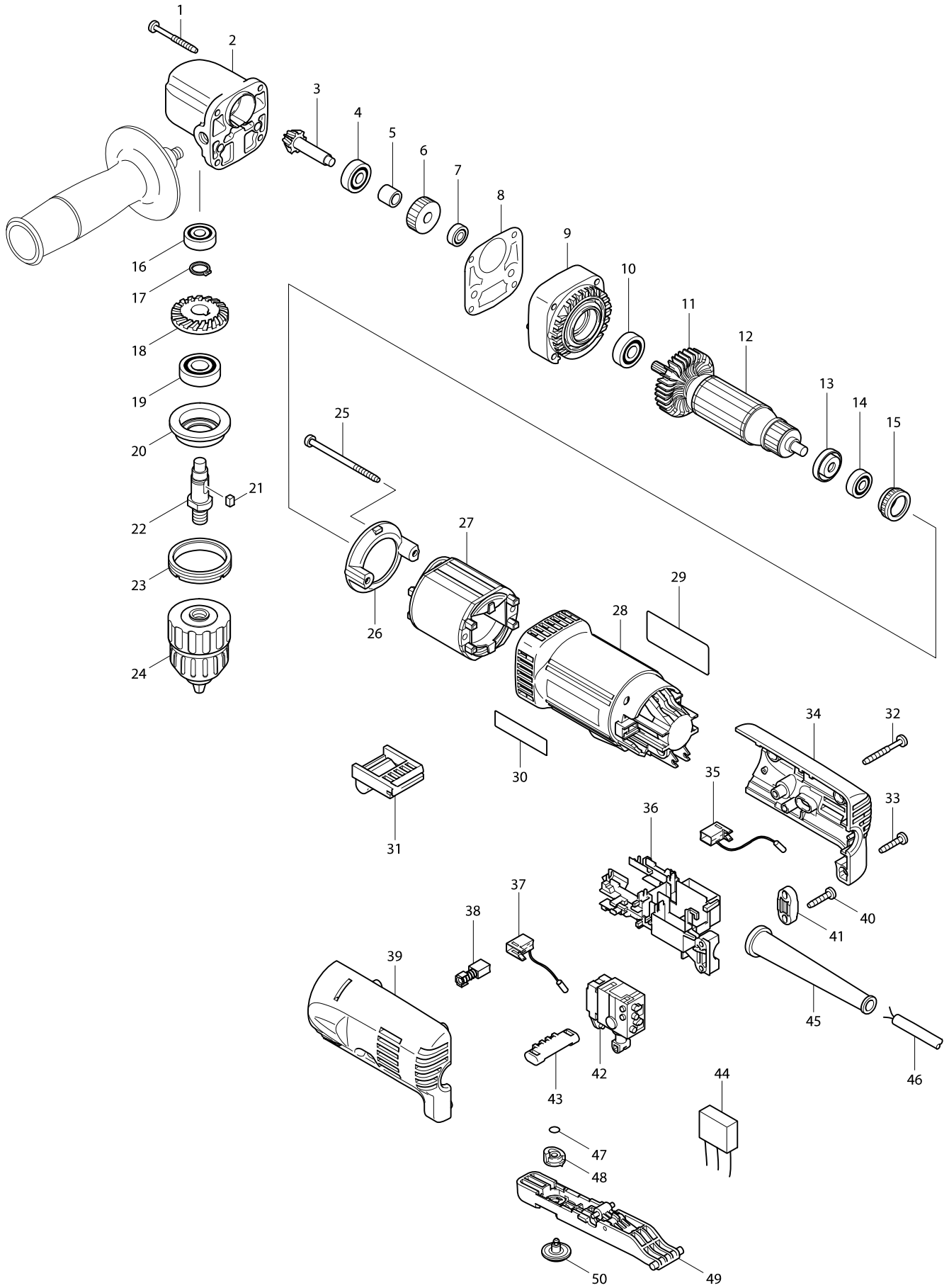


Model No. DA3011 ANGLE DRILL 10MM



Model No. DA3011 ANGLE DRILL 10MM

Item	Parts No.	Description	I/C	QTY	N/O	Opt. 1	Opt. 2	NOTE
001	266048-4	TAPPING SCREW 4X40		4		100		
002	317634-5	GEAR HOUSING		1		100		
003	227435-2	SPIRAL BEVEL GEAR 9		1		100		
004	211031-6	BALL BEARING 608LLB		1	*	100		
004-1	210029-0	BALL BEARING 608ZZ	O	1		100		
005	257726-7	SLEEVE 8		1		100		
006	226567-2	HELICAL GEAR 28		1		100		
007	210026-6	BALL BEARING 696ZZ		1		100		
008	418036-9	GASKET		1		100		
009	418042-4	GEAR HOUSING COVER		1		100		
010	211051-0	BALL BEARING 609LLB		1		100		
011	240061-0	FAN 48		1		100		
D10		INC. 10,11,13,14						
012A	517581-2	ARMATURE ASS'Y 115V		1		151		
012B	517583-8	ARMATURE ASS'Y 220-240V		1		151		
013	681636-0	INSULATION WASHER		1		100		
014	211021-9	BALL BEARING 607LLB		1		100		
015	421494-0	RUBBER RING 19		1		100		
016	211031-6	BALL BEARING 608LLB		1	*	100		
016-1	210029-0	BALL BEARING 608ZZ	O	1		100		
017	961052-5	RETAINING RING S-12		1		100		
018	227434-4	SPIRAL BEVEL GEAR 26		1		100		
019	211131-2	BALL BEARING 6001DDW		1		100		
020	317633-7	BEARING BOX		1		100		
021	254201-4	KEY 4		1		100		
022	324329-3	SPINDLE		1		100		
023	285842-5	BEARING RETAINER 36-43		1		100		
024	763132-1	KEYLESS DRILL CHUCK 10		1				
025	266315-7	TAPPING SCREW MT 4X65		2		100		
026	418033-5	BAFFLE PLATE		1		100		
027A	635076-4	FIELD		1		152		
027B	635078-0	FIELD		1		152		
028	183560-8	MOTOR HOUSING		1		100		
D10		INC. 30						
029	850087-0	NAME PLATE DA3011		1		100		
030	819063-3	MAKITA LABEL		1		100		
031	418039-3	COVER		1		100		
032	266053-1	TAPPING SCREW 4X35		1		100		
033	265995-6	TAPPING SCREW 4X18		3		100		
034	183559-3	REAR COVER SET		1		100		
D10		INC. 39						
035	643801-9	BRUSH HOLDER		1		100		
036	687139-2	SUPPORT		1		100		
037	643801-9	BRUSH HOLDER		1		100		
038	191962-4	CARBON BRUSH CB-419		1		100		
039	183559-3	REAR COVER SET		1		100		
D10		INC. 34						
040	265995-6	TAPPING SCREW 4X18		2		100		

