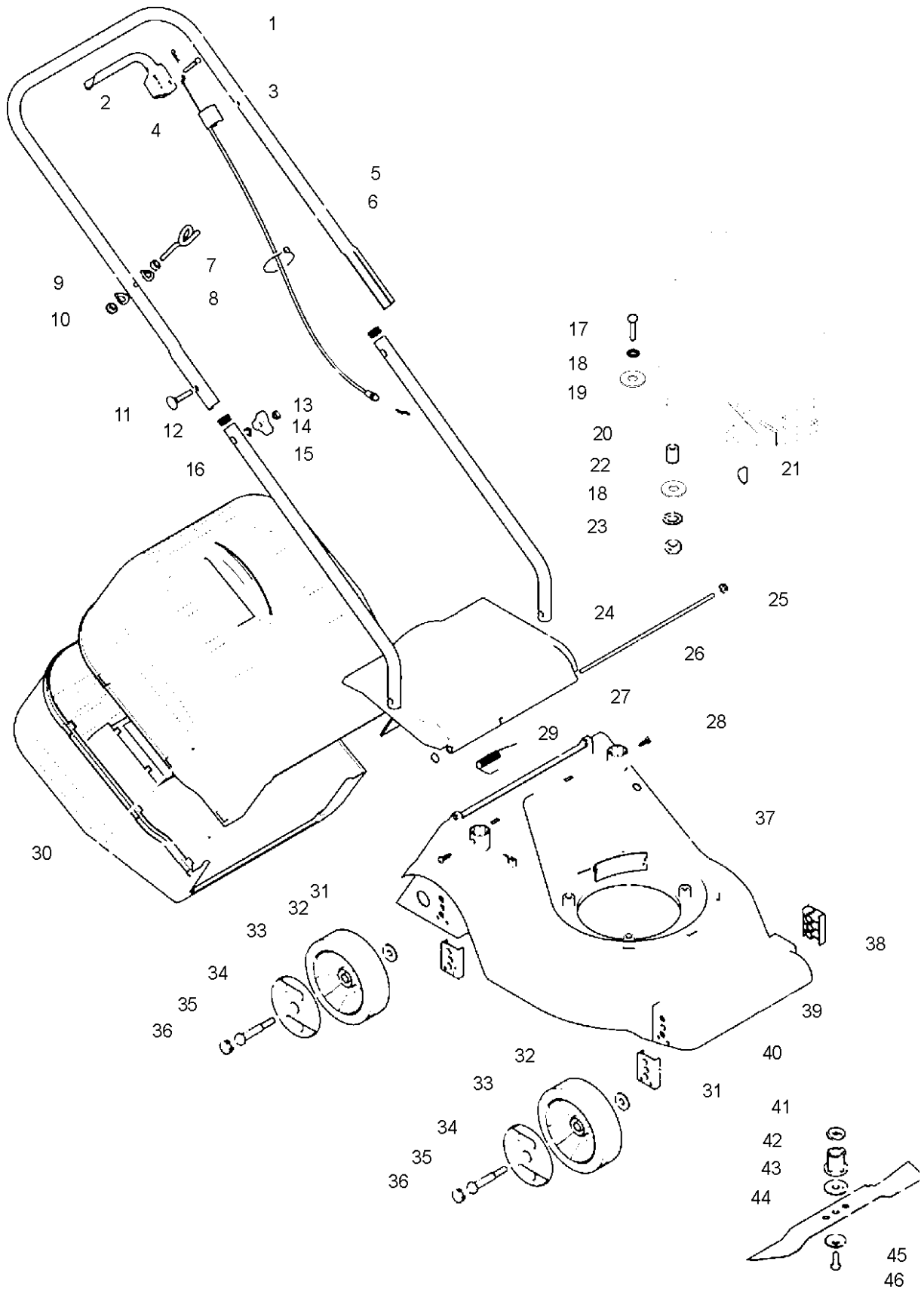




SPARE PARTS LIST

LAWN MOWERS: CONSUMER
WALK-BEHINDS

M40-450 CPR, 965984501, 2009-01



Ref	Part No	Description	Remark	QTY KIT
1	531 20 74-08	PIN RETAINING SCREW		1
2	531 20 60-27	HANDLE		1
3	531 20 74-09	PIN RETAINING SCREW		1
4	531 20 64-38	WIRE		1
5	531 21 30-22	HANDLE		1
6	513 08 42-00	BAND		2
7	531 20 51-69	PIN RETAINING SCREW		1
8	514 86 83-00	NUT		1
9	531 20 49-61	WASHER		2
10	514 71 80-00	NUT		1
11	514 99 45-01	BOLT		2
12	531 20 89-50	PLUG		2
13	531 20 79-82	NUT		2
14	531 20 49-23	WING NUT		2
15	531 20 70-90	WASHER		2
16	531 21 07-04	HANDLE		2
17	531 20 71-07	SCREW		3
18	510 74 70-00	LOCKWASHER		6
19	531 20 57-32	SPACER		3
20	531 20 64-17	SPACER		3
21	514 00 53-00	KEY		1
22	531 20 49-04	WASHER		3
24	531 20 79-82	NUT		3
24	531 20 98-16	ET.PITTOGRAMMI RAS. A SCOPPIO		1
25	531 20 66-90	WASHER		2
26	531 20 64-16	SHAFT		1
27	531 20 63-90	DEFLECTOR		1
28	531 20 79-37	SCREW		2
29	531 20 63-99	SPRING		1
30	531 20 63-95	BAG		2
31	531 20 64-19	BRACKET		2
32	531 20 79-89	WASHER		4
33	531 20 64-01	WHEEL		4
34	531 20 64-05	HUB CAP		4
35	531 20 79-77	SCREW		4
36	531 20 64-22	COVER		4
37	531 20 64-55	COVER		1
38	531 20 64-15	BRACKET		2
39	523 04 57-01	LABEL		1
40	531 21 31-83	DECK		1
41	514 96 19-00	WASHER		3
42	531 20 72-42	ADAPTER		1
43	531 20 72-43	WASHER		1
44	531 21 16-53	MOWER BLADE		1
45	531 20 72-37	WASHER		1
46	531 20 70-86	SCREW		1