



### Stihl TS400 Disc Cutter

Coppice Side Industrial Estate  
West Coppice Road  
Brownhills, Walsall WS8 7HB

Tel. 01543 378189

Fax. 01543 370006

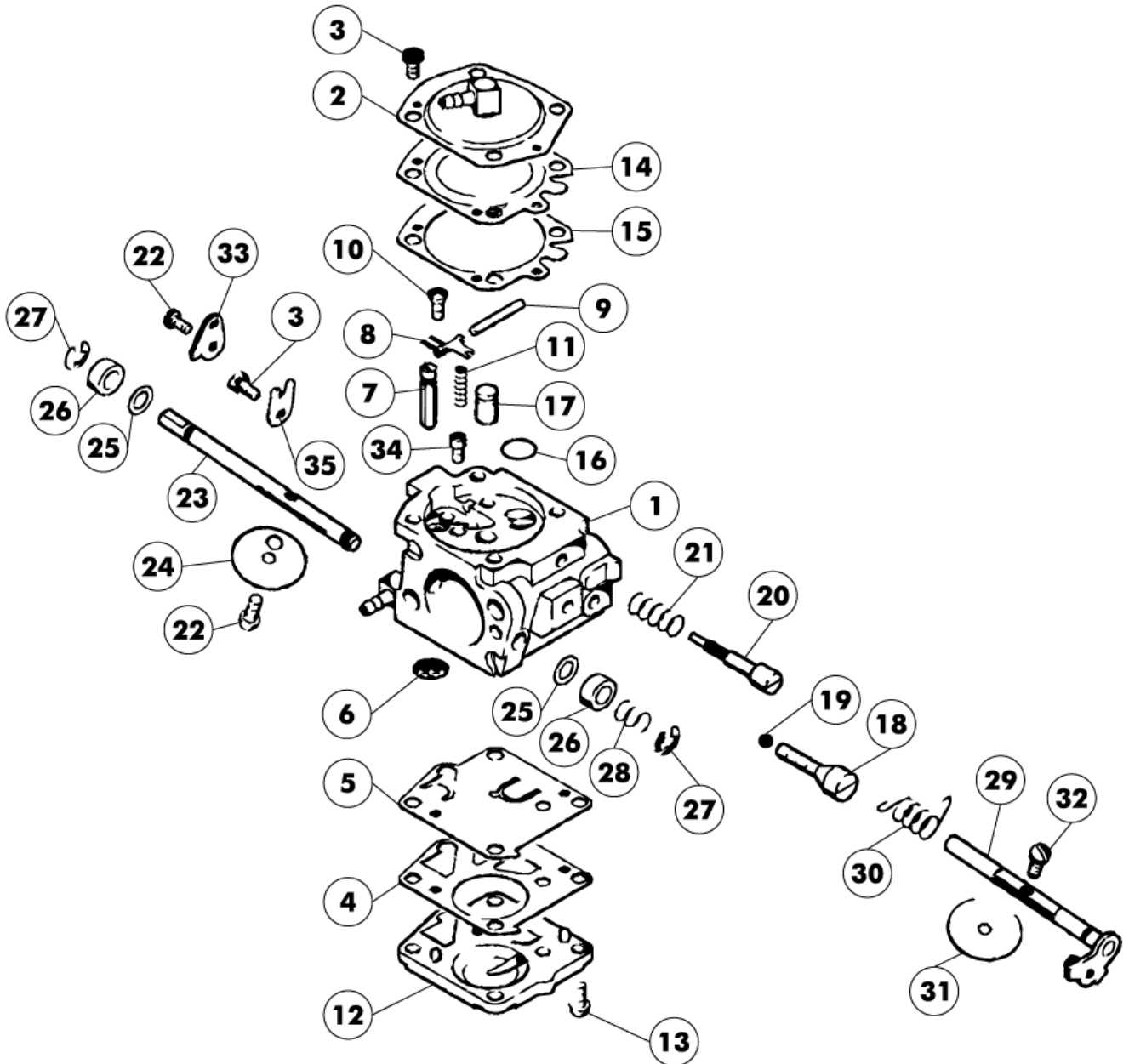
[sales@lseengineers.co.uk](mailto:sales@lseengineers.co.uk)

[www.lseengineers.co.uk](http://www.lseengineers.co.uk)

**Walbro Carburettor Assembly**

**Stihl TS400 Disc Cutter**

**Walbro Carburettor Assembly**



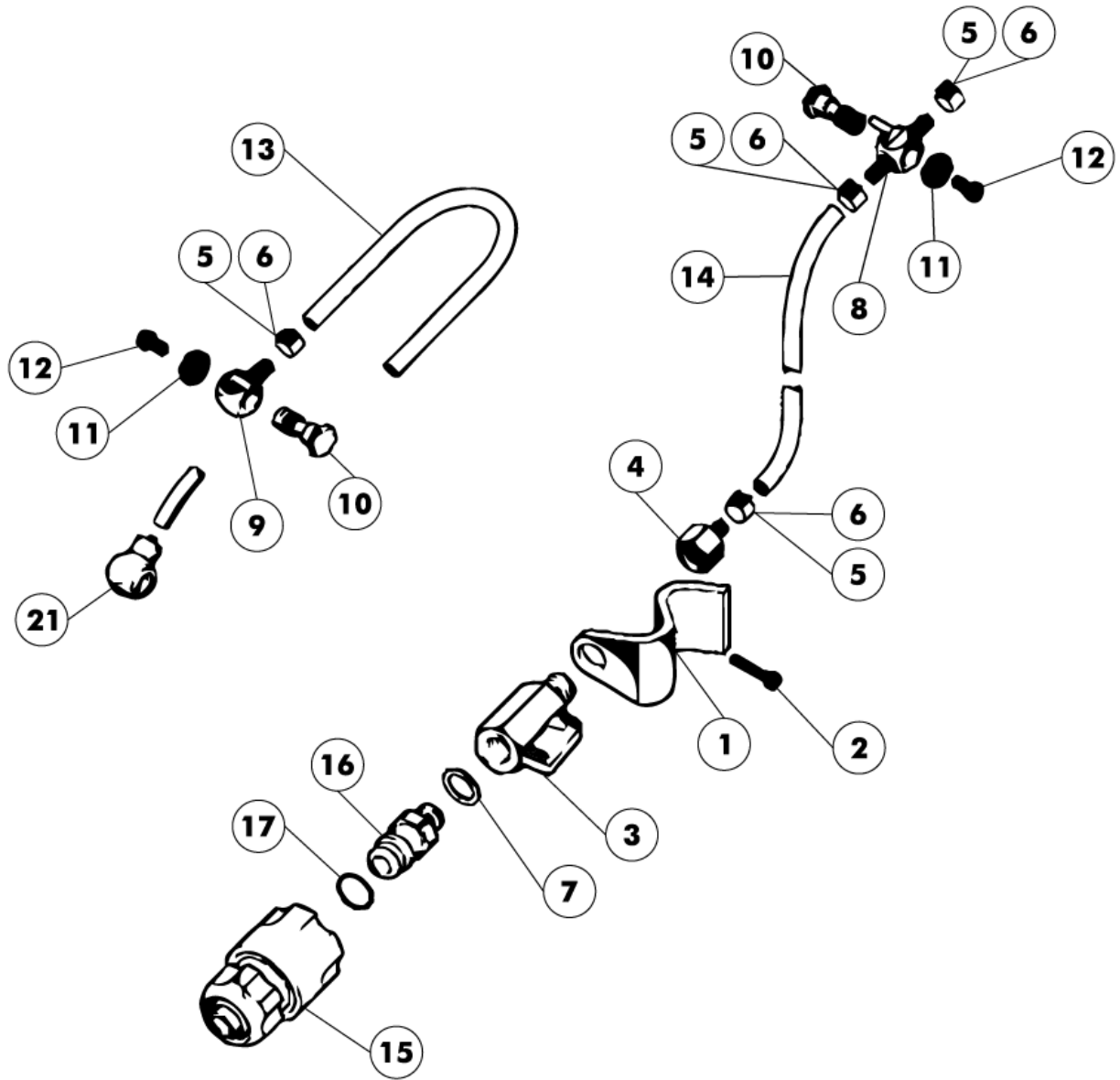
## Walbro Carburettor Assembly

Ref.	Part No.	Details
0	1122 007 1060	Set of carburetor parts
1	400 122	Non Genuine Carb
1	4223 120 0653	Genuine Walbro WJ-108A Carb
3	1106 122 7400	Round head screw
4	1115 129 1100	Gasket
5	1115 121 4800	Pump diaphragm
6	1114 121 7800	Strainer
7	1110 121 5100	Inlet needle
8	1117 121 5000	Inlet control lever
9	1117 121 9200	Spindle
10	1114 122 7400	Round head screw
11	1117 122 3005	Spring
12	1115 120 0800	End cover
13	1115 122 7100	Round head screw
14	1117 121 4700	Metering diaphragm
15	1116 129 0900	Gasket
16	1122 121 0700	Cup plug
19	1122 121 7700	Clamp
20	4223 122 6802	Low Speed Adjustment Screw
21	1128 122 3003	Spring
22	1121 122 7102	Round head screw
23	4223 120 7201	Choke Shaft
24	4223 121 2901	Choke Shutter
25	4223 122 3601	Sealing Ring
26	4223 121 9400	Ring
27	1117 122 9000	E-clip
28	4223 122 3001	Spring
29	4223 120 7102	Throttle Shaft With Lever
30	1122 122 3200	Torsion spring
31	1115 121 3301	Throttle shutter
32	1115 122 7400	Round head screw
35	1110 122 9300	Clip

**Water Kit Assembly**

**Stihl TS400 Disc Cutter**

**Water Kit Assembly**



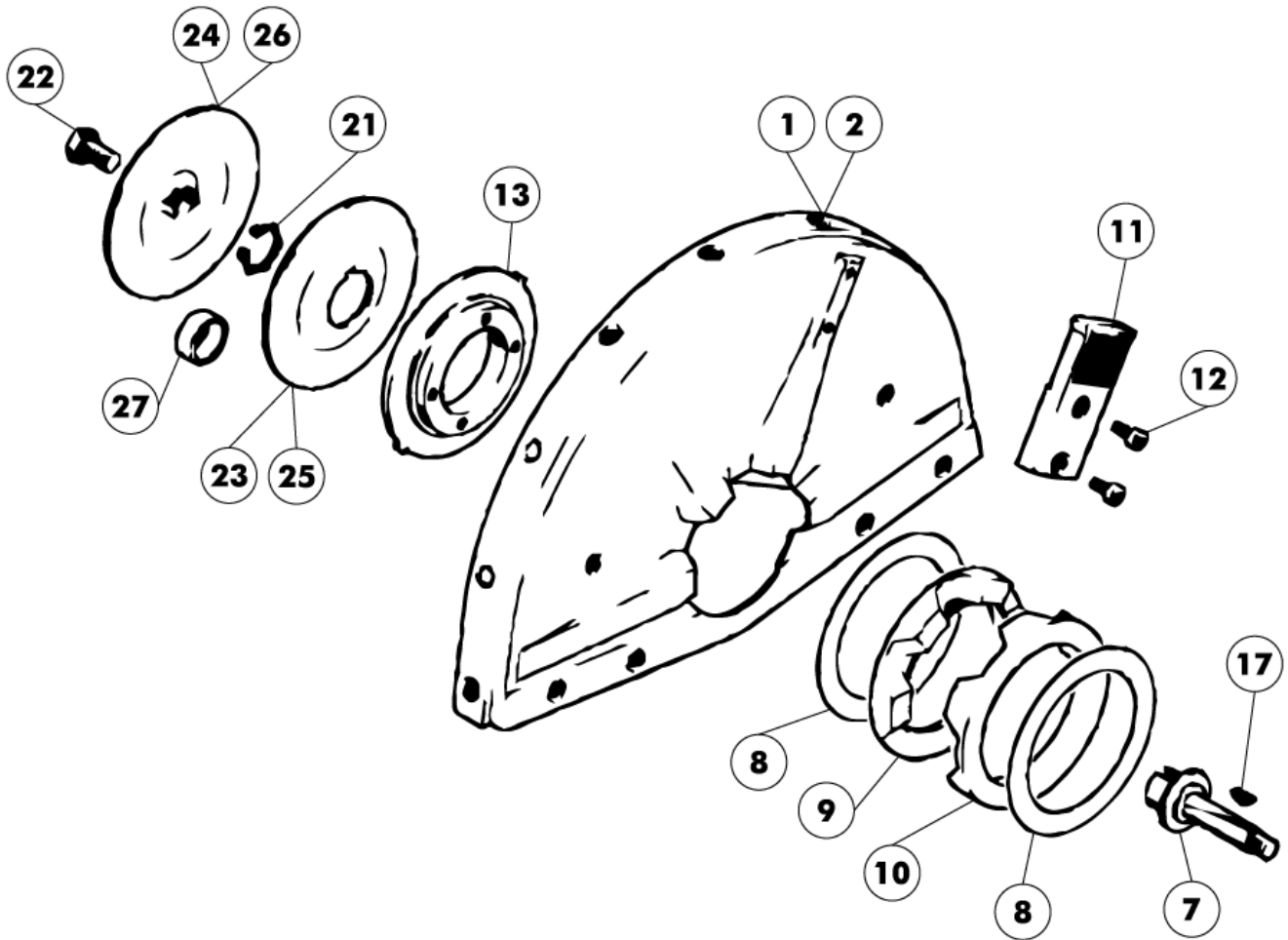
## Water Kit Assembly

Ref.	Part No.	Details
0	400 135	Water Kit (non genuine)
0	4201 007 1038	Water attachment kit
1	4201 700 6802	Bracket
2	9022 341 0960	Spline Screw Is-M5x12
3	4201 700 4500	Shut-off cock 1/4"
4	4238 677 8200	Connector
5	9771 021 0921	Hose clip 10/7
7	0000 954 1701	Sealing ring
8	4224 677 8201	Connector
9	4224 677 8202	Connector
10	4201 708 8400	Banjo bolt
11	9211 021 8900	Hexagon nut G 1/8 Inches
12	9041 216 0950	Pan Head Screw M5x10
16	400 160	Non-Gen Hose connector
16	4201 700 7300	Hose connector (incl.35)
17	9645 945 7506	O-ring 10x3
22	0000 937 4049	Hose 5.6x1.9 mm x 1 m

**Blade Guard Assembly**

**Stihl TS400 Disc Cutter**

**Blade Guard Assembly**



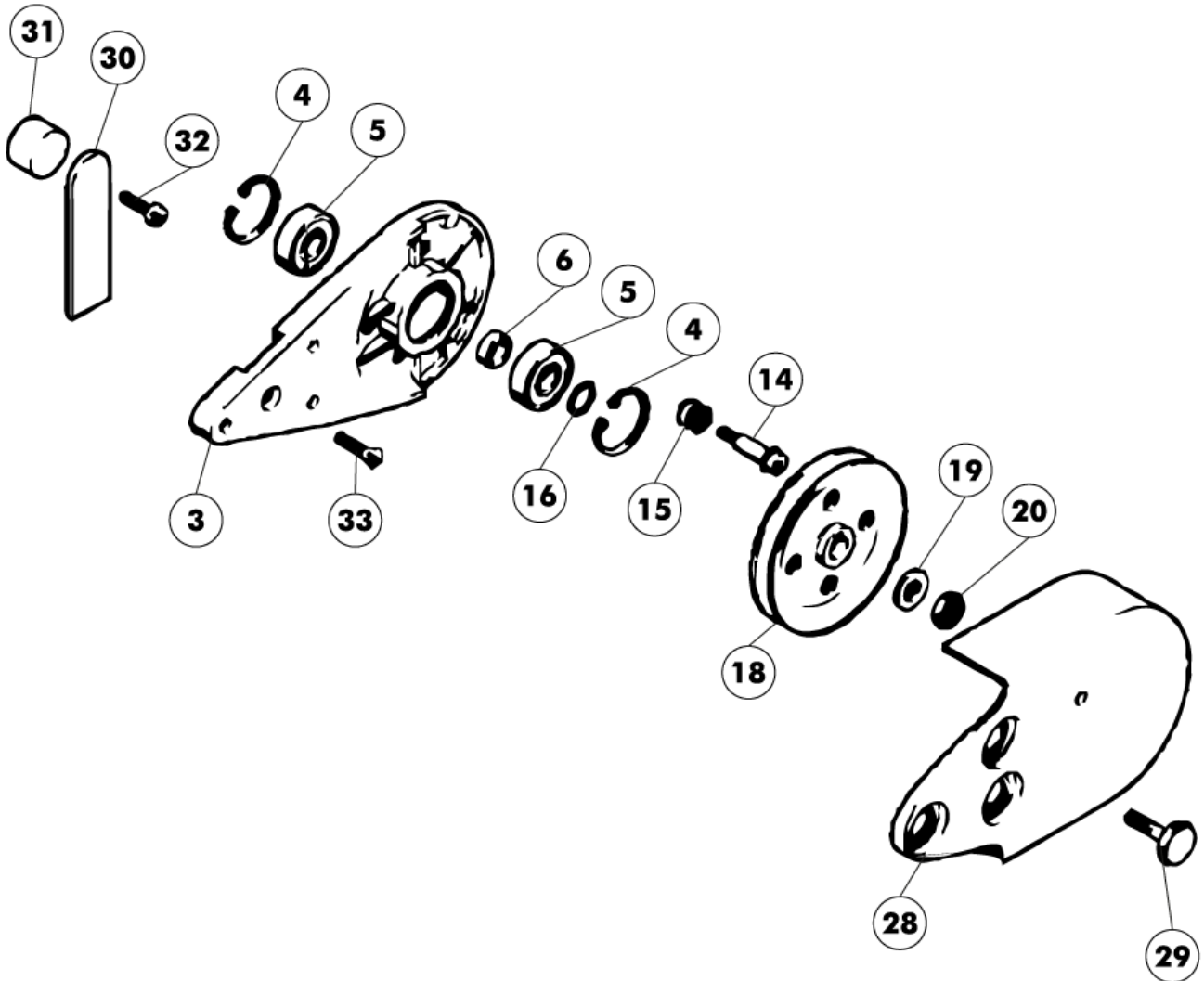
## Blade Guard Assembly

Ref.	Part No.	Details
1	4238 700 8110	Guard Diameter 300 mm / 12 Inches
2	4224 700 8103	Guard Diameter 350 mm / 14 Inches
7	4201 704 0504	Shaft
8	4201 706 9202	Washer
9	4221 706 8800	Rubber ring
10	4221 706 8801	Rubber ring
11	4223 700 2900	Adjusting lever
12	9022 341 0960	Spline Screw Is-M5x12
13	4205 706 2903	Flange
21	9450 721 2150	E-clip 20x1.2
22	4201 708 8402	Hexagon head screw M10x18
23	4201 708 3004	Thrust washer Diameter 103 mm
24	4201 708 3014	Thrust washer Diameter 103 mm
26	4205 708 3010	Outer Blade Washer (118mm)

**Bearing Housing Assembly**

**Stihl TS400 Disc Cutter**

**Bearing Housing Assembly**





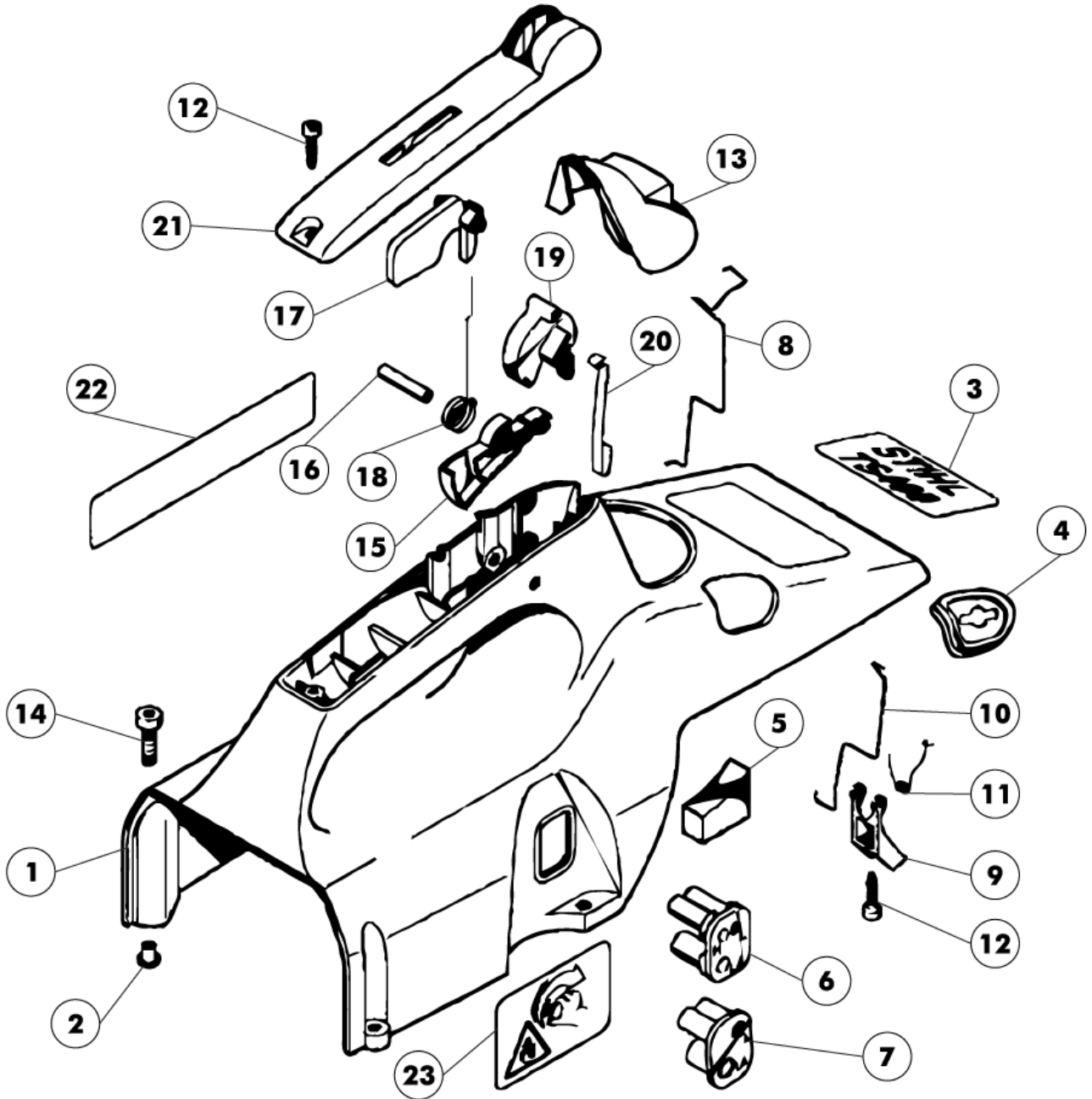
## Bearing Housing Assembly

Ref.	Part No.	Details
3	4205 791 3902	Support
4	9456 621 3600	Circlip 32x1.2
5	9503 003 6440	Grooved Ball Bearing 6201-2rs
6	0000 961 1206	Ring
14	4223 710 9500	Adjusting screw (incl.16)
15	0000 997 1303	Compression spring
16	0000 958 1212	Washer
18	4201 700 2504	V-belt pulley
19	9291 021 0200	Washer 10.5
28	4223 700 8100	Guard
29	4201 708 8401	Hexagon head screw M8x42
30	4201 790 6005	Limit stop
31	4201 790 9302	Rubber buffer
32	9041 216 1230	Pan head screw M6x8

**Shroud Assembly**

**Stihl TS400 Disc Cutter**

**Shroud Assembly**



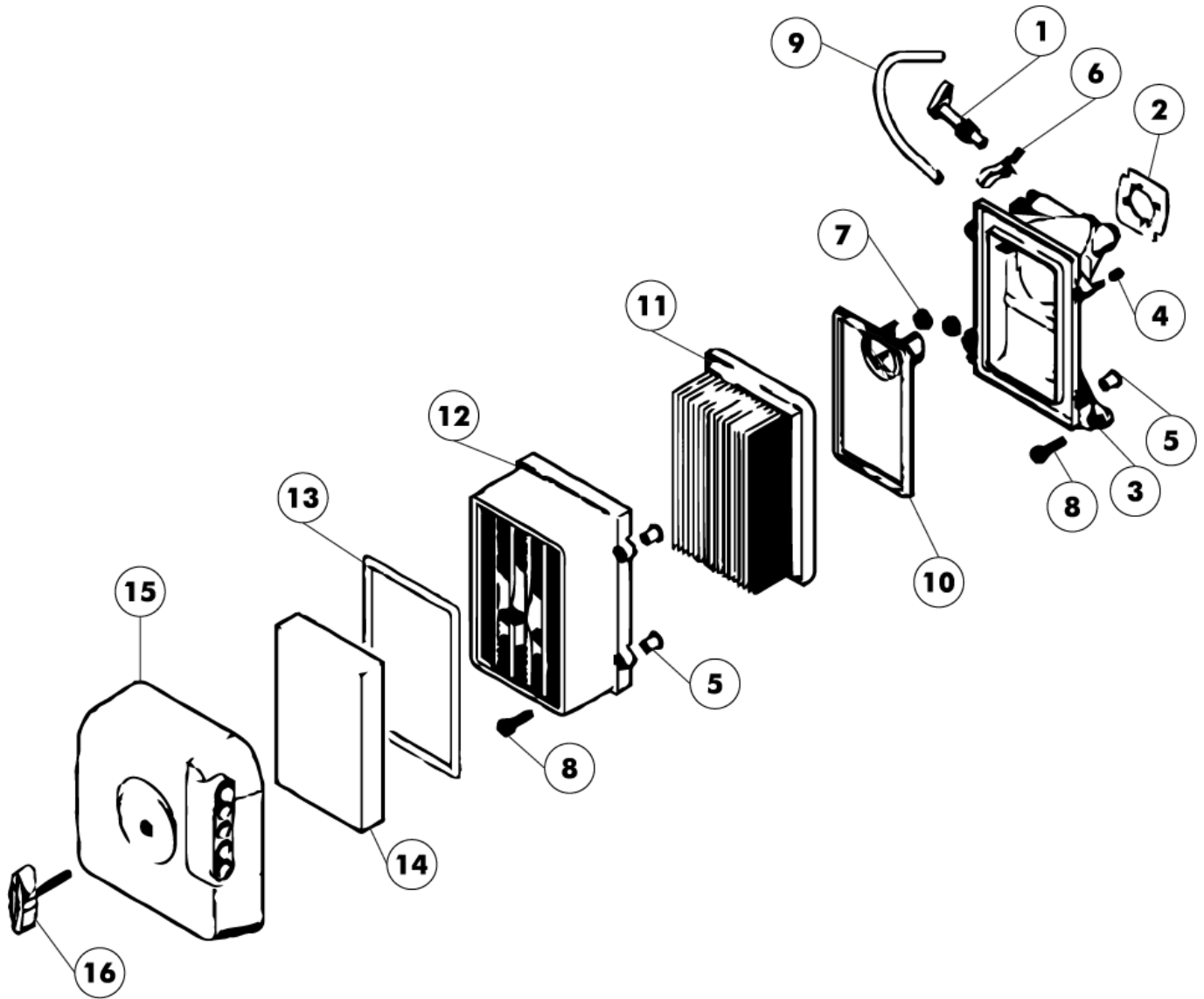
## Shroud Assembly

Ref.	Part No.	Details
1	4223 080 1605	Shroud Assembly (incl. 1 - 5, 9 - 13, 15 - 22)
2	4223 080 1604	Bare Shroud
2	9416 868 6630	Hollow rivet 6.5x0.5x6.8
3	4223 967 1500	Name Plate
4	4223 084 7400	Grommet
5	4223 431 8300	Insert
6	4223 123 7500	Grommet
7	4223 123 7501	Grommet
8	4223 182 1500	Throttle Rod
9	4223 435 6000	Clamp
10	4223 435 1100	Stop Rod
11	4223 435 2100	Hook On Spring
12	9075 478 3015	Pan Head Self-Tapping Screw Is-D4x15
13	4223 084 7100	Cap
14	9022 371 1020	Pan Head Screw Is M5x20
15	4223 182 1000	Throttle Trigger
16	9371 470 2640	Cylindrical pin 5x24
17	4223 182 0800	Throttle Trigger Interlock
18	1117 182 4500	Torsion spring
19	4223 182 0900	Control Shaft
20	4223 182 4700	Flat Spring
21	4223 791 0600	Handle Moulding
22	0000 967 3702	Warning pictogram TS

**Air Filter Assembly**

**Stihl TS400 Disc Cutter**

**Air Filter Assembly**



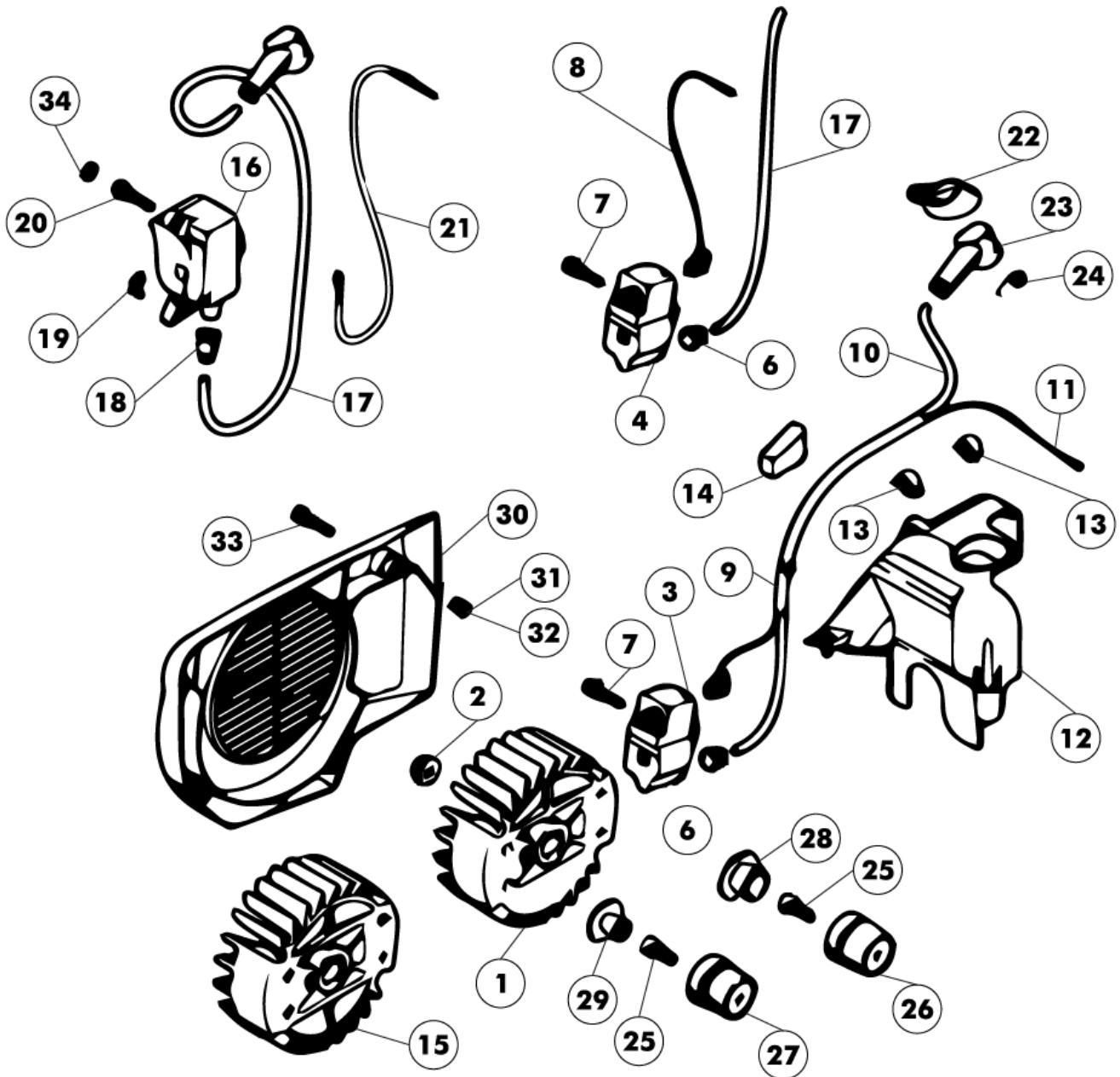
## Air Filter Assembly

Ref.	Part No.	Details
1	4223 121 6101	Choke Lever
2	4221 129 0903	Gasket
3	4223 120 3402	Filter Base
4	4223 124 4000	Cap
5	9416 868 6630	Hollow rivet 6.5x0.5x6.8
6	4223 121 2400	Flat spring
7	9220 260 0700	Hexagon Nut M5 ((2 - 3 Nm))
8	9022 371 1020	Pan Head Screw Is M5x20
9	0000 930 2803	Hose 3.1x5.7 Mm X 1 M, R3
10	4223 140 1800	Secondary Filter
10	400 117	Secondary Filter (non genuine)
11	400 118	Non-Gen Air filter
11	4223 141 0300	Air filter
12	4223 140 2800	Filter Housing
13	4223 149 0500	Gasket
14	400 114	Sponge Pre Filter (non genuine)
14	4223 141 0600	Sponge Pre Filter
15	4223 141 0500	Filter Cover
16	4223 140 9300	Locking Screw

**Ignition System Assembly**

**Stihl TS400 Disc Cutter**

**Ignition System Assembly**



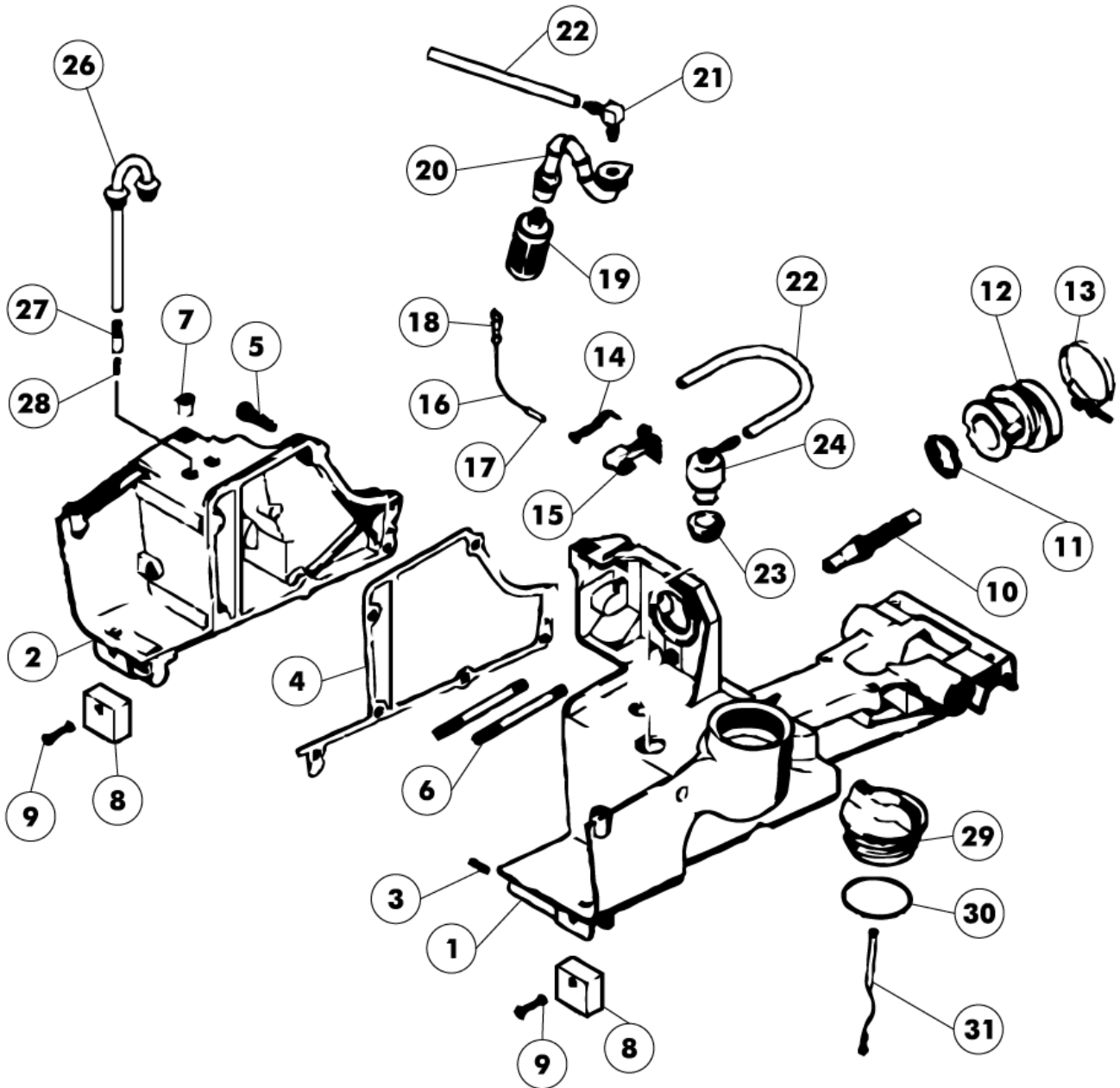
## Ignition System Assembly

Ref.	Part No.	Details
1	4223 400 1201	Flywheel (after S/N. 154117859)
2	0000 955 0802	Collar Nut M8x1
3	7009 871 0145	Ignition Module Kit (incl. 3,9,12,13)
3	4223 400 1303	Ignition Module (after S/N. 154117859)
6	0000 989 1002	Grommet
7	9022 341 1019	Spline screw IS-M5x20
8	4223 440 1101	L.T Lead (new type)
9	4223 007 1015	Conversion Kit
9	4223 440 3001	Wiring Harness
12	4223 080 0900	Air Shroud (incl. 13)
13	4223 701 3300	Cable Clamp
14	4223 431 8300	Insert
15	4223 400 1200	Flywheel - Old Type (up to S/N 154117859)
16	4223 400 1300	Ignition module (incl.4 - 6)
17	350 102	H.T Lead 5mm Per Metre
18	0000 989 1010	Grommet
19	0000 448 1201	Lead retainer
21	4223 440 1100	L.T. Lead (old type)
22	4223 084 1600	Cover
23	1128 405 1000	Spark plug boot
24	0000 998 0604	Spark Plug Contact Spring
25	9022 341 1280	Spline screw IS-M6x16
26	1125 790 9906	Annular buffer 1125/06
27	1121 790 9912	Annular buffer
28	1125 791 7306	Plug
29	1119 791 7306	Plug
30	4223 080 3100	Fan Cover
31	9443 825 7130	Hollow rivet 7.5x1x6.8
32	9416 868 6630	Hollow rivet 6.5x0.5x6.8
33	9022 371 1020	Pan Head Screw Is M5x20
34	9291 021 0120	Washer 5.3

**Tank Housing Assembly**

**Stihl TS400 Disc Cutter**

**Tank Housing Assembly**





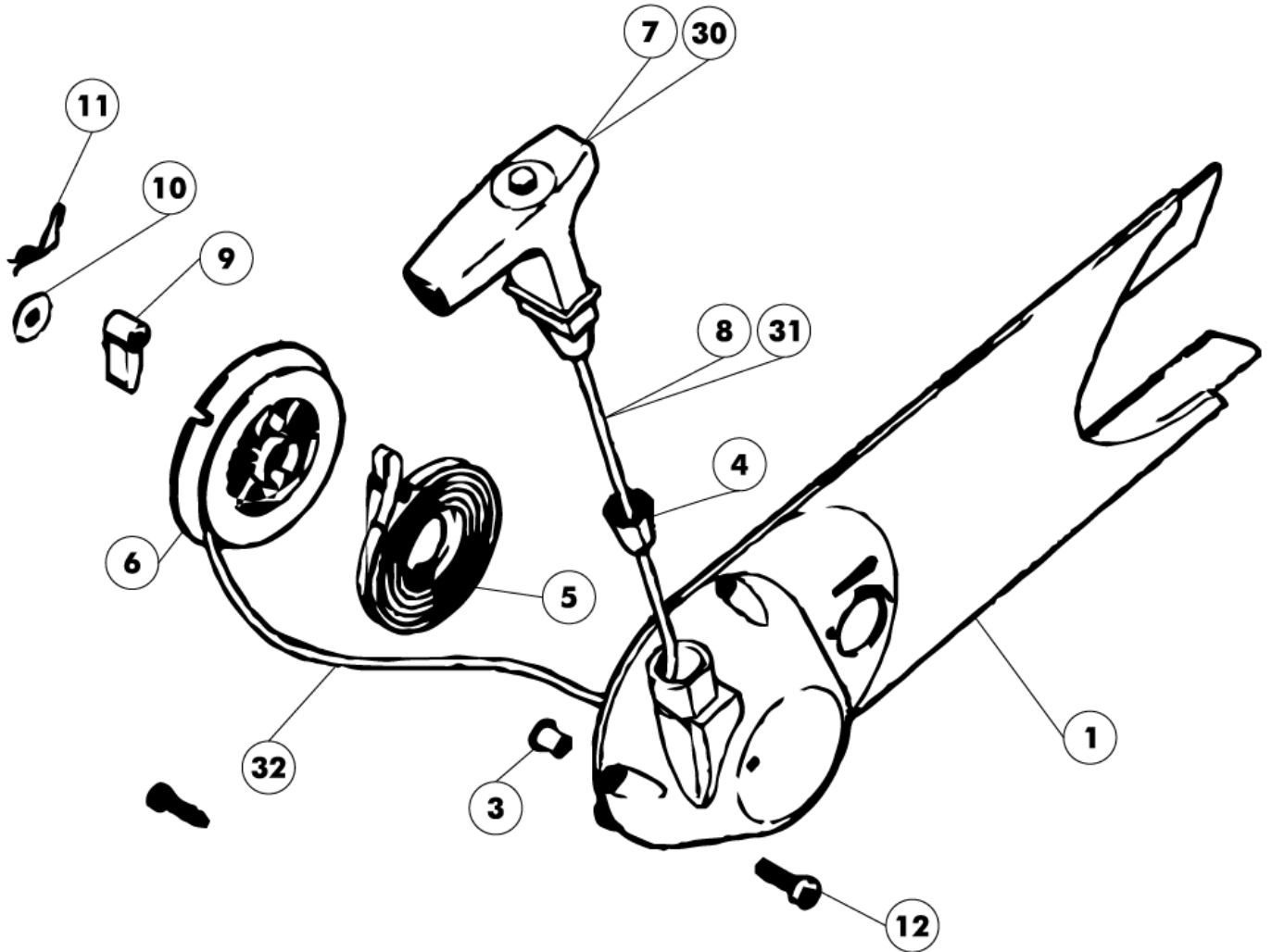
## Tank Housing Assembly

Ref.	Part No.	Details
1	4223 350 0804	Tank Housing (incl. 2 - 10, 19 - 36)
2	4223 350 0805	Tank Housing - Left
3	9386 620 1680	Split Tapper Sleeve
4	4223 359 0701	Gasket
5	9075 478 4155	Pan Head Self-Tapping Screw Is-D5x24
6	9121 319 1120	Stud M5x55
7	9416 868 6531	Hollow rivet 6.5x0.5x6.8
8	4223 792 9300	Rubber Buffer
9	4223 792 2300	Pin
10	4223 141 8600	Impulse hose
11	1122 141 1805	Sleeve
12	4223 141 2200	Manifold
13	9771 021 2620	Hose clip Dia.36x5
14	4223 442 1600	Contact Spring
15	4223 435 6005	Support
16	400 125	Earth Wire (incl. 16,17,18)
19	0000 350 3500	Pickup body
20	4223 358 7701	Fuel Hose
20	350 358	Fuel Hose & Filter Kit (incl. 19,20)
20	1125 358 7700	Fuel Hose (replaces 20-22)
21	4224 122 3900	Elbow Connector
22	0000 930 2803	Hose 3.1x5.7 Mm X 1 M, R3
23	4223 353 9201	Grommet
24	4223 350 5803	Tank vent
26	4223 350 5805	Tank Vent Assembly (incl. 26,27,28)
27	4205 350 5800	Tank Vent for Stihl TS400, TS510, TS760
28	1120 358 8105	Vent insert
29	4223 350 0500	Filler cap
30	9645 951 3890	O-Ring 35x3-Fpm 80
31	0000 350 0900	Rope

**Tank Housing Assembly**

**Stihl TS400 Disc Cutter**

**Recoil Assembly**



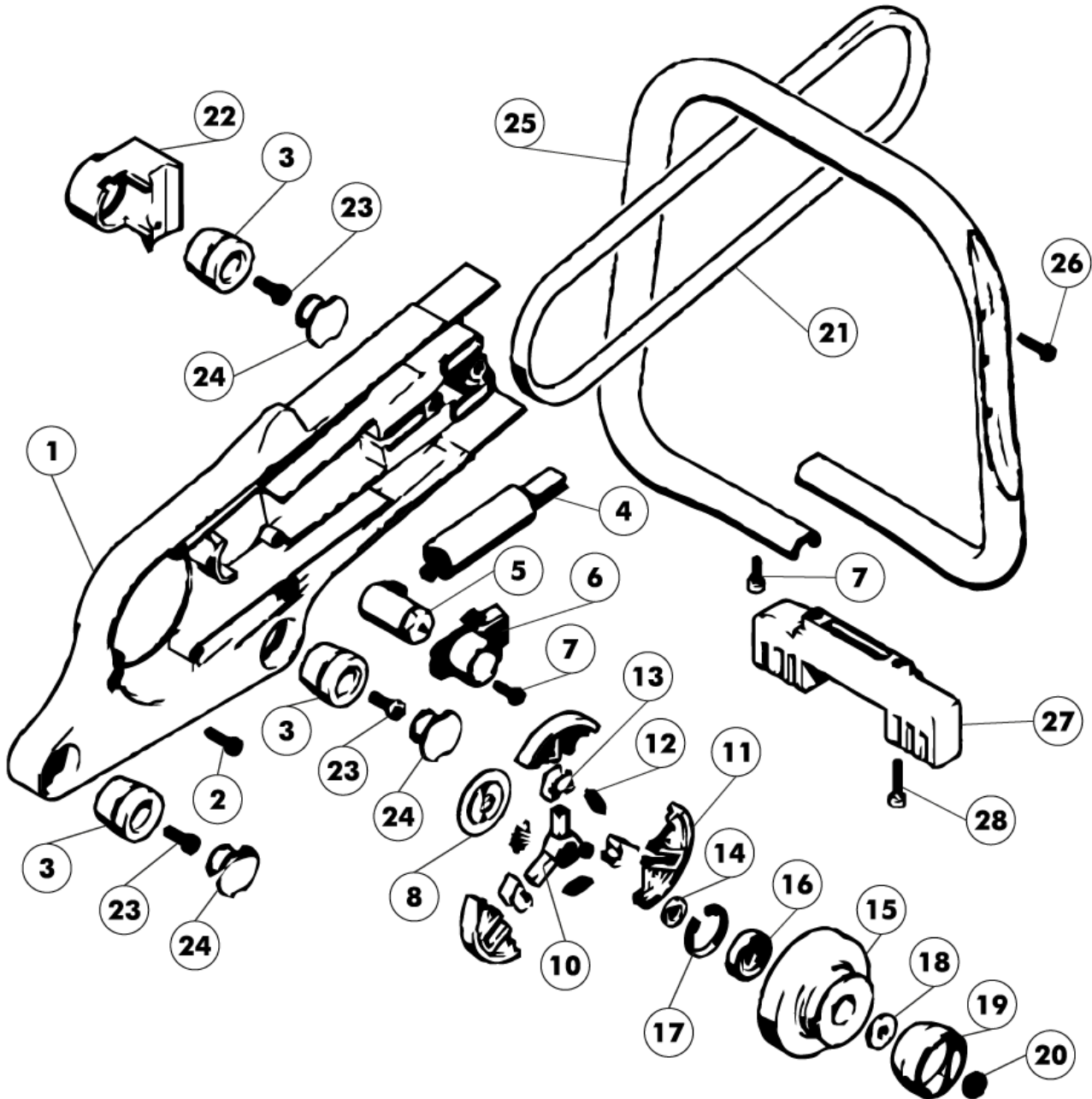
## Tank Housing Assembly

Ref.	Part No.	Details
0	400 551	Recoil Assembly (non genuine)
0	4223 190 0401	Recoil Assembly
1	4223 190 0411	Starter Cover
3	9416 868 6630	Hollow rivet 6.5x0.5x6.8
4	1110 084 9102	Bushing
5	4223 190 0600	Rewind Spring
6	4223 190 1001	Rope Rotor (before 2009)
7	0000 190 3414	Starter grip ElastoStart Ø 4.5 mm
8	0000 930 2295	Starter rope Ø 4.5mm / 28 pieces
8	1128 190 2901	Starter rope Ø 4.5 mm
9	400 120	Pawl Kit (non genuine)
9	4116 195 7200	Pawl
10	0000 958 0923	Washer
11	1118 195 3500	Spring
12	9022 371 1020	Pan Head Screw Is M5x20
30	1128 190 3400	Starter Grip Elastostart Ø 3,5 Mm
31	1128 190 2900	Starter Rope Ø 3.5 Mm
32	4223 084 5600	Screw

**Clutch & Cast Arm Assembly**

**Stihl TS400 Disc Cutter**

**Clutch Assembly**



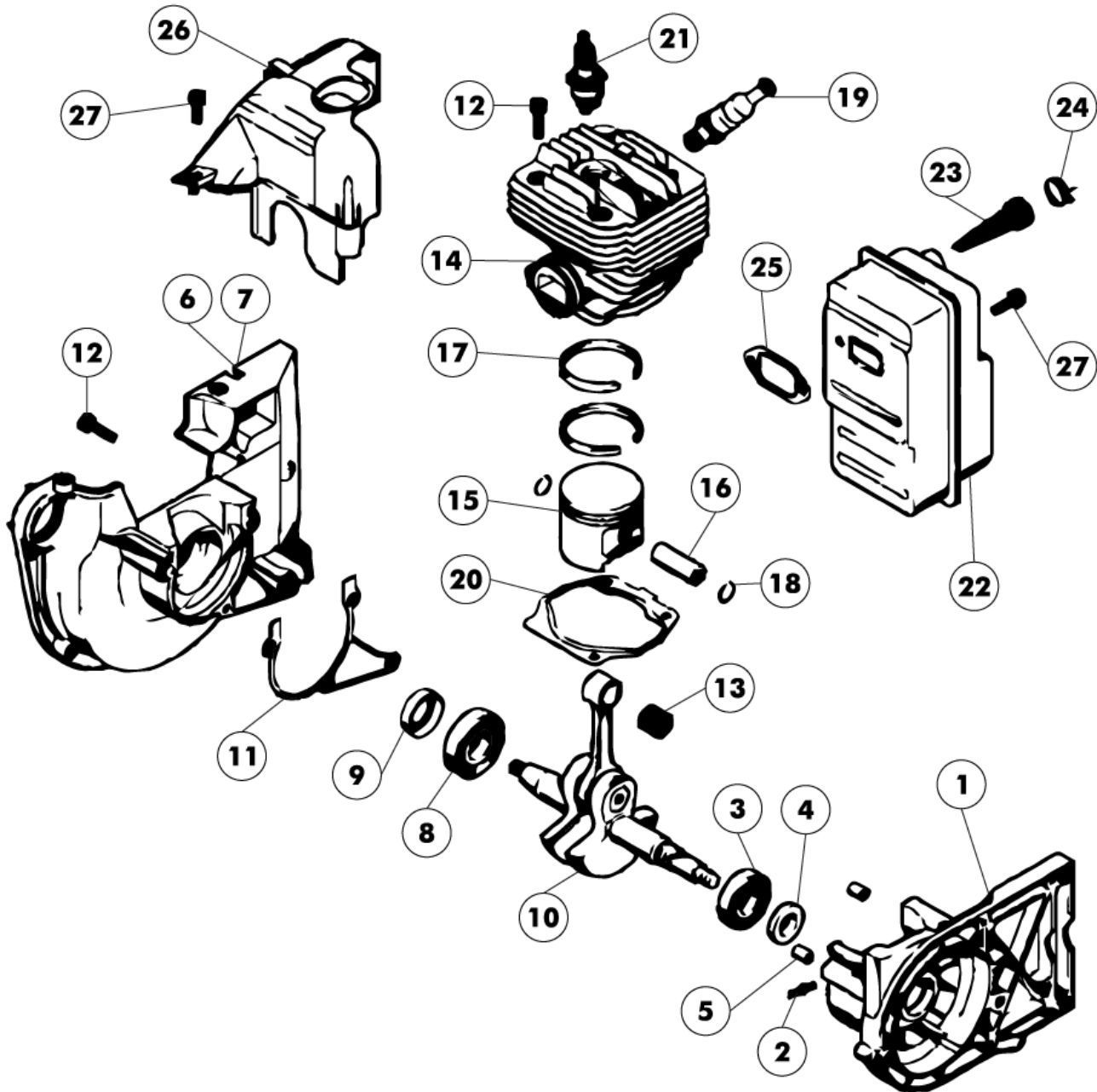
## Clutch & Cast Arm Assembly

Ref.	Part No.	Details
1	4223 701 0200	Cast Arm
2	9022 371 1020	Pan Head Screw Is M5x20
3	1125 790 9906	Annular buffer 1125/06
4	4221 660 0400	Belt tensioner
5	4221 664 2100	Clamping lever
6	4221 664 4200	Cover
7	9022 341 0980	Pan Head Screw Is M5x16
8	4223 162 1000	Cover Washer
11	1128 162 0806	Clutch shoe
12	0000 997 5815	Tension spring
13	1128 162 3000	Retainer
14	0000 961 1003	Ring
15	4223 700 2500	V Belt Pulley (incl. 15,16,17)
16	9503 003 6310	Grooved ball bearing 6200-2RS
17	9456 621 3310	Circlip 30x1.2
18	0000 958 0824	Washer
19	4223 195 0600	Starter Cup
20	9210 261 1140	Hexagon Nut M8x1
21	9490 000 7851	Narrow V Belt
22	4223 791 1900	Tubular Handle Support
23	9022 341 1280	Spline screw IS-M6x16
24	1125 791 7306	Plug
25	4223 790 1750	Handle Bar
27	4223 791 7600	Support

Cylinder Assembly

Stihl TS400 Disc Cutter

Cylinder Assembly



## Cylinder Assembly

Ref.	Part No.	Details
1	4223 020 2900	Crankcase - Clutch Side
2	0000 988 5211	Connector
3	400 341	Grooved ball bearing 6202
3	9503 003 0341	Grooved ball bearing 6202
4	9640 003 1570	Oil seal 15x24x7
5	0000 988 8600	Sleeve
6	4223 020 2601	Crankcase - Fan Side (after s/n 154117859)
7	4223 020 2600	Crankcase - Fan Side (before s/n 154117859)
8	9503 003 0450	Grooved ball bearing 6203
8	400 450	Non-Gen Grooved ball bearing 6203
9	9640 003 1745	Oil seal 17x28x7
10	400 103	Crankshaft (non genuine)
10	4223 030 0400	Crankshaft
11	4223 029 0500	Gasket
13	9512 003 2340	Needle cage 10x14x13
14	4223 020 1200	Genuine Cylinder & Piston
14	400 106	N/G Cylinder & Piston Assembly
15	4223 030 2000	Piston Assembly (incl. 15,16,17,18)
15	400 109	Piston Assembly (non genuine)
16	1110 034 1500	Piston pin 10x6x32
17	400 107	Piston Ring (non genuine)
17	1127 034 3006	Piston Ring
18	9463 650 1000	Snap ring 10
19	400 105	Non-Gen Decompression valve
19	4223 020 9400	Decompression valve
20	4223 029 2301	Cylinder Gasket
21	BPMR7A	Spark plug NGK BPMR7A
22	4223 140 0601	Muffler
23	4223 141 9000	Grid
24	4223 141 6600	Buckle
25	1125 149 0601	Muffler gasket
27	9022 371 1020	Pan Head Screw Is M5x20
28	400 130	Gasket Set (non genuine)
28	4223 007 1050	Gasket Set