



Stihl TS410/20 Disc Cutter

Coppice Side Industrial Estate
West Coppice Road
Brownhills, Walsall WS8 7HB

Tel. 01543 378189

Fax. 01543 370006

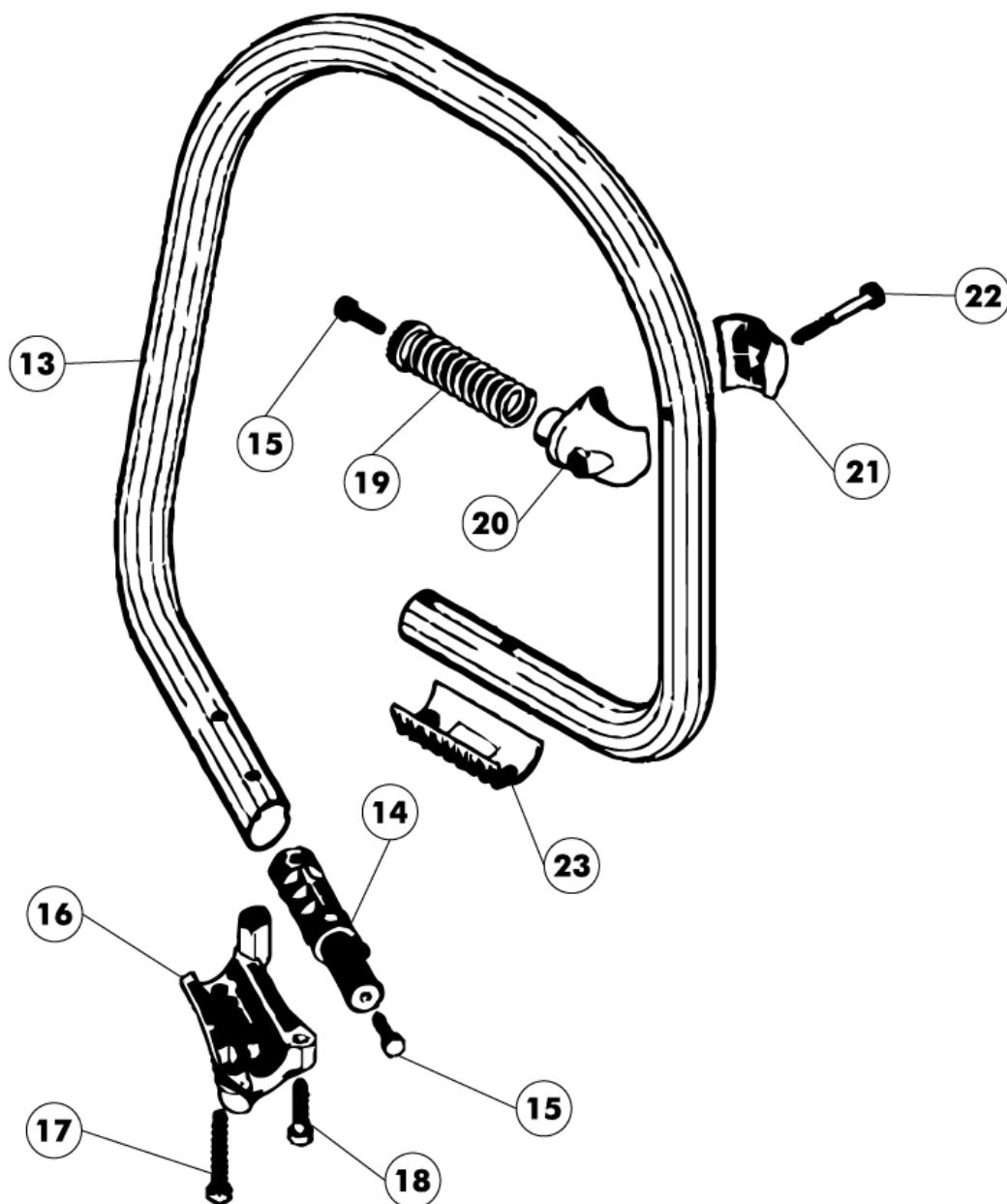
sales@lseengineers.co.uk

www.lseengineers.co.uk

Front Handle Assembly

Stihl TS410 Disc Cutter

Front Handle Assembly

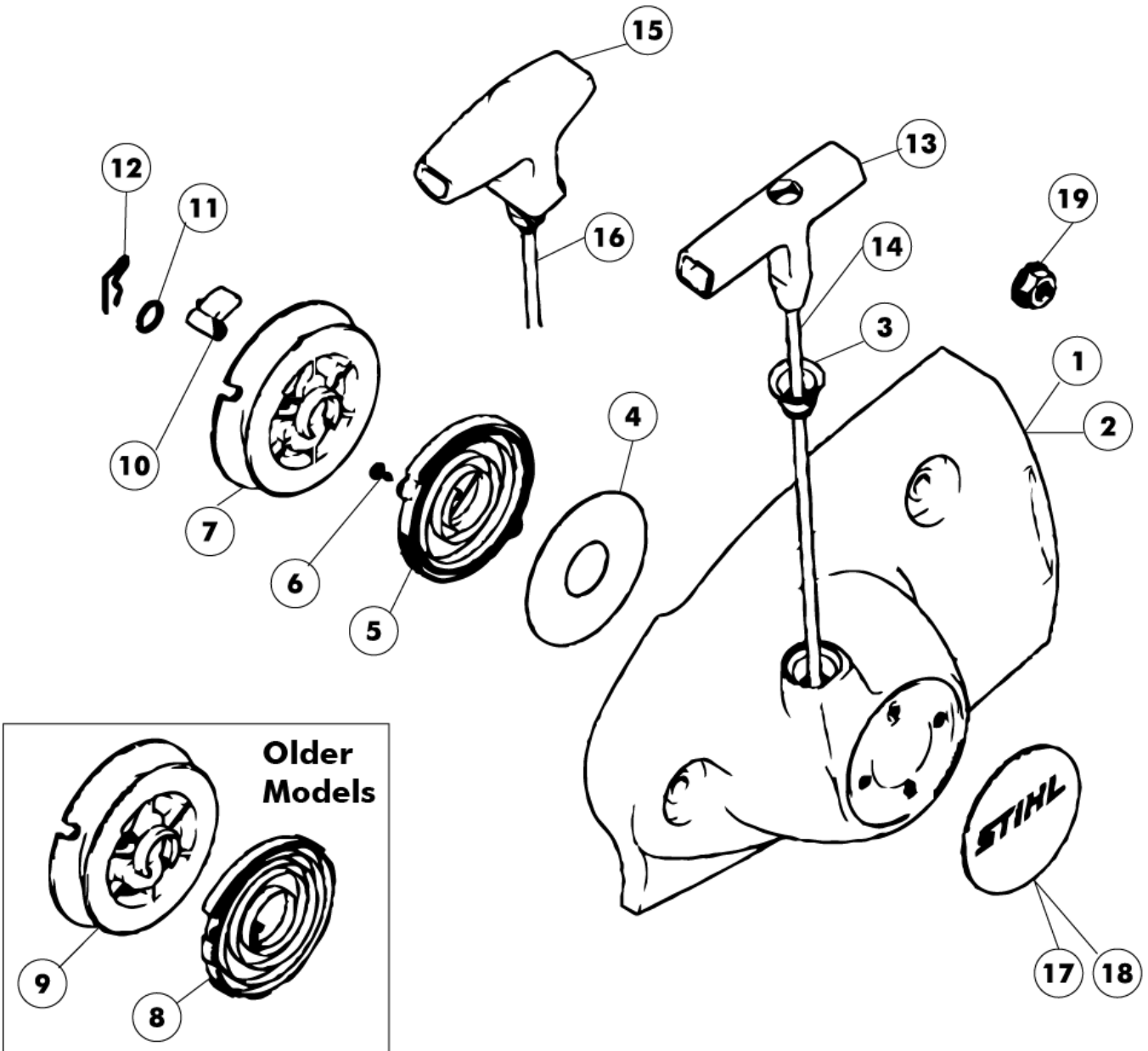


Ref.	Part No.	Details
13	4238 791 1700	Handlebar
14	4238 790 8301	AV-Spring
15	9074 478 4425	Pan Head Screw Is P6x19
16	4238 791 0910	Clamp
17	9074 478 4705	Pan head self-tapping screw IS-P6x40
18	9074 478 4545	Pan head self-tapping screw IS-P6x26.5
19	4238 790 8302	AV-Spring
20	4238 791 1900	Handlebar support
21	4238 791 0900	Clamp
22	9075 478 4190	Pan head self-tapping screw IS-D5x45
23	4238 791 0905	Clamp

Recoil Starter Assembly

Stihl TS410 Disc Cutter

Recoil Starter Assembly



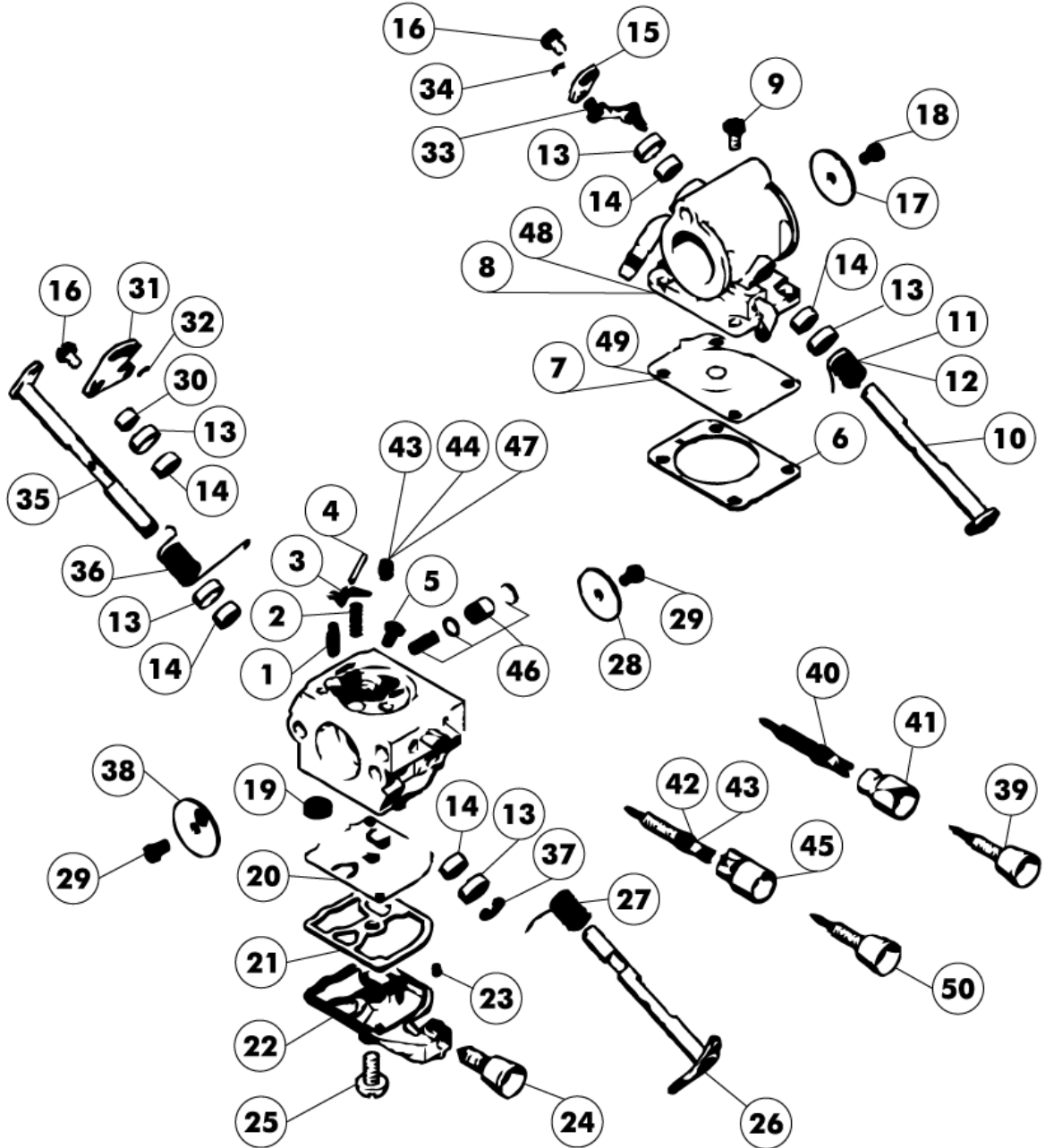
Recoil Starter Assembly

Ref.	Part No.	Details
0	410 217	Recoil Starter Assy (non genuine)
0	4238 190 0302	Recoil Starter Assy
1	4238 190 0404	Starter cover (incl. 3)
2	4238 190 0401	Starter Cover (before 2009)
3	1110 084 9102	Bushing
4	410 612	Non-Gen Washer
4	4238 195 9000	Washer
5	4224 190 0600	Rewind spring
5	410 611	Non-Gen Rewind spring
6	9104 003 0410	Self-tapping screw P3x6
7	4238 190 1001	Rope rotor
8	410 610	Rewind spring
8	4282 190 0600	Rewind spring
9	4223 190 1001	Rope Rotor (before 2009)
10	400 120	Pawl Kit (non genuine)
10	0000 195 7200	Pawl
11	0000 958 0923	Washer
12	1118 195 3500	Spring
13	0000 190 3500	Grip with starter rope - 4 mm (incl. 12)
13	1121 195 3400	Starter grip
13	3400	Plastic Starter Handle
14	90202	Oregon Starter Rope 4mm x 100m
14	0000 930 2297	Starter rope - 4 mm x 30 m
15	0000 190 3414	Starter grip ElastoStart Ø 4.5 mm
16	1128 190 2901	Starter rope Ø 4.5 mm
16	0000 930 2295	Starter rope Ø 4.5mm / 28 pieces
17	4238 967 1500	Model Plate TS410
18	4238 967 1501	Model Plate TS420
19	9220 260 1100	Hexagon nut M8
19	410 638	Hexagon nut M8

Zama Carburettor Assembly

Stihl TS410 Disc Cutter

Zama Carburettor Assembly



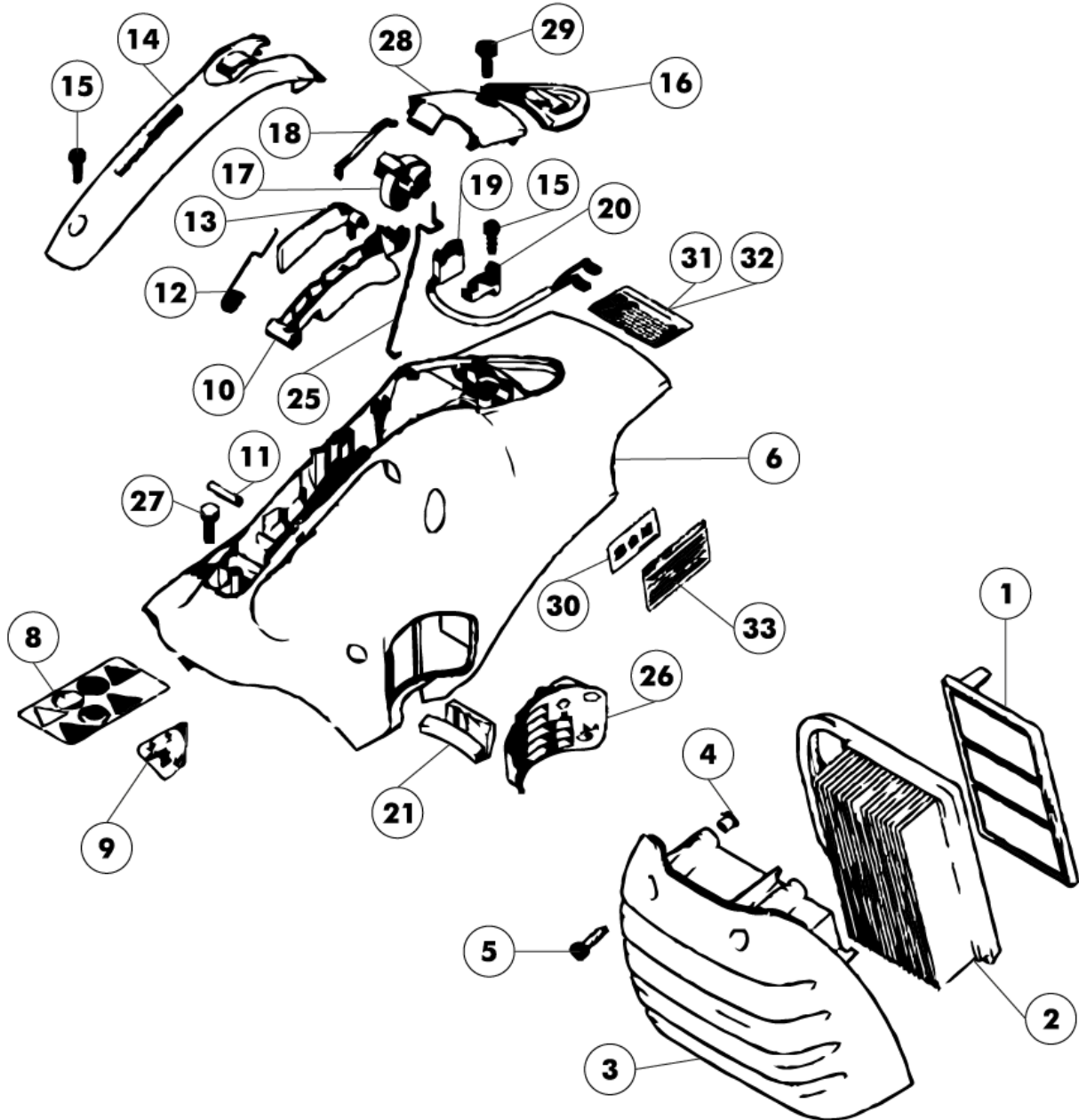
Zama Carburettor Assembly

Ref.	Part No.	Details
0	4238 007 1060	Set of carburetor parts (incl. 7)
0	4238 120 0603	Carburetor C1Q-S118H
0	410 280	Carburettor (non genuine)
1	4116 121 5100	Inlet Needle
2	1129 122 3001	Spring
3	1125 121 5000	Inlet Control Lever
4	1120 121 9200	Spindle
5	1120 122 6600	Collar Screw
6	4238 129 0901	Gasket
7	4238 121 4700	Metering diaphragm
8	4238 120 0850	End cover (incl. 10)
9	1120 122 6601	Collar screw
10	4238 120 7300	Air valve shaft with lever
11	4238 122 3202	Torsion spring
12	4238 122 3201	Torsion Spring (before 2009)
13	4238 121 9400	Ring
14	4238 122 3600	Sealing ring
15	4238 121 6601	Lever
16	1139 122 7101	Screw
17	4180 121 3301	Throttle shutter
18	1125 122 7402	Round head screw
19	1123 121 7800	Strainer
20	1129 121 4800	Pump Diaphragm
21	1123 129 0905	Gasket
22	4134 121 0802	End Cover
23	1125 122 4200	Clamp
24	4229 122 6200	Idle Speed Screw
25	1120 122 7800	Oval Head Screw
26	4238 120 7100	Throttle shaft with lever
28	4238 121 3300	Throttle shutter
29	1125 122 7403	Round Head Screw
30	4238 122 5000	Spacer sleeve
31	4238 121 6600	Lever
32	4238 122 9000	E-clip
33	4238 124 2100	Rod
34	1125 122 9003	E-clip
35	4238 120 7200	Choke shaft with lever
36	4238 122 3200	Torsion spring
37	1120 122 9000	E-Clip
38	4128 121 2900	Choke Shutter
39	4238 122 6800	Low Speed Adjustment Screw
41	4144 121 2700	Cap
42	4238 122 6701	High Speed Adjustment Screw
43	4238 120 9800	High Speed Adjusting Screw Kit
44	4238 121 5601	Fixed jet 0.70
45	4229 121 2701	Cap
46	4238 120 9700	Pump piston kit

Shroud and Air Filter Assembly

Stihl TS410 Disc Cutter

Shroud Assembly



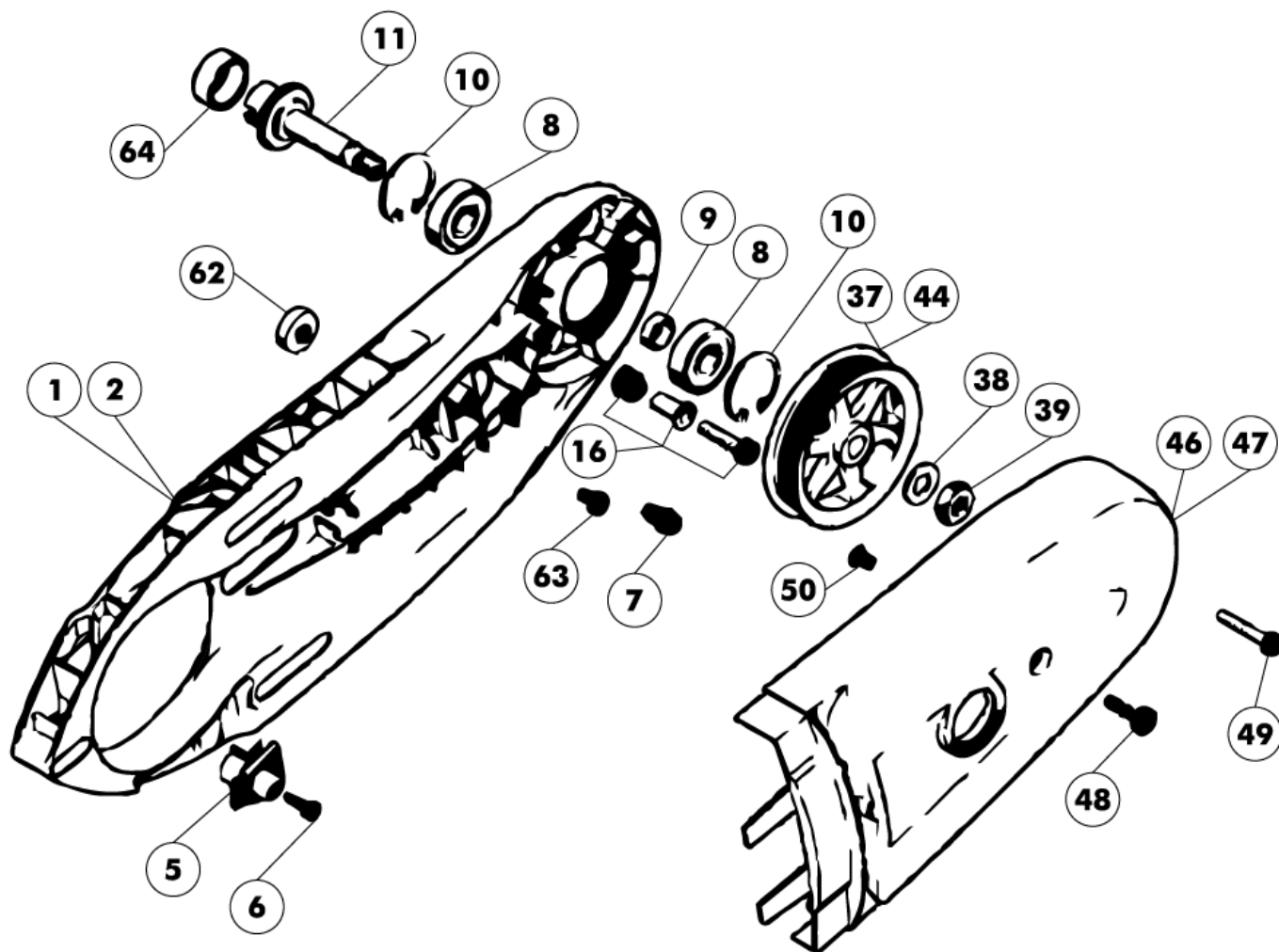
Shroud and Air Filter Assembly

Ref.	Part No.	Details
1	410 100	Non Genuine Filter Set (incl. 1, 2)
2	4238 140 4403	Air filter
3	4238 140 1000	Filter cover (incl. 3)
4	0000 963 0809	Bushing
5	0000 951 1109	Screw IS-M5x20
6	4238 080 1608	Shroud
6	410 618	N/G Shroud Assembly (includes 6, 8-21)
6	4238 080 1609	Shroud Assembly (includes 6, 8-21)
8	0000 967 3799	Warning pictogram TS
9	0000 967 4000	Warning pictogram Filler cap
10	4238 182 1000	Throttle trigger
10	410 619	N/G Throttle Trigger
11	410 620	Non-Gen Cylindrical pin 5x24
11	9371 470 2640	Cylindrical pin 5x24
12	4238 182 4500	Torsion spring
12	410 621	N/G Torsion Spring
13	410 622	N/G Trigger Interlock
13	4238 182 0800	Lockout lever
14	4238 791 0600	Handle molding
14	410 623	N/G Handle Moulding
15	9074 477 4130	Pan Head Self-Tapping Screw Is-P5x16 ((4 Nm))
16	4238 084 7400	Grommet
16	410 625	N/G Grommet
17	410 626	N/G Switch Shaft
17	4238 182 0900	Switch shaft
18	4238 182 4700	Flat spring
18	410 627	N/G Flat Spring
19	410 616	N/G Switch & Lead
19	4238 430 0501	Switch
20	4238 435 6001	Bracket
20	410 628	N/G Clamp
21	4238 087 8300	Rubber Buffer
21	410 629	N/G Rubber Buffer
25	410 630	N/G Throttle Rod
25	4238 182 1500	Throttle Rod for Stihl TS410, TS420, TS 440
26	4238 123 7500	Grommet
27	9074 478 4425	Pan Head Screw Is P6x19
28	410 631	N/G Cap
28	4238 080 2200	Cap (incl. 24)
29	9022 319 0981	Screw Is-M5x17

Cast Arm & Blade Pulley Assembly

Stihl TS410 Disc Cutter

Cast Arm Assembly

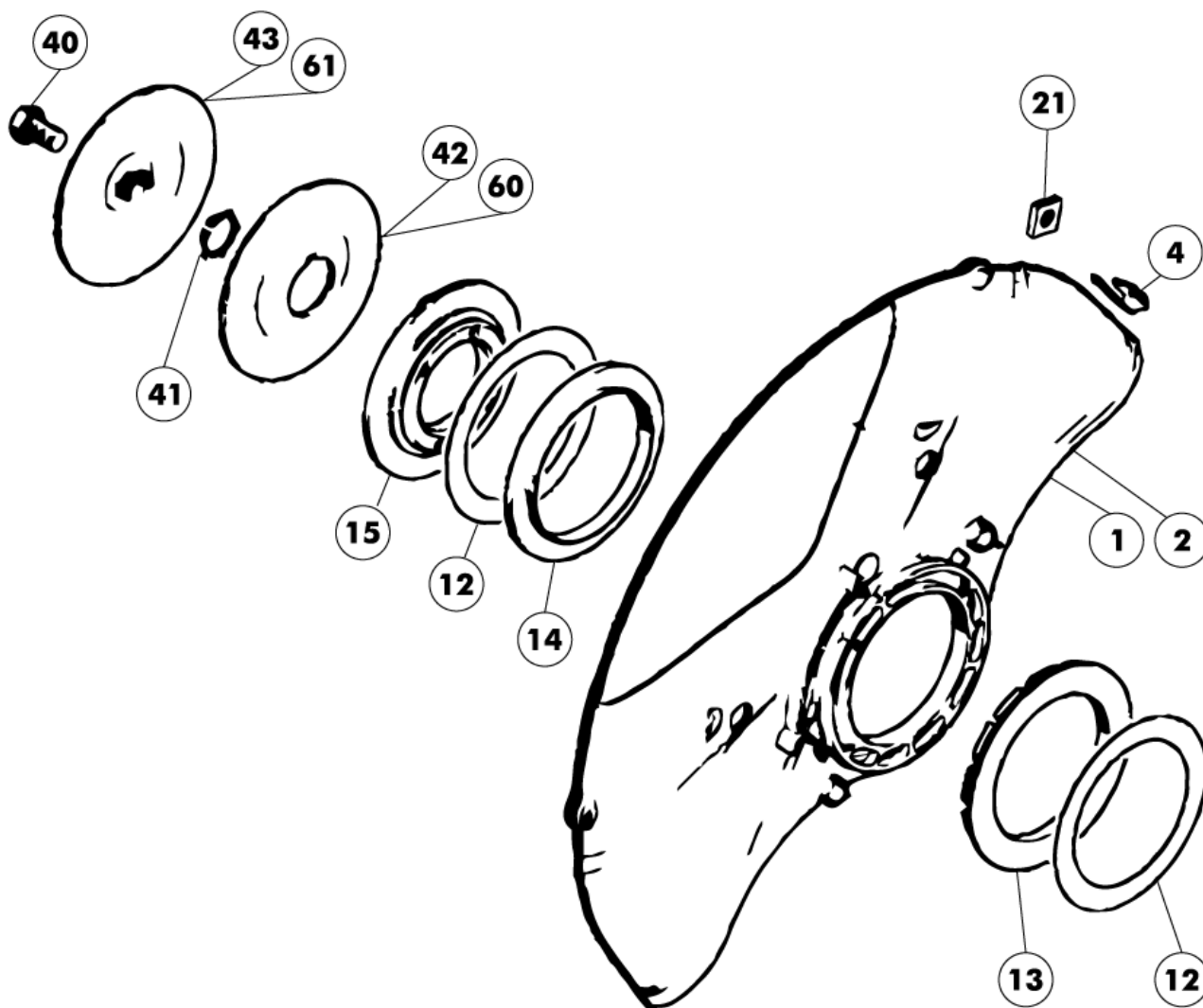


Ref.	Part No.	Details
1	4238 701 0203	Cast arm TS410
2	4238 701 0202	Cast Arm TS420
5	4238 691 0200	Limit stop
6	9074 478 3025	Pan Head Self-Tapping Screw Is-P4x16
7	4224 691 0100	Stop pin
8	9503 003 6440	Grooved Ball Bearing 6201-2rs
9	0000 961 1206	Ring
10	9456 621 3600	Circlip 32x1.2
11	4224 704 0502	Shaft
16	4238 710 9500	Adjusting screw
37	4238 764 8505	Poly V-belt pulley
38	9291 021 0200	Washer 10.5
44	4238 764 8504	Poly V-belt pulley
47	4238 700 8107	Nose Guard Fits Stihl TS410 Disc Cutter
49	9022 341 1070	Spline Screw Is-M5x30
50	9443 825 7130	Hollow rivet 7.5x1x6.8
63	9022 341 0910	Spline screw IS-M5x6
64	0000 708 4200	Shaft Sleeve for Stihl TS350 TS360 TS400 TS410

Blade Guard Assembly

Stihl TS410 Disc Cutter

Blade Guard Assembly

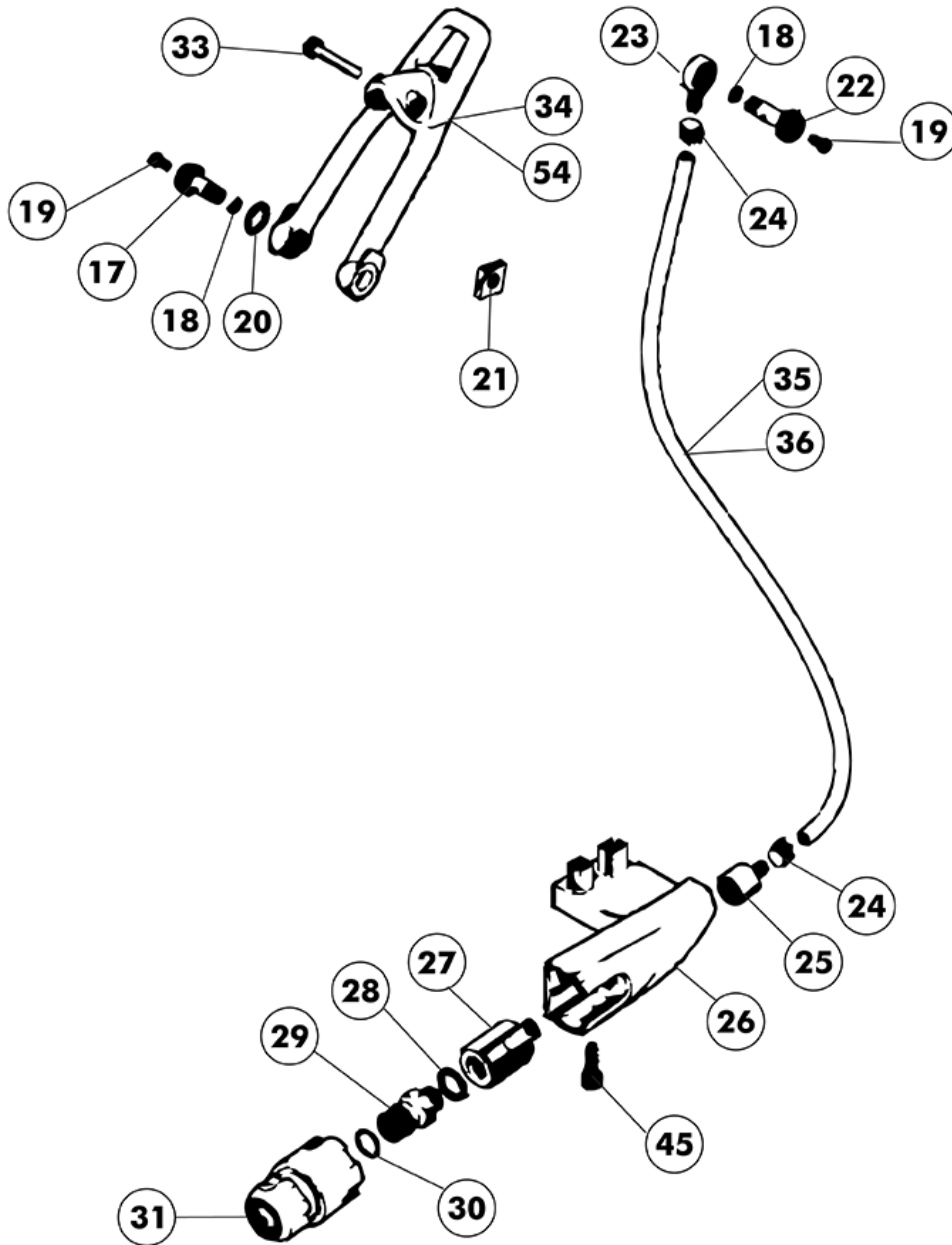


Ref.	Part No.	Details
1	4238 700 8102	Blade Guard 12" (TS410)
2	4224 700 8102	Blade Guard 14" (TS420)
4	4238 706 0400	Stiffener
12	4201 706 9202	Washer
13	4224 706 8802	Rubber ring
14	4224 706 8801	Rubber ring
15	4205 706 2903	Flange
21	4224 708 8300	Square nut
40	4201 708 8402	Hexagon head screw M10x18
41	9450 721 2150	E-clip 20x1.2
42	4201 708 3004	Thrust washer Diameter 103 mm
43	4201 708 3014	Thrust washer Diameter 103 mm

Water Kit Assembly

Stihl TS410 Disc Cutter

Water Kit



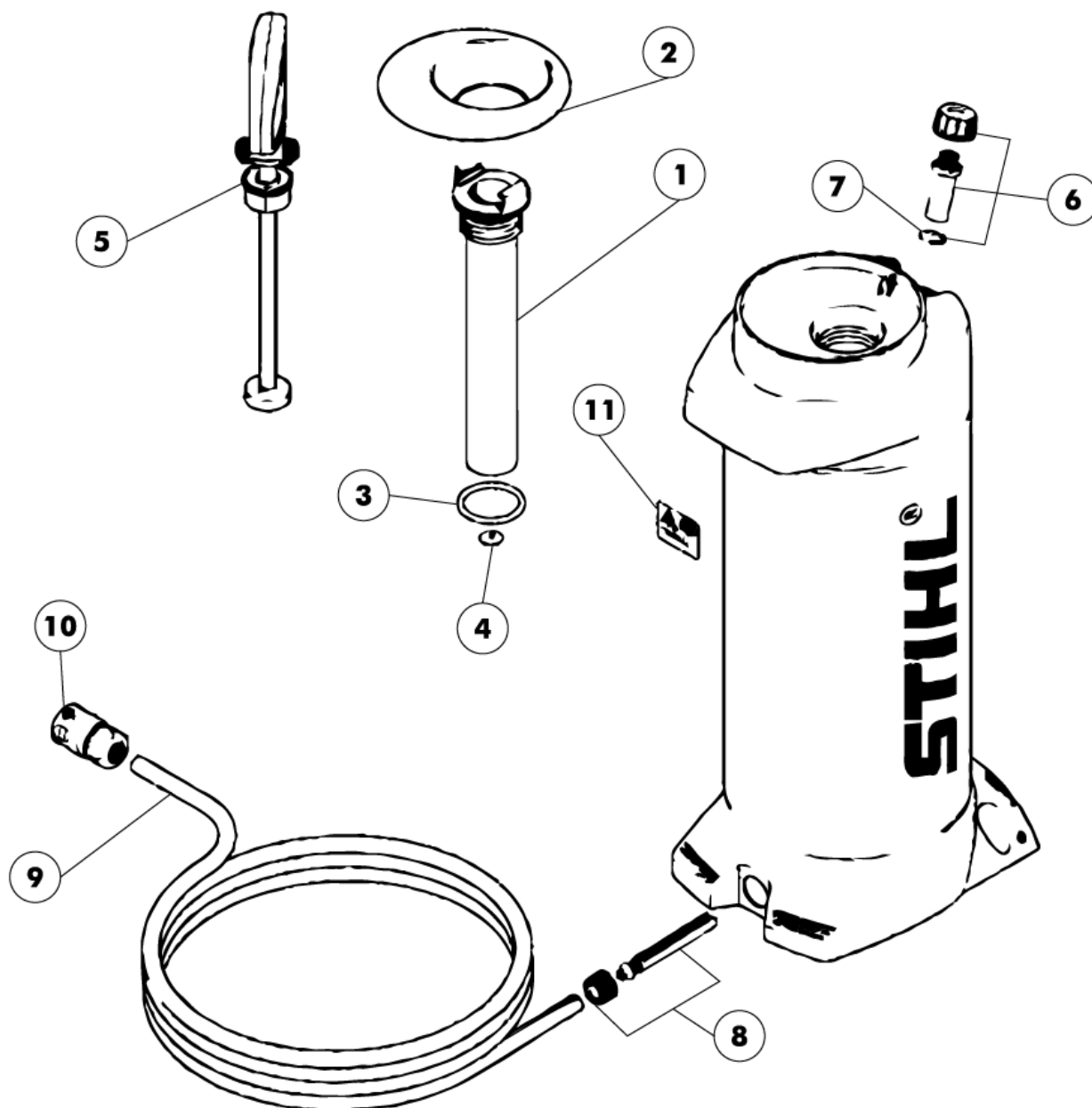
Water Kit Assembly

Ref.	Part No.	Details
0	410 002	TS410 Water Kit (non genuine)
17	0000 670 0207	Banjo bolt (incl.19)
19	9041 216 0630	Pan head screw M4x8
20	0000 679 2000	Gasket
21	4224 708 8300	Square nut
22	0000 670 0206	Banjo bolt (incl.19)
23	4238 677 8202	Connector
24	9771 021 0921	Hose clip 10/7
25	4238 677 8200	Connector
26	4238 708 8200	Bracket
27	4201 700 4500	Shut-off cock 1/4"
28	0000 954 1701	Sealing ring
29	4201 700 7300	Hose connector (incl.35)
30	9645 945 7506	O-ring 10x3
33	9022 341 1070	Spline Screw Is-M5x30
34	4238 700 2900	Adjusting lever
35	0000 937 4049	Hose 5.6x1.9 mm x 1 m
54	4224 700 2901	Adjusting lever

Stihl Water Bottle Assembly (New Type)

Stihl TS410 Disc Cutter

Water Bottle Assembly (New)

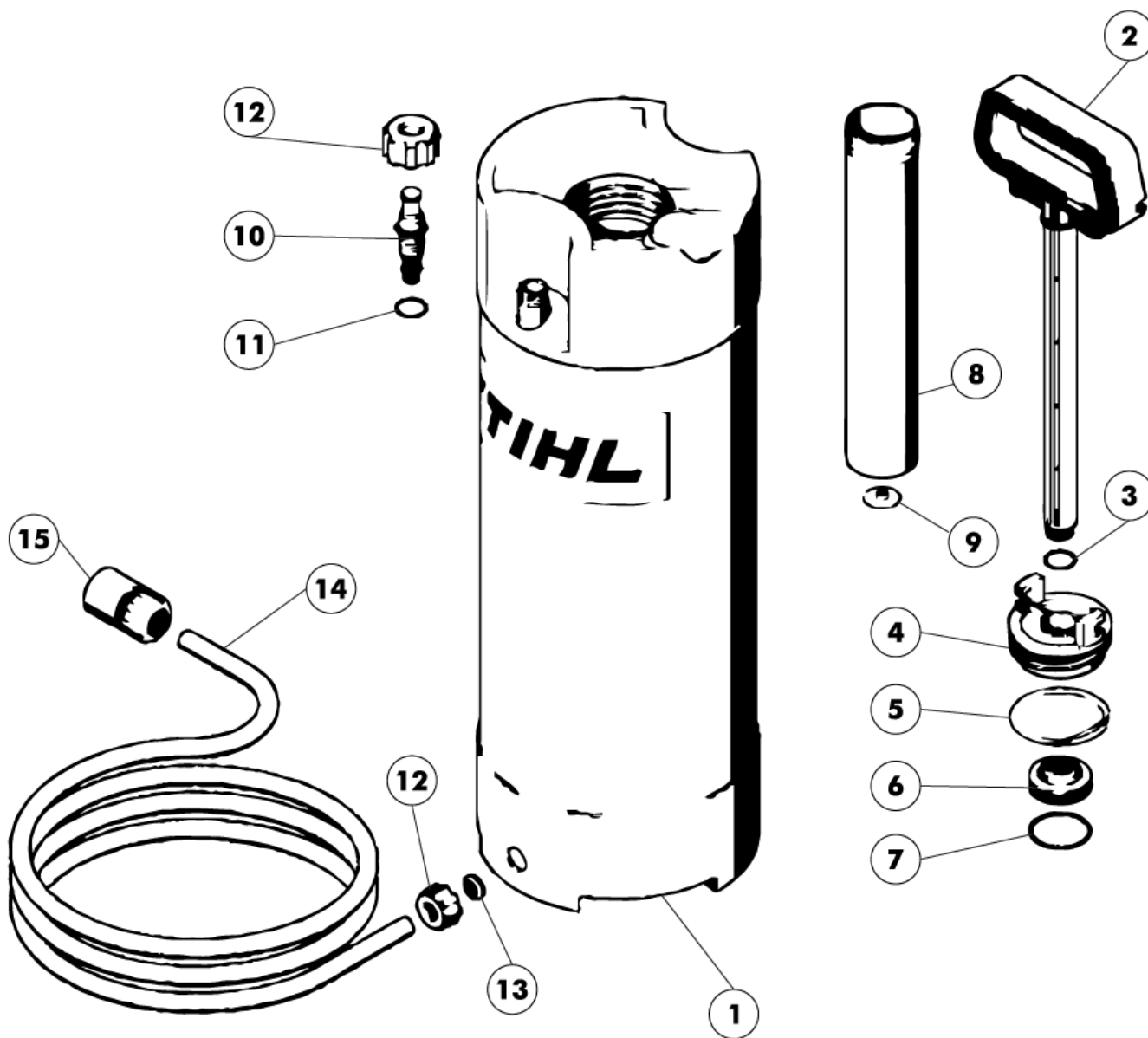


Ref.	Part No.	Details
0	0000 670 6000	Water tank
1	0000 670 6600	Pump barrel
2	0000 676 0500	Funnel
5	0000 670 7702	Handle
6	0000 670 5000	Valve
8	0000 670 0400	Strainer
9	4309 678 1100	Hose 4 m / 158"
12	0000 007 1600	Set of gaskets

Stihl Water Bottle Assembly (Old Type)

Stihl TS410 Disc Cutter

Water Bottle Assembly (Old)

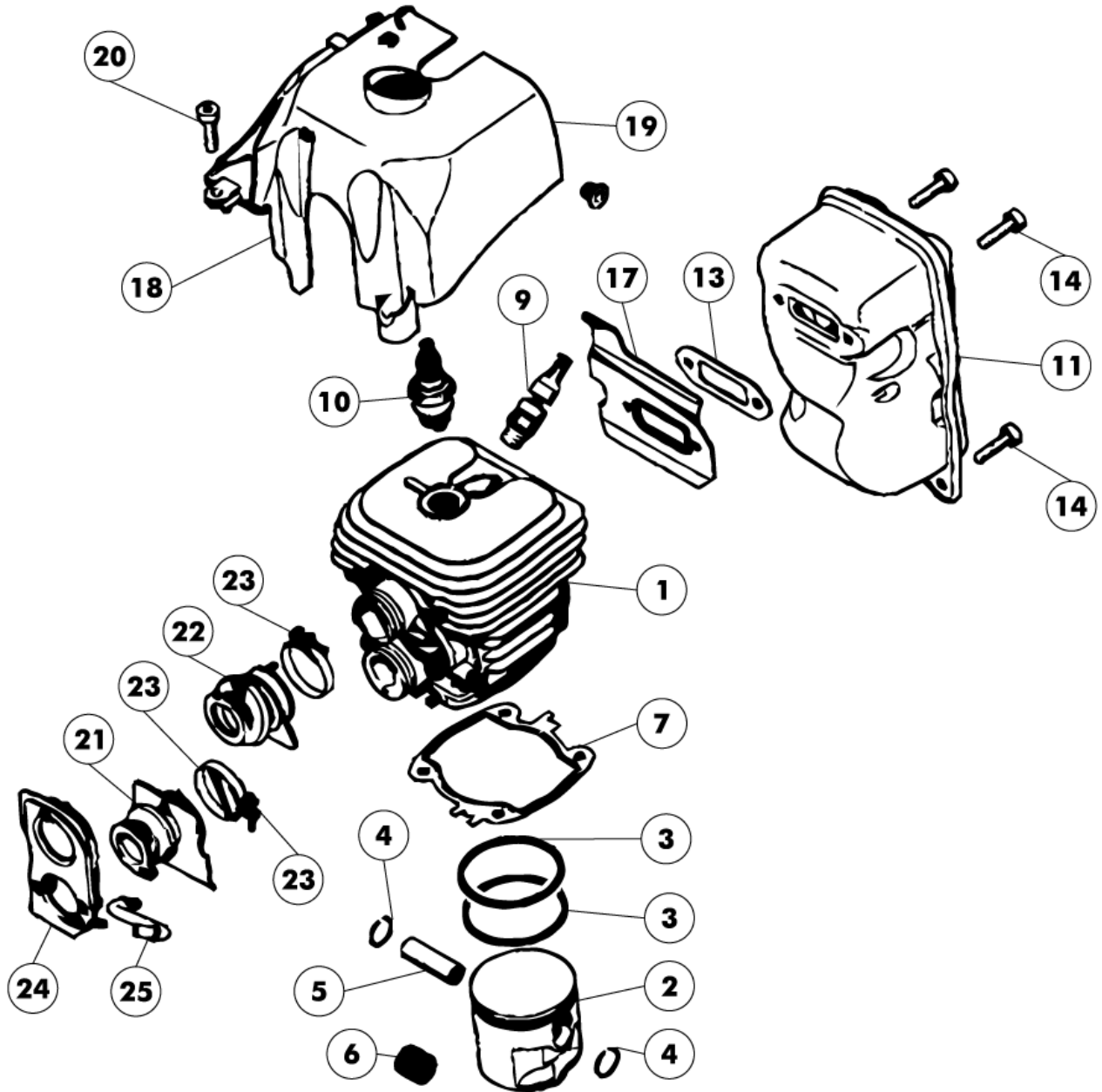


Ref.	Part No.	Details
2	4223 670 7700	Handle
3	9645 945 7560	O-Ring 14x1.78
4	4223 670 8600	Filler cap
5	9645 945 8240	O-ring 56.5x 5.33
6	4223 670 8200	Piston
7	9645 945 7958	O-ring 37.5x3.15
8	4223 670 6600	Pump barrel
9	4223 678 2600	Valve
10	4223 670 5000	Valve
11	9645 945 7494	O-Ring 8.76x1.78
12	4223 677 8300	Union nut
13	4223 678 1600	Insert
14	4309 678 1100	Hose 4 m / 158"

Cylinder & Piston Assembly

Stihl TS410 Disc Cutter

Cylinder Assembly



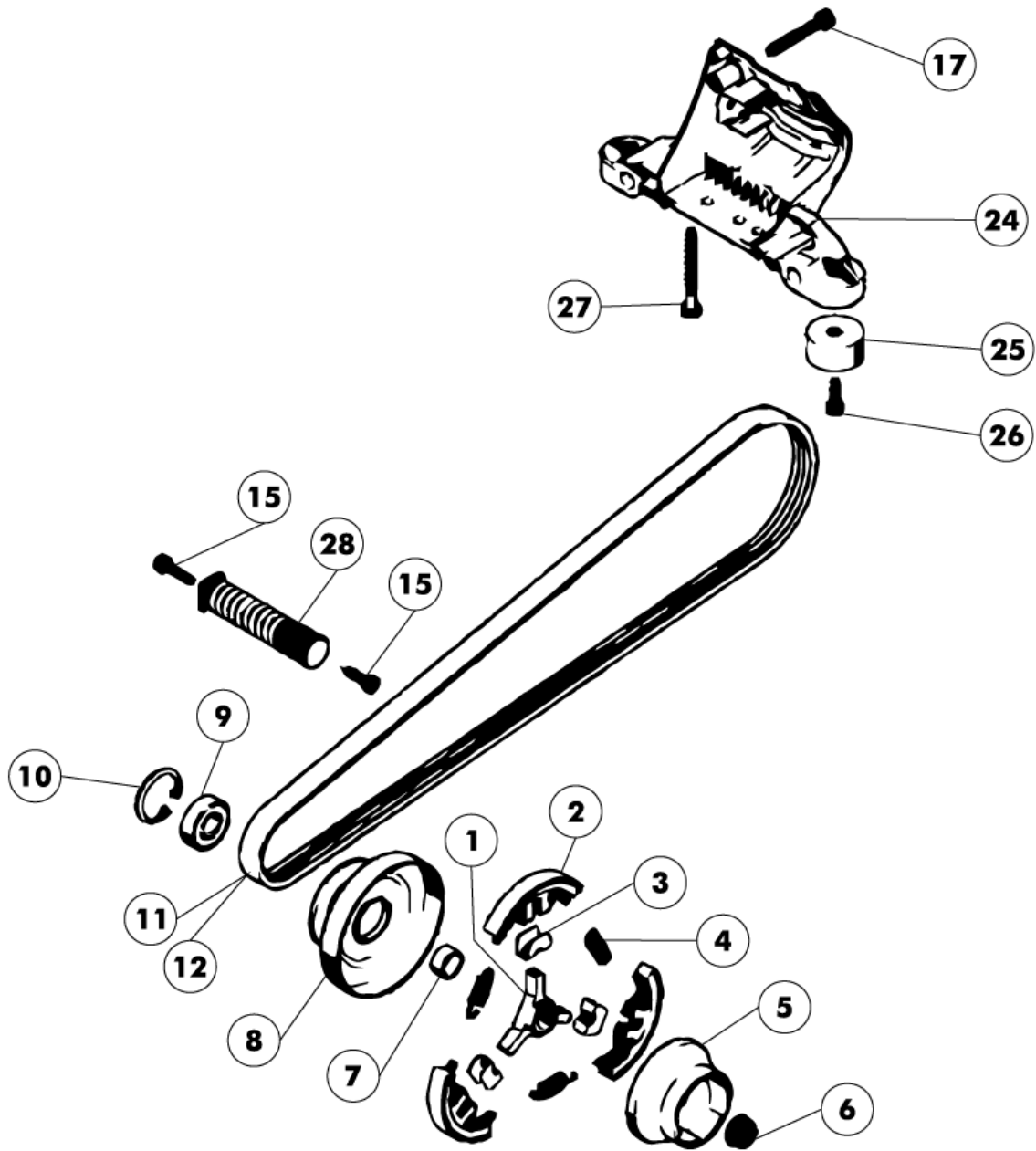
Cylinder & Piston Assembly

Ref.	Part No.	Details
0	410 290	Short Motor for TS410 Disc Cutter - Genuine Part
1	410 200	Cylinder & Piston Assy (non genuine)
1	4238 020 1207	Cylinder with piston - 50 mm (incl. 2 - 5)
2	4238 030 2003	Piston - 50 mm (incl. 3 - 5)
2	410 240	Piston Assembly (non genuine)
3	410 270	Non-Gen Piston ring Ø 50x1.2 mm
3	1128 034 3000	Piston ring Ø 50x1.2 mm
4	9463 650 1000	Snap ring 10
5	4238 034 1500	Piston pin 10x6x32
6	9512 003 2344	Needle cage 10x14x13
7	4238 029 2300	Cylinder gasket
8	9022 371 1073	Spline screw IS-M5x32
9	4238 020 9400	Decompression valve
10	1110 400 7005	Spark Plug Bosch Wsr 6 F
10	BPMR7A	Spark plug NGK BPMR7A
11	4238 140 0610	Muffler
13	4238 149 0600	Muffler gasket
14	9022 371 1020	Pan Head Screw Is M5x20
17	4238 141 3200	Cooling Plate
18	4238 080 0900	Air guide shroud (incl. 21)
19	9991 003 5087	Sleeve 7.5x6.8
21	4238 141 2203	Manifold
22	4238 141 2202	Manifold
23	9771 021 2536	Hose clip 30x5
24	4238 140 2200	Flange
25	0000 141 8600	Impulse hose
26	4238 007 1003	Set Of Gaskets

Clutch Assembly

Stihl TS410 Disc Cutter

Clutch Assembly



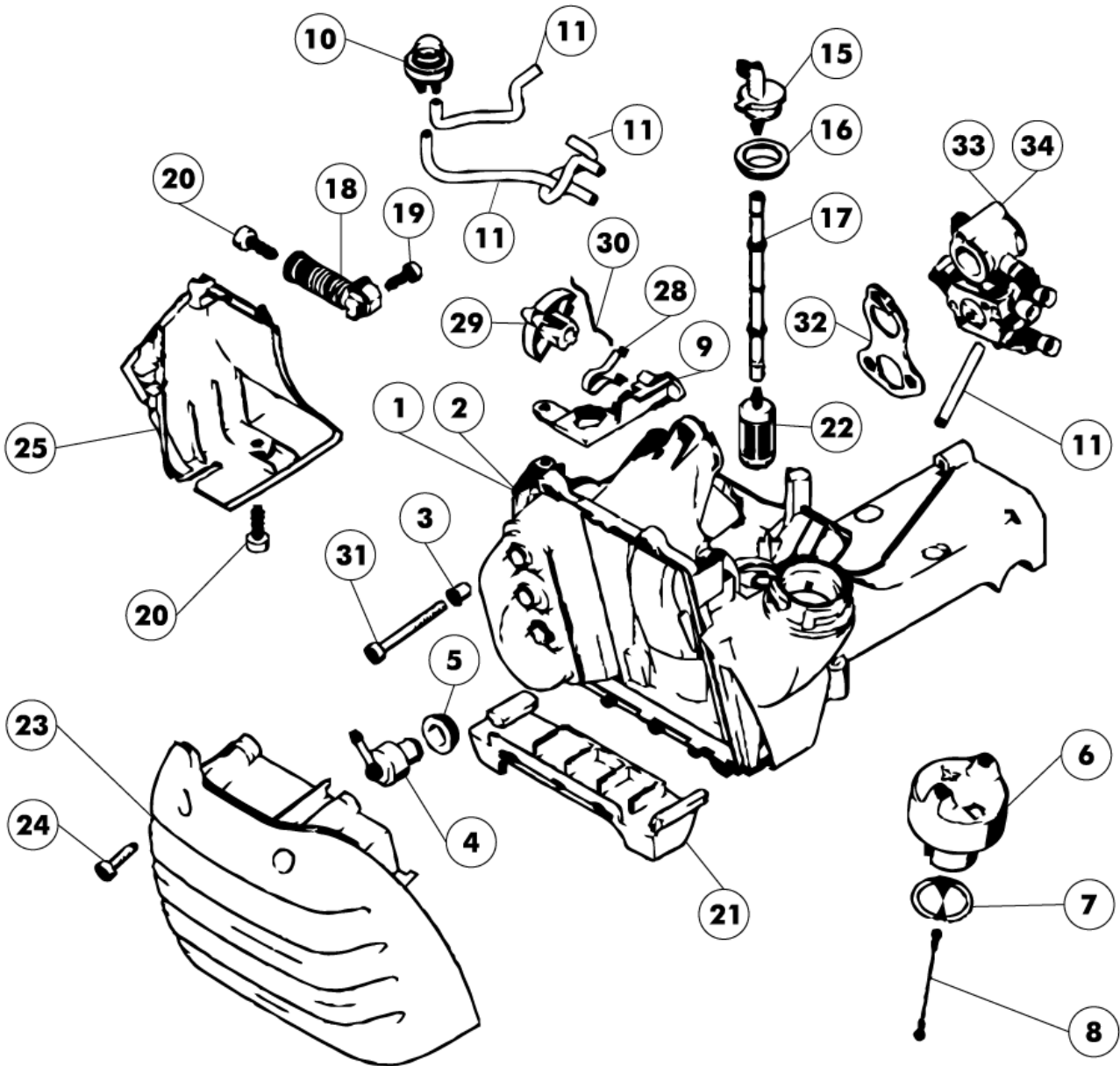
Clutch Assembly

Ref.	Part No.	Details
0	4238 160 2002	Clutch (incl. 2 - 5)
1	1125 162 3202	Carrier
2	1128 162 0806	Clutch shoe
3	1128 162 3000	Retainer
4	0000 997 5510	Tension spring
5	4238 195 0600	Starter cup
6	0000 955 0802	Collar Nut M8x1
7	0000 036 0200	Ring
8	4238 760 8500	Poly V-belt pulley (incl. 10)
9	9503 003 5136	Grooved ball bearing 6001-2RS
10	9456 621 3100	Circlip 28x1.2
11	410 260	TS410 Drive Belt (non genuine)
11	9490 000 7901	Genuine Drive Belt for Stihl TS410 Disc Cutters
12	9490 000 7900	multi-rib belt 5PJ801LB
15	9074 478 4425	Pan Head Screw Is P6x19
17	9074 478 4705	Pan head self-tapping screw IS-P6x40
24	4238 791 7601	Support
25	410 617	Non-Gen Rubber buffer
25	410 637	N/G Rubber Buffer 10 pack
25	4205 790 9300	Rubber buffer
26	0000 951 1100	Screw Is-D5x20
27	9074 478 4706	Pan head self-tapping screw IS-P6x50
28	4238 790 8304	AV-Spring

Fuel Tank Assembly

Stihl TS410 Disc Cutter

Tank Assembly



Fuel Tank Assembly

Ref.	Part No.	Details
2	4238 350 0854	Tank Housing Assembly (includes items 2 - 25)
3	9443 825 7131	Hollow rivet 7.5x1x9.1
5	4223 353 9201	Grommet
6	0000 350 0514	Filler Cap
7	9645 948 2471	O-ring 23x3
8	0000 350 0905	Rope
9	4238 352 8201	Clamp
10	410 608	Fuel pump
10	4238 350 6201	Fuel pump
11	0000 930 2803	Hose 3.1x5.7 Mm X 1 M, R3
15	4238 353 2701	Connector
16	4238 353 9200	Grommet
17	4238 358 7700	Hose
18	4238 790 8300	AV-Spring
19	9074 477 4130	Pan Head Self-Tapping Screw Is-P5x16 ((4 Nm))
20	9074 478 4425	Pan Head Screw Is P6x19
21	4238 354 0100	Support Foot for Stihl TS410, TS420, TS440
22	0000 350 3506	Pickup body
23	4238 140 1000	Filter cover (incl. 3)
24	0000 951 1109	Screw IS-M5x20
25	4238 141 6300	Air Baffle
28	4238 121 2400	Flat spring
29	4238 121 6100	Choke lever
30	4238 185 1500	Choke rod
31	9022 341 1220	Spline screw IS-M5x48
32	4238 129 0900	Gasket
33	4238 120 0603	Carburetor C1Q-S118H
34	410 280	Carburettor (non genuine)