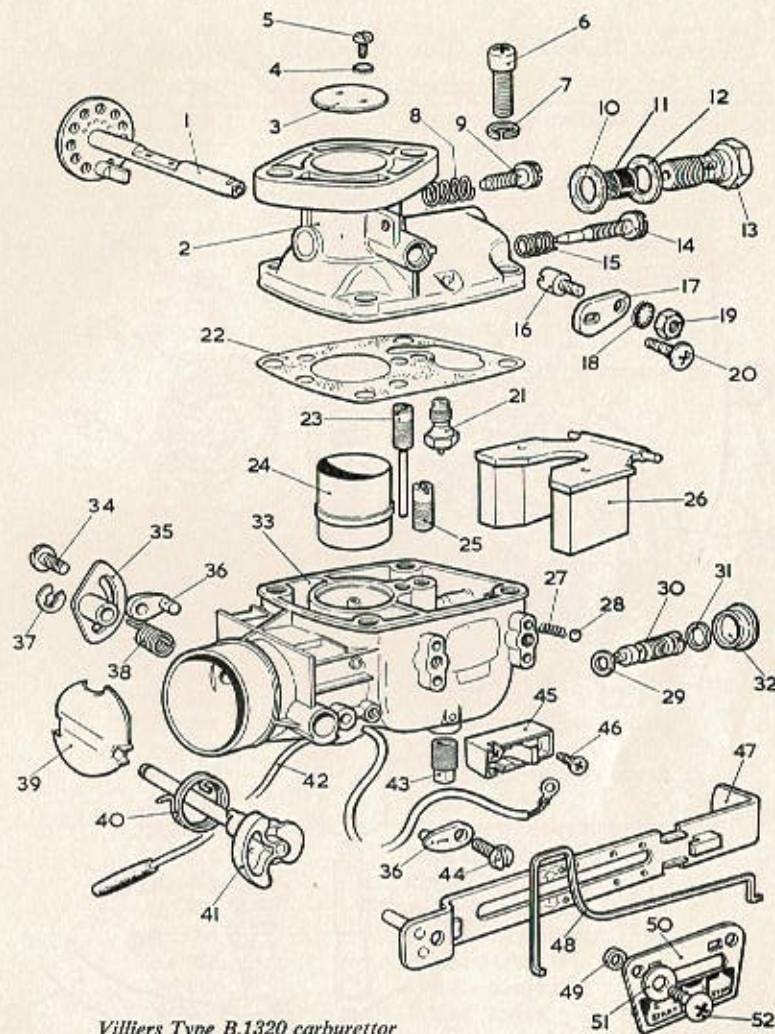


VILLIERS B.1320 CARBURETTOR

Illus. No.	Part No.	Description
1	A.28234	Throttle-lever assembly
2	A.40425	Top-body assembly
3	25471	Throttle plate
4	25893	Plate-screw washers (2)
5	25892	Throttle-plate screws (2)
6	27559	Top/bottom screws (4)
7	V.1430	Spring washers (4)
8	V.1332E	Throttle-stop spring
9	27370	Throttle-stop screw
10	V.383E	Banjo washer (small hole)
11	V.404E	Banjo gauze
12	H.104 x 8E	Banjo washer (large hole)
13	382E	Banjo bolt
14	27369	Pilot-jet adjusting screw
15	V.749E	Pilot adjusting-screw spring
16	28062	Idle-control cam screw
17	26429	Idle lever
18	2707E	Cam-screw shakeproof washer
19	26106	Lock nut
20	27558	Idle-lever screw
21	A.26728	Fuel inlet—valve assembly
22	26564	Body joint
23	A.27493	Pilot-jet assembly
24	25218	Choke tube
25	25469	Air jet
26	A.25210	Float assembly
27	EM.1166/1	Ball springs (2)
28	V.1921E	Indent balls (2)
29	25482	Main-jet joint washer
30	A.27509	Main-jet assembly
31	27500	Sealing ring
32	26466	Main-jet cap
33	A.40418	Bottom-body assembly
34	27718	Torsion-plate screw
35	27178	Torsion adjusting plate
36	27210	Distance pieces (2)
37	26769	Torsion-plate securing circlip
38	25207	Choke torsion spring
39	25204	Choke flap
40	26559	Choke return spring
41	A.27510	Choke-spindle assembly
42	A.28284	L.T. lead assembly
43	26430	Drain plug
44	27238	Distance-piece screw
45	A.26511	Ignition-switch assembly



Villiers Type B.1320 carburettor

Illus. No.	Part No.	Description
46	E.11532	Switch screw
47	A.27483	Choke-slide and cut-out assembly
48	27859	Idle-lever return spring
49	27187	Guide bushes (2)
50	27886	Indicator plate
51	27876	Guide-pin washer
52	27556	Guide pins (2)