

L&S ENGINEERS

2024 PLANT SPARES



L&S Engineers Ltd
Coppice Side, West Coppice Road
Brownhills, Walsall, WS8 7EX

Tel. 01543 378189
sales@lengineers.co.uk
www.lengineers.co.uk

Contents



	Mixer Spares	A-1		Floor Saw Spares	H-1
	Stihl TS400 Spares	B-3		Concrete Float Spares	H-6
	Stihl TS410 Spares	B-13		Trench Rammer Spares	H-9
	Husqvarna K650 Spares	C-1		Plate Compactor Spares	H-29
	Husqvarna K750/K760 Spares	C-3		Paslode Spares	H-34
	Makita Disc Cutter Spares	D-1		Generac Lighting Tower Spares	H-48
	Honda GX120 Engine Spares	E-15		Dumper Spares	I-1
	Honda GX160 Engine Spares	E-24		Vibrating Roller Spares	I-16
	Honda GX270 Engine Spares	E-33		Mini Digger Spares	I-20
	Honda GX390 Engine Spares	E-42		Plant Filters	J-1
	Yanmar L48AE Spares	F-1		Plant Keys	K-1
	Yanmar L100AE Spares	F-10		Spark Plugs	K-10
	Replacement Engines	F-20		Vibration Mounts	K-13
	Pneumatic Breaker Spares	G-1		V-Belts	K-16
	Atlas Copco Cobra TT Spares	G-23		Chain Saw Accessories	L-1
	Beaver Pack Spares	G-28		Brushcutter Heads	L-6

2024 Pricing

At L&S we do our very best to keep our prices stable each year, by working closely with our suppliers and absorbing costs where possible.

Due to uncertainty of both supply and input costs we reserve the right to increase prices without prior notice. Please check our website for up to date pricing at www.lsengineers.co.uk



L&S Engineers was formed in 1971 by Wyn Lees and Alan Shaw and operated from a small garage rented from the Coal Board. Originally a small engineering firm, making custom fabrications, water pump strainers and starting handles, the business supplied local customers and sub contracted to larger companies based in the West Midlands.

The business outgrew the original premises and relocated to Bridgetown in the mid 70's, where it continued to undertake a variety of fabrication and machinery work for the construction, plant hire, quarrying and engineering industries. Around this time, the company started to supply a small number of engine and small plant spares to its existing customers.

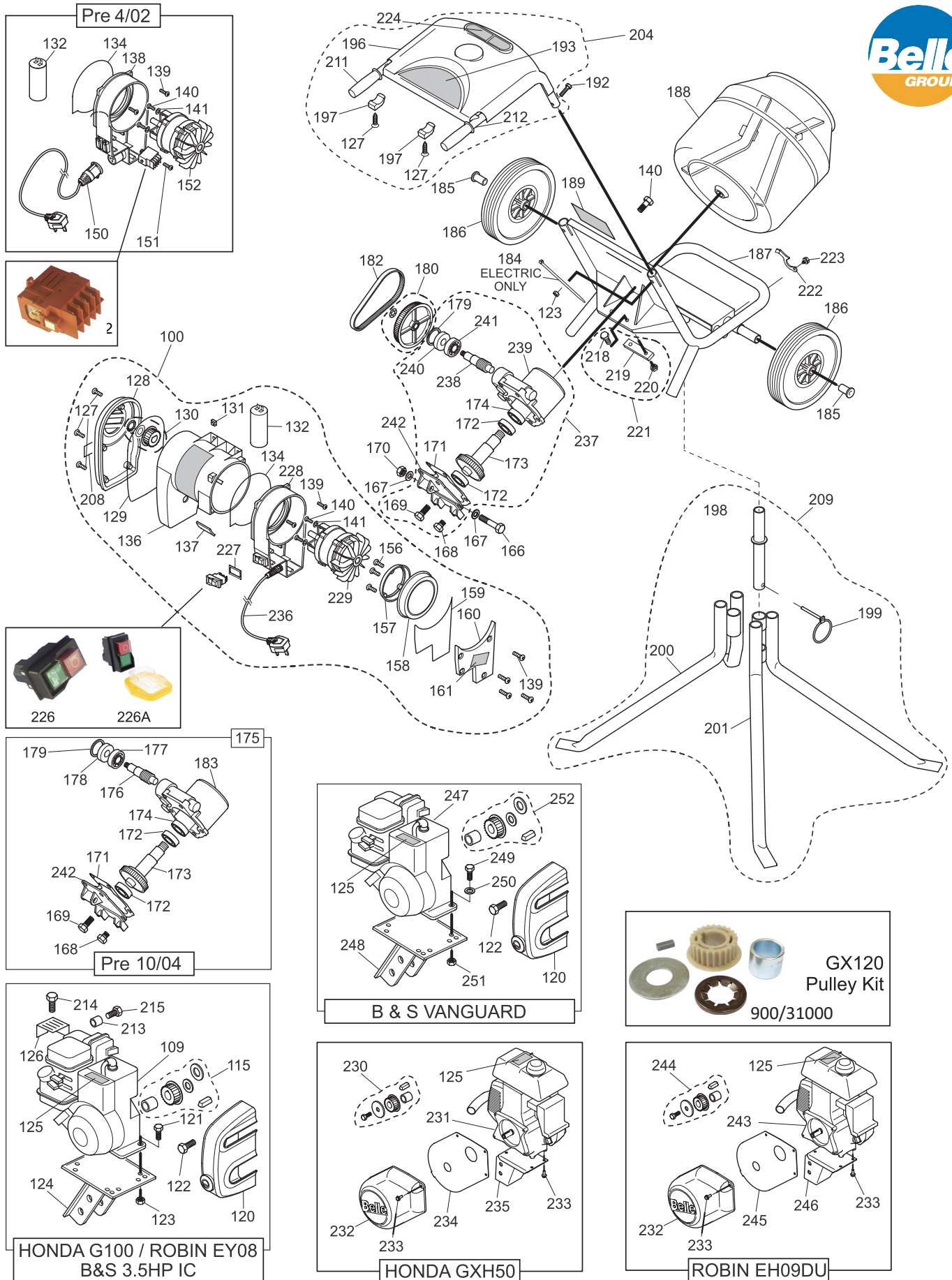


The spares side continued to grow and in the 80's, the business started a van delivery service which supplied spare parts and consumables to businesses all around the UK. The vans would be loaded to the limit and driven all over the country where customers would queue eagerly sometimes filling wheelbarrows with cheap parts from the North!

In 1986 we moved to West Coppice Road in Brownhills, just outside Walsall. The engineering side of the business was sold off in 1992 to concentrate on the growing spares business. Then in December 2015, we moved across the road into a brand new warehouse and office building.



Belle Minimix 150 Spares (after 1999)

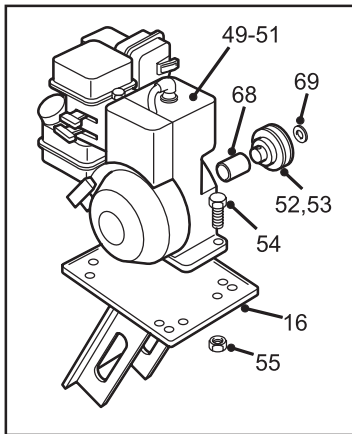
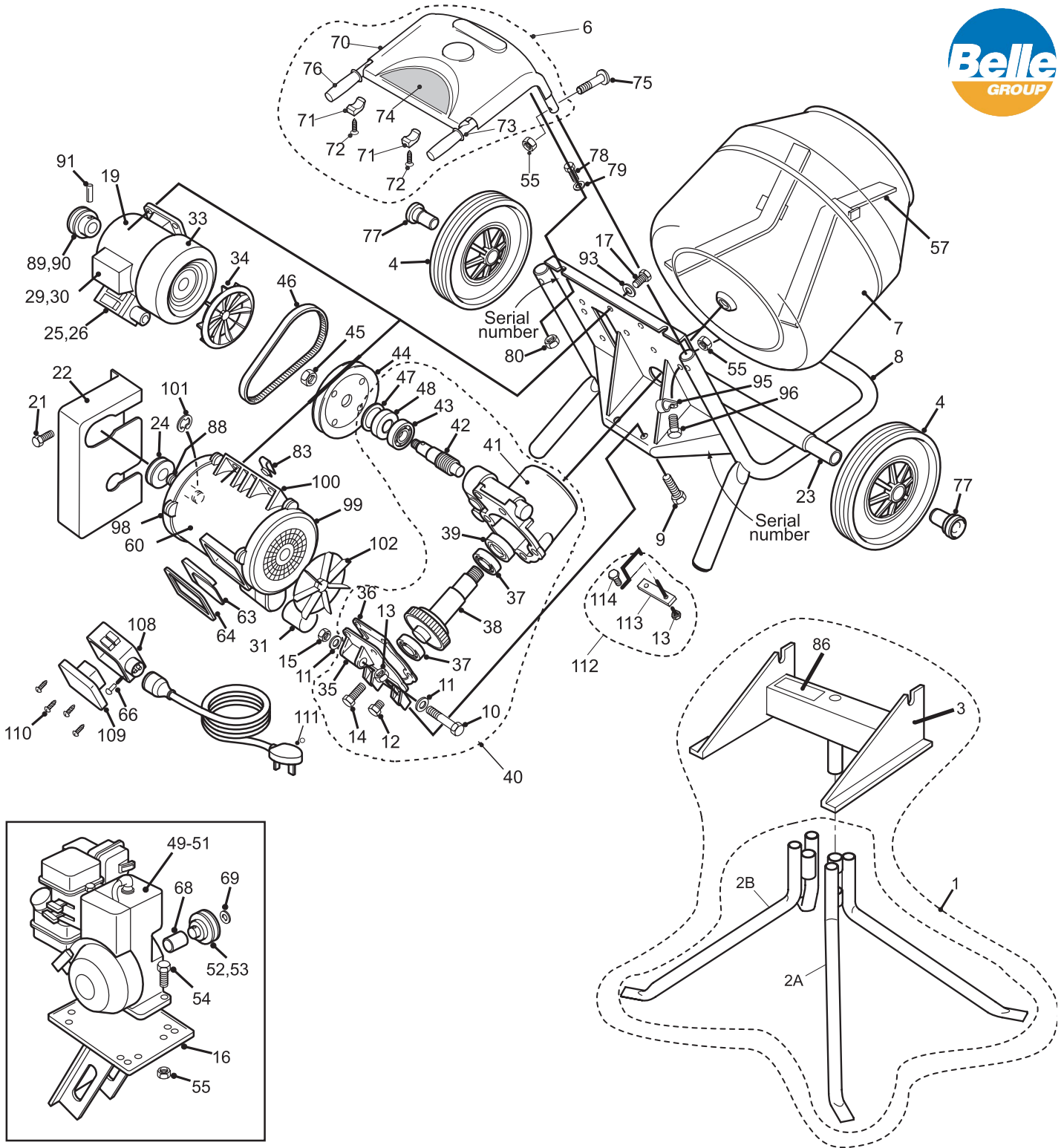


A - Mixer Spares

Belle Minimix 150 Spares (after 1999)

Part No.	Ref	Description	Price	Part No.	Ref	Description	Price
900/30100	100	Motor Kit 240V (after 04/02)	£159.20	900/30000	180	Gearbox Pulley Kit	£8.60
900/30300	102	Motor Kit 110V (after 04/02)	£189.00	900/31600	180	Gearbox Pulley Kit (GXH50)	£5.20
900/31000	115	Engine Pulley Kit (Briggs GX120)	£13.10	900/99915	182	Toothed Belt	£3.60
900/32600	115	Engine Pulley Kit (Honda G100)	£12.20	900/99926	182	Toothed Belt (GXH50)	£3.70
900/32600	115	Engine Pulley Kit (Robin)	£12.20	NLA	183	Gearbox Casing (1989 to 10/04)	-
900/99927	120	Belt Guard	£11.53	900/10200	184	Cable Clip	£1.30
7/8008	121	Screw M8 (Honda)	£0.40	900/11400	185	Wheel Retainer	£1.38
9/8003	121	Screw M8 (Briggs & Robin)	£0.30	60/0286	186	Rubber Wheel (was CMS16)	£18.75
7/10002	122	Screw 10 x 3/8"	£0.38	900/24800	187	Frame Assembly	£179.40
8/8001	123	Nut M8	£0.30	CMS12	188	Drum c/w Blades	£159.00
900/33200	124	Engine Deck (Honda G100)	£14.07	9/8021	192	Dome Bolt M8	£1.01
900/40400	124	Engine Deck (Honda GX120)	£34.59	800/21300	193	Decal	£3.78
900/33300	124	Engine Deck (Briggs & Robin)	£33.96	900/99914	196	Top Cover Only	£17.00
800/21320	125	Decal Hot Parts	£3.90	900/99918	197	Top Cover Clamp	£0.68
900/20600	126	Exhaust Guard	£17.08	900/26600	198	Stand Adapter	£15.20
NLA	127	Screw 5.5 x 25	-	3/1007	199	Lynch Pin	£0.35
900/26103	128	Belt Cover	£4.07	900/17100	200	Stand Half (1 Boss)	£64.38
900/99907	129	Belt Guard Seal	£2.34	900/17000	201	Stand Half (2 Boss)	£69.82
900/29900	130	Pulley Kit Electric	£4.50	900/31700	204	Handle Assy	£39.90
8/8007	131	Lug Nut M8	£0.95	800/21271	208	Decal Belt Cover	£0.56
70/0135	132	Capacitor 25uf (240v) - White	£21.80	900/26500	209	Stand Assy	£144.30
70/0136	132	Capacitor 110uf (110v) - Black	£17.50	XS35	211	Handle Grip	£1.62
900/99908	134	Switch Housing Seal	£1.80	900/25000	212	Handle Frame Only	£19.80
900/26101	136	Motor Housing	£13.44	9/10005	218	Bolt M10 x 45	£0.56
900/26105	137	Cable Cover Insert	£1.36	900/99931	219	Gearbox Support Plate	£2.38
NLA	138	Switch Assy 240v (pre 04/02)	-	8/10009	220	Nut M10	£0.55
NLA	138	Switch Assy 110v (pre 04/02)	-	900/32300	221	Strengthen Plate Kit	£4.40
NLA	139	Screw 5.5 x 16	-	900/99911	222	Stand Clip	£3.98
7/8037	140	Flanged Screw M8 x 20	£0.40	7/8045	223	Flanged Nut M8	£0.72
4/8008	141	Washer 5/16 x 1	£0.40	70/0202	226	Switch 110v (04/02 to 04/07)	£24.36
901/99921	142	NVR Switch 240v	£39.25	70/0194	226	Switch 240v (04/02 to 04/07)	£17.00
901/99923	142	NVR Switch 110v	£43.68	900/41800	226A	Switch 110v (04/02 to 04/07)	£33.58
900 975	150	NVR Cable Assy 240v	£13.90	900/41700	226A	Switch 240v (04/02 to 04/07)	£36.52
7/0009	151	Screw 3.5 x 9.5	£0.40	71/0258	-	Switch Wire	£1.62
NLA	152	240v - Use item 100	-	70/0195	227	Switch Gasket (04/02 to 04/07)	£10.63
NLA	152	110v - Use item 102	-	900/34500	228	Switch Assy 110v (after 2002)	£63.52
7/0008	156	Screw 4 x 19	£0.40	900/33800	228	Switch Assy 240v (after 2002)	£61.30
901/99915	157	Inner Motor Shield	£3.28	900/34400	229	Motor Only 110v (after 04/07)	£118.10
901/99916	158	Outer Motor Shield	£16.94	900/34300	229	Motor Only 240v (after 04/02)	£99.00
900/99909	159	Switch Cover Seal	£1.95	900/99946	229B	Motor Fan	£4.50
900/26104	160	Switch Cover Cap	£2.00	900/36400	230	Pulley Kit (Honda GXH50)	£20.87
800/21250	161	Decal Motor Rating 240v	£1.07	GXH50	231	Honda GXH50 Engine	£481.00
800/21260	161	Decal Motor Rating 110v	£1.32	900/99935	232	Belt Cover (GXH50)	NLA
9/12005	166	Bolt M12 x 70	£1.03	7/6034	233	Flanged Screw M6	£0.52
4/1205	167	Washer M12	£0.40	900/99934	234	Belt Guard Plate (GXH50)	£4.96
MS12	168	Filler Bung	£1.95	900/35300	235	Engine Deck (GXH50)	£16.42
7/8003	169	Setscrew M8 x 25	£0.64	71/0179	236	Lead Assy 240v	£23.95
8/12002	170	Nut M12	£0.35	71/0180	236	Lead Assy 110v	£19.57
MS11	171	Gearbox Gasket	£0.87	900/37600	237	Gearbox Assy	£96.30
CMS10	172	Ball Bearing	£4.35	900/37601	238	Wormshaft (after 10/04)	£18.97
MS09	173	Drum Shaft	£47.63	900/37602	239	Gearbox Casing (after 10/04)	£30.42
CMS11	174	Drum Shaft Oil Seal	£1.14	5/0052	240	Oil Seal (after 10/04)	£1.97
900/37600	175	Gearbox Assy	£96.30	53/0032	241	Ball Bearing (after 10/04)	£3.16
900/24701	176	Worm Shaft (06/99 to 10/04)	£19.23	MS10	242	Back Plate	£13.53
PS013	177	Ball Bearing (1989 to 10/04)	£5.18	900/38400	244	Pulley Kit (Robin EH09)	£13.33
CMS41	178	Oil Seal (1989 to 10/04)	£3.39	900/37900	245	Back Plate (Robin EH09)	£7.64
MS22	179	Circlip	£0.89	900/38000	246	Engine Deck (Robin EH09)	£49.32

Belle Minimix 140/150 Spares (before 1999)



EP90 Gearbox Oil

EP 90 is formulated for use in manual gear boxes, with or without synchromesh. Formulated using high quality base oils, anti-wear and extreme pressure additives. Suitable for all Belle gearboxes. 1 Litre.

EP90 £5.95

Belle Minimix 140/150 Spares (before 1999)

Part No.	Ref	Description	Price
900/14300	1	Stand Assy	£185.90
900/14200	2	Stand Bottom (LH & RH)	£128.20
900/17000	2A	Stand Bottom (2 Boss)	£69.82
900/17100	2B	Stand Bottom (1 Boss)	£64.38
900/11600	3	Stand Top	£69.87
60/0286	4	Rubber Wheel (was CMS16)	£18.75
900/31700	6	Handle Assy	£39.90
CMS12	7	Drum c/w Blades	£159.00
900/24800	8	Frame Assy	£179.40
7/10003	9	Setscrew M10 x 35	£0.40
9/12005	10	Bolt M12 x 70	£1.03
4/1205	11	Washer M12	£0.40
MS12	12	Filler Bung	£1.95
8/10002	13	Nut M10	£0.40
7/8003	14	Setscrew M8 x 25	£0.64
9/12003	15	Nut M12	£0.48
900/23400	16	Motor Deck (G100/Loncin)	£19.04
7/8011	17	Screw M8 x 20	£0.40
CMS02	19	Motor 110v	NLA
7/10002	21	Screw M8 x 20	£0.38
MS14	22	Belt Guard	NLA
900/11503	23	Axle Tube	NLA
900/12400	24	Screw On Pulley (Electric)	£11.33
CMS63	25	Switch Box 110v	£109.00
CMS36	26	Acc Plate 110v	£30.20
CMS17	29	Capacitor Cover	NLA
CMS29	30	Capacitor 110v (Silver)	NLA
231 572	31	Capacitor 240v (White)	£9.50
CMS25	33	Fan Cowl (240v/110v)	£74.42
CMS24	34	Fan (240v/110v)	NLA
MS10	35	End Plate (after 1989)	£13.53
MS11	36	Gearbox Gasket	£0.87
CMS10	37	Ball Bearing	£4.35
MS09	38	Drum Shaft	£47.63
MS09	38	Drum & Worm Shaft Assy	£47.63
CMS11	39	Oil Seal	£1.14
MS25	40	Gearbox Assy	£105.80
MS08	41	Gearbox Case	NLA
MS21	42	Wormshaft	NLA
PS013	43	Ball Bearing	£5.18
CMS39	44	Gearbox Pulley	£5.60
8/12003	45	Nut M12	£1.24
MS01	46	V-Belt A23.5	£4.43
MS22	47	Circlip	£0.89
CMS41	48	Oil Seal	£3.39
LC152F-P5	49	Loncin G152 (Replaces G100)	£167.60

Part No.	Ref	Description	Price
MS18	52	Engine Pulley (3/4" Shaft)	£16.03
900/21300	53	Engine Pulley (Honda G100)	£113.10
MS18	53	Engine Pulley (Robin EY08)	£16.03
9/8003	54	Bolt M8 x 35	£0.30
8/8001	55	Nut M8	£0.30
4/8002	55	Lock Washer M8	£0.31
CMS13	57	Paddle Kit (incl. 2 paddles)	£10.95
900/20400	60	NVR Motor 240v	£357.70
900/19200	63	Motor Adaptor Plate	£1.48
900/19600	64	Gasket	NLA
900/19100	66	Snap Rivet	£11.07
4/0008	69	Star Washer	£0.57
900/99914	70	Top Cover	£17.00
900/99918	71	Top Cover Clamp	£0.68
7/5017	72	Screw 5.5	£0.40
900/25000	73	Handle Frame Only	£19.80
800/21300	74	Decal	£3.78
9/8021	75	Dome Screw M8	£1.01
XS35	76	Handle Grip	£1.62
900/11400	77	Wheel Retainer	£1.38
7/6001	78	Setscrew M6 x 12	£0.40
4/6003	79	Washer M6	£0.40
8/6001	80	Nut M6	£0.64
8/8007	83	Lug Nut M8	£0.95
900/15000	88	Sleeve Motor Shaft	NLA
MS17	89	Motor Pulley (5/8")	£10.83
7/6008	91	Grub Screw M6	£0.40
4/8008	93	Washer 5/16"	£0.40
900/10100	95	Cable Clip	£2.38
900/10200	95	Cable Clip No. 6	£1.30
7/8008	96	Screw M8	£0.40
900/16700	98	Motor Cover	£54.78
900/16800	99	Motor Cover	NLA
900/16400	100	Motor Casing	£100.30
600/03150	101	E-Clip	NLA
900/16500	102	Motor Fan	£28.41
900/19400	108	Base Box 240v	NLA
900/19300	109	Lid Assy 240v	£125.70
900 975	111	NVR Lead Assy 240v	£13.90

DRUM SHAFT KIT

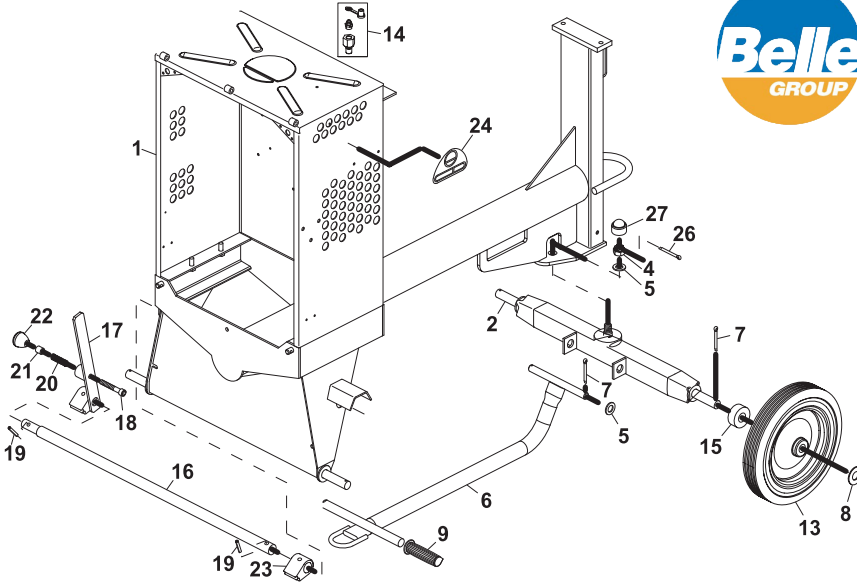
Includes Drum Shaft, Drum Shaft Bearings, Drum Shaft End Plate Gasket, Drum Shaft Oil Seal and EP90 Gear Oil 1 Litre.

150 300 £64.28



Belle Premier XT Spares

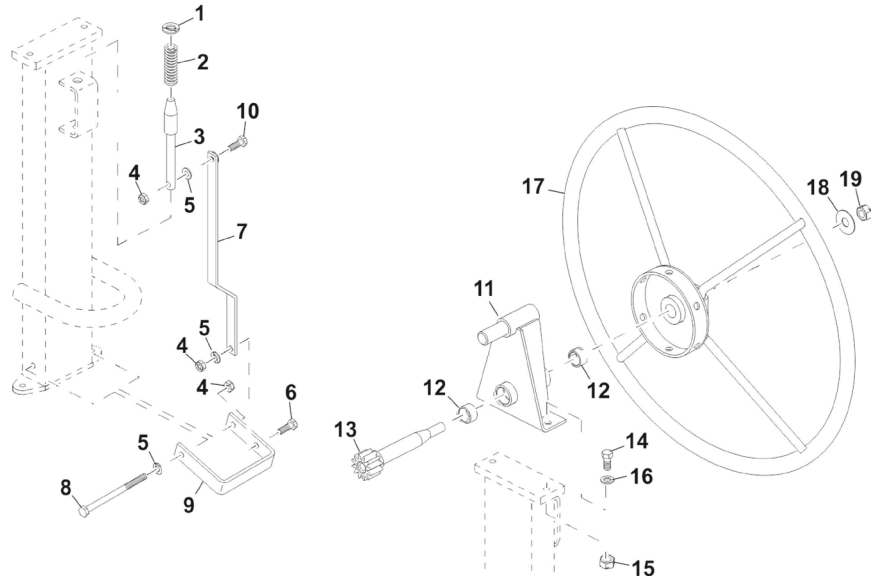
100XT FRAME ASSEMBLY



Part No.	Ref	Description	Price
909/11200	1	Frame 100XT/150XT	£738.50
909/12300	2	Axle	£156.50
8/20002	4	Nut M20	£5.85
4/2001	5	Washer M20	£0.38
909/11100	6	Towbar	£81.70
3/0006	7	Split Pin	£0.40
4/0009	8	Washer M26	£0.99
XS35	9	Hand Grip	£1.62
909/99845	13	Wheel	£81.80
909/20000	14	Grease Nipple Assy	£19.62
909/99996	15	Spacer	£5.68
909/17402	16	Brake Bar	£40.77
909/99998	17	Lever	£37.49
7/10015	18	Screw M10 x 65	£0.98
3/0044	19	Spirol Pin	£2.31
2/0027	20	Spring	£7.22
909/99997	21	Spacer	£6.23
74/0001	22	Knob	£23.83
909/17401	23	Brake Cam	£17.83
800/23402	24	Decal Kit 100XT	£3.48
3/0049	26	Split Pin	£0.40
3/4034	27	Cap	£1.42

Part No.	Ref	Description	Price
4/1601	1	Washer M16	£0.40
2/0029	2	Spring	£5.85
909/99910	3	Plunger	£15.67
8/10001	4	Nut M10	£1.39
4/1005	5	Washer M10	£0.40
7/10010	6	Screw M10 x 30	£0.40
909/99926	7	Plunger Link	£66.76
9/10015	8	Bolt M10 x 150	£1.97
909/99929	9	Foot Pedal	£23.74
9/10004	10	Bolt M10 x 35	£0.40
909/14800	11	Pivot	£80.61
50/000016	12	Composite Bush	£13.44
909/14900	13	Tip Gear	£51.35
7/12013	14	Screw M12 x 35	£0.61
8/12001	15	Nut M12	£1.05
4/1204	16	Washer M12	£0.40
909/10500	17	Hand Wheel	£158.20
4/1607	18	Washer M16	£0.99
8/16003	19	Nut M16	£4.45

100XT HAND WHEEL



100XT DRIVE BELTS

Fig.1



Fig.2



Part No	Fig.	Type	Description	Price
A37	1	Drive Belt	Lister Engine & Electric Before 07/02	£4.75
A38	1	Drive Belt	Fits Electric Motor After 07/02	£4.75
21/0117	1	Drive Belt	Fits Yanmar L40/ L48 Engine	£5.55
908/15500	2	Toothed	Before May 2004 (112 Teeth)	£47.53
21/0163	2	Toothed	After May 2004 (114 Teeth)	£39.00

PREMIER XT ENGINE



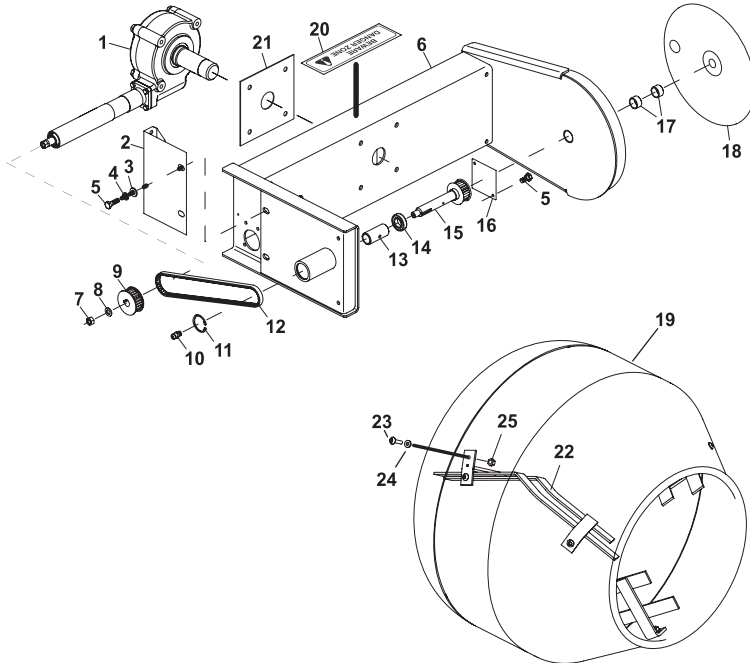
Yanmar L48ARE-SE Diesel Engine fits Belle Premier 100XT, 150XT, 175XT and 200XT Site Mixers.



Part No.	Net Price
20/0024	£1,235.00

Belle Premier XT Spares

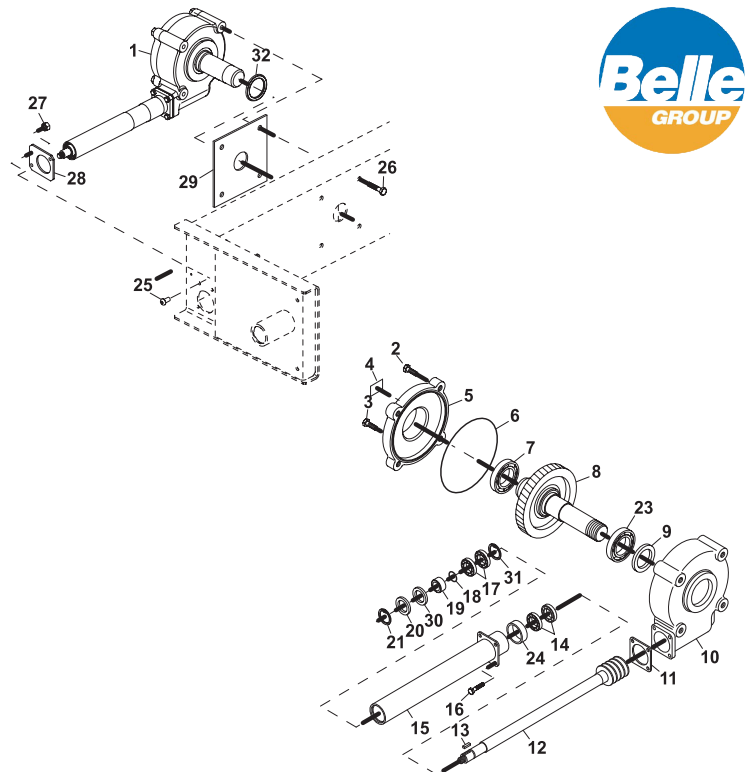
100XT YOKE & DRUM



Part No.	Ref	Description	Price
909/20300SP	1	Gearbox 100/150XT	£694.50
909/99942	2	Guard	£10.10
7/6032	5	Screw M6 x 12	£0.53
909/10700	6	Yoke 100XT/150XT	£683.00
8/12003	7	Nut M12	£1.24
4/1205	8	Washer M12	£0.40
908/15700	9	Pulley (up to May 04)	£145.70
909/99807	9	Pulley (after May 04)	£41.84
500/06100	10	Grease Nipple	£0.65
PS022	11	Circlip	£0.95
908/15500	12	Drive Belt (up to May 04)	£47.53
21/0163	12	Drive Belt (after May 04)	£39.00
909/99932	13	Spacer	NLA
909/30500	14	Bearing	£9.40
909/13100	15	Layshaft (up to May 04)	NLA
909/19900	15	Layshaft (05/04 to 02/09)	£54.52
909/30400	15	Layshaft (after Feb 09)	£79.72
908/15900	16	Cover	£55.60
50/000016	17	Bush	£13.44
908/21200	18	Cover	£12.10
909/18300	19	Drum & Paddles - 100XT	£762.11
909/19100	22	Paddle Kit 100XT (07/02 on)	£174.50
7/12017	23	Screw M12 x 30	£3.23
4/1201	24	Washer M12	£0.40
8/12001	25	Nut M12	£1.05

Part No.	Ref	Description	Price
909/20300SP	1	Gearbox 100/150XT	£694.50
7/12014	2	Bolt M12 x 40	£0.48
XS01	3	Bung	£3.78
PS111	5	Cover	£54.56
5/0022	6	Seal	£1.87
PS002	7	Bearing	£10.88
909/17300	8	Main Shaft	£394.20
5/0044	9	Seal	£3.14
909/13001	10	Case	£117.80
5/0043	11	Gasket	£2.09
909/15000	12	Wormshaft - 100/150XT	£168.00
908/99901	13	Key	£2.75
53/0010	14	Bearing	£10.72
909/15100	15	Tube Carrier - 100/150XT	£113.50
7/8012	16	Bolt M8 x 25	£0.40
PS013	17	Bearing	£5.18
5/0015	18	Seal	£0.40
909/12904	19	Spacer	£15.83
PS016	20	Seal	£1.74
MS22	21	Circlip	£0.89
53/0004	23	Bearing	£24.93
909/12902	24	Spacer	£13.63
7/8049	25	Screw M8 x 16	£0.40
7/12004	26	Bolt M12 x 25	£0.70
8/8002	27	Nut M8	£1.38
908/16000	28	Plate	£5.06
909/99995	29	Plate (up to PM40005925)	£11.08
909/99810	29	Plate (after PM40005925)	£11.71
909/12903	30	Spacer	£2.33

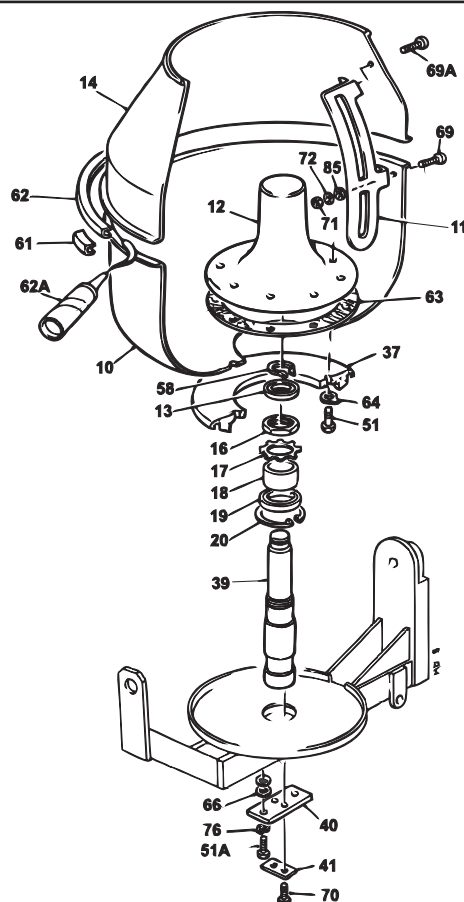
100XT GEARBOX



Part No.	Ref	Description	Price
3/9003	31	Circlip	£0.92
5/0067	32	Seal	£3.45

Winget 100T Mixer Spares

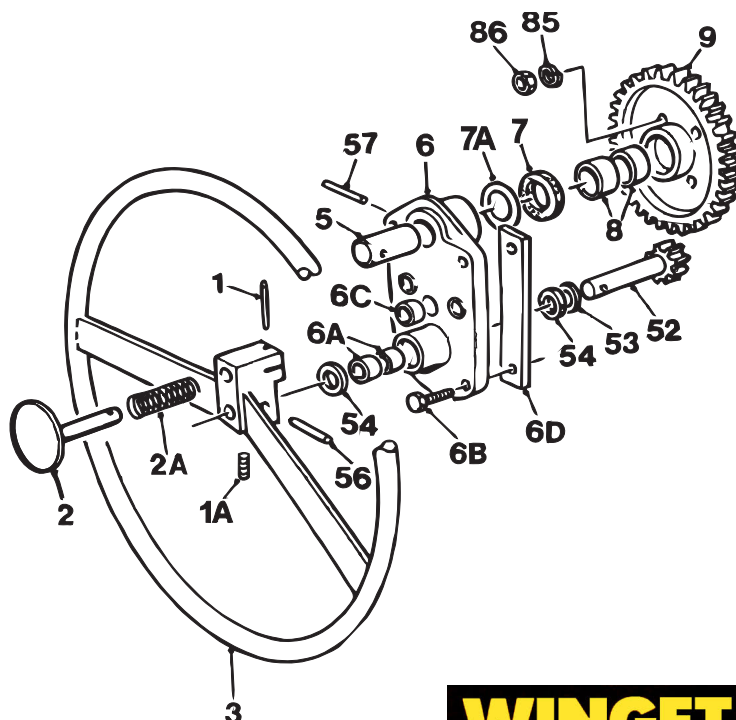
100T DRUM ASSEMBLY



Part No.	Ref	Description	Price
513152901	10	Drum Base 100T	£493.00
513151100	11	Blade 100T	£50.49
513149600	12	Drum Centre Hub	£270.00
88S07D	13	Bearing	£17.96
513152902	14	Drum Cone Top 100T	£308.10
513208800	16	Locking Nut	£13.56
513152300	18	Drum Shaft Spacer	£11.09
88S20D	19	Bearing	£24.11
132390000	20	Circlip	£2.11
513150100	37	Bevel Gear Drum	£244.30
513152200	39	Drum Shaft	£120.40
513152000	40	Flange Drum Shaft	£10.85
513152100	41	Tab Washer	£1.76
66S05D	51	Bolt	£1.02
28S05G	51A	Bolt	£1.47
142330000	58	Circlip	£0.94
513203900	61	Bridge Piece 100T	£4.48
513203600	62	Drum Clip 100T	£36.66
FX085528	62A	Flexible Adhesive	£4.85
513202800	63	Gasket	£7.73
513199800	64	Tab Washer	£0.82
10S04	66	Flat Washer	£0.46
200S03E	69A	Screw Blade Upper 100T	£1.18
200S03G	69	Screw Blade Lower 100T	£2.07
28S05G	70	Screw	£1.47
104S03	71	Nut	£0.46
41S05	72	Spring Washer	£0.46
41S07	76	Spring Washer	£0.48
10S03	85	Flat Washer	£0.52

Part No.	Ref	Description	Price
54S01A	1	Spirol Pin	£0.78
57S06F1	1A	Grub Screw 100T	£0.71
513194400	2	Locking Plunger	£29.40
513345300	2A	Plunger Spring 100T	£2.67
513345400	3	Handwheel	£181.70
513151000	5	Trunnion Journal Stub	£11.71
513149400	6	Tilting Bracket Assembly	£138.60
112821000	6A	Bush	£5.59
103S04C	6B	Socket Head Cap Screw	£0.99
114625320	6C	Bush	£8.60
513212300	6D	Tilt Bracket Retaining Bar	£7.22
225520280	7	Felt Seal	£1.79
10S09	7A	Flat Washer	£2.32
112820000	8	Bush	£5.67
513149300	9	Tilt Gear	£178.00
513152700		Chain Guard 100T	£36.72
513345600	52	Tilting Pinion (after 1988)	£51.81
513151500	52	Tilting Pinion (before 1988)	£125.60
10S18	53	Flat Washer	£0.81
225514220	54	Felt Washer	£2.67
513374900	56	Grooved Pin (after 1988)	£3.93
513151400	56	Cotter Pin (before 1988)	£22.43
55S07Q	57	Spirol Pin	£1.72
10S03	85	Flat Washer	£0.52
107S14	86	Nyloc Nut	£0.39

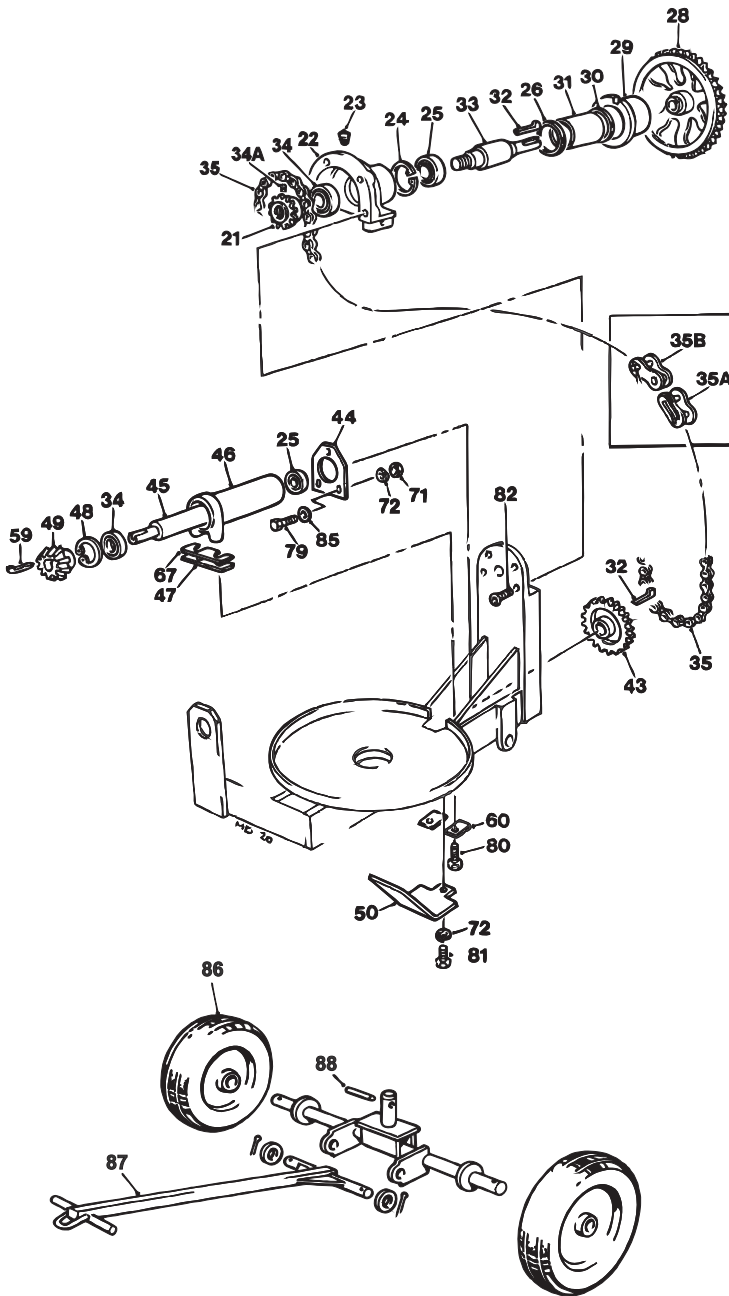
100T TILT WHEEL



WINGET






Winget 100T Mixer Spares

100T DRUM DRIVE & TOWBAR

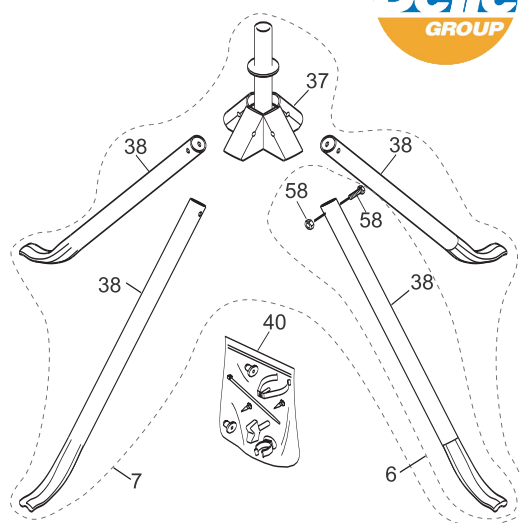
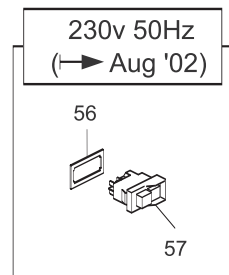
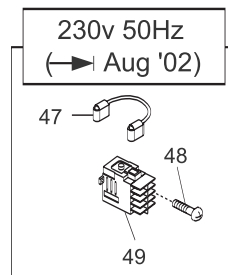
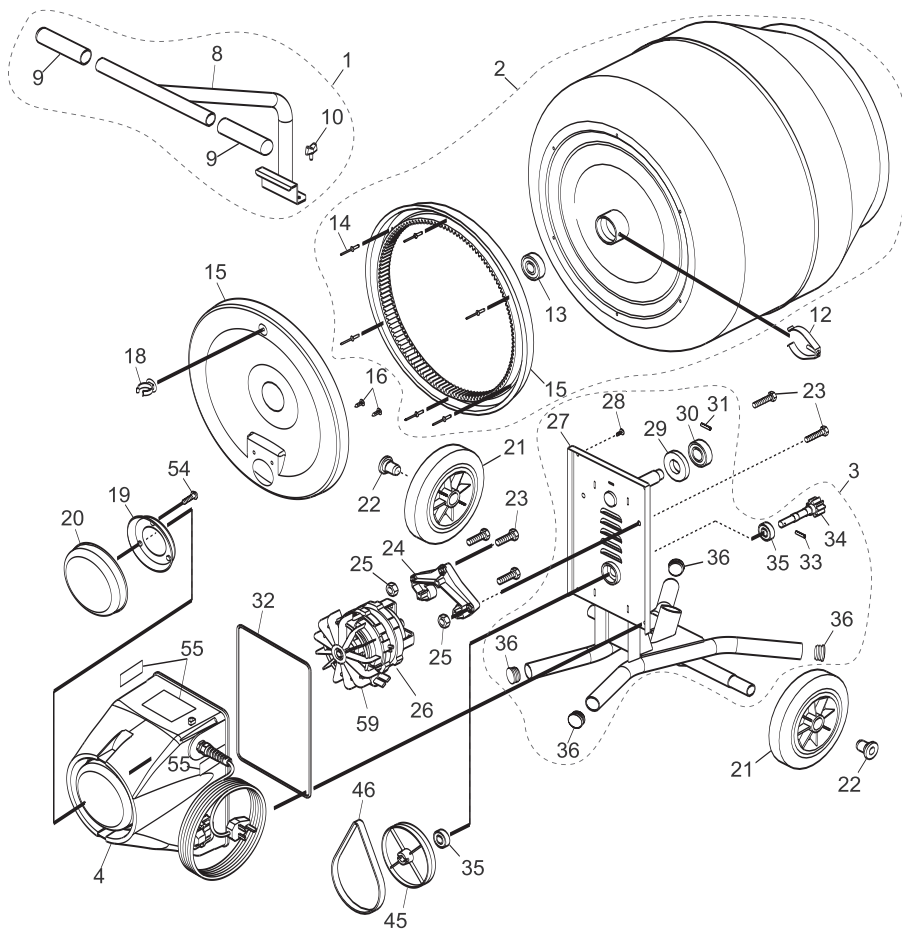


Part No.	Ref	Description	Price
513151600	21	Countershaft Sprocket (L/H)	£49.50
513149700	22	Trunnion Journal	£106.30
315803100	23	Greasing Plug	£2.30
132352000	24	Circlip	£1.37
88S15D	25	Bearing	£5.23
49S41	26	O-Ring 79mm	£1.16
513150200	28	Countershaft Chainwheel	£158.40
513290700	28	Belt Pulley (Yanmar/Elec)	£111.80
513150400	29	Trunnion Bearing	£65.89
49S42	30	O-Ring 75.5mm	£1.31
513153100	31	Nylatron Bearing Strip	£9.06
300204140	32	Gib Head Key	£5.36
513151700	33	Countershaft (L/H Thread)	£41.80
88S05D	34	Bearing	£7.33
57S04D2	34A	Grub Screw 100T	£0.52
800 225	35	1/2" Drive Chain - 5 metres	£52.98
800 221	35	5/8" Drive Chain - 5 metres	£58.85
800 226	35A	1/2" Connecting Link	£1.36
800 222	35A	5/8" Connecting Link	£1.38
800 227	35B	1/2" Half Link	£2.36
800 223	35B	5/8" Half Link	£3.57
513150300	43	Bevel Pinion Shaft Sprocket	£57.47
513298900	44	Adjusting Plate	£11.93
513152500	45	Bevel Pinion Shaft 100T	£78.16
513149800	46	Pinion Shaft Housing	£88.90
513152400	47	Packing (Set of 4)	£7.88
132362000	48	Circlip	£1.47
513278400	49	Bevel Pinion	£83.70
513211800	50	Bevel Pinion Guard	£25.12
300204140	59	Gib Head Key	£5.36
513211900	60	Tab Washer	£1.57
513211700	67	Packing	£7.32
104S03	71	Nut	£0.46
41S05	72	Spring Washer	£0.46
66S03C	79	Screw	£0.62
66S03D	80	Screw	£0.75
66S03AA	81	Screw	£0.40
208S03F	81	C/Sunk Socket Screw	£1.87
10S03	85	Flat Washer	£0.52

Part No.	Ref	Description	Price
800 233	86	Solid Wheel 14" x 1.1/4" Bore	£61.00
800 230	86	Solid Wheel 16" x 1.1/4" Bore	£64.50
513412000	87	Towbar	£82.60
353830650	88	Spirol Pin	£1.45

									
Drive Belt Electric Motor	Drive Belt Yanmar L40/L48	100T Early Models 14" x 1.1/4" Bore	100T Later Models 16" x 1.1/4" Bore	Chain Link Splitter For 35-50 Type Chain					
397400300	£16.63	397400200	£13.50	800 233	£61.00	800 230	£64.50	800 220	£16.60

Belle Minimix 130 Spares



Part No.	Ref	Description	Price	Part No.	Ref	Description	Price
901/14800	1	Handle Assy	£21.97	901/13500	27	Please See Ref 3 (901/15000)	£94.80
901/14900	2	Drum Assy	£169.20	7/6028	28	Taplite M6 x 10	NLA
901/15000	3	Frame Assy	£170.60	901/99934	29	Drum Boss Protector	£2.49
901/15400	4	Motor Cover	£56.01	53/0001	30	Mainshaft Bearing	£3.67
901/14600	6	Stand Leg Kit	£18.97	3/0007	31	Roll Pin 1/4"	£1.13
901/14700	7	Stand Assy	£90.00	901/99907	32	Motor Cover Seal	£2.17
901/13700	8	Handle Frame	£16.89	3/0039	33	Spirol Pin 6mm	£0.88
900/99906	9	Handle Grip	£0.76	901/10800	34	Drive Pinion	£26.65
74/0002	10	Wing Nut (before 09/01)	£1.40	53/0002	35	Driveshaft Bearing	£2.38
7/8046	10	Thumb Screw (after 09/01)	£1.39	3/4026	36	Plug	£0.38
3/1009	12	Drum Clip	£4.48	901/13900	37	Leg Support Pivot	£36.00
53/0003	13	Drum Boss Bearing	£6.37	929/99901	38	Stand Leg	£8.47
3/0050	14	Rivet 4.8 x 10	£0.40	92/00200	39	Button Clip	£19.38
901/99956SP	15	Gear Ring & Cover	£25.60	92/00100	40	Kit Bag	£20.53
3/7020	16	Push Clip	£0.64	901/99935	41	Extension Cable	£16.87
3/7019	18	Pipe Clip	£1.59	901/99908	45	Belt Pulley	£3.00
901/99916	19	Cover Shield Outer	£16.94	901/99912	46	Belt	£4.52
901/99915	20	Cover Shield Inner	£3.28	7/0009	48	Screw	£0.40
60/0285	21	Rubber Wheel	£8.89	901/99921	49	NVR Switch 240v (pre 08/02)	£39.25
900/11400	22	Wheel Retainer	£1.38	800/22100	55	Decal Kit	£8.65
7/8009	23	Setscrew M8 x 30	£0.30	70/0195	56	Switch Seal	£10.63
901/99910	24	Motor Bracket	£3.77	70/0194	57	Switch 240v (after 08/02)	£17.00
8/8008	25	Nyloc Nut M8	£0.30	92/00200	58	Kit - Leg Fasteners	£19.38
901/99958	26	Motor 240v	£81.80	901/99964	59	Motor Fan	£2.04
				70/0137	-	Capacitor	£23.32

Benford CT 5 / 3½ Mixer Spares

Drum Top	Drum Mixing Blade	Clamp Strip for Drum Seal	Drum Seal	Bevel Pinion (14 Tooth)					
R20Z	NLA	L34Z	£266.60	R248	£3.35	R224	£52.47	J28Z	£106.30
Bevel Gear Ring (70 Tooth)	Handwheel Plunger Assembly	Rivet for R248 Clamp Strip	Bevel Pinion Shaft	Drive Shaft Sprocket					
R167	£296.90	T42 ASSY	£80.10	R281-5	£2.31	R27Y	£77.41	R18Y	£197.50
Drive Shaft Bearing	Drum Shaft Base Bearing	Drum Shaft Top Bearing	Countershaft Bearing	Drive Chain c/w Connecting Link					
J29Z	£9.00	R71Z	£22.45	K72Z	£14.75	R79Z	£16.50	R36	£15.30
Chain Link Splitter For 35-50 Type Chain	Drive Belt	Canister Air Filter Lister LT1	Fuel Filter Element Lister LT1	Tank Filter Lister LT1					
800 220	£16.60	R371	£21.70	LA1200	£7.92	LF429	£2.56	LF443	£4.10

SOLID MIXER WHEELS



Heavy duty solid mixer wheels
Fits a wide range of plant

Part No.	Diam.	Bore	Price
800 232	14"	1"	£38.50
800 233	14"	1.1/4"	£61.00
800 231	16"	1"	£42.28
800 230	16"	1.1/4"	£64.50

LISTER LT1 START HANDLES



Non-Genuine LT1 Starting Handles
NOT Anti-Kickback Type

Part No.	Size	Rotation	Price
SH7/1	7/8"	Right Hand	£30.00
SH7/2	7/8"	Left Hand	£30.00
SH7/3	3/4"	Right Hand	£30.00
SH7/4	3/4"	Left Hand	£17.80

Belle Promix Spares

PROMIX PADDLE MIXERS



Professional hand held paddle mixers

Suitable for high viscosity materials like plaster, cement, mortar, tile adhesives and render

Heavy duty motor



Part No.	Power	Voltage	Price
1200E/240	1200W	240v	£302.40
1200E/110	1200W	110v	£329.50
1600E/240	1600W	240v	£329.80
1600E/110	1600W	110v	£338.40

CARBON BRUSHES



Replacement Carbon Brushes

1 Pair



Part No.	Suits	Voltage	Price
949/99589	1200E	110v	£5.77
949/99588	1600E	110v	£7.45
949/99541	1600E	240v	£18.73

PROMIX MIXING PADDLES



Professional, heavy duty mixing paddles

2 & 3 blade options



Part No.	Size	Blades	Suits	Price
949/99584	140mm	2	1200E	£35.83
949/99585	160mm	2	1600E	£36.03
949/99586	140mm	3	1200E	£41.30
949/99587	160mm	3	1600E	£44.79

SWITCH

Promix 1200E/1600E switches



Part No.	Description	Price
949/99502	White (up to 06/08)	£17.27
949/99593	Black (after 06/08)	£17.93

BRUSH HOLDERS

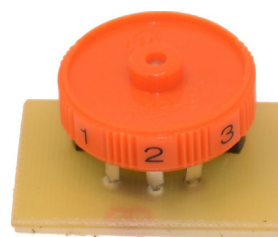


Carbon Brush Holders - each



Part No.	Suits	Price
949/99569	1200E	£2.70
949/99540	1600E	£3.18

CIRCUIT BOARD



Promix 1200E/1600E circuit board



Part No.	Price
949/99509	£2.53

BRUSH HOLDER CAPS



Caps for carbon Brush Holders - each



Part No.	Suits	Price
949/99571	1200E	£0.66
949/99542	1600E	£0.42

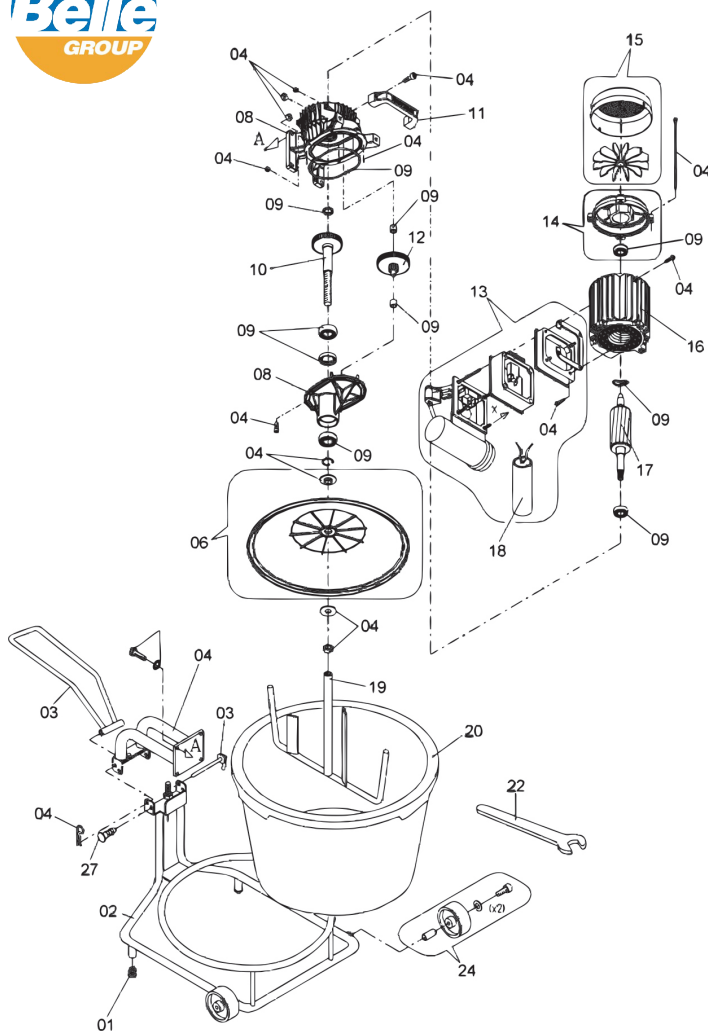
PAINT MIXING PADDLES



For use in power drills with 1/2" capacity chucks

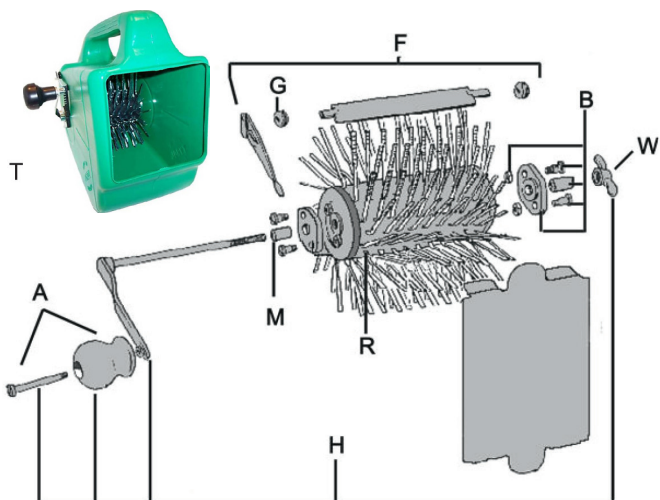
Part No.	Length	Diam	Hex	Price
200 049	420mm	80mm	8mm Hex	£9.38
200 050	520mm	100mm	10mm Hex	£13.57

Belle Tubmix 50 Spares



Part No.	Ref	Description	Price
163.0.082	1	Bung (Pair)	£3.88
163.0.089	2	Main Frame	£222.90
163.0.074	3	Handle Complete	£33.97
163.0.076	4	Fastener Kit	£24.43
163.0.072	5	Tilt Frame	£97.10
163.0.077	6	Protection Shield	£59.96
163.0.090	7	Motor/Gearbox Assy (240v)	£790.00
163.0.091	7	Motor/Gearbox Assy (110v)	£852.00
163.0.080	8	Gearbox Casing	£178.50
163.0.081	9	Bearing & Gasket Kit	£30.45
163.0.079	10	Gear	£117.50
156.0.255	11	Handles	£6.45
163.0.087	12	Gear	£135.00
163.0.092	13	Socket & Switch (240v)	£171.70
163.0.093	13	Socket & Switch (110v)	NLA
163.0.067	14	Fan Shroud	£23.43
163.0.084	15	Cooling Fan & Cover	£10.39
163.0.068	16	Stator (240v)	£199.60
163.0.069	16	Stator (110v)	£202.30
163.0.070	17	Rotor (240v)	£128.20
163.0.083	18	Capacitor (240v)	£11.81
156.0.275	18	Capacitor (110v)	£24.26
163.0.066	19	Mixing Blade	£95.90
163.0.071	20	Mixing Tub	£49.23
163.0.085	21	Cut Out Switch	£96.40
163.0.073	22	Spanner	£8.17
163.0.088	24	Wheel Kit	£27.23
CMS04	25	Plug & Cable (240v)	£49.85
163.0.075	25	Plug & Cable (110v)	£108.90
163.0.086	27	Plunger	£35.35

TYROLEAN GUN SPARES



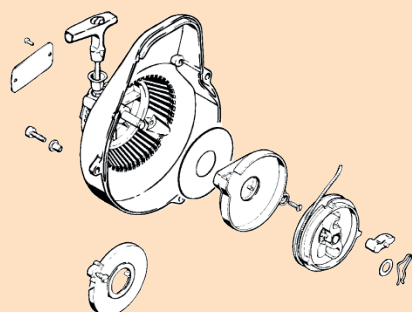
Part No.	Fig.	Description	Price
TG	T	Tyrol Gun Complete	NLA
TG05041	G	Rubber Grommet	NLA
TG05033	M	Metal Bush	NLA
TG05010	R	Roller Assy	NLA
TG05021	W	Wing Nut	NLA
TG05020	H	Handle Bar Assy	NLA
TG05030	B	Bearing Assy	NLA
TG05040	F	Flicker Bar Assy	NLA
410001	A	Knob & Bolt Assy	NLA
TG05055	-	Casing Only	NLA

Stihl TS350 / TS360 Spares

				
Main Filter	Pre Filter	Inner Filter TS350	Inner Filter TS360	Spark Plug
0300 £4.88	0310 £2.50	1801 £2.25	1802 £3.20	BPMR7A £1.75
				
Cyl & Piston 49mm	Piston Assy 49mm	Piston Ring 49mm	Head Gasket	Small End Bearing
1220 £43.35	350 200 £9.50	350 300 £2.80	1108 029 2300 £2.65	9512 003 3140 £6.16
				
Main Bearing	Oil Seal	Crankshaft	Crankcase Gasket	Carb Gasket
9503 003 0341 £11.82	9640 003 1610 £4.97	0402 £35.18	1108 029 0500 £1.58	1108 129 1102 £1.17
				
Carb Gasket	Carb Gasket	Exhaust Gasket	Inner Blade Washer	Outer Blade Washer
1108 129 1110 £1.17	1106 149 1200 £1.55	1108 149 0600 £2.12	4201 708 3004 £16.16	4201 708 3014 £16.65
				
Blade Bolt	Drive Belt	Carb Diaphragm Kit	Fuel Filter	Fuel Hose
4201 708 8402 £2.14	9490 000 7850 £17.67	4201 007 1060 £23.54	0000 350 3500 £4.48	1108 358 7702 £4.73

Stihl TS350 / TS360 Spares

				
Mount TS360	Exhaust Silencer	Clutch	Clutch Spring	Pulley
4201 790 9900 £7.72	4201 140 0607 £38.64	1108 160 2001 NLA	0000 997 5811 £1.38	4201 700 2506 £33.67
				
Clutch Bearing	Blade Nut	Flywheel Nut	Flywheel	Ignition Module
9529 003 4181 £9.73	9211 260 1350 £0.66	9211 260 1340 £0.66	1108 400 1205 £19.64	1108 400 0800 £136.30
				
Recoil Spring	Pawl	Pawl Clip	Starter Grip	Rope Rotor
1117 190 0601 £12.25	1124 195 7200 £1.86	1117 195 3500 £1.18	3400 £1.10	1117 007 1014 £10.09
				
Throttle Cable	Buffer TS360	Cover TS360	Screw TS360	17/19mm Spanner
4201 180 1101 £14.82	4201 792 9301 £2.39	4201 140 2200 £10.60	4201 140 9301 £7.17	902 1360 £1.00



TS350 / TS360 Spares

We stock a full range of parts for TS350/TS360 Disc Cutters.

Please contact us for parts not listed here or for parts diagrams for any Stihl, Husqvarna or Makita machine.

STIHL®

Stihl TS400 Spares - Crank, Cylinder & Piston, Exhaust

1125 149 0601 400 207 (Non-Gen)	£2.47 £0.85		
BPMR7A 9022 371 1020 9022 371 1020	£1.75 £0.79 £0.79		
4223 007 1015	£15.47		
9022 371 1020	£0.79		
Old Type Crankcase 4223 020 2600	£134.10		
New Type Crankcase 4223 020 2601	£133.30		
4223 029 0500	£1.17		
9640 003 1745	£5.63		
400 202 (Non-Gen)	£1.35		
Bearing 9503 003 0450 400 450 (Non-Gen)	£13.79 £6.20		
Crank 4223 030 0400 400 103 (Non-Gen)	£225.80 £32.60		
Bearing 9503 003 0341 400 341 (Non-Gen)	£11.82 £5.50		
9640 003 1570 400 203 (Non-Gen)	£4.97 £1.35		
0000 988 8600 0000 988 5211	£0.95 £1.52		
Gasket Sets (incl. seals) 4223 007 1050 400 130 (Non-Gen)	£14.09 £6.95		
4223 141 6600	£1.36		
4223 141 9000	£2.38		
9022 371 1020 410 632 (N/G 10 pack)	£0.79 £6.60		
4223 140 0601 400 206 (Non-Gen)	£46.70 £19.74		
Decomp Valve 4223 020 9400 400 105 (Non-Gen)	£23.64 £4.80		
Cyld and Bearing Kit 400 400 (Non-Gen)	£80.87		
Cyld and Piston Assy 4223 020 1200 400 106 (Non-Gen)	£165.10 £29.90		
Piston Rings (each) 1127 034 3006 400 107 (Non-Gen)	£8.40 £2.95		
Piston Assy 4223 030 2000 400 109 (Non-Gen)	£95.40 £9.90		
1110 034 1500	£5.58		
9463 650 1000	£0.53		
4223 029 2301 400 200 (Non-Gen)	£2.65 £1.30		
9512 003 2340 400 201 (Non-Gen)	£6.16 £2.75		
Crankcase, Clutch Side 4223 020 2900	£128.70		

Stihl TS400 Spares - Shroud, Recoil Assembly

4223 791 0600 £3.20
400 227 (Non-Gen) £2.44

9075 478 3015 £0.66

4223 182 0800 £3.35
400 229 (Non-Gen) £0.95

1117 182 4500 £1.18
400 230 (Non-Gen) £0.45

9371 470 2640 £0.53
410 620 (Non-Gen) £0.53

4223 182 1000 £3.20
400 228 (Non-Gen) £1.22

4223 084 7100 £2.10
400 226 (Non-Gen) £1.21

4223 182 0900 £4.67
400 232 (Non-Gen) £1.20

4223 182 1500 £2.75
400 236 (Non-Gen) £1.05

4223 182 4700 £1.38
400 233 (Non-Gen) £0.85

4223 967 1500 £3.45

Shroud Assy
4223 080 1605 £48.63
400 224 (Non-Gen) £43.62

9022 371 1020 £0.79
410 632 (Non-Gen) 10pk £6.60

Bare Shroud
4223 080 1604 £37.28

4223 084 7400 £2.33
400 225 (Non-Gen) £1.10

9416 868 6630 £1.20

4223 435 1100 £1.55
400 235 (Non-Gen) £0.95

4223 435 2100 £0.99

4223 435 6000 £2.33
400 237 (Non-Gen) £0.85

9075 478 3015 £0.66

4223 431 8300 £2.15

4223 123 7500 £1.50

Recoil Assembly
4223 190 0401 £67.07
400 551 (Non-Gen) £16.50

Pawl Kit (Non-Gen)
400 120 £1.55

Grip & Rope
1128 190 3400 (3.5mm) £15.05
1122 190 3400 (4.5mm) £20.56
400 218 N/G (4.5mm) £6.88

1118 195 3500 £0.98

4223 190 0600 £8.22
400 217 (Non-Gen) £2.10

Rope w/ Grommet (1 piece)
1128 190 2900 (3.5mm) £2.52
1128 190 2901 (4.5mm) £3.40

0000 958 0923 £0.89

4116 195 7200 £1.80

1110 084 9102 £1.61

4223 190 1001 £6.78
400 216 (Non-Gen) £3.38

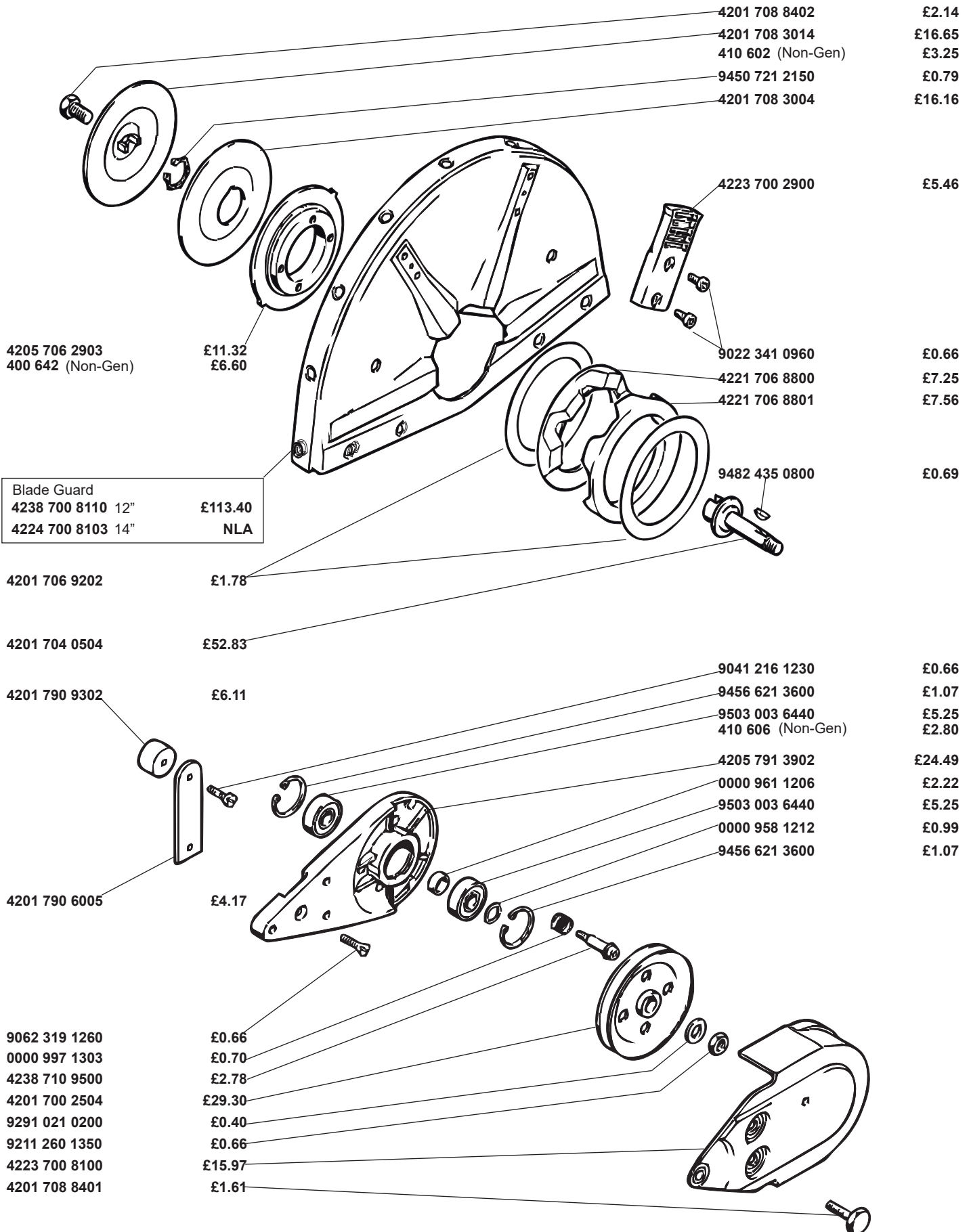
9416 868 6630 £1.20

Roll of Rope (28 pcs)
0000 930 2267 (3.5mm) £70.34
0000 930 2295 (4.5mm) £90.50

(Cover Only)
4223 190 0411 £34.94

9022 371 1020 £0.79
410 632 (Non-Gen) £6.60

Stihl TS400 Spares - Blade Guard



Stihl TS400 Spares - Air Cleaner, Carb

0000 930 2803 (1mtr)	£3.06
4223 121 2400	£1.18
4223 120 3402	£14.90
9220 260 0700	£0.40

Gauze Filter	
4223 140 1800	£6.87
400 117 (Non-Gen)	£3.16

Paper Filter	
4223 141 0300	£13.31
400 118 (Non-Gen)	£4.90
400 210 (N/G Budget)	£2.49

Sponge Filter	
4223 141 0600	£2.56
400 114 (Non-Gen)	£1.35

4223 121 6101	£5.25
---------------	-------

4221 129 0903	£1.86
---------------	-------

Non Genuine Service Kit (4 Filters and Spark Plug)	
400 470	£14.20

Non Genuine Filter Set (Paper, Sponge & Gauze)	
400 500	£7.50

4223 140 9300	NLA
---------------	-----

9416 868 6630	£1.20
4223 140 2800	NLA
9022 371 1020	£0.79
410 632 (N/G 10pk)	£6.60
4223 149 0500	£1.51
4223 141 0500	£19.28

Tillotson HS-279/HS-307 Carb Spares

1110 122 9005	NLA
4221 121 9400	NLA
4221 122 3605	NLA

4221 122 7100	£2.78
4223 121 3500	£5.05
4223 122 3200	NLA

4221 121 8600	£1.74
1110 122 9005	NLA
1110 122 7400	£2.32







4223 120 7200	NLA
1115 121 2900	£3.46
1110 122 7400	£2.32

Carburettors	
Walbro WJ-108	£145.70
4223 120 0653	
Non-Genuine	
400 122	£24.00

Carb Diaphragm Kits	
Walbro Carb	
D10-WJ	£7.08
Tillotson Carb	
DG-7-HS	£7.45

4221 121 3300	£2.59
4223 120 7101	£15.24

Stihl TS400 Spares - Tank Housing

New Type Breather (after s/n 1 44 576 634) 4223 350 5805		0000 930 2803 (1 Mtr)	£3.06
		4223 350 5803	£7.65
		4223 353 9201	£1.29
Fuel Hose 1125 358 7700 0000 350 3500		£5.04	
Earth Wire 400 125		£1.55	
4223 442 1600		£1.40	
4223 435 6005		£2.33	
		Grommet 4223 353 9200	£1.47

Tank Half			
4223 350 0805 (New Type)	£57.90		
4223 351 0510 (Old Type)	£43.50		
9416 868 6531	£1.20	9075 478 4155	£0.79
4223 792 2300	£0.38	1122 141 1805	£0.95
4223 792 9300	£2.07	9771 021 2620	£1.81
4223 359 0701 400 209 (Non-Gen)	£1.76 £1.27	Tank Assy 4223 350 0804	£128.20
9121 319 1120 9386 620 1680	£1.33 £0.55	4223 141 2200	£33.16
4223 792 2300	£0.38	Impulse Hose 4223 141 8600	£2.60
4223 792 9300	£2.07	Cap Assy 0000 350 0527 400 214 (Non-Gen)	£5.67 £3.13
		9645 951 3890	£1.36
		0000 350 0900	£1.07

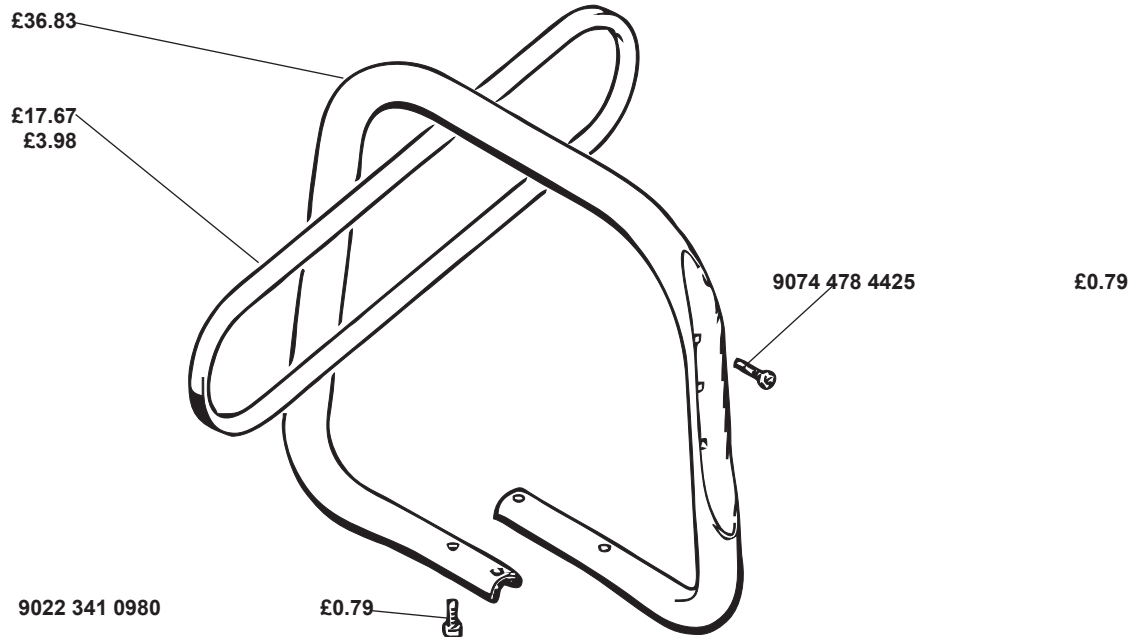
Stihl TS400 Spares - Front Handle, Cast Arm, Clutch

4223 790 1750

£36.83

Drive Belt
9490 000 7851
400 138 (Non-Gen)

£17.67
£3.98



9074 478 4425

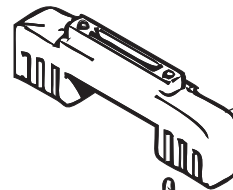
£0.79

9022 341 0980

£0.79

4223 791 1900

£6.25



4223 791 7600

£14.07

9022 341 1050

£0.92

1125 790 9906

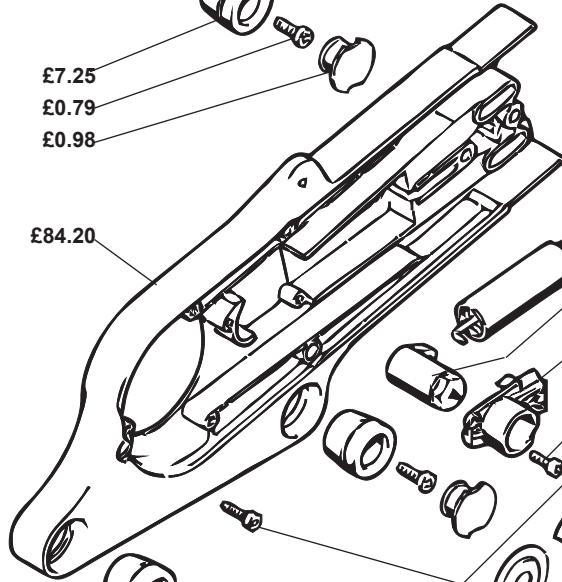
£7.25

9022 341 1280

£0.79

1125 791 7306

£0.98



£84.20

4221 660 0400

£16.11

4221 664 2100

£3.50

400 221 (Non-Gen)

£2.52

4221 664 4200

£3.62

9022 341 0980

£0.79

9022 371 1020

£0.79

410 632 (N/G 10pk)

£6.60

0000 997 5815

£1.43

400 220 (Non-Gen)

£0.83

Clutch Assy	
4238 160 2002	£37.95
400 219 (Non-Gen)	£10.20

1128 162 3000

£1.34

400 116

£4.24

0000 961 1003

£2.39

9456 621 3310

£1.07

1125 790 9906

£7.25

9022 341 1280

£0.79

1125 791 7306

£0.98

4223 162 1000

£1.96

9503 003 6310
400 204 (Non-Gen)

£12.50

£2.75

4223 700 2500

£29.30

0000 958 0824

£1.38

4223 195 0600

£7.48

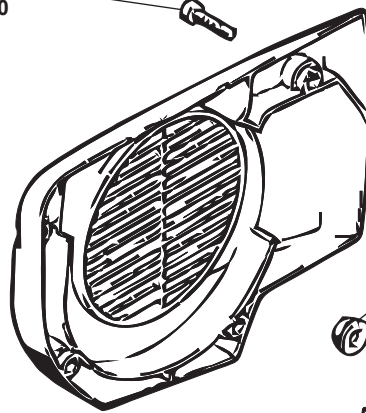
9210 261 1140

£0.53

Stihl TS400 Spares - Ignition System

9022 371 1020
410 632 (N/G 10 Pk)

£0.79
£6.60



4223 080 3100 £33.52
9416 868 6630 £1.20
0000 955 0802 £1.17

Flywheel
4223 400 1201 (New Type) £83.40
4221 400 1200 * (Old Type) £83.40

Flywheel Extractor - TS400



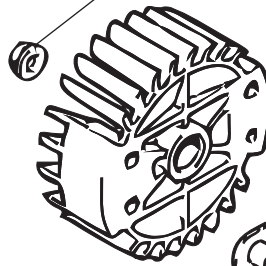
5910 893 0801

£2.90

1119 791 7306
9022 341 1280
1121 790 9912

£0.75
£0.79
£6.60

1125 791 7306 £0.98



1125 790 9906 £7.25

9291 021 0120

£0.40

9022 341 1019

£0.79

0000 448 1201

0000 989 1010

NLA

£1.50

Old Type Module (3 Hole)
4223 400 1300 * £127.40

5mm H.T Lead
124 0176 (1 Mtr) £1.88
124 0177 (10 Mtrs) £15.86

9022 371 1020
410 632 (N/G 10 Pk)

£0.79
£6.60

New Type Module (2 Hole)
4223 400 1303 £122.70
400 223 (N/G) £29.95

0000 989 1002

£2.16

Old Type Lead
4223 440 1100

£4.25

New Type Lead
4223 440 1101
400 641 (Non-Gen)

£1.85
£1.85

4223 084 1600 £2.03
1128 405 1000 £4.88
410 601 (N/G) £1.20

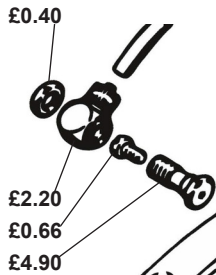
0000 998 0604 £1.18

Wiring Harness
4223 440 3001 £9.71

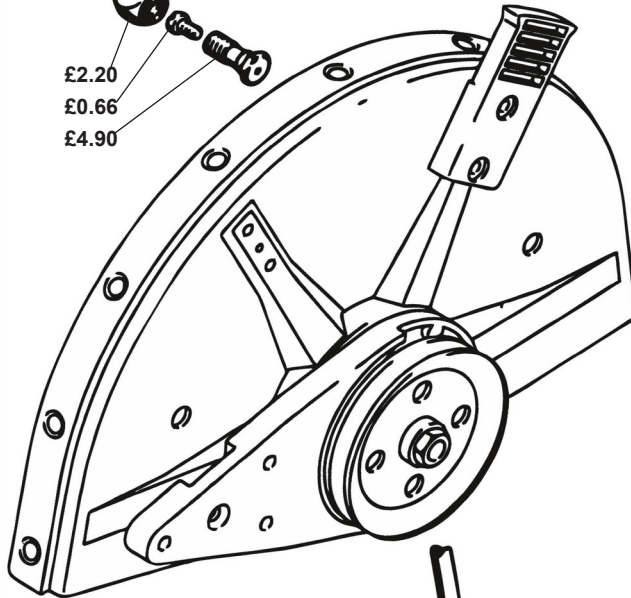
Conversion Kit
4223 007 1015 £15.47

Stihl TS400 Spares - Water Kit

9211 021 8900



4201 677 1008
9041 216 0950
4201 708 8400



Water Kit



4201 007 1038
400 135 (Non-Gen)

NLA
£28.00

4201 708 8400
9041 216 0950
4201 677 1007



Water Pipe (1 Mtr)
0000 937 4049 £5.66

9211 021 8900 £0.40

9022 341 0960 £0.66

4201 700 6802
4201 708 3100
4201 708 8600
4201 700 4500

£6.46
£0.95
£3.22
£10.49

0000 954 1701 £0.99
4201 700 7300 £5.84
400 160 (Non-Gen) £1.55
410 603 (N/G Budget) £0.95
9645 945 7506 £0.48

Hose Connector (1/2")
400 140 £6.25

Torx Spanner - TS400

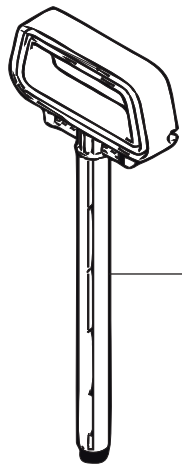


4119 890 3400

£6.49

Stihl Water Container (Old Type)

Water Bottle Complete
(New Type Only)
0000 670 6000 **£96.55**



4223 670 7700 **£15.44**
(c/w o ring)

9645 945 7560 **£0.49**



4223 670 8600 (c/w o ring) **£9.41**

9645 945 8240 **£1.01**



4223 670 8200 (c/w o ring) **£8.06**



9645 945 7958 **£0.77**

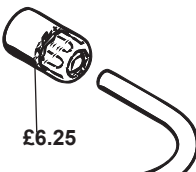
4223 677 8300 **£1.35**

4223 670 5000 **£14.34**



400 140

9645 945 7494 **£0.43**



£6.25

Clear Water Hose (4 Mtrs)
4309 678 1100 **£23.36**

4223 670 6600
(c/w seal) **£17.70**

£17.70



4223 678 2600 **£4.83**

£4.83



4223 678 1600 **£2.41**

4223 677 8300 **£1.35**

ECONOMY DIAMOND BLADES



12" Economy Diamond Blades
Suitable for Cutting Brickwork,
Concrete & Tiles

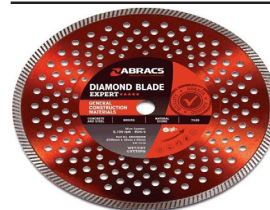
20mm Bore

★ ★ ★ ☆ ☆ ☆



Part No.	Type	Price
333 002	12" / Standard Segment	£23.00
333 020	12" / Turbo (long life)	£36.72

EXPERT DIAMOND BLADE



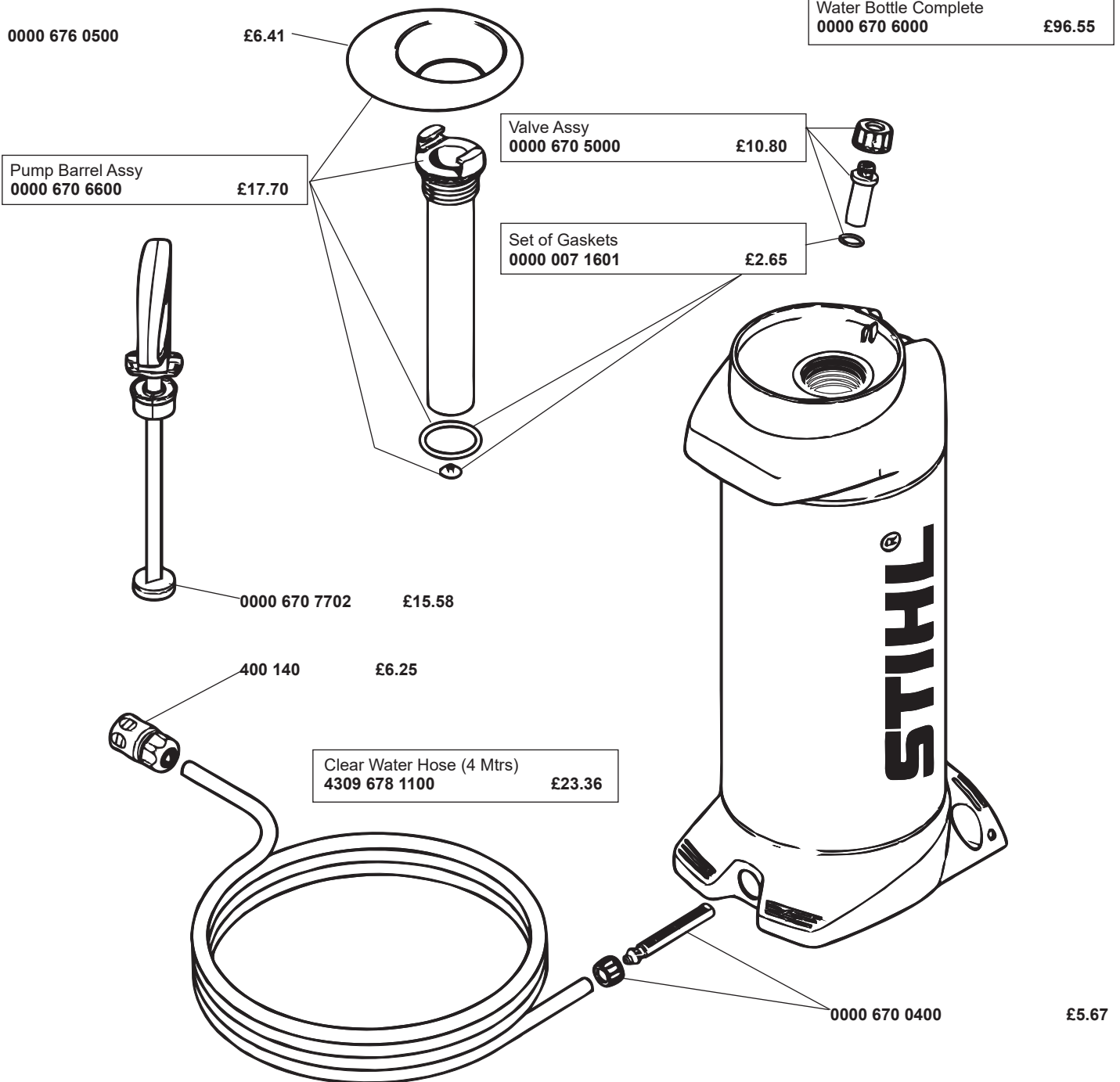
Expert 10mm Continuous Segment
General Construction Materials
Long Life/Fast Cut Blade
Concrete with Steel, Brick, Natural
Stone, Tiles

★ ★ ★ ★ ☆ ☆



Part No.	Size	Bore	Price
333 030	12" / 300mm	20mm	£75.58

Stihl Water Container (New Type)



VARI-CUT S65 DIAMOND BLADE

TACTI-CUT S50+ BLADE



Husqvarna Vari-Cut S65 Diamond Blade

For cutting **asphalt & abrasive** building materials



Husqvarna Tacti-Cut S50+ Diamond Blade

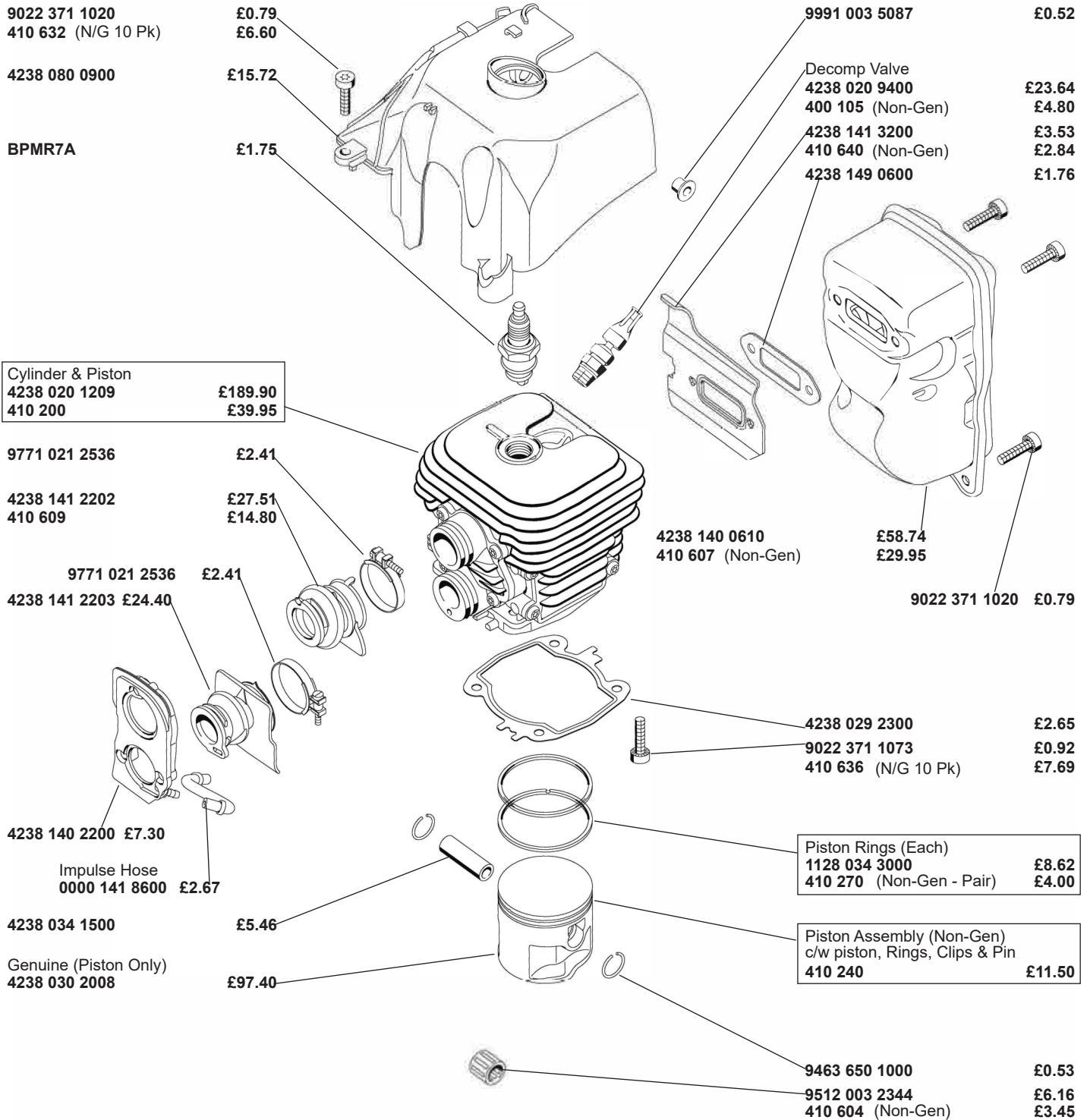
For cutting **concrete & abrasive** building materials



Part No.	Size	Bore	Price
587 90 44 01	12" / 300 mm	20mm	£90.90
587 90 45 01	14" / 350 mm	25.4mm	£113.90

Part No.	Size	Bore	Price
579 81 56 11	12" / 300mm	20mm	£37.60
579 81 56 20	14" / 350mm	25.4mm	£62.37

Stihl TS410 Spares - Cylinder & Piston, Exhaust



Gasket Sets (c/w Seals)

4238 007 1003 £15.73
410 130 (Non-Gen) £8.80

Torx Spanners

4224 890 3400 £6.99
410 250 (Non-Gen) £1.95

Tachometer/Rev Counter

350 111 £51.39

Stihl TS410 Spares - Crankcase

TS410 Short Motor Crankcase, Crank, Cylinder & Piston - assembled	
410 290	£340.00

9640 003 1570	£4.97										
9022 371 1020	£0.79										
410 632 (N/G 10 Pk)	£6.60										
0000 988 8600	£0.95										
4238 029 0500	£1.35										
4238 020 2613	£132.40										
<table border="1"> <tr> <td colspan="2">(New Type)</td> </tr> <tr> <td>9503 003 0359</td> <td>35mm O/D £11.82</td> </tr> <tr> <td colspan="2">(Old Type)</td> </tr> <tr> <td>9503 003 0360</td> <td>36.3mm O/D £12.33</td> </tr> <tr> <td>410 605 (N/G)</td> <td>36.3mm O/D £10.08</td> </tr> </table>		(New Type)		9503 003 0359	35mm O/D £11.82	(Old Type)		9503 003 0360	36.3mm O/D £12.33	410 605 (N/G)	36.3mm O/D £10.08
(New Type)											
9503 003 0359	35mm O/D £11.82										
(Old Type)											
9503 003 0360	36.3mm O/D £12.33										
410 605 (N/G)	36.3mm O/D £10.08										
9503 003 0360 (36.3mm O/D)	£12.33										
4238 020 2909	£142.10										
0000 953 6606	£2.70										
9074 478 4425 410 635 (N/G 10 Pk)	£0.79 £6.61										
9630 951 1696	£9.93										
Hose Assy 4238 141 5400	£10.94										
4238 141 1800	£0.95										

Crank Assy	
4238 030 0400	£227.50
410 220 (Non-Gen)	£37.00

Torx Drivers	
5910 890 2400 (150mm)	£3.10
5910 890 2415 (200mm)	£3.76

4224 664 2100	£4.08
410 613 (Non-Gen)	£2.11
4224 664 4200	£3.46
9075 478 4159	£0.79
Belt Tensioner 4238 660 0400	£16.26

Stihl TS410 Spares - Recoil Starter, Ignition System

Pawl Kit (Non Gen)
400 120 £1.55

1118 195 3500 £0.98
0000 958 0923 £0.89
0000 195 7200 £1.86

New Type Rotor
4238 190 1001

£6.88

1110 084 9102 £1.61

9104 003 0410

£0.54

New Type Spring
4224 190 0600 £7.63
410 611 (Non-Gen) £2.95

4238 195 9000

£0.99

Cover
4238 190 0404 (New) £43.58
4238 190 0401 (Old) NLA

Old Type

Old Type Rotor
4223 190 1001 £6.78
400 216 (N/G) £3.38

Old Type Spring
4282 190 0600 £7.33

410 610 (N/G) £2.95

410 632 (N/G 10 Pk) £6.60
9022 371 1020 £0.79

0000 963 0809 £1.12
0000 955 0802 £1.17
4238 400 1202 £44.00

£18.93

4238 431 2100 £1.40

9022 341 1019 £0.79

Flywheel Puller
5910 890 4504 £10.63

Flywheel Setting Gauge
1127 890 6400 £2.66

Recoil Grip (Later Models)
0000 190 3500 (c/w Rope) £13.70
3400 (Non-Gen) £1.10

Elastostart Grip & Rope
0000 190 3414 (4.5mm) £20.10

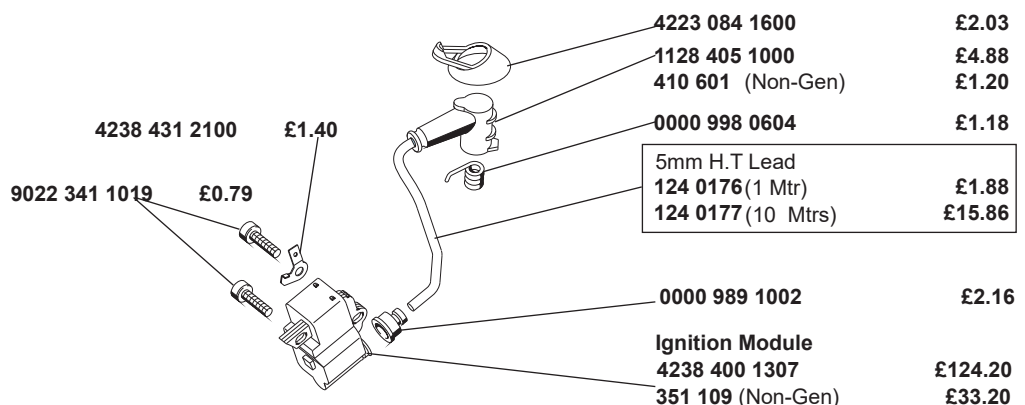
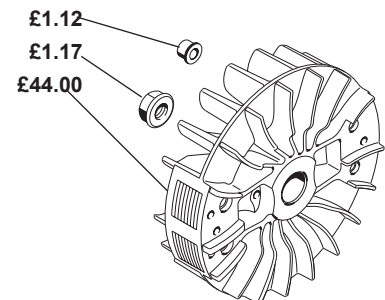
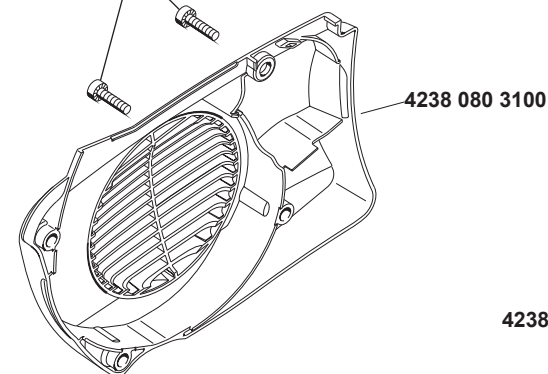
Starter Rope (4mm)
0000 930 2297 (30m) £103.40
90202 (100m Oregon) £35.50

Rope w/ Grommet (4.5mm)
1128 190 2901 (1 pcs) £3.40
0000 930 2295 (28 pcs) £90.50

9220 260 1100 £0.66
410 638 (N/G 10 Pk) £5.53

Model Plate
4238 967 1500 (TS410) £3.45
4238 967 1501 (TS420) £3.45

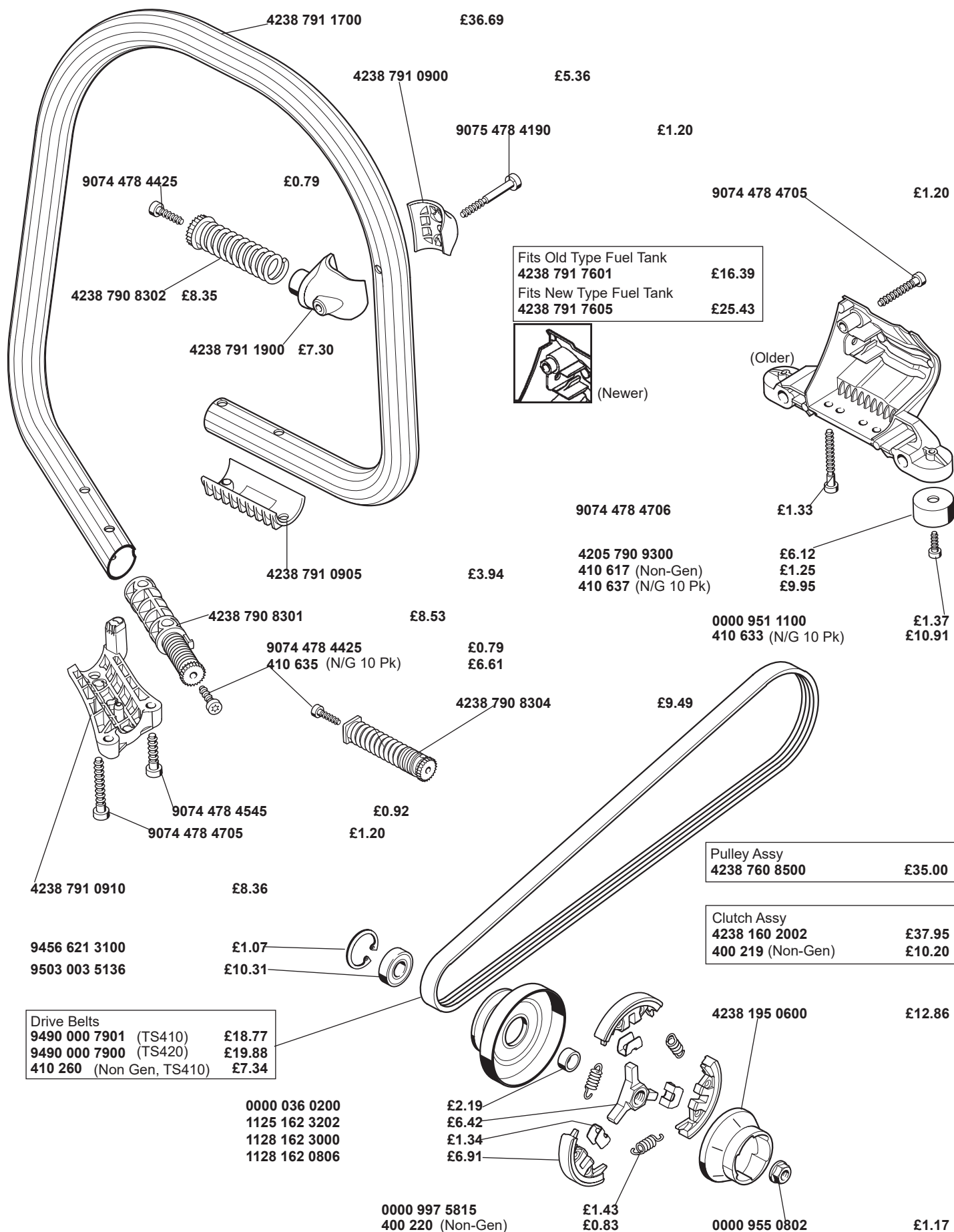
Recoil Assembly
4238 190 0302 £69.90
410 217 (Non-Gen) £17.90



4223 084 1600 £2.03
1128 405 1000 £4.88
410 601 (Non-Gen) £1.20
0000 998 0604 £1.18
5mm H.T Lead
124 0176 (1 Mtr) £1.88
124 0177 (10 Mtrs) £15.86

0000 989 1002 £2.16
Ignition Module
4238 400 1307 £124.20
351 109 (Non-Gen) £33.20

Stihl TS410 Spares - Front Handle, Clutch



Stihl TS410 Spares - Shroud, Air Cleaner

9074 477 4130

£0.79

Cap & Screw
4238 080 2200
410 631 (Non-Gen)

£7.16
£3.65

4238 182 4700
410 627 (Non-Gen)

£1.18
£1.03

4238 182 0800
410 622 (Non-Gen)

£3.35
£1.14

4238 182 4500
410 621 (Non-Gen)

£1.18
£0.75

Throttle Trigger
4238 182 1000
410 619 (Non-Gen)

£5.54
£1.16

9371 470 2640
410 620 (Non-Gen)

£0.53
£0.53

9074 478 4425
410 635 (N/G 10 Pk)

£0.79
£6.61

0000 967 3799

£1.78

0000 967 4000

£1.78

0000 963 0809

£1.12

9022 371 1020
410 632 (N/G 10 Pk)

£0.79
£6.60

New Type Pin Screw
0000 951 1109
410 634 (N/G 10 Pk)

£1.38
£11.48

Service Kit
(Genuine Filters & Spark Plug)



410 300

£22.95

4238 791 0600 £5.10
410 623 (Non-Gen) £3.00

9022 319 0981 £0.79

4238 084 7400 £2.60
410 625 (Non-Gen) £1.98

Switch Shaft
4238 182 0900 £4.96
410 626 (Non-Gen) £1.55

4238 182 1500 £1.87
410 630 (Non-Gen) £1.10

9074 477 4130 £0.79

4238 435 6001 £2.15
410 628 (Non-Gen) £0.92

Micro Switch
4238 430 0501 £8.41
410 616 (Non-Gen) £6.50

Bare Shroud
4238 080 1608 £29.66

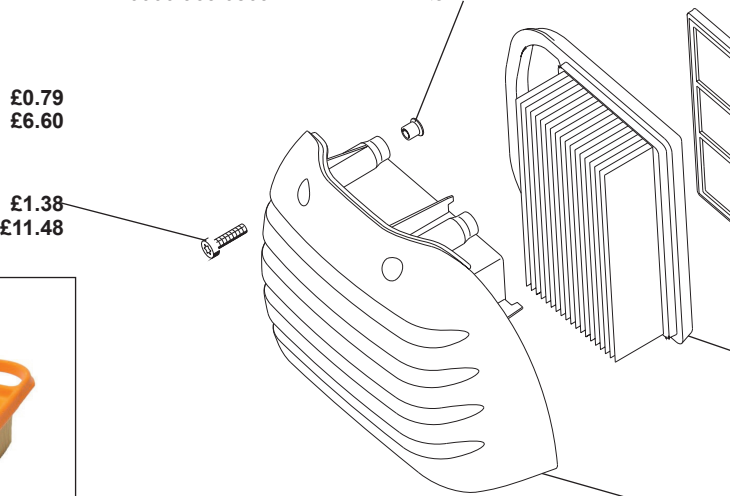
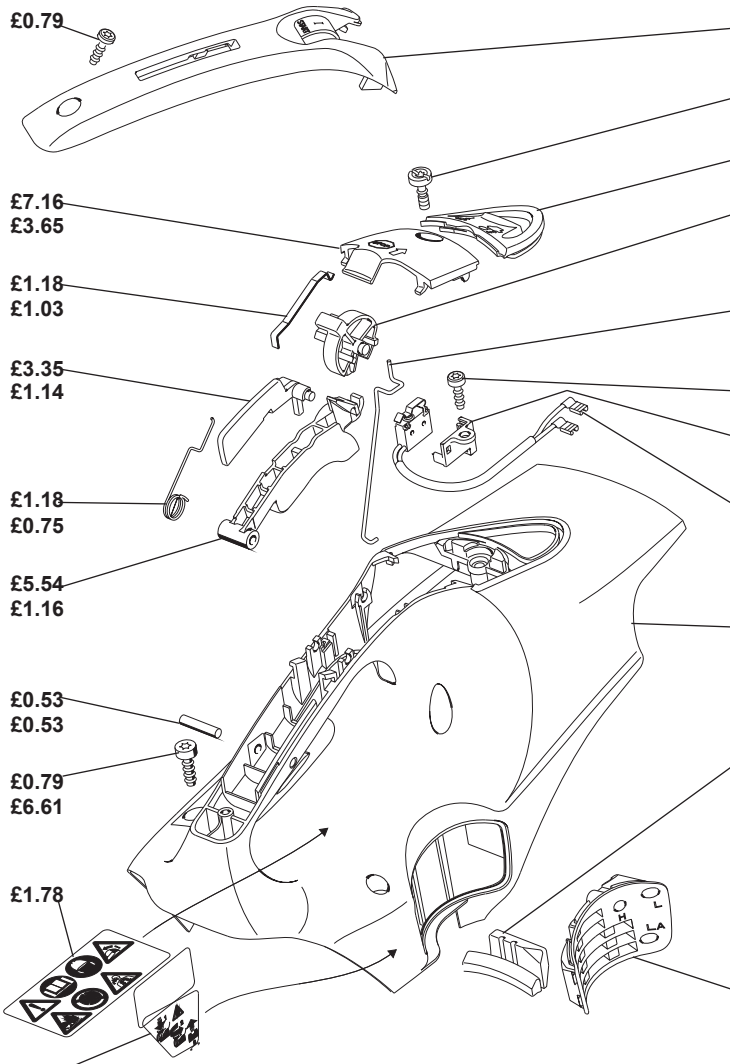
4238 087 8300 £2.22
410 629 (Non-Gen) £1.31

Shroud Assy
4238 080 1609 £52.50
410 618 (Non-Gen) £36.50

4238 123 7500 £2.67

Air Filter Set
4238 140 4403 £16.95
410 100 (Non-Gen) £6.95
410 600 (N/G Budget) £3.95

4238 140 1000 £27.12



B - Stihl Disc Cutter Spares

Stihl TS410 Spares - Fuel Tank, Carburettor

Primer Pump
4238 350 6201
410 608 (Non-Gen)

£9.08
£3.25

Fuel Hose (1 Metre)
0000 930 2803

£3.06

4238 353 2701
4238 353 9200
4238 358 7700

£2.56
£1.50
£4.28

9074 478 4425 (Ea)
410 635 (N/G 10 Pk)

£0.79
£6.61

0000 350 3502 £4.48

4238 129 0900

9074 477 4130

£0.79

4238 790 8300 £7.41

Choke Lever
4238 121 6100 £1.42

4238 185 1500

4238 121 2400

4238 352 8201

4238 141 6300

£7.16

£1.22

£1.18

£1.39

0000 930 2803 (1 Metre) £3.06

9074 478 4425

£0.79

9443 825 7131

£1.33

9022 341 1220

£1.21

4223 353 9201

£1.29

4223 350 5803

£7.65

4238 354 0100

£4.30

9645 948 2470

Cap Assy

0000 350 0514

£9.41

£0.61

0000 350 0905

£1.71

Tank Housing Assy

4238 350 0854

£68.00

Stihl TS410 Spares - Blade Guard, Water Kit

4201 708 8402 £2.14

4201 708 3014 £16.65

410 602 (Non-Gen) £3.25

9450 721 2150 £0.79

4201 708 3004 £16.16

4205 706 2903 £11.32

400 642 (N/G) £6.60

4201 706 9202 £1.78

4224 706 8801 £4.00

9022 341 1070 £0.94

Adjusting Lever

4238 700 2900 (TS410) £8.79

4224 700 2901 (TS420) £9.74

9041 216 0630 £0.68

Banjo Bolt (Short)

0000 670 0207 £6.37

410 643 (Non-Gen) £3.95

9646 945 0340 £0.39

0000 679 2000 £1.01

410 639 (N/G TS410 Only) £6.80

4224 708 8300 £1.41

4238 706 0400 £2.67

4224 706 8802 £5.14

4201 706 9202 £1.78

9646 945 0340 £0.39

4238 677 8202 £1.38

9771 021 0921 £1.33

9041 216 0630 £0.68

Banjo Bolt (Long)

0000 670 0206 £6.21

410 642 (Non-Gen) £3.92

Water Pipe 1 Mtr

0000 937 4049 £5.66

4238 708 8200 £7.59

400 140 £6.25

9771 021 0921 £1.33

4238 677 8200 £1.39

4201 700 4500 £10.49

0000 954 1701 £0.99

4201 700 7300 £5.84

410 603 (Non-Gen) £0.95

9645 945 7506 £0.48

9074 478 4425 £0.79

410 635 (N/G 10 Pk) £6.61

Blade Guard

4238 700 8102 (12") £105.00

4224 700 8102 (14") £120.50

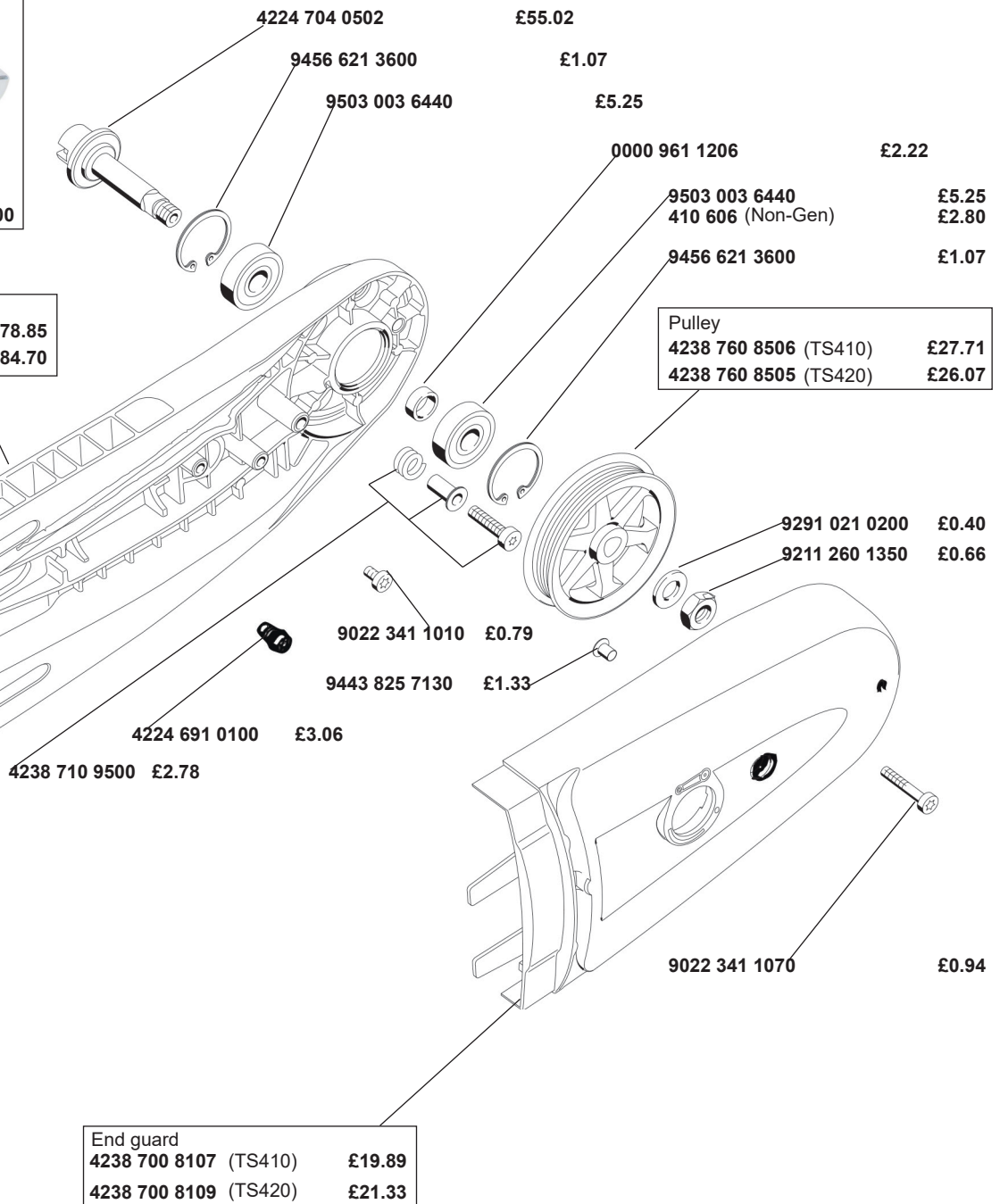
Pipe Kit (Non-Genuine)

410 002 £24.50

Stihl TS410 Spares - Cast Arm



Cast Arm		
4238 701 0203 (TS410)		£78.85
4238 701 0202 (TS420)		£84.70



Stihl 2-Stroke Engine Oil

Top selling 2-stroke engine oil. Specially developed for STIHL engines.
Excellent lubrication and combustion properties.

Part No.	Size	Price
0781 319 8401	1 x 100ml single shot	£1.45
350 400	10 x 100ml single shots	£13.00
350 410	1 litre with measure	£10.25
350 420	5 litre	£27.68



Stihl TS700 Spares

				
Air Filter	Filter Cover	Spark Plug	Cylinder & Piston	Piston Assy
4224 141 0300 £16.10	4224 140 1000 £22.74	BPMR7A £1.75	950 202 £112.20	950 203 £22.16
	 Decompression Valve for Stihl TS700/800			
Head Gasket (after 2007)	4223 020 9400 £23.64 (Genuine)	Small End Bearing	Gasket Set	Recoil Assembly
4224 029 2302 £2.65	400 105 (Non-Gen) £4.80	9512 003 3283 £6.74	4224 007 1012 £19.99	4224 190 0306 £108.20
				
Rewind Spring	Support	Rubber Foot	Nose Guard (Post 2010)	Clutch Pulley
4224 190 0600 £7.63	4224 790 7600 £24.72	4205 790 9300 £6.12	4224 700 8113 £27.43	4224 760 8500 £61.07
				
Belt Pulley	Drive Belt	Blade Washer	Blade Washer	Tank Cap
4224 760 8503 £29.00	9490 000 7920 £30.92	4205 708 3000 £17.64	4205 708 3010 £17.80	0000 350 0514 £9.41
				
Fuel Hose	Pickup Filter	Ignition Module (after 2006)	Switch Assy (after 2007)	Switch Shaft
1124 358 7700 £4.58	0000 350 3504 £4.48	4224 400 1302 £142.00	4224 430 0503 £10.73	4224 182 0900 £4.96

Stihl TS410



TS410 Cut-off Saw

Stihl's flagship disc cutter. Compact & lightweight with 12" (300mm) cutting wheel.

Features:

- long life air filtration system
- extremely low vibration levels
- dust suppression
- 3.2kW 2-stroke engine
- weighs only 9.4kg (without blade)

Part No.	Net Price
4238 011 2800	£585.00

Genuine Stihl Water Bottle

Capacity: 10 Litres

Suits the following Stihl Machines:

TS 350, BT 45, TS 400,
TS 350 AVE, TS 360, TS 410,
TS 420, TS 700, TS 800,
TS 510, TS 760, TS 460

Part No.	Price
0000 670 6000	£96.55



Taskman Water Bottle

Complete with Hose & Connector
Capacity: 10 Litres

Suits the following Stihl Machines:

TS 350, BT 45, TS 400,
TS 350 AVE, TS 360, TS 410,
TS 420, TS 700, TS 800,
TS 510, TS 760, TS 460

Part No.	Price
APDSB10	£91.90

Makita Water Bottle

15 Litre Water Bottle Assembly
Suitable for all makes of Disc Cutter
Complete with 3m of Hose and Connector

Suits the following Stihl Machines:

TS 350, BT 45, TS 400,
TS 350 AVE, TS 360, TS 410,
TS 420, TS 700, TS 800,
TS 510, TS 760, TS 460

Part No.	Price
P-54047	£67.84



Pressurised Water Bottle

Complete with Hose & Connector
Capacity: 16 Litres
Max Pressure: 200 Psi
Hose Diameter: 10mm
Weight 2.5kg

Suits the following Stihl Machines:

TS 350, BT 45, TS 400,
TS 350 AVE, TS 360, TS 410,
TS 420, TS 700, TS 800,
TS 510, TS 760, TS 460

Part No.	Price
410 219	£31.50

Tools & Accessories

Carb Adjusting Tools (10pc)	Carb Tool - Pacman	Carb Tool - 1 Flat Side	Carb Tool - 2 Flat Sides	Carb Tool - Husqvarna
996 951 £22.95	350 185 £6.85	351 014 £5.50	351 013 £4.50	530 03 55 60 £5.50
Carb Cleaner 400ml	Spark Tester	Stihl Rev Counter	2 Stroke Fuel Test Kit	Water Finding Paste 90g
FX081375 £3.10	015 800 £5.54	350 111 £51.39	350 162 £27.50	804 160 £13.52
Recoil Bush Fitting Tool	Flywheel Puller TS350	Flywheel Puller TS400	Piston Ring Clamp	Piston Stop
0000 890 2201 £8.82	1107 890 4500 £28.20	5910 893 0801 £2.90	0000 893 2600 £0.91	350 103 £2.42
3 Leg Puller 4"	Circlip Plier Set	17x19mm Spanner (TS350, TS400)	13x19mm Spanner (TS410, Husq, Makita)	Torx Spanner (TS400)
902 2035 £39.17	902 2301 £7.77	902 1360 £1.00	902 1361 £1.10	4119 890 3400 £6.49
Torx Spanner (TS410)	Torx Spanner (Husqvarna)	150mm Torx Spanner	T-Handled Wrench 8mm x 185mm	T-Handled Wrench 10mm x 230mm
410 250 £1.95	750 220 £2.10	5910 890 2400 £3.10	902 0321 £5.69	902 0322 £9.32

Partner/Husqvarna K650 Active Spares

				
K650 Active Paper Filter	K650 Active Sponge Filter	K650 Active Service Kit	Pickup Filter	Plastic Recoil Handle Grip
650 050 £4.40	650 039 £3.10	650 750 £15.13	598 83 66 01 £5.58	3400 £1.10
				
Main Bearing	Spark Plug	Green Module	Plug Cap	H.T Lead 1 Mtr
650 020 £4.95	BPMR7A £1.75	587 32 94 01 £81.68	501 48 54 02 £6.68	124 0176 £1.88
				
Cylinder & Piston 50mm	Piston Assy 50mm	Piston Ring 50mm	Small End Bearing	Head Gasket
650 012 £56.00	350 008 £9.35	650 016 £4.14	9512 003 3140 £6.16	650 014 £1.36
				
Decomp Valve	Carb Repair Kit	Carb Gasket	Carb Insulator	Carb Gasket
650 037 £5.60	RK-31-HS £13.36	506 32 02 01 £3.07	505 27 90 60 £10.80	506 32 03 01 £3.07
				
Exhaust Gasket	Tillotson Carb (Yellow)	Drive Belt Active I & II	Drive Belt Active III	Belt Pulley c/w Bearing
650 009 £1.11	650 046 £111.40	650 032 £5.42	506 37 27 27 £11.82	506 35 81 01 £48.43

Partner/Husqvarna K650 Active Spares

				
Pulley Bearing	Bearing Housing Assy	Clutch Spring	Belt Pulley Active III	Blade Shaft
505 30 24 15 NLA	581 35 17 10 £64.15	506 09 82 01 £4.38	506 34 78 01 £31.27	506 29 83 64 £33.02
				
Blade Shaft Bearing	Blade Washer	Bolt & Washer Kit	Blade Bush 20mm	Blade Bush 22mm
503 25 21 01 £17.28	506 02 87 01 £23.72	581 85 52 01 £12.58	650 033 £7.20	650 034 £11.48
				
Blade Bolt (pulley side)	Belt Guard	Decomp Valve K650/K750	Tank Cap	Plug Spanner 13/19mm
503 20 00 45 £2.87	506 27 94 01 £28.75	503 71 53 01 £12.73	506 25 59 03 £8.10	902 1361 £1.10
				
Pawl K650/K760	Rope Pulley	Oil Seal Crankcase Side	Handle Grip	Recoil Assy
501 67 32 03 £5.80	751 200 £9.50	650 030 £3.02	3400 £1.10	506 25 95 01 £67.43

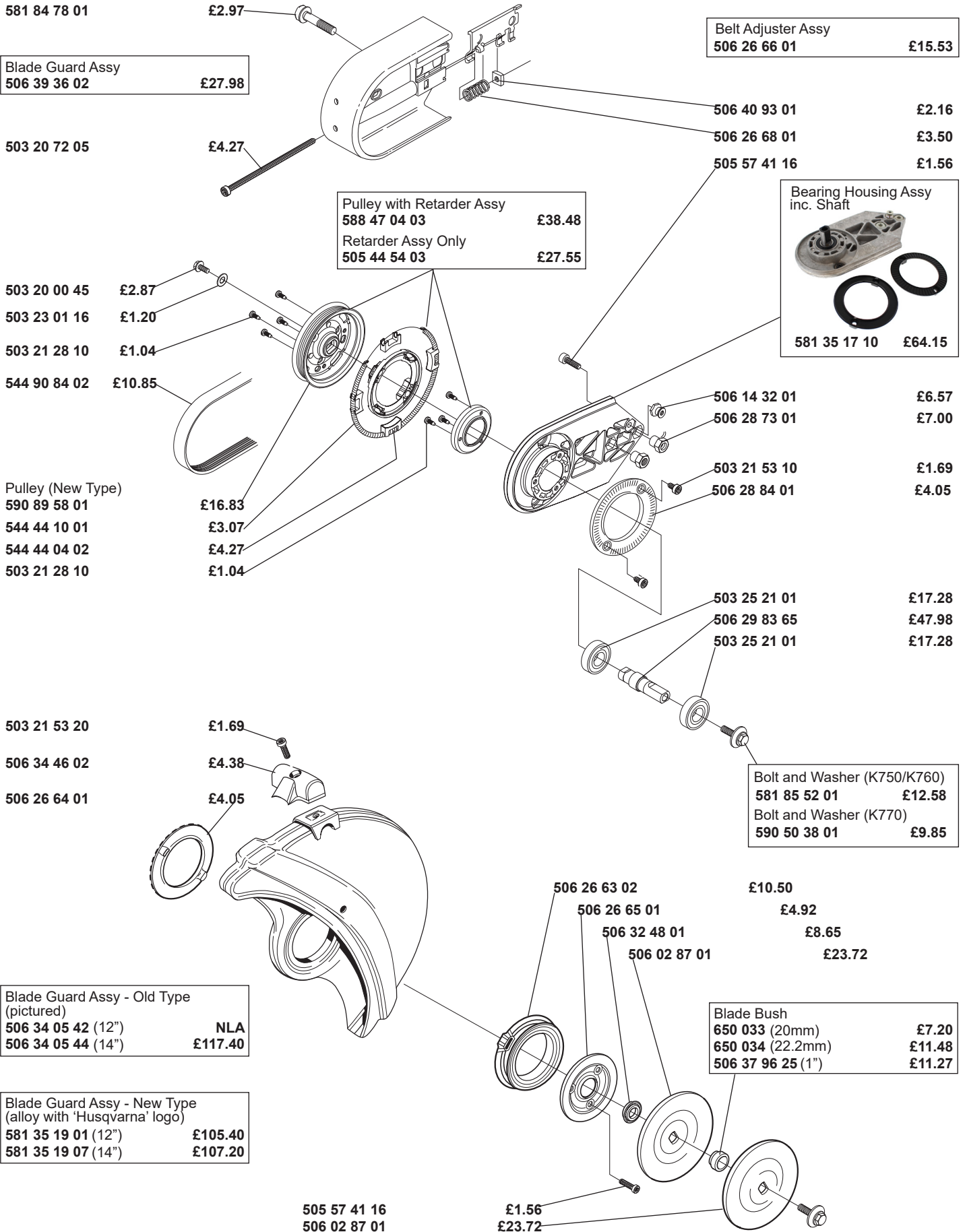


Partner K650 Mk II, Super & Active Spares

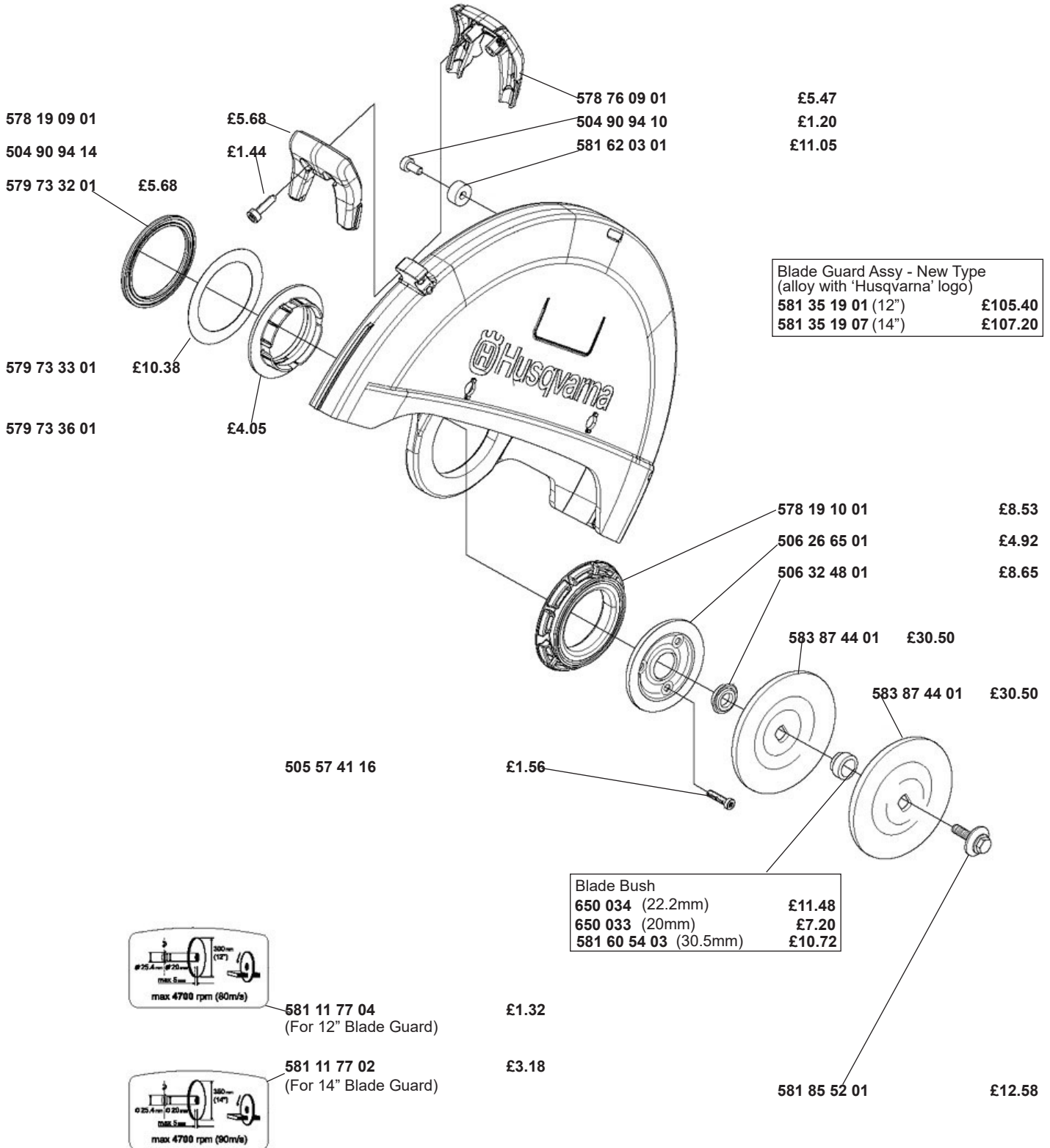
Please contact us for parts not listed here or for parts diagrams for any Stihl, Husqvarna or Makita Disc Cutter.

PARTNER

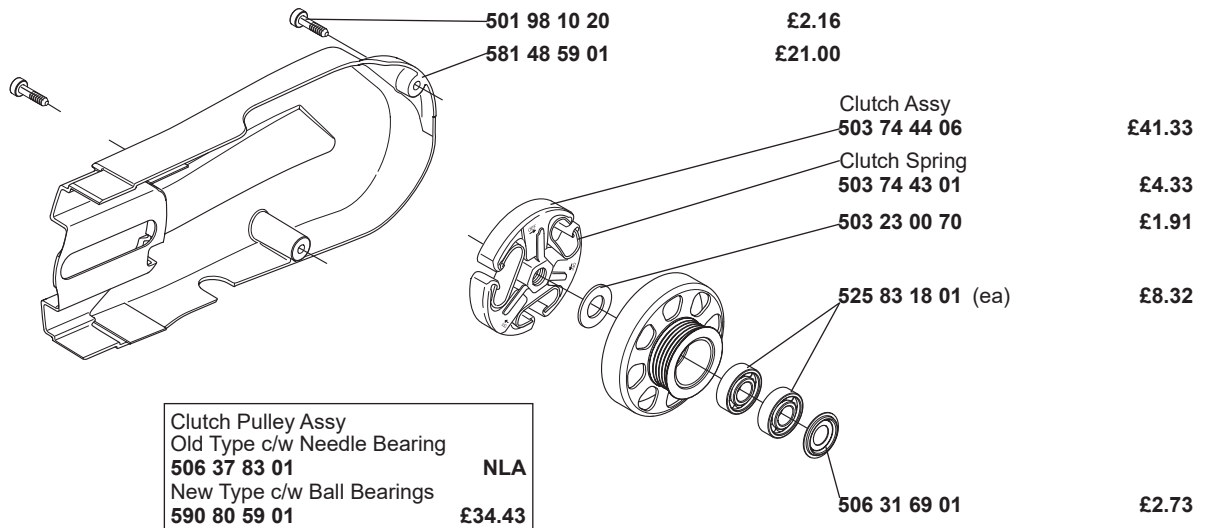
Partner/Husqvarna K750 / K760 Belt Guard & Blade Guard



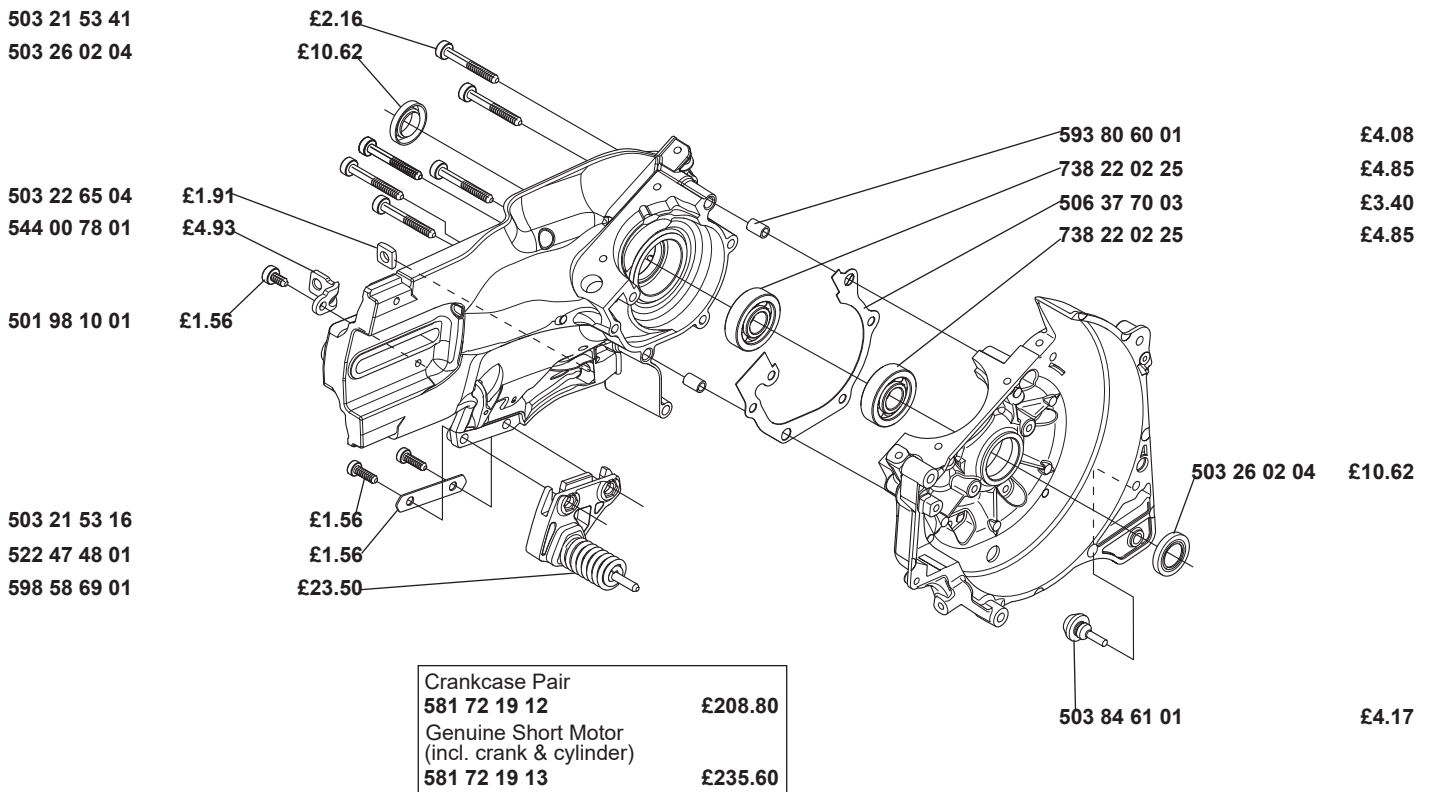
Partner/Husqvarna K760 Blade Guard (New Type)



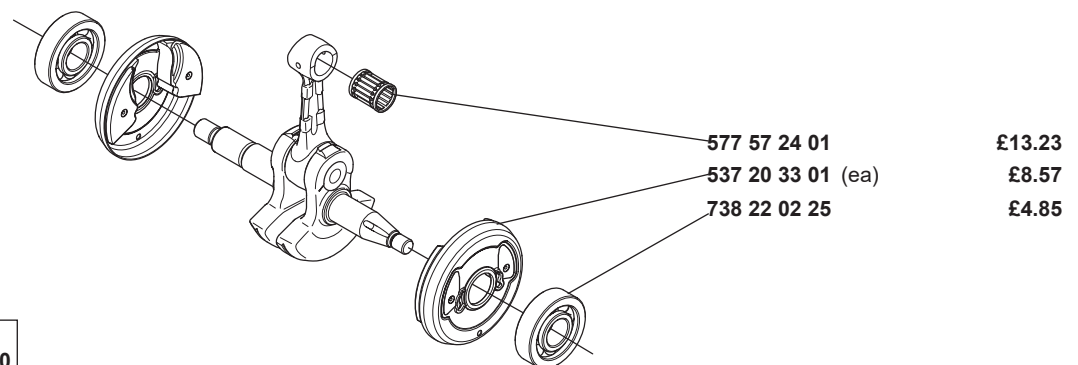
Partner/Husqvarna K750 / K760 Clutch & Crankcase



Clutch Pulley Assy
Old Type c/w Needle Bearing
506 37 83 01 NLA
New Type c/w Ball Bearings
590 80 59 01 £34.43

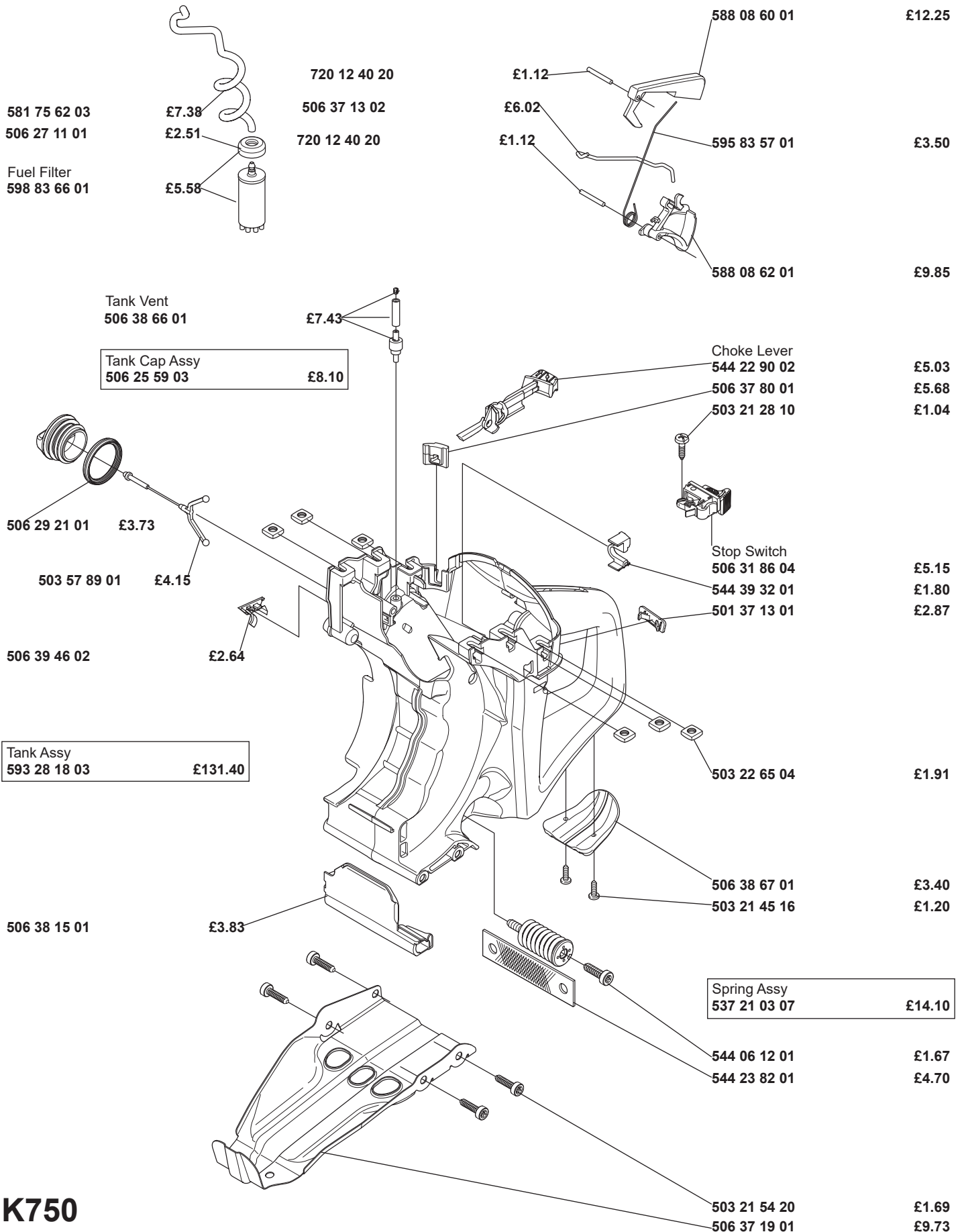


Crankcase Pair
581 72 19 12 £208.80
Genuine Short Motor
(incl. crank & cylinder)
581 72 19 13 £235.60

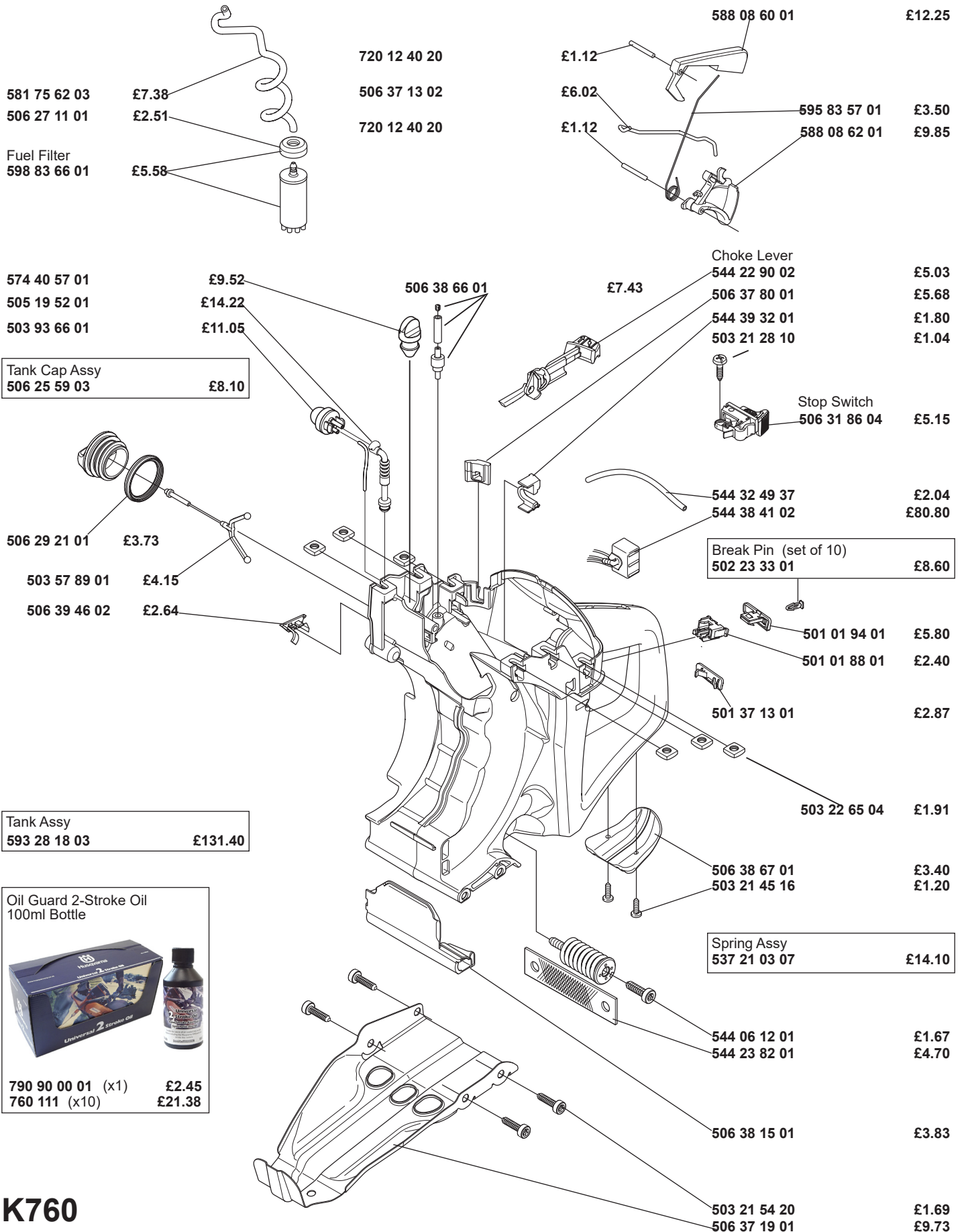


Crankshaft Assy
596 42 37 01 £168.20

Partner/Husqvarna K750 Tank Assembly

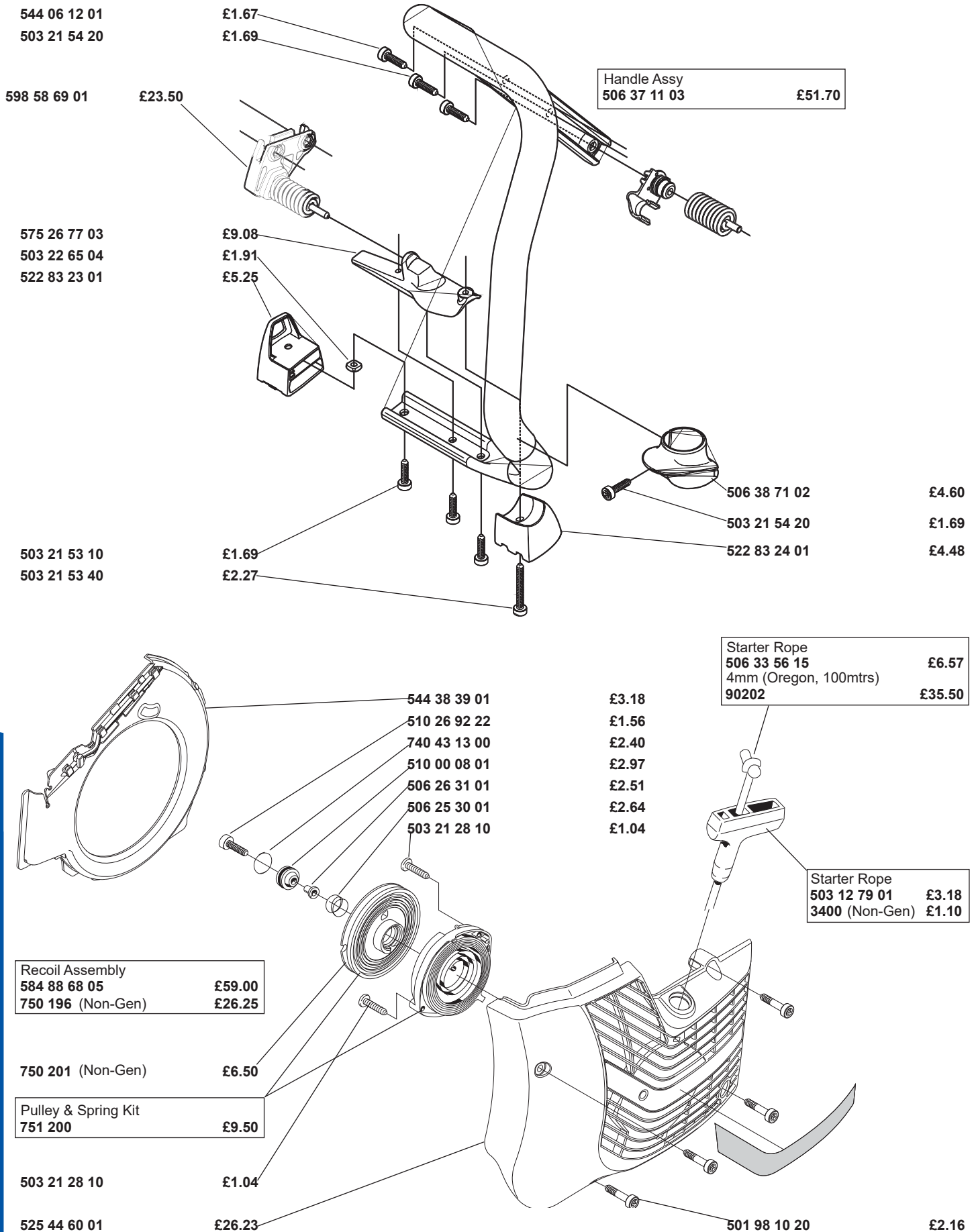


Husqvarna K760 Tank Assembly



K760

Partner/Husqvarna K750 / K760 Front Handle, Recoil Starter



Partner/Husqvarna K750 / K760 Cylinder & Piston

Cylinder & Piston Assemblies
 New Type Ports (fits all K750/K760)
581 47 61 03 **£144.00**
 Old Type Ports (fits K750 & early K760)
750 200 (Non-Gen) **£39.00**
 New Type Ports (fits later K760)
760 215 (Non-Gen) **£65.00**

544 06 12 01 £1.67
 505 42 45 01 £13.78
 503 55 22 01 £6.15

Decomp Valve
 503 71 53 01 £12.73
 650 037 (Non-Gen) £5.60

506 41 23 01 £5.30
 588 91 51 01 £5.58
 506 37 69 02 £5.03

Muffler
 587 66 87 02 £42.20

503 21 53 40 £2.27
 503 21 53 56 £2.40

503 21 53 25 £1.69

503 23 04 02 £3.18

503 21 53 25 £1.69
 503 21 53 16 £1.56

506 36 88 01 £2.16

Head Gasket
 506 37 67 01 £3.30
 750 190 (Non-Gen) £3.50

Piston Ring (each)
 503 28 90 47 £9.44
 750 251 (Non-Gen) £2.95

737 43 12 00 £1.85

577 57 24 01 £13.23

Piston Assy
 Incl. Piston, Rings, Pin & Clips
 506 37 24 03 £52.03
 750 241 (Non-Gen) £9.50

Gasket Sets
 581 35 74 02 £15.50
 750 195 (Non-Gen) £8.84

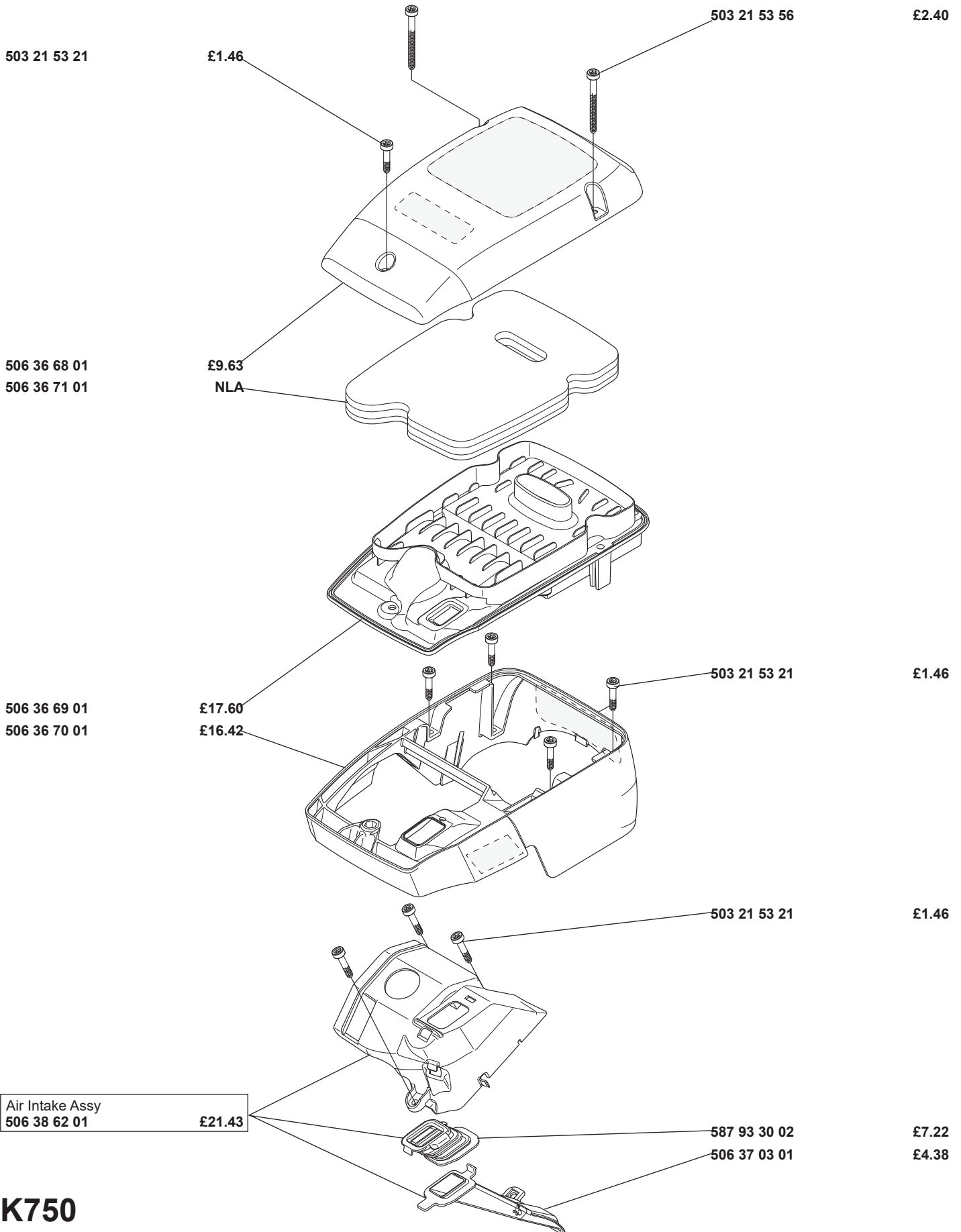
Torx Spanners

506 38 26 01 (Tapered) £3.50
 750 220 (Non-Gen) £2.10

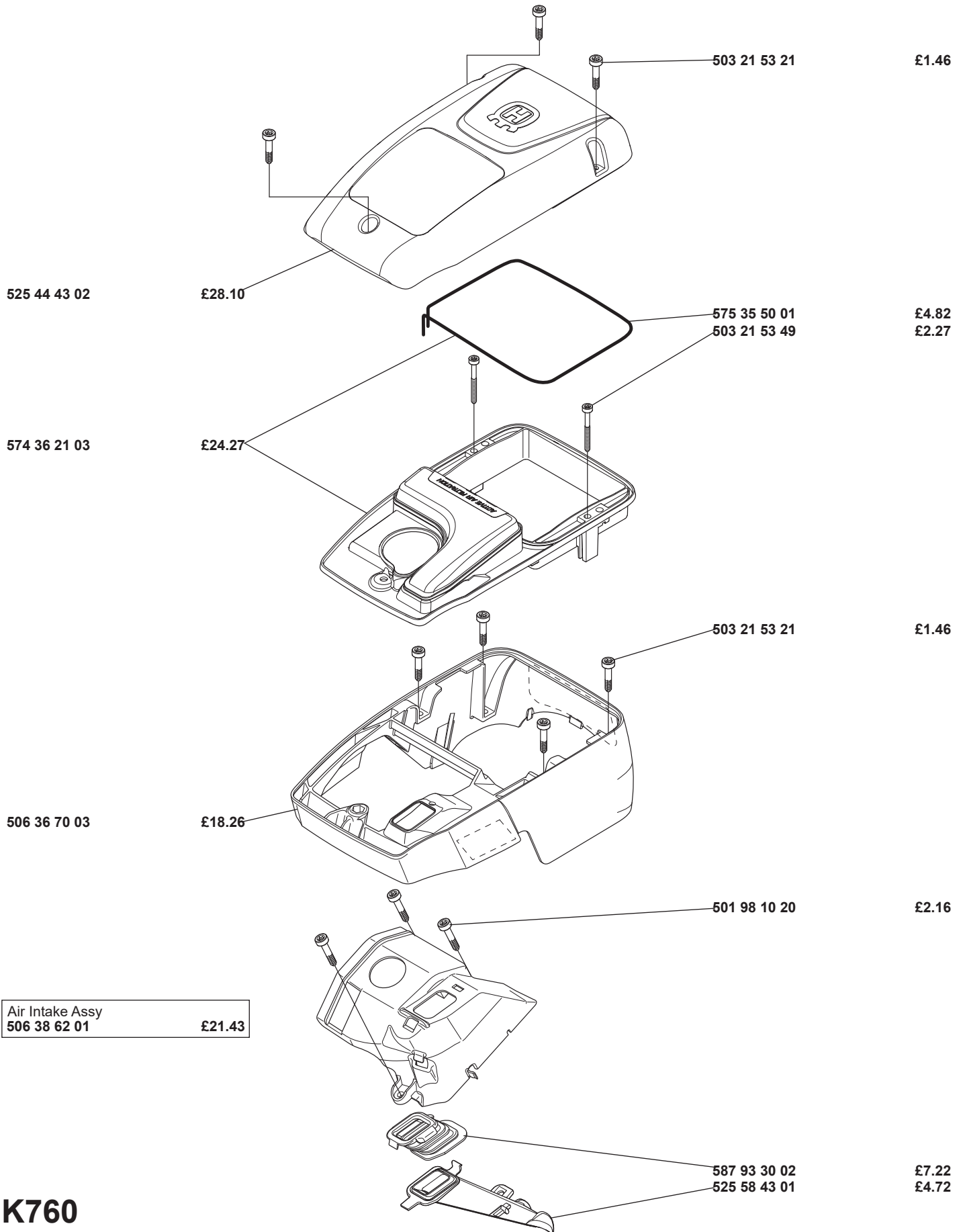
Blade/Bolt Spanner
 13 x 19mm

902 1361 £1.10

Partner/Husqvarna K750 Filter Housing

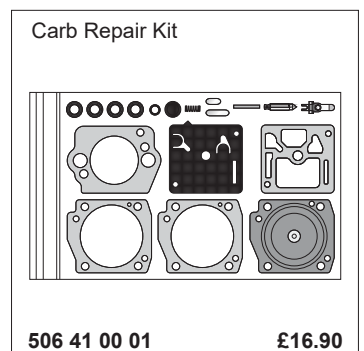
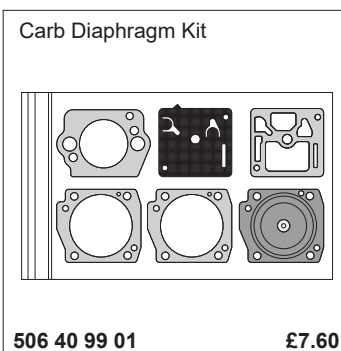
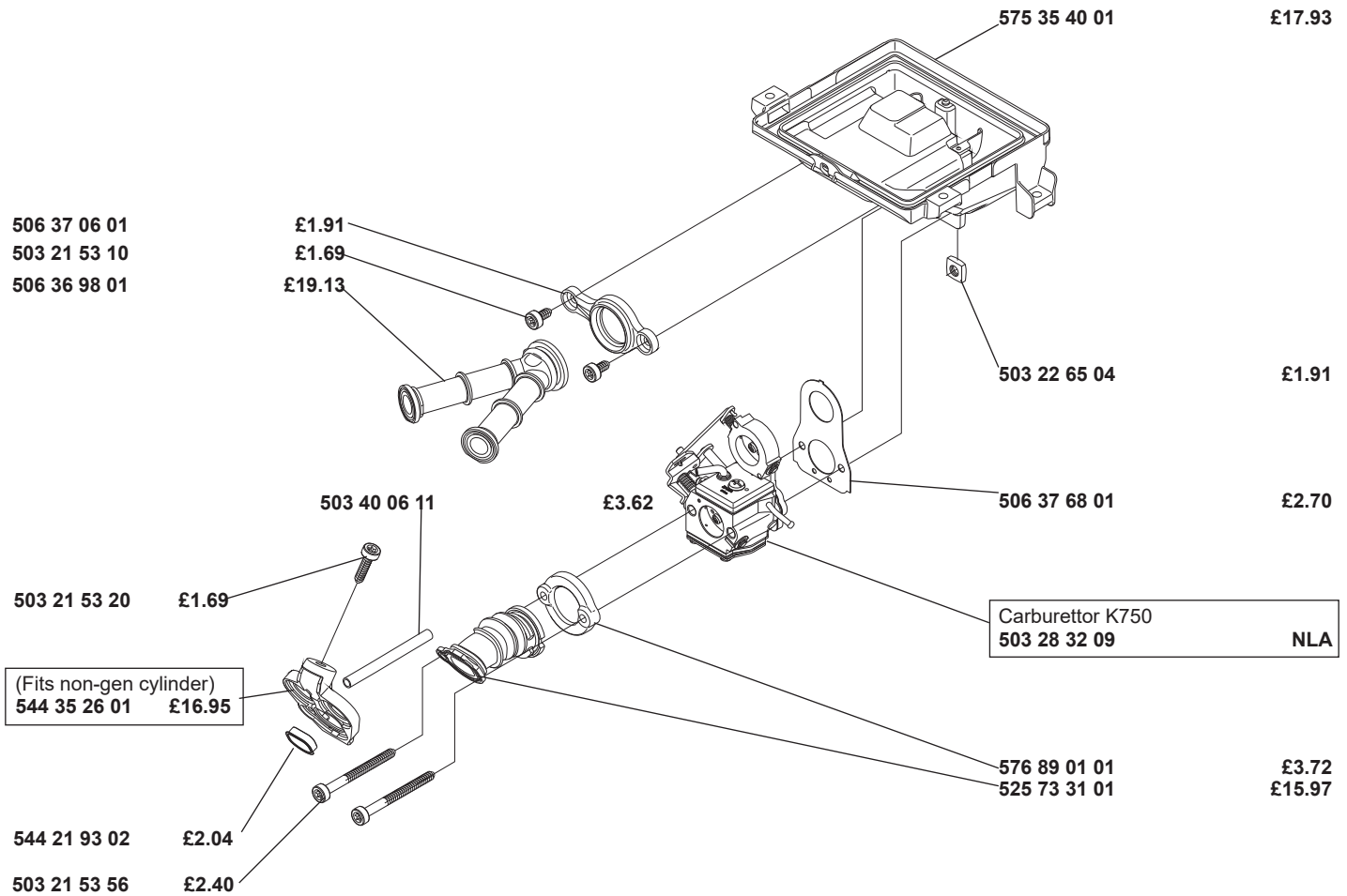
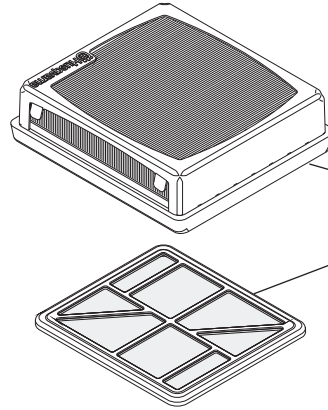


Husqvarna K760 Filter Housing



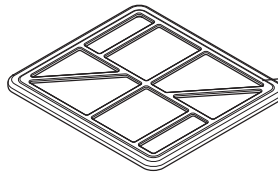
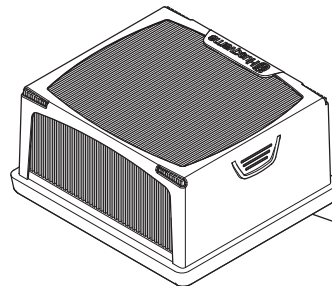
K760

Partner/Husqvarna K750 Air Filter & Carb



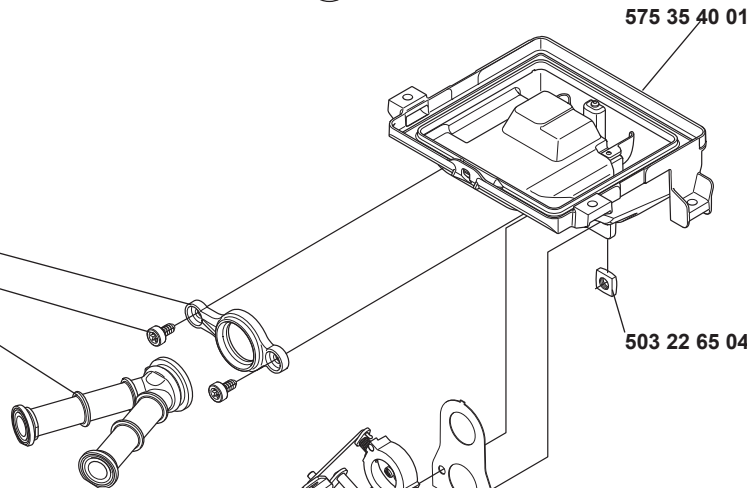
K750

Partner/Husqvarna K760 Air Filter & Carb



506 37 06 01
503 21 53 10
506 36 98 01

£1.91
£1.69
£19.13



503 21 53 20

£1.69

503 40 06 11 £3.62

506 37 68 01 £2.70

Old Style Flange
544 35 26 01 £16.95
New Style Flange
574 23 18 02 £8.42

Carburettor K760 Later (Auto Choke)
578 24 34 01 £77.25
Please Note that the Carburettor - 510 18 12 02 is now no longer available from Husqvarna.

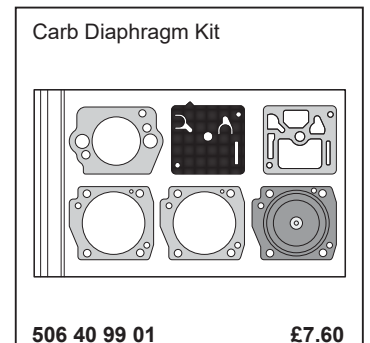
544 21 93 02 £2.04

503 21 53 56 £2.40

576 89 01 01 £3.72

525 73 31 01 £15.97

K760



Partner/Husqvarna K750 / K760 Ignition System

Oil Guard Lead
544 38 49 01 £5.68

Stop Switch Lead
586 49 72 01 £1.44

BPMR7A £1.75

Spark Tester
015 800 £5.54

5mm H.T Lead
124 0176 (1 Mtr) £1.88
124 0177 (10 Mtr) £15.86

Ignition Module
580 38 05 05 £54.87

503 21 28 10 £1.04

506 31 86 04 £5.15

501 48 54 02 £6.68

505 27 75 16 £6.47

503 21 53 20 £1.69

503 20 03 16 £1.55

574 25 09 01 £3.83

503 23 01 01 £1.62

503 22 10 11 £1.96

503 23 00 42 £1.85

501 63 48 01 £2.67

501 67 32 03 £5.80

501 81 99 01 £1.60

506 37 85 01 £7.12

503 21 28 10 £1.04

Flywheel Assy
501 37 56 03 £48.97

ECONOMY DIAMOND BLADES



12" Economy Diamond Blades
Suitable for Cutting Brickwork,
Concrete & Tiles

20mm Bore



Part No.	Type	Price
333 002	12" / Standard Segment	£23.00
333 020	12" / Turbo (long life)	£36.72

EXPERT DIAMOND BLADE



Expert 10mm Continuous Segment
General Construction Materials
Long Life/Fast Cut Blade
Concrete with Steel, Brick, Natural
Stone, Tiles



Part No.	Size	Bore	Price
333 030	12" / 300mm	20mm	£75.58

Partner/Husqvarna K750 / K760 (early) Water Kit

503 21 54 20

£1.69

Valve & Hose Kit
505 09 55 01

£30.72

Valve Assy

506 38 60 12

£17.17

Hose

581 89 36 01

£1.80

Filter

506 29 88 01

£6.02

505 10 35 01

£1.34

506 29 57 02

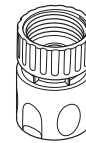
£9.30

576 12 97 01

£2.85

Hose Clip (4 Required)
576 12 97 01

£2.85



400 140

£6.25

504 63 44 01

£1.48

504 63 46 01

£1.20

B

504 63 42 01

£2.04

Water Hose (720mm)
581 89 35 08

£3.40

A

504 63 42 01

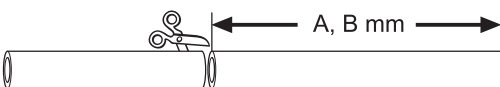
£2.04

504 63 45 01

£2.13

504 63 46 01

£1.20



	A (mm)	B (mm)
K750/760 12"	165	320
K750/760 14"	205	320

Older Type Water Kit

Parts for the older type water kit also available (with the blue plastic Y fitting)
Please contact us for details.

Water & Valve Kit (Non-Gen)
(Incl. K750 & early K760 fittings)



760 130

£41.40

Genuine Water Kit
(New type fittings)



505 09 54 11

£26.67

Husqvarna K760 New Type Water Kit

Valve Assembly
(Includes Screw, Square
Nut & Lever Assy)
578 24 33 02 £12.80

503 22 65 04

£1.91

583 83 30 01

Hose (800mm)
578 19 83 05

£2.73

£13.02

576 79 84 03

£8.10

578 19 07 01

£3.10

504 63 46 01

£1.20

581 35 70 01

£8.87

503 21 53 41

£2.16

578 19 81 01

£10.38

581 78 35 01

£1.44

505 10 35 01

£1.34

506 29 88 01

£6.02

581 47 83 01

£3.95

400 140

£6.25

Hose Clamp
506 49 87 04

£2.87

576 79 84 03

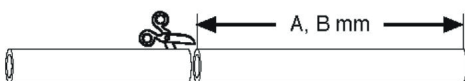
£8.10

578 19 08 01

£3.40

504 63 46 01

£1.20



	A (mm)	B (mm)
K760 12"	235	340
K760 14"	280	410

Genuine Hose & Valve Kit



581 47 62 12

£32.50

Genuine Hose Kit



581 72 15 04

£31.40

Partner/Husqvarna K950 Spares

				
K950/K960 Paper Filter	NG K950/K960 Paper Filter	K950/K960 Sponge Filter	K950/K960 Service Kit	Pickup Filter
578 12 07 01 NLA	LA1606 £7.30	506 23 19 01 £8.35	950 751 £22.40	598 83 66 01 £5.58
				
Ignition Module	Spark Plug Cap	Cylid & Piston (Genuine)	Cylid & Piston (Non Gen)	Piston Assy 56mm
587 32 94 01 £81.68	501 48 54 02 £6.68	506 15 55 06 NLA	950 201 £46.80	503 46 02 02 NLA
				
Piston Ring 56mm	Decomp Valve	Head Gasket	Small End Bearing	Main Bearing
503 28 90 24 £9.45	503 66 56 01 £12.73	506 15 82 01 £3.40	501 81 74 01 £8.22	503 25 00 02 £17.50
				
Crankshaft Oil Seal	Gasket Set	Exhaust Silencer	Filler Cap Assembly	Carb Diaphragm Set
503 26 02 05 £6.52	506 29 05 02 NLA	587 63 11 01 £65.13	506 25 59 03 £8.10	DG-10-HS £8.38
				
Spark Plug	Recoil Assy	Choke Lever	Belt Guard (16" Blade)	Drive Belt (14" Blade)
BPMR7A £1.75	506 21 84 04 £13.12	506 23 20 11 £9.42	506 27 92 01 £21.87	506 34 74 23 NLA

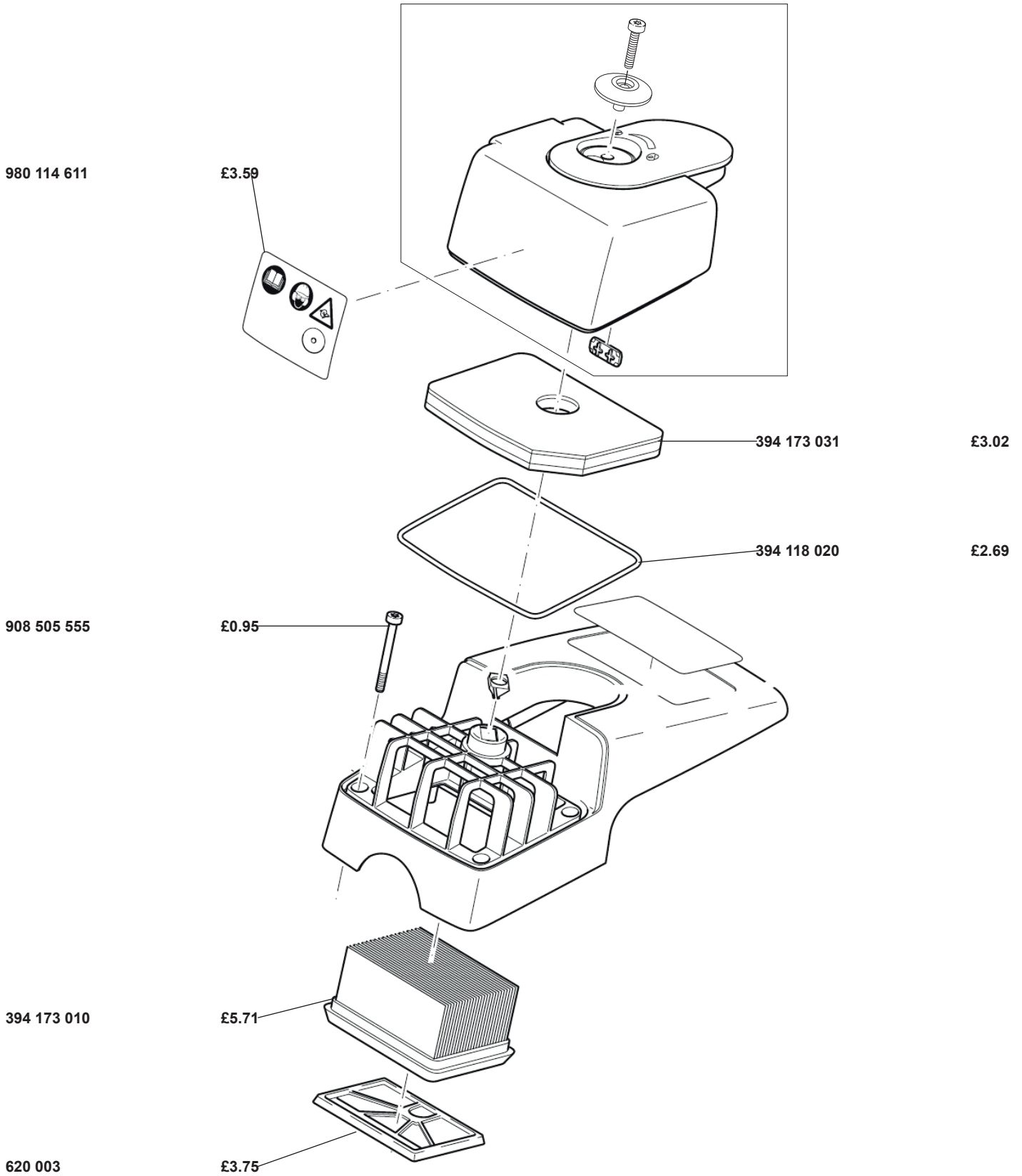
Partner/Husqvarna K1250 Spares

				
N/G K1250 Paper Filter	K1250 Sponge Filter	K1250 Service Kit Gen/Non Gen	Pickup Filter	Spark Plug
LA1606 £7.30	LA1615 £3.10	125 751 £15.65	598 83 66 01 £5.58	BPMR7A £1.75
				
Ignition Module	Spark Plug Cap	Cylid & Piston (Genuine)	Cylid & Piston (Non Gen)	Piston Assy 60mm
587 32 94 01 £81.68	501 48 54 02 £6.68	506 29 42 71 £227.80	125 201 £42.02	501 89 41 03 £107.40
				
Piston Ring 60mm	Decomp Valve	Head Gasket	Small End Bearing	Main Bearing
503 28 90 26 £16.08	503 66 56 01 £12.73	503 13 46 01 £3.95	503 13 29 01 £17.17	503 25 00 02 £17.50
				
Crankshaft Oil Seal	Gasket Set	Carburettor	Carb Diaphragm Kit	Recoil Assy
503 26 02 05 £6.52	506 29 24 04 £15.63	503 28 12 70 £168.08	503 59 74 02 £15.97	506 27 55 13 £60.22
				
Rewind Spring	Rope Pulley	Belt Guard	Drive Belt - 3 Ridge (14" & 16" Blade)	Blade Washer
503 13 50 01 £16.15	501 89 67 01 £27.98	506 27 92 01 £21.87	544 97 63 01 £25.80	506 02 87 01 £23.72

Tools & Accessories

Carb Adjusting Tools (10pc)	Carb Tool - Pacman	Carb Tool - 1 Flat Side	Carb Tool - 2 Flat Sides	Carb Tool - Husqvarna
996 951 £22.95	350 185 £6.85	351 014 £5.50	351 013 £4.50	530 03 55 60 £5.50
Carb Cleaner 400ml	Spark Tester	Stihl Rev Counter	2 Stroke Fuel Test Kit	Water Finding Paste 90g
FX081375 £3.10	015 800 £5.54	350 111 £51.39	350 162 £27.50	804 160 £13.52
Recoil Bush Fitting Tool	Flywheel Puller TS350	Flywheel Puller TS400	Piston Ring Clamp	Piston Stop
0000 890 2201 £8.82	1107 890 4500 £28.20	5910 893 0801 £2.90	0000 893 2600 £0.91	350 103 £2.42
3 Leg Puller 4"	Circlip Plier Set	17x19mm Spanner (TS350, TS400)	13x19mm Spanner (TS410, Husq, Makita)	Torx Spanner (TS400)
902 2035 £39.17	902 2301 £7.77	902 1360 £1.00	902 1361 £1.10	4119 890 3400 £6.49
Torx Spanner (TS410)	Torx Spanner (Husqvarna)	150mm Torx Spanner	T-Handled Wrench 8mm x 185mm	T-Handled Wrench 10mm x 230mm
410 250 £1.95	750 220 £2.10	5910 890 2400 £3.10	902 0321 £5.69	902 0322 £9.32

Makita DPC6200/6400 Air Filter



Makita DPC6410/6420 Air Filter

Hood
326 118 600

£40.71

326 173 080

£4.81

908 605 505

£0.95

326 118 692

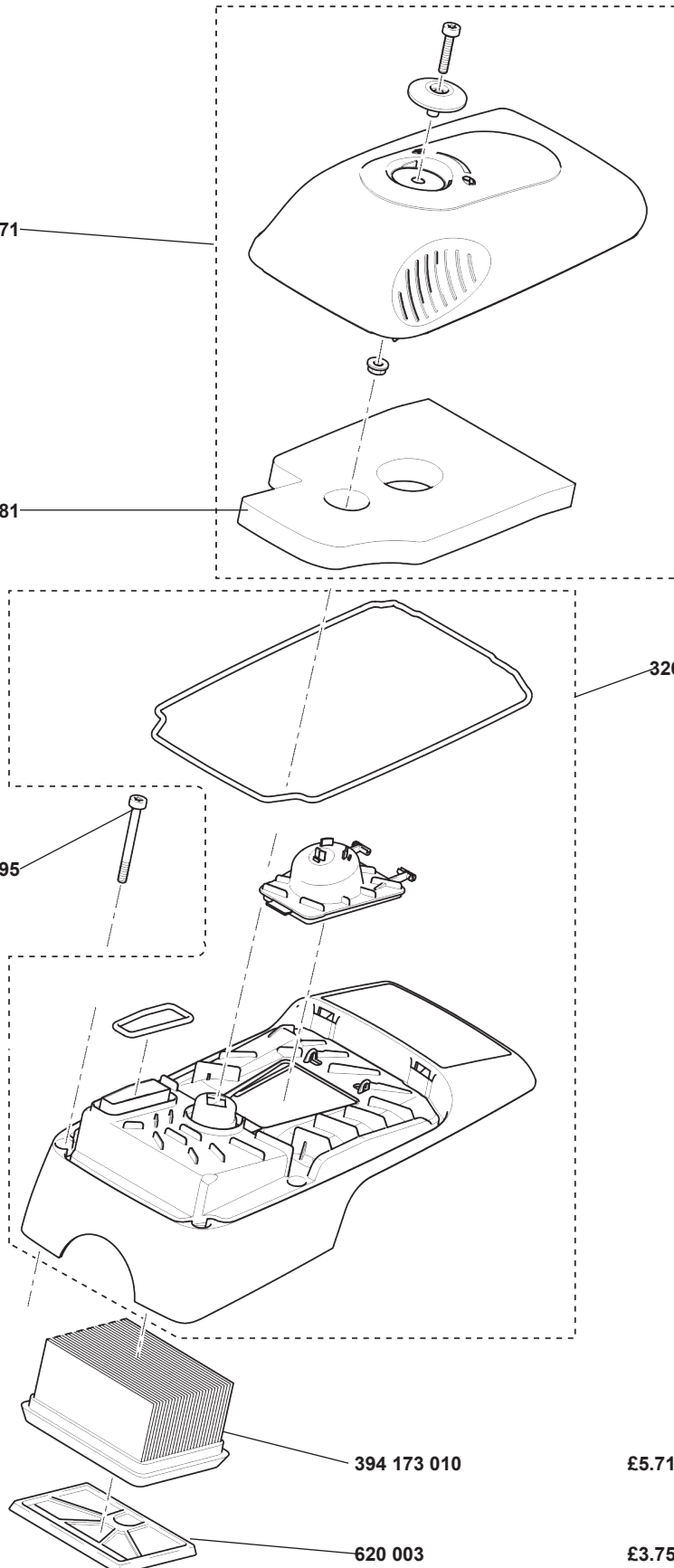
£35.66

394 173 010

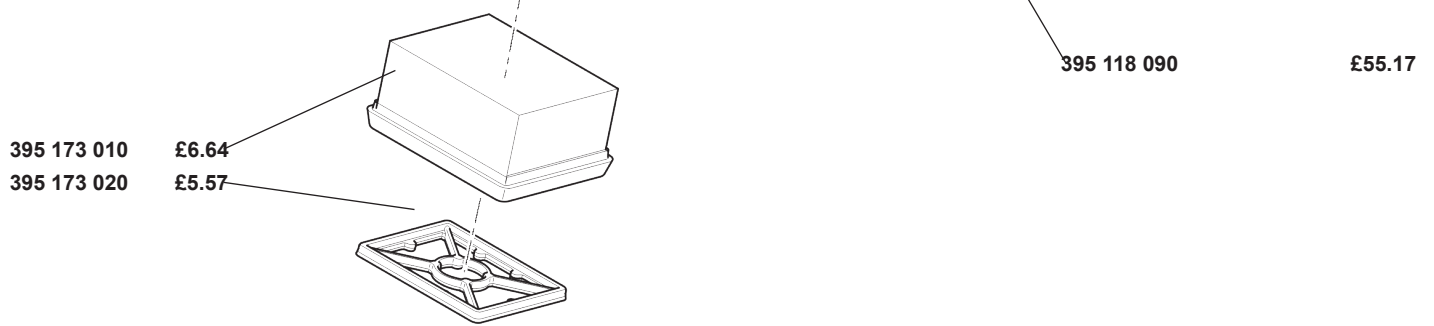
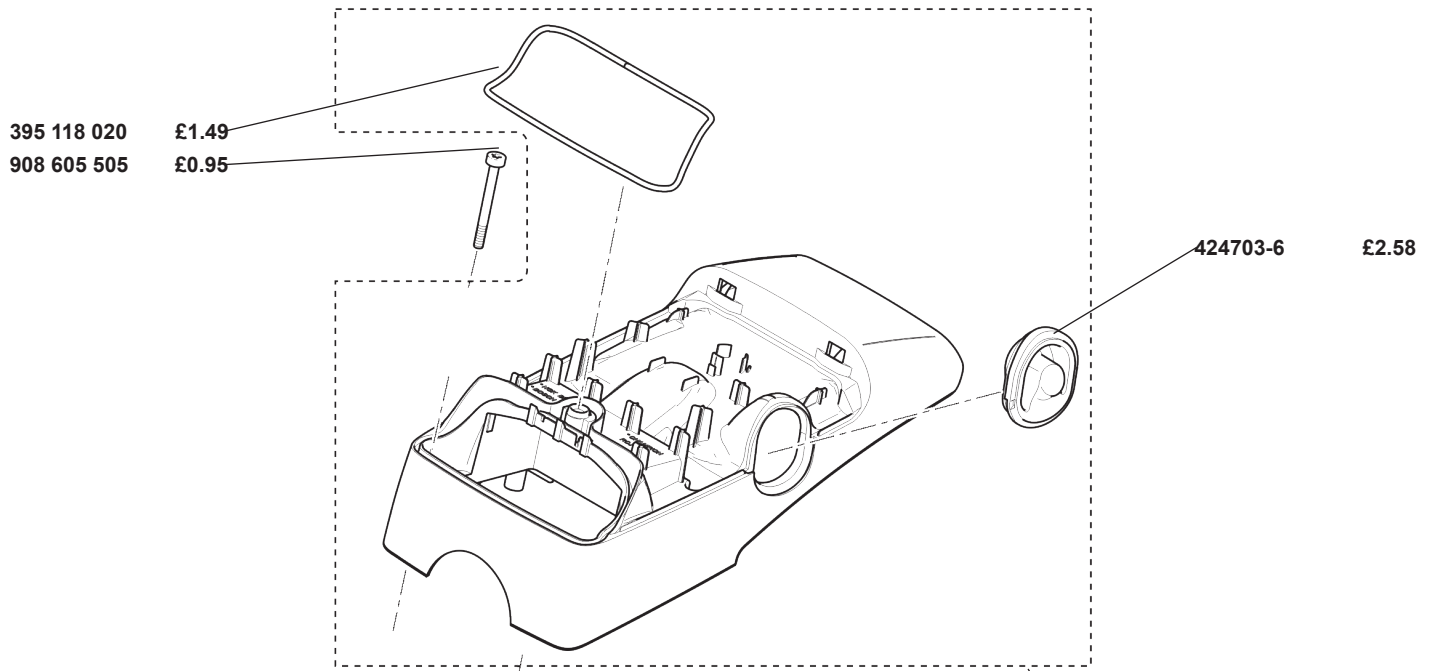
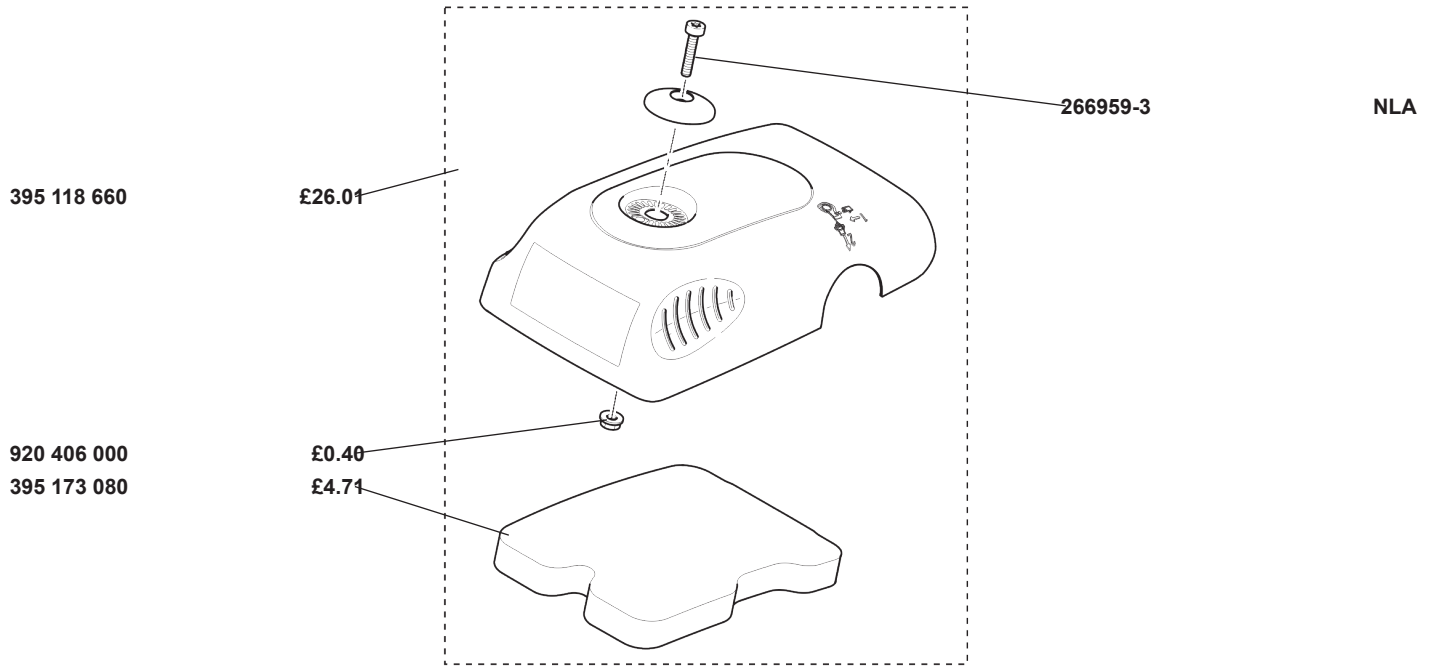
£5.71

620 003

£3.75



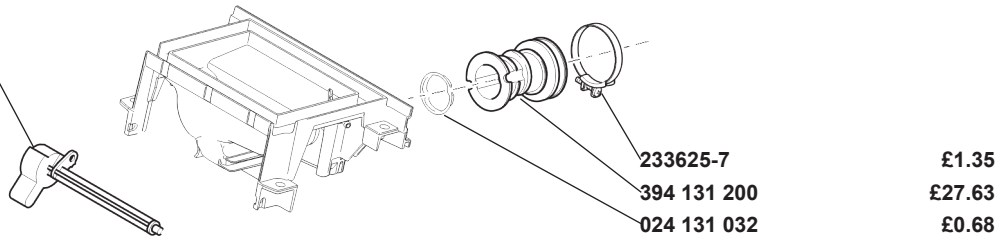
Makita DPC6430 Air Filter



D - Makita Disc Cutter Spares

Makita DPC6200 / 6400 / 6410 / 6430 Carburettor & Exhaust

Choke Lever
(Early Type)
394 150 030 **£3.93**

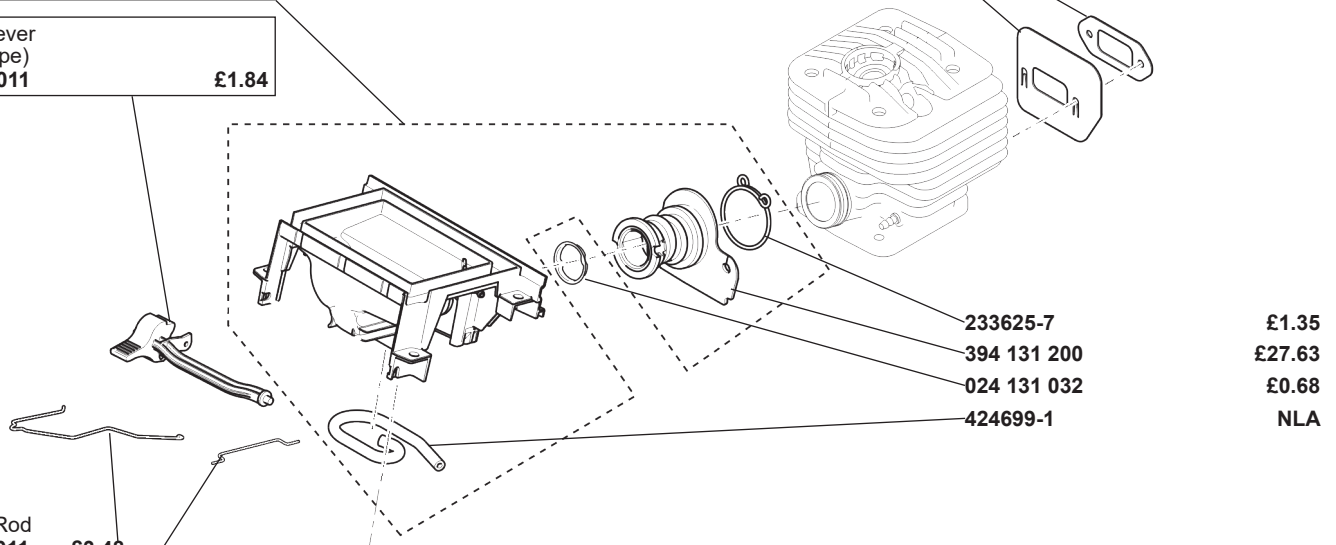


Carb Housing Assy
(Later Type)
123310-9 **NLA**

346876-4
346868-3

£0.81
£0.95

Choke Lever
(Later Type)
395 150 011 **£1.84**



Throttle Rod
394 117 011 **£3.48**

Choke Rod
455808-1 **£0.95**

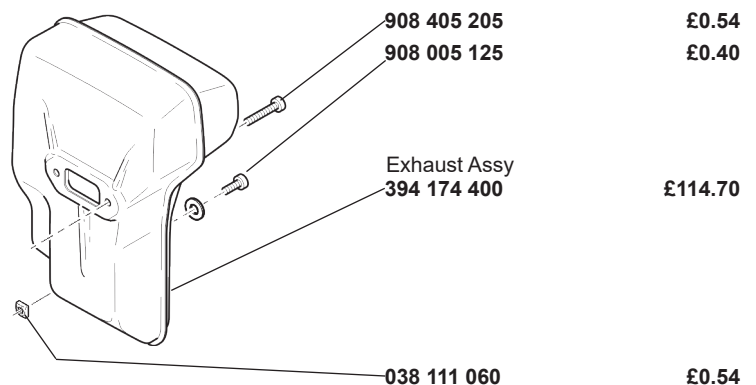
908 204 555 **£0.81**
965 518 120 **£0.68**

424696-7 **£0.95**

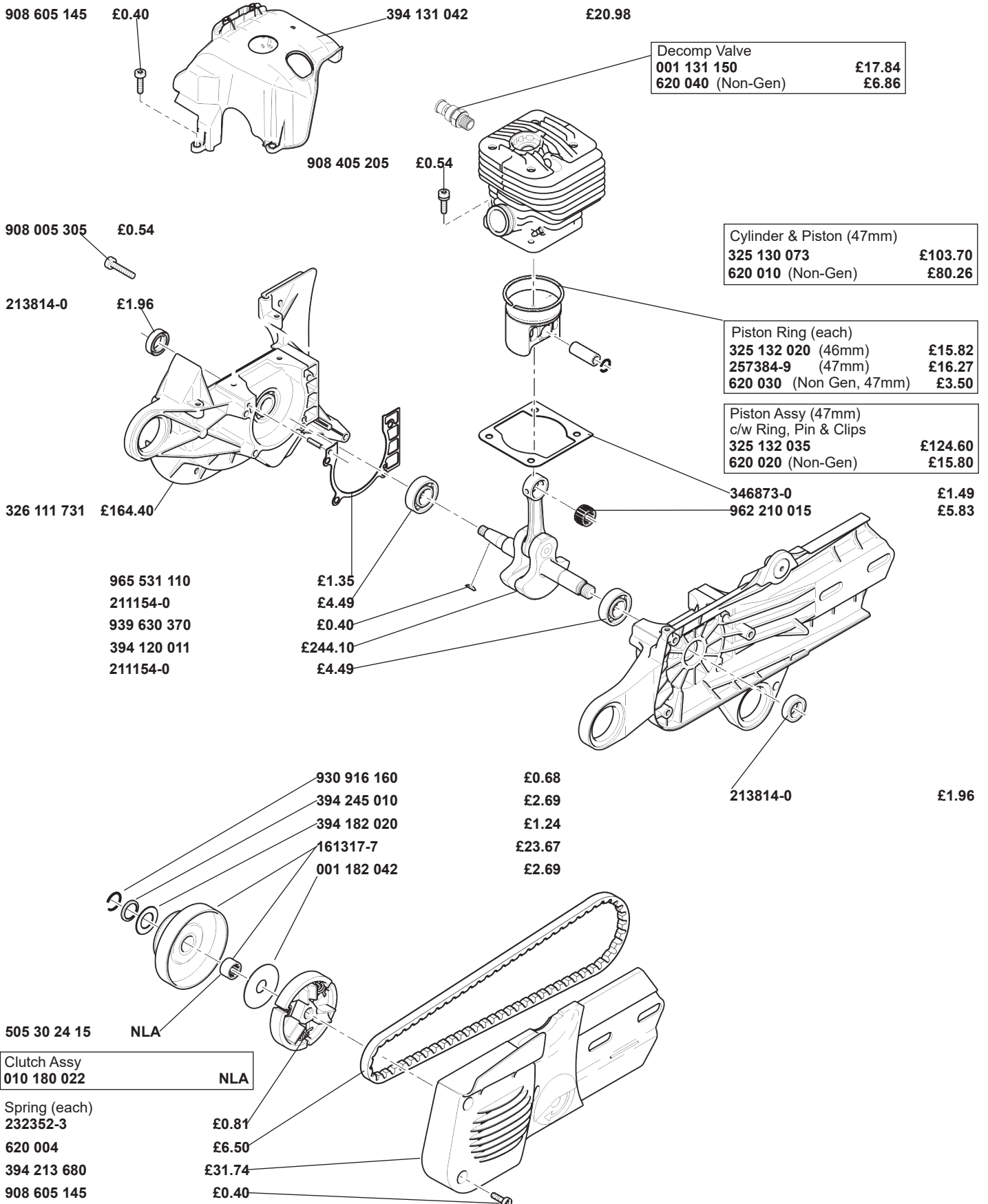
Carburettors
DPC6200/6400/6410
620 005* **£97.85**
DPC6430
WJ-123* **£111.30**
WJ-126* **£96.20**
* Subject to availability

Carb Diaphragm Kits

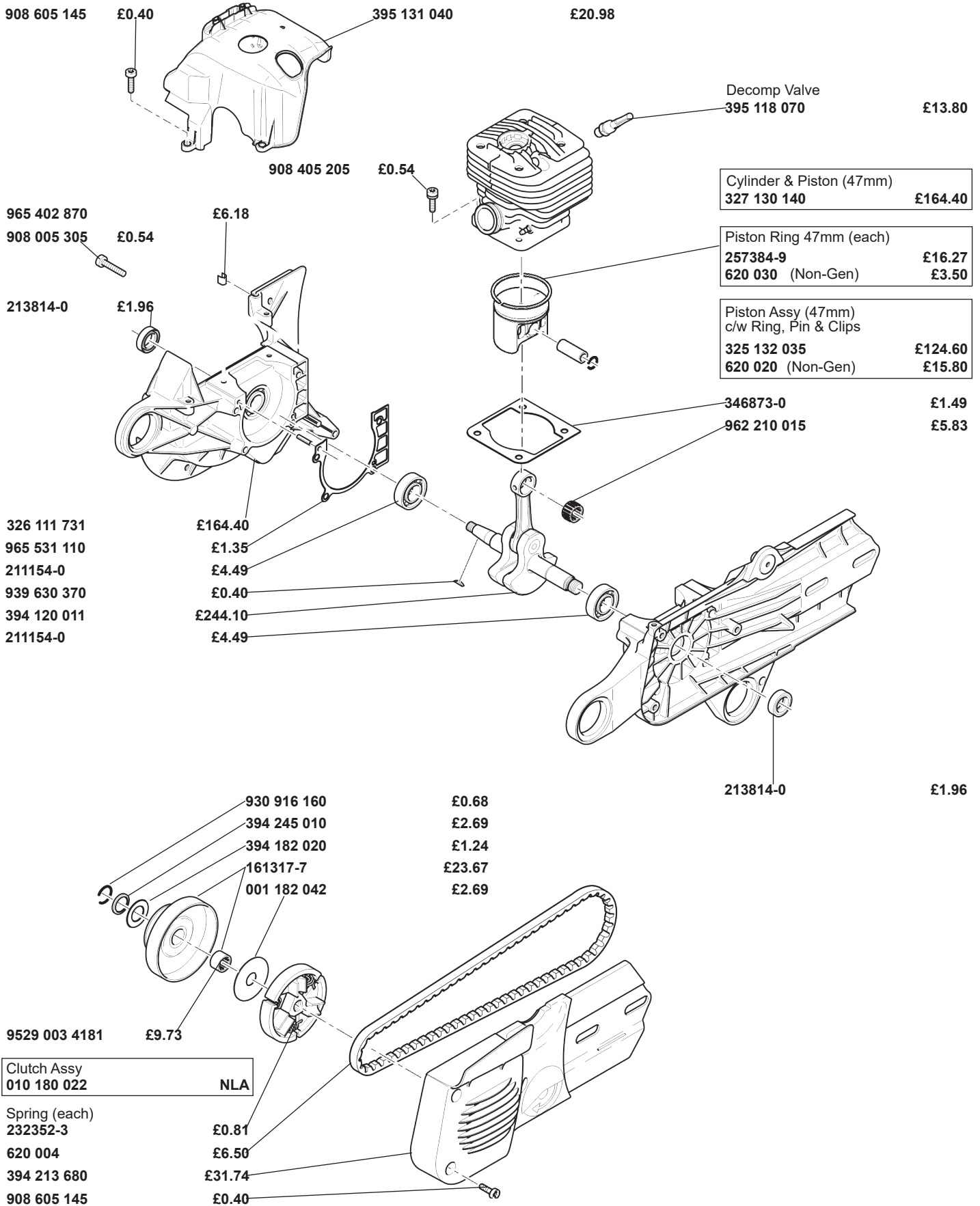
	DPC6200/6400/6410 D10-WJ (Walbro)	£7.08
	DG-7-HS (Tillotson)	£7.45
	DPC6430 D10-WJ (Walbro)	£7.08



Makita DPC6200 / 6400 / 6410 Crankcase, Cylinder & Clutch



Makita DPC6430 Crankcase, Cylinder & Clutch

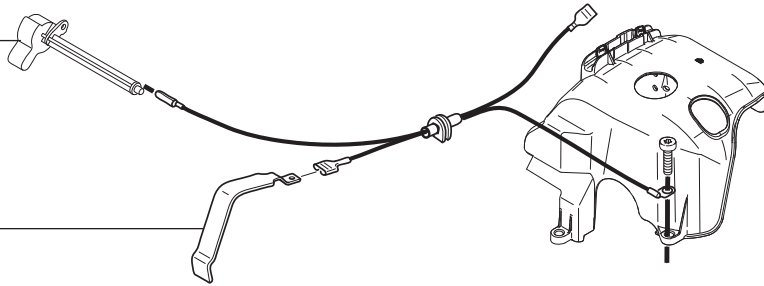


DPC6430

Makita DPC6200 / 6400 / 6410 / 6430 Ignition System

Choke Lever
(Early Type)
394 150 030 **£3.93**

Contact Spring
(Early Type)
394 146 010 **£2.69**



Choke Lever
(Later Type)
395 150 011 **£1.84**

Contact Spring
(Later Type)
394 146 013 **£2.69**

264107-8 **£0.40**

926 208 001 **£0.40**

Pawl Kit
031 166 010 **£7.75**

Flywheel Assy
Includes Pawls
394 141 090 **£52.92**

266607-4 **£0.40**

Ignition Module
(c/w L.T. & H.T. Lead)
161316-9 **£74.57**

5mm H.T. Lead
124 0176 (1 Mtr) **£1.88**
124 0177 (10 Mtrs) **£15.86**

Front Handle
143097-7 **£28.26**

957 604 260 **£2.25**
BPMR7A **£1.75**

394 114 190 **£19.63**
913 455 454 **£0.68**

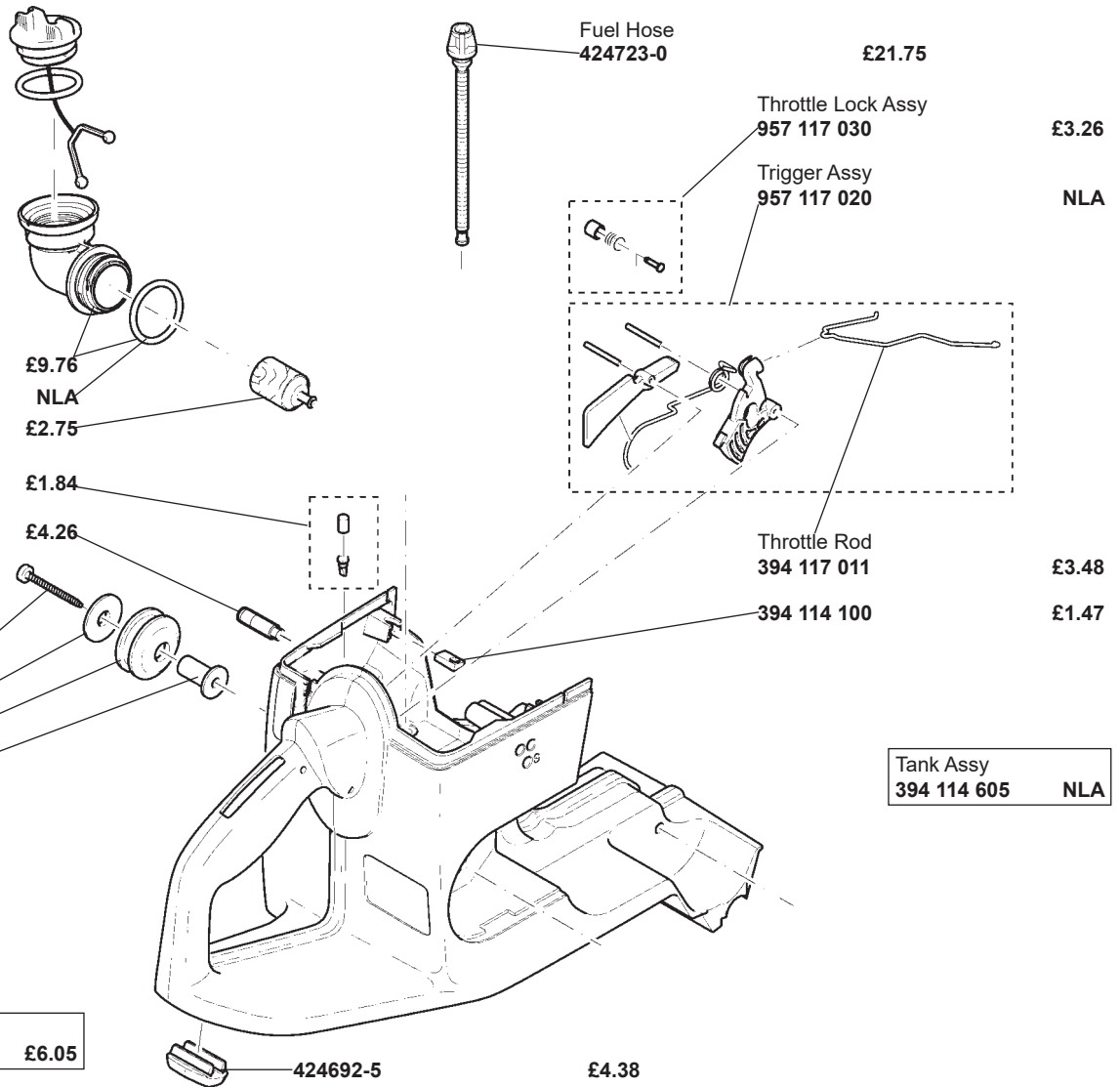
Makita DPC6200 / 6400 / 6410 / 6430 Tank Housing

New Type Cap
181 114 202 £1.71

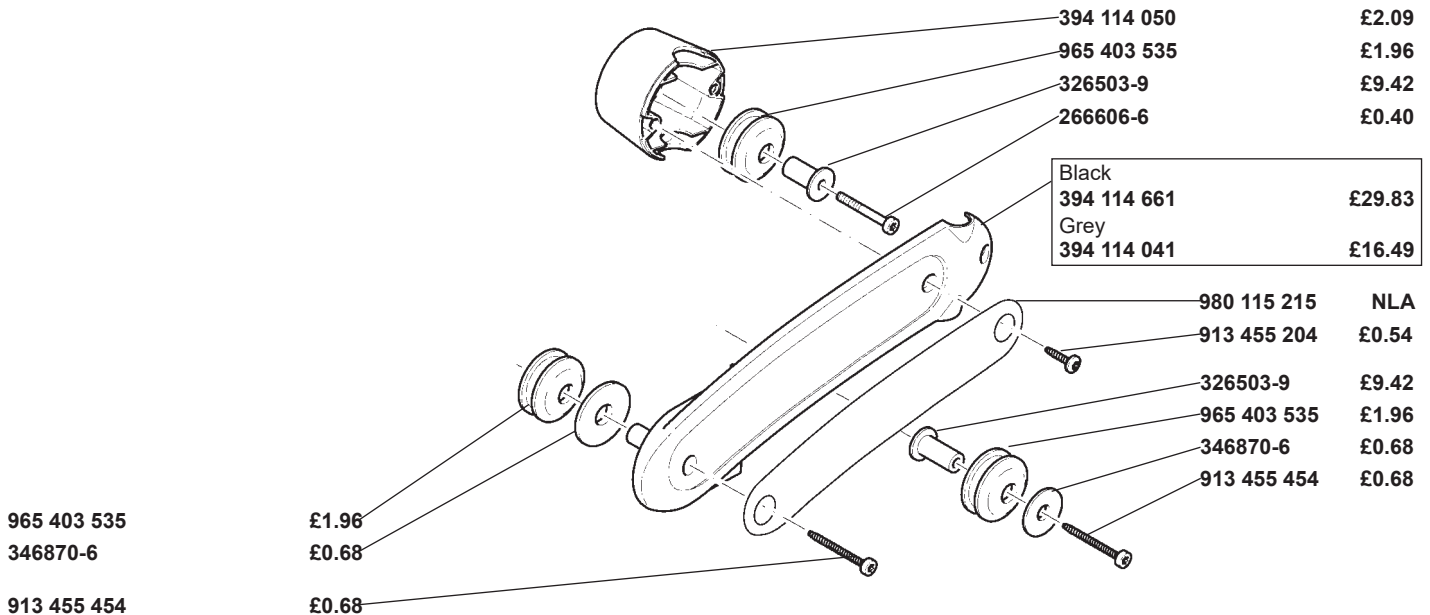
010 114 081 £9.76
963 230 031 NLA
963 601 121 £2.75
New Type Breather 195762-4 £1.84
Old Type Breather 010 245 010 £4.26

913 455 454 £0.68
346870-6 £0.68
965 403 535 £1.96
326503-9 £9.42

Old Type Cap
010 114 091 £6.05

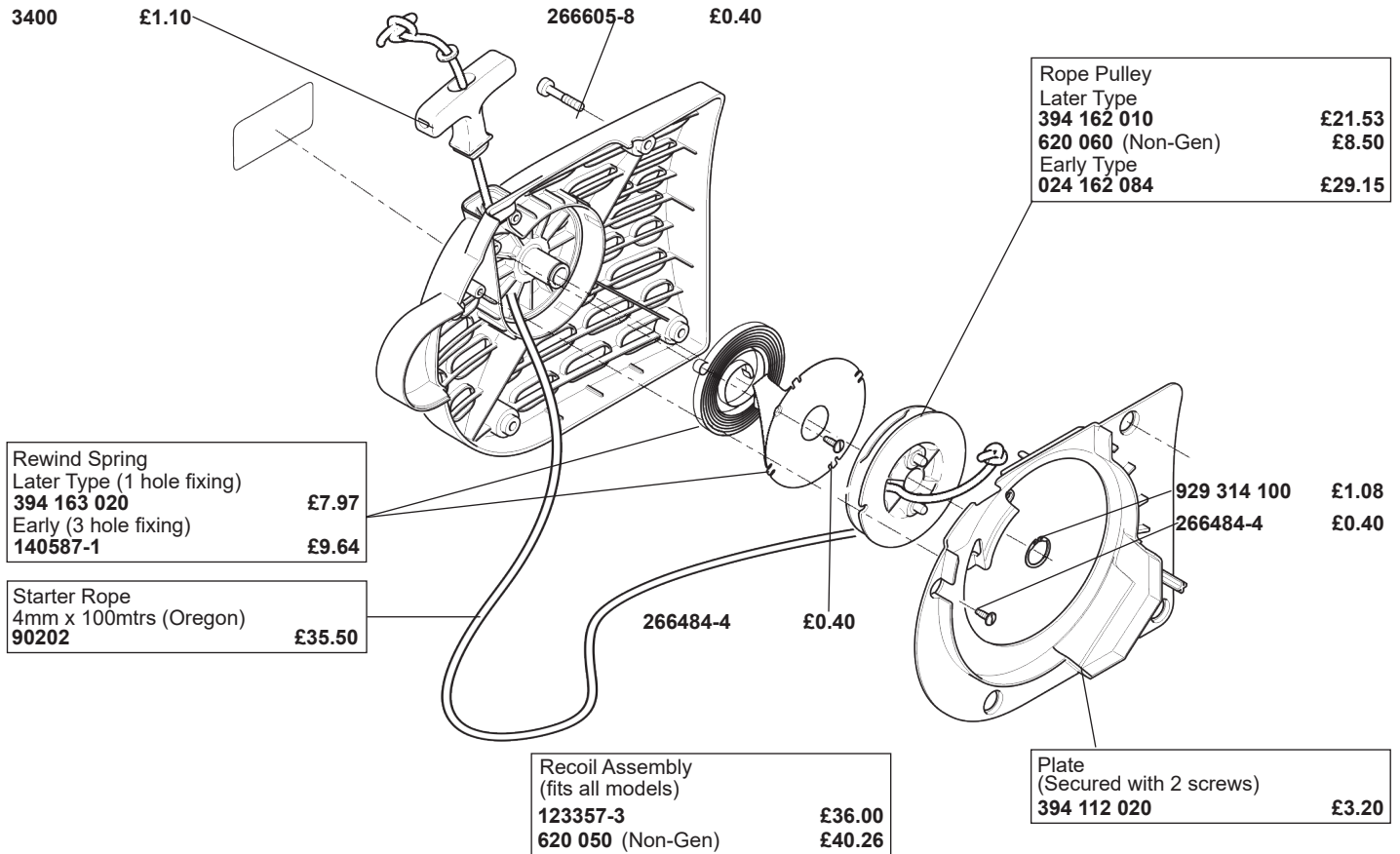


Tank Assy
394 114 605 NLA

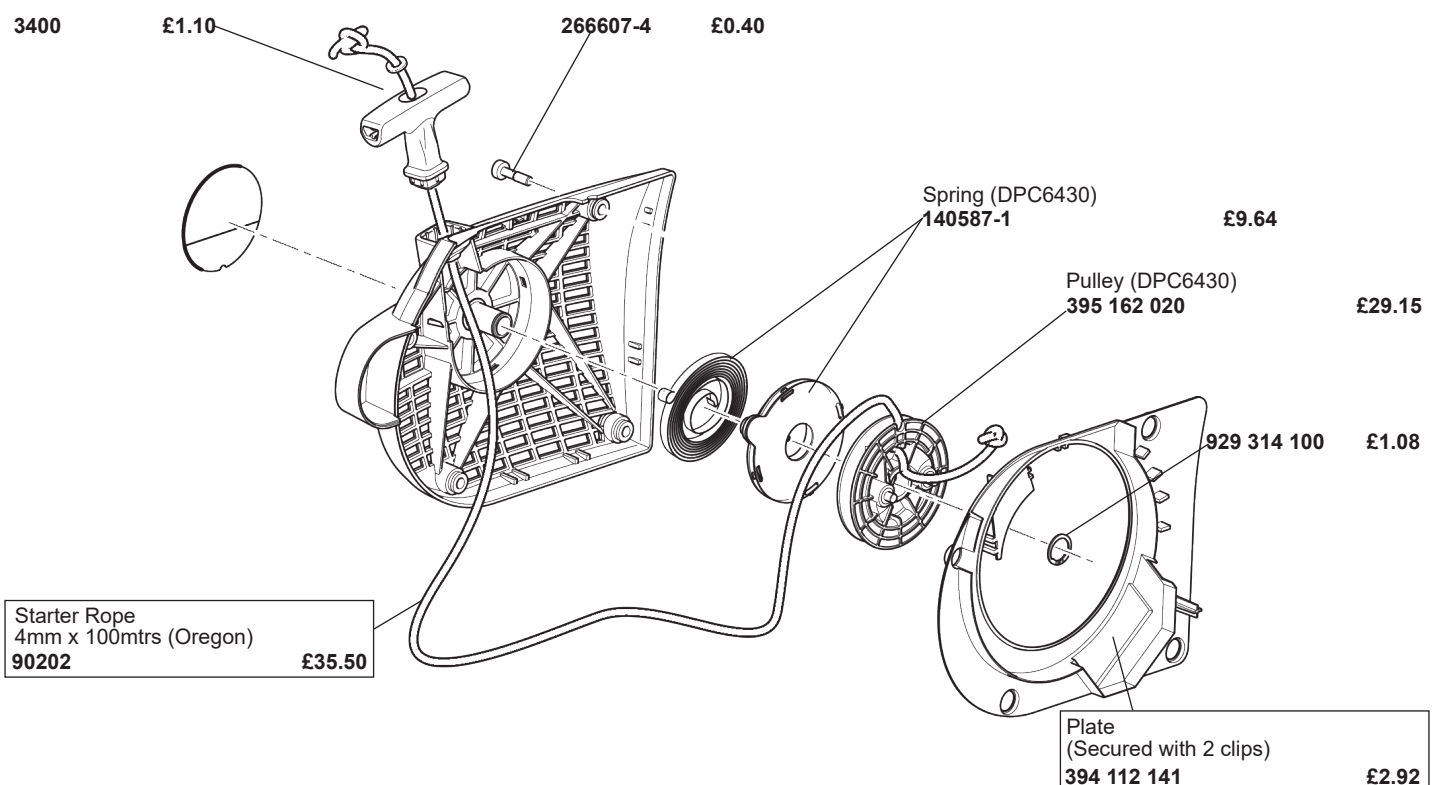


Makita DPC6200 / 6400 / 6410 / 6430 Recoil Starter

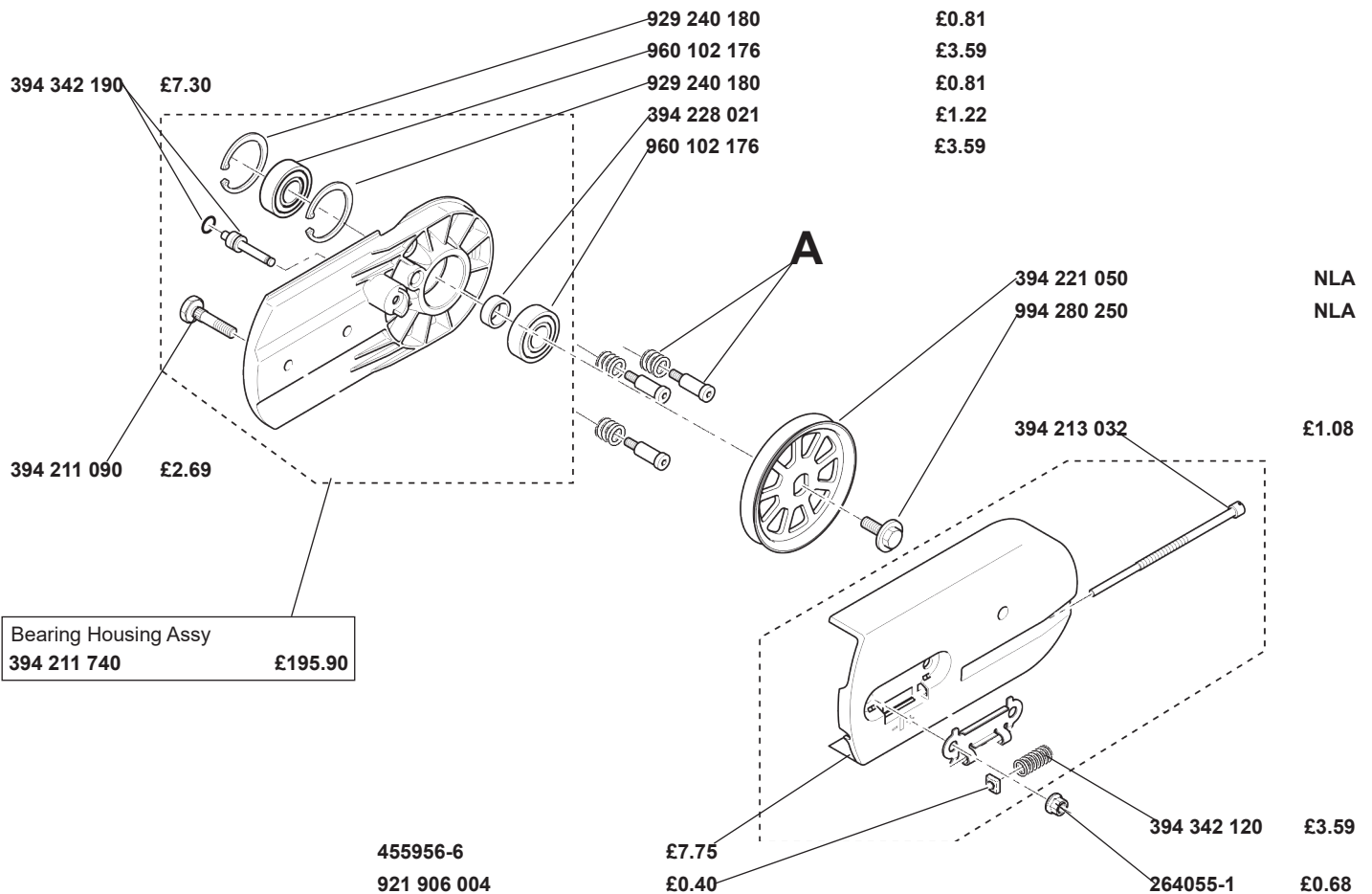
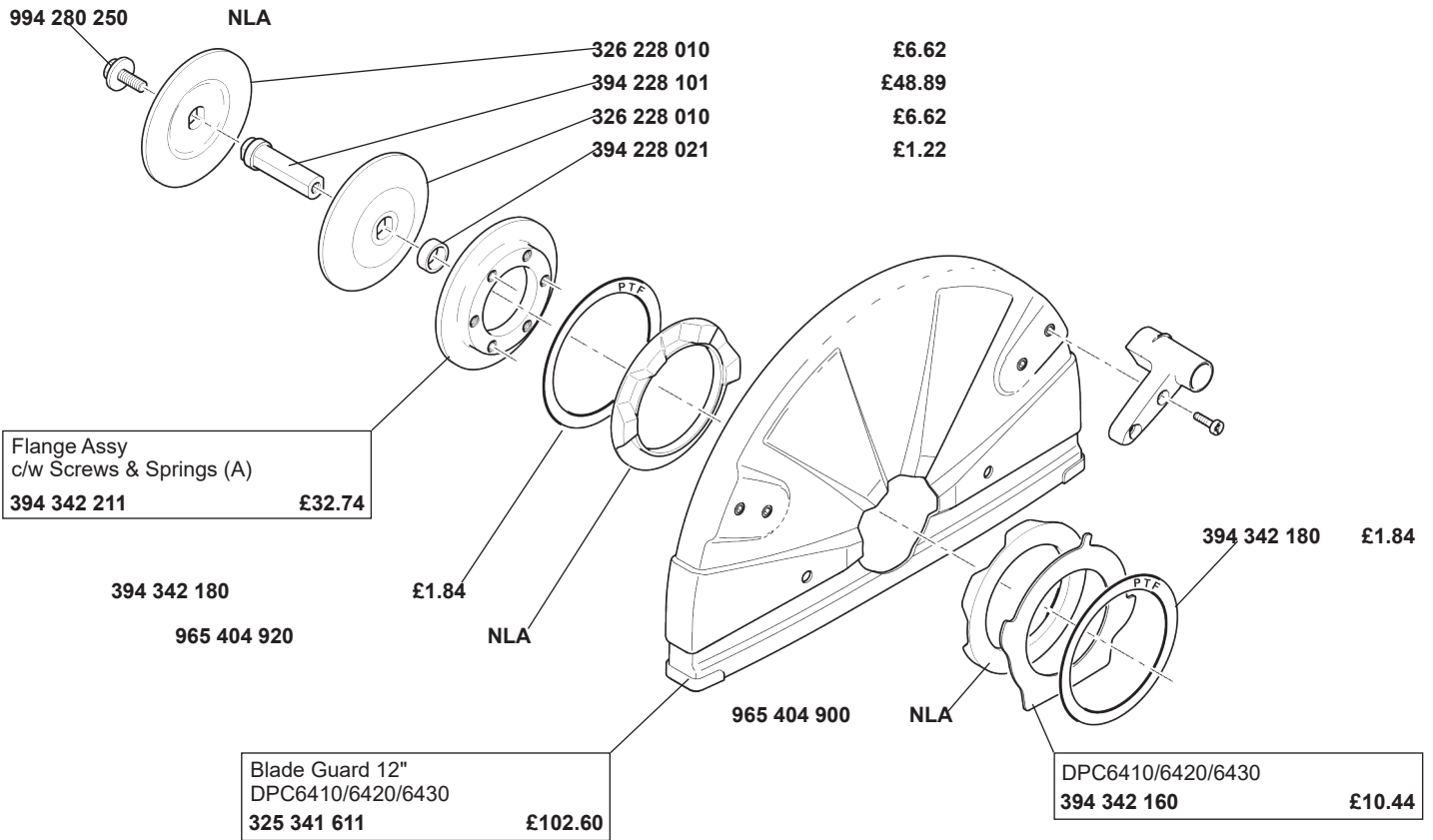
DPC6200/6400/6410



DPC6430



Makita DPC6200 / 6400 / 6410 / 6430 Blade Guard & Cutting Head



Makita DPC6200 / 6400 / 6410 / 6430 Water Kit

Cap Nut
964 802 362
964 802 340

£1.22
£4.04

Water Kit Assy
394 365 600 **NLA**

Banjo Bolt
964 802 352

£2.69






921 906 004

£0.40

964 802 362 £1.22
964 802 332 **NLA**

Clear Hose (per mtr)
964 802 321 £3.71

394 365 160 £7.62
908 006 105 £0.68
4201 700 4500 £10.49
4201 700 7300 £5.84
400 140 £6.25

				
Water Bottle Assembly 15 ltr Capacity	Seal Kit for P-54047 Water Bottle	Riser Tube for P-54047 Water Bottle	Pump Handle for P-54047 Water Bottle	Water Hose for P-54047 Water Tank
P-54047 £67.84	6985 £2.09	140 329 £27.81	147 132 £50.58	803 538 £7.85

ECONOMY DIAMOND BLADES



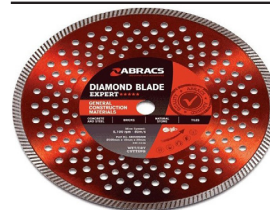
12" Economy Diamond Blades
Suitable for Cutting Brickwork,
Concrete & Tiles

20mm Bore



Part No.	Type	Price
333 002	12" / Standard Segment	£23.00
333 020	12" / Turbo (long life)	£36.72

EXPERT DIAMOND BLADE

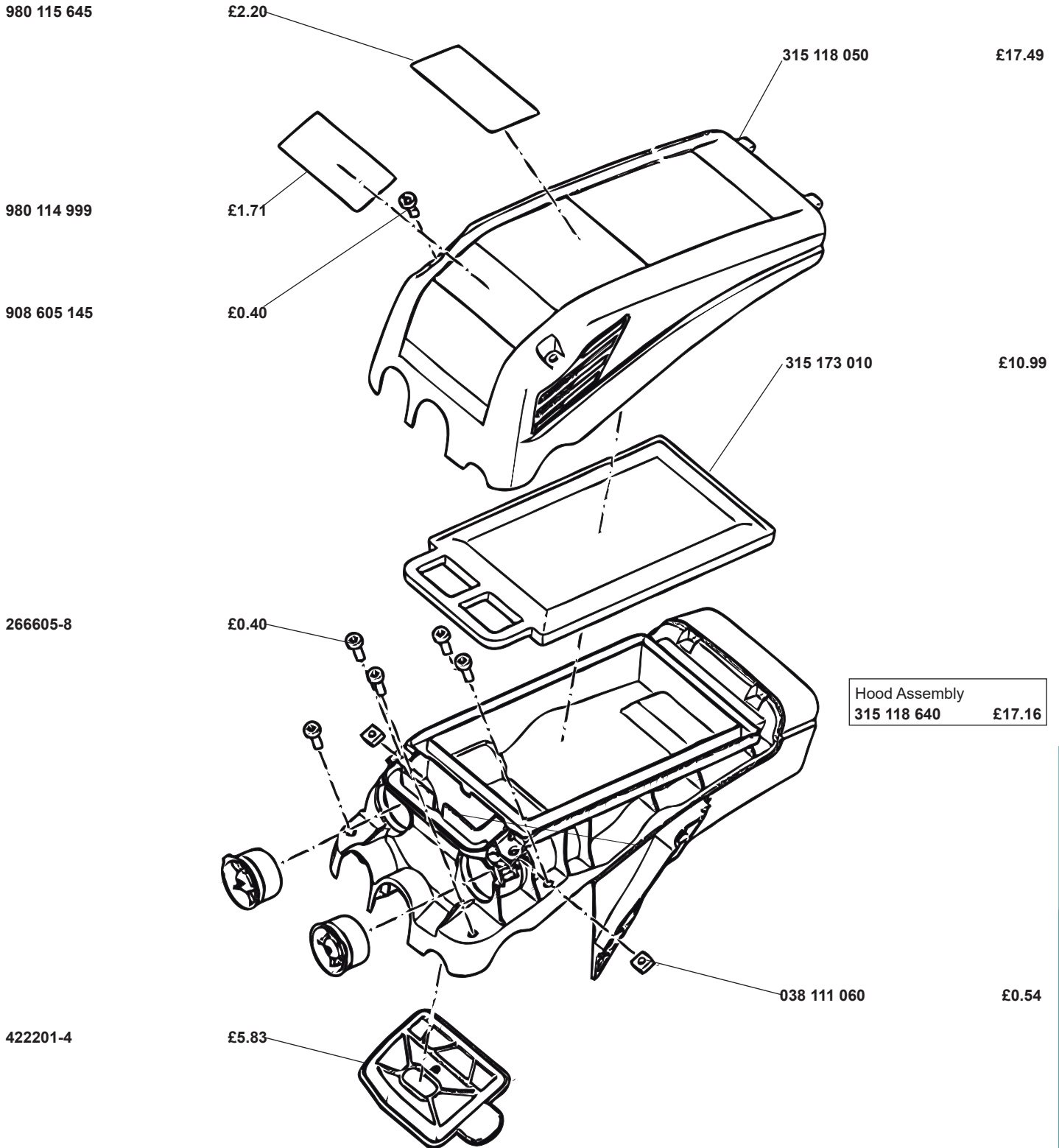


Expert 10mm Continuous Segment
General Construction Materials
Long Life/Fast Cut Blade
Concrete with Steel, Brick, Natural
Stone, Tiles

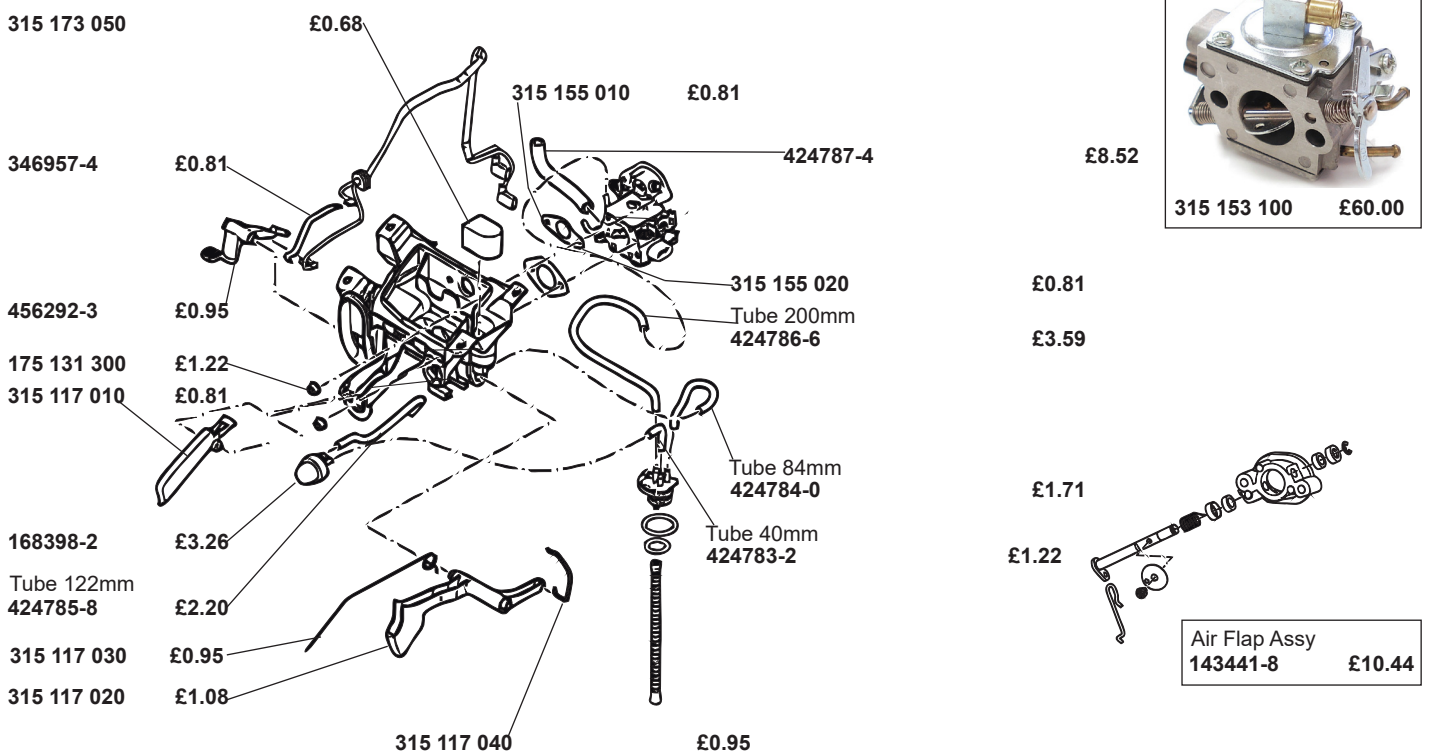
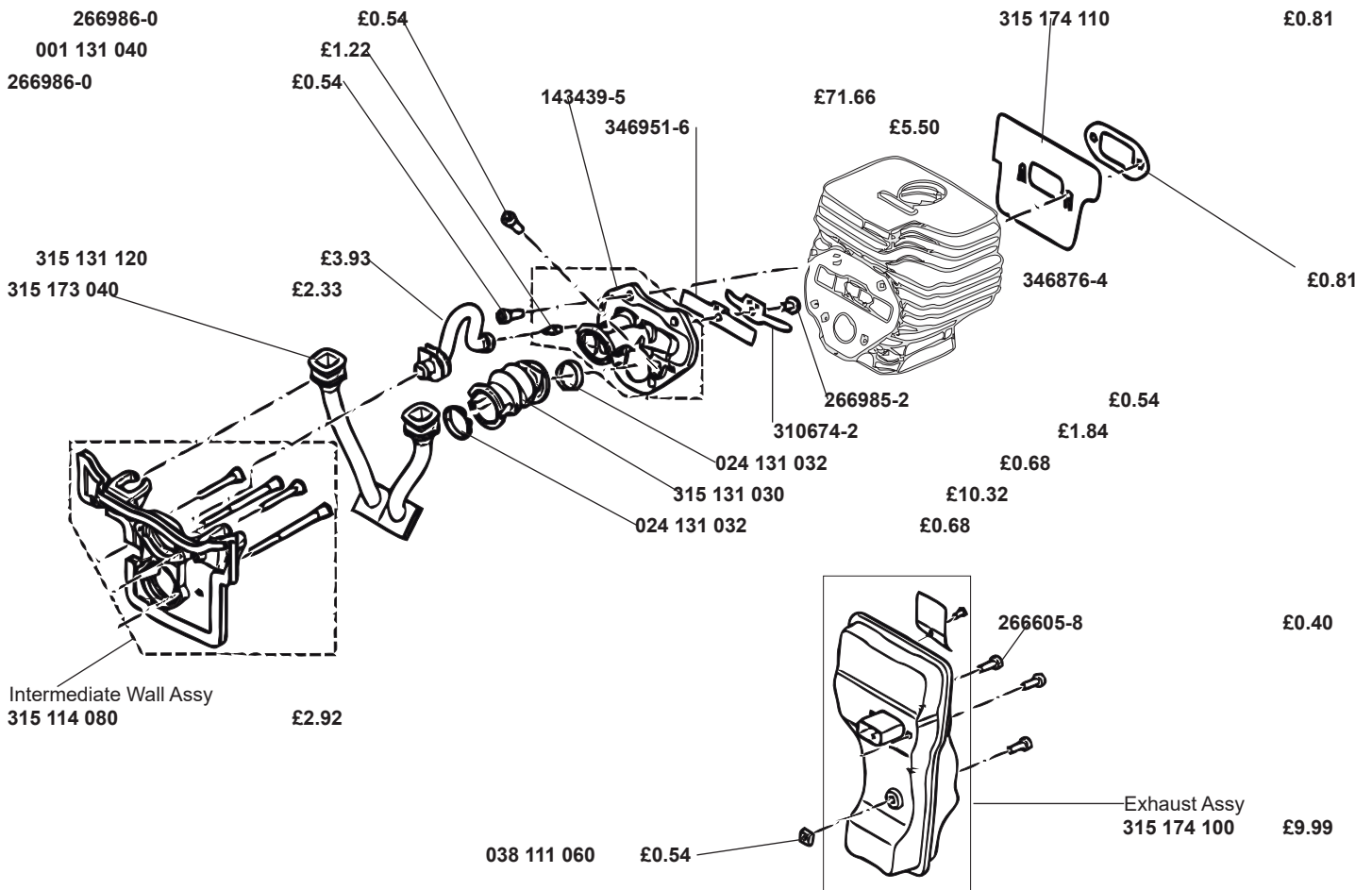


Part No.	Size	Bore	Price
333 030	12" / 300mm	20mm	£75.58

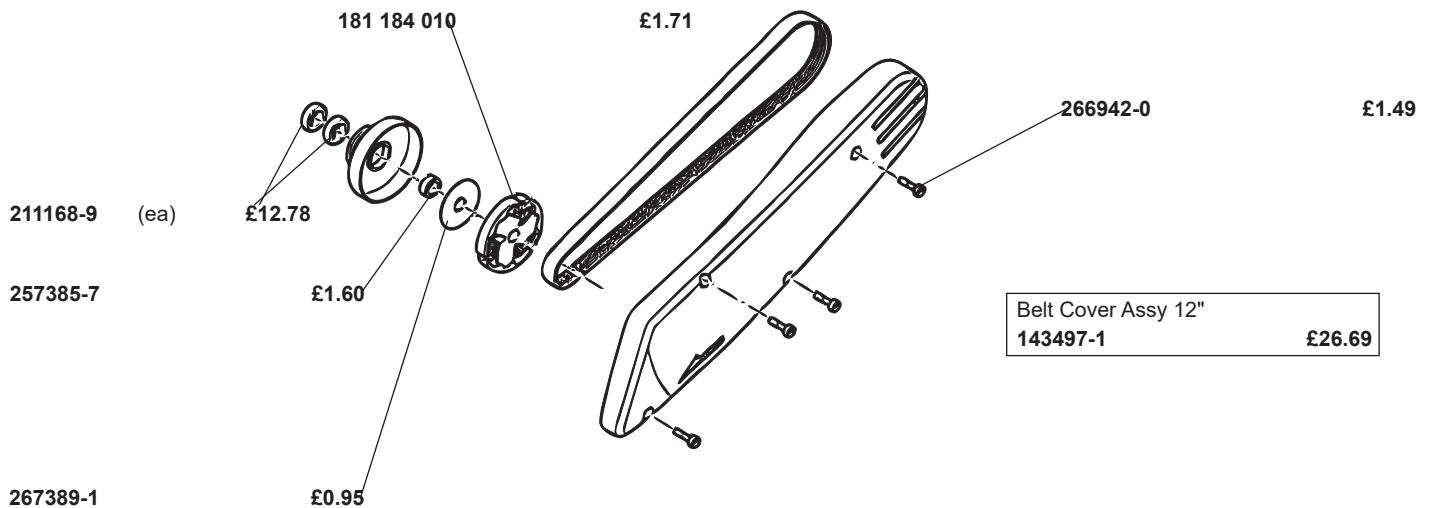
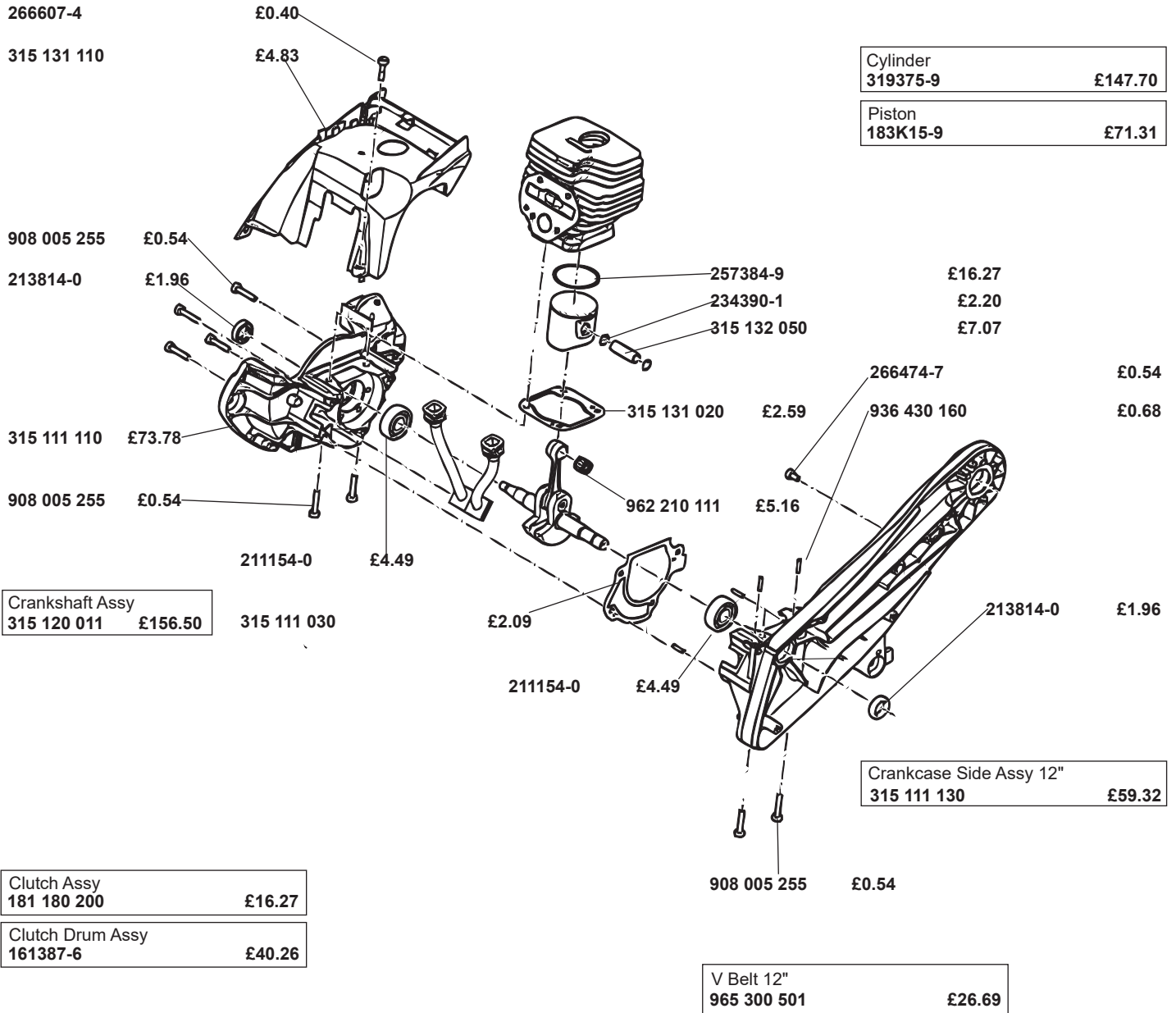
Makita EK6100 Air Filter



Makita EK6100 Carburettor & Exhaust



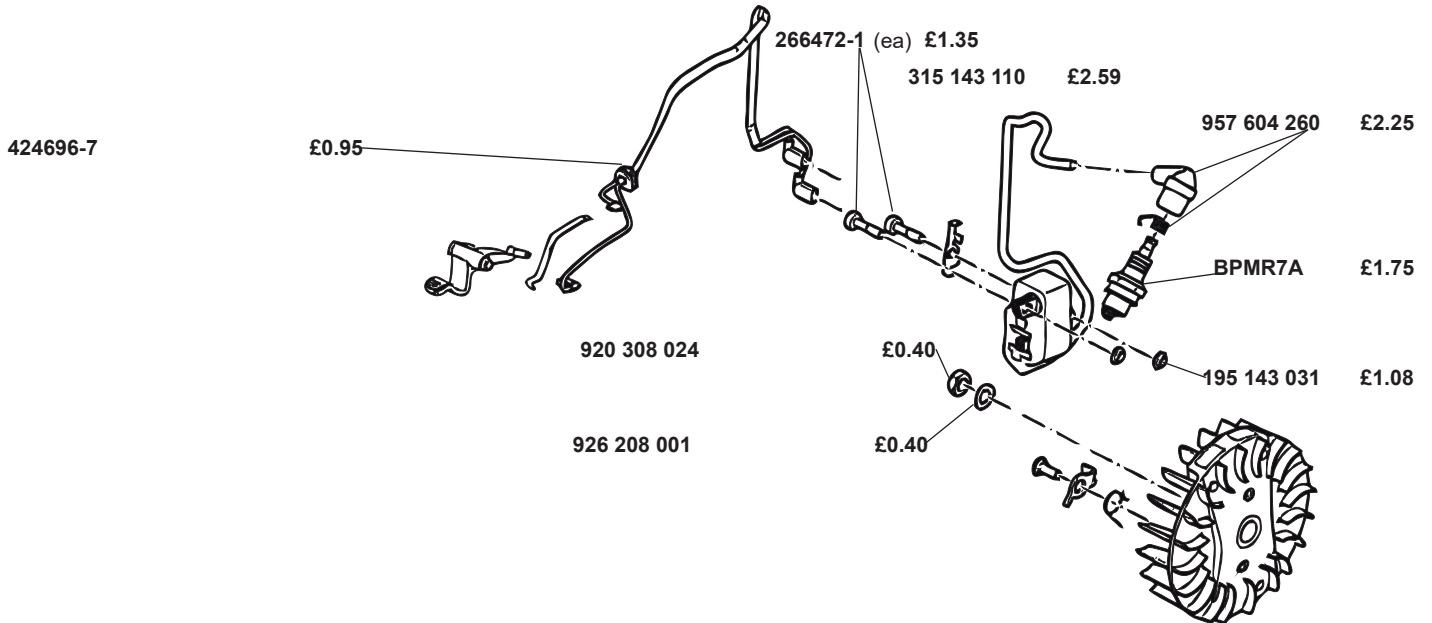
Makita EK6100 Crankcase, Cylinder & Clutch



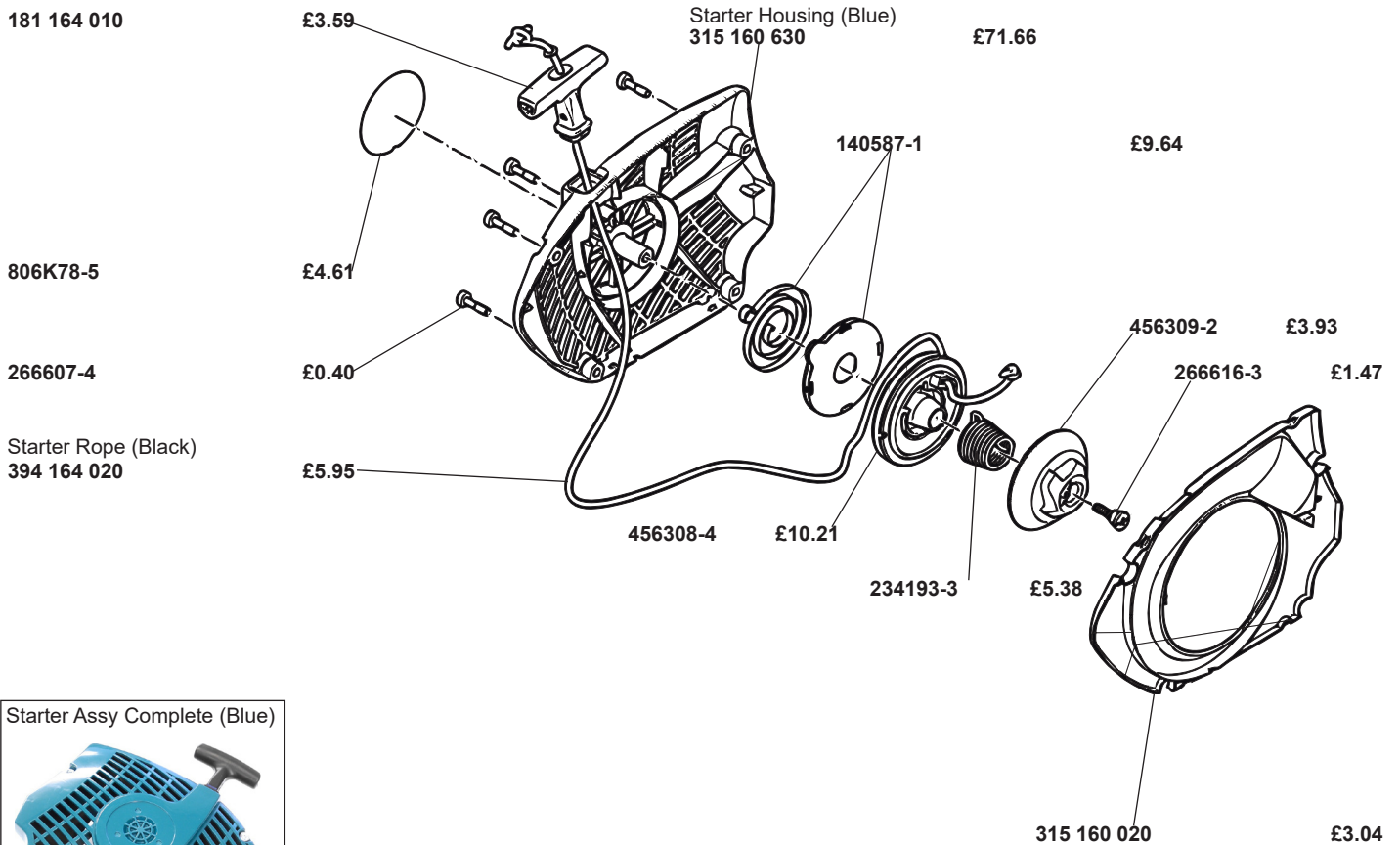
Makita EK6100 Ignition System & Recoil Starter

Short - Circuit Cable
315 147 010 £12.01

Ignition Coil Assy
123479-9 £63.58



Fly Wheel Assy
315 141 100 £26.13



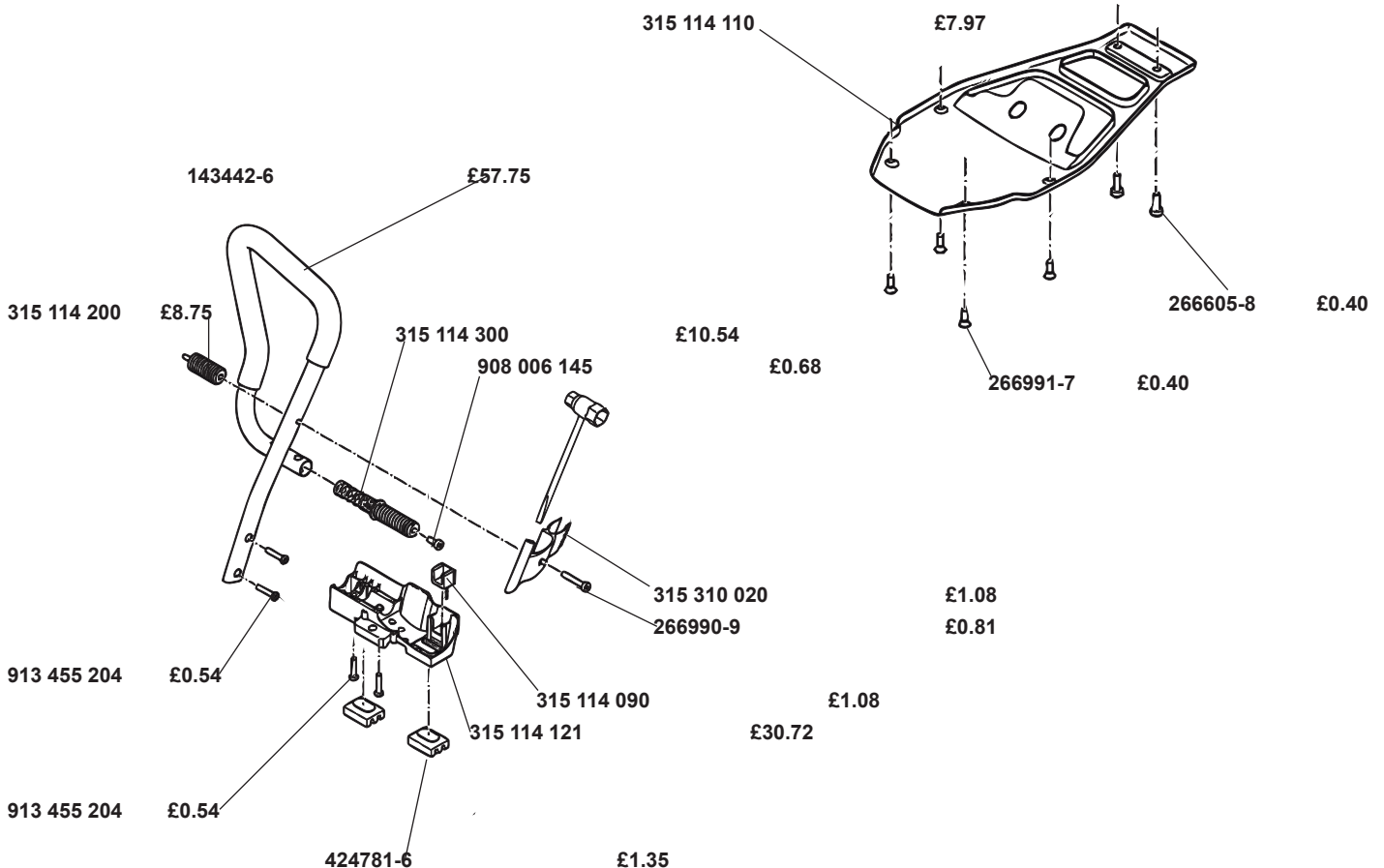
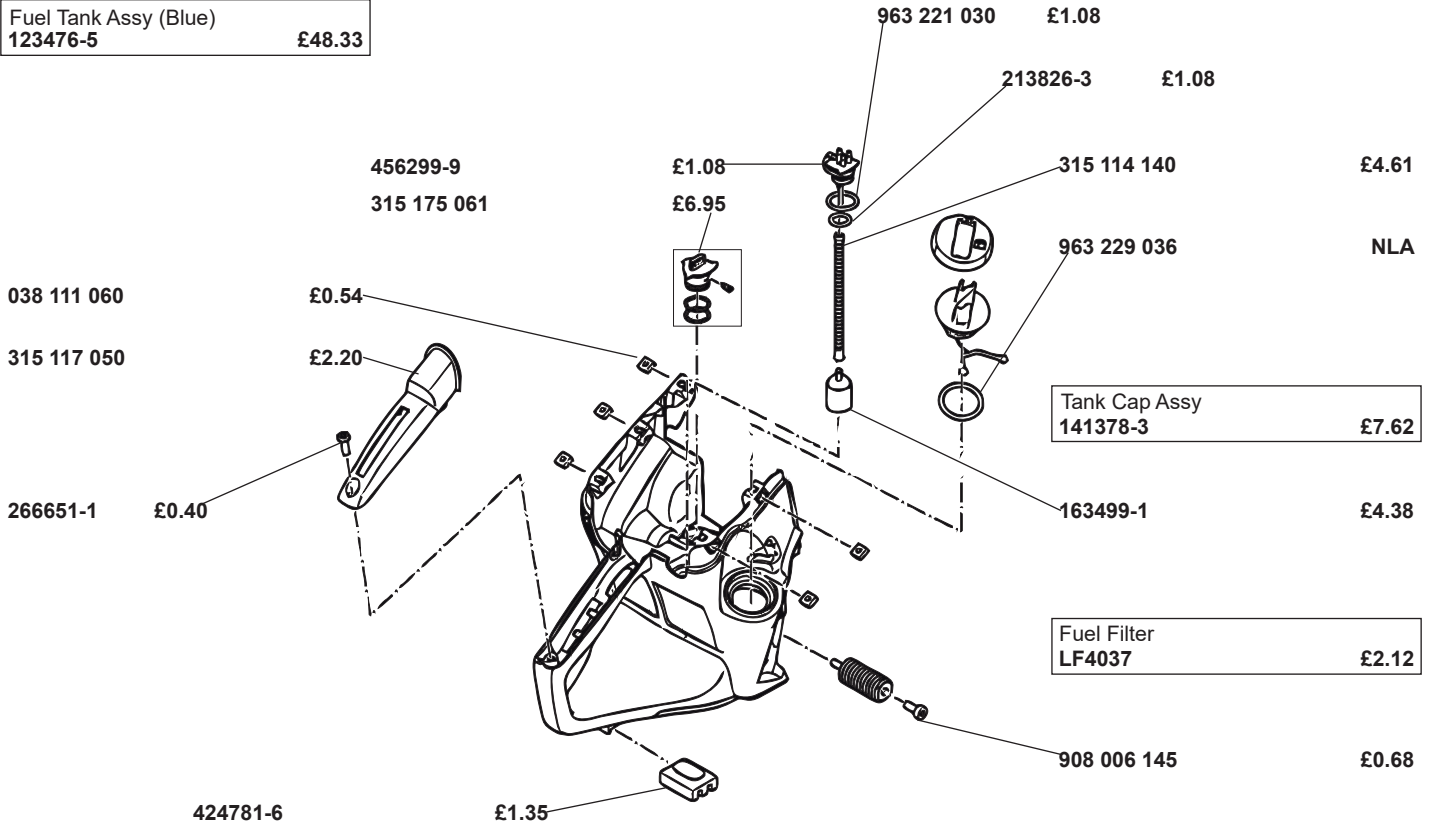
Starter Assy Complete (Blue)



143454-9 £43.63

Makita EK6100 Tank Housing

Fuel Tank Assy (Blue)
123476-5 £48.33



Makita EK6100 Blade Guard & Cutting Head

Water Attachment Kit
957 341 040 £26.51

Caution Label
300/20/80
980 115 666 £0.40

Protection Hood Assy 12"
143458-1 £78.18

Protection Hood Mount Assy
957 342 030 £6.62

Makita Tool Kit
957 004 002 £15.82

319370-9 £7.62
994 280 250 NLA

234389-6 £1.84
319370-9 £7.62

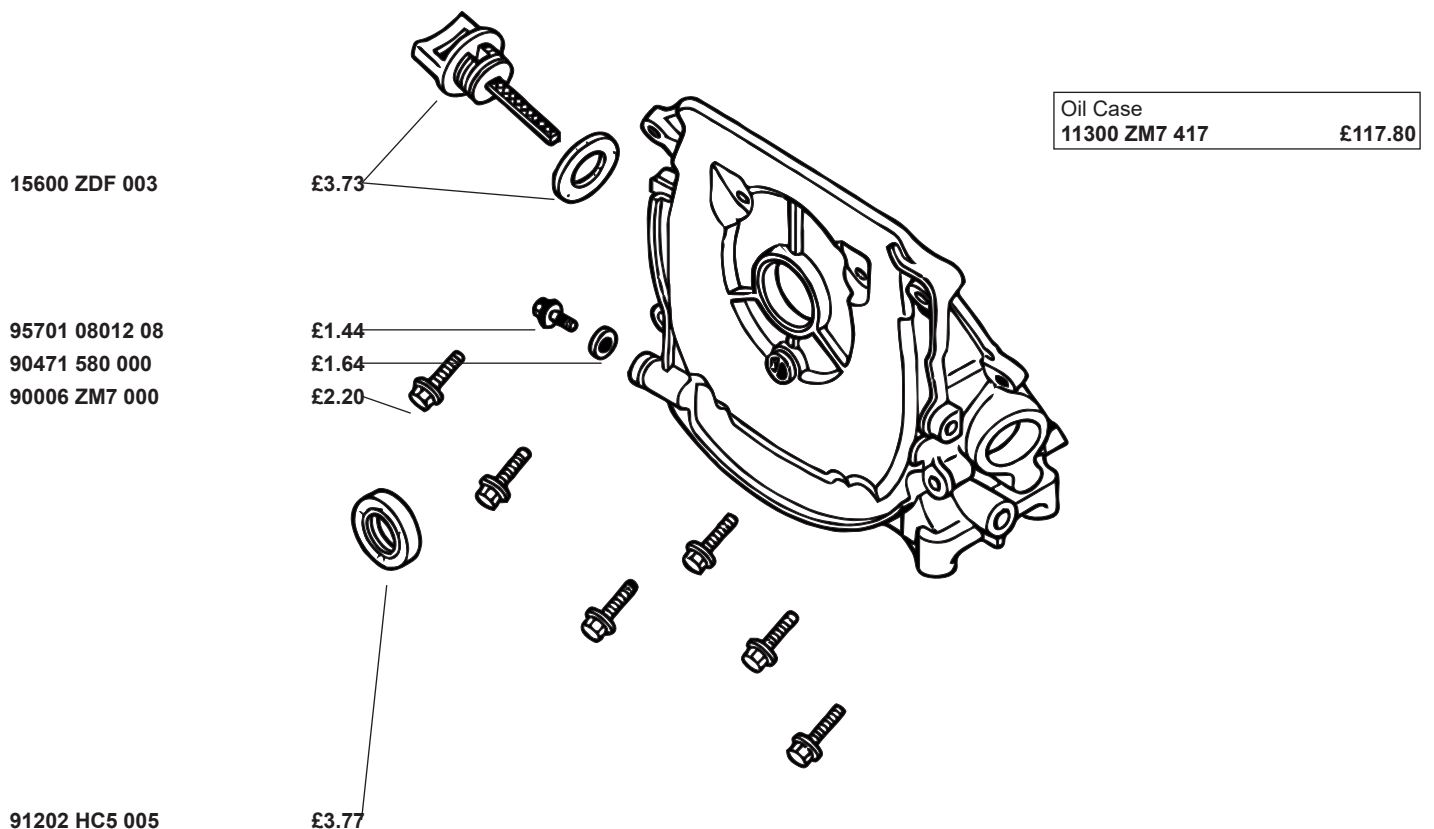
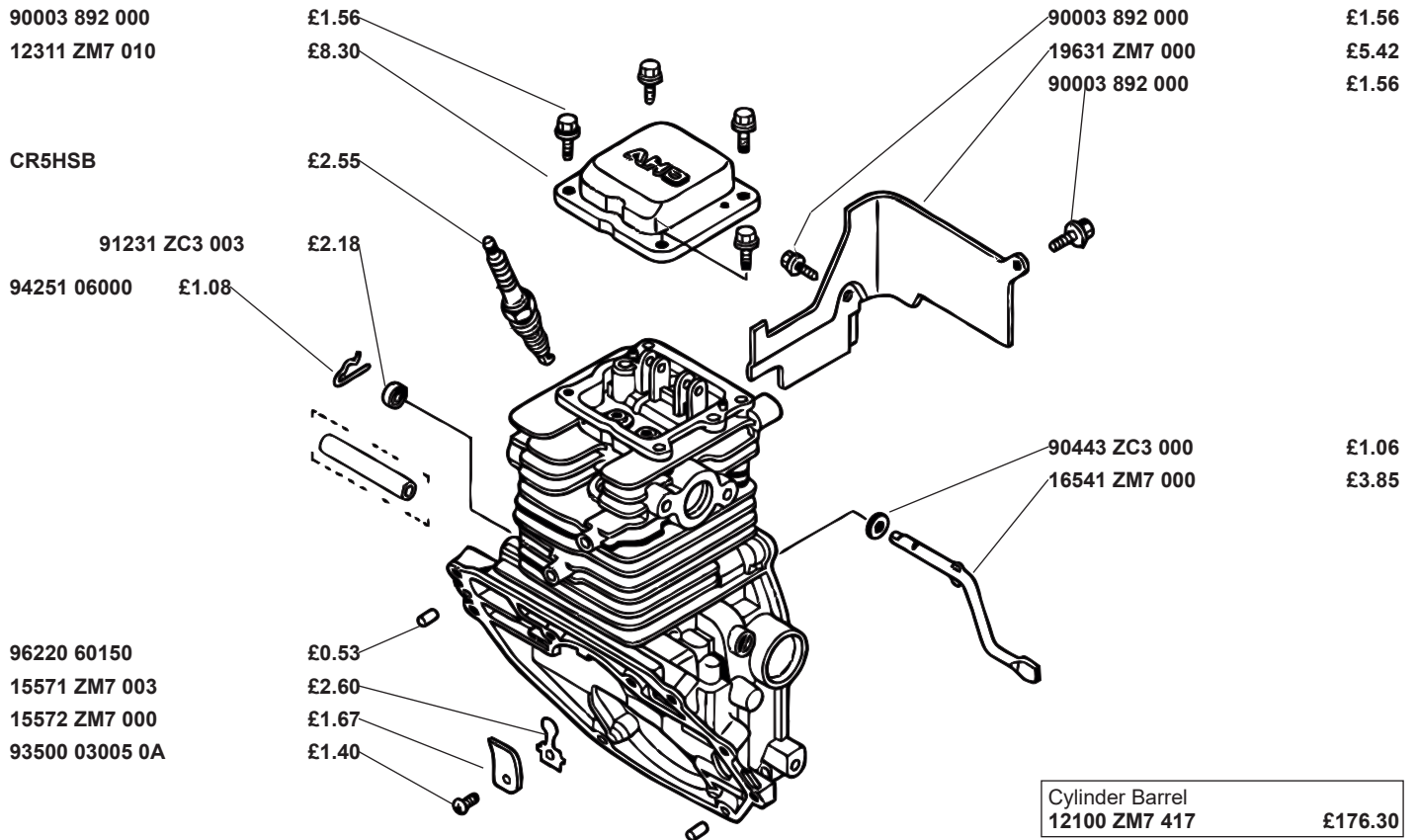
266986-0 £0.54
315 342 010 £3.93
315 342 030 £1.35
424794-7 £2.81

424793-9 £2.81

315 228 030 £23.77
211137-0 £3.59
257386-5 £1.47
234388-8 £0.54
211137-0 £3.59

315 221 040 £1.71
Belt Pully 12"
315 221 021 £39.92
315 221 030 £5.38
920 308 024 £0.40
926 208 001 £0.40

GXH50 - Cylinder Barrel & Oil Case



Honda GXH50 - Crankcase Cover & Crankshaft

Crankcase Cover
11340 ZM7 V30 £54.93

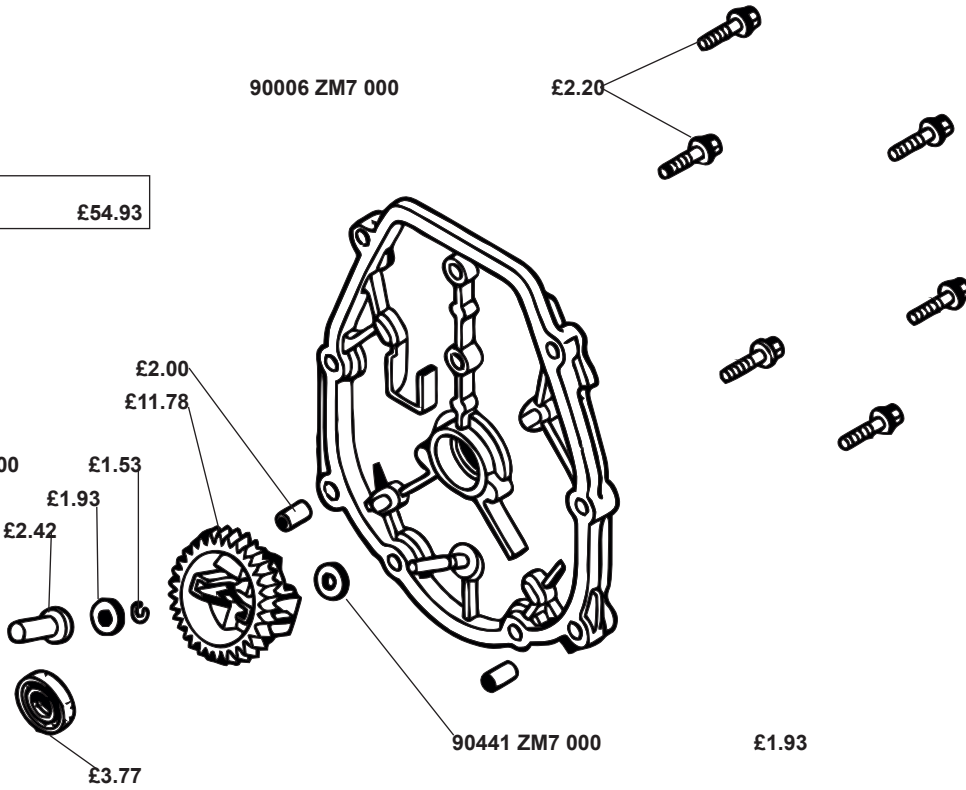
94301 06100 £2.00
16510 ZM7 000 £11.78

90602 ZM7 000 £1.53
90441 ZM7 000 £1.93
16531 ZM7 000 £2.42

91202 HC5 005 £3.77

90006 ZM7 000

£2.20

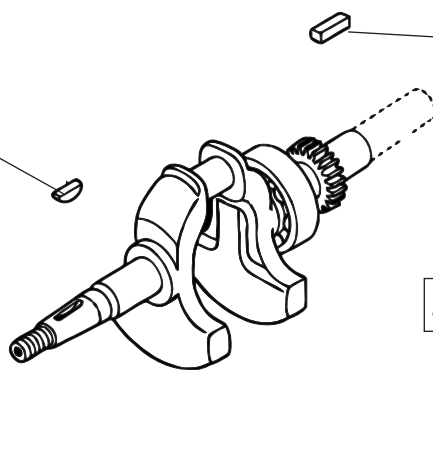


13331 ZM7 000

£3.17

96100 62030 00

£12.48



90741 959 000

£3.52

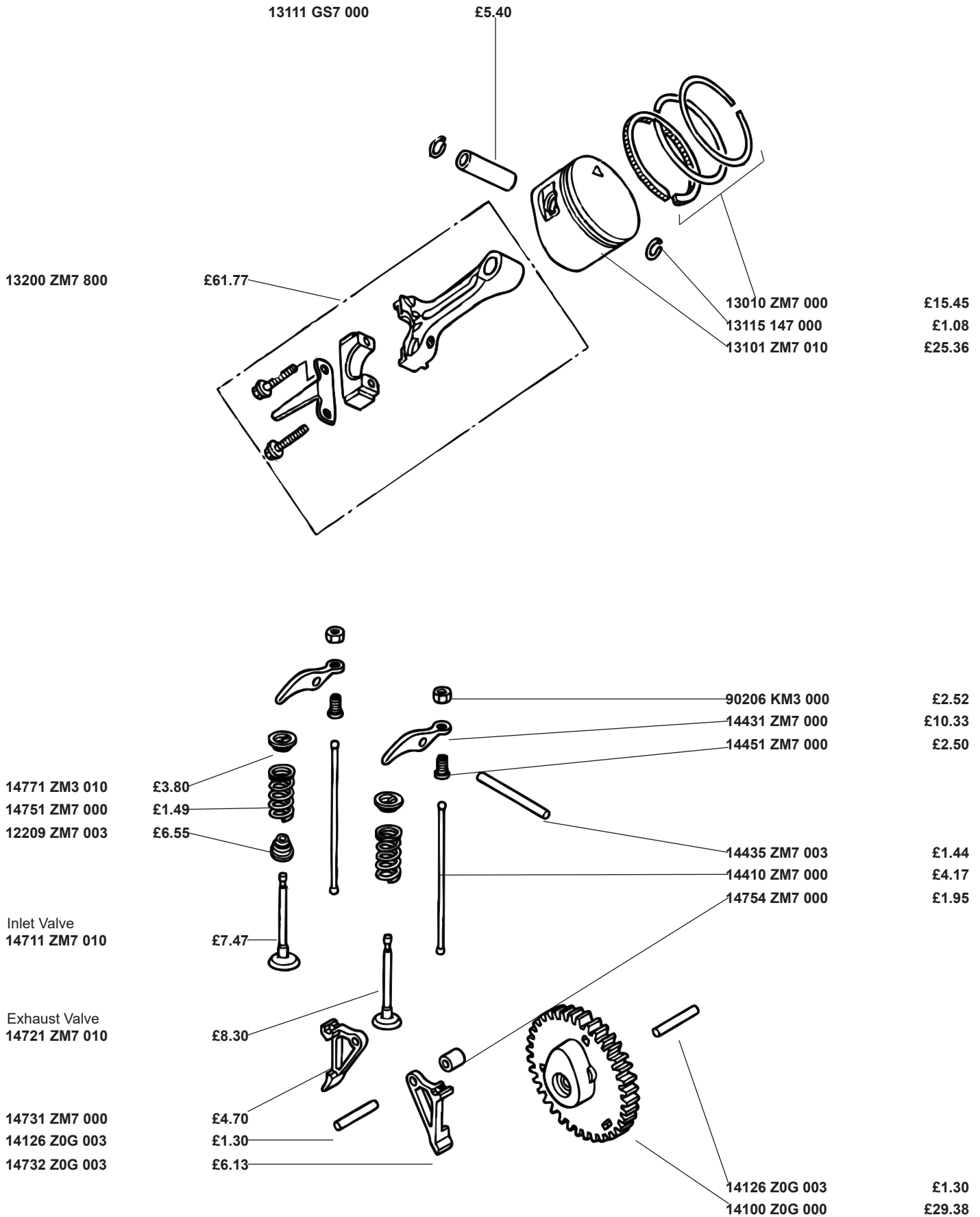
Crankshaft (Mixer)
13310 ZM7 V31 £156.30



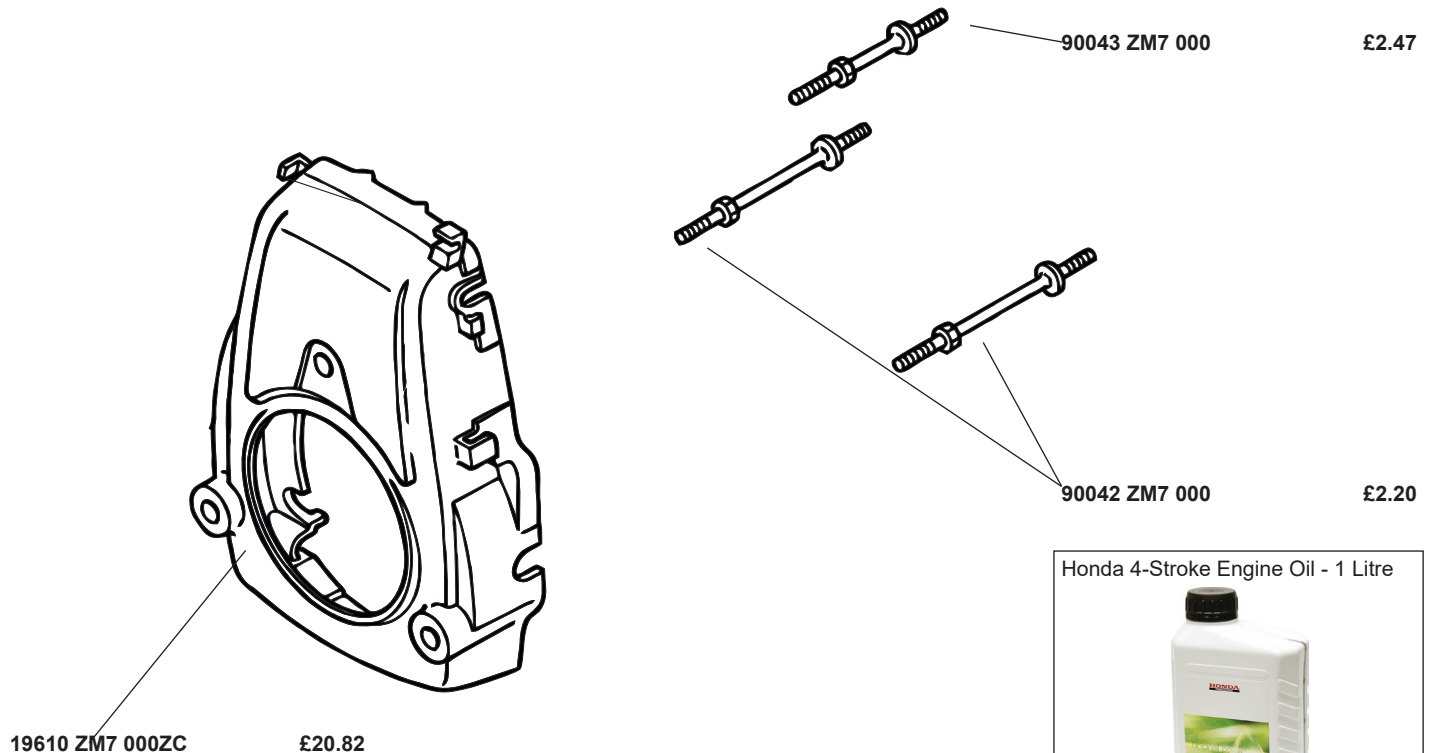
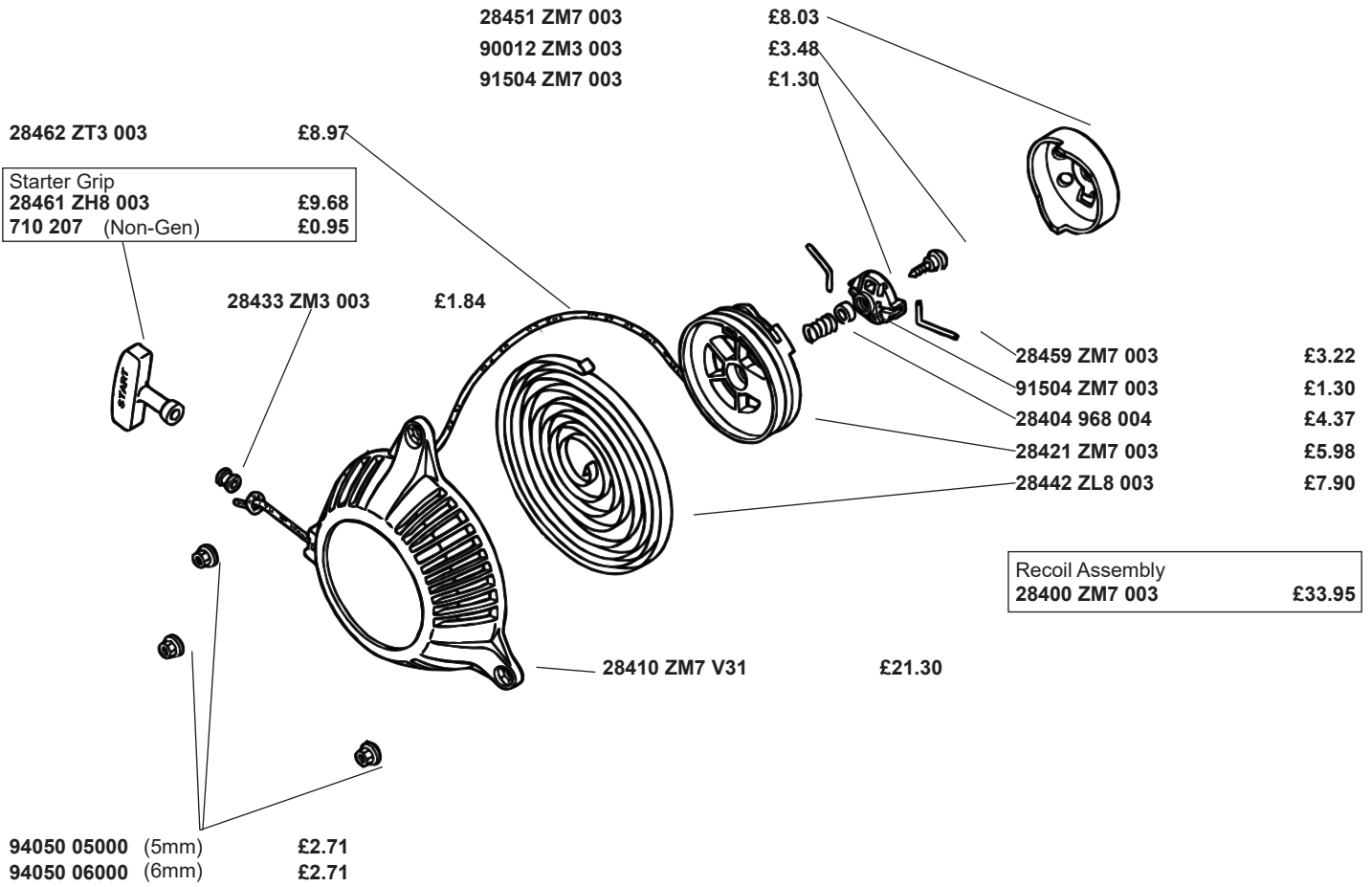
TB1207B

£25.83

Honda GXH50 - Piston & Camshaft



Honda GXH50 - Recoil Starter & Fan Cover



Honda GXH50 - Carburettor & Air Cleaner

16212 ZM7 000 £1.56

99101 ZG0 0500 £9.10

16044 ZM7 003 £27.17

93500 03006 1H £1.39

16954 ZE1 812 £5.68

16956 ZE1 811 £2.64

16953 ZG0 812 £16.88

16957 ZE1 812 £3.53

16211 ZM7 000 £7.35

16221 ZG0 801 £1.87

16016 ZE0 005 £10.45

16124 ZE0 005 £9.97

17228 ZM7 000 £2.11

16220 ZM7 V30 Metal Spacer (Mixer) £8.08

16011 ZE0 005 £24.20

16013 ZG0 811 £26.28

16016 ZH7 W01 £16.38

16166 ZM7 003 £18.72

Float Chamber Set 16015 ZM7 003 £52.73

Main Jet	
99101 ZG0 0480 #48	£7.83
99101 ZG0 0500 #50	£9.10
99101 ZG0 0520 #52	£9.10

16024 ZB9 005 £13.02

Carb Seal Kit 16010 ZM7 003	
£13.07	

16028 ZW6 611 £12.08

95003 05010 31 NLA

Carburettor Assy	
16100 ZM7 V31 (Mixer)	£72.12
16100 ZM7 806 (Standard)	£72.12
710 103 (Non-Gen)	£21.00

Air Cleaner Assy	
710 150 (Non-Gen)	£9.25

17228 Z0G 000 £4.13

95005 70075 30 NLA

17230 ZM7 010 £13.30

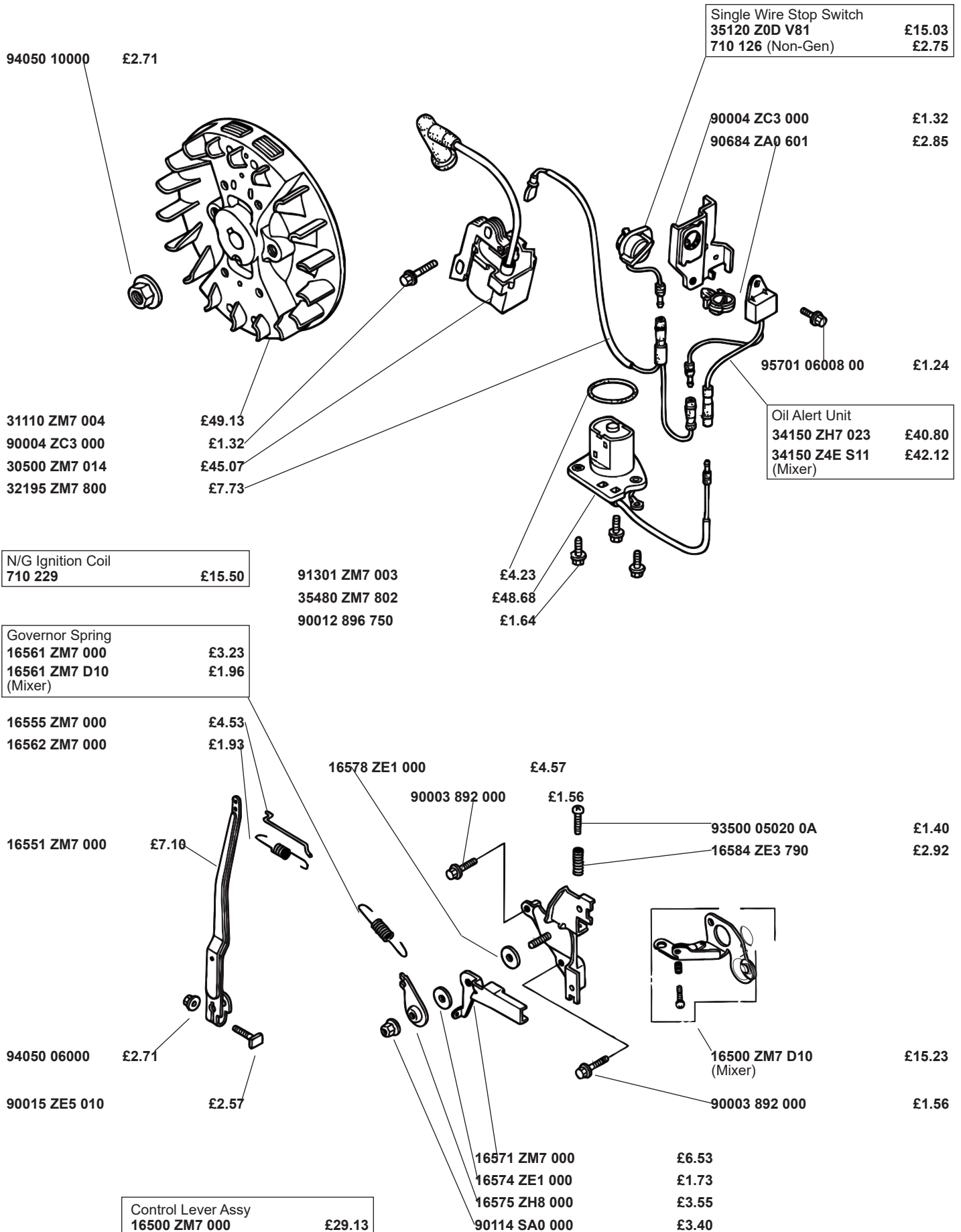
17220 ZM7 010 £11.25

90004 ZM7 V30 £2.20

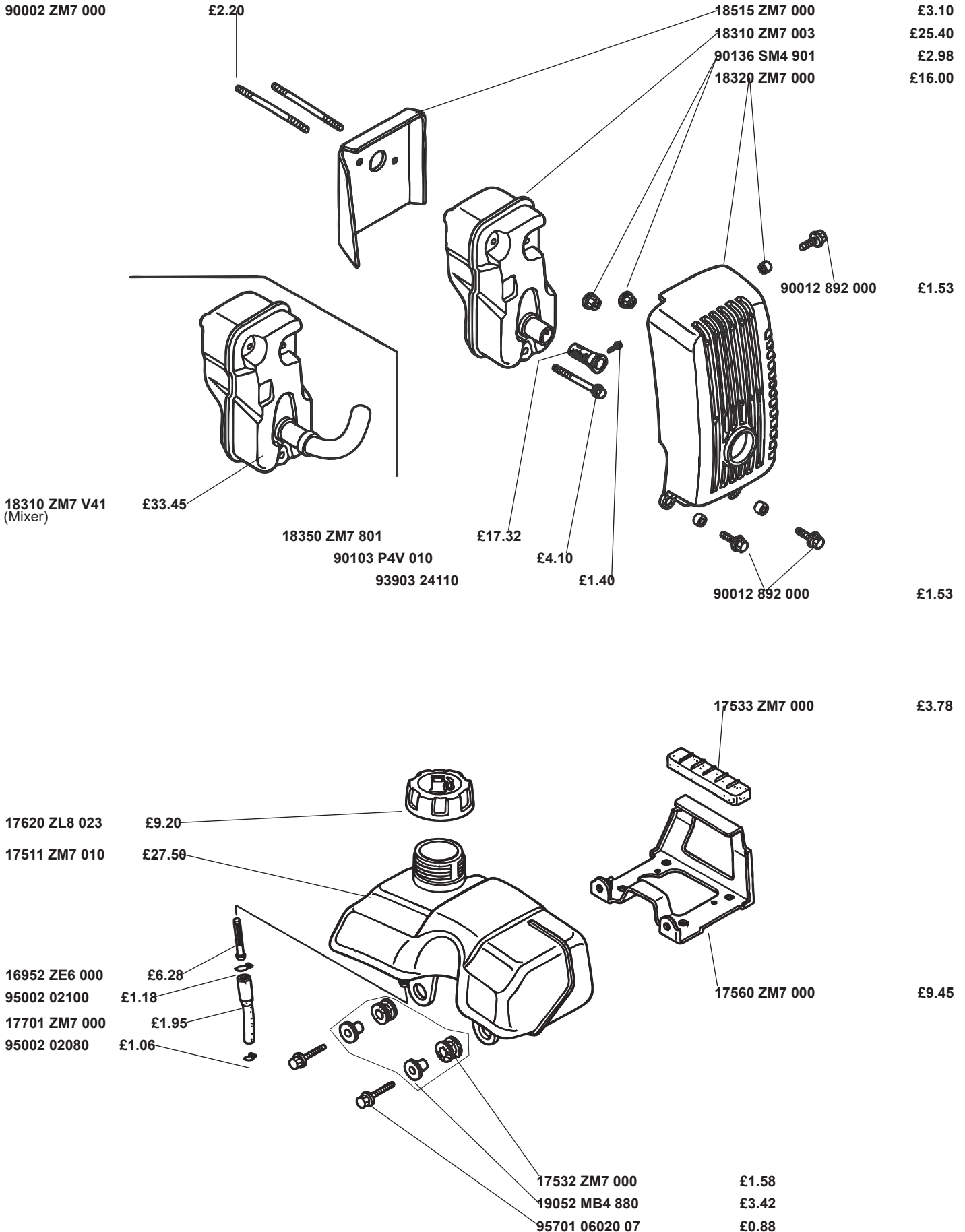
17211 ZM7 000 £5.22

17227 ZM7 000 £4.13

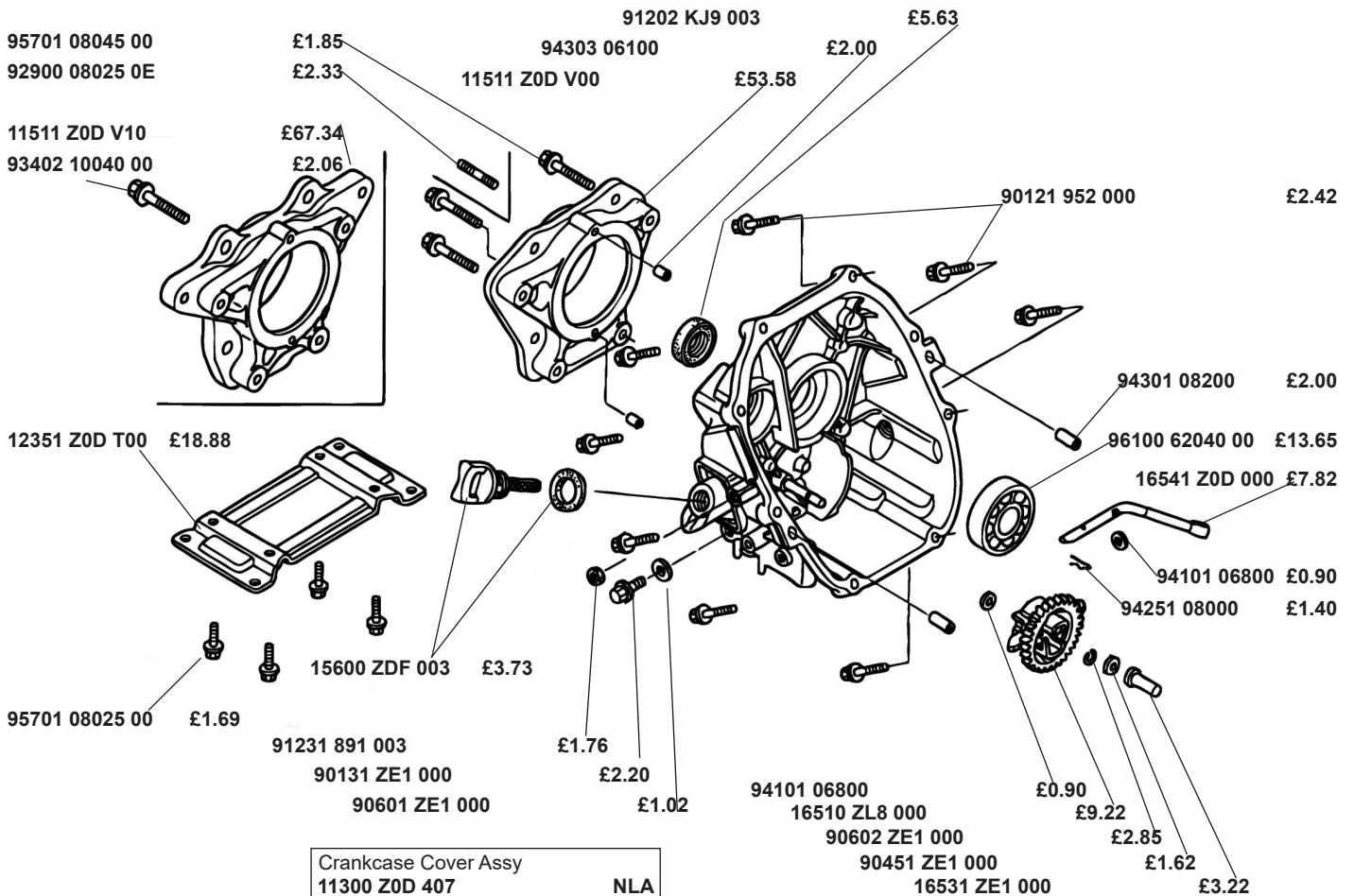
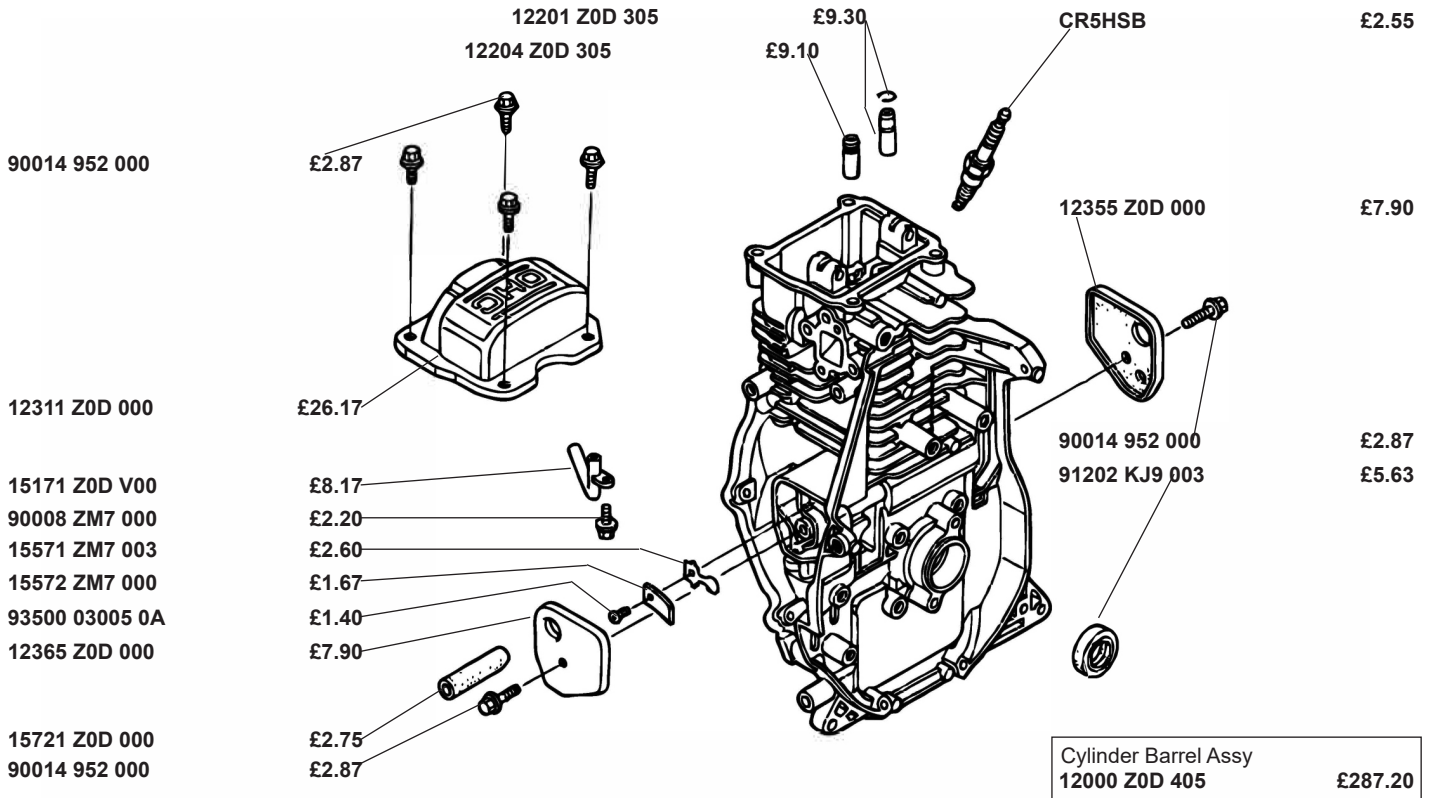
Honda GXH50 - Ignition System & Throttle Control



Honda GXH50 - Exhaust & Fuel Tank



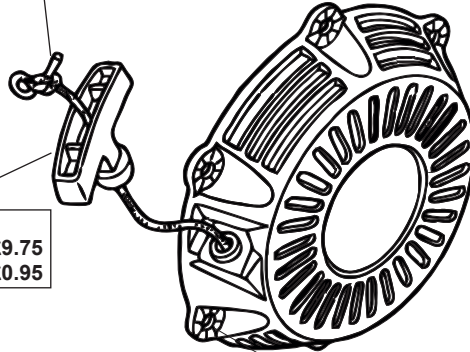
Honda GX100 - Cylinder Barrel & Crankcase Cover



Honda GX100 - Recoil Starter

28462 Z0D 003

£6.75



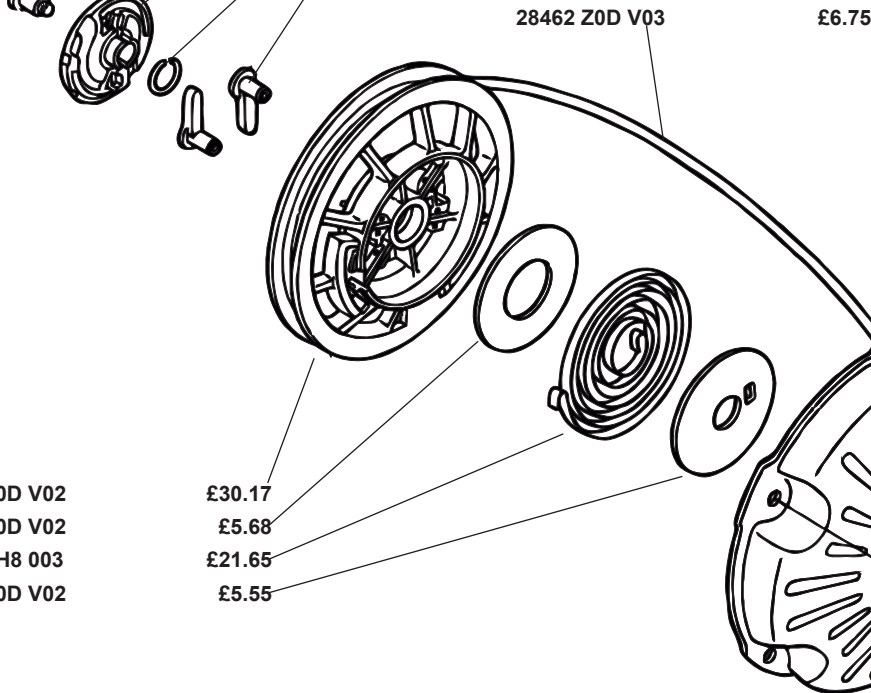
Starter Grip	
28461 Z0D 013	£9.75
710 207 (Non-Gen)	£0.95

Plastic Recoil Assy (Non Rammer)	
28400 Z0D 013ZC	£46.00

90002 Z0D 000	£2.70
---------------	-------

90003 ZH8 003	£5.83
28433 ZG0 W02	£6.18
28441 ZW6 003	£3.65
28422 ZG0 W02	£9.22

Starter Grip	
28461 ZH8 003	£9.68
710 207 (Non-Gen)	£0.95



28421 Z0D V02	£30.17
28467 Z0D V02	£5.68
28442 ZH8 003	£21.65
28468 Z0D V02	£5.55

£30.17
£5.68
£21.65
£5.55

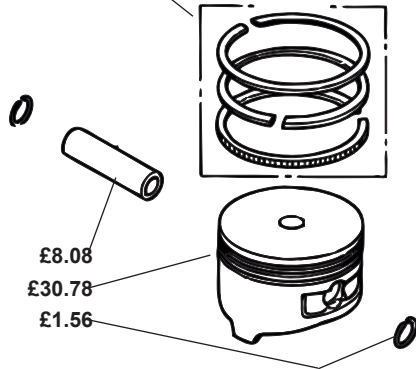
Metal Recoil Assy (Rammer)	
28400 Z0D V04ZC	£91.10
710 170 (Non-Gen)	£13.50

95701 06008 00	£1.24
28410 Z0D V02ZC (Cover Only)	£80.60

Honda GX100 - Piston & Camshaft

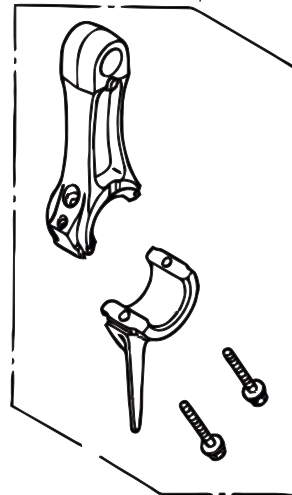
Piston Ring Set
13010 ZOD 003 £29.17
710 119 (Non-Gen) £6.50

13111 ZE0 000
13101 ZOD 000
90551 ZE0 000

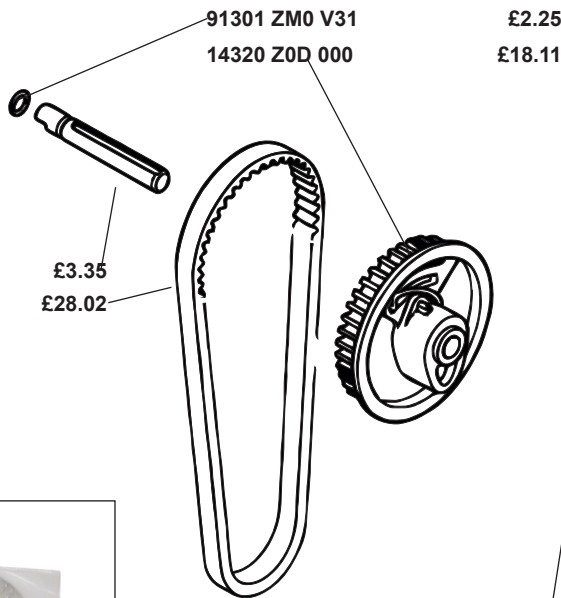


Non Gen Piston Assy
710 120 £15.00

Con Rod Assy
13200 ZOD 000 £53.92
710 118 (Non-Gen) £15.50

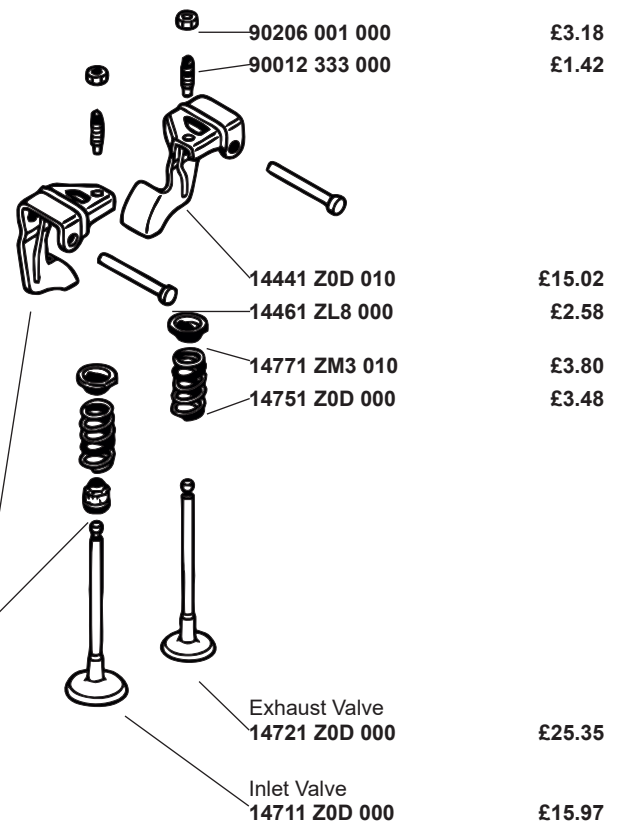


14324 ZOD 000
14400 ZOD 003



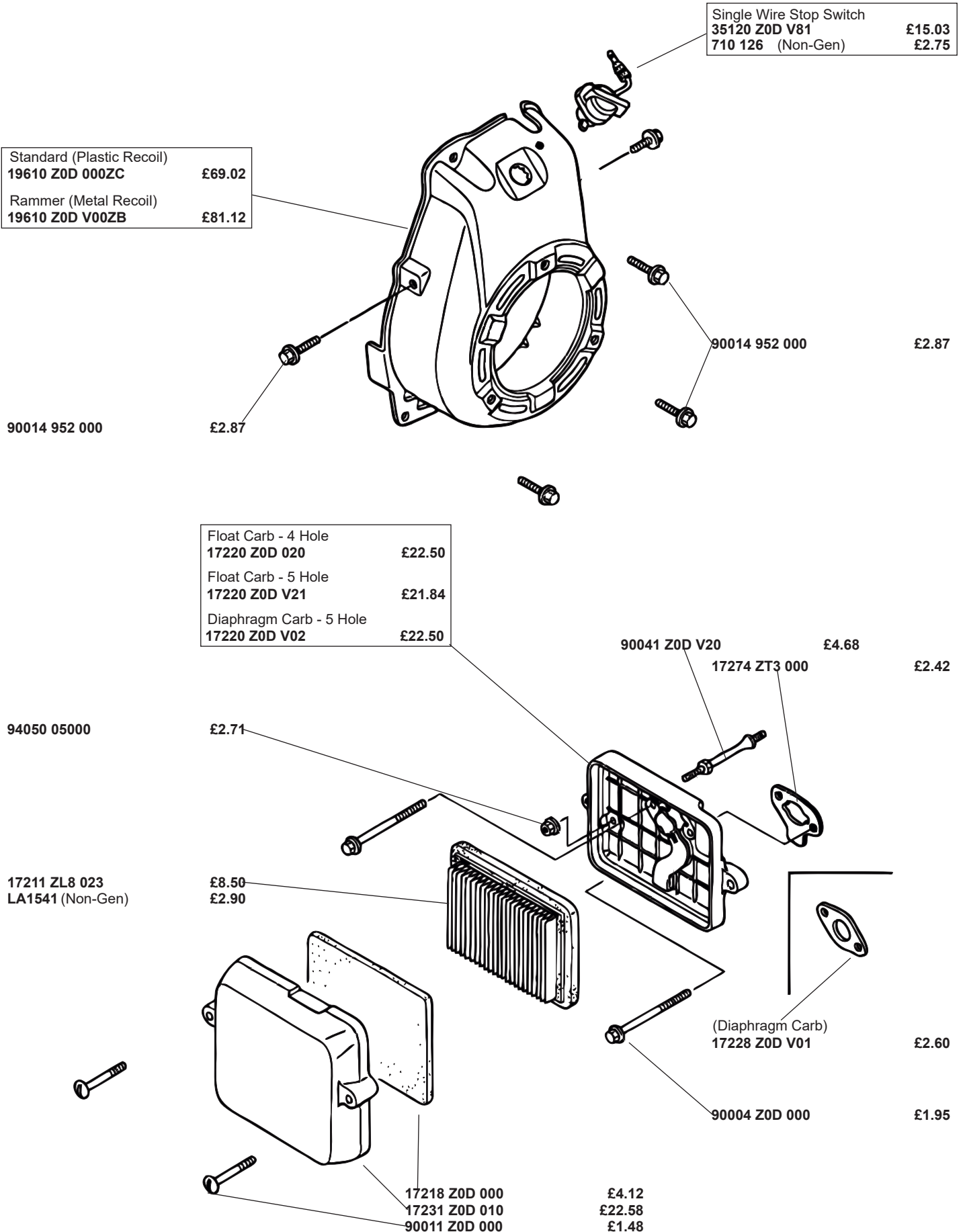
14431 ZOD 010
12209 KT7 013

£15.02
£9.15



Exhaust Valve
14721 ZOD 000 £25.35
Inlet Valve
14711 ZOD 000 £15.97

Honda GX100 - Fan Cover & Air Filter

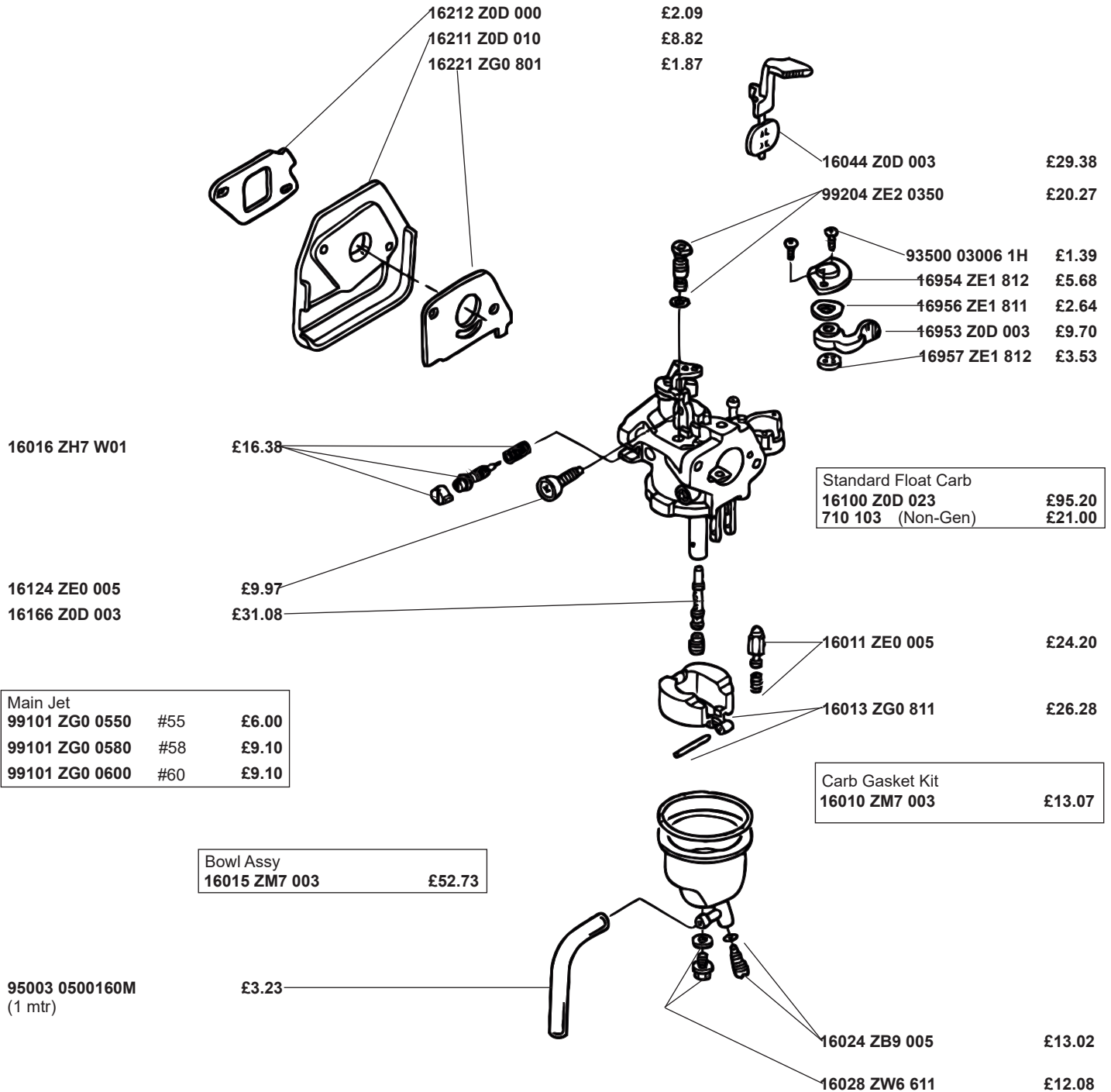


Honda GX100 - Exhaust & Fuel Tank

For rammer exhaust please contact us

18381 Z0D 000	£10.30
18310 ZM0 010	£18.60
18356 ZL8 000	£3.35
90004 ZL8 000	£1.76
18320 Z0M 781	£16.82
90055 ZE1 000	£1.46
18430 ZL8 000	£14.07
90055 ZE1 000	£1.46
18350 ZL8 000	£29.85
90014 952 000	£2.87
18348 ZL8 000	£10.88
90055 ZE1 000	£1.46
17620 Z8B 800	£7.43
17533 ZM7 000	£3.78
90014 952 000	£2.87
17620 ZL8 023	£9.20
17511 ZM7 010	£27.50
90343 ZE6 000	£2.82
19052 MB4 880	£3.42
90510 KY1 000	£1.96
17532 Z0D T00	£1.69
17561 Z0D 000	£6.40
90014 952 000	£2.87
17566 Z0D 010	£7.67
17566 Z0D T02	£8.93
95002 41050 08	£1.56
17701 Z0D 000	£2.42
95002 40800 08	£1.48
95002 02080	£1.06
90201 ZM0 000	£2.82
30507 441 000	£3.77
17532 ZM7 000	£1.58
95002 02100	£1.18
16952 ZE6 000	£6.28

Honda GX100 - Carburettor



Walbro Diaphragm Carb
16100 Z0D V76 £150.60
Diaphragm Carb (Non-Gen)
710 166 £25.90
Carb Repair Kit
710 155 £13.07

Fitted on BOMAG Rammers

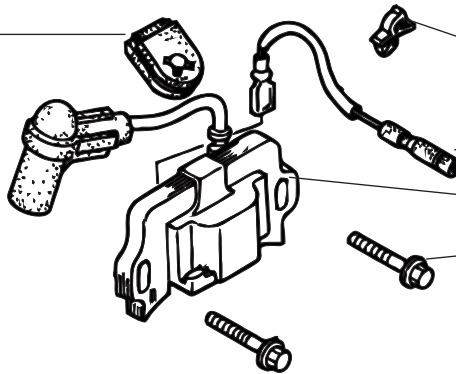
Liquid Gasket - 100ml

ThreeBond 1207B £25.83

Honda GX100 - Ignition System & Throttle Control

30564 ZA5 000

£4.00



30701 883 000

£2.85

32195 Z0D 000

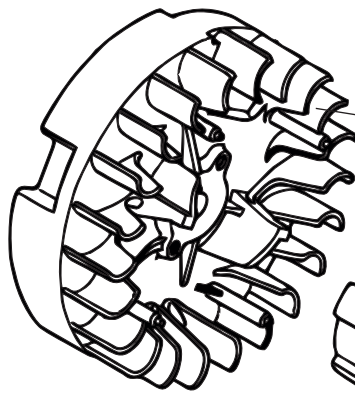
£5.23

30500 Z0D 023

£77.43

90022 888 010

£2.29



31110 Z0D 003

£116.50

13331 ZM7 000

£3.17



£35.60

(For Rammer with Metal Recoil)

28451 Z0D V03

£12.77

90531 011 010

£2.52

94050 12000

£2.71

Control Assy
16500 Z0D T00

£37.17

16551 Z0D 010

£14.48

16555 Z0D 000

£3.08

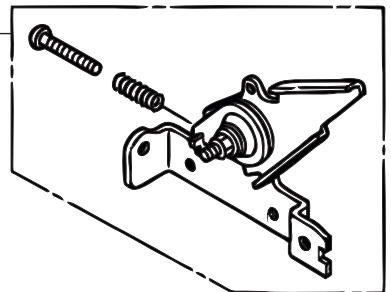
Throttle Spring

16562 Z0D V00 (Rammer) £2.62

16562 Z0D 010 (Standard) £2.62

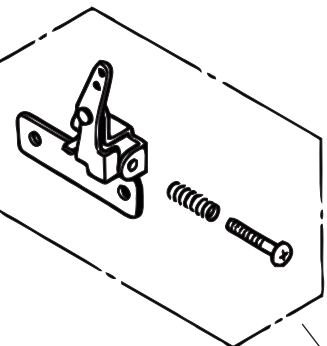
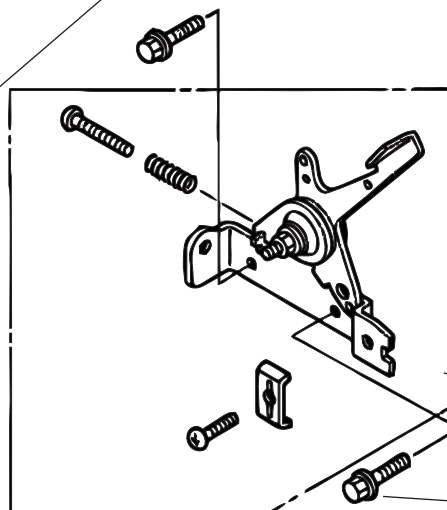
16561 Z0D 000

£3.23



94050 06000 £2.71

90015 ZE5 010 £2.57



Control Assy
16570 ZG0 800

£23.93

Control Assy (Standard)
16570 ZG0 W00

£36.12

90014 952 000

£2.87

Honda GX120 - Cylinder Head & Camshaft

BPR6ES
95701 08055 00
12391 ZE1 000

£1.60
£2.00
£4.13

90013 883 000 £3.33
12310 ZE1 020 £19.08
15721 ZH8 000 £2.73
95002 80000 £0.98

Cylinder Head *
12210 ZH7 415 £157.50

* Also available c/w valves
Please contact us for details

90047 ZE1 000 £2.70
12251 ZH7 800 £7.98
94301 10160 £2.73

90043 ZE1 020 £5.55

Inlet Valve Guide Assy
12204 ZE1 306 £8.62

Exhaust Valve Guide Assy
12205 ZE1 315 £9.72

Clip Only
12216 ZE5 300 £2.85

Exhaust Valve
14721 ZF0 000 £27.53
710 115 (Non-Gen) £7.72

Inlet Valve
14711 ZF0 010 £15.73
710 116 (Non-Gen) £7.72

Camshaft Assy
14100 ZE0 812 £157.50

14751 ZF1 000 £3.32

Exhaust Valve Collet
14773 ZE1 000 £7.03

14781 ZE1 000 £5.02

Inlet Valve Collet
14771 ZE1 000 £7.02

12209 ZH8 003 £8.08

14441 ZE1 010 £15.83
14410 ZE0 010 £7.75
14791 ZE0 010 £3.55
90012 ZE0 010 £7.17
14431 ZE1 000 £7.82
14451 Z4M 000 £4.20
90206 ZE1 000 £1.91

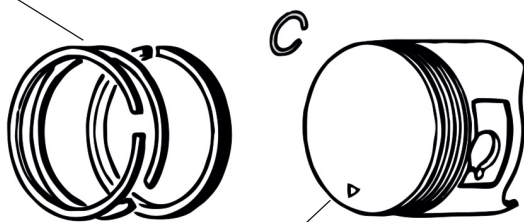
Honda GX120 - Piston & Crankcase Cover

Newer 'UT2' Engines

The latest range of Honda GX engines have many internal and external parts which are not interchangeable with older engines.

Please contact us with your engine serial number when ordering parts for these engines.

Piston Ring Set (not UT2)	
13010 ZE6 013	£31.50
710 187 (Non-Gen)	£5.52

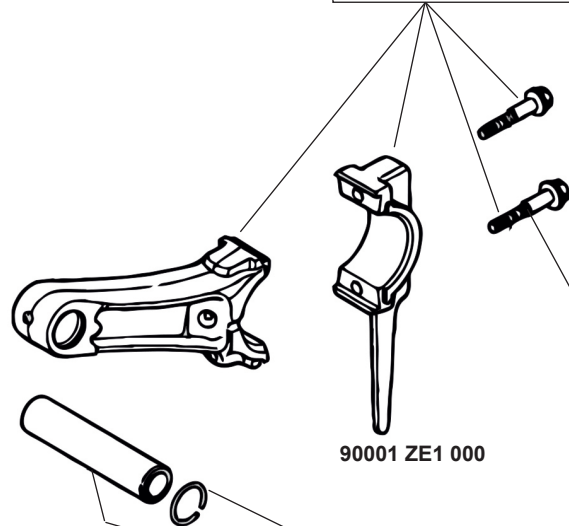


13101 ZH7 010
(s/n starting GC01...)

£36.47

Piston Assy (Non Gen) (not UT2) c/w Piston, Rings, Pin & Clips	
710 114	£12.50

Con Rod Assy (not UT2)	
13200 Z4H 900	£76.85
710 181 (Non-Gen)	£9.98



90001 ZE1 000

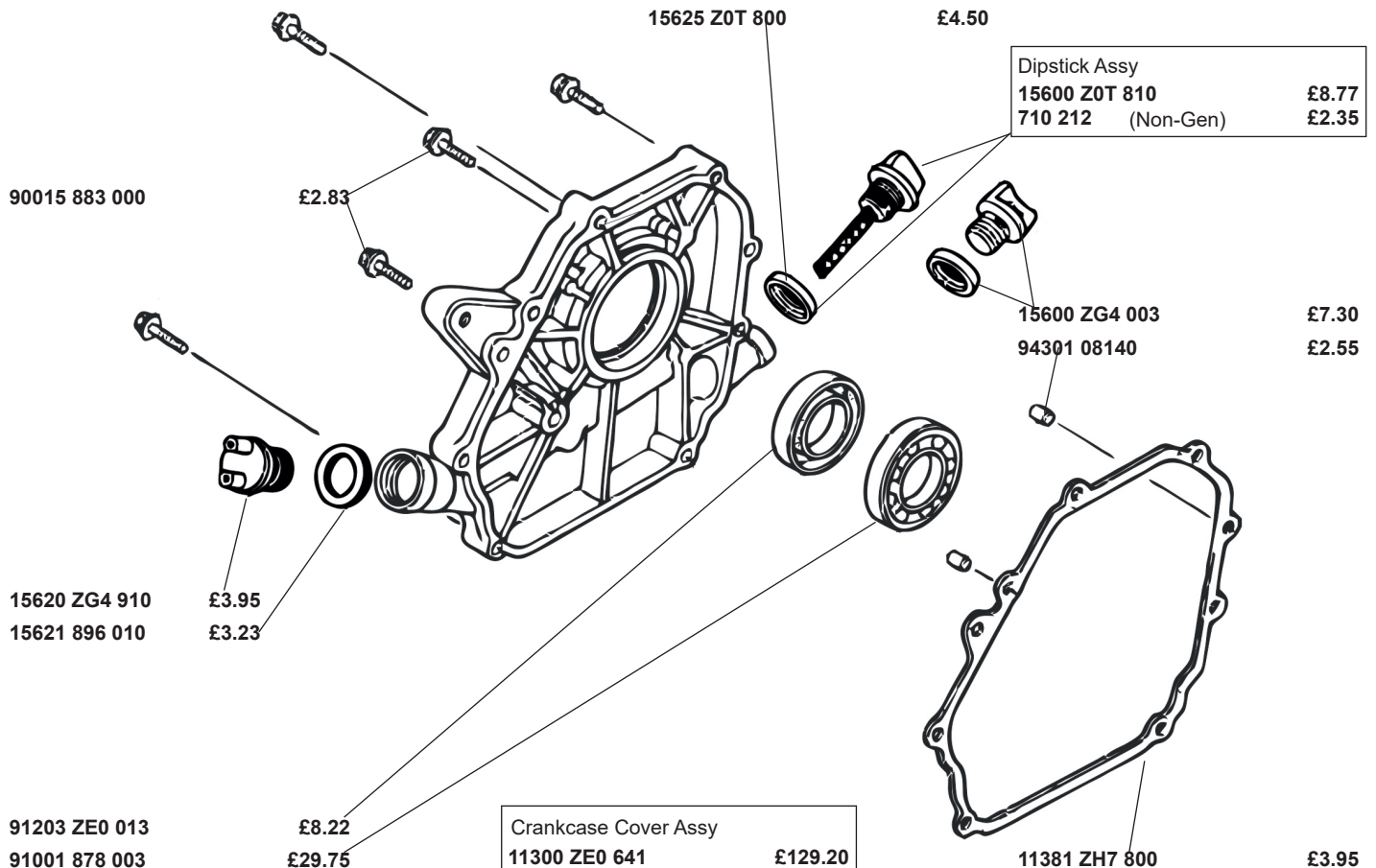
£2.70

90551 ZE0 000

£1.56

13111 ZE0 000

£8.08



90015 883 000

£2.83

15625 Z0T 800

£4.50

Dipstick Assy	
15600 Z0T 810	£8.77
710 212 (Non-Gen)	£2.35

15600 ZG4 003

£7.30

94301 08140

£2.55

15620 ZG4 910

£3.95

15621 896 010

£3.23

91203 ZE0 013

£8.22

91001 878 003

£29.75

Crankcase Cover Assy

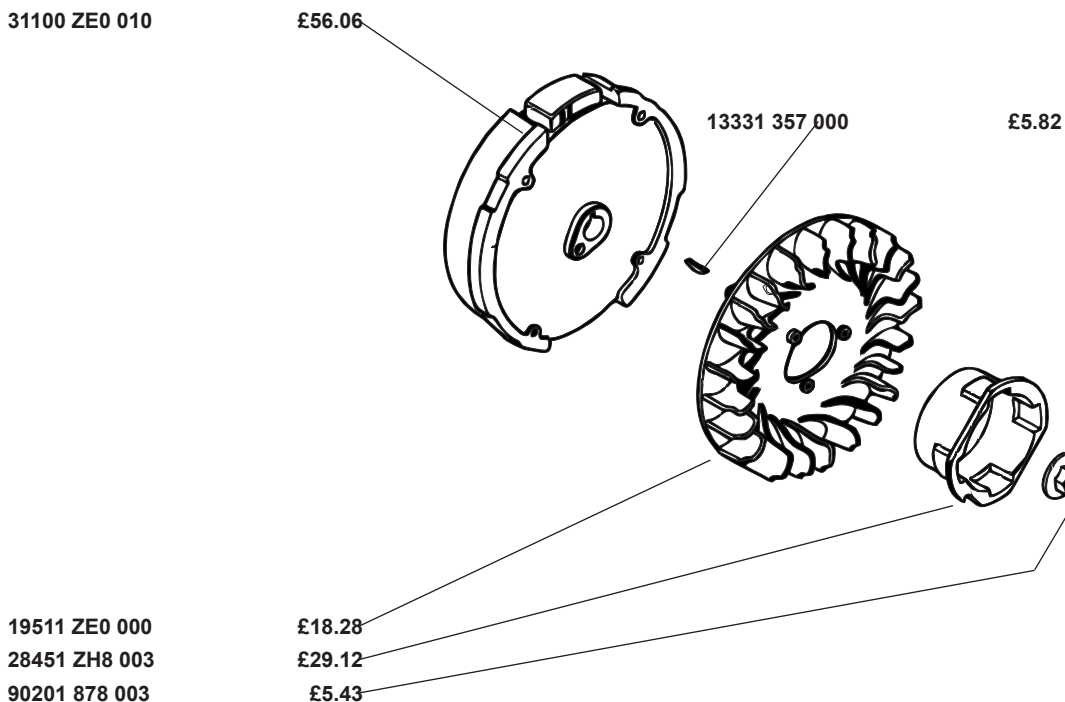
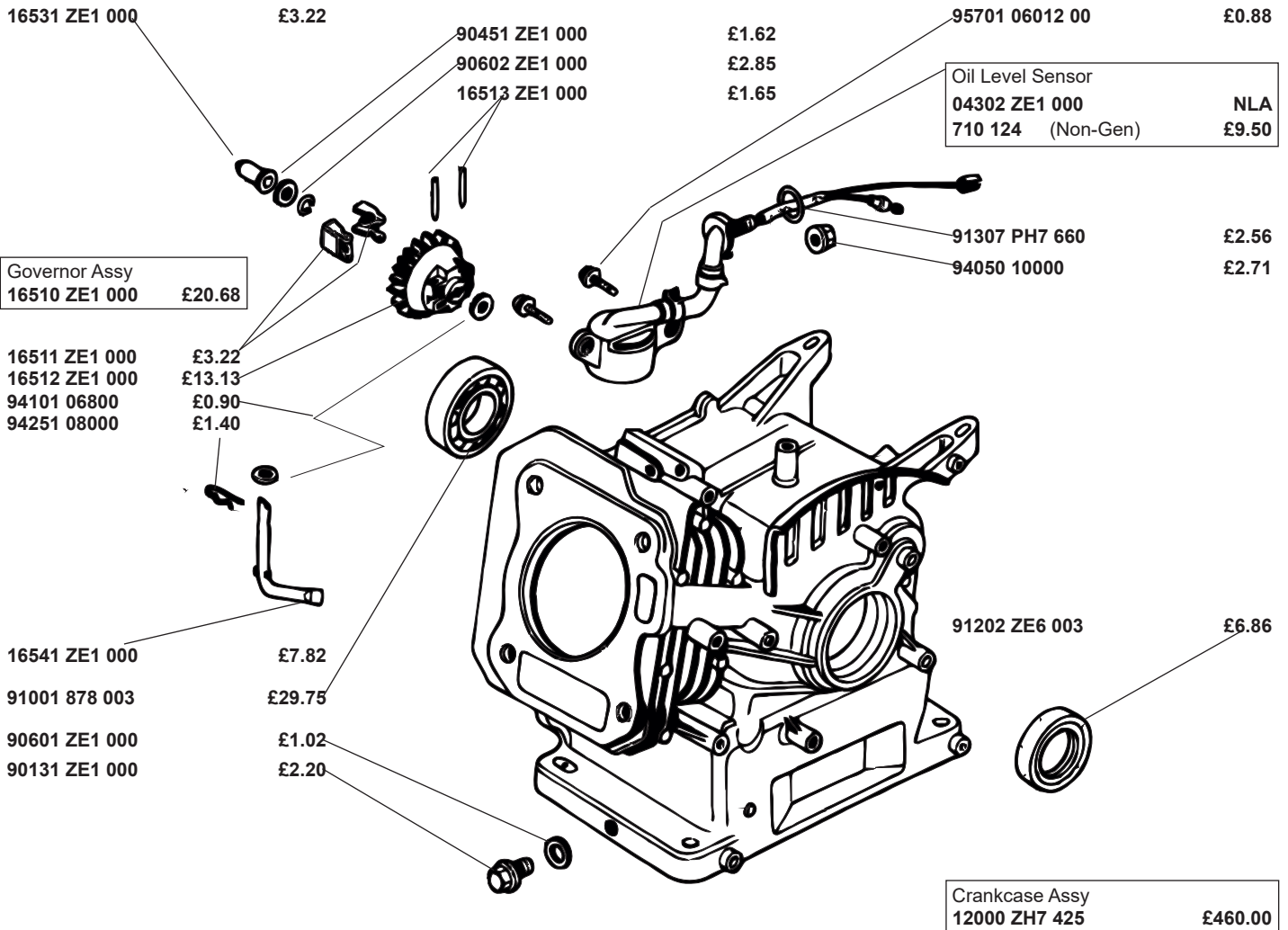
11300 ZE0 641

£129.20

11381 ZH7 800

£3.95

Honda GX120 - Crankcase & Flywheel

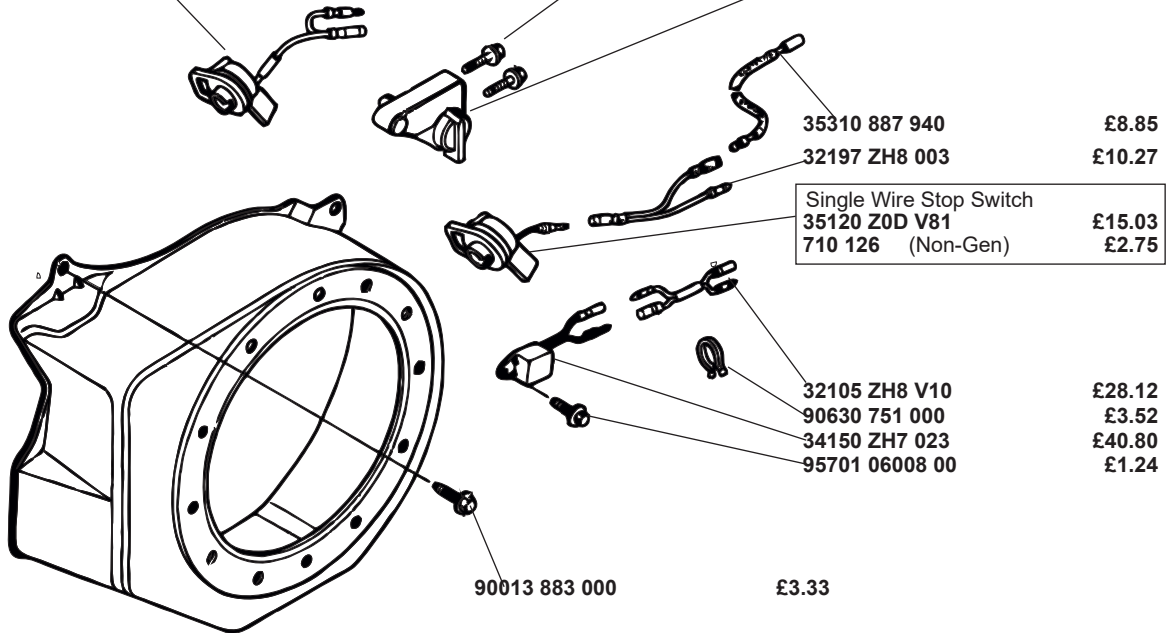


Honda GX120 - Fan Cover & Ignition Module

Twin Wire Stop Switch
36100 ZF6 P82 £23.55
710 169 (Non-Gen) £2.65

95701 06008 00 £1.24

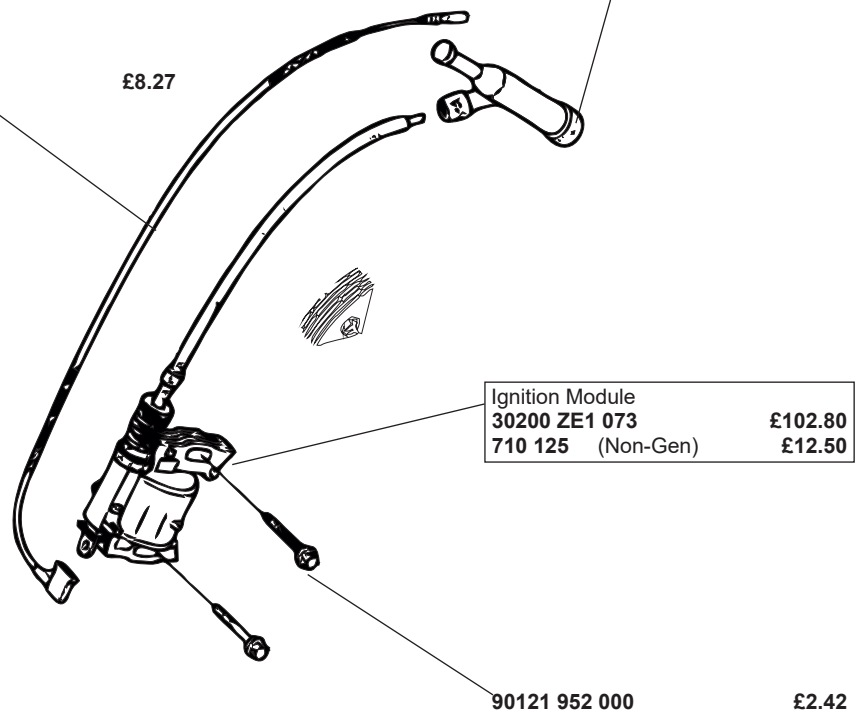
Oil Alert Stop Switch
15520 ZE1 003 £80.78
710 162 (Non-Gen) £20.66



Standard Fan Cover
19610 ZE0 000ZS £53.55
Non Gen GX120 Cowl
710 128 £17.50

Spark Plug Cap
30600 ZE1 013 £25.22
710 172 (Non-Gen) £2.55

Stop Switch Cord
36101 ZE1 010 £8.27



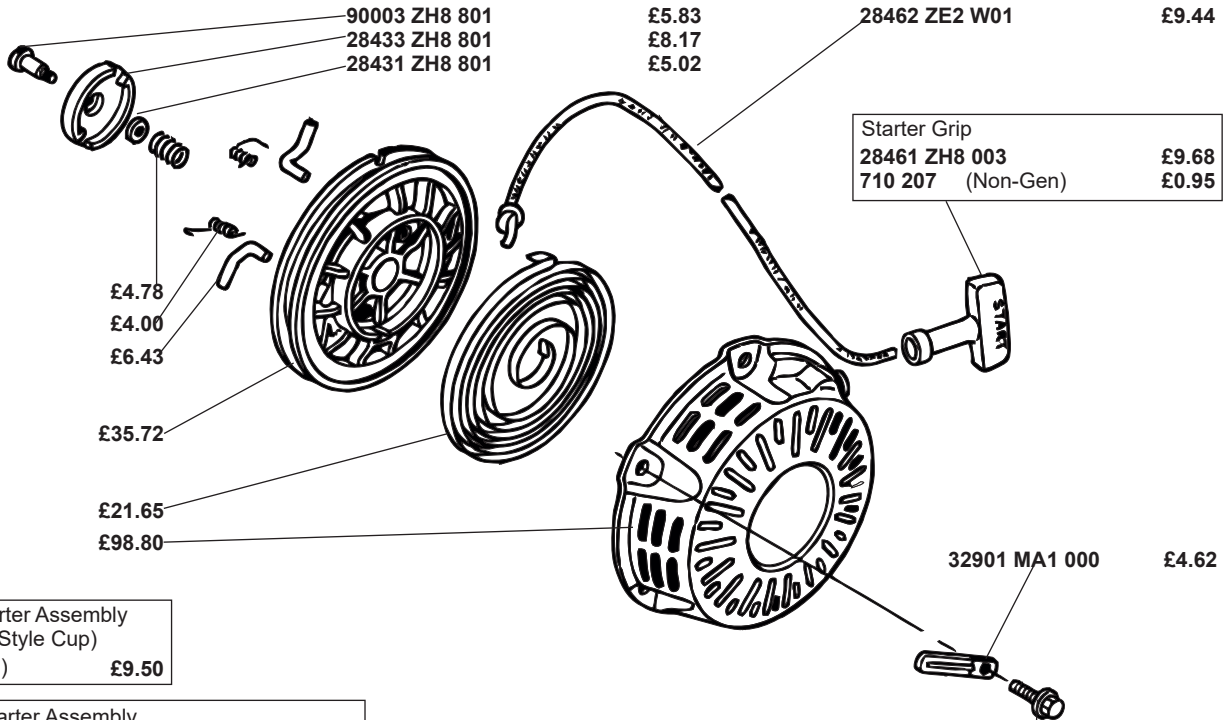
Gasket Set



06111 ZH7 405 £17.42
710 186 (Non-Gen) £5.16

Honda GX120 - Recoil Starter


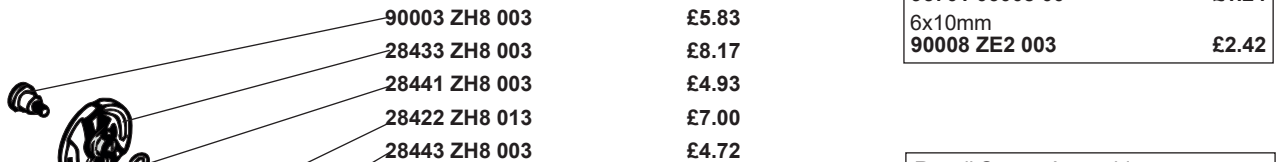
Parts for
Old Type
Only



Starter Grip 28461 ZH8 003	£9.68
710 207 (Non-Gen)	£0.95

New Type Recoil Starter Assembly
(New Type Metal Pawls, Requires New Type
Starter Cup if not Fitted on Machine Already.)

28400 Z4M 801ZB	£93.30
New Type Starter Cup (Only Suits New Type Recoil)	
28451 Z4M 003	£22.95

6x8mm 95701 06008 00	£1.24
6x10mm 90008 ZE2 003	£2.42

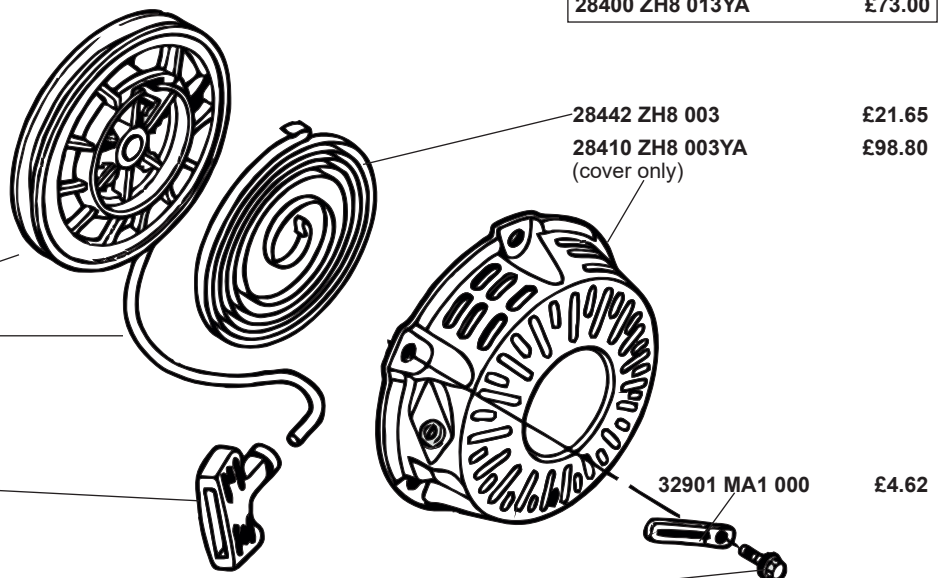
Recoil Starter Assembly (Plastic Pawls) 28400 ZH8 013YA	£73.00
---	--------

Non Gen Plastic Pawl Kit 710 196	£3.52
Non Gen Metal Pawl Kit 710 191	£3.25

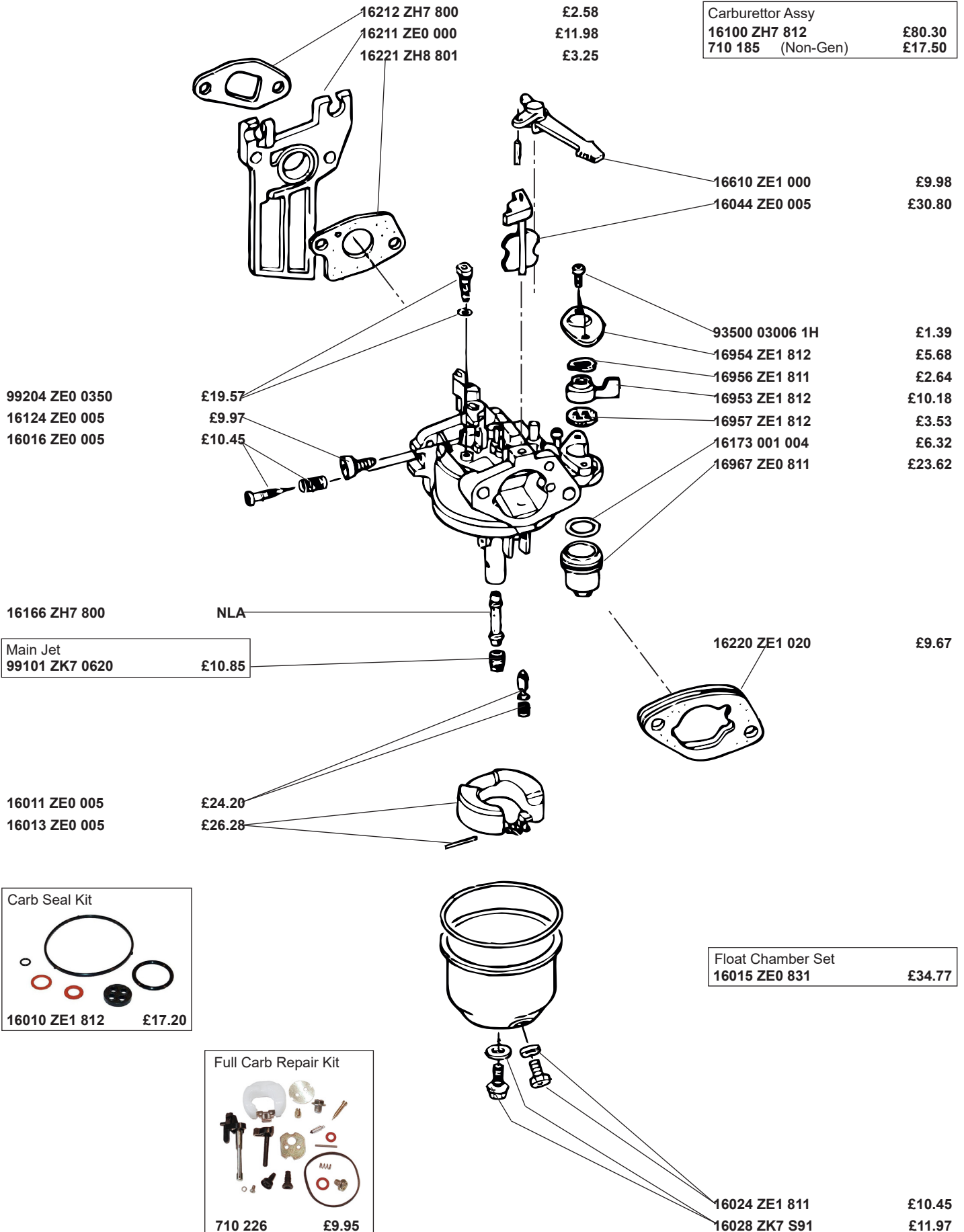
Pulley (White) 28420 ZH8 013	£31.32
28462 ZE2 W01	£9.44

Starter Grip 28461 ZH8 003	£9.68
710 207 (Non-Gen)	£0.95

6x8mm 95701 06008 00	£1.24
6x10mm 90008 ZE2 003	£2.42



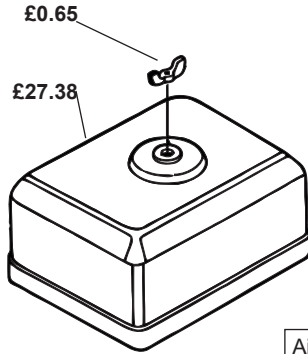
Honda GX120 - Carburettor



Honda GX120 - Air Cleaner

903 0762 10pk (Non-Gen) £0.65

17230 ZE0 820



£27.38

16271 ZE1 000

£3.53

934040602008

£1.23

Elbow Assy

17410 ZE0 040

£49.67

Air Filter

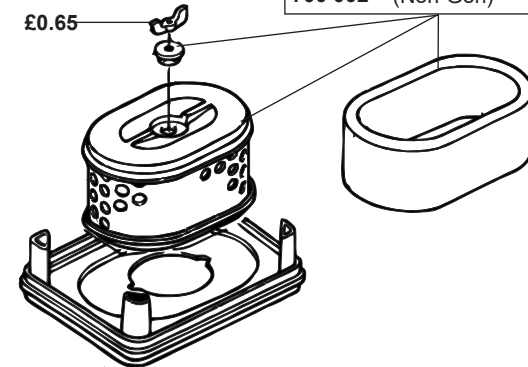
17210 ZE0 505

£21.75

700 002 (Non-Gen)

£4.50

903 0762 10pk (Non-Gen) £0.65



£0.65

£17.17

17238 ZE0 010

17238 ZE7 010

£2.58

£2.75

903 0762 10pk (Non-Gen) £0.65

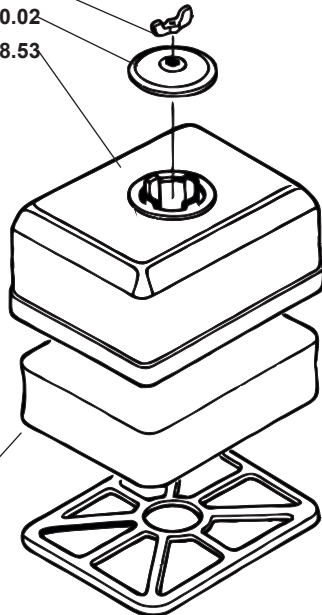
17421 ZE1 000

17231 ZE0 000

£0.65

£10.02

£28.53



£10.78

£8.55

17238 ZE0 010

17238 ZE7 010

£2.58

£2.75

934040602008

£1.23

Elbow Assy

17410 ZE0 040

£49.67

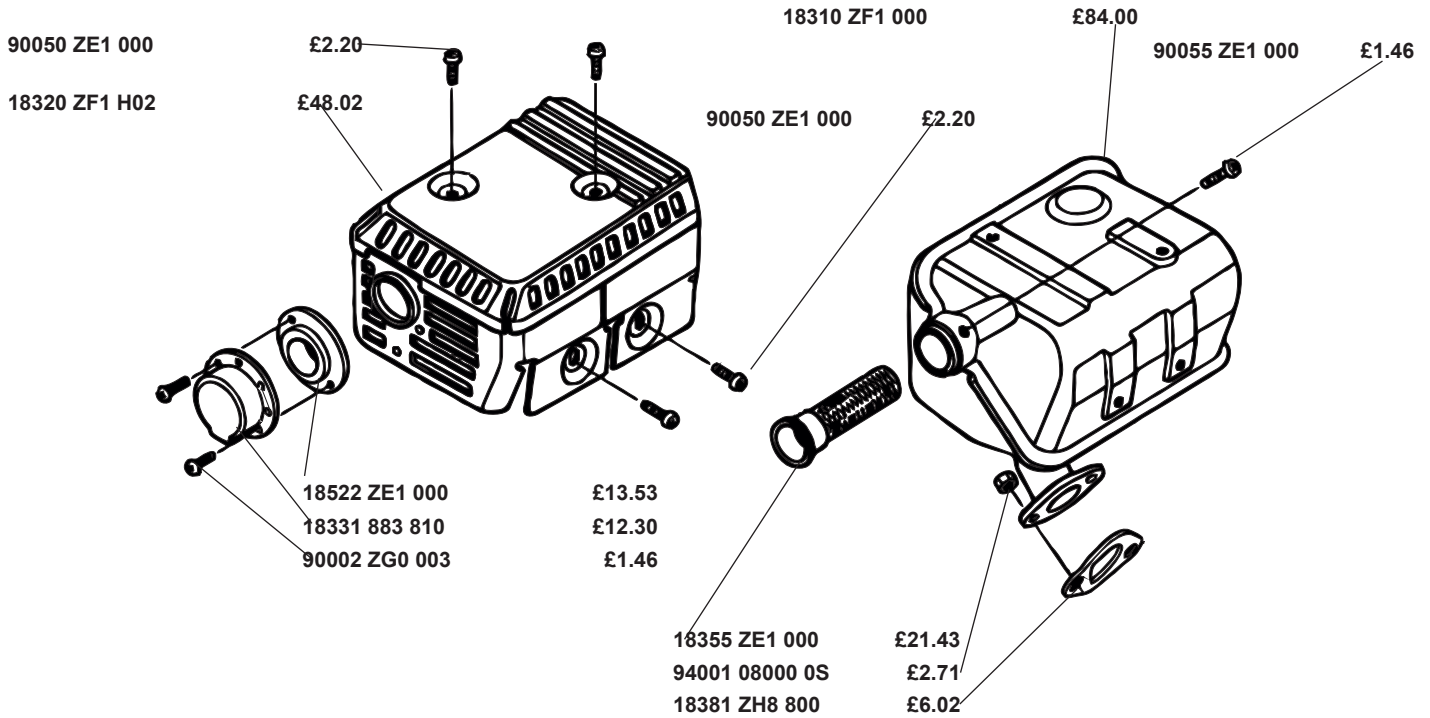
Sponge Type Filter

17211 ZE1 000

17212 ZE1 000

Honda GX120 - Exhaust & Fuel Tank

Muffler Assy (Non Gen)
710 182 £13.50



Metal Tank Cap Assy
710 209 (Non-Gen) £4.10

Metal Tank Cap Assy
17620 Z4H 010 £37.16

Cap Rubber Only
17631 Z0T 812 £3.42

Fuel Tank
17510 ZE0 020ZA £109.40
710 188 (Non-Gen) £14.50

90004 ZH7 003 £1.85

16854 ZH8 000 £2.90

17672 ZE2 W01 £9.80

17672 880 000 £17.73

17673 893 000 £8.93

Plastic Cap Assy
17620 Z0T 305 £17.47
710 121 (Non-Gen) £3.40

Cap Gasket Only
17631 329 013 £2.13

94050 06000 £2.71

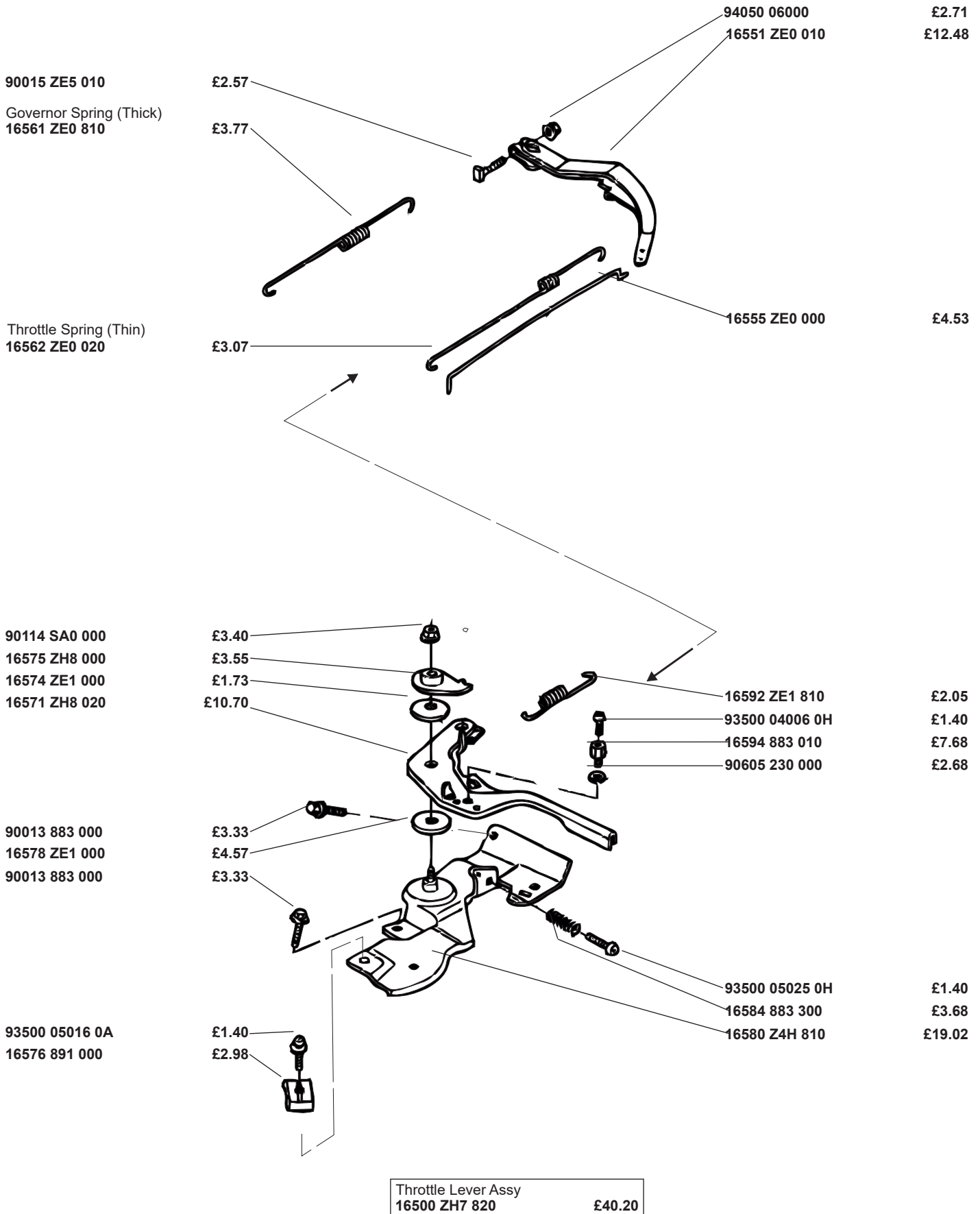
91307 PH7 660 £2.56

Fuel Strainer Assy
16955 ZE1 010 £12.18
710 122 (Non-Gen) £3.95

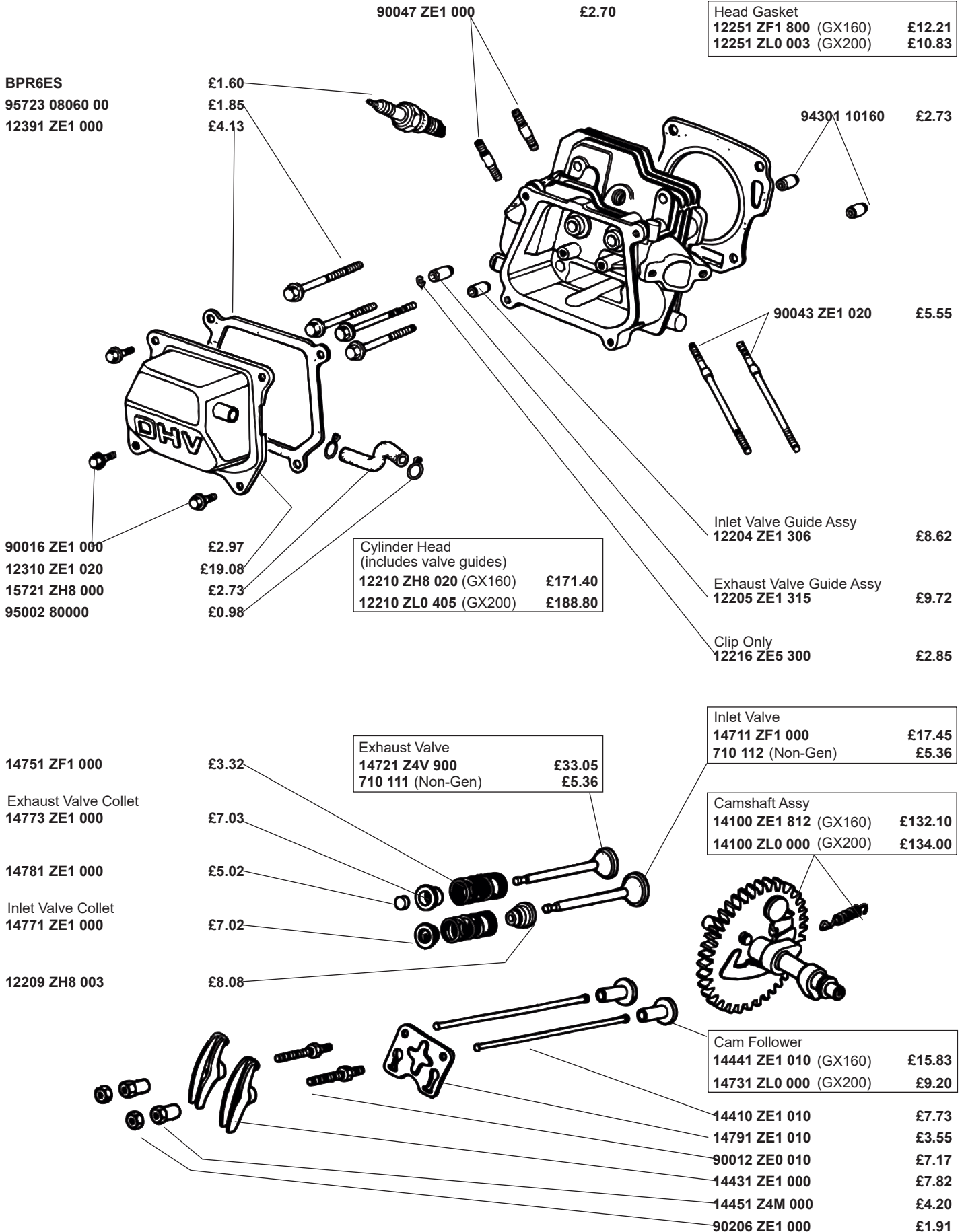
95002 02080 £1.06

Fuel Hose (1 Metre Cut)
95001 4500160M £14.38

Honda GX120 - Throttle Control



Honda GX160 / GX200 - Cylinder Head & Camshaft



E - Honda GX160 / GX200 Spares

Honda GX160 / GX200 - Crankcase Cover & Piston

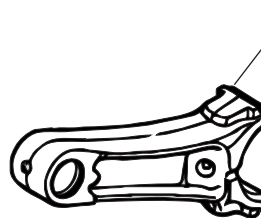
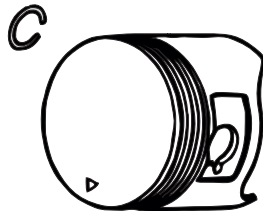
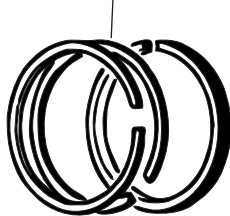
Newer 'UT2' Engines

The latest range of Honda GX engines have many internal and external parts which are not interchangeable with older engines.

Please contact us with your engine serial number when ordering parts for these engines.

GX160 Genuine Piston (piston only)	
13101 ZH8 010 (Thin Rings)	£50.57
13101 Z4M 800 (UT2)	£49.08
GX200 Genuine Piston (piston only)	
13101 ZL0 010 (Thick)	£25.30
13101 Z4V 800 (Thin)	£25.33

GX160 Ring Sets	
710 195 (Non-Gen Thick Rings)	£3.60
13010 ZF1 024 (Thick Rings)	£40.15
13010 Z0T 801 (Thin Rings)	£24.57
13010 Z4M 801 (UT2)	£42.27
GX200 Ring Sets	
13010 ZL0 003 (Thick)	£40.15
13010 Z4K 004 (Thin)	£42.27



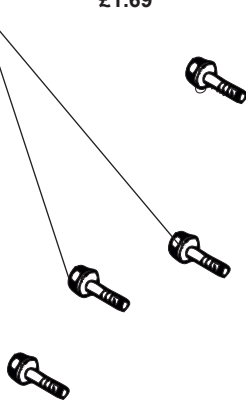
Con Rod Assy (not UT2)	
13200 Z0T 800	£82.41
710 190 (Non-Gen)	£9.40



Non Gen Piston Assys (not UT2) c/w Piston, Rings, Pin & Clips	
710 132 (GX160)	£11.00
710 109 (GX200)	£19.60

90001 ZE1 000	£2.70
13111 ZE1 000	£10.73
90551 ZE1 000	£1.56

95701 08032 00 £1.69



15625 ZE1 000 £3.42

Dipstick Assy	
15600 Z0T 810	£8.77
710 212 (Non-Gen)	£2.35

15620 ZG4 910 £3.95
15621 896 010 £3.23

15600 ZG4 003	£7.30
94301 08140	£2.55

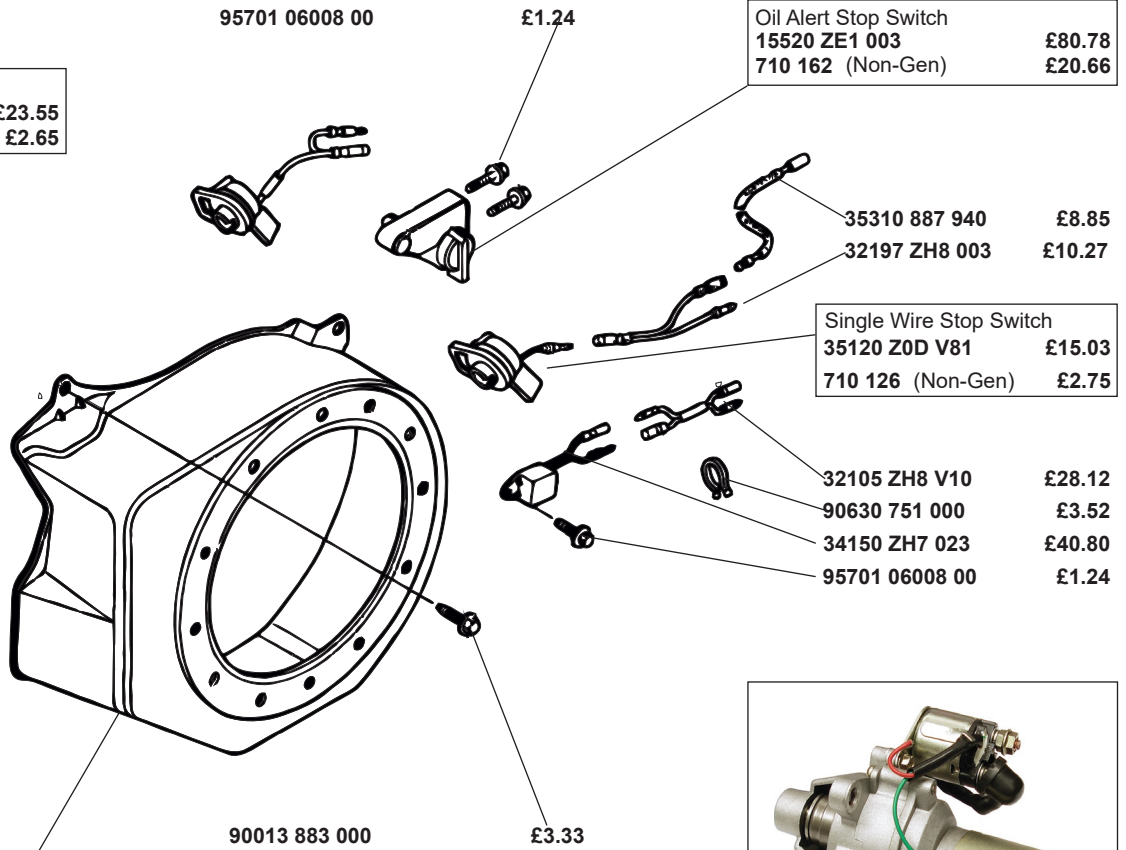
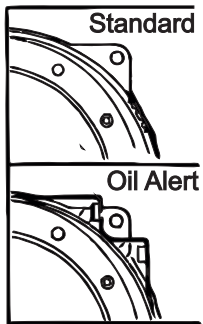
91202 883 005 £8.51
96100 62050 00 £16.72

Crankcase Cover Assy	
11300 ZE1 020	£139.90

11381 ZL0 000 £7.93

Honda GX160 / GX200 - Fan Cover & Ignition Module

Twin Wire Stop Switch	
36100 ZF6 P82	£23.55
710 169 (Non-Gen)	£2.65

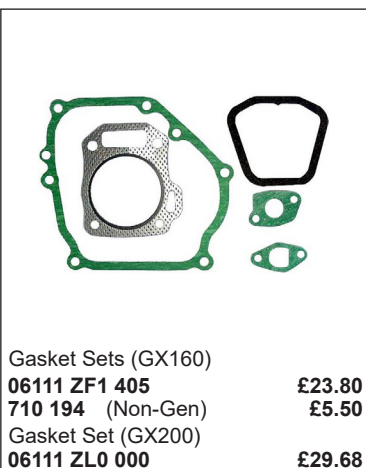
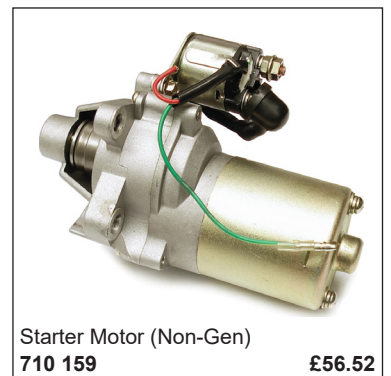


Fan Cover (GX160)	
19610 ZE1 010ZP Standard	£83.10
19610 ZE1 810ZG Oil Alert	£80.60
710 110 (Non-Gen)	£19.50
Fan Cover (GX200)	
19610 ZL0 000ZJ Standard	£79.83

Oil Alert Stop Switch	
15520 ZE1 003	£80.78
710 162 (Non-Gen)	£20.66

Single Wire Stop Switch	
35120 Z0D V81	£15.03
710 126 (Non-Gen)	£2.75

35310 887 940	£8.85
32197 ZH8 003	£10.27
32105 ZH8 V10	£28.12
90630 751 000	£3.52
34150 ZH7 023	£40.80
95701 06008 00	£1.24



Gasket Sets (GX160)	
06111 ZF1 405	£23.80
710 194 (Non-Gen)	£5.50
Gasket Set (GX200)	
06111 ZL0 000	£29.68

Stop Switch Cord 395mm
36101 ZB2 010

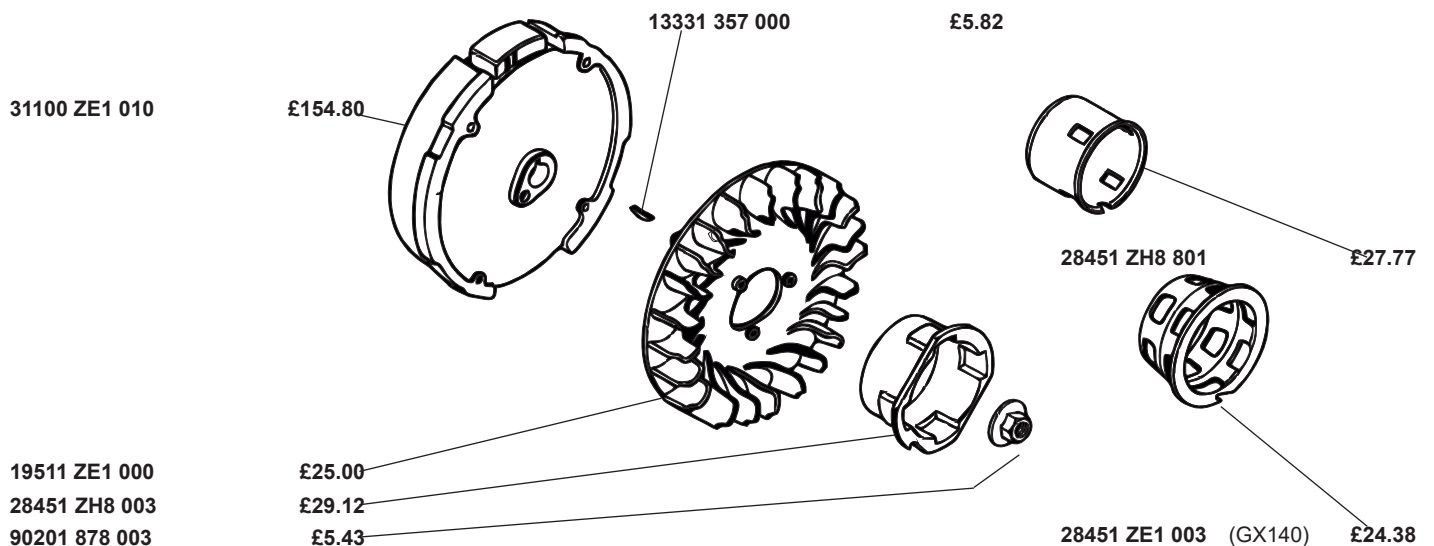
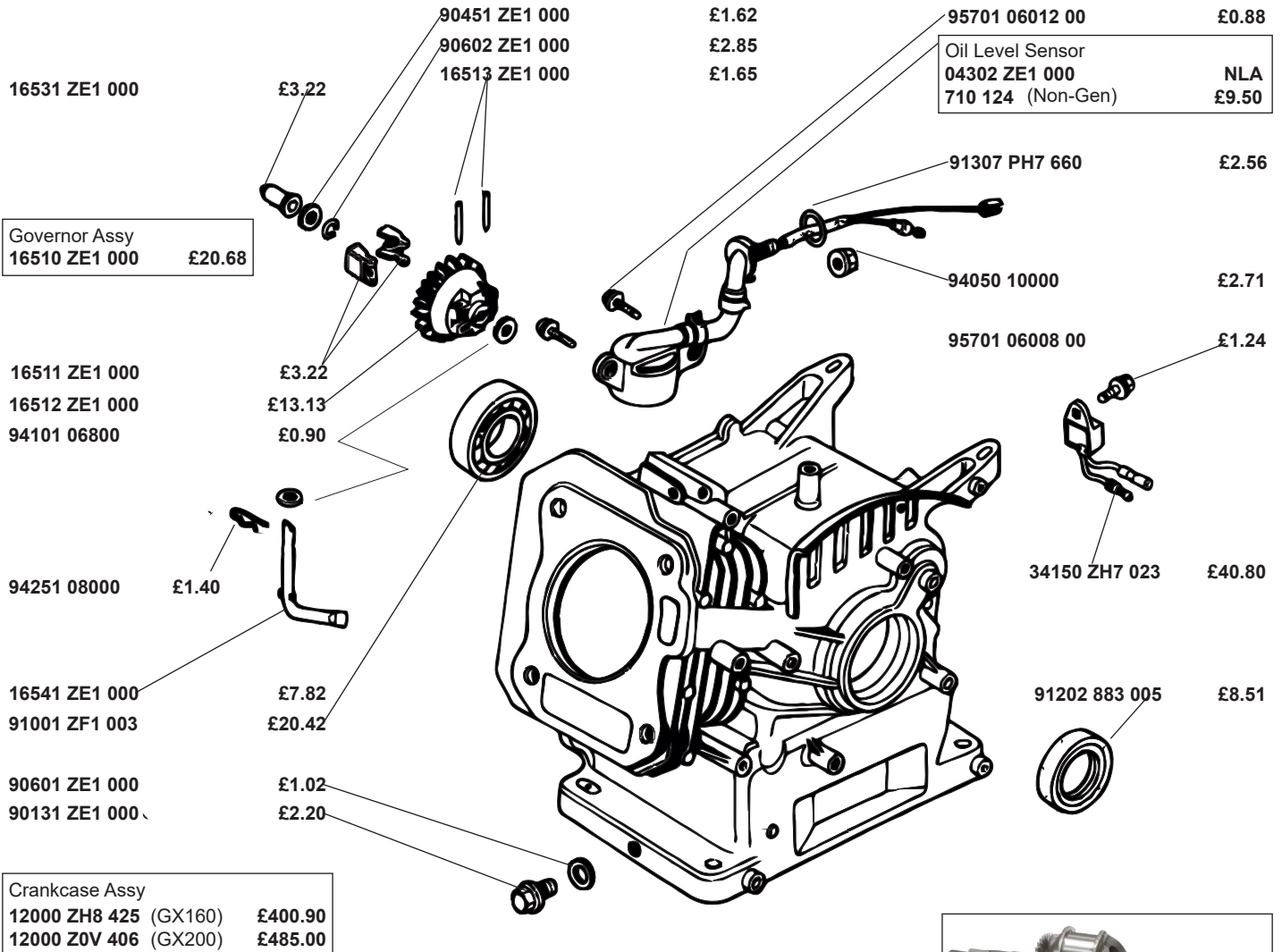
£9.07

Spark Plug Cap	
30600 ZE1 013	£25.22
710 172 (Non-Gen)	£2.55

Ignition Coil Assy	
30200 ZE1 073	£102.80
710 125 (Non-Gen)	£12.50

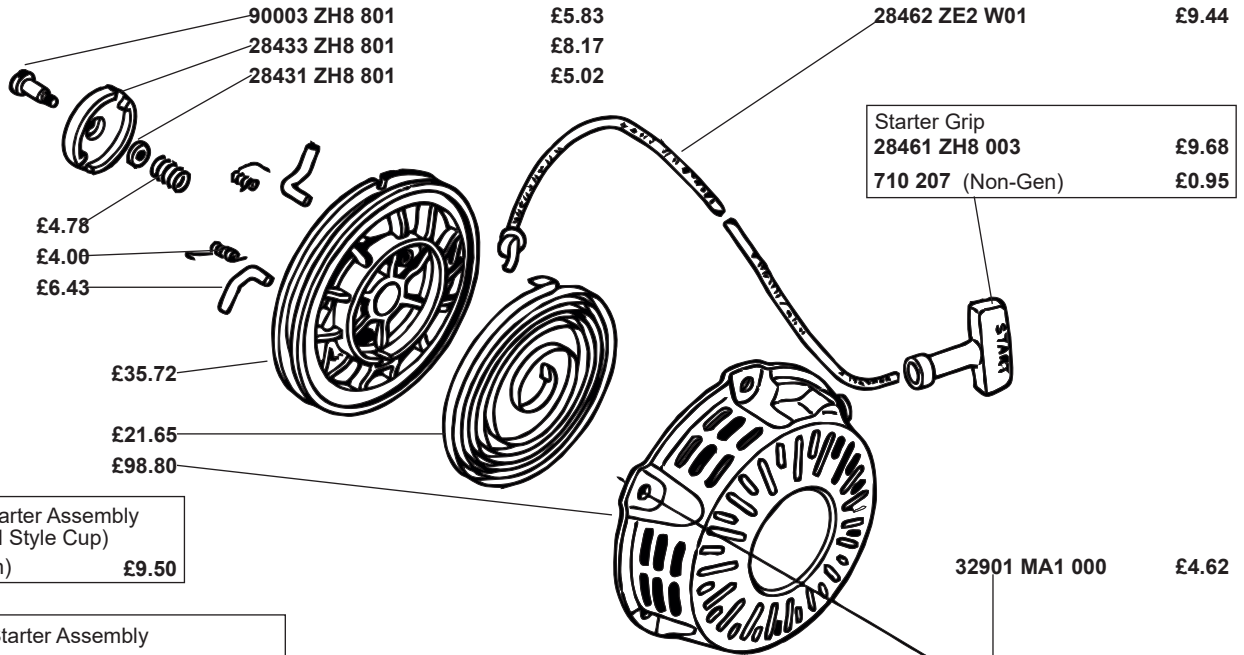
90121 952 000 £2.42

Honda GX160 / GX200 - Crankcase & Flywheel



Honda GX160 / GX200 - Recoil Starter

Parts for
Old Type
Only



90003 ZH8 801	£5.83	28462 ZE2 W01	£9.44
28433 ZH8 801	£8.17		
28431 ZH8 801	£5.02		

28441 ZH8 801	£4.78
28443 ZH8 801	£4.00
28422 ZH8 801	£6.43

Pulley (Black)	
28421 ZH8 801	£35.72

28442 ZH8 003	£21.65
28410 ZH8 003YA	£98.80

Old Type Recoil Starter Assembly (Complete with Old Style Cup)	
710 171 (Non-Gen)	£9.50

New Type Recoil Starter Assembly
(New Type Metal Pawls, Requires New Type
Starter Cup if not Fitted on Machine Already.)

28400 Z4M 801ZB	£93.30
-----------------	--------

New Type Starter Cup
(Only Suits New Type Recoil)

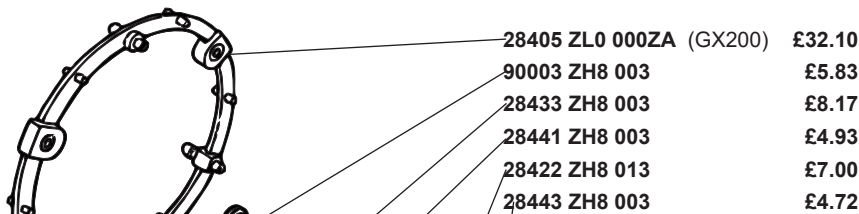
28451 Z4M 003	£22.95
---------------	--------



Starter Grip	
28461 ZH8 003	£9.68
710 207 (Non-Gen)	£0.95

32901 MA1 000	£4.62
---------------	-------

6x8mm	
95701 06008 00	£1.24
6x10mm	
90008 ZE2 003	£2.42



Non-Gen Plastic Pawl Kit	
710 196	£3.52
Non-Gen Metal Pawl Kit	
710 191	£3.25

Pulley (White)	
28420 ZH8 013	£31.32
28462 ZE2 W01	£9.44

Starter Grip	
28461 ZH8 003	£9.68
710 207 (Non-Gen)	£0.95

6x8mm	
95701 06008 00	£1.24
6x10mm	
90008 ZE2 003	£2.42

28405 ZL0 000ZA (GX200)	£32.10
90003 ZH8 003	£5.83
28433 ZH8 003	£8.17
28441 ZH8 003	£4.93
28422 ZH8 013	£7.00
28443 ZH8 003	£4.72

Recoil Starter Assembly (Plastic Pawls)	
28400 ZH8 013YA	£73.00

28442 ZH8 003	£21.65
28410 ZH8 003YA	£98.80

32901 MA1 000	£4.62
---------------	-------

Honda GX160 / GX200 - Carburettor

16212 ZH8 800

£2.68

Carb Insulator		
16211 ZE1 000	(GX160)	£13.68
16211 ZL0 000	(GX200)	£12.18

Carburettor Assy	
(GX160)	
16100 ZH8 W41	£95.60
710 189 (Non-Gen)	£15.90
(GX200)	
16100 ZL0 W51	£95.90
710 102 (Non-Gen)	£19.50

16221 ZH8 801
99204 ZE2 0400
16124 ZE0 005
16016 ZE0 005

£3.25
£19.57
£9.97
£10.45

16016 ZH7 W01

£16.38

Emulsion Tube		
16166 ZH8 W00	(GX160)	NLA
16166 ZL0 000	(GX200)	£29.30

Main Jet		
99101 ZH7 0620	#62	NLA
99101 ZH7 0650	#65	£6.72
99101 ZH7 0680	#68	£11.28
99101 ZH7 0700	#70	£9.10
99101 ZH7 0720	#72	£9.10

16011 ZE0 005 £24.20
16013 ZE0 005 £26.28

Carb Seal Kit		
16010 ZE1 812		£17.20
Full Rebuild Kit (Non-Gen)		
710 164		£9.95

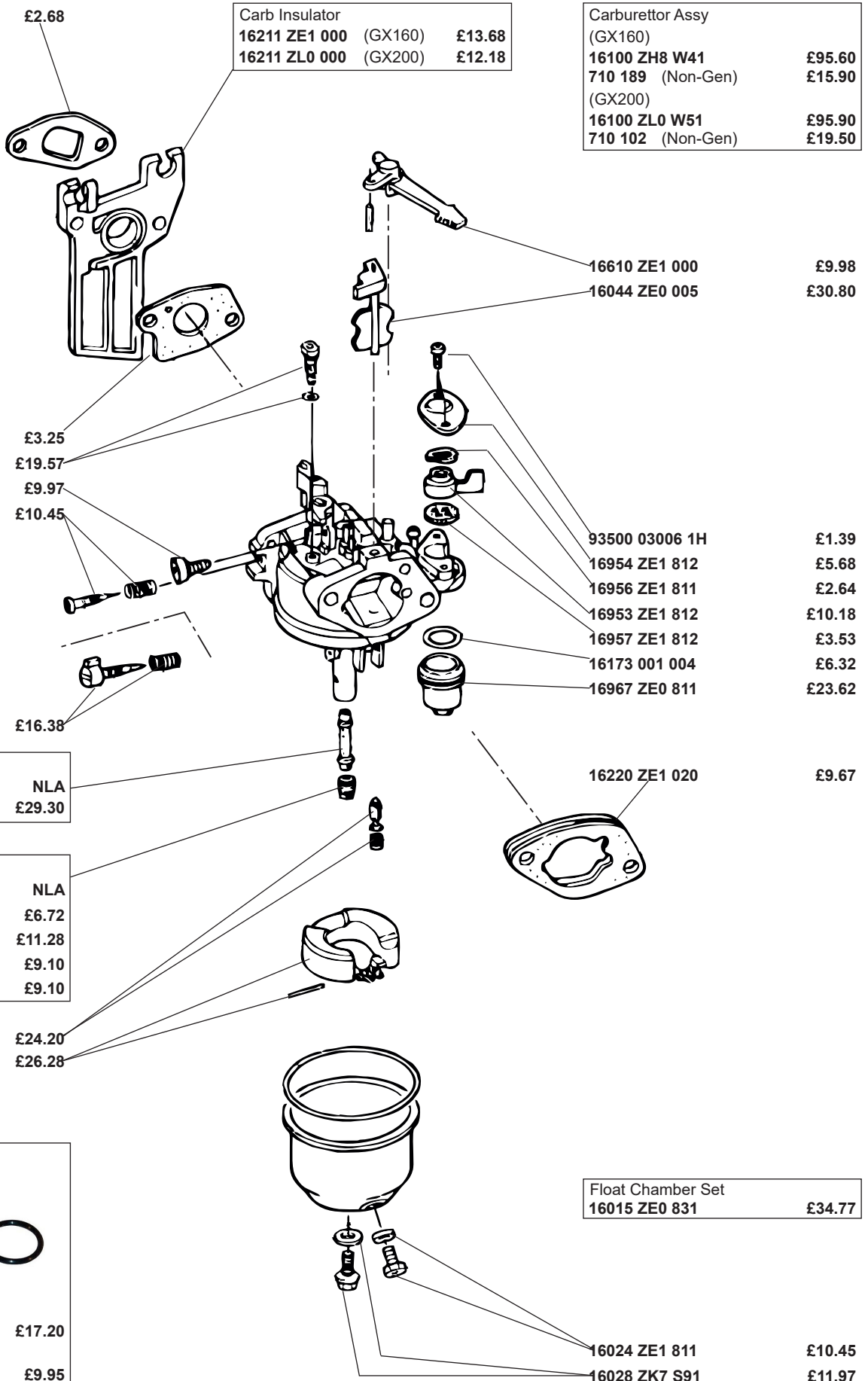
16610 ZE1 000 £9.98
16044 ZE0 005 £30.80

93500 03006 1H £1.39
16954 ZE1 812 £5.68
16956 ZE1 811 £2.64
16953 ZE1 812 £10.18
16957 ZE1 812 £3.53
16173 001 004 £6.32
16967 ZE0 811 £23.62

16220 ZE1 020 £9.67

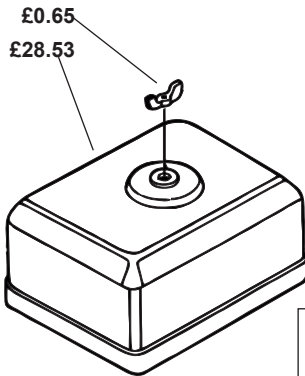
Float Chamber Set	
16015 ZE0 831	£34.77

16024 ZE1 811 £10.45
16028 ZK7 S91 £11.97



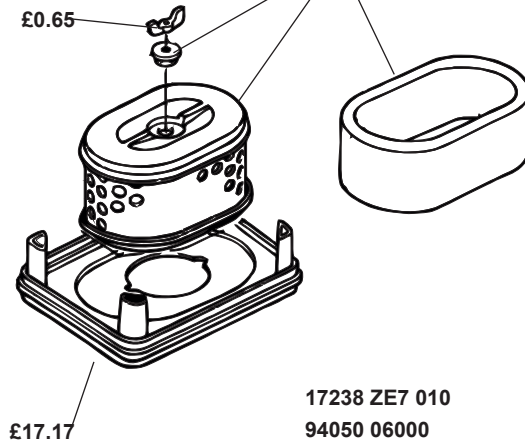
Honda GX160 / GX200 - Air Cleaner

903 0762 10pk (Non-Gen)
17230 ZE1 820



Air Cleaner Assy (Non Gen) c/w Cover, Elbow, Base, Seal, Wing Nuts & Filter Assy	
710 131	£14.50

903 0762 10pk (Non-Gen)

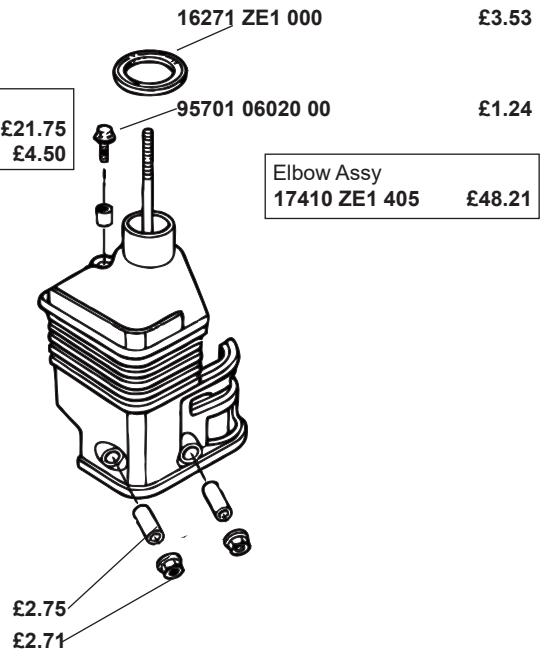


Air Filter	
17210 ZE1 505	£21.75
700 003 (Non-Gen)	£4.50

17235 ZE1 831

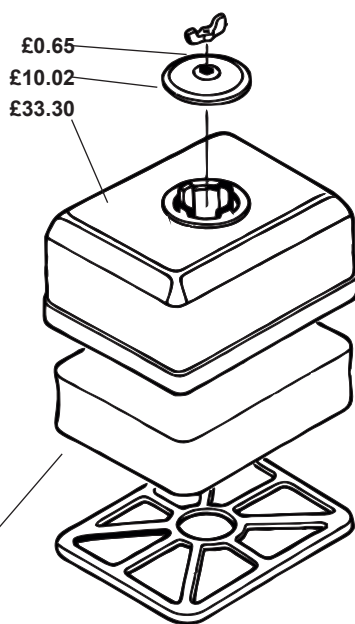
£17.17

17238 ZE7 010
94050 06000



Elbow Assy	
17410 ZE1 405	£48.21

903 0762 10pk (Non-Gen)
17421 ZE1 000
17231 ZE1 000

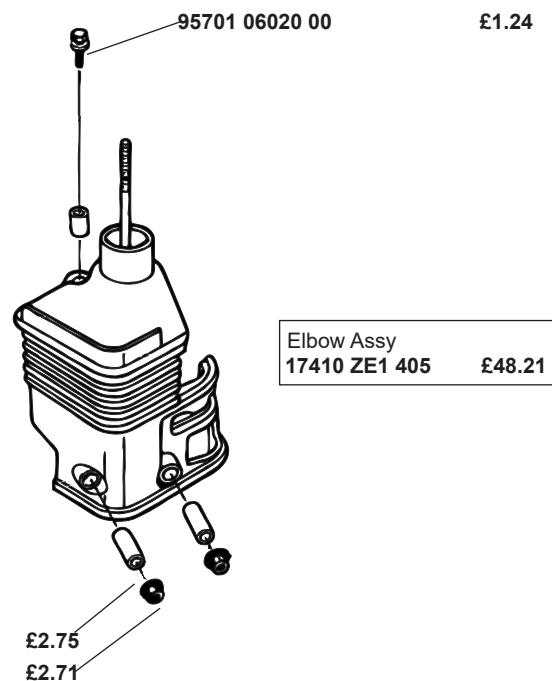


£0.65
£10.02
£33.30

Sponge Type Filter
17211 ZE1 000
17212 ZE1 000

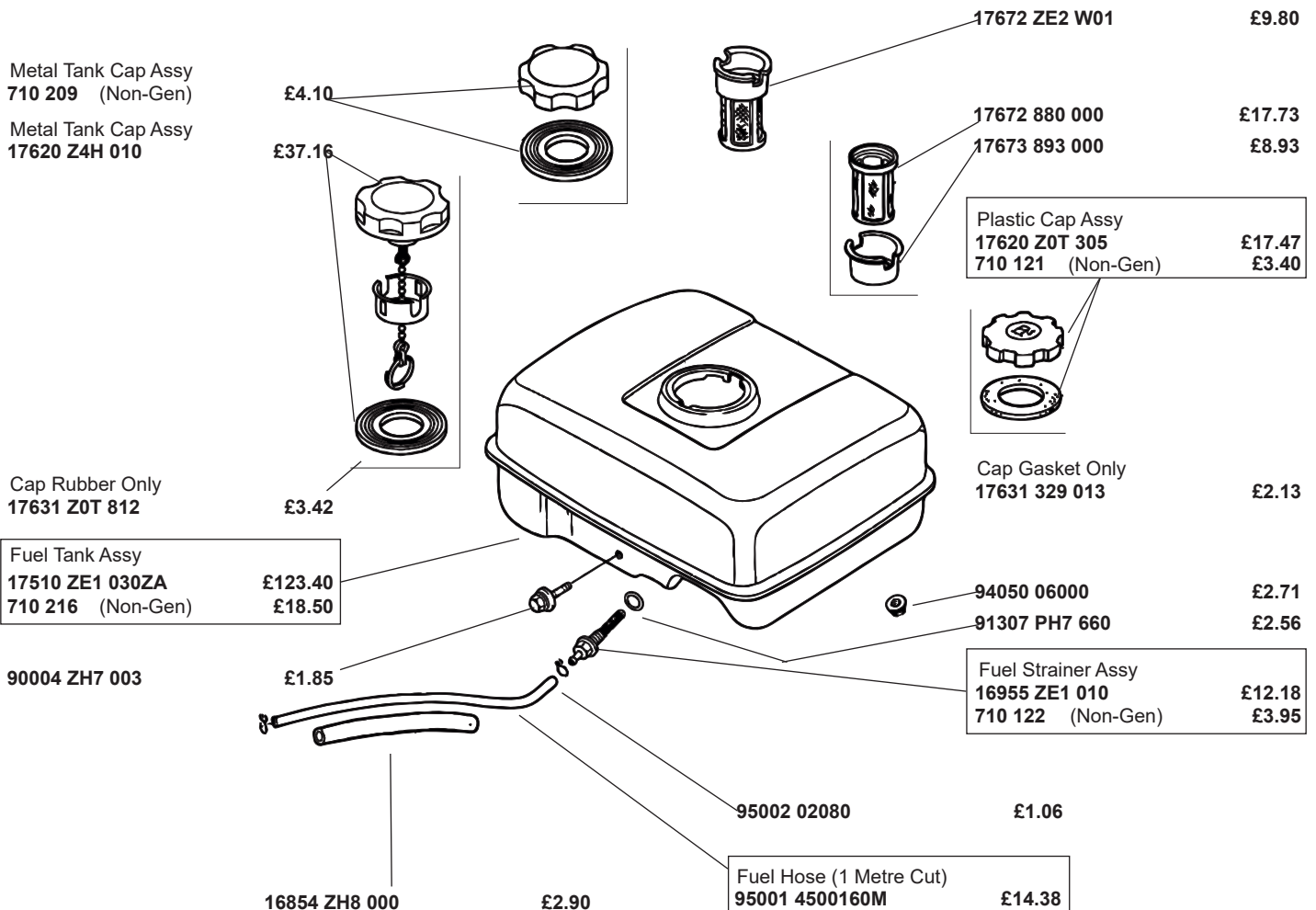
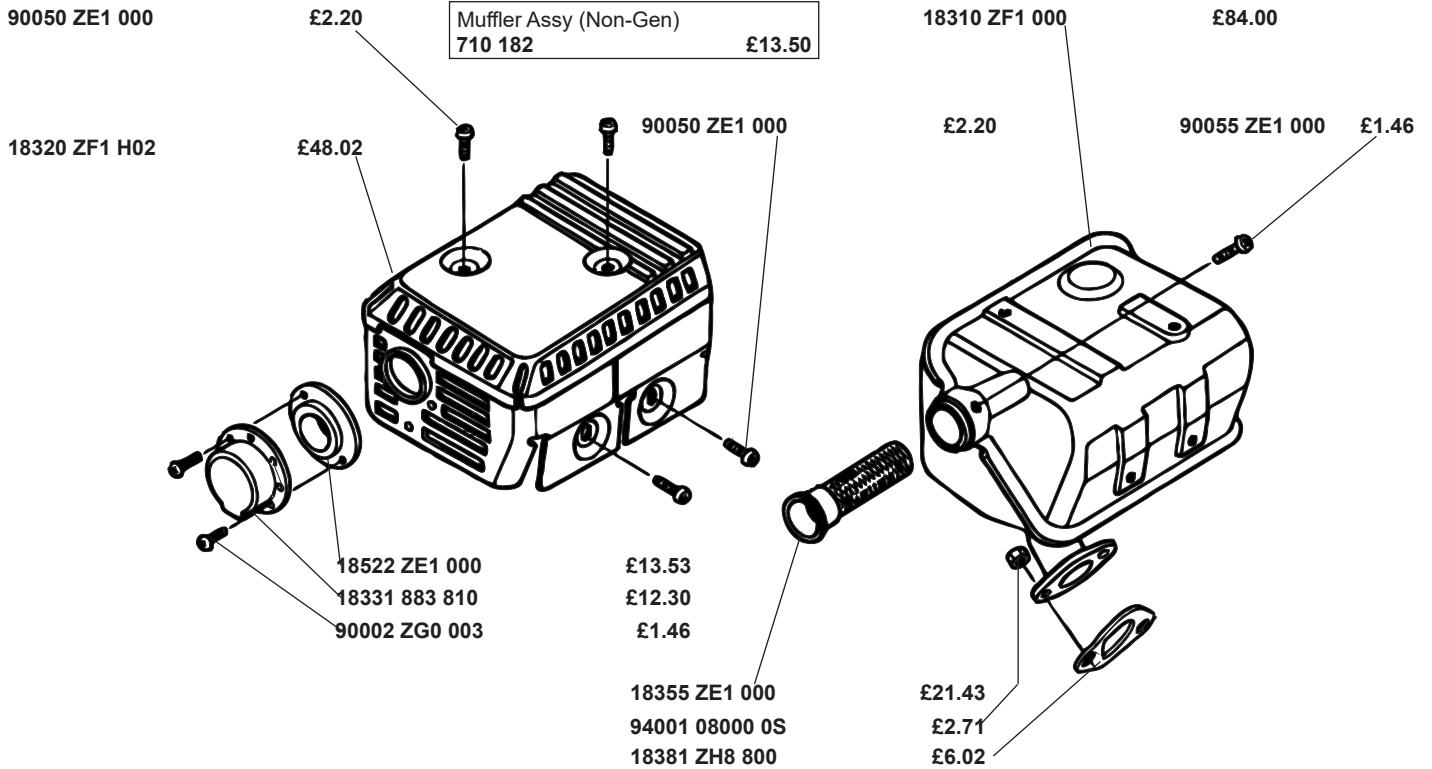
£10.78
£8.55

17238 ZE7 010
94050 06000

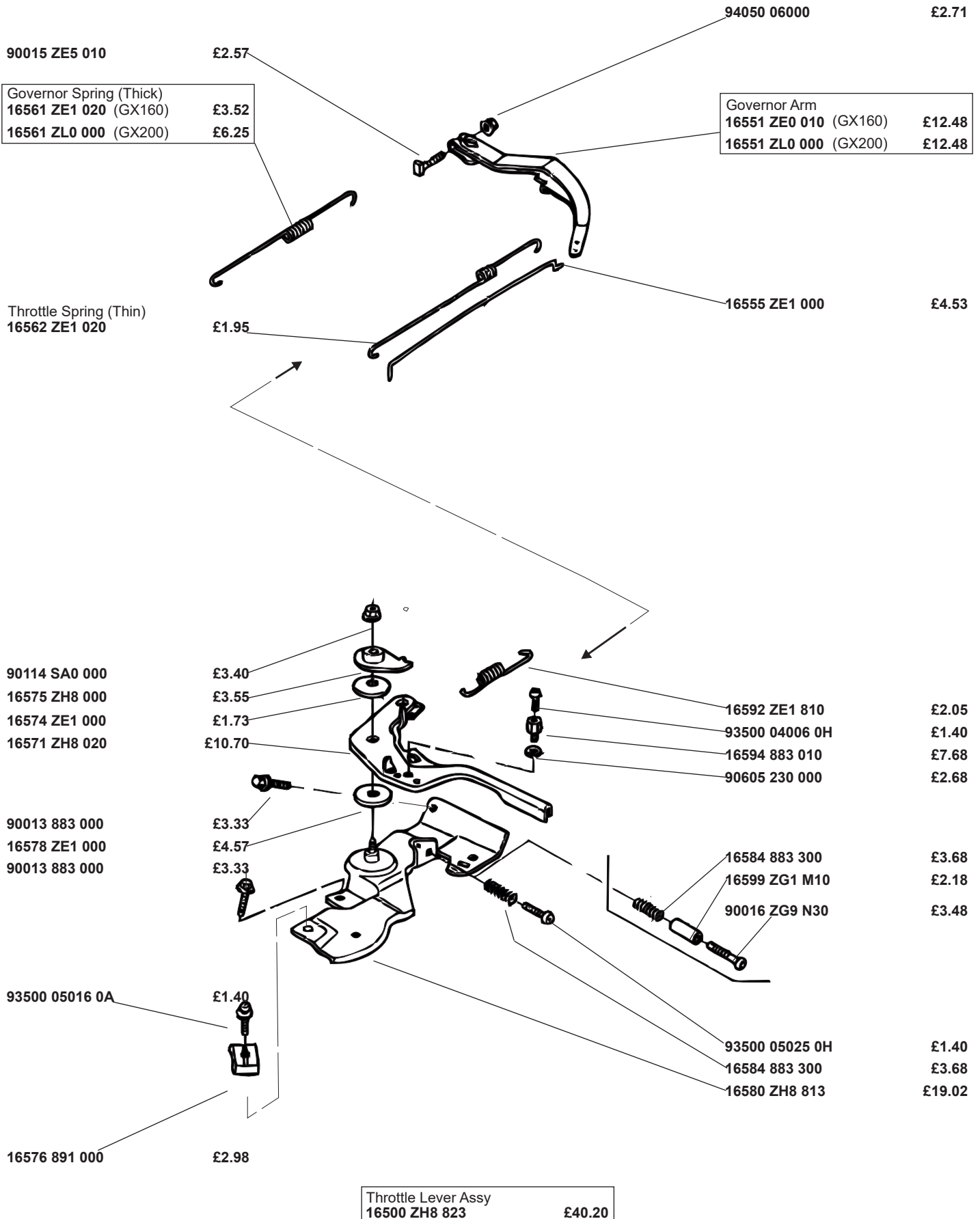


Elbow Assy	
17410 ZE1 405	£48.21

Honda GX160 / GX200 - Exhaust & Fuel Tank



Honda GX160 / GX200 - Throttle Control



Honda GX240 / GX270 - Cylinder Head & Camshaft

BPR6ES	£1.60	12251 ZE2 801 (GX240)	£9.90
90047 ZE2 000	£4.87	12251 ZH9 010 (GX270)	£13.63
95701 10080 00	£2.62	94301 12200	£2.47
90441 ZE2 010	£4.85	90042 ZE2 000	£7.53
90014 ZE2 000	£5.63	12204 ZE2 306	£11.58
12310 ZE3 791	£49.67	12205 ZE2 305	£11.58
12391 ZE2 020	£11.90	12216 ZE2 300	£2.85
12315 ZE3 840	£7.40		

Cylinder Head (includes valve guides)

12200 ZF6 406 (GX240)	£293.50
12200 ZH9 405 (GX270)	£254.40

Exhaust Valve 14721 ZE2 000	£29.73	Inlet Valve 14711 ZE2 000	£18.50
14775 ZE2 010	£3.72	Camshaft Assy 14100 ZE2 W01 (GX240)	£193.40
14751 ZE2 003	£4.95	14100 ZH9 305 (GX270)	£196.20
Exhaust Valve Collet 14773 Z8S 000	£2.22	14441 ZE2 000	£17.82
14781 ZE2 000	£4.77	14410 ZE2 013	£9.83
Inlet Valve Collet 14771 ZE2 000	£2.14	14791 ZE2 010	£3.55
12209 ZE8 003	£7.38	90012 ZE0 010	£7.17
		14431 ZE2 000	£9.40
		14451 Z4M 000	£4.20
		90206 ZE1 000	£1.91

Honda GX240 / GX270 - Piston & Crankcase Cover

Newer 'UT2' Engines

The latest range of Honda GX engines have many internal and external parts which are not interchangeable with older engines.

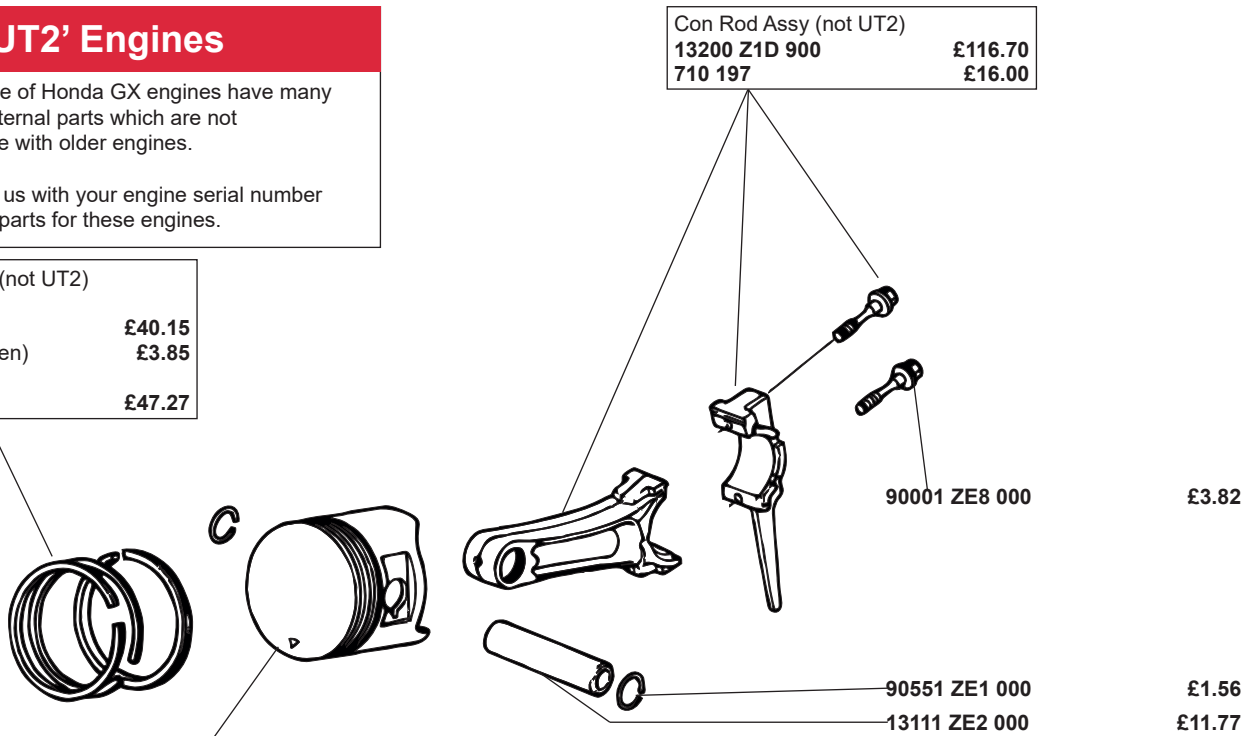
Please contact us with your engine serial number when ordering parts for these engines.

Piston Ring Sets (not UT2) (GX240)	
13010 ZE2 013	£40.15
710 200 (Non-Gen)	£3.85
(GX270)	
13010 ZE8 601	£47.27

Genuine Piston (not UT2)	
13101 ZE2 W00 (GX240)	£55.07
13101 ZH9 000 (GX270)	£66.20

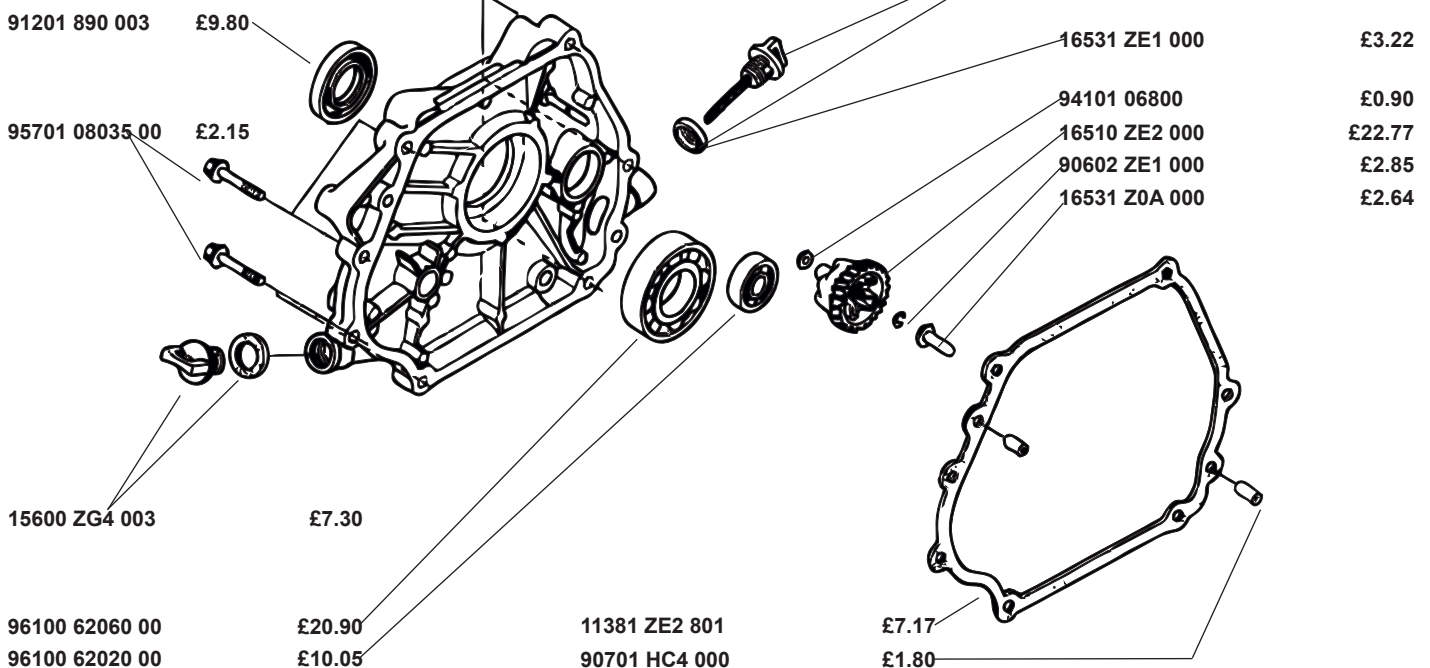
Non Genuine Piston Assembly (not UT2) c/w Piston, Rings, Pin & Circlips	
710 108 (GX240)	£13.80
710 107 (GX270)	£19.45

Con Rod Assy (not UT2)	
13200 Z1D 900	£116.70
710 197	£16.00

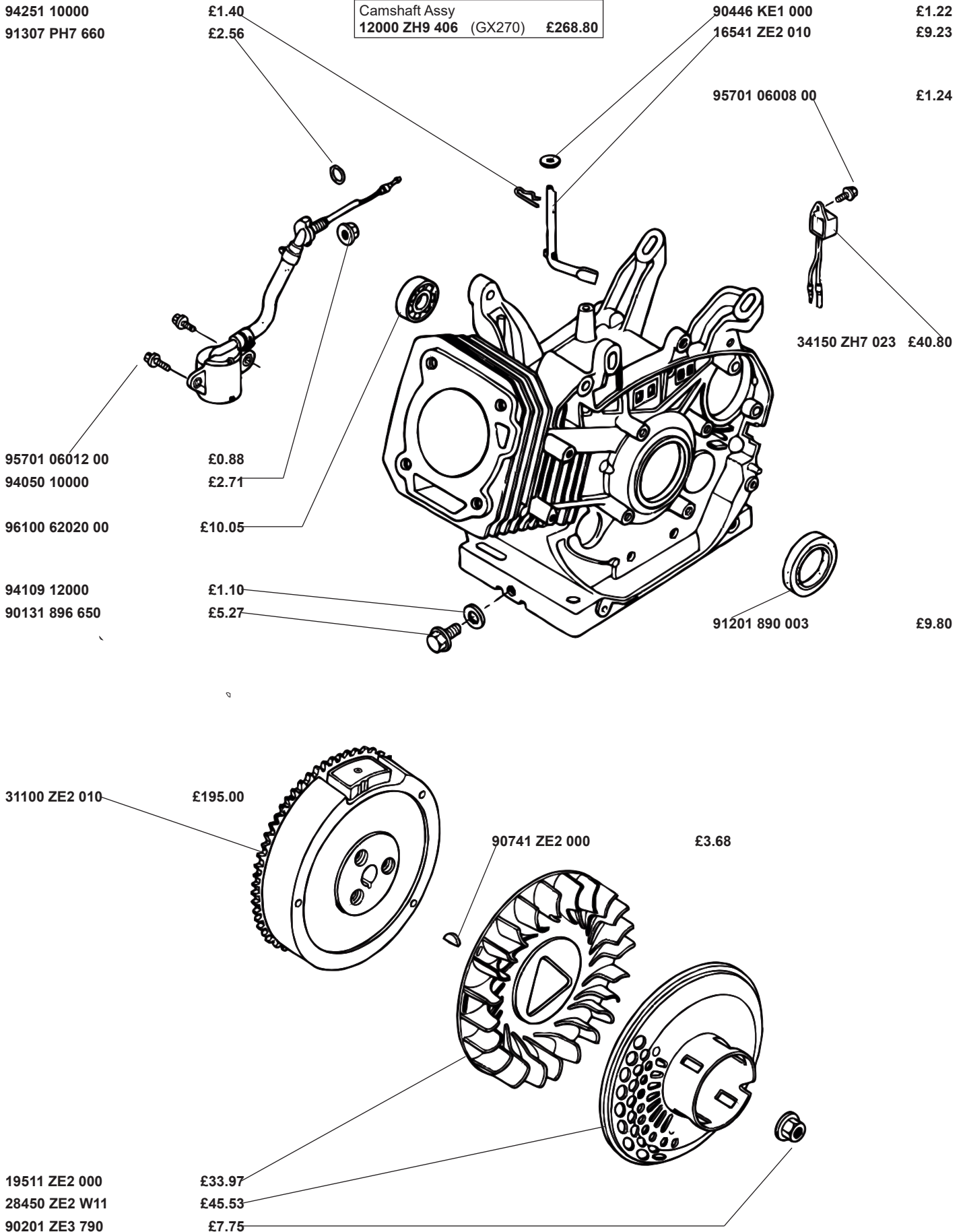


Crankcase Cover Assy	
11300 Z1D 600	£226.10

Dipstick Assy	
15600 735 003	£8.13
710 204 (Non-Gen)	£2.50



Honda GX240 / GX270 - Crankcase & Flywheel



Honda GX240 / GX270 - Fan Cover & Ignition Module

Double Wire Stop Switch
36100 ZF6 P82 £23.55
710 169 (Non-Gen) £2.65

16731 ZE2 003 £2.85
19631 ZE2 D00 £14.15

90013 883 000 £3.33

90013 883 000 £3.33

32197 ZH8 003 £10.27

Single Wire Stop Switch
35120 Z0D V81 £15.03
710 126 (Non-Gen) £2.75

95701 06008 00 £1.24

Oil Alert Switch
15520 ZE2 003 £81.56
710 163 (Non-Gen) £24.54

90684 ZA0 601 £2.85

Fan Cover
19610 ZE2 010ZL £93.30
710 158 (Non-Gen) £19.50

Stop Switch Cord
36101 ZE1 010 £8.27

Spark Plug Cap
30600 ZE1 013 £25.22
710 172 (Non-Gen) £2.55

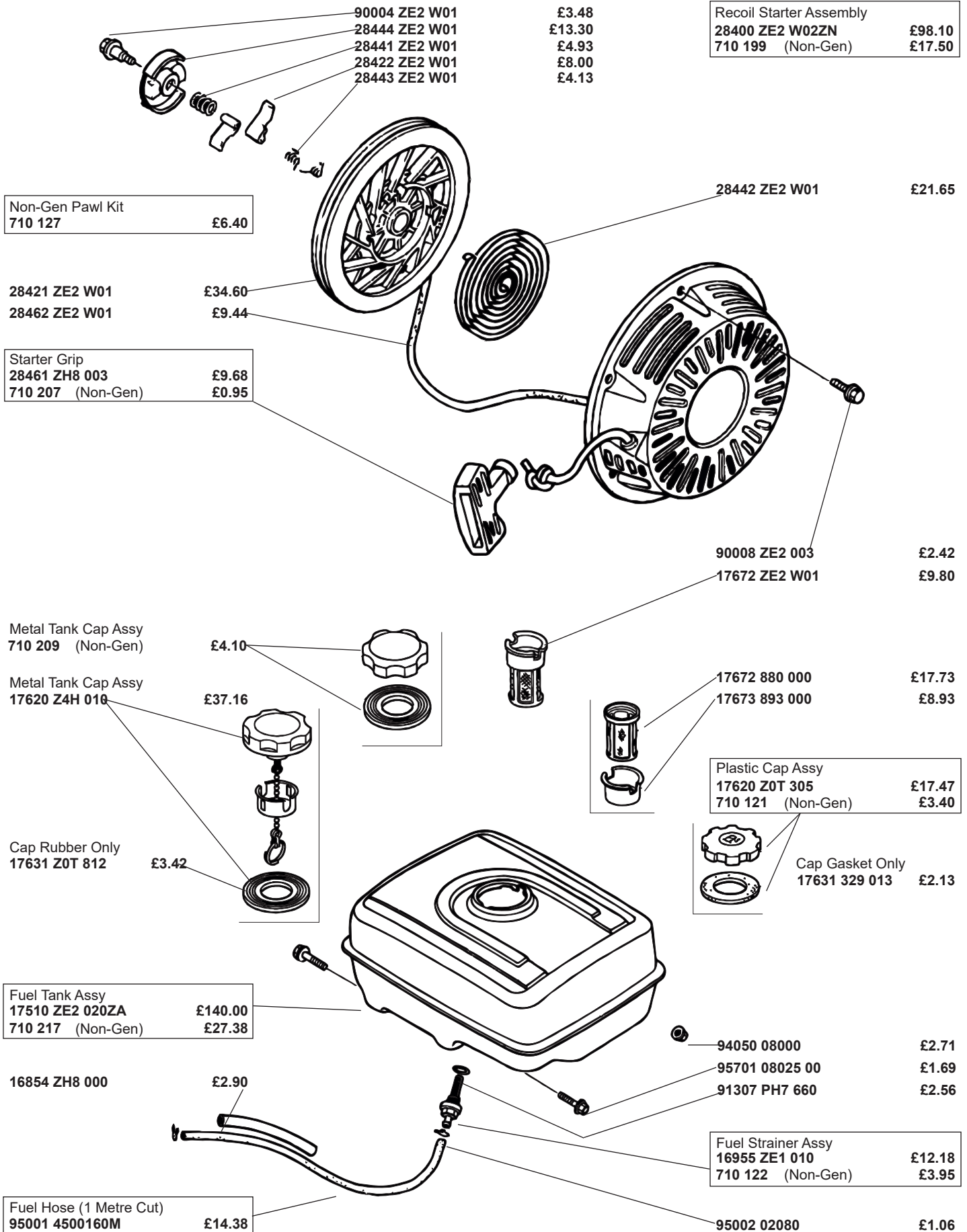
Ignition Coil Assy
30500 ZF6 W03 £126.00
710 123 (Non-Gen) £12.50

90015 883 000 £2.83

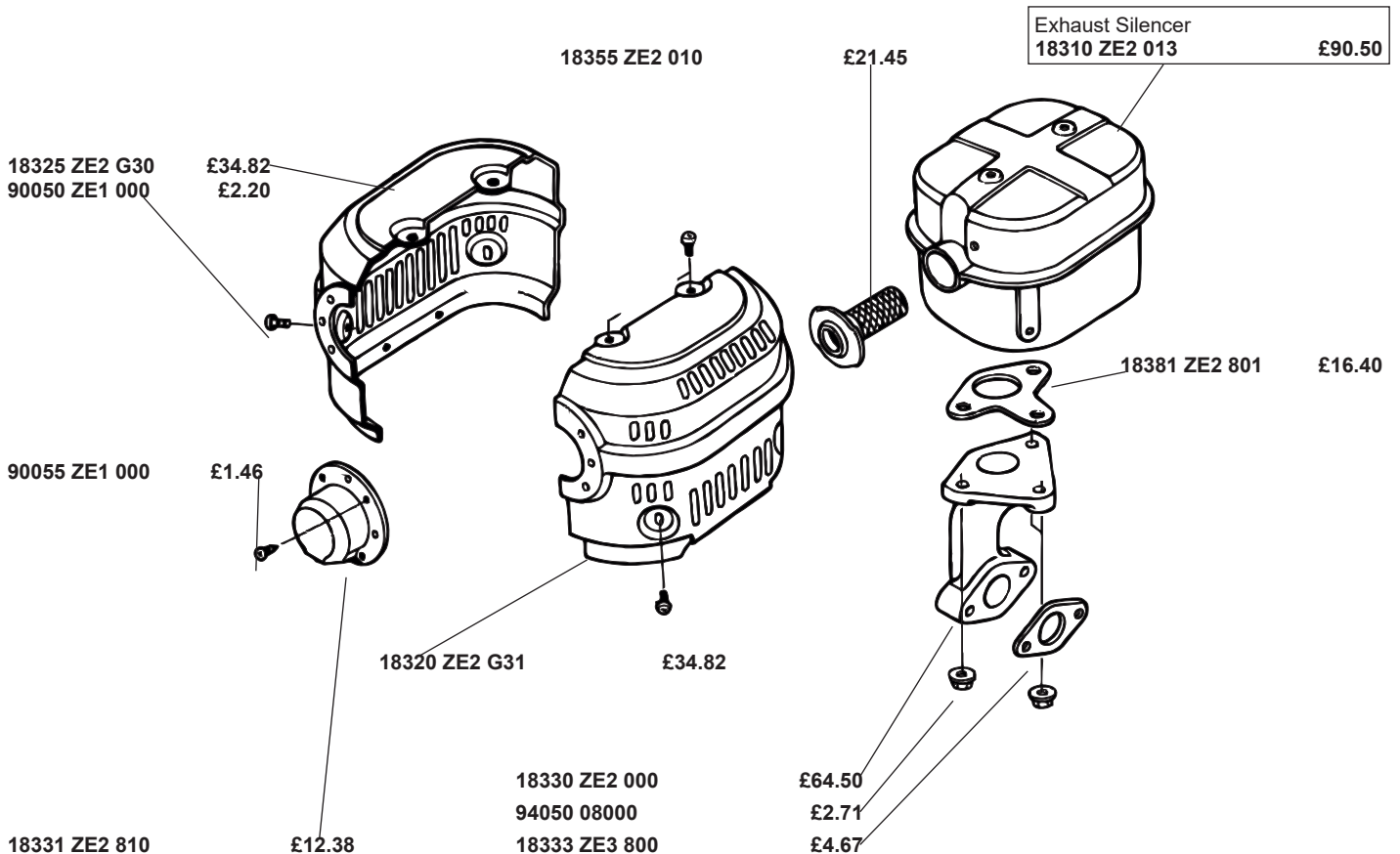
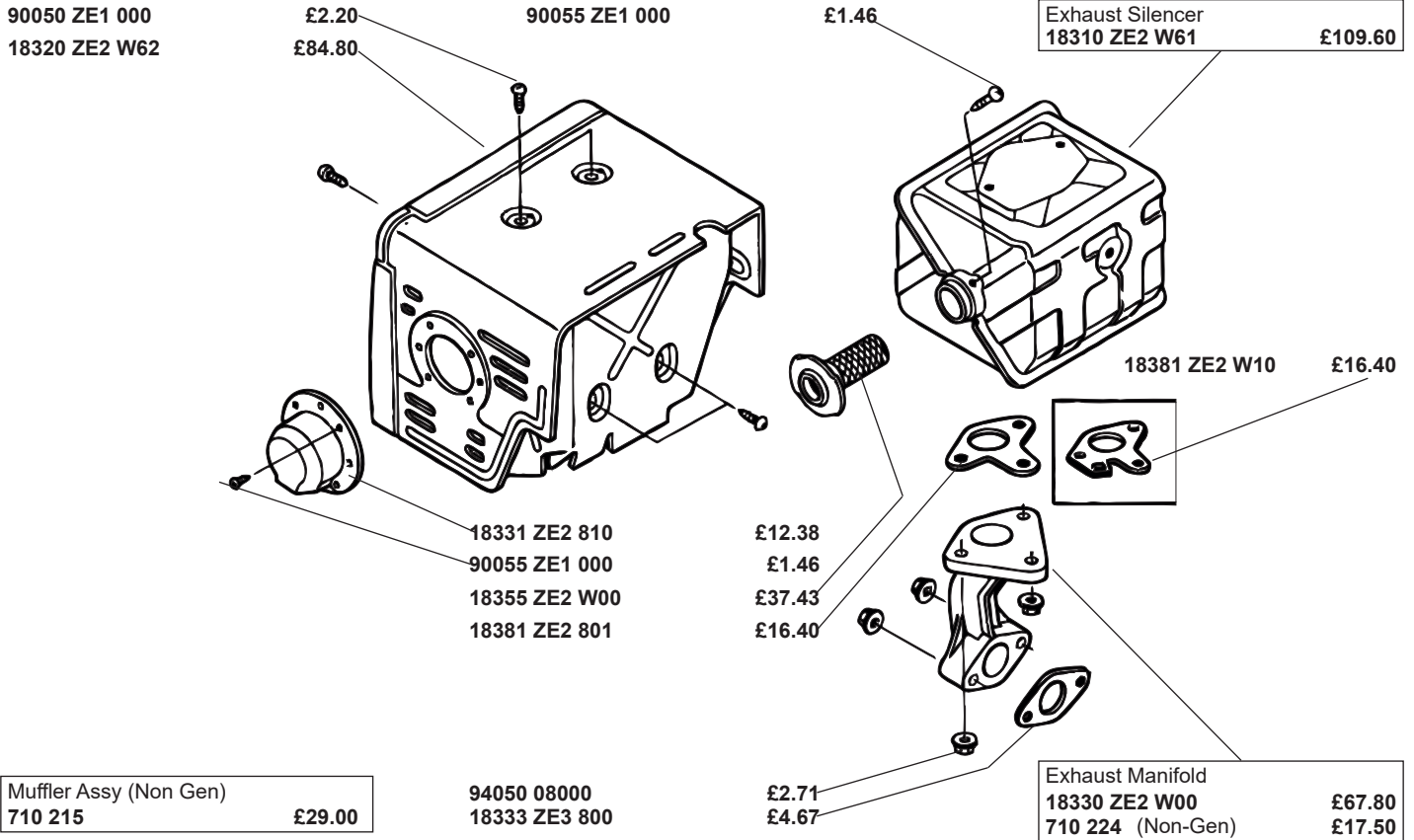


Gasket Sets
(GX240)
061A1 ZE2 S01 (Old Type) £29.75
06111 ZE2 408 (New Type) NLA
710 198 (Non-Gen) £8.50
(GX270)
06111 ZH9 405 £37.57

Honda GX240 / GX270 - Recoil Starter & Fuel Tank

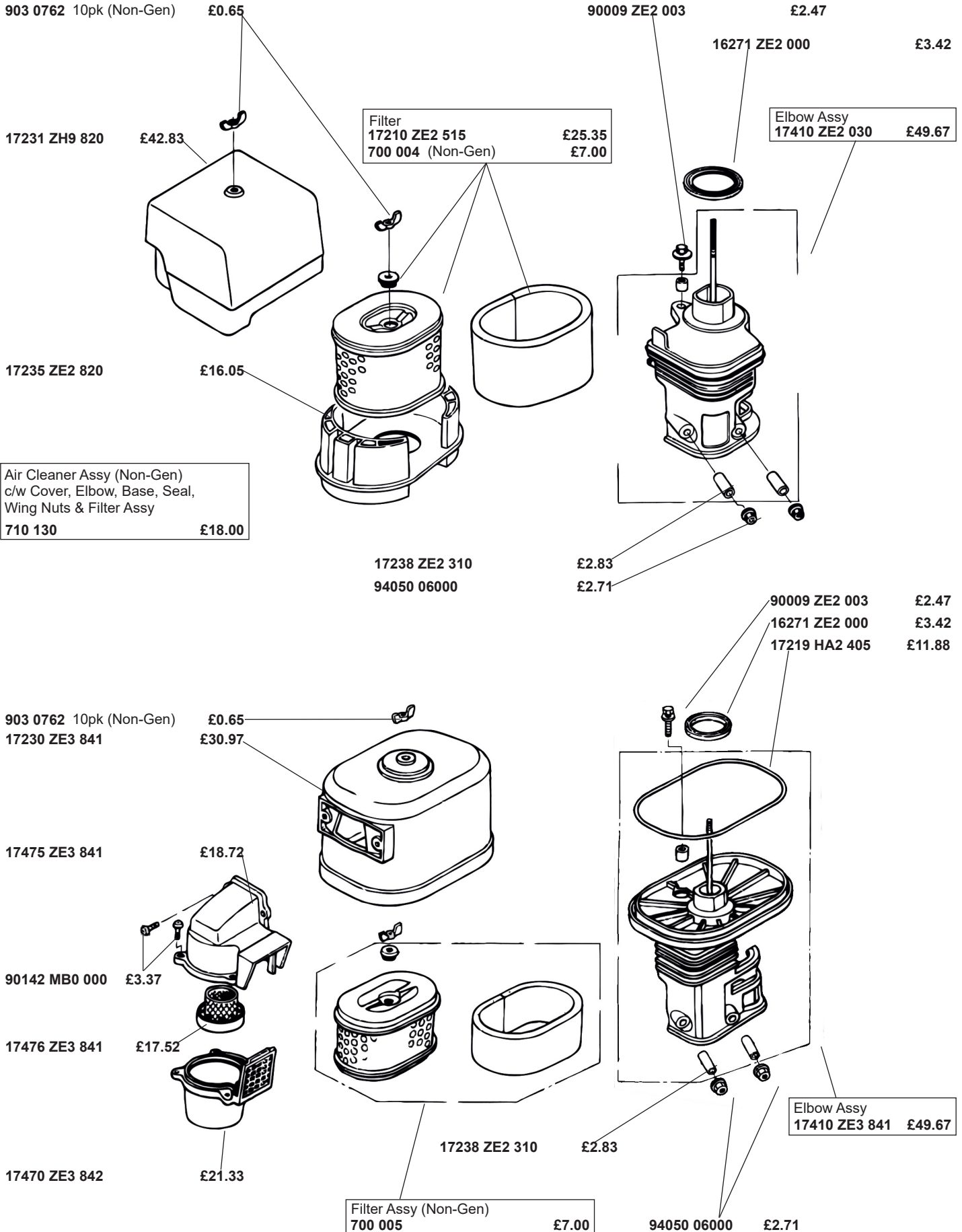


Honda GX240 / GX270 - Exhaust



E - Honda GX240 / GX270 Spares

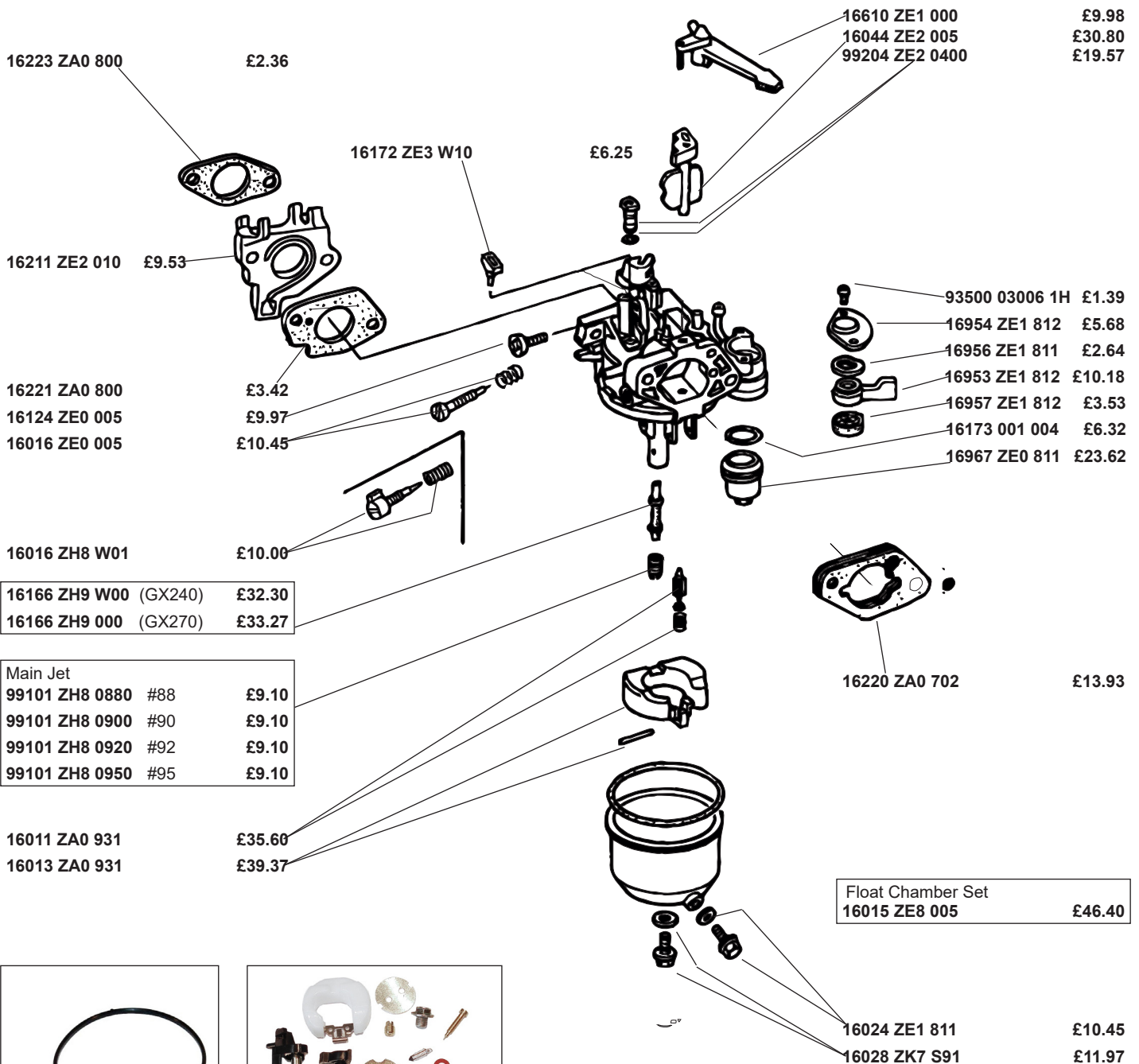
Honda GX240 / GX270 - Air Cleaner & Cyclonic Air Cleaner



Honda GX240 / GX270 - Carburettor

GX240 Carburettor Assy	
16100 ZE2 W32	£70.73
710 173 (Non-Gen)	£23.00

GX270 Carburettor Assy	
16100 ZH9 W21	£128.50
710 211 (Non-Gen)	£19.00



Honda GX240 / GX270 - Throttle Control

Governor Spring (Thick)
16561 ZE2 000

£3.52

94050 06000 £2.71
90015 ZE5 010 £2.57
16551 ZE2 000 £14.57

Throttle Spring (Thin)
16562 ZE2 000

£3.27

16555 ZE2 000 £4.53

90114 SA0 000
16575 ZE2 W00
16574 ZE1 000

£3.40

£4.55

£1.73

93500 05028 0A
16584 883 300
16592 883 310

£1.40

£3.68

£2.05

90013 883 000
16581 ZE2 W00

£3.33

£21.23

16571 ZE2 W00 £10.70

93500 05016 0A
16576 891 000
90013 883 000

£1.40

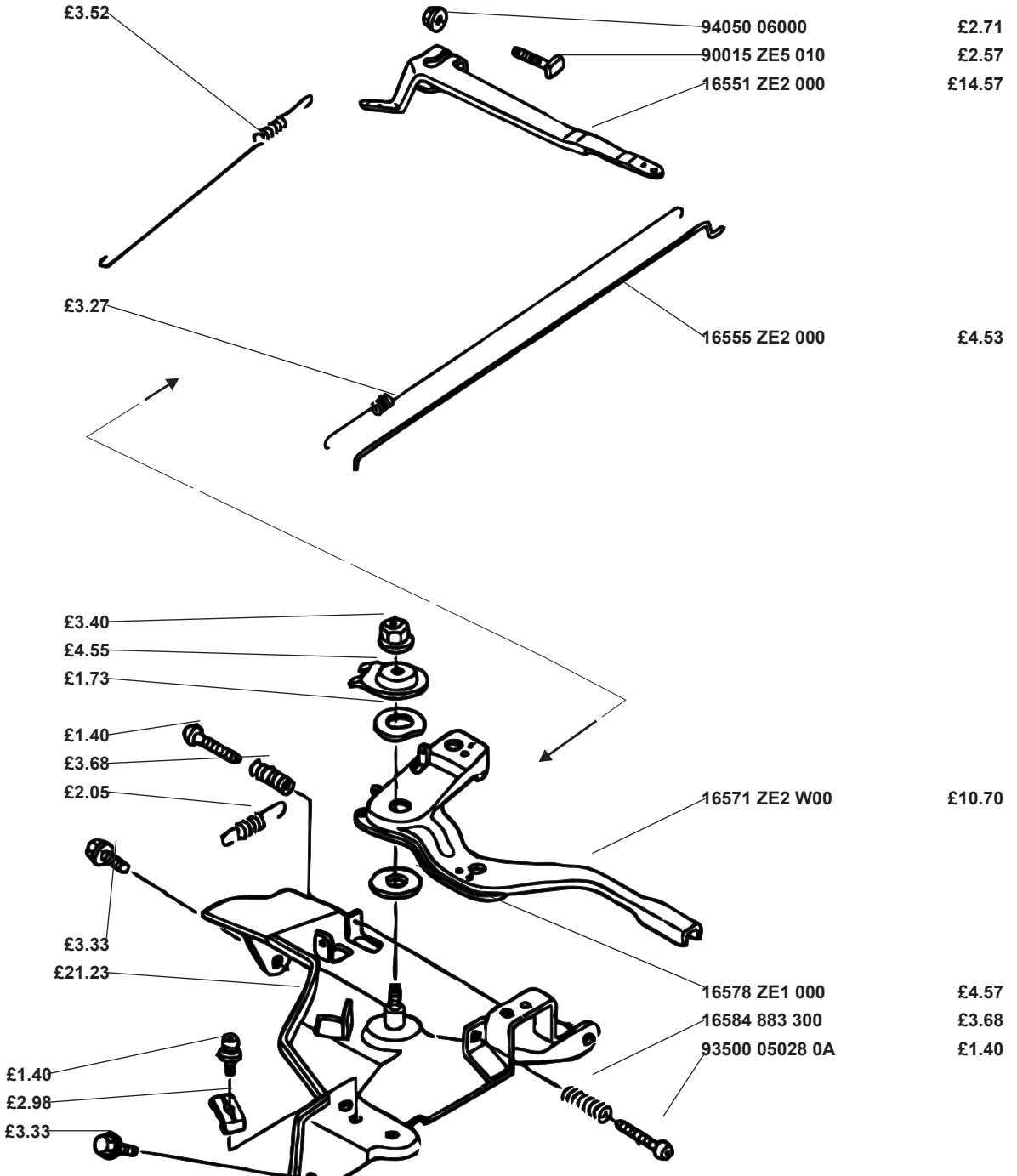
£2.98

£3.33

16578 ZE1 000 £4.57

16584 883 300 £3.68

93500 05028 0A £1.40



Throttle Lever Assy
16570 ZE2 W20 £48.47

Honda GX340 / GX390 - Cylinder Head & Camshaft

Newer 'UT2' Engines

The latest range of Honda GX engines have many internal and external parts which are not interchangeable with older engines.

Please contact us with your engine serial number when ordering parts for these engines.

12251 ZE3 W01 (GX340)	£12.58
12251 ZF6 W00 (GX390)	£13.63
94301 12200	£2.47
90042 ZE8 000	£7.53
Inlet Valve Guide Assy 12204 ZE2 306	£11.58
Exhaust Valve Guide Assy 12205 ZE2 305	£11.58
Clip Only 12216 ZE2 300	£2.85
90441 ZE2 010	£4.85
BPR6ES	£1.60
90047 ZE2 000	£4.87
95701 10080 00	£2.62
90014 ZE2 000	£5.63
12310 ZE3 791	£49.67
12391 ZE2 020	£11.90
12315 ZE3 840	£7.40
Cylinder Head (includes valve guides) 12200 ZF6 406	£293.50
14775 ZE2 010	£3.72
14751 ZE2 003	£4.95
Exhaust Valve Collet 14773 Z8S 000	£2.22
14781 ZE2 000	£4.77
Exhaust Valve 14721 ZE3 000	£36.37
Inlet Valve 14711 ZE3 000	£21.07
Camshaft Assy 14100 ZE3 020 (GX340)	£193.40
14100 ZF6 W01 (GX390)	£206.30
Inlet Valve Collet 14771 ZE2 000	£2.14
12209 ZE8 003	£7.38
14441 ZE2 000	£17.82
14410 ZE3 013	£9.83
14791 ZE2 010	£3.55
90012 ZE0 010	£7.17
14431 ZE2 000	£9.40
14451 Z4M 000	£4.20
90206 ZE1 000	£1.91

Honda GX340 / GX390 - Piston & Crankcase Cover

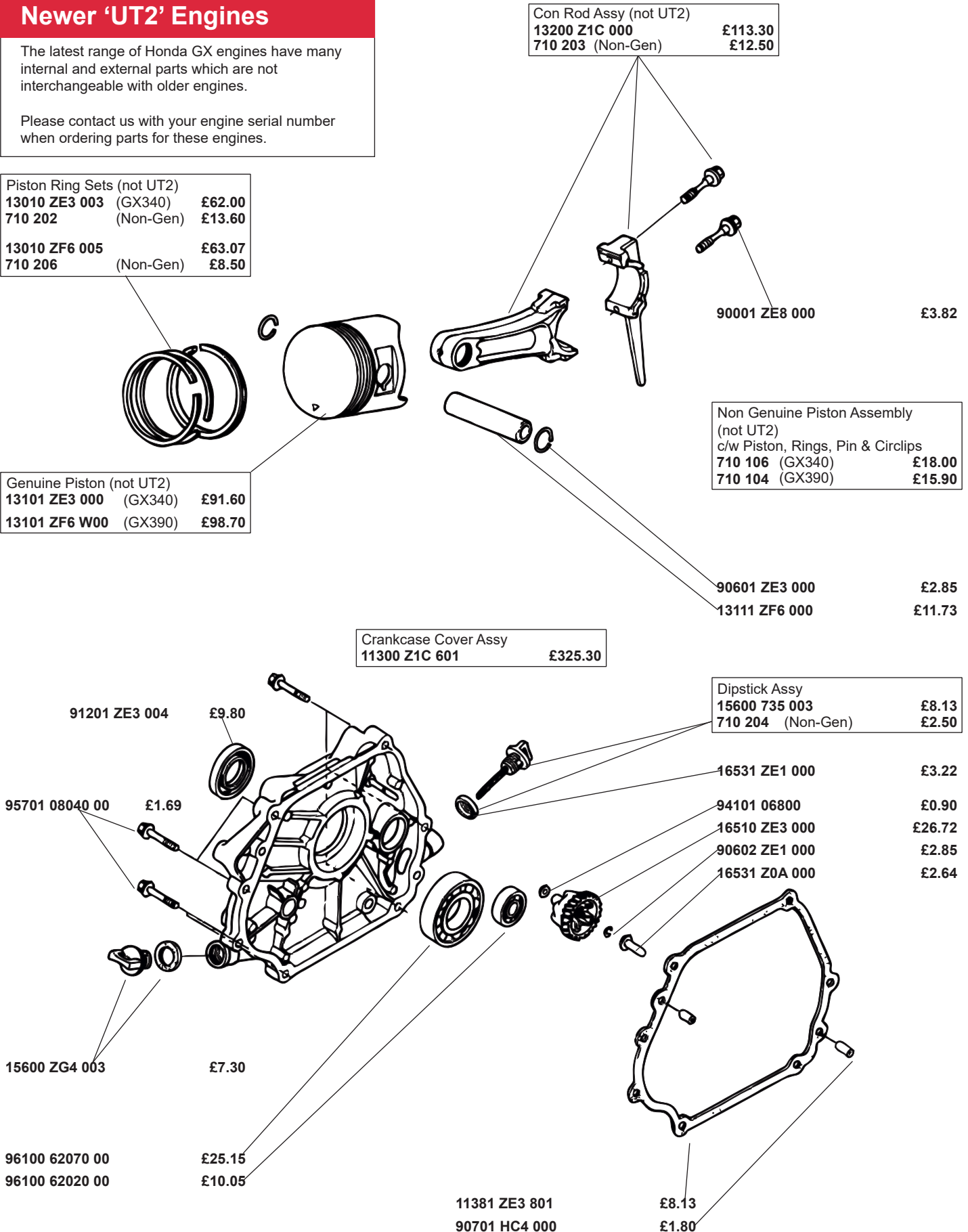
Newer 'UT2' Engines

The latest range of Honda GX engines have many internal and external parts which are not interchangeable with older engines.

Please contact us with your engine serial number when ordering parts for these engines.

Piston Ring Sets (not UT2)		
13010 ZE3 003	(GX340)	£62.00
710 202	(Non-Gen)	£13.60
13010 ZF6 005		£63.07
710 206	(Non-Gen)	£8.50

Genuine Piston (not UT2)		
13101 ZE3 000	(GX340)	£91.60
13101 ZF6 W00	(GX390)	£98.70



Honda GX340 / GX390 - Crankcase & Flywheel

Crankcase Assy
12000 ZF6 417 (GX390) £617.00

Oil Level Sensor
15510 ZE2 053 £55.50

Oil Alert Unit
34150 ZH7 023 £40.80
710 230 (Non-Gen) £5.50

1" Crankshaft (Non-Gen)
710 218 (GX390) £62.00

Part Number	Description	Price
94251 10000		£1.40
91307 PH7 660		£2.56
95701 06012 00		£0.88
94050 10000		£2.71
96100 62020 00		£10.05
94109 12000		£1.10
90131 896 650		£5.27
90446 KE1 000		£1.22
16541 ZE3 010		£13.02
91201 ZE9 003		£3.32
95701 06008 00		£1.24
91201 ZE3 004		£9.80
31100 ZE3 701		£229.20
90741 ZE2 000		£3.68
28451 ZE3 W01		£28.88
19511 ZE3 000		£33.97
28450 ZE3 W11		£38.47
90201 ZE3 790		£7.75

Honda GX340 / GX390 - Fan Cover & Ignition Coil

Double Wire Stop Switch
36100 ZF6 P82 £23.55
710 169 (Non-Gen) £2.65

16731 ZE2 003
19631 ZE3 W00

£2.85
£13.38

90013 883 000

£3.33

32197 ZH8 003 £10.27

Single Wire Stop Switch
35120 Z0D V81 £15.03
710 126 (Non-Gen) £2.75

95701 06008 00 £1.24

Oil Alert Switch
15520 ZE2 003 £81.56
710 163 (Non-Gen) £24.54

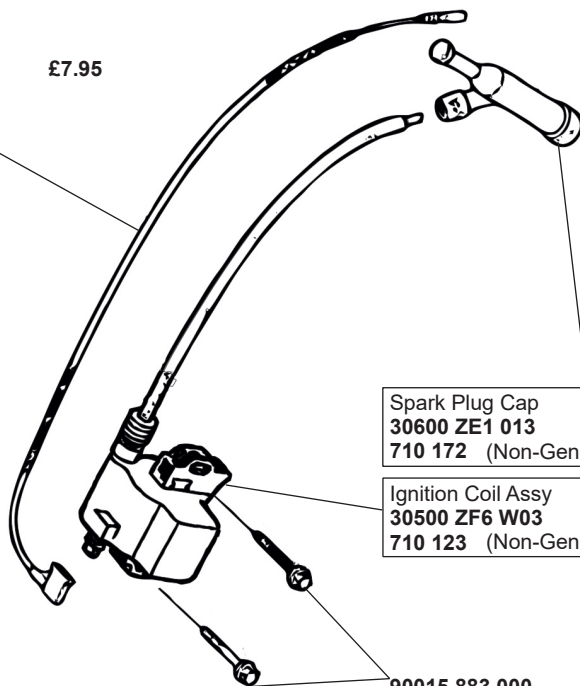
Fan Cover
19610 ZE3 W01ZF £136.40
710 105 (Non-Gen) £22.00



Stop Switch Cord
36101 ZE2 701 £7.95



Gasket Sets - GX340
06111 ZE3 405 £44.12
710 201 (Non-Gen) £7.80
Gasket Sets - GX390
06111 ZF6 406 £33.60
710 176 (Non-Gen) £7.95



Spark Plug Cap
30600 ZE1 013 £25.22
710 172 (Non-Gen) £2.55

Ignition Coil Assy
30500 ZF6 W03 £126.00
710 123 (Non-Gen) £12.50

90015 883 000 £2.83

Honda GX340 / GX390 - Recoil Starter & Fuel Tank

Recoil Starter Assembly

90004 ZE2 W01	£3.48
28444 ZE2 W01	£13.30
28441 ZE2 W01	£4.93
28422 ZE2 W01	£8.00
28443 ZE2 W01	£4.13

Recoil Starter Assembly

28400 ZE3 W02ZP	£112.10
710 205 (Non-Gen)	£15.00

Non-Gen Pawl Kit

710 127	£6.40
---------	-------

28421 ZE3 W01 £37.15
28462 ZE2 W01 £9.44

28442 ZE2 W01 £21.65
28410 ZE3 W01ZP (Cover Only) £111.90

Starter Grip

28461 ZH8 003	£9.68
710 207 (Non-Gen)	£0.95

90008 ZE2 003 £2.42

Metal Tank Cap Assy

710 209 (Non-Gen)	£4.10
-------------------	-------

Metal Tank Cap Assy

17620 Z4H 010	£37.16
---------------	--------

Cap Rubber Only

17631 Z0T 812	£3.42
---------------	-------

17672 ZE2 W01 £9.80

17672 880 000 £17.73
17673 893 000 £8.93

Plastic Cap Assy

17620 Z0T 305	£17.47
710 121 (Non-Gen)	£3.40

Cap Gasket Only

17631 329 013	£2.13
---------------	-------

Fuel Tank Assy

17510 ZE3 030ZA	£140.00
710 221 (Non-Gen)	£19.90

16854 ZH8 000 £2.90

94050 08000 £2.71
95701 08025 00 £1.69
91307 PH7 660 £2.56

Fuel Strainer Assy

16955 ZE1 010	£12.18
710 122 (Non-Gen)	£3.95

95002 02080 £1.06

Fuel Hose (1 Metre Cut)

95001 4500160M	£14.38
----------------	--------

Honda GX340 / GX390 - Exhaust

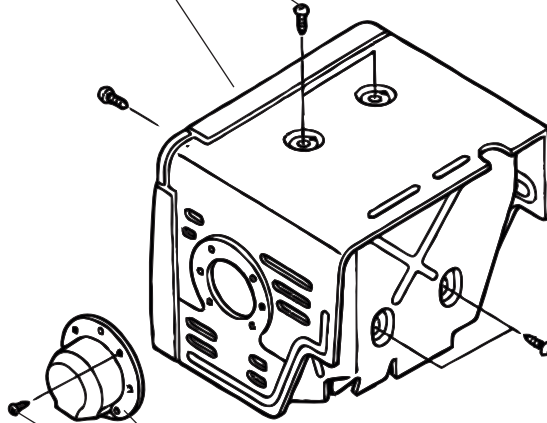
90050 ZE1 000
18320 ZE2 W62

£2.20
£84.80

90055 ZE1 000

£1.46

Exhaust Silencer
18310 ZE2 W61 £109.60

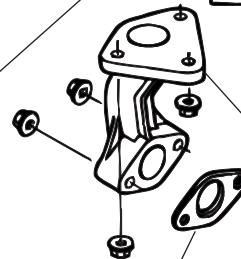


18381 ZE2 W10 £16.40



18331 ZE3 811
90055 ZE1 000
18355 ZE2 W00
18381 ZE2 801

£12.38
£1.46
£37.43
£16.40



Muffler Assy (Non Gen)
710 214 £27.90

94050 08000
18333 ZE3 800

£2.71
£4.67

Exhaust Manifold
18330 ZE2 W00 £67.80
710 224 (Non-Gen) £17.50

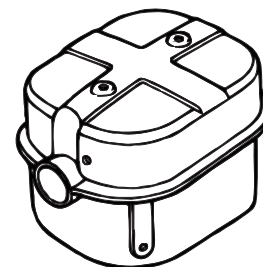
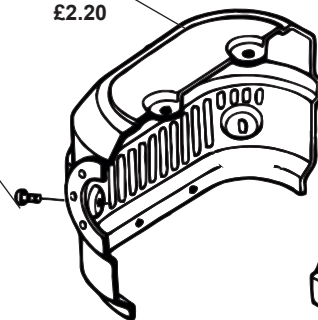
18336 ZE3 000

£12.63

18325 ZE3 G10
90050 ZE1 000

£39.90
£2.20

18310 ZE3 003 £114.80



18381 ZE2 801 £16.40

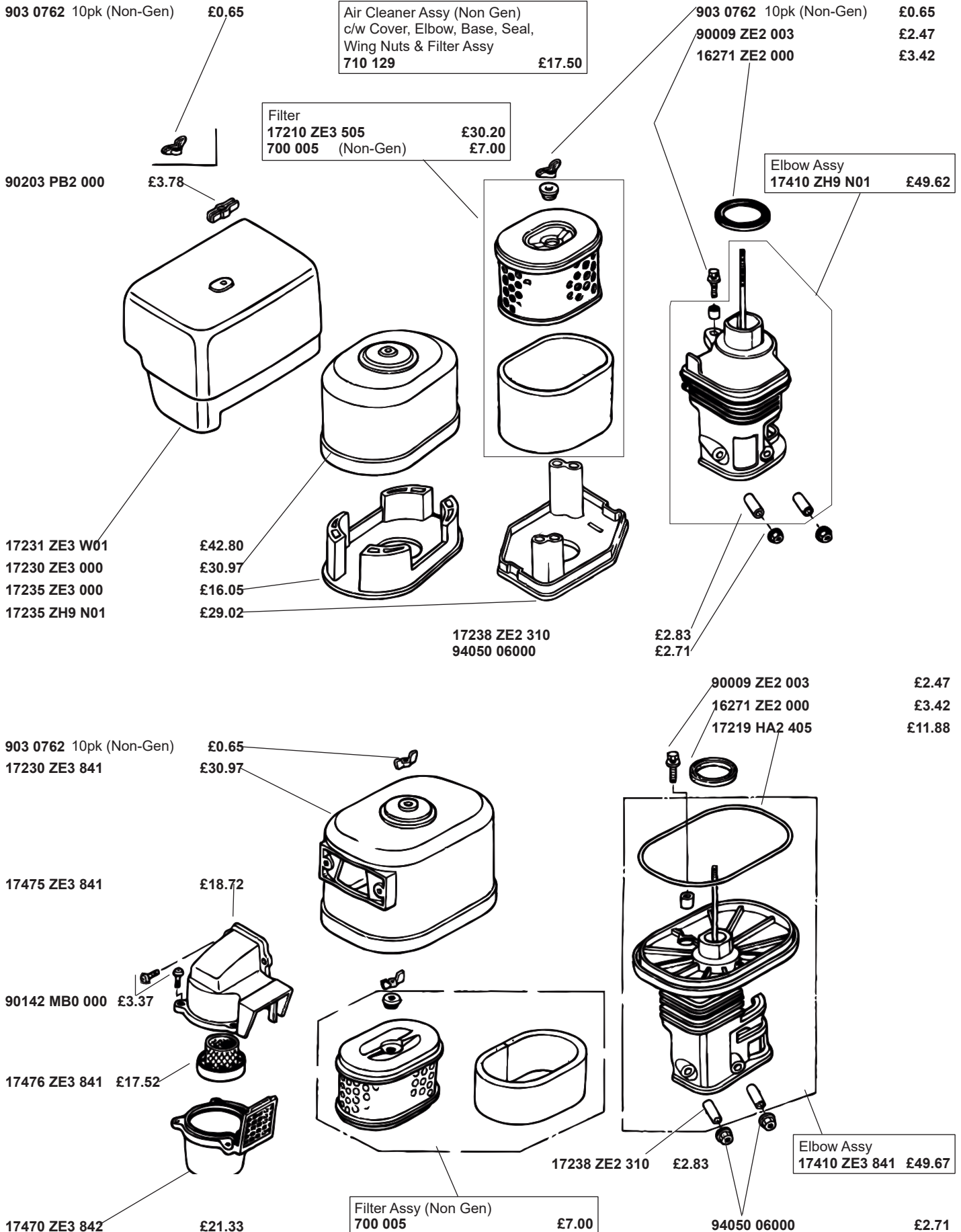
18320 ZE3 G10 £38.73

90055 ZE1 000 £1.46
18331 ZE3 811 £12.38

18330 ZE2 000
94050 08000
18333 ZE3 800

£64.50
£2.71
£4.67

Honda GX340 / GX390 - Air Cleaner & Cyclonic Air Cleaner

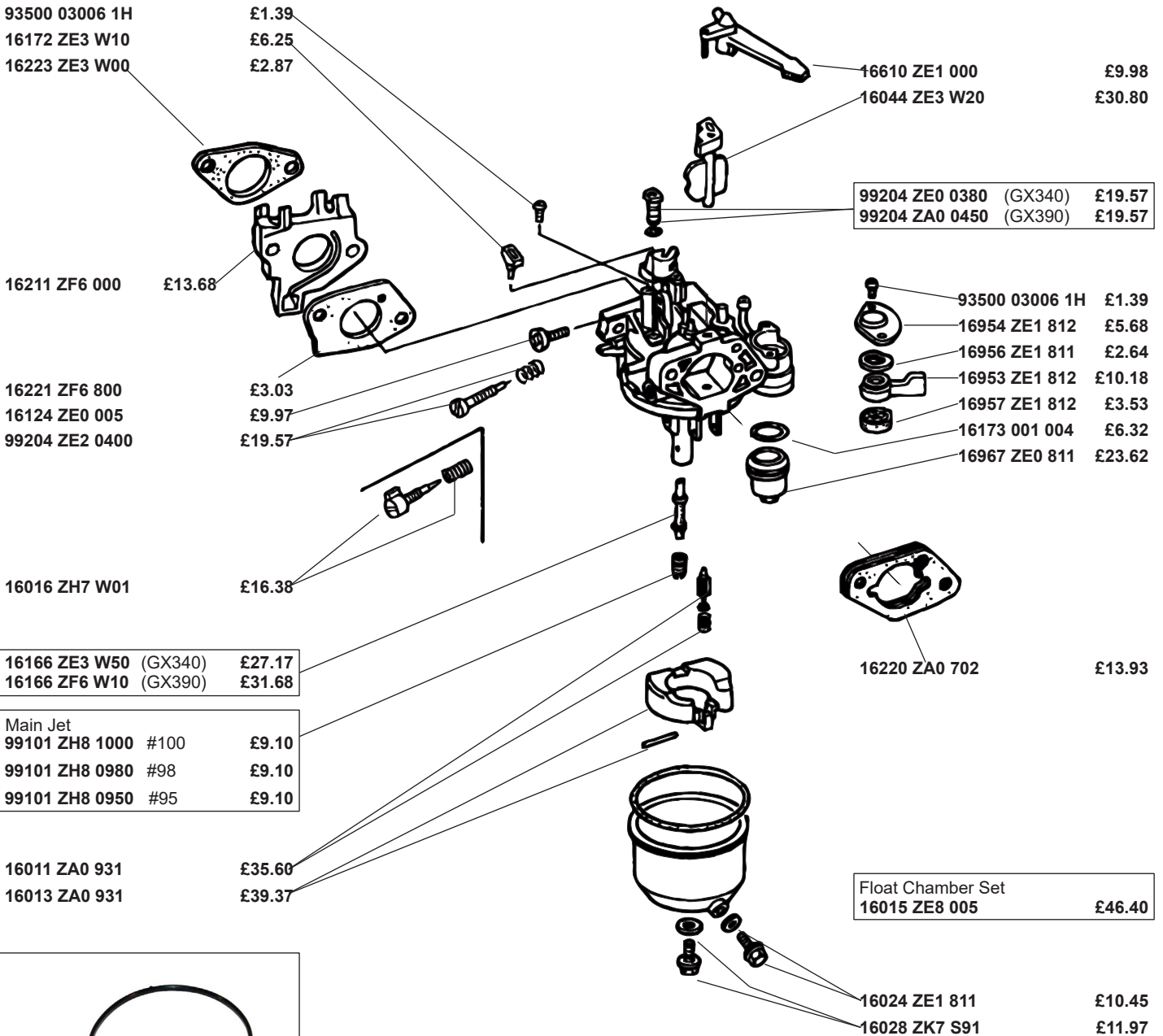


E - Honda GX340 / GX390 Spares

Honda GX340 / GX390 - Carburettor

GX340 Carburettor Assy	
16100 ZE3 W32	£128.10
710 175 (Non-Gen)	£13.60

GX390 Carburettor Assy	
16100 ZF6 W31	£158.80
710 177 (Non-Gen)	£19.50
16100 Z5T P72 £169.70	
(Floor Saw Spec when fitted with Cyclone Filter System)	



Carb Seal Kit	
16010 ZE2 015	£17.20
Full Repair Kit	
710 165 (Non-Gen)	£9.90

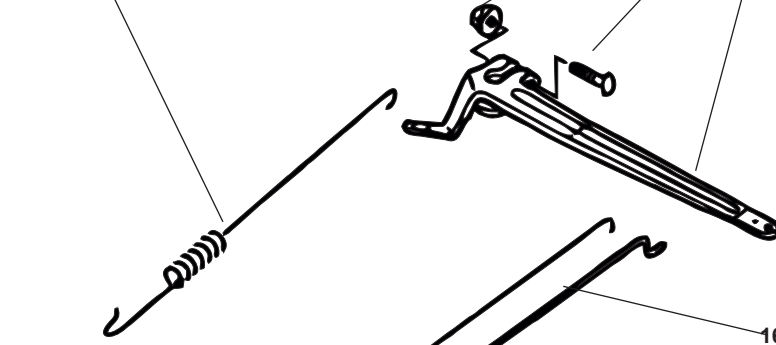
Honda GX340 / GX390 - Throttle Control

Governor Spring (Thick)
16561 ZE3 000

£4.17

94050 06000
90015 ZE5 010
16551 ZE3 000

£2.71
£2.57
£14.57

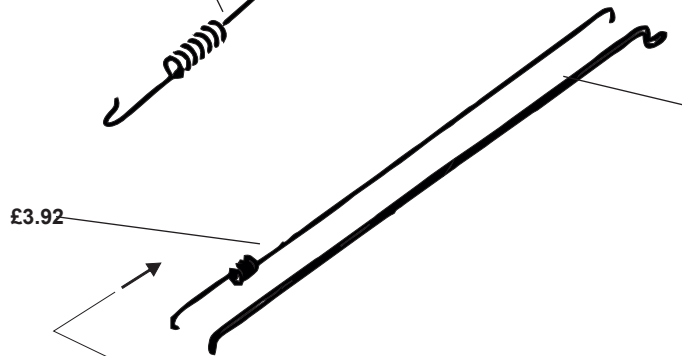


Throttle Spring (Thin)
16562 ZE3 000

£3.92

16555 ZE3 000

£4.53



90114 SA0 000
16575 ZE2 W00
16574 ZE1 000
16571 ZE3 000
16592 883 310
16578 ZE1 000

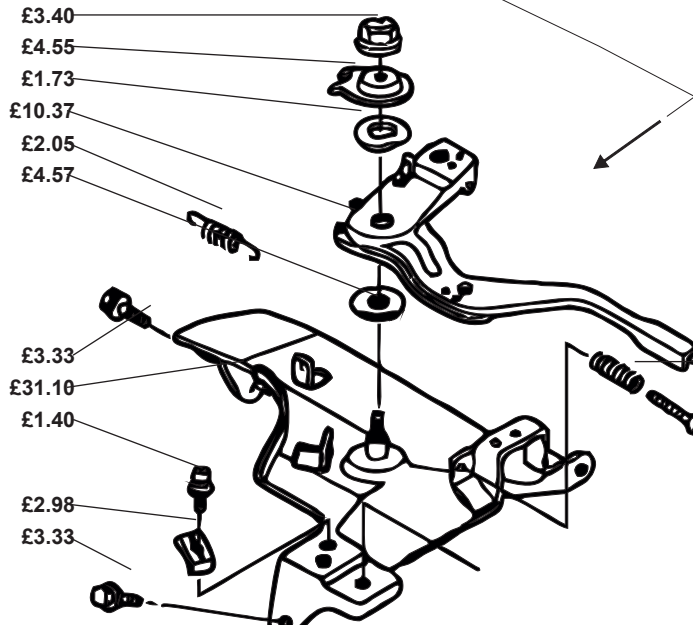
£3.40
£4.55
£1.73
£10.37
£2.05
£4.57

90013 883 000
16581 ZE3 W00
93500 05016 0A

£3.33
£31.10
£1.40

16576 891 000
90013 883 000

£2.98
£3.33



16584 883 300
93500 05032 0A

£3.68
£1.40

Throttle Lever Assy
16570 ZE3 W20 £64.17

Yanmar L48AE - Cylinder Block

Oil Seal
160210 02220 £9.06
320 207 (Non-Gen) £6.80

Dipstick
114299 01760 £4.38
320 047 (Non-Gen) £1.00

Crankcase Gasket
114250 01412 £18.61
320 055 (Non-Gen) £3.50

26106 080352 £2.34

26106 060252 £1.89

320 171 (Non-Gen) £5.90

114299 01230 £4.67

114250 01221 £10.83

124950 01250 £8.22

23876 010000 £4.31

114270 01600 £2.59
114299 35150 £4.86

114250 01200 £2.66

114250 01210 £2.64

Plain Bearing
114250 02100 £13.78
320 328 (Non-Gen) £7.20

Head Gasket
114770 01340 £3.83
320 050 (Non-Gen) £1.90

O-Ring
114250 01380 £4.58
320 190 (Non-Gen) £0.95

26106 100122 £3.11

Ball Bearing
114250 02113 £34.99
320 344 (Non-Gen) £26.40

26366 060002 £2.34
114250 01830 £5.12
114250 01841 £2.83
26366 060002 £2.34
24162 152112 £29.77

Pump Shim
114299 01800 (Set of 3) £17.13
320 332 (Non-Gen) £1.11

26106 080122 £1.89
114299 02030 £1.76
26226 060182 £2.34
26226 060222 £3.11

Dipstick
114299 01760 £4.38
320 047 (Non-Gen) £1.00

Oil Seal
24421 304508 £8.27
320 207 (Non-Gen) £6.80

22190 160002 £4.62
105425 01690 £6.63

Cylinder Block
114149 01010 POA

Crankcase Cover (AE-D)
114260 01455 POA

Drain Plug & Washer
320 347 (Non-Gen) £1.11

Yanmar L48AE - Cylinder Head

26106 060552

£2.08

Decomp Lever
114250 03591
320 339 (Non-Gen)

£35.79
£7.60

22312 030160

£2.51

Bonnet Assy
114250 11951
320 172 (Non-Gen)

£221.10
£13.90

114250 03640

£4.70

Rocker Cover Gasket
114250 11311
320 053 (Non-Gen)

£6.57
£1.00

Valve Rotator
119260 11370
320 333 (Non-Gen)

£14.16
£1.65

Valve Collet (pair)
27310 055001
320 331 (Non-Gen)

£5.42
£2.95

114250 11600
26106 080452
26856 060002

£4.69
£2.34
£1.89

Spring Retainer
114250 11180
320 343 (Non-Gen)

£6.57
£3.05

714270 11660

£38.28

114250 11240

£9.01

Valve Rotator
119260 11370
320 333 (Non-Gen)

£14.16
£1.65

114299 11120

£5.41

114250 11341

£9.42

114250 11290

£24.05

26856 060002
114250 11651
114250 11240
22351 040008

£1.89
£38.28
£9.01
£1.89

26366 060002

£2.34

114299 11901

£2.51

26226 060502

£1.78

114350 11470

£3.88

114250 11460

£17.93

Exhaust Valve
114250 11113
320 176 (Non-Gen)

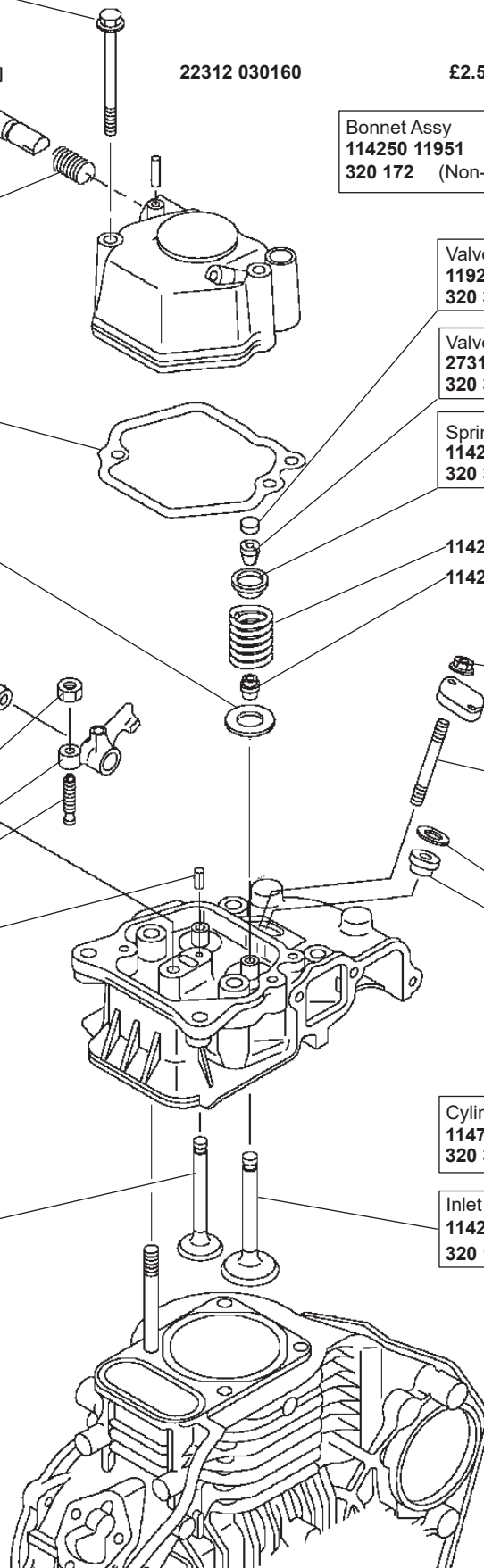
£17.42
£8.00

Cylinder Head
114770 11020
320 369 (Non-Gen)

POA
£75.00

Inlet Valve
114250 11101
320 175 (Non-Gen)

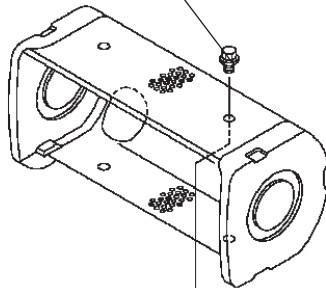
£20.26
£9.90



Yanmar L48AE - Air Cleaner & Exhaust

26106 060082

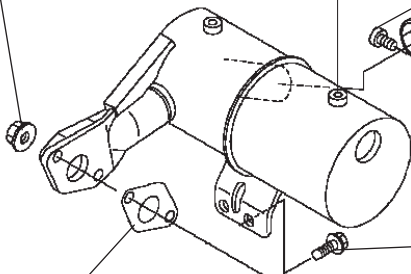
£1.50



Exhaust Assy	
114770 13551	£189.20
320 067 (Non-Gen)	£23.00

26306 080002

£1.84



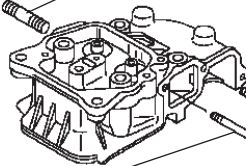
Deflector Assy
114288 13800

£37.11

26106 060122
26216 080182

£2.47
£2.65

Gasket	
114299 13200	£8.57
320 004 (Non-Gen)	£1.50



26106 060252
26226 060142

£1.89
£1.78

26226 060552

£2.51

114299 12200

£3.31

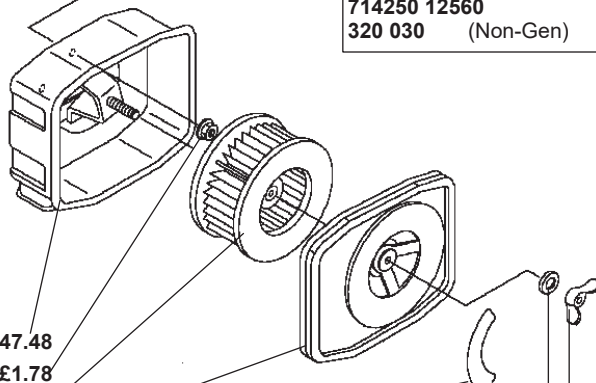
114299 12010

£32.19

114250 12211

£5.01

Air Filter Assy	
714250 12560	£141.90
320 030 (Non-Gen)	£13.60



Gasket Set	
320 150 (Non-Gen)	£3.95

114250 12530	£47.48
114250 12300	£1.78
LA271 (Non-Gen)	£3.90
114250 12520	£52.00
114770 07450	£13.41
114250 12560	£3.55
903 0762 (10pk Non-Gen)	£0.65

Yanmar L48AE - Piston, Crankshaft & Camshaft

24101 062020 £9.03

160642 21250 £5.20

160310 14550 £4.67

114250 14451 £17.80

114250 14200 £22.69

Camshaft
714299 14580 £251.90
114771 14260 £30.45

24101 062050 £21.51

26106 080202 £1.89
160310 14550 £4.67
22512 050300 £3.00

Camshaft (Non-Gen)
320 372 £118.20

Balancer
714770 28511 £133.90

24101 062020 £9.03

119265 23200 £9.00

160642 21150 £4.70
22512 040120 £2.92

Ring Set
714295 22500 £51.59
320 017 (Non-Gen) £12.50

Piston & Rings
714299 22720 £97.40
320 192 (Non-Gen) £29.50

Gudgeon Pin
114299 22300 £11.07
320 195 (Non-Gen) £3.50

22252 000190 £1.89

Con Rod Assys
714770 23700 (inc shells) £149.80
320 201 (Non-Gen) £28.00

Big End Shells
114740 23600 (Genuine) £21.89
(Only fits genuine con rod)
320 204 (Non-Gen) £13.00
(Only fits non genuine con rod)

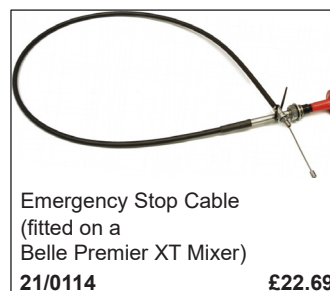
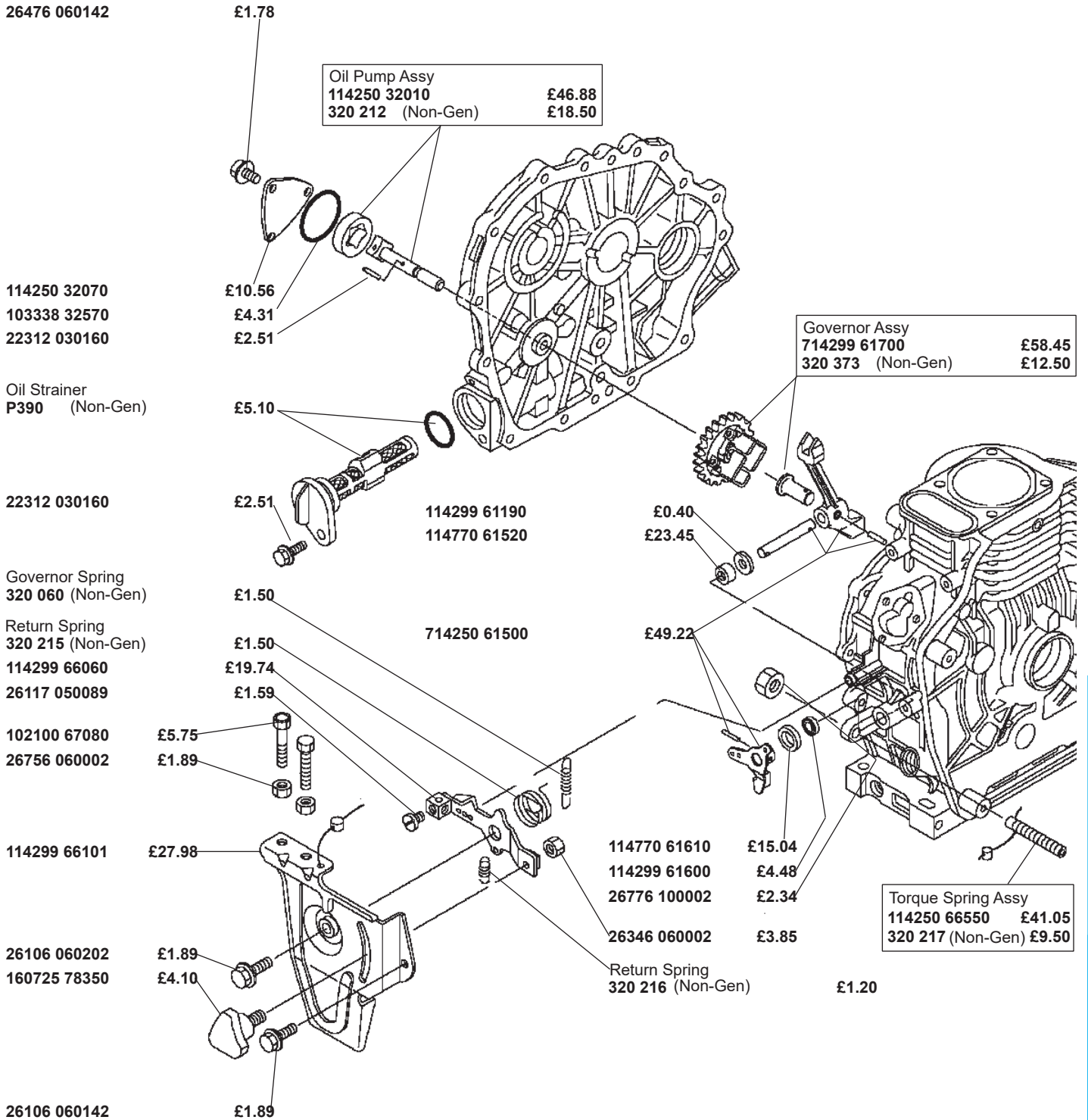
114299 21400 £182.20
114299 21550 £4.94
114299 21220 £12.45

Ring Gear Only
114262 21600 £159.00
320 356 (Non-Gen) £16.00

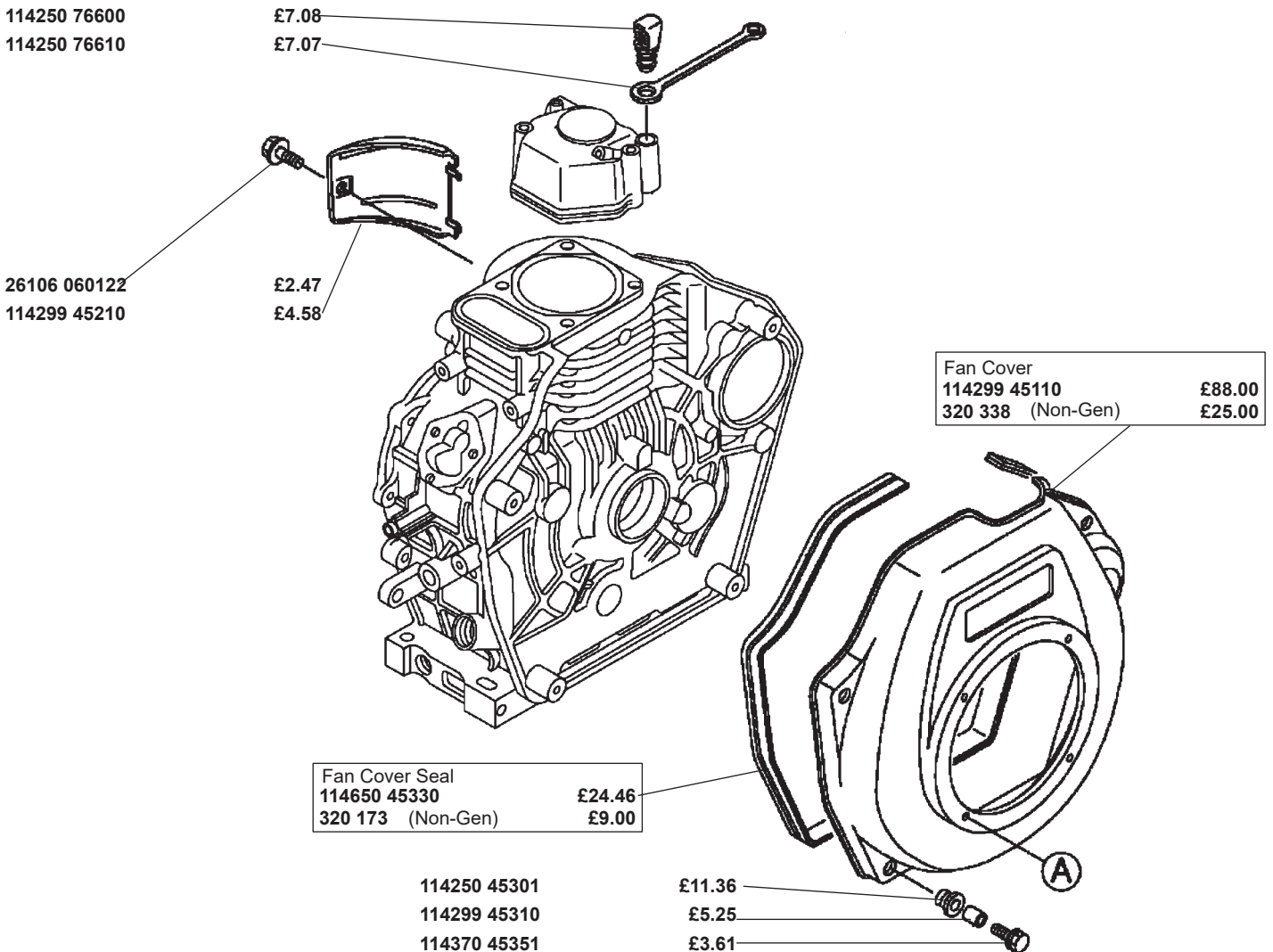
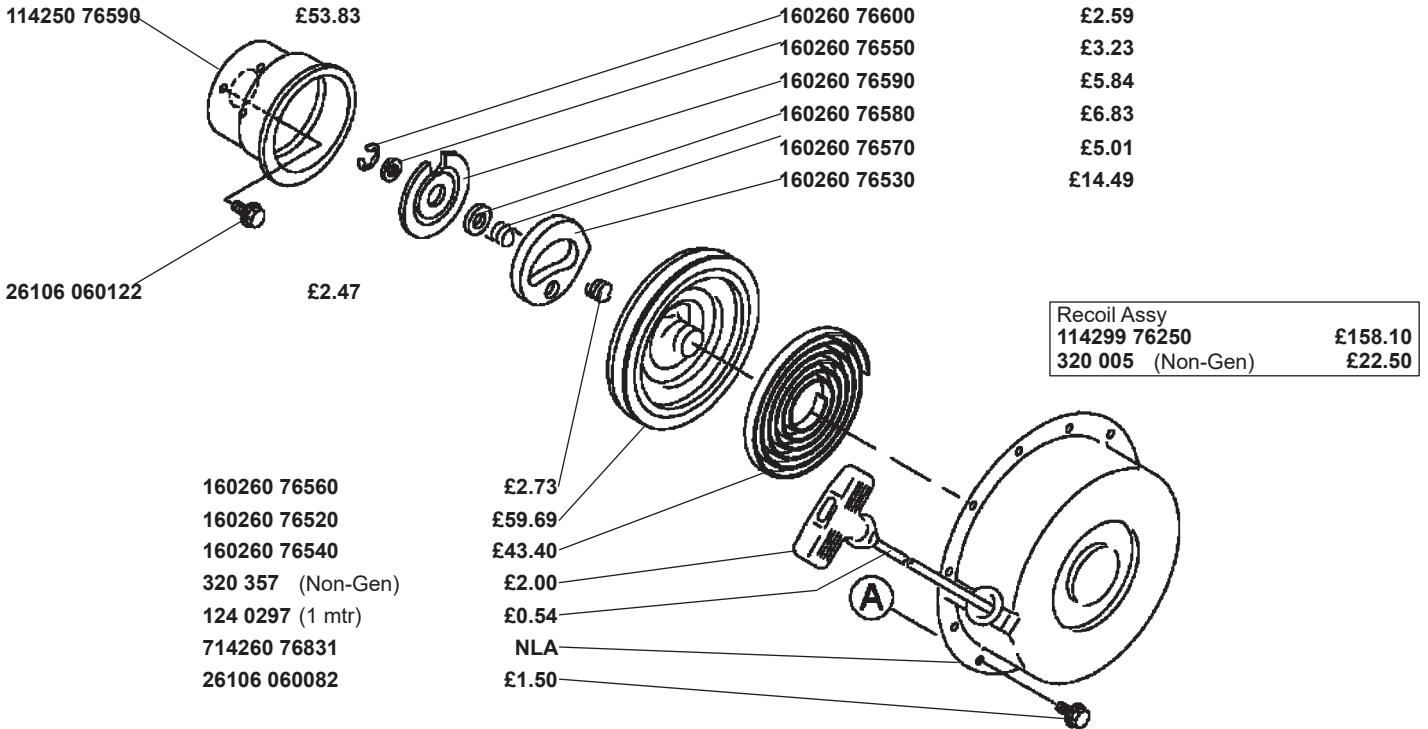
114299 21590 £235.60

Non Genuine Crankshafts
3/4" Straight
320 350 £77.40
Tapered
320 227 £77.40
1/2 Speed (Mixer)
320 210 £77.40

Yanmar L48AE - Oil Pump, Governor & Throttle Control



Yanmar L48AE - Fan Cover & Recoil Starter



Yanmar L48AE - Injector & Fuel Pump

Fuel Injector L48AE

114250 53331 £2.75

114250 53130 £4.70

114250 53140 £19.54

114250 53210 £2.92

114250 53001 £145.50

114250 53080 £22.40

114250 53300 £71.09

114250 53600 £4.90

114250 53120 £5.01

L Series Fuel Injectors		
714250 53101	(L48AE)	£168.50
714139 53200	(L48N)	£194.70
714870 53200	(L70AE)	£254.80
714239 53200	(L70N)	£170.60
714650 53100	(L100AE)	£191.80
714339 53200	(L100N)	£188.70

L48AE Injector (Not for L48N)		
320 012	(Non-Gen)	£34.00

Fuel Pump L48AE

114250 51340	£15.93
105546 51330	£5.05
124550 51350	£4.25
114250 51300	£70.54
124550 51350	£4.25
114250 51200	£174.10
105546 51020	£4.31
22351 020006	£1.50
22351 030008	£1.78
114250 51080	£10.95
114250 51500	£86.60
114250 51640	£24.05
114250 51160	£7.66
114250 51650	£14.13

Fuel Pump L48AE		
714770 51100	£294.80	
320 007	(Non-Gen) £29.00	

Fuel Pump L48N		
714139 51200	£304.10	



LN Series Engines

Parts are available for the newer L48N, L100N series engines.
Please contact us with your engine number e.g. L48N6CF1F6AA

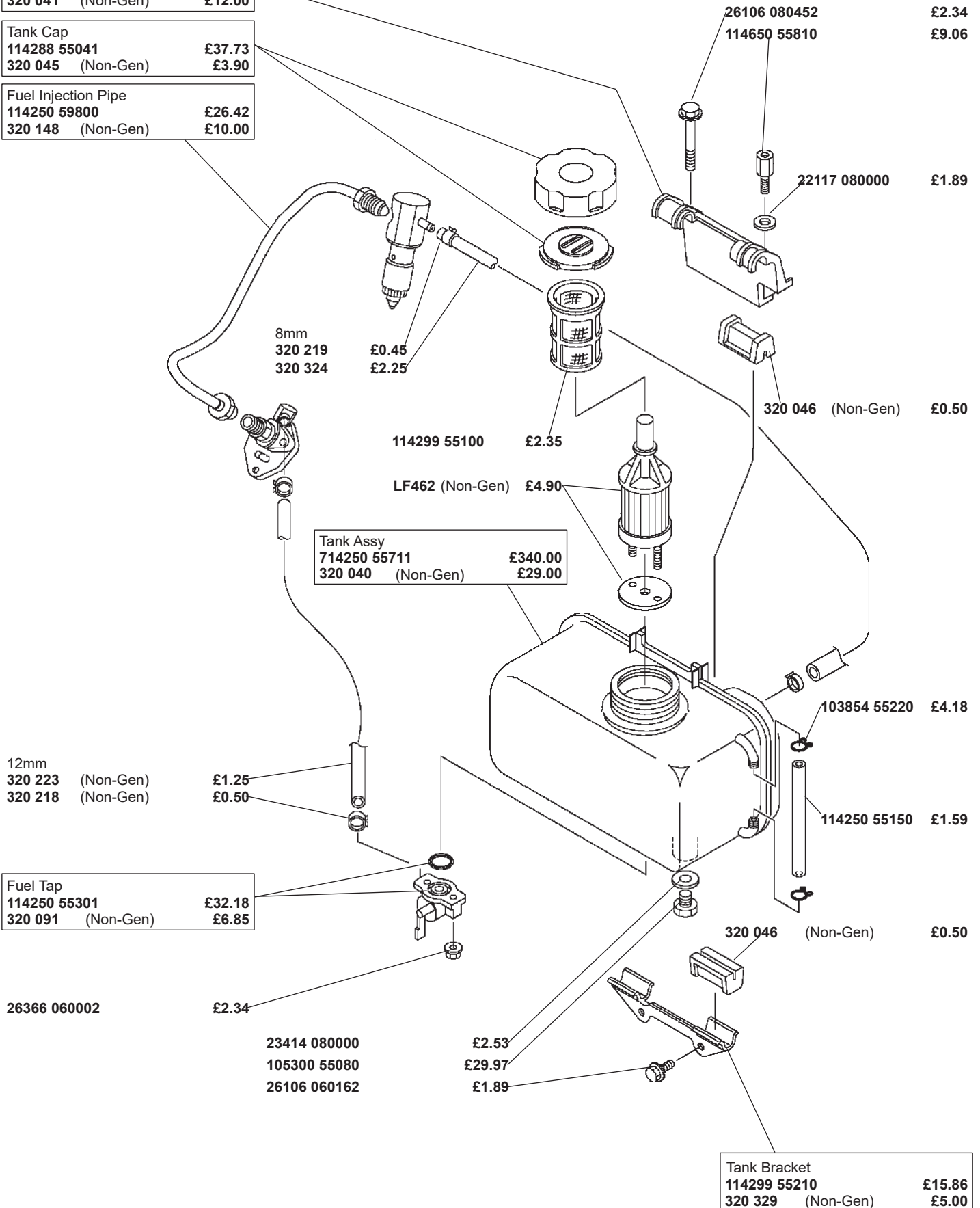


Yanmar L48AE - Fuel System

Tank Bracket	
114299 55230	£44.10
320 041 (Non-Gen)	£12.00

Tank Cap	
114288 55041	£37.73
320 045 (Non-Gen)	£3.90

Fuel Injection Pipe	
114250 59800	£26.42
320 148 (Non-Gen)	£10.00



Yanmar L48AE - Starter Motor

26106 100302 £2.99
26716 080002 £2.34

Starter Motor	
114362 77011	£290.00
320 006 (Non-Gen)	£55.00

3 amp Switch & Harness Assembly
320 358 £14.50

26106 060122 £2.47
160970 77350 £31.24
183350 77400 £3.66

160260 78700 £5.75
26106 060122 £2.47

26577 060152 £1.89
114399 78720 £150.20

114399 78710 £138.90
26106 060202 £1.89

Dynamo Assy	
114399 78250 (1 Amp)	£230.00
320 330 (Non-Gen, 3 Amp)	£37.00

Yanmar L100AE - Cylinder Block

Oil Seal
24423 355008 £9.30
320 208 (Non-Gen) £7.60

Dipstick
114699 01760 £3.86
320 048 (Non-Gen) £1.00

Crankcase Gasket
114650 01412 £26.98
320 056 (Non-Gen) £4.50

26106 080352 £2.34

320 171 (Non-Gen) £5.90

114650 01250 £5.75
105025 01220 £6.63
114650 01260 £8.43

23876 010000 £4.31
114270 01600 £2.59
114250 35150 £9.58

Plain Bearing
114650 02100 £11.50
320 327 (Non-Gen) £8.40

Head Gasket
114970 01340 £8.72
320 100 (Non-Gen) £3.00

O-Ring
114650 01380 £4.58
320 191 (Non-Gen) £1.00

26106 100122 £3.11

Ball Bearing
114650 02150 £97.00
320 346 (Non-Gen) £33.00

26366 060002 £2.34
114250 01830 £5.12
114250 01841 £2.83
26366 060002 £2.34
24162 152112 £29.77

Pump Shim
114250 01800 (Set of 3) £7.15
320 332 (Non-Gen) £1.11

26106 080122 £1.89
114299 02030 £1.76
26226 060182 £2.34
26226 060222 £3.11

Oil Seal
24423 355008 £9.30
320 208 (Non-Gen) £7.60

Dipstick
114699 01760 £3.86
320 048 (Non-Gen) £1.00

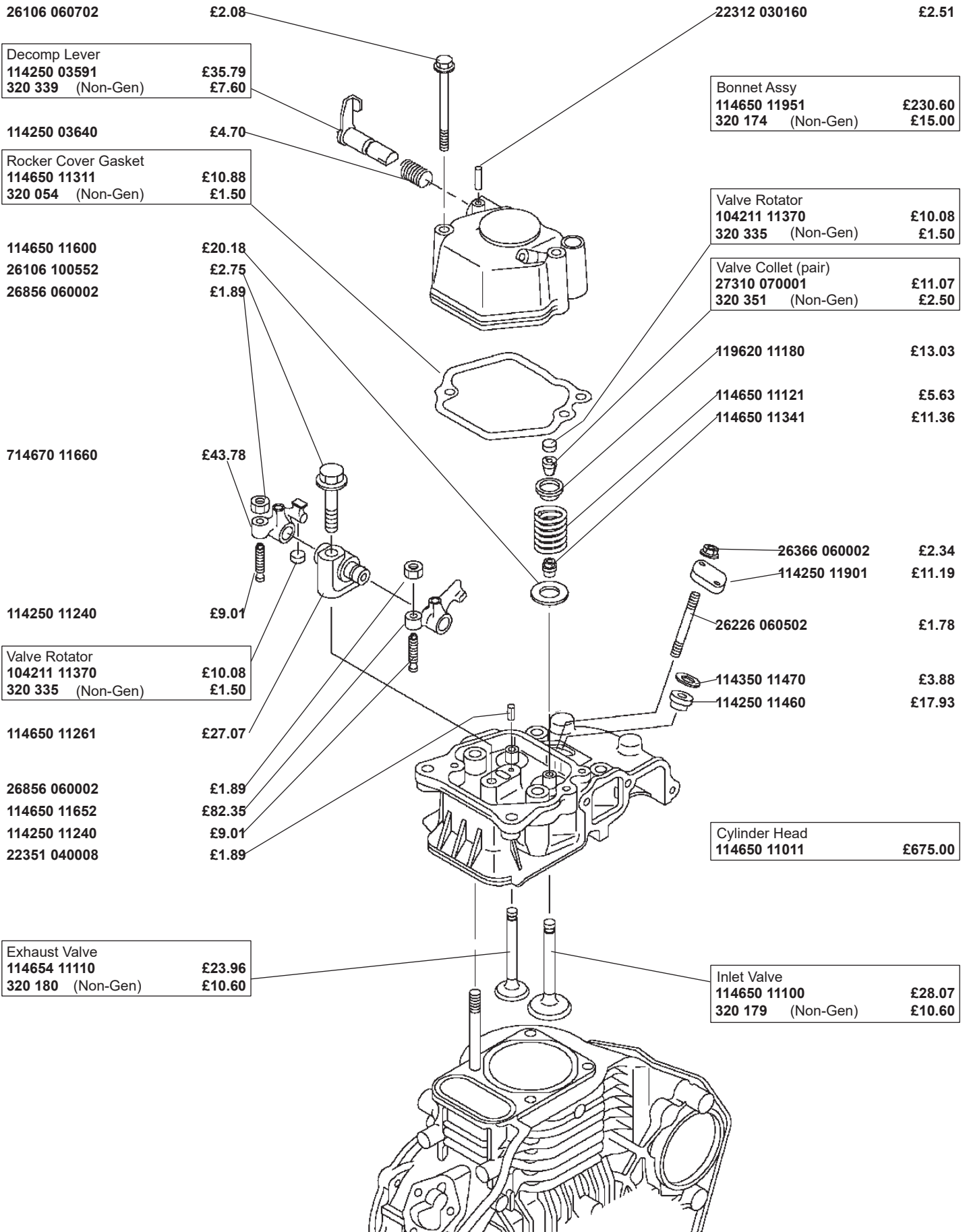
Cylinder Block
714970 01562 POA

Crankcase Cover (AE-D)
114660 01471 POA

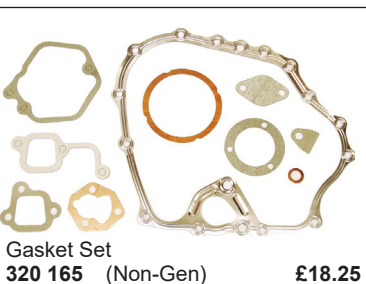
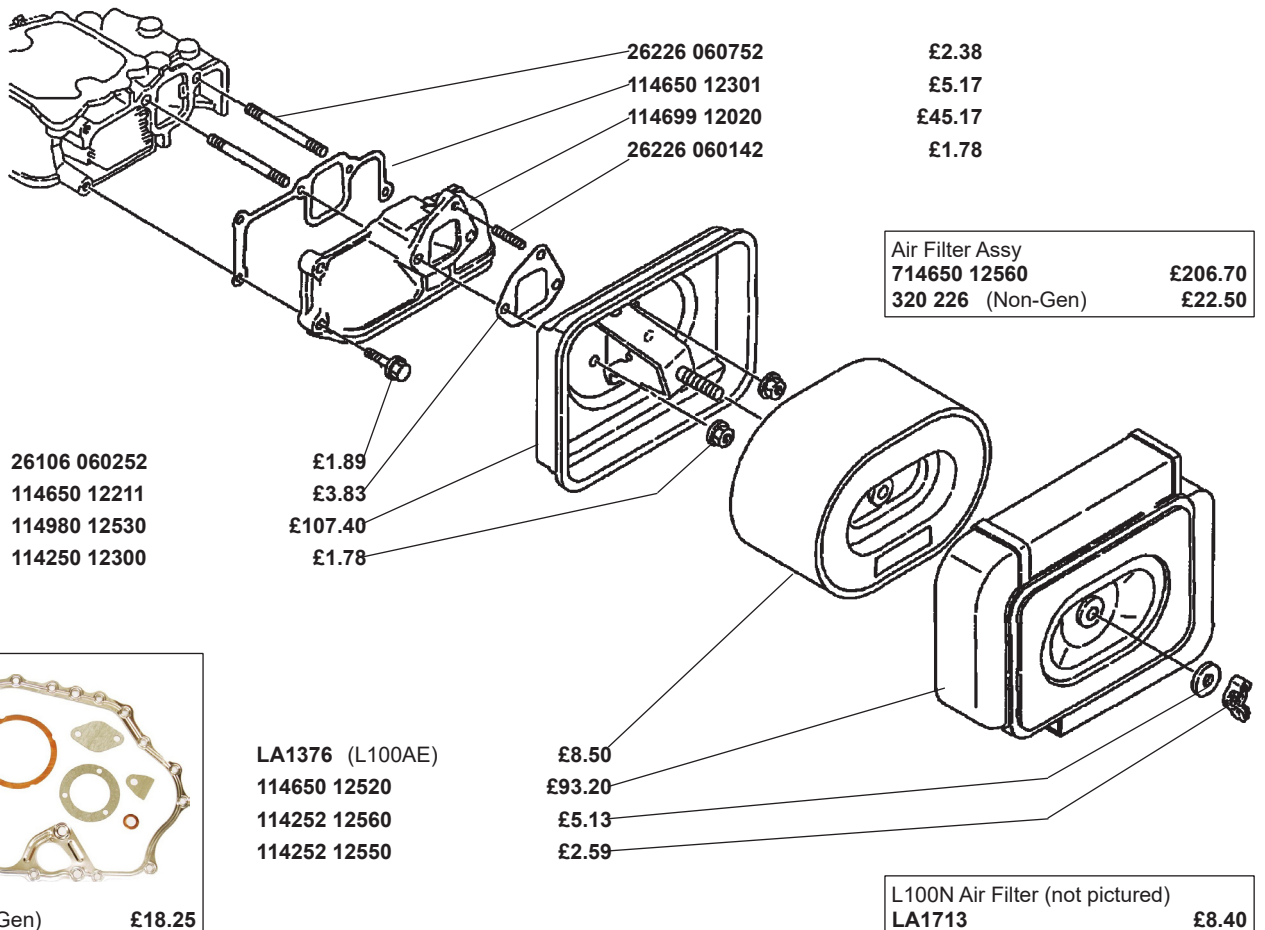
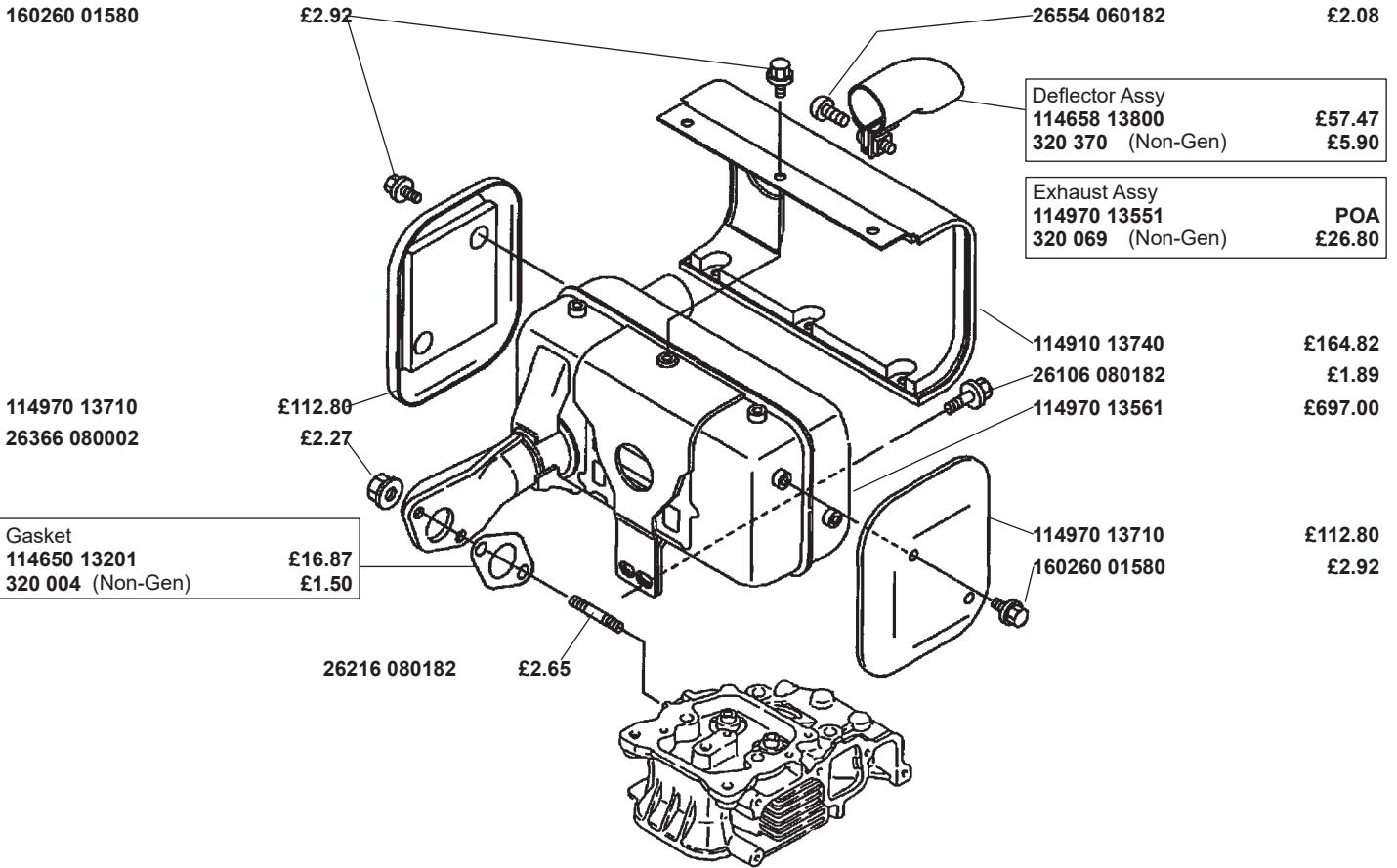
22190 160002 £4.62
105425 01690 £6.63

Drain Plug & Washer
320 347 (Non-Gen) £1.11

Yanmar L100AE - Cylinder Head



Yanmar L100AE - Air Cleaner & Exhaust



Yanmar L100AE - Piston, Crankshaft & Camshaft

24101 062030 £13.44

Balancer
714970 28511

24101 063030

£194.30

£13.39

Ring Set
714970 22500 £61.44
320 120 (Non-Gen) £13.90

Piston & Rings
714980 22721 £217.70
320 194 (Non-Gen) £38.67

Gudgeon Pin
114699 22300 £20.05
320 197 (Non-Gen) £3.60

129792 22400 £2.51

Con Rod Assys
714650 23700 (inc shells) £232.80
320 203 (Non-Gen) £30.00

Big End Shells (Pair)
714650 23600 (Genuine) £20.12
(Only fits genuine con rod)
320 206 (Non-Gen) £13.00
(Only fits non genuine con rod)

160842 21250 £8.21

160842 21260 £4.91

105300 23200 £9.80

160842 21150 £6.63

22512 050140 £2.92

114650 14402 £26.20

114650 14200 £30.45

114699 21420 POA

114699 21550 £6.49

114699 21220 £19.23

Ring Gear
114662 21601 £223.70
320 368 (Non-Gen) £19.20

114699 21590 £507.00

Camshaft
714699 14580

POA

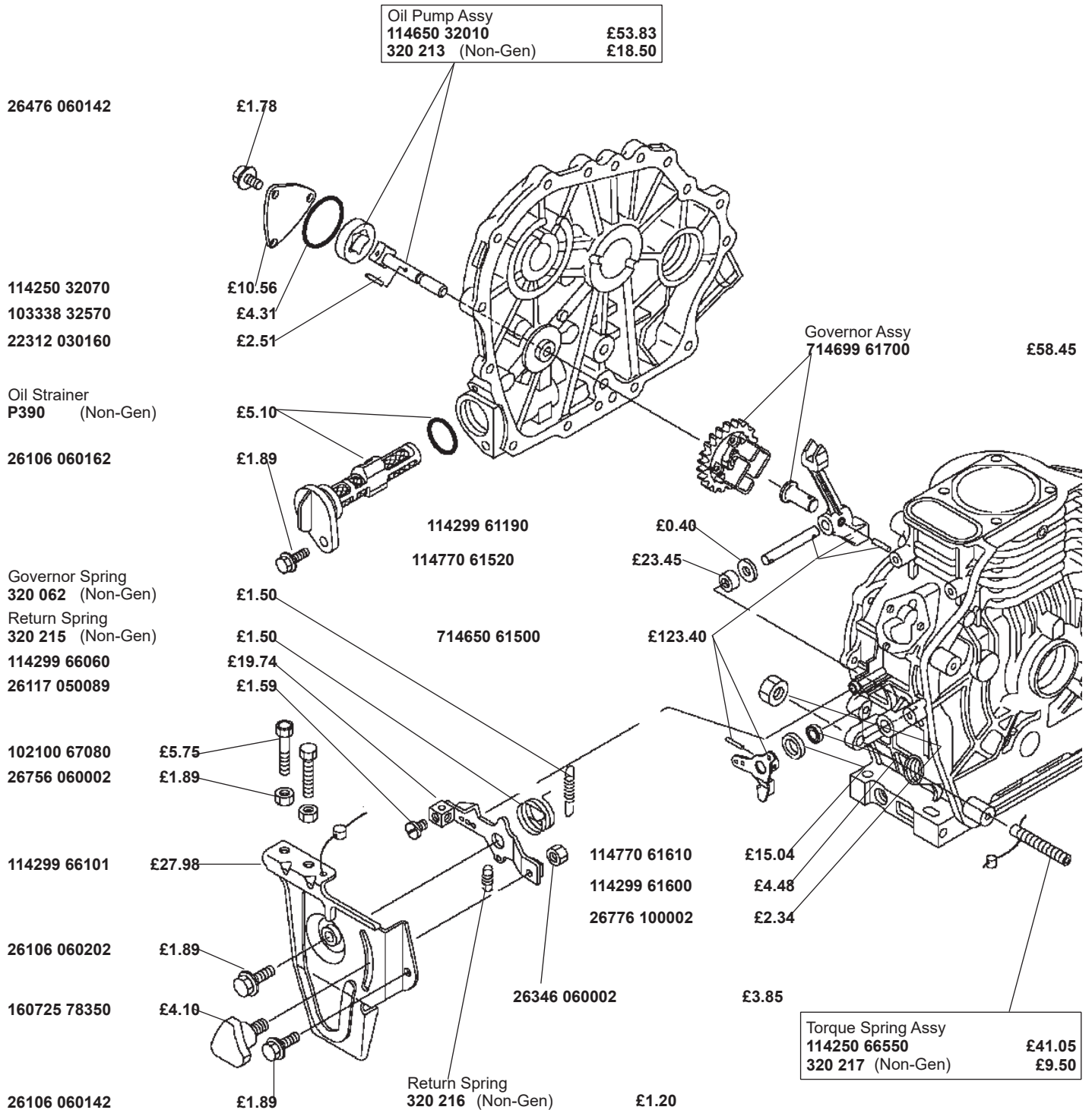
114771 14260 £30.45

119mm

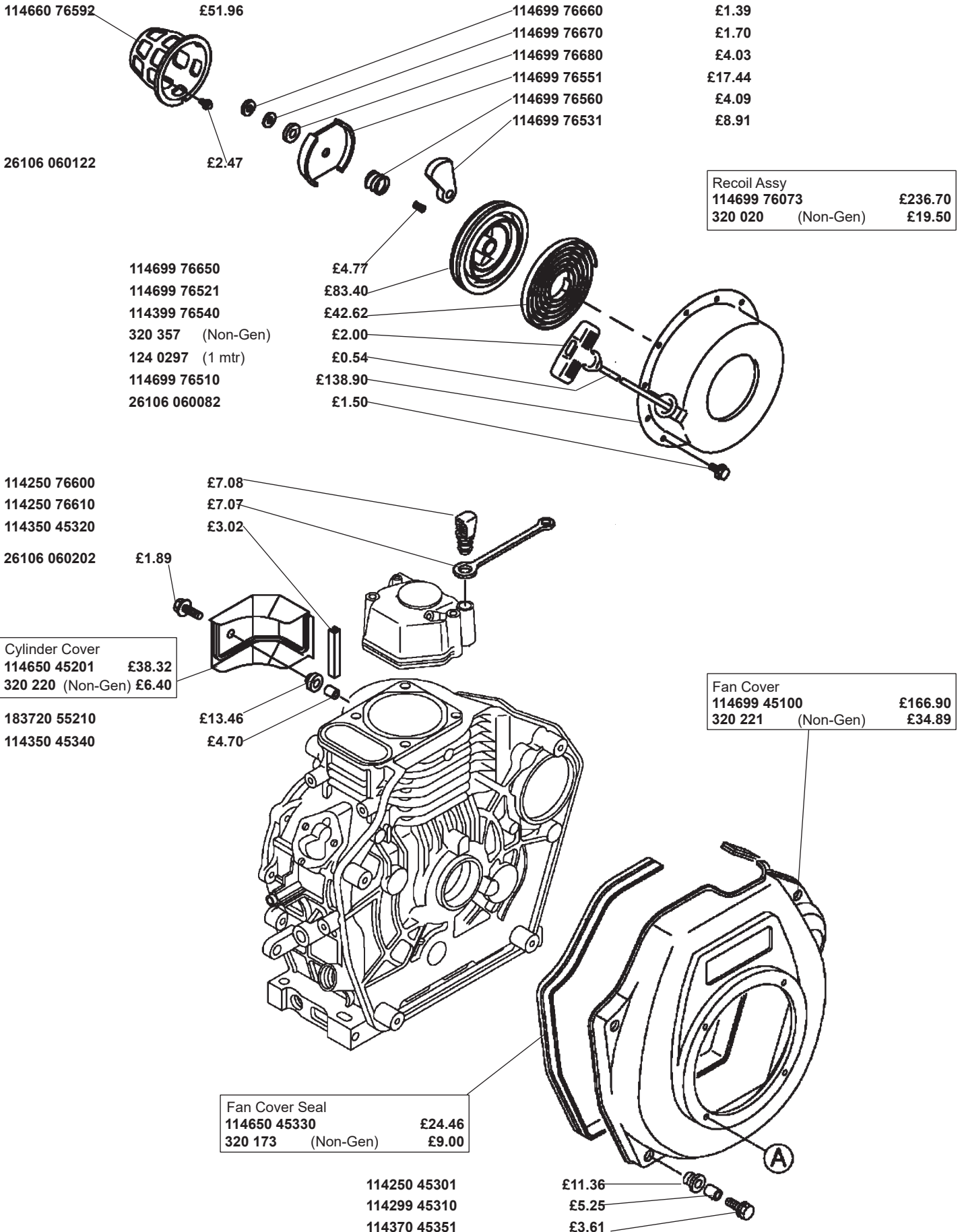
142mm

Non-Genuine Crankshafts
1" Straight
320 211 £99.60
Tapered (Short)
320 225 £99.60
Tapered (Long)
320 353 £99.60

Yanmar L100AE - Oil Pump, Governor & Throttle Control

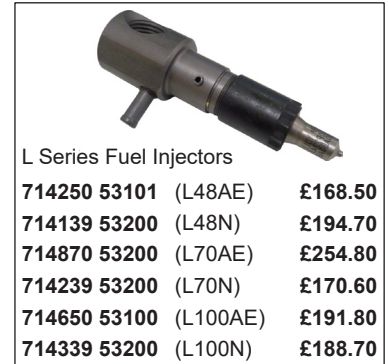
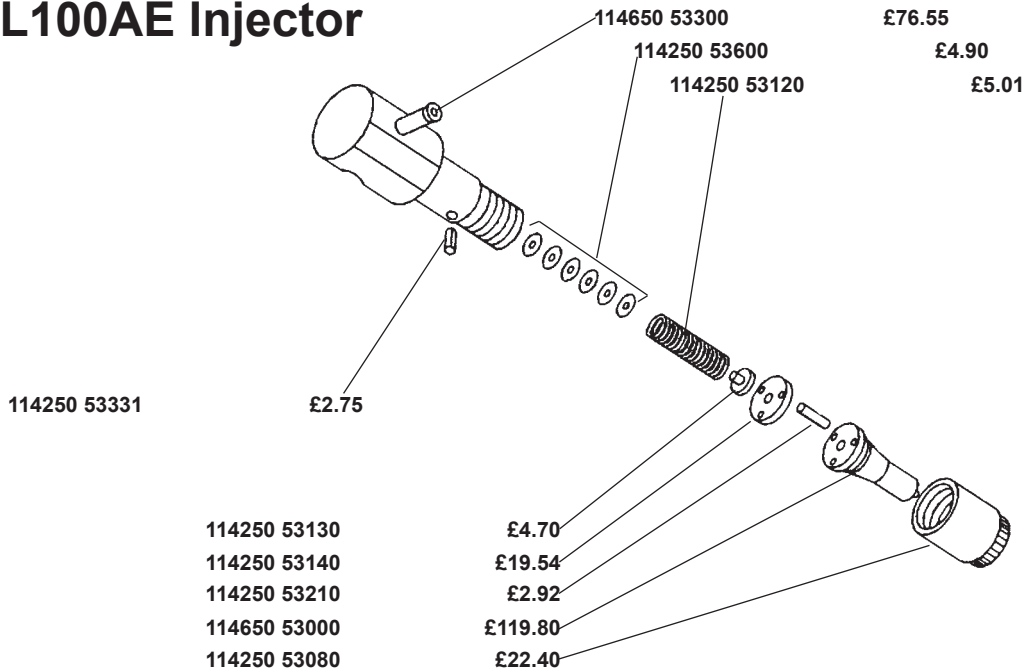


Yanmar L100AE - Fan Cover & Recoil Starter



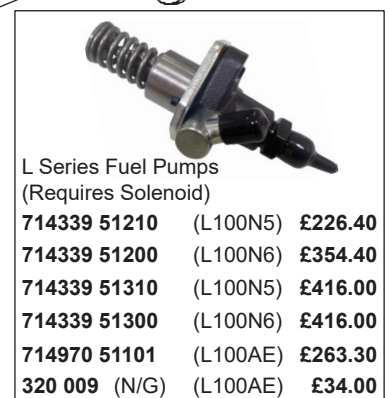
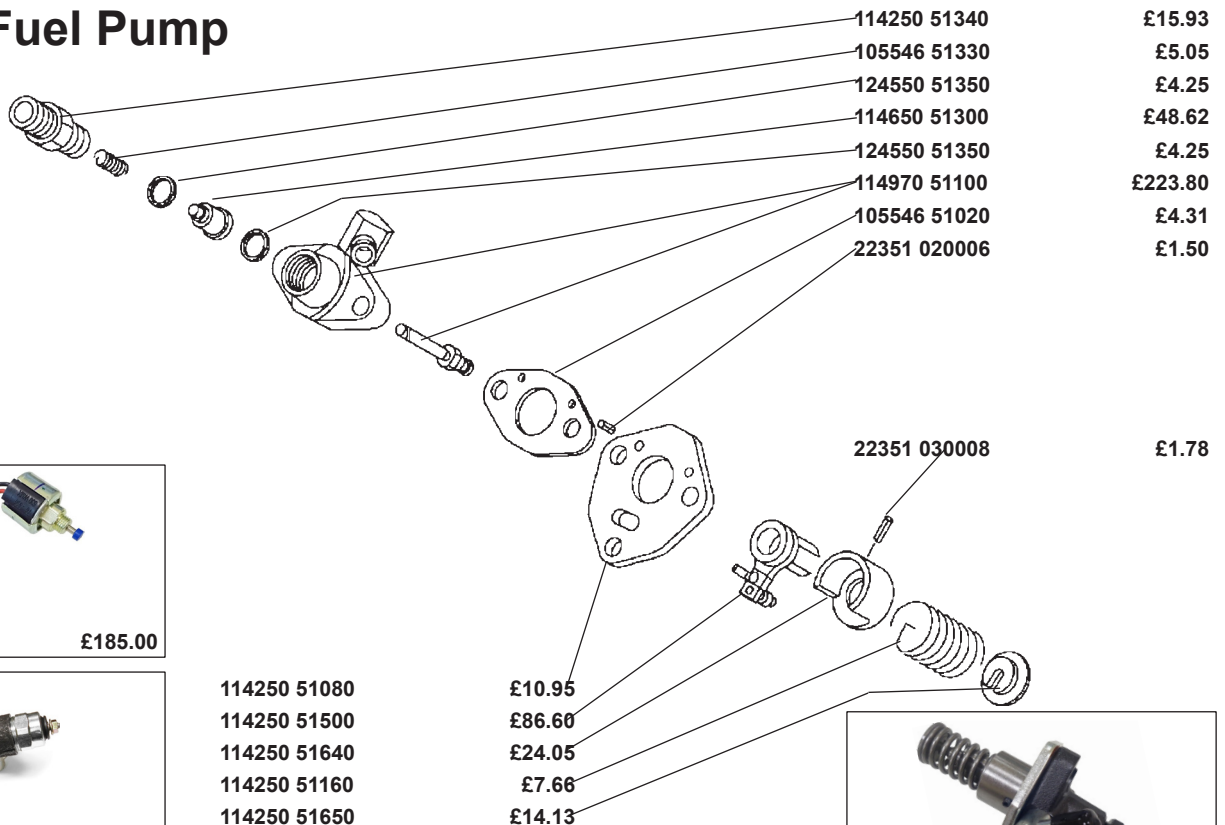
Yanmar L100AE - Injector & Fuel Pump

L100AE Injector



L100AE Injector (Not for L100N)	
320 014 (Non-Gen)	£28.00
L100N Injector (Not for L100AE)	
080 339 (Non-Gen)	£69.00

L100AE Fuel Pump



Yanmar L100AE - Fuel System

Tank Bracket (Non-Gen)
320 101 £12.00

Tank Cap
114288 55041 £37.73
320 045 (Non-Gen) £3.90

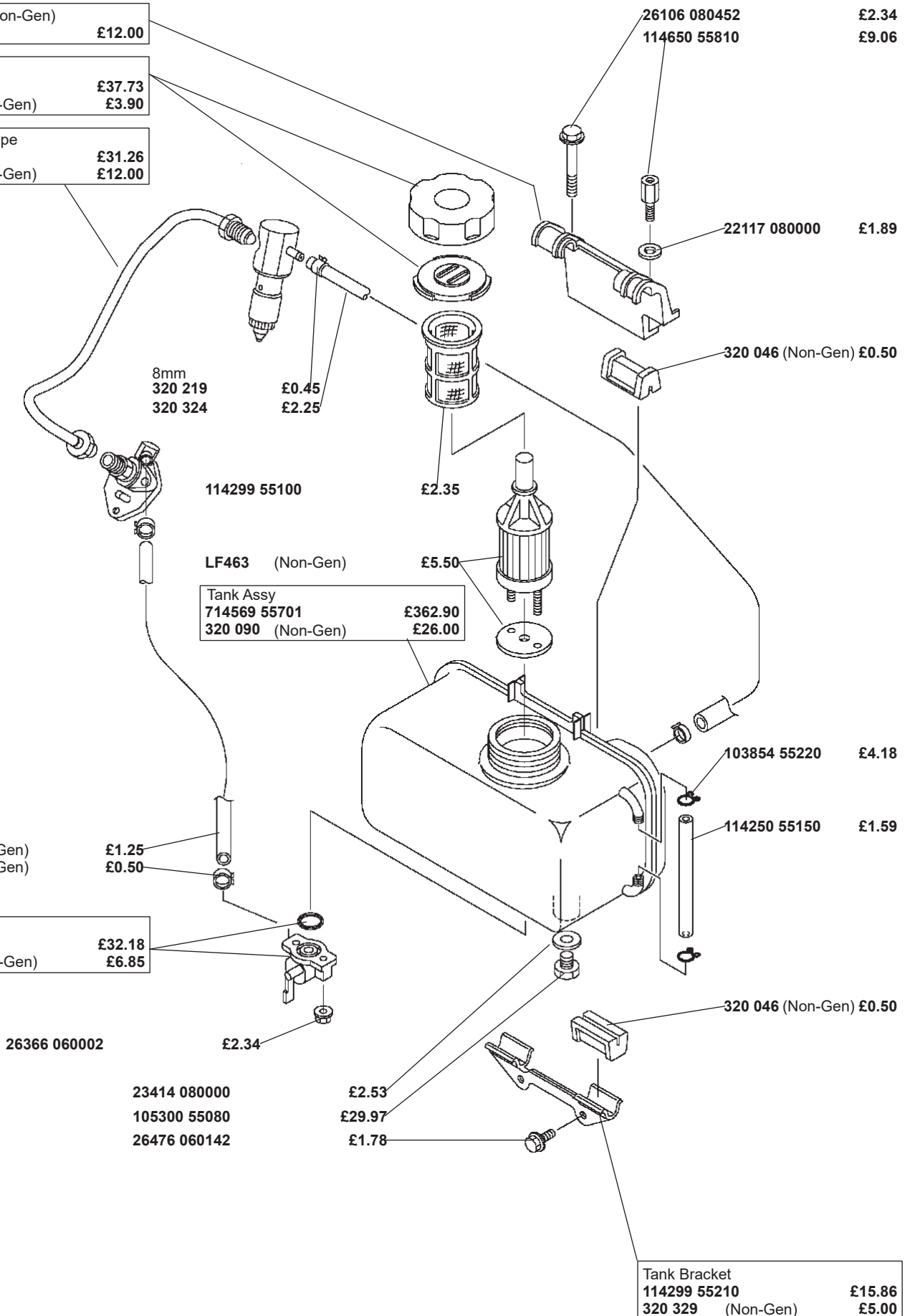
Fuel Injection Pipe
114650 59801 £31.26
320 110 (Non-Gen) £12.00

12mm
320 223 (Non-Gen) £1.25
320 218 (Non-Gen) £0.50

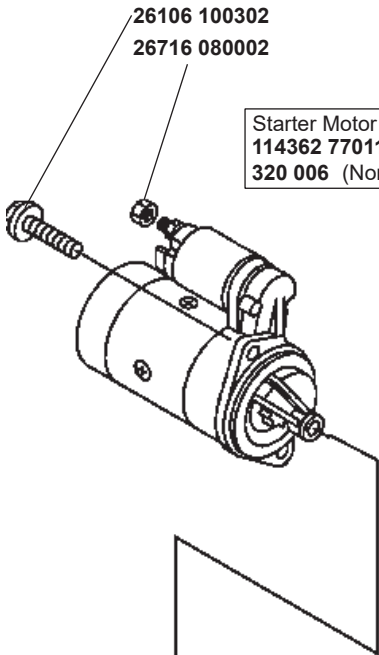
Fuel Tap
114250 55301 £32.18
320 091 (Non-Gen) £6.85

Tank Assy
714569 55701 £362.90
320 090 (Non-Gen) £26.00

Tank Bracket
114299 55210 £15.86
320 329 (Non-Gen) £5.00



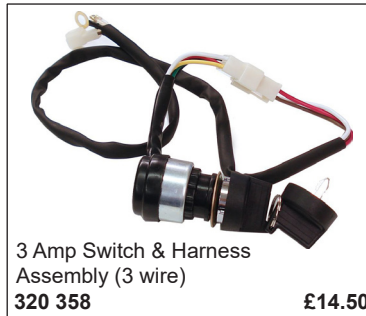
Yanmar L100AE - Starter Motor



26106 100302
26716 080002

£2.99
£2.34

Starter Motor	
114362 77011	£290.00
320 006 (Non-Gen)	£55.00



3 Amp Switch & Harness
Assembly (3 wire)
320 358

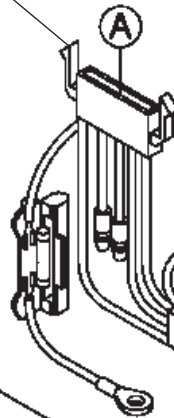
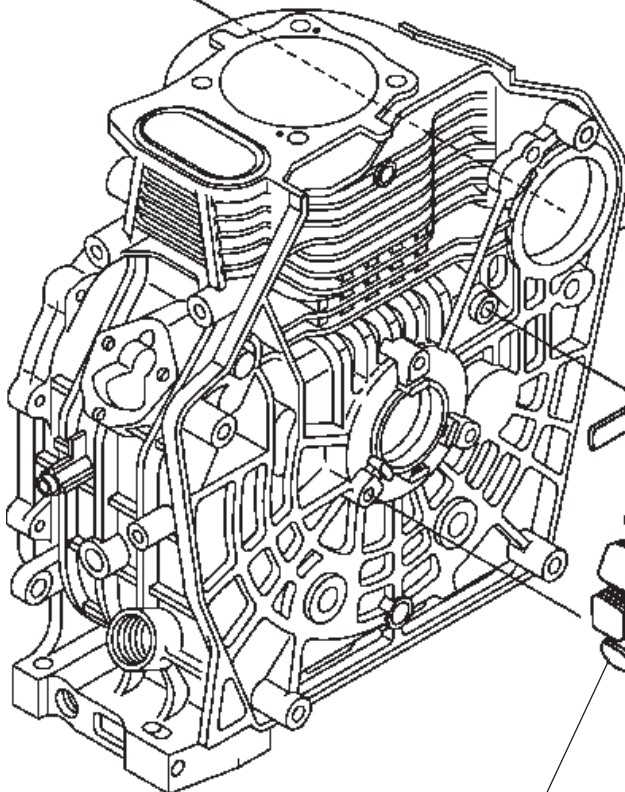
£14.50

Regulator (15 Amp)	
114340 77710	£172.00
(3 Amp)	
320 075 (Non-Gen)	£30.00

To switch to the 3 amp regulator, please replace the switch & harness assy and the dynamo for the 3 amp version. Please consider if the 3 amp version is powerful enough for the machine.

15 Amp Harness (5 wire)
114351 77540

£27.23

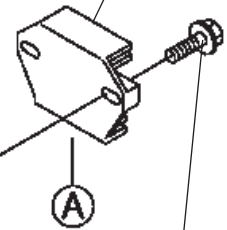


26023 040102

£1.59

26106 060122

£2.47



26106 060202

£1.89

114385 77400

£30.02

160260 78700

£5.75

26106 060122

£2.47

26577 060152

£1.89

114399 78740

£152.60

114399 78730 (15 Amp) £222.90
26106 060202 £1.89

Dynamo Assy	
320 330 (Non-Gen, 3 Amp)	£37.00

Hatz 1B20 / 1B30 / 1B40 / 1B50 Spares

				
Genuine Air Filter 1B20 1B30	Genuine Air Filter 1B40 1B50	Genuine Fuel Filter 1B20, 1B30, 1B40	Genuine Oil Suction Filter	Genuine Fuel Filter
50426000 £12.25	50484102 £14.52	01919702 £17.98	01542703 £25.69	01635210 £7.43
				
Genuine External Fuel Filter	Genuine Fuel Filter	Recoil Assy	Rewind Spring	Switch Assembly
50539200 £44.24	50478800 £7.25	02319100 £120.00	05045202 £31.38	200 156 £33.00
				
Starter Motor 1B20 1B30	Starter Motor 1B40 1B50	Piston Ring Set 1B20 (after 2000)	Crankcase Seal Set 1B20	Cylinder Head Gasket Set 1B20
01723400 £265.20	01662800 £356.50	01348000 £56.09	01554204 £142.30	01554101 £98.00
				
Big End Shells 1B20	Fuel Injection Pump	Fuel Injector Assy	12V Regulator 5-Wire	12V Regulator 6-Wire
01575700 £45.25	01322211 £268.00	01649811 £319.00	01983600 £268.70	01983800 £129.00
				
Stop Button 1B Range	Air Filter Cover 1B20	12v Charging Coil Assy Fits 1B Series	Switch Unit Fits 1B Series	1000 Hour Service Kit Fits 1B20
01786401 £47.69	01699102 £98.90	01925900 £252.80	01545300 £166.20	01554311 £81.80

Engines

HONDA
ENGINEERS



YANMAR



Kubota

LONCIN



HONDA GX ENGINES



Genuine Honda GX Engines

- Overhead Valve Engines
- Cast Iron Cylinder
- Oil Alert System (where specified)
- Recoil Start

LONCIN ENGINES



Equivalent in size & power output to Honda's GX range of engines

- Overhead Valve Engines
- Cast Iron Cylinder
- Oil Alert System
- Recoil Start

Part No.	Output	Shaft Type	Oil Alert	Price
GXR120 QXB4	3.1HP	5/8"	Yes	£379.00
GXR120 SE3	3.6HP	15mm	Yes	£433.00
GX120 QX	4HP	3/4"	Yes	£312.00
GX120 SX4	4HP	18mm	Yes	£338.60
GX160 QX3	5.5HP	3/4"	Yes	£291.00
GX160 SX	5.5HP	20mm	Yes	£289.00
GX160 QHQ4	5.5HP	3/4"	No	£330.30
GX200 QX4 ENGINE	6.5HP	3/4"	Yes	£325.00
GX200 SX3	6.5HP	20mm	Yes	£324.00
GX270 QX4	9HP	1"	Yes	£580.50
GX390 QX	13HP	1"	Yes	£629.00

Other shaft sizes available - please contact us for details

Part No.	Replaces	Output	Shaft Type	Price
700 710	GX120QX	4.0HP	3/4"	POA
700 714	GX120SX	4.0HP	18mm	POA
101 710	GX160QX, GX200QX	6.5HP	3/4"	POA
101 705	GX160SX, GX200SX	6.5HP	20mm	POA
101 713	GX240QX	8.0HP	1"	NLA
101 712	GX270QX	9.0HP	1"	POA
101 711	GX390QX	13.0HP	1"	POA

Other shaft sizes available - please contact us for details

DIESEL ENGINES



Equivalent in size & power output to Yanmar's L series single cylinder diesel engines

Part No.	Replaces	Output	Shaft Type	Price
101 800	L48AE-S	4.7HP	Camshaft Driven 20mm	£595.00
101 805	L48AE	4.7HP	3/4"	£526.50
101 815	L70AE	6.7HP	1"	£593.00
101 820	L100AE	9.5HP	1"	£664.50

CENTRIFUGAL CLUTCHES



Heavy Duty Centrifugal Clutch
100mm Drum Diameter
Suitable for A-section V Belts

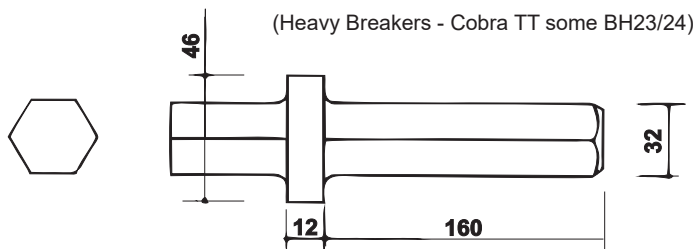
Fits a wide range of small plant

(subject to availability)

Part No.	Shaft Ø	Outside Diam.	Price
969 277	5/8"	150mm	£81.80
969 278	15mm	112mm	£93.00
969 279	18mm	150mm	£129.50
969 280	3/4"	150mm	£79.00
969 282	20mm	150mm	£111.70

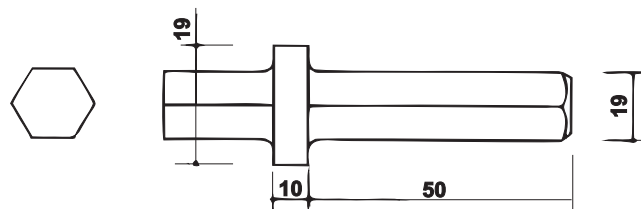
Breaker Steels

1.1/4" HEX SHANK



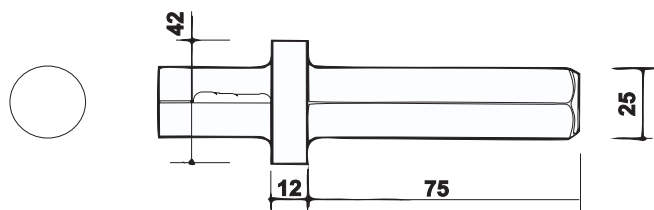
Part No.	Description	Price
912084	Moil Point - 450mm (18") Under Collar	£19.80
912294	Narrow Chisel	£21.75
912555	Tarmac Cutter	£39.00
912668	Clayspade	£55.74
912903	1.1/4" Rammer Stem	£59.58
912906	180mm Rammer Pad (Round)	£154.20
912907	150mm Rammer Pad (Square)	£156.70

GAV 5 STEELS



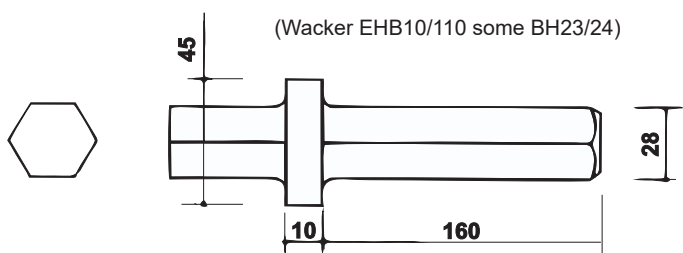
Part No.	Description	Price
912011	10" Moil Point	£11.59
912211	10" Narrow Chisel	£12.90
912151	Bolster Chisel	£22.95

SK12/FL22 ROUND SHANK



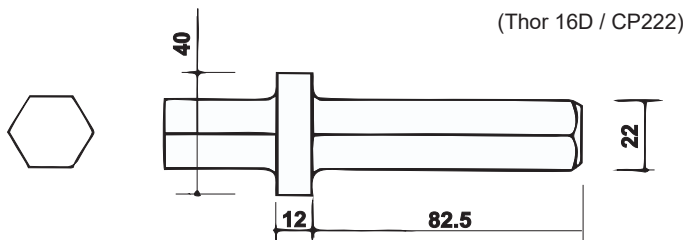
Part No.	Description	Price
914025	Point - 320mm Under Collar	£18.78
914225	Chisel - 320mm Under Collar	£14.94

1.1/8" HEX SHANK



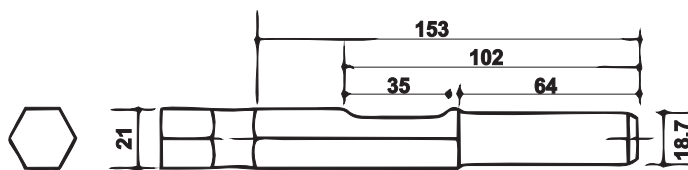
Part No.	Description	Price
912064	Moil Point - 450mm (18") Under Collar	£24.97
912274	Narrow Chisel	£26.47
912545	Tarmac Cutter	£45.77
912666	Clayspade	£83.90

7/8" HEX STEELS



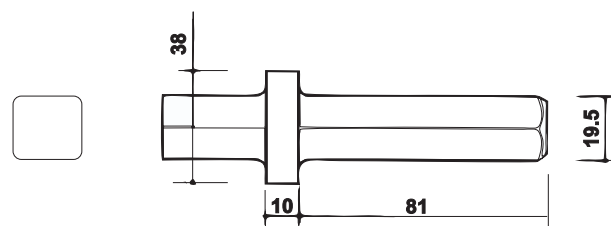
Part No.	Description	Price
910023	Moil Point 380mm (15") Under Collar	£13.05
910233	Narrow Chisel	£12.46
910913	Clay Spade 100mm (4")	£53.28

KANGO 900 / 950 TYPE SHANK



Part No.	Description	Price
914475	50mm (2") Wide Chisel	£9.95
914476	75mm (3") Wide Chisel	£14.00
914481	Clayspade	£48.11

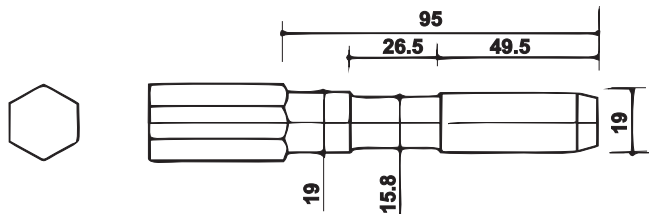
CP FL22 STEELS



Part No.	Description	Price
914009	Point 330mm (13") Under Collar	£15.87
914029	Narrow Chisel	£16.82
914609	Clay Spade 100mm (4")	£53.80

Breaker Steels

CP9 STEELS



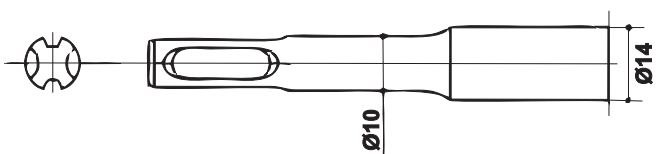
Part No.	Description	Price
914049	Point 250mm (10") Overall Length	£9.63
914249	Narrow Chisel 250mm (10") Length	£9.08
914449	75mm Wide Scaling Chisel	£41.04

SDS MAX TYPE SHANK



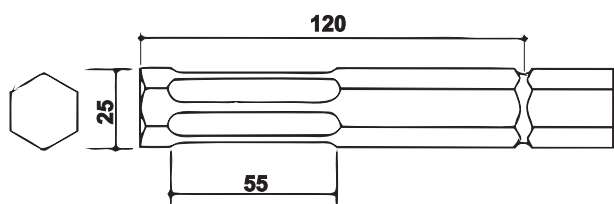
Part No.	Description	Price
914903	Point 400mm (16") Overall Length	£6.90
914913	Narrow Chisel 400mm (16") Overall	£6.90
914925	50mm (2") Wide Chisel	£13.90
914935	75mm (3") Wide Chisel	£16.00
914985	110mm Wide Clayspade	£61.83

SDS PLUS TYPE SHANK



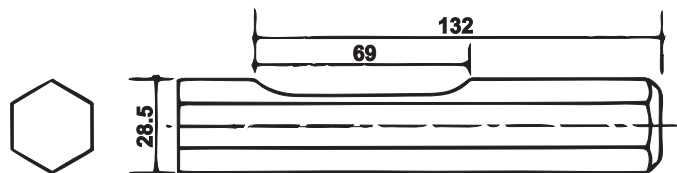
Part No.	Description	Price
914814	Point	£4.95
914824	Narrow Chisel 20mm	£4.95
914844	Wide Chisel 40mm	£6.13
914875	Wide Chisel 75mm	£13.85
914880	Tile Lifting Tool 75mm	£14.90

HILTI TE905/TE1000 STEELS



Part No.	Type	Length	Price
916091	Pointed Chisel	500mm	£18.75
916093	32mm Narrow-Flat Chisel	500mm	£18.75
905 156	50mm Wide-Flat Chisel	500mm	NLA
916097	75mm Bolster Chisel	380mm	£30.03

BOSCH 11304/USH27/GSH27



Part No.	Description	Price
914610	Point 380mm (15") Overall Length	£12.75
914620	Narrow Chisel 380mm (15") Long	£12.67
914650	Tarmac Cutter	£53.00

FLOOR SCRAPER STEMS



Fits Floor Scraper Tool

Part No.	Type	Price
914 520	Kango K950 - 275mm	£17.50
914 530	SDS Max - 300mm	£24.63

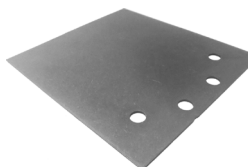
FLOOR SCRAPER TOOL



Removes tough tile adhesives

Part No.	Price
914 510	£67.86

FLOOR SCRAPER BLADE ONLY



Spare blade for floor scraper tool

2mm x 150mm

Part No.	Price
914 540	£12.50

FLOOR SCRAPER BOLT KIT

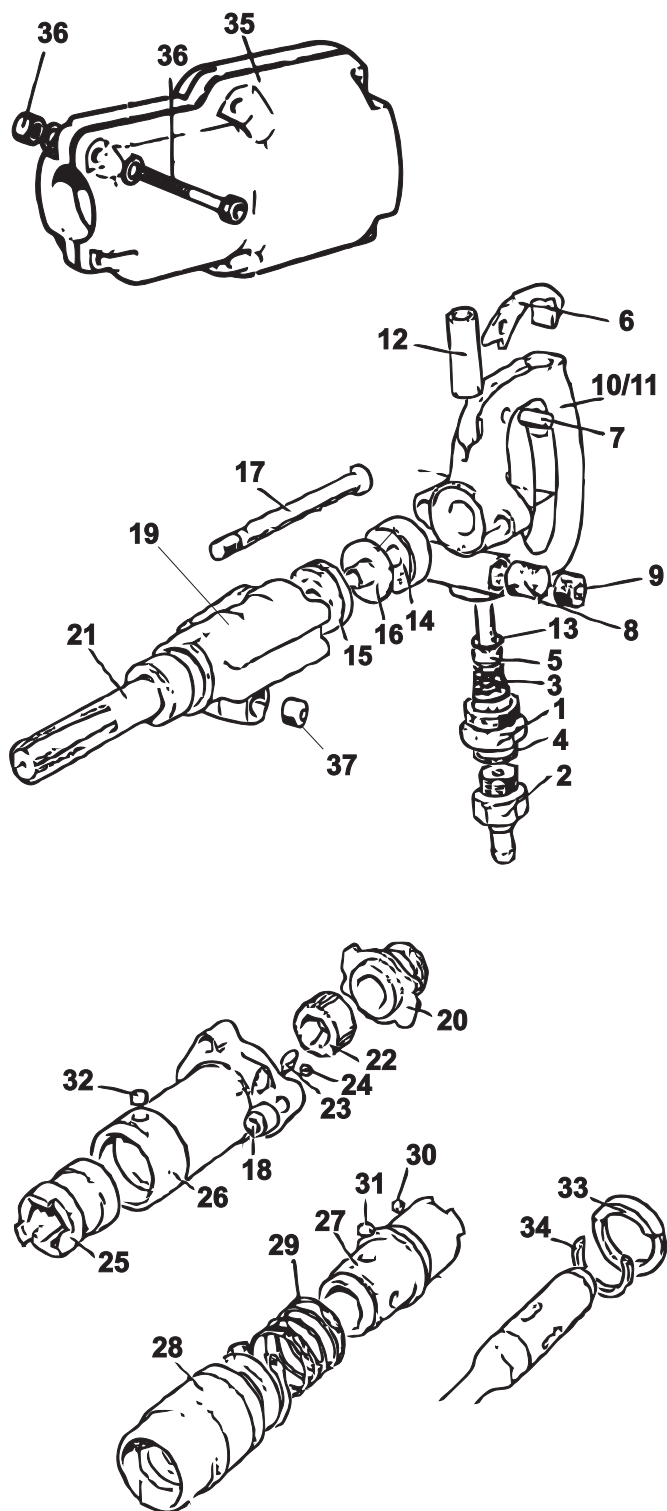


Bolt kit for floor scraper tool

Part No.	Price
914 550	£18.30

Breaker Spares

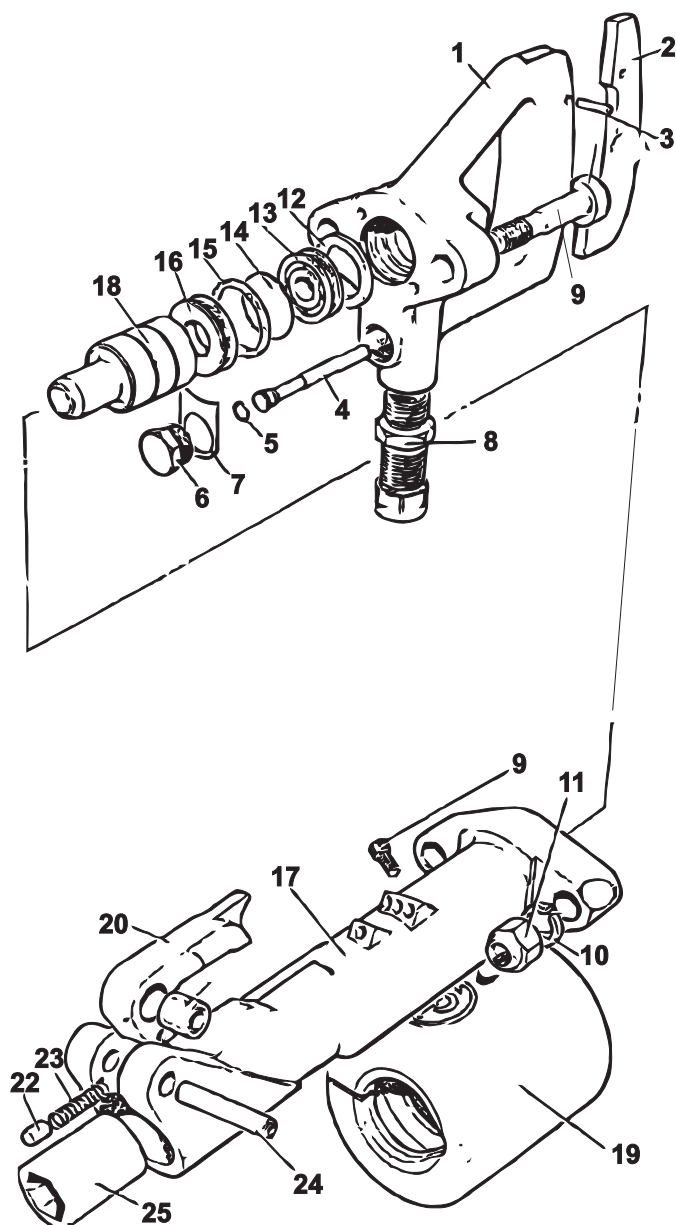
CP9 HAND DRILL SPARES



Part No.	Ref	Description	OEM No.	Price
CP9/1032	1	Air Inlet Bush	F64697	£9.54
CP9/1033	2	Hose Tail	F64695	£6.95
CP9/1034	3	Throttle Spring	85596	£2.51
CP9/1035	4	Gasket (Inlet)	F64696	£0.80
CP9/1036	5	Throttle Valve	R086329	£9.54
CP9/1037	6	Throttle Lever	F27853	£48.77
CP9/1038	7	Throttle Lever Pin	A43627	£1.55
CP9/1039	8	Oil Felt	85895	£2.12
CP9/1040	9	Oil Plug	C77941	£2.75
CP9/1041	10	Bare Handle	F34495	POA
CP9/1042	11	Handle Complete	R278018	£186.10
CP9/1043	12	Throttle Bush	85599	£8.70
CP9/1044	13	Throttle O-Ring	86098	£1.27
CP9/1045	14	Rear Valve Seat	85896	£33.57
CP9/1046	15	Front Valve Seat	85898	£20.95
CP9/1047	16	Main Valve	85897	£17.31
CP9/1048	17	Through Bolt	F34249	£16.31
CP9/1049	18	Through Bolt Nut	S13073	£0.58
CP9/1050	19	Cylinder	85886	£350.00
CP9/1051	20	Cylinder Bush	85887	£56.65
CP9/1052	21	Piston	F816122	£55.15
CP9/1053	22	Ratchet	F816123	£26.45
CP9/1054	23	Pawl	F34066	£12.54
CP9/1055	24	Pawl Spring	85890	£0.60
CP9/1056	25	Chuck Driver Sleeve	85900	£32.40
CP9/1057	26	Front Head	R136592	£140.00
CP9/1058	27	Chuck	F826892	£61.75
CP9/1059	28	Retainer Sleeve	F827148	£38.45
CP9/1060	29	Spring	86605	£5.70
CP9/1061	30	Ball	S13112	£0.21
CP9/1062	31	Retainer Ball	F35621	£0.27
CP9/1063	32	Retainer Ball Plug	F61888	£1.45
CP9/1064	33	Retainer Plate	F826683	£7.60
CP9/1065	34	Retainer Ring	F826893	£6.36
CP9/1066	-	Dust Excluder	F815343	£8.33
CP9/1067	35	Muffler c/w Bolts	F826972	£133.40
CP9/1068	36	Bolt & Nut Kit	F826973	£8.93
CP9/1069	37	Exhaust Plug	72422	£1.35

Breaker Spares

CP222 DIGGER SPARES

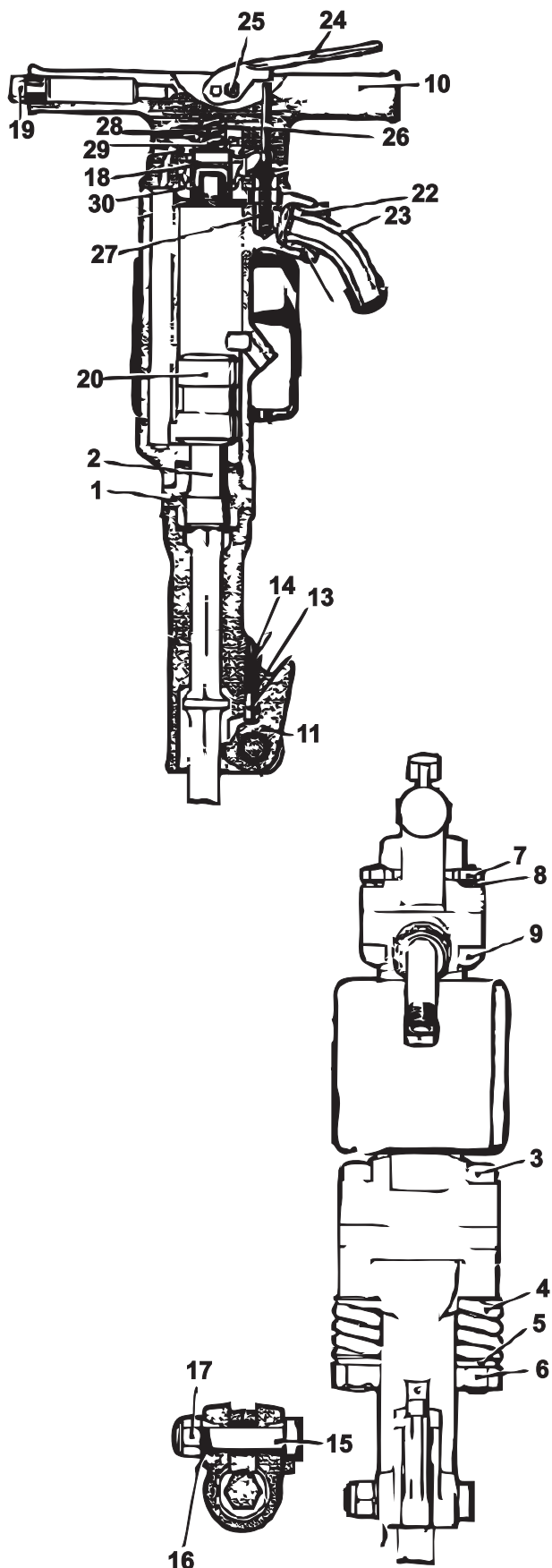


Part No.	Ref	Description	OEM No.	Price
222/1076	1*	Handle	F815160	POA
222/1078	2	Throttle Lever	F815161	£29.70
222/1079	3	Throttle Lever Pin	R133757	£1.64
222/1080	4	Throttle Valve	F814812	£11.48
222/1081	5	O-Ring	11FPS2760	£0.65
222/1082	6	Throttle Plug	F814440	£5.45
222/1083	7	Tab Washer	F814582	£2.10
222/1084	8	Inlet Nipple	F35769	£9.72
222/1085	9	Handle Bolt	F813911	£8.93
222/1086	10	Handle Washer	R000550	£0.50
222/1087	11	Handle Nut	P081091	£1.45
222/1088	12	Preload Pad	F813908	£4.40
222/1089	13	Upper Case Lid	F814774	£30.81
222/1090	14	Main Valve	F12659	£10.64
222/1091	15	Valve Case	F814776	£18.71
222/1092	16	Lower Case Lid	F814775	£26.78
222/1093	17	Cylinder	F815268	POA
222/1094	18	Piston	F815015	£61.25
222/1095	19	Muffer	F814195	£122.50
222/1096	20	Latch c/w Bush	F815269	£51.84
222/1097	21	Rubber Latch Bush	F815174	£8.93
222/1098	22	Latch Plunger	F813308	£2.80
222/1099	23	Plunger Spring	R086982	£2.92
222/1100	24	Latch Pin	R133758	£3.61
222/1101	25	Tool Sleeve 7/8 Hex	F813919	£34.15
222/1102	-	Throttle Valve Bush	F813910	£14.00

* Subject to availability

Breaker Spares

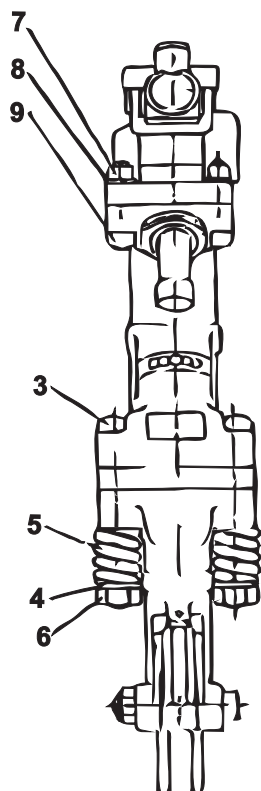
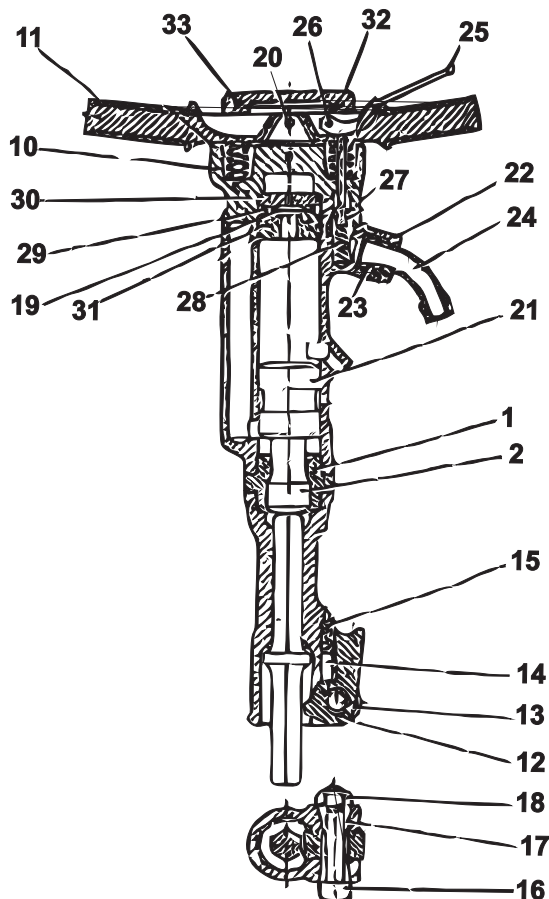
CP1230 MEDIUM BREAKER



Part No.	Ref	Description	OEM No.	Price
CP1230/01	1	Anvil Bush	R047966	£131.25
CP1230/02	2	Anvil Block	R085260	£50.75
CP1230/03	3	Front Bolt	R047970	£23.85
CP1230/04	4	Front Spring	R047971	£28.90
CP1230/05	5	Front Lock Washer	R090584	£10.45
CP1230/06	6	Front Nut	R005721	£9.01
CP1230/07	7	Handle Nut	P006131	£1.44
CP1230/08	8	Handle Washer	P006239	£0.60
CP1230/09	9	Handle Bolt	R047962	£12.88
CP1230/10	10	Handle Rubber	R005716	£8.66
CP1230/11	11	Latch c/w Bush	F815389	£52.50
CP1230/12	12	Latch Bush	R055818	£5.32
CP1230/13	13	Latch Plunger	R092497	£4.30
CP1230/14	14	Plunger Spring	R086928	£2.70
CP1230/15	15	Latch Bolt	R076853	£15.02
CP1230/16	16	Latch Cone (Steel)	R076562	£7.90
CP1230/17	17	Latch Nut	P008999	£1.05
CP1230/18	18	Main Valve	R047959	£33.20
CP1230/19	19	Oil Plug	R075031	£10.95
CP1230/20	20	Piston	R047967	£87.50
CP1230/21	21	Swivel Nut	R000530	£22.32
CP1230/22	22	Swivel O-Ring	R010317	£1.44
CP1230/23	23	Swivel	R085269	£22.32
CP1230/24	24	Trigger	F814725	£35.00
CP1230/98	25	Trigger Pin	R133433	£1.35
CP1230/27	26	Valve c/w O-Ring	R092894	£21.00
CP1230/28	27	Throttle Spring	R005717	£9.20
CP1230/29	28	Valve Case Spring	R047961	£9.20
CP1230/30	29	Valve Case Plug 1/8	C35390	£1.50
CP1230/31	30	Valve Case O-Ring	R049854	£1.70
CP1230/32	-	Muffler	R145237	£395.00

Breaker Spares

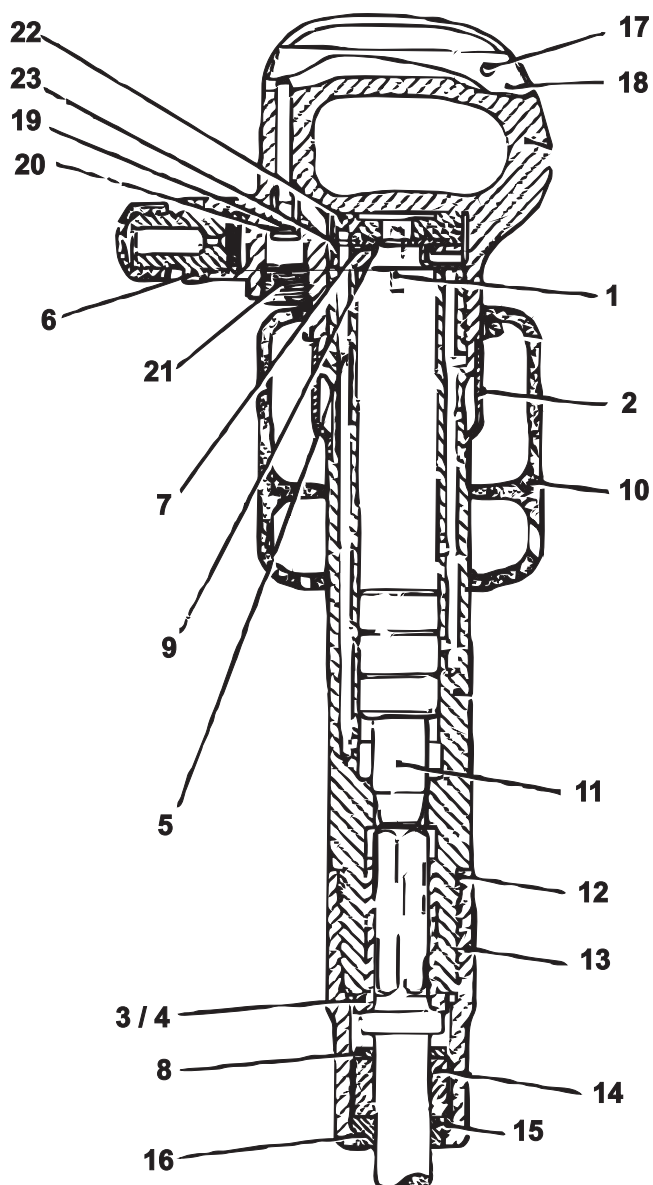
CP1230 SVR BREAKER



Part No.	Ref	Description	OEM No.	Price
CP1230/01	1	Anvil Bush	R047966	£131.25
CP1230/02	2	Anvil Block	R085260	£50.75
CP1230/03	3	Front Bolt	R047970	£23.85
CP1230/04	4	Front Spring	R047971	£28.90
CP1230/05	5	Front Lock Washer	R090584	£10.45
CP1230/06	6	Front Nut	R005721	£9.01
CP1230/07	7	Handle Nut	P006131	£1.44
CP1230/08	8	Handle Washer	P006239	£0.60
CP1230/09	9	Handle Bolt	R047962	£12.88
CP1230/35	10	Handle Spring	R145863	£10.35
CP1230/11	11	Handle Grip	R005716	£8.66
CP1230/10	11	Handle Grip-Flange Type	R145788	£13.15
CP1230/12	12	Latch c/w Bush	F815389	£52.50
CP1230/13	13	Latch Bush	R055818	£5.32
CP1230/14	14	Latch Plunger	R092497	£4.30
CP1230/15	15	Latch Plunger Spring	R086928	£2.70
CP1230/16	16	Latch Bolt	R076853	£15.02
CP1230/17	17	Latch Cone (Steel)	R076562	£7.90
CP1230/18	18	Latch Nut	P008999	£1.05
CP1230/36	19	Main Valve	R137338	£10.95
CP1230/37	20	Oil Plug	C036910	£3.15
CP1230/21	21	Piston	R047967	£87.50
CP1230/22	22	Swivel Nut	R000530	£22.32
CP1230/23	23	Swivel O-Ring	R010317	£1.44
CP1230/24	24	Swivel	R085269	£22.32
CP1230/38	25	Trigger	R145781	£31.76
CP1230/98	26	Trigger Pin	R145866	£1.35
CP1230/97	27	Valve c/w O-Ring	R145782	£21.00
CP1230/28	28	Throttle Spring	R005717	£9.20
CP1230/43	29	Valve Case	R137337	£38.50
CP1230/39	30	Lid - Upper	R137339	£47.25
CP1230/40	31	Lid - Lower	R145785	£26.20
CP1230/41	32	Cover	R145860	£39.40
CP1230/42	33	Cover Pin	R157670	£8.35

Breaker Spares

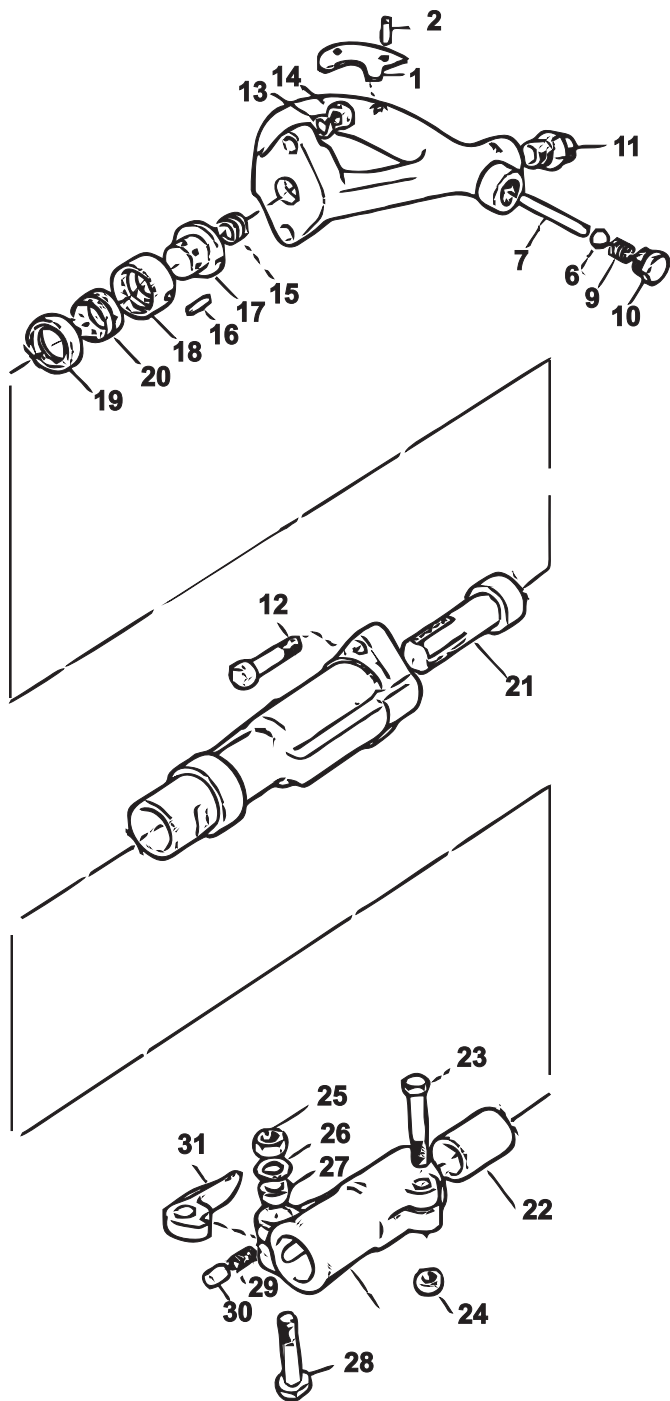
FL 22 CLAYDIGGER SPARES



Part No.	Ref	Description	OEM No.	Price
FL22/02	1	Dowel Pin	F012670	£1.70
FL22/03	2	Exhaust Deflector	F012747	£45.50
FL22/04	3	Flange Sleeve	F026354	£42.90
NLA	4	Flange Sleeve Fitted		-
FL22/07	5	Handle Pin Lock	F001919	£1.27
FL22/08	6	Inlet Nipple	F035769	£8.83
FL22/09	7	Lower Valve Case	F012656	£33.25
P006346	8*	Leather Washer	P006346	£4.36
FL22/11	9	Main Valve	F012659	£9.20
FL22/12	10	Muffler	F814201	POA
FL22/13	11	Piston	F026357	£66.09
FL22/14	12	Retainer Lock Ring	F035269	£6.01
FL22/15	13	Retainer Sleeve	F035274	£49.17
FL22/16	14*	Rubber Buffer	F814522	£4.64
FL22/17	15*	Split Washer	P007331	£8.41
FL22/18	16*	Retainer Ring	P002008	£0.80
FL22/20	17	Throttle Lever Pin	F011472	£2.65
FL22/21	18	Throttle Lever	F011471	£27.15
FL22/22	19	Throttle Valve	F011476	£11.93
FL22/23	20	Valve O-Ring	110FPS2706	£0.75
FL22/24	21	Throttle Plug	C059643	£6.80
FL22/25	22	Lid - Upper	F12657	£31.45
FL22/26	23	Valve Case	F012658	£20.15
FL22/19	*	Split Washer Kit (Items /8,14,15,16)	F816993	£16.31

Breaker Spares

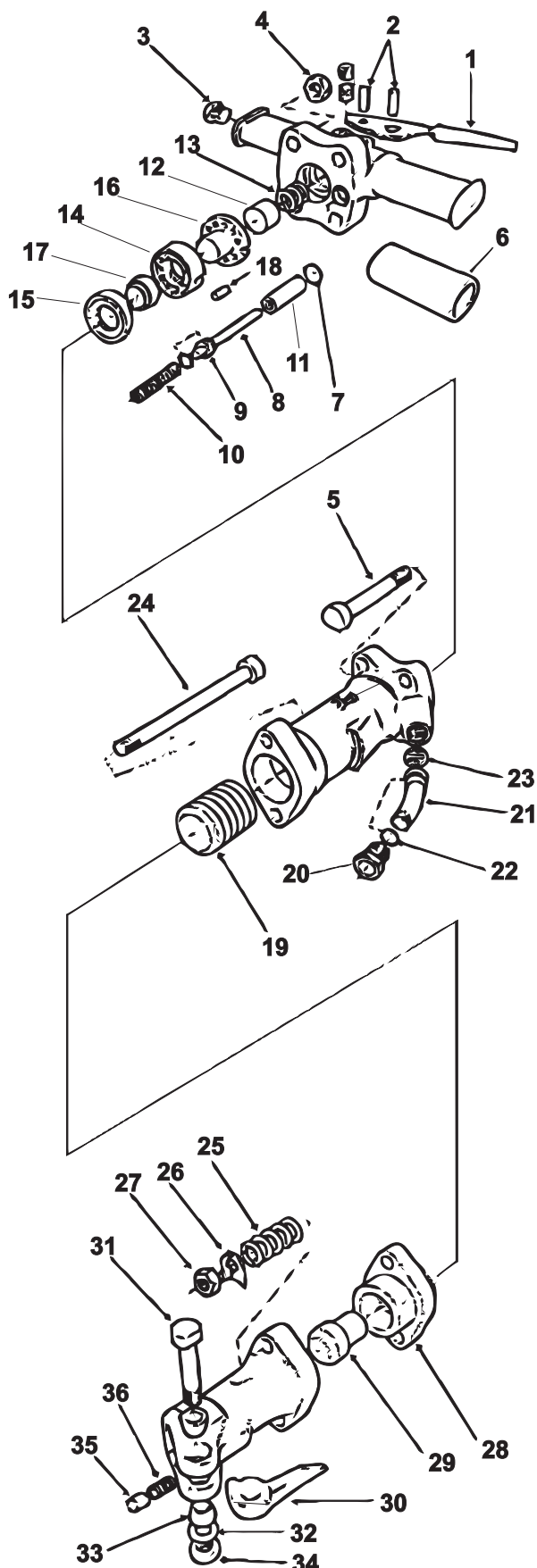
THOR 16D DIGGER SPARES



Part No.	Ref	Description	OEM No.	Price
16D/2001	1	Trigger	61963	£29.75
16D/2002	2	Trigger Pin	71840	£0.75
16D/2004	3	Oil Plug	48402	£3.35
16D/2005	4	Oil Felt	43473	£1.40
16D/2006	5	Oil Felt Plug 1/8	888018	£3.35
16D/2007	6	Throttle Body	806297	£3.45
16D/2008	7	Throttle Stem	806427	£3.95
16D/2009	8	Throttle Valve Bush	86852	£7.45
16D/2010	9	Thr Valve Spring	43760	£1.35
16D/2011	10	Throttle Valve Plug	48402	£3.35
16D/2012	11	Inlet Adapter	51386	£9.00
16D/2013	12	Handle Bolt	436377	£7.20
16D/2014	13	Handle Bolt Washer	43758	£0.25
16D/2015	14	Handle Bolt Nut	43756	£1.00
16D/2016	15	Main Valve Spring	43042	£4.20
16D/2017	16	Dowel Pin	43043	£0.75
16D/2018	17	Valve Guide	43767	£33.25
16D/2019	18	Valve Chest (Rear)	43766	£33.25
16D/2020	19	Valve Chest (Front)	43765	£24.95
16D/2021	20	Main Valve	43764	£28.00
16D/2022	21	Piston	43762	£73.50
16D/2024	22	Cylinder Bush	43746	£48.15
16D/2025	23	Front Head Bolt	47947	£5.70
16D/2026	24	Front Head Bolt Nut	91126	£0.75
16D/2027	25	Retainer Bolt Nut	43500	£1.00
16D/2028	26	Retainer Bolt Washer	43143	£0.25
16D/2029	27	Retainer Bushing	805980	£2.80
16D/2030	28	Retainer Bolt	805675	£5.83
16D/2031	29	Retainer Plug Spring	43785	£2.51
16D/2032	30	Retainer Plunger	43788	£4.20
16D/2033	31	Retainer	43784	£48.58
16D/2036	-	Muffler	806436	£61.25

Breaker Spares

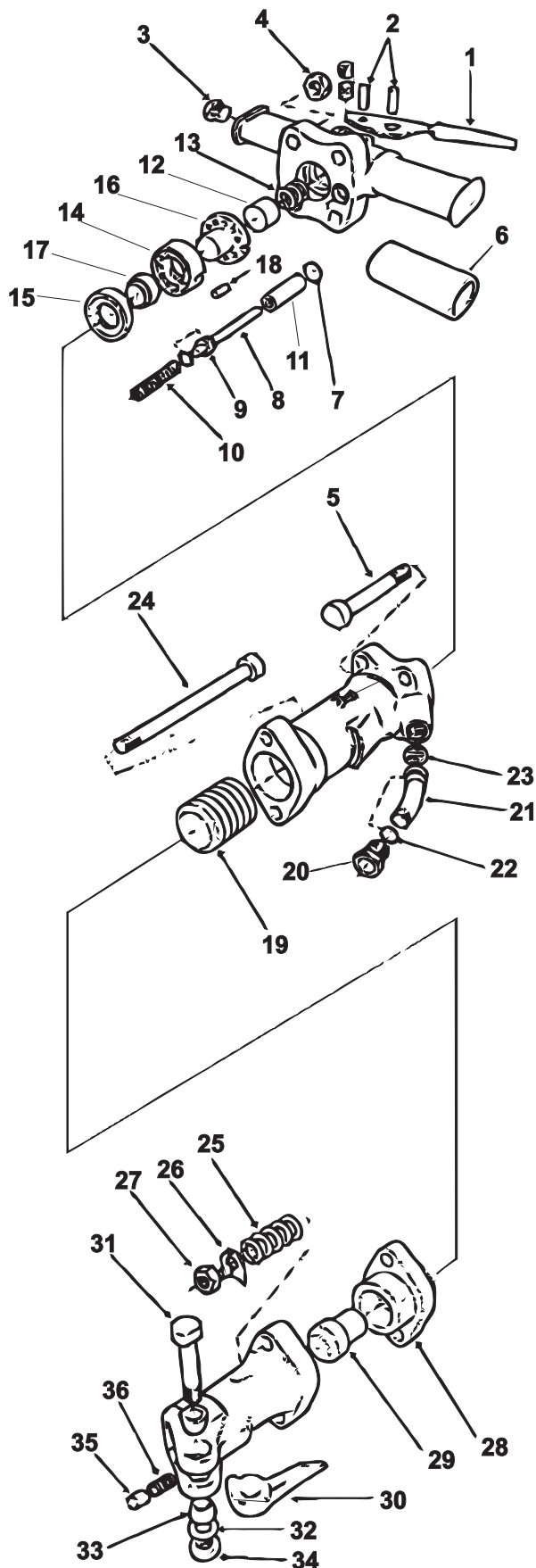
THOR 24 BREAKER SPARES



Part No.	Ref	Description	OEM No.	Price
PB24/01	1	Tappet Seat	43463	£131.25
PB24/02	2	Tappet	43408	£50.75
PB24/03	3	Dowel Pin	43477	£1.00
PB24/04	4	Front Bolt	43415	£16.65
PB24/05	5	Front Spring	43412	£24.50
PB24/06	6	Front Flat Washer	805621	£1.00
234/2127	7	Front Nyloc Nut	805620	£1.05
PB24/08	8	Handle Nut	43418	£1.05
PB24/09	9	Handle Washer	43007	£0.55
PB24/10	10	Handle Bolt	43464	£8.35
234/2105	11	Handle Grip	43476	£8.66
PB24/12	12	Handle O-Ring	82907	£1.35
PB24/13	13	Plunger Spring	43475	£7.00
PB24/14	14	Oil Plug	89386	£3.45
PB24/15	15	Piston	43462	£87.50
PB24/16	16	Retainer	43527	£46.40
PB24/17	17	Retainer Bolt	43524	£12.70
PB24/18	18	Retainer Washer	43007	£0.50
PB24/19	19	Retainer Bush	43523	£5.25
PB24/20	20	Retainer Nut	43525	£1.05
PB24/21	21	Retainer Plunger	43522	£4.85
PB24/22	22	Plunger Spring	43521	£3.98
PB24/23	23	Swivel Nut	43169	£21.00
PB24/24	24	Swivel	43512	£21.00
PB24/25	25	Swivel O-Ring	45259	£1.05
PB24/26	26	Screen	43510	£2.65
PB24/27	27	Trigger	43428	£31.50
PB24/28	28	Trigger Pin	43393	£1.05
PB24/29	29	Throttle Stem	805478	£5.20
PB24/30	30	Throttle Body	805464	£3.45
PB24/31	31	Throttle Spring	43397	£3.95
PB24/32	32	Muffler c/w Clips	83574	£603.21

Breaker Spares

THOR 234 BREAKER SPARES

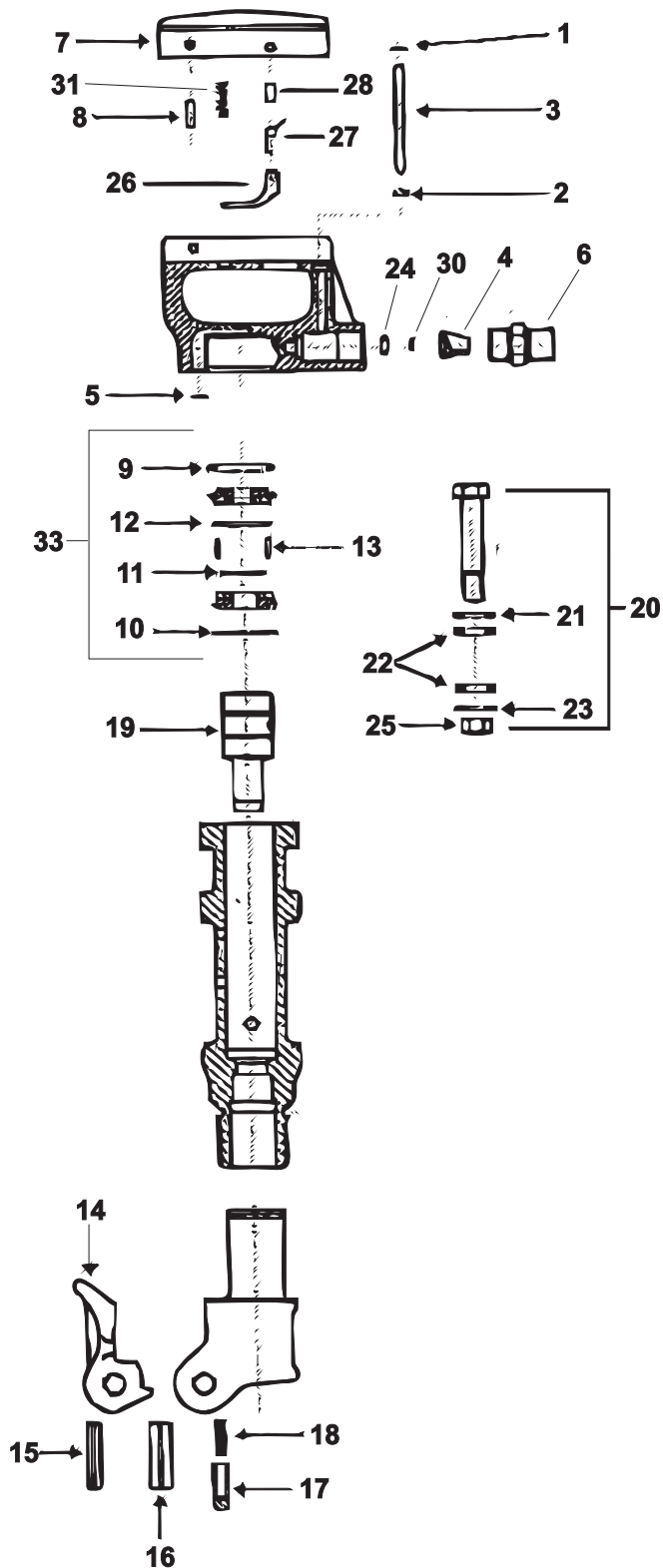


Part No.	Ref	Description	OEM No.	Price
234/2100	1	Trigger	43428	£31.50
234/2101	2	Trigger Pin	43393	£1.05
234/2102	3	Oil Plug	89386	£3.45
234/2103	4	Handle Nut	47758	£1.24
234/2104	5	Handle Bolt	52049	£8.63
234/2105	6	Handle Grip	43476	£8.66
234/2106	7	Handle O-Ring	82907	£1.05
234/2107	8	Throttle Stem	805478	£5.65
234/2108	9	Throttle Body	805464	£3.71
234/2109	10	Throttle Spring	43397	£4.24
234/2110	11	Throttle Guide	43395	£7.45
234/2111	12	Plunger	43474	£10.10
234/2137	13	Plunger Spring	43475	£3.45
234/2113	14	Valve Chest Rear	43432	£58.72
234/2114	15	Valve Chest Front	43431	£47.35
234/2115	16	Valve Guide	43430	£56.00
234/2116	17	Main Valve	43186	£38.95
234/2117	18	Dowel Pin	43477	£1.00
234/2119	19	Piston	43436	£87.50
234/2120	20	Swivel Nut	43169	£21.00
234/2121	21	Swivel	43512	£21.00
234/2122	22	Swivel O-Ring	45259	£1.05
234/2123	23	Screen	43510	£2.65
234/2124	24	Front Bolt	43415	£16.65
234/2125	25	Front Spring	43412	£24.50
234/2126	26	Front Flat Washer	805621	£1.00
234/2127	27	Front Nyloc Nut	805620	£1.05
234/2128	28	Tappet Seat	43437	£131.25
234/2129	29	Tappet	43408	£54.08
234/2131	30	Retainer	43527	£46.40
234/2132	31	Retainer Bolt	43524	£12.70
234/2133	32	Retainer Washer	43007	£0.55
234/2134	33	Retainer Bush	43523	£5.25
234/2135	34	Retainer Nut	43525	£1.05
234/2136	35	Retainer Plunger	43522	£4.85
234/2137	36	Plunger Spring	43521	£3.45
NLA	-	Muffler c/w Clips	806443	-

Breaker Spares

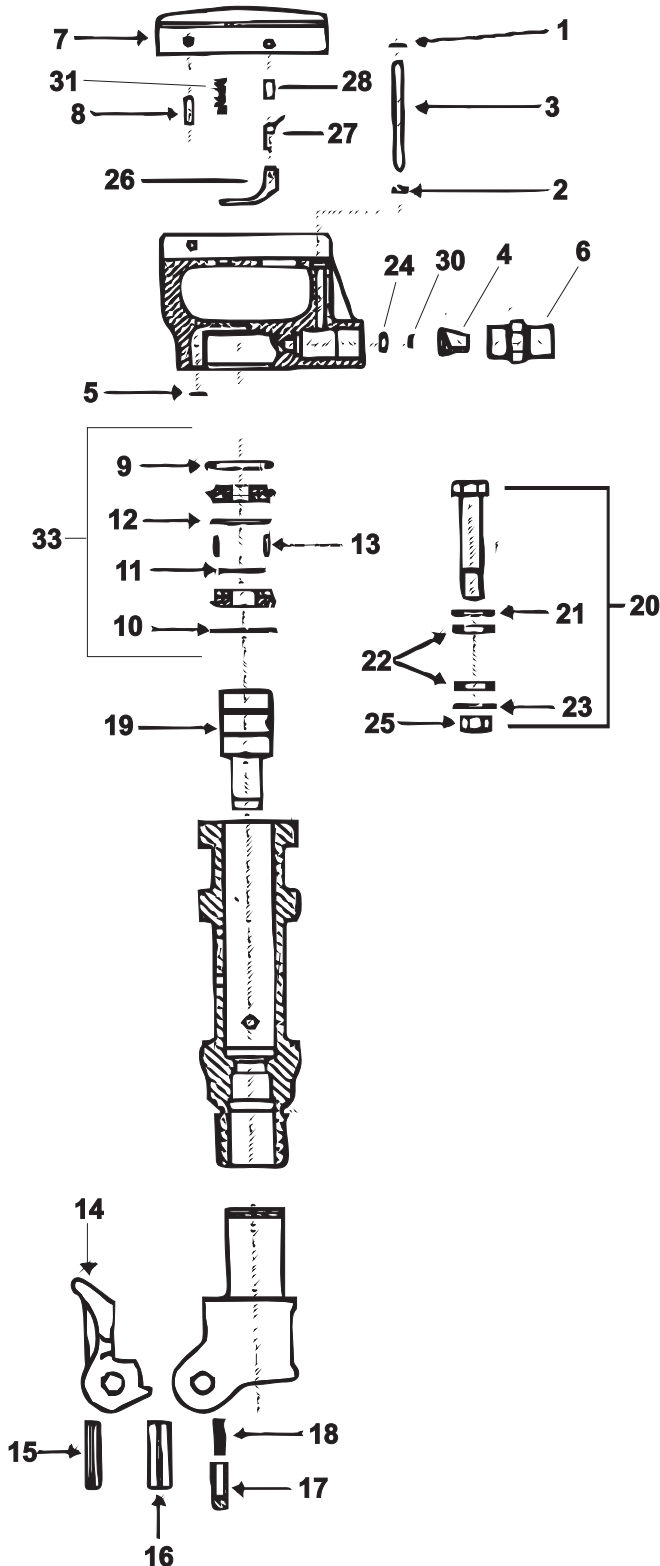
SK8 BREAKER SPARES

Part No.	Ref	Description	OEM No.	Price
SK8/1	1	Cylinder Dowel	68EMA0502	£1.15
SK8/2	2	Cylinder	68721696	POA
SK8/3	3	Cylinder Bush	68722951	POA
SK8/4	4	Cylinder Bush Fitted		POA
SK8/5	5	Spring	68MR0803	£3.10
SK8/6	6	Handle Bolt	68780061	£3.50
SK8/7	7	Handle Bolt Washer		£0.50
SK8/8	8	Inlet Nipple	68MT0750	£7.90
SK8/9	9	Lower Valve Seat	68722596	£40.20
SK8/10	10	Muffler	68722205	£31.95
SK8/11	11	Main Valve	68722607	£8.70
SK8/12	12	Piston	68722277	£64.75
SK8/13	13	Retainer	68721553	£51.65
SK8/14	14	Retainer Lock Ring	68CJ0031	£3.45
SK8/15	15	Trigger	68723049	£28.45
SK8/16	16	Trigger Pin	68AMA0608	£2.15
SK8/17	17	Throttle Plunger	68722705	£4.40
SK8/18	-	Plunger O-Ring		£0.40
SK8/19	19	Throttle Seal	68CJ0181	£1.75
SK8/20	20	Throttle Cone	68721468	£10.42
SK8/21	21	Valve Case	68721464	£34.15
SK8/22	22	Safety Catch	68722861	£11.40
SK8/23	23	Safety Spring	68722862	£3.45
SK8/24	24	Pin	68722863	£1.05
SK8/25	25	Circlip	68524303	£0.65
SK8/26	26	Gasket	68524302	£4.55
SK8/27	27	Top Valve O-Ring	68524380	£2.43
SK8/28	28	Shock Absorber	68722597	£16.65



Breaker Spares

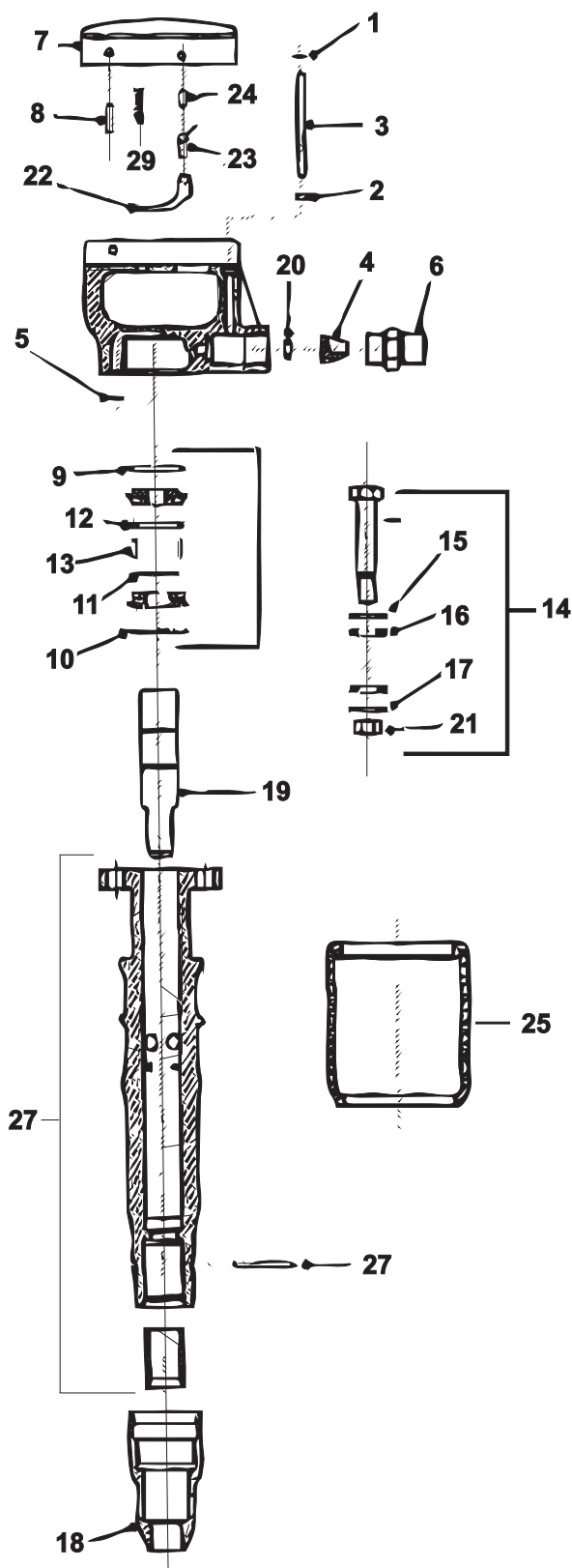
SK10 BREAKER SPARES



Part No.	Ref	Description	OEM No.	Price
SK10/1	1	Circlip	68524303	£0.82
SK10/2	2	Push Rod Gasket	68524302	£4.95
SK10/3	3	Push Rod	68722830	£4.46
SK8/20	4	Throttle Cone	68721468	£10.42
SK10/5	5	Handle Gasket	68722797	£4.67
SK10/6	6	Nipple	68MT0750	£7.90
SK10/7	7	Trigger	68722829	£38.45
SK10/8	8	Trigger Pin	68VV5628	£1.35
SK10/9	9	Top Valve O-Ring	68CJ0028	£1.60
SK10/10	10	Bottom Valve O-Ring	68CJ0144	£2.39
SK10/11	11	Main Valve	68722796	£8.66
SK10/12	12	Valve Case	68722795	£10.50
SK10/13	13	Valve Case Pin	68VV8912	£0.50
SK10/14	14	Latch	68722885	£40.20
SK10/15	15	Latch Pin (Inner)	68524011	£3.53
SK10/16	16	Latch Pin (Outer)	68521668	£5.20
SK10/17	17	Latch Plunger	68722737	£4.77
SK10/18	18	Latch Plunger Spring	68MR0707	£2.51
SK10/19	19	Piston	68722949	£66.09
SK10/20	20	Side Bolt Complete	68780266	£20.08
SK10/21	21	Side Bolt Washer	68722959	£1.50
SK10/22	22	Shock Absorber	68722957	£2.20
SK10/23	23	Side Bolt Washer	68722958	£1.70
SK10/24	24	Throttle Valve O-Ring	68CJ0181	£1.75
SK10/25	25	Side Bolt Nut	68VE8141	£1.00
SK10/26	26	Safety Catch	68722861	£13.15
SK10/27	27	Spring	68722862	£5.20
SK10/28	28	Pin	68722863	£1.05
SK10/29	29	Cylinder	68723072	POA
SK10/30	30	Nozzle	68723034	£8.75
SK10/31	31	Spring	68MR0803	£3.71
SK12/25	-	Muffler	68723183	£58.80
SK10/33	33	Valve Kit	68780251	£57.34

Breaker Spares

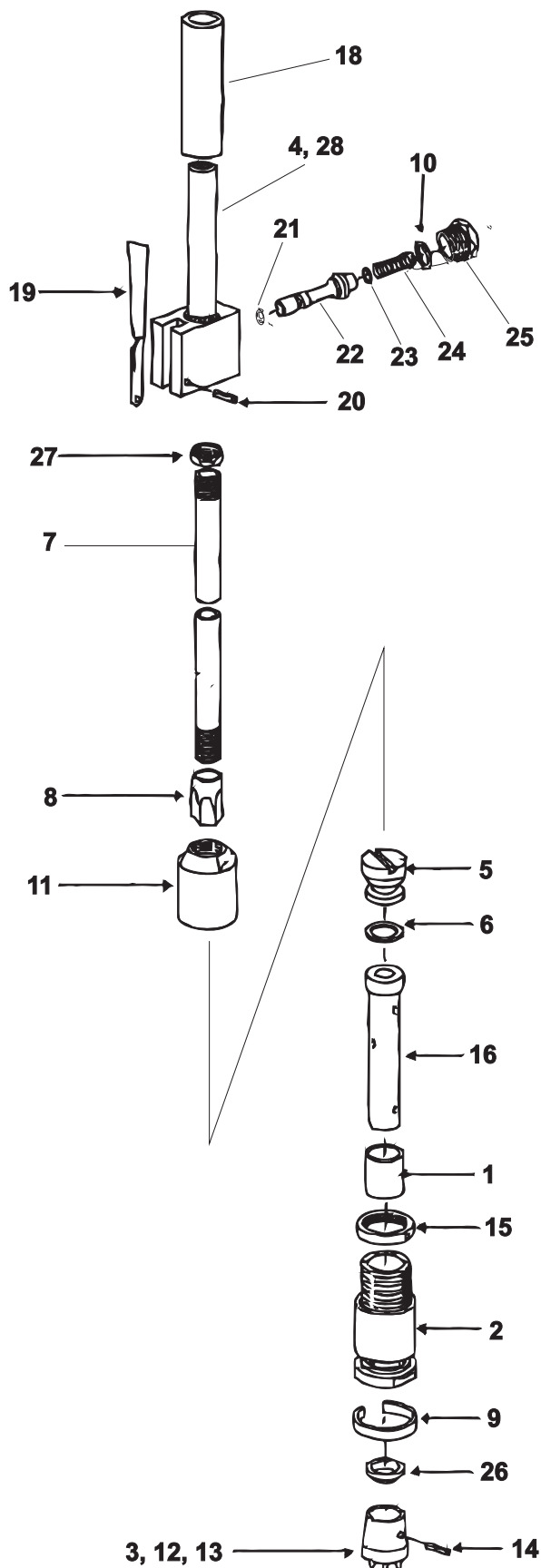
SK12 BREAKER SPARES



Part No.	Ref	Description	OEM No.	Price
SK12/1	1	Circlip	68524303	£0.85
SK12/2	2	Push Rod Gasket	68524302	£4.67
SK12/3	3	Push Rod	68722830	£4.81
SK8/20	4	Throttle Cone	68721468	£10.42
SK12/5	5	Handle Gasket	68722797	£4.81
SK12/6	6	Nipple	68MT0750	£9.44
SK12/7	7	Trigger	68722829	£38.45
SK12/8	8	Trigger Pin	68VV5628	£1.35
SK12/9	9	Top Valve O-Ring	68CJ0028	£2.43
SK12/10	10	Bottom Valve O-Ring	68CJ0144	£2.41
SK12/11	11	Main Valve	68722796	£7.90
SK12/12	12	Valve Case	68722795	£10.50
SK12/13	13	Valve Case Pin	68VV8912	£0.50
SK12/14	14	Side Bolt Complete	68780266	£20.69
SK12/15	15	Side Bolt Washer	68722959	£1.50
SK12/16	16	Absorber Washer	68722957	£2.20
SK12/17	17	Side bolt Washer	68722958	£1.50
SK12/18	18	Retainer Sleeve	68TT0490	£77.73
SK12/19	19	Piston	68723060	£67.40
SK12/20	20	Throttle Valve O-Ring	68CJ0181	£2.18
SK12/21	21	Side Bolt Nut	68VE8141	£1.00
SK12/22	22	Safety Catch	68722861	£13.15
SK12/23	23	Spring	68722862	£5.20
SK12/24	24	Pin	68722863	£1.05
SK12/25	25	Muffler	68723183	£58.80
SK12/26	26	Gasket/Lock Ring	68CJ0032	£3.45
SK12/27	27	Cylinder	687802248	POA
SK12/28	28	Sleeve		£101.50
SK12/29	29	Spring	68MR0803	£3.71
SK12/30	30	Valve Kit	68780251	£59.23

Scabblers Spares

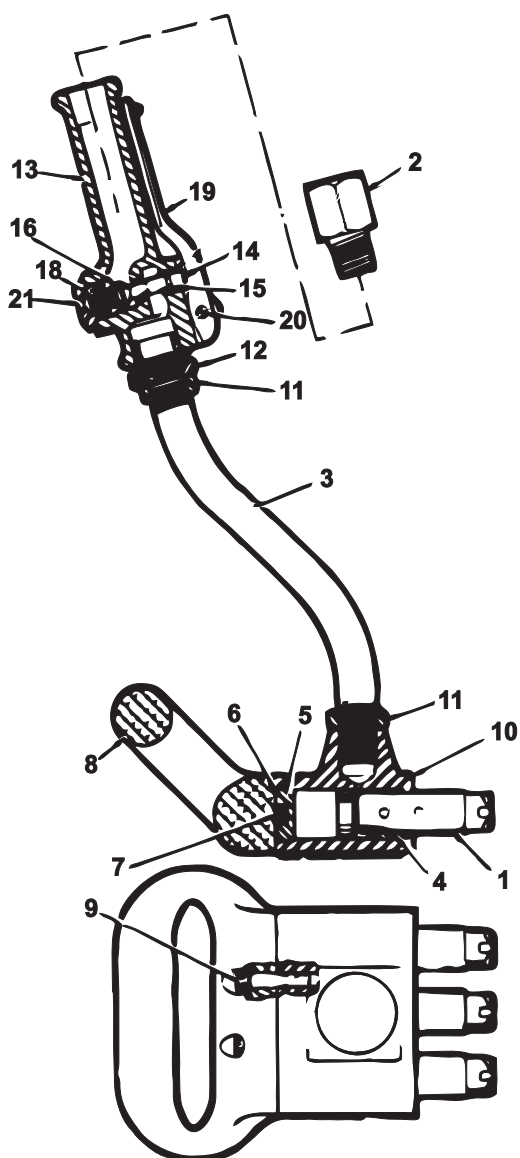
POLE SCABBLER SPARES



Part No.	Ref	Description	OEM No.	Price
PS/01	1	Cylinder Liner	203032	£23.83
PS/02	2	Cylinder	207606	£122.50
PS/03	3	Cross Head	810009	£68.78
PS/04	4	Handle Complete	207810/1	£105.00
PS/05	5	Distributor Block	207003	£24.50
PS/06	6	Distributor Block Seal	207004	£1.50
PS/07	7	Extension Pole	207001	£21.90
PS/08	8	Lock Nut	207008	£8.75
PS/09	9	Exhaust Deflector	207007	£39.65
PS/10	10	Fibre Washer	109043	£1.87
PS/11	11	Head Screw	207002	£61.25
PS/12	12	5 Point Head	810025	£60.23
PS/13	13	9 Point Head	810019	£89.20
PS/14	14	Head Pin	203037	£3.61
PS/15	15	Lock Ring	207005	£19.20
PS/16	16	Piston	203031	£45.50
PS/17	-	3/4" Male/Male Nipple	484034	£1.60
PS/18	18	Grip	43476	£7.00
PS/19	19	Throttle Lever	109031	£21.00
PS/20	20	Throttle Lever Pin	109036	£0.80
PS/21	21	Throttle Stem Seal	005007	£0.82
PS/22	22	Throttle Valve	109046	£8.95
PS/23	23	Throttle Valve Seal	109039	£1.24
PS/24	24	Throttle Valve Spring	023046	£2.43
PS/25	25	Throttle Valve Plug	109033	£7.38
PS/26	26	Wiper Ring	203036	£6.95
PS/27	27	Handle Lock Nut	203049	£3.95
PS/28	28	Bare Handle	207810	£78.75

Scabblers Spares

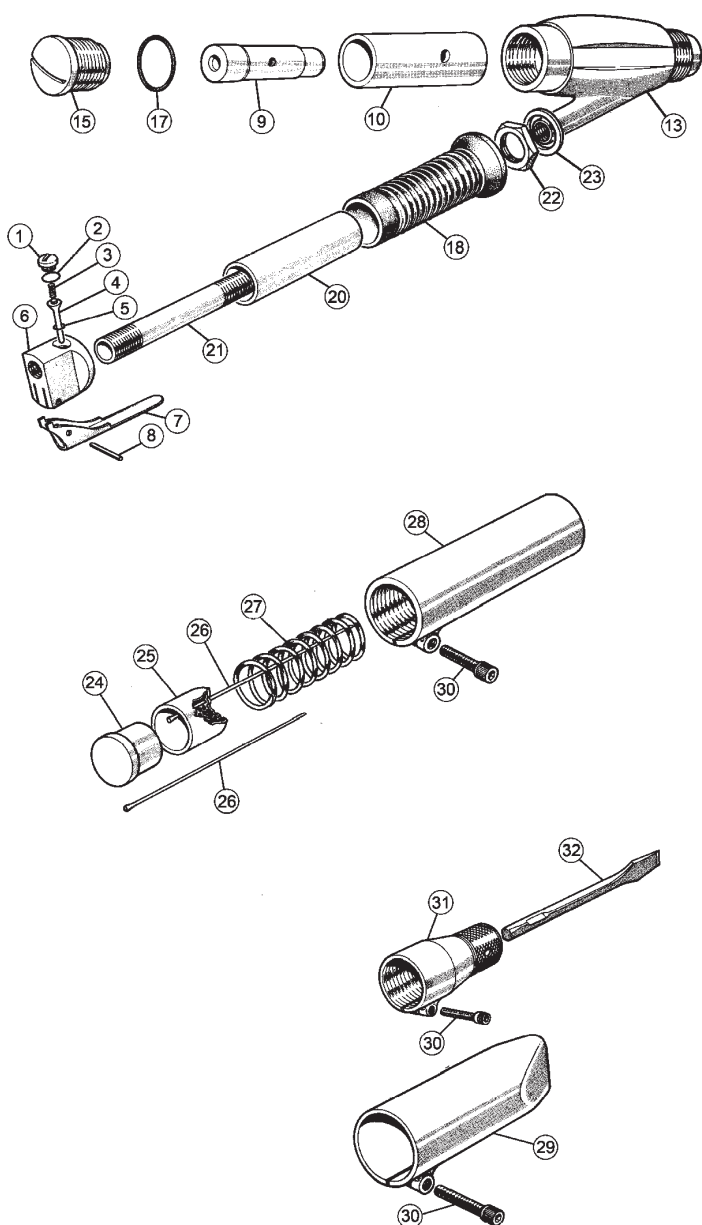
CP6 SCABBLER SPARES



Part No.	Ref	Description	OEM No.	Price
CP6/01	1	Piston	F064604	£55.79
CP6/02	2	Air Inlet Bush	F826678	£7.90
GENF64668	3	Bent Handle	F64668	£50.85
CP6/04	4	Cylinder Bush	F826808	£14.42
CP6/05	5	Cylinder Cap	F826706	£6.65
CP6/06	6	O-Ring	A082759	£1.36
CP6/07	7	Cushion Ball	F61776	£3.60
CP6/08	8	Cylinder Handle	F826708	NLA
CP6/09	9	Cap Screw	F826516	£1.75
CP6/10	10	Cylinder Body	F826707	NLA
CP6/11	11	Lock Nut	F064909	£4.90
CP6/12	12	Reducer Bush	F826506	NLA
CP6/13	13	Throttle Body	P007395	£105.00
CP6/14	14	Throttle Valve	P087671	£8.70
CP6/15	15	O-Ring (Small)	8FPS2760	£0.75
CP6/16	16	O-Ring (Large)	CA88867	£1.00
CP6/18	18	Throttle Spring	P001858	£3.45
CP6/19	19	Throttle Lever	P001903	£37.10
CP6/21	20	Throttle Lever Pin	P001921	£1.05
CP6/22	21	Throttle Plug	P001964	£8.70

Jason/Trelawny Needle Gun Spares

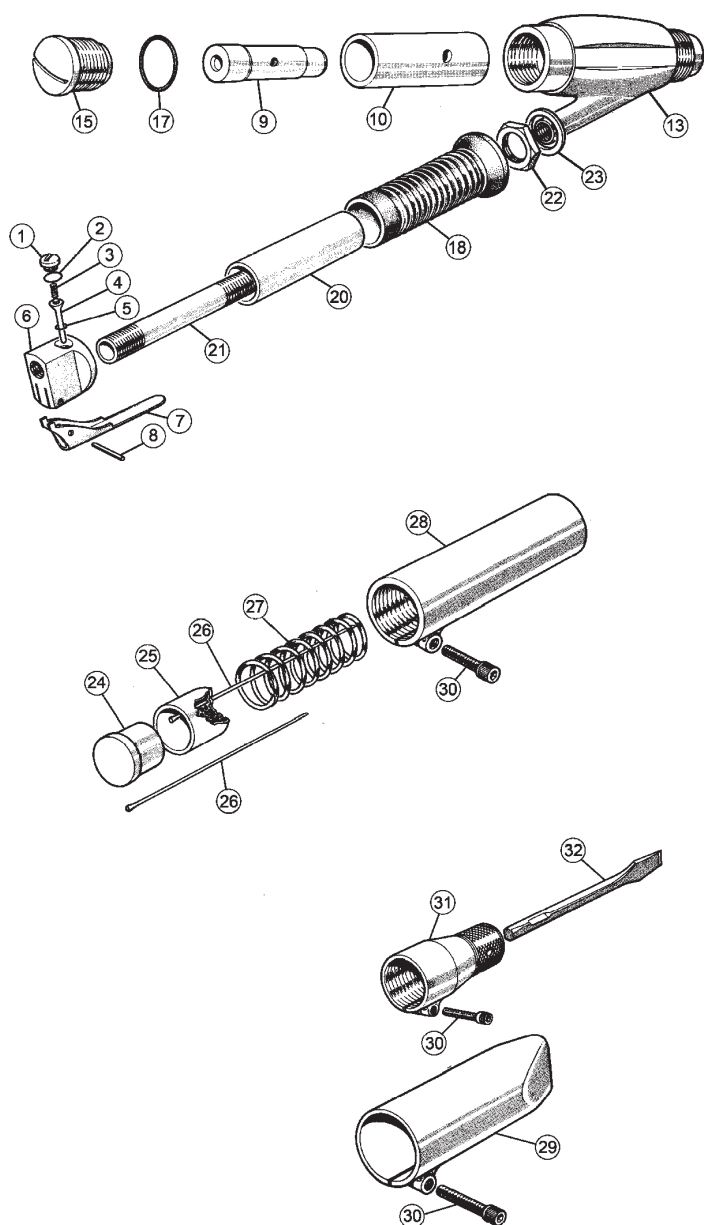
1B & 2B NEEDLE GUN SPARES



Part No.	Ref	Description	Price
615 3021	1	Valve Cap	£4.62
809 0139	2	O Ring, Valve Cap	£2.33
712 3022	3	Valve Spring	£2.33
618 3022	4	Valve Stem	£4.50
809 0089	5	O Ring - Valve Seat	£2.33
423.1021	6	Valve Body 1B (incl 1-7)	£73.48
423.2021	6	Valve Body 2B (incl 1-7)	£81.04
716 3021	7	Throttle Lever 1B	£2.97
888 530	7	Throttle Lever 2B	£3.08
888 531	8	Roll Pin	£2.33
888 501	9	Piston 1B	£26.85
888 502	9	Piston 2B	£33.01
411.1002	13	Body 1B	£83.90
411.2002	13	Body 2B	£104.70
809 0249	17	O Ring 1B	£2.33
809 5179	17	O Ring 2B	£2.33
888 511	24	Anvil 1B	£12.07
888 512	24	Anvil 2B	£16.80
888 541	25	Needle Holder 1B (12 Holes)	£27.72
888 542	25	Needle Holder 2B (19 Holes)	£36.56
888 551	26	1B Pointed Needle Set of 12	£5.60
888 561	26	1B Chisel Needle Set of 12	£5.50
888 552	26	2B Pointed Needle Set of 19	£8.90
888 562	26	2B Chisel Needle Set of 19	£8.90
888 521	27	Compression Spring 1B	£4.33
888 522	27	Compression Spring 2B	£4.50
416.1032	28	Tube 1B (incl. item 30)	£29.70
416.2032	28	Tube 2B (incl. item 30)	£34.31
418.1032	29	Front Tube 1B (incl. item 30)	£33.33
418.2032	29	Front Tube 2B (incl. item 30)	£39.27
806.0825	30	Cap Head Screw 1B	£2.33
806 0830	30	Cap Head Screw 2B	£2.33
419.1241	31	Chisel Holder 1B	£78.27
419.2241	31	Chisel Holder 2B	£91.50
704 1101	32	Chisel 7" x 3/4" Blade	£14.06
704 1103	32	Chisel 7" x 2.3/4" Blade	£29.49
446.1010	-	1B Service Kit (incl. 9, 17, 24, 25, 27 & 1 x Set Needles)	£41.98
446 1020	-	2B Service Kit (incl. 9, 17, 24, 25, 27 & 1 x Set Needles)	£50.99

Jason/Trelawny Needle Gun Spares

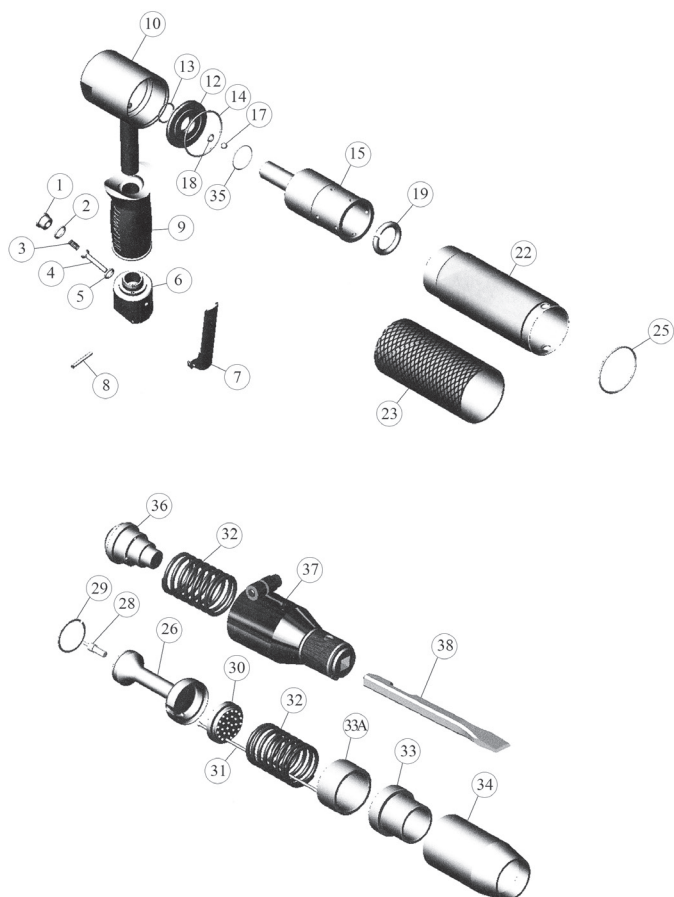
3B & 4B NEEDLE GUN SPARES



Part No.	Ref	Description	Price
615 3021	1	Valve Cap	£4.62
809 0139	2	O Ring, Valve Cap	£2.33
712 3022	3	Valve Spring	£2.33
618 3022	4	Valve Stem	£4.50
809 0089	5	O Ring - Valve Seat	£2.33
423 3021	6	Valve Body (incl 1-8)	£68.55
888 530	7	Throttle Lever	£3.08
888 531	8	Roll Pin	£2.33
888 503	9	Piston 3B	£37.98
888 504	9	Piston 4B	NLA
613.3001	10	Cylinder 3B	£43.66
613.4001	10	Cylinder 4B	NLA
611.3002	13	Body 3B	£89.80
411.4002	13	Body & Handle Assy 4B	NLA
615.3001	15	End Cap 3B	£21.05
615.4001	15	End Cap 4B	NLA
809.0269	17	O Ring 3B	£2.33
809 0299	17	O Ring 4B	£2.33
717 3011	18	Rubber Handle Grip	£2.33
624.3001	20	Handle Tube	£8.99
625.3001	22	Lock Nut	£6.27
810.9000	23	Sealing Washer	£2.33
888 513	24	Anvil 3B	£19.40
888 514	24	Anvil 4B	NLA
888 543	25	Needle Holder 3B (28 Holes)	£40.07
888 544	25	Needle Holder 4B (49 Holes)	£69.17
888 553	26	3B Pointed Needle Set of 28	£13.07
888 563	26	3B Chisel Needle Set of 28	£12.50
888 554	26	4B Pointed Needle Set of 49	£22.87
888 564	26	4B Chisel Needle Set of 49	£22.00
888 523	27	Compression Spring 3B	£4.50
888 524	27	Compression Spring 4B	NLA
416.3032	28	Tube 3B (incl. item 30)	£42.72
416.4032	28	Tube 4B (incl. item 30)	£49.68
418 3032	29	Front Tube 3B (incl. item 30)	£45.66
418.4032	29	Front Tube 4B (incl. item 30)	NLA
806 0830	30	Cap Head Screw 3B	£2.33
806 0835	30	Cap Head Screw 4B	£1.30
419.3241	31	Chisel Holder 3B	£93.40
419.4241	31	Chisel Holder 4B	£111.60
704 1101	32	Chisel 7" x 3/4" Blade	£14.06
704 1103	32	Chisel 7" x 2.3/4" Blade	£29.49
446 1030	-	3B Service Kit (incl. 9, 17, 24, 25, 27 & 1 x Set Needles)	£69.80
446.1040	-	4B Service Kit (incl. 9, 17, 24, 25, 27 & 1 x Set Needles)	£96.70

Jason/Trelawny Needle Gun Spares

VL203 NEEDLE GUN SPARES

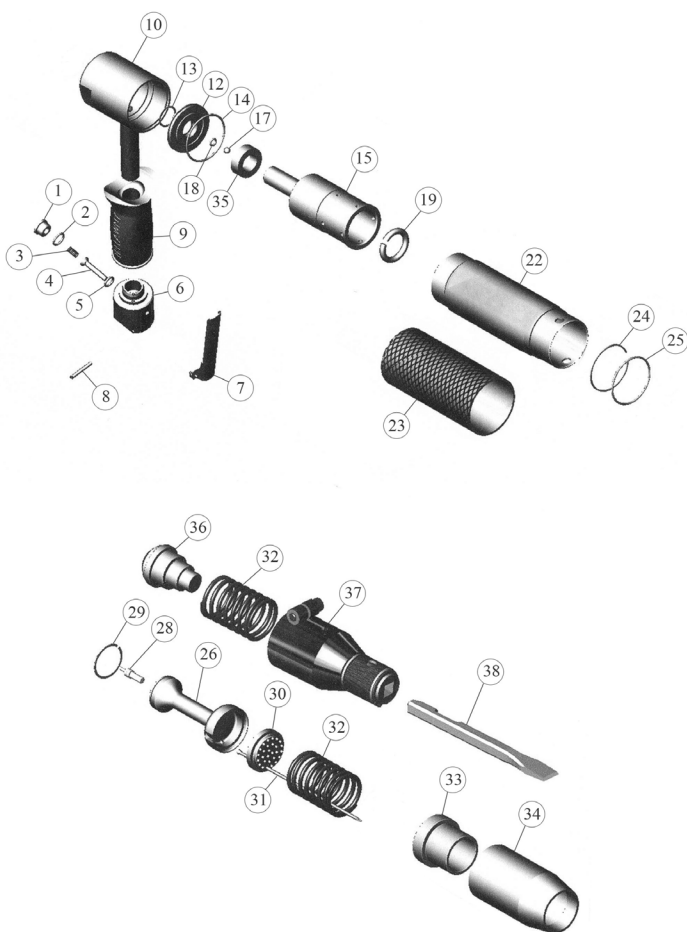


Part No	Ref.	Description	Price
615 3021	1	Valve Cap	£4.62
809 0139	2	Valve Cap O'Ring	£2.33
712 3022	3	Valve Spring	£2.33
618 3022	4	Valve Stem	£4.50
809 0089	5	Valve Seat O'Ring	£2.33
NLA	6	Valve Body	-
423.3021	6	Valve Body Assembly BSP Thread (incl items 1-8)	£78.55
423.3521	6	Valve Body Assembly NPT Thread (incl items 1-8)	£23.70
888 530	7	Throttle Lever	£3.08
716.1000	7	Safety Throttle Lever	£6.63
888 531	8	Roll Pin	£2.33
717.3050	9	Rubber Handle Grip	£2.97
425.2003	10	VL203 Cover Assembly (Pistol Grip)	£65.42
652.2003	12	Guide Plate	£9.59
829.2003	13	Guide Plate Seal	£26.15
809 0299	14	Guide Plate O'Ring	£2.33
428.2003	15	Cylinder	£48.74
816 3003	17	Plastic Ball 6mm diameter	£3.78
809 0080	18	Ball Retaining O'Ring	£2.33
809.2004	19	Piston Cushion	£2.33
622.2031	22	Intermediate Tube	£63.77
721.2003	23	Intermediate Tube Outer Sleeve	£12.02
809 0299	25	Front Tube Locking O'Ring	£2.33
612.2003	26	Piston	£43.06
636 3003	28	Valve Pin	£6.39
829.2002	29	Piston Ring	£26.63
601.2030	30	3mm Needle Holder (19 Needles fitted as standard)	£45.08
601.2020	30	2mm Needle Holder (51 Needles)	NLA
NLA	30	3mm Needle Holder for Domed Beryllium Needles	-
413.2119	31	6 x Needle 3mm Chisel set (fitted as standard)	NLA
412.1151	31	6 x Needle 2mm Flat set	NLA
413.1119	31	6 x Needle 3mm Flat set	NLA
413.3119	31	6 x Needle 3mm Pointed set	NLA
NLA	31	Needle set (1 x set Beryllium Copper)	-
712.2003	32	Front Spring	£11.35
620.2003	33	Front Tube Insert	£10.77
620.2003A	33	Front Tube Spacer	£9.70
622.2030	34	Front Tube	£45.08
809.3005	35	Cylinder Stem Reaction Ring	£2.33
610.2003	36	Anvil	£19.40
419.2003	37	Chisel Holder	£93.40
704.3101	38	Chisel 1/2" Sq Shank 7" x 3/4" Blade	£14.41
704.3103	38	Chisel 1/2" Sq Shank 7" x 2 1/2" Blade	£29.49
704.3205	38	Chisel 1/2" Sq Shank 7" x 1 3/8" Blade	£21.33
704.3110	38	Chisel 1/2" Sq Shank Spark Resistant 2" Blade	£147.60
705.1102	38	Chisel 5/8" Hex Shank 8" x 4" Blade	£41.58
705.1106	38	Chisel 5/8" Hex Shank 9" x 2" Blade	£50.14
705.1112	38	Chisel 5/8" Hex Shank Spark Resistant 4" Blade	£198.20
708.1100	38	Comb Holder 5/8" Hex Shank (for 1 1/2" Comb)	£69.80
431.3504	38	Scraper 5/8" Hex Shank c/w 4" Blade	£66.55
819.2375	38	Connector 1/4" BSPT-3/8" Stem	£4.15
418.2003	-	Vacuum shroud assembly (with flat cuff)	£82.50
731.2103	-	Flat Cuff	£9.70
446.2003	-	Service Kit, (2, 5,13,14,17,18,19,28,29,30,31 & 32)	£104.70

Jason/Trelawny Needle Gun Spares

VL303 NEEDLE GUN SPARES

Part No	Ref.	Description	Price
615 3021	1	Valve Cap	£4.62
809 0139	2	Valve Cap O'Ring	£2.33
712 3022	3	Valve Spring	£2.33
618 3022	4	Valve Stem	£4.50
809 0089	5	Valve Seat O'Ring	£2.33
NLA	6	Valve Body	-
423.3021	6	Valve Body Assembly BSP Thread (inc items 1-8)	£78.55
NLA	6	Valve Body Assembly NPT Thread (inc items 1-8)	-
888 530	7	Throttle Lever	£3.08
716.1000	7	Safety Throttle Lever	£6.63
888 531	8	Roll Pin	£2.33
717.3050	9	Rubber Handle Grip	£2.97
425.3003	10	Cover Assembly (Pistol Grip)	£82.81
652.3003	12	Guide Plate	£9.59
829.3003	13	Guide Plate Seal	£26.15
809 0299	14	Guide Plate O'Ring	£2.33
428.3003	15	Cylinder	£44.24
816 3003	17	Plastic Ball 6mm diameter	£3.78
809 0080	18	Ball Retaining O'Ring	£2.33
809 3004	19	Piston Cushion	£2.33
622.3031	22	Intermediate Tube	£63.77
721.3003	23	Intermediate Tube Outer Sleeve	£12.90
814.3003	24	Circlip	£2.33
809 0299	25	Front Tube Locking O'Ring	£2.33
612.3003	26	Piston	£43.06
636 3003	28	Valve Pin	£6.39
829 3002	29	Piston Ring	£26.63
601.3030	30	3mm Needle Holder (fitted as standard)	£45.08
601.3020	30	2mm Needle Holder	NLA
601.3040	30	4mm Needle Holder	NLA
413 2128	31	6 x Needle 3mm Chisel set (fitted as standard)	NLA
412.1165	31	6 x Needle 2mm Flat set	NLA
413.1128	31	6 x Needle 3mm Flat set	NLA
413.3128	31	6 x Needle 3mm Pointed set	NLA
403.1328	31	Needle set (1 x set Beryllium Copper)	£75.15
414.1119	31	6 x Needle 4mm Flat Tipped	NLA
712 3003	32	Front Spring	£8.75
620.3003	33	Front Tube Insert	£10.77
622.3030	34	Front Tube	£36.56
729.3003	35	Cylinder Stem Reaction Ring	£5.20
610.3003	36	Anvil	£19.40
419.3003	37	Chisel Holder 1/2" square shank	£93.40
704.3101	38	Chisel 1/2" Sq Shank 7" x 3/4" Blade	£14.41
704.3110	38	Chisel 1/2" Sq Shank Spark Resistant 2" Blade	£147.60
704.3103	38	Chisel 1/2" Sq Shank 7" x 2 1/2" Blade	£29.49
704.3205	38	Chisel 1/2" Sq Shank 7" x 1 3/8" Blade	£21.33
819.2375	-	Connector 1/4" BSPT-3/8" Stem	£4.15
418.3003	-	Vacuum shroud assembly (with flat cuff)	£82.50
731.3103	-	Flat Cuff	£13.00
446 3003	-	Service Kit, (2,5,13,14,17,18,19, 28,29,30,31set & 32)	£104.70



Trelawny Low Vibration Needle Guns



Trelawny VL203 Low Vibration Needle Scaler

Medium duty low vibration pistol grip style scaler
Light weight, easy to handle
Requires no additional tools for changing needles
Reduced vibration, lowers risk of vibration related injuries and improves operator control
Complete with 19 Chisel Tip Needles



Vibration Level Aeq - 2.75 m/s²
Hose Size- 3/8 inch (connection 1/4" BSP)
Weight - 2.7kg

Part No.	Price
196 2003	£333.00

Trelawny VL303 Low Vibration Needle Scaler

Heavy duty low vibration pistol grip style scaler
Requires no additional tools for changing needles
Reduced vibration, lowers risk of vibration related injuries and improves operator control
Ergonomically designed with low maintenance
Complete with 28 Chisel Tip Needles

Vibration Level Aeq - 2.3 m/s²
Hose Size- 3/8 inch (connection 1/4" BSP)
Weight - 3.5kg

Part No.	Price
196 3003	£356.00



SERVICE KIT FOR VL203



Service Kit for VL203 & 223 Needle Guns

Kit includes:
O Rings, Seals, Ball, Piston Cushion, Valve Pin, Piston Ring, Front Spring, 3mm Needle Holder & Set of Needles

SERVICE KIT FOR VL303



Service Kit for VL303 Needle Gun

Kit includes:
O Rings, Seals, Ball, Piston Cushion, Valve Pin, Piston Ring, Front Spring, 3mm Needle Holder & Set of Needles

Part No.	Price
446 2003	£104.70

Part No.	Price
446 3003	£104.70



Trelawny Bulk Needle Packs

Bulk boxes of needles and chisels available for any Trelawny needle gun. Please call us for details.

Please contact us for spare parts not listed here for your Trelawny machine.



Pneumatic Fittings



When Ordering BSP Fittings, Measure Across the Thread with a Ruler or Vernier.

Please see the Table Below for BSP Thread Sizes - More Measuring Tools Available in the Workshop Catalogue (Section G).

Q-COUPLING - HOSE TAIL



Q type air hose coupling to hose tail

Part No.	Size	Price
810 014	1/4" Hose Tail	£13.12
810 038	3/8" Hose Tail	£3.45
810 012	1/2" Hose Tail	£2.45
810 034	3/4" Hose Tail	£2.58
810 100	1" Hose Tail	£3.70

Q-COUPLING - BSP FEMALE



Q type air hose coupling to BSP female thread

Part No.	Size	Price
820 014	1/4" BSP	£5.48
820 038	3/8" BSP	£3.70
820 012	1/2" BSP	£2.65
820 034	3/4" BSP	£2.88
820 100	1" BSP	£4.00

Q-COUPLING - BSP MALE



Q type air hose coupling to BSP male thread

Part No.	Size	Price
840 014	1/4" BSP	£4.49
840 038	3/8" BSP	£3.70
840 012	1/2" BSP	£2.75
840 034	3/4" BSP	£3.15
840 100	1" BSP	£3.85

AIR HOSE CLAMP



Maleable air hose clamp - c/w nuts & bolts

Part No.	Size	Price
813 012	1/2" Bore Hose	£2.70
813 340	3/4" Safety Hose	£4.35
813 034	3/4" Bore Hose	£2.60
813 078	1" Bore Hose	NLA
813 099	Nuts/Bolts for 3/4"	£0.25

TWIN TAP OUTLET



Twin tap outlet 3/4" BSP - female inlet
Twin Q-coupling outlet c/w 2 shut off taps

Part No.	Price
855 340	£91.70

6" DIGITAL VERNIER



Digital Vernier Caliper
LCD Display
Measuring Range 0-150mm (0-6")

Part No.	Price
902 1970	£19.90

Q-COUPLING RUBBER



Replacement hose rubber
For Q type couplings

Part No.	Price
816 200	£0.42

Q-COUPLING - HOSE TAIL



Q Coupling
3/4 Hose Tail (Longer Thread)

Part No.	Price
810 035	£3.30

HOSE JOINERS



Tube hose joiners
Serrated ends for extra hose grip

Part No.	Size	Type	Price
814 038	3/8" Bore Hose	Brass	£2.05
814 012	1/2" Bore Hose	Aluminium	£2.67
814 034	3/4" Bore Hose	Steel	£3.93
814 100	1" Bore Hose	Steel	£3.80

EXTENSION TUBES



Steel extension tubes 3/4" BSP
Threaded both ends

Part No.	Size	Price
816 434	4"	£3.90
816 636	6"	£4.10

British Standard Pipe Thread Sizes

BSP Thread Size	O/D mm/inch	Threads Per Inch
1/16" BSP	7.7mm / 0.304"	28 TPI
1/8" BSP	9.7mm / 0.383"	28 TPI
1/4" BSP	13.16mm / 0.518"	19 TPI
3/8" BSP	16.66mm / 0.656"	19 TPI
1/2" BSP	20.99mm / 0.825"	14 TPI
5/8" BSP	22.99mm / 0.902"	14 TPI
3/4" BSP	26.44mm / 1.041"	14 TPI
1" BSP	33.25mm / 1.309"	11 TPI
1-1/4" BSP	41.91mm / 1.650"	11 TPI
1-1/2" BSP	47.80mm / 1.882"	11 TPI
2" BSP	59.61mm / 2.347"	11 TPI
2-1/4" BSP	65.71mm / 2.587"	11 TPI
2-1/2" BSP	75.18mm / 2.96"	11 TPI
3" BSP	87.88mm / 3.46"	11 TPI
4" BSP	113.03mm / 4.45"	11 TPI
5" BSP	138.43mm / 5.45"	11 TPI
6" BSP	163.83mm / 6.45"	11 TPI

Pneumatic Fittings

50FT AIR HOSE ASSY



Yellow over-braided air compressor hose complete with claw couplings

3/4" hose
50ft length

Part No.	Price
816 600	£62.00

50FT NON-BRAIDED AIR HOSE



Yellow non-braided air compressor hose complete with claw couplings

3/4" hose
50ft length

Part No.	Price
816 601	£62.27

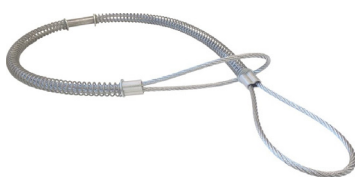
LEVER BALL VALVES



Female/Female BSP
Brass body & stem seal
PTFE seal & o-rings
Hard, chrome plated brass ball

Part No.	Size	Price
850 014	1/4" BSP	£3.30
850 038	3/8" BSP	£3.40
850 012	1/2" BSP	£4.64
850 034	3/4" BSP	£6.73
850 100	1" BSP	£9.32
850 114	1.1/4" BSP	£16.51
850 112	1.1/2" BSP	£21.58
850 222	2" BSP	£35.00
850 300	3" BSP	£112.80
850 400	4" BSP	£187.80

WHIP CHECK CABLES



Safety whip check cables for compressed air lines

Part No.	Hose Size	Price
816 900	1/2" to 1.1/4"	£2.15
816 850	1.1/2" to 3"	£6.90

BLOW OUT LANCE KITS



Complete With Air Tap & 1/2" Claw Coupling

Part No.	Length	Price
969 010	1 metre	£19.00
969 015	2 metre	£24.50

WHEEL GATE VALVES



Female/Female BSP
Heavy duty, gunmetal/bronze gate valves

Part No.	Size	Price
860 014	1/4" BSP	£5.41
860 038	3/8" BSP	£5.70
860 012	1/2" BSP	£5.80
860 034	3/4" BSP	£7.72
860 100	1" BSP	£10.92
860 114	1.1/4" BSP	£14.29
860 112	1.1/2" BSP	£23.20
860 200	2" BSP	£39.28

AIR EXHAUST SILENCER



Air exhaust silencer
3/4" BSP male thread

Part No.	Price
816 340	£48.44

AIR LINE LUBRICATOR



Air line lubricator - 320cl
c/w 3/4" claw couplings

Part No.	Price
816 500	£81.70

METAL ID TAG



Metal ID tag
3mm thick x 28mm hole

Part No.	Price
310 110	£1.38

KILFROST PNEUMATIC OIL



Pneumatic anti-freeze air line & tool lubricant
Prevents air tools freezing
Restores power & RPM
Absorbs moisture
Anti wear

Part No.	Size	Price
816 501	1 Litre	£6.18
816 505	5 Litre	£30.84

Atlas Copco Cobra TT Genuine Spares

The diagram shows an exploded view of the Atlas Copco Cobra TT engine and chassis. Various components are labeled with part numbers and prices. Some components are grouped into assemblies, such as the Starter Assembly, Silencer Assembly, Front Cover, and Inspection Cover.

9234 0010 08	£92.00	9234 0001 24	£43.75
9234 0001 36	£20.86	9234 0000 26	£6.82
9234 0000 20	£88.00	9234 0002 65	£165.60
9232 0207 50	£1.46	9234 0010 30	£3.03
9234 0003 54	£4.37	9234 0001 37	£1.69
0301 2321 00	£0.46	9234 0000 45	£4.57
9234 0003 36	£8.14	9234 0000 59	£7.15
9232 0207 50	£1.46	9232 0905 30	£9.62
9234 0003 35 (bushing)	£4.08	9232 0115 30	£1.58
9232 0115 30	£1.58	9234 0000 40	£4.52
9234 0002 01	£117.40	9234 0004 91	£43.43
9234 0001 43	£96.80	9234 0001 15	£122.00
9234 0005 81	£252.70	Starter Assembly 9234 0001 14	£210.50
9234 0003 32	£47.70	9234 0002 43	£73.25
9232 0503 50	£1.95	9234 0002 67	£3.08
9234 0000 81	£58.53	9234 0004 02	£10.72
9234 0004 10	£1.99	9234 0004 13	£3.08
9234 0006 74	£15.23	9232 0122 00	£1.78
9232 0124 00	£1.62	9234 0004 86	£4.52
9234 0000 81	£58.53	Silencer Assembly 9234 0001 20	NLA
9232 0207 50	£1.46	9234 0009 95	£28.97
9234 0003 45	£3.40	9234 0005 33	£1.75
Front Cover 9234 0209 54	£135.80	9234 0009 97	£111.60
9232 0207 50	£1.46	Inspection Cover 9234 0209 50	£59.90
9234 0209 67	£13.43		

Atlas Copco Cobra TT Genuine Spares

Crank Valve Assembly
9234 0015 49 £100.10

9234 0209 46 £153.50
9232 0118 80 £1.62
0301 2318 00 £0.48

0300 0274 74 £0.70
0147 1347 03 £2.49
9234 0004 15 £10.78
9234 0002 79 £445.00
9234 0000 76 £10.78

9234 0000 75 £2.05
9234 0000 72 £1.82
9234 0005 37 £309.50
9234 0004 14 £7.73

0147 1345 03 £1.75
0147 1335 03 £0.96
0300 0274 74 £0.70
9232 0905 20 £2.95
9232 2228 40 £1.95

Flywheel Assy
9234 0213 23 £438.00

9234 0002 00 £1.40
9234 0001 55 £4.52
9234 0000 32 £4.57
9234 0001 54 £2.98
9232 0209 00 £2.05

9232 0207 50 £1.46
Crankcase Pair (A + B)
9234 0002 82 £420.00

9234 0006 06 £6.18
9234 0000 38 £566.00
9234 0014 20 £174.00
9234 0000 07 (each) £16.73
9234 0001 26 £1.71
9234 0003 40 £34.45
RCJ8 £2.53

9232 0905 20 £2.95
9234 0030 60 £4.18
9232 0207 50 £1.46

Transmission Cover
9234 0003 20 £230.60

9234 0000 74 £58.45
9234 0003 96 £6.57
9232 0118 80 £1.62

Ignition Coil Assy
9234 0002 81 £242.60

9232 0120 00 £1.54

Cylinder & Piston Assy
9234 0001 06 £244.40

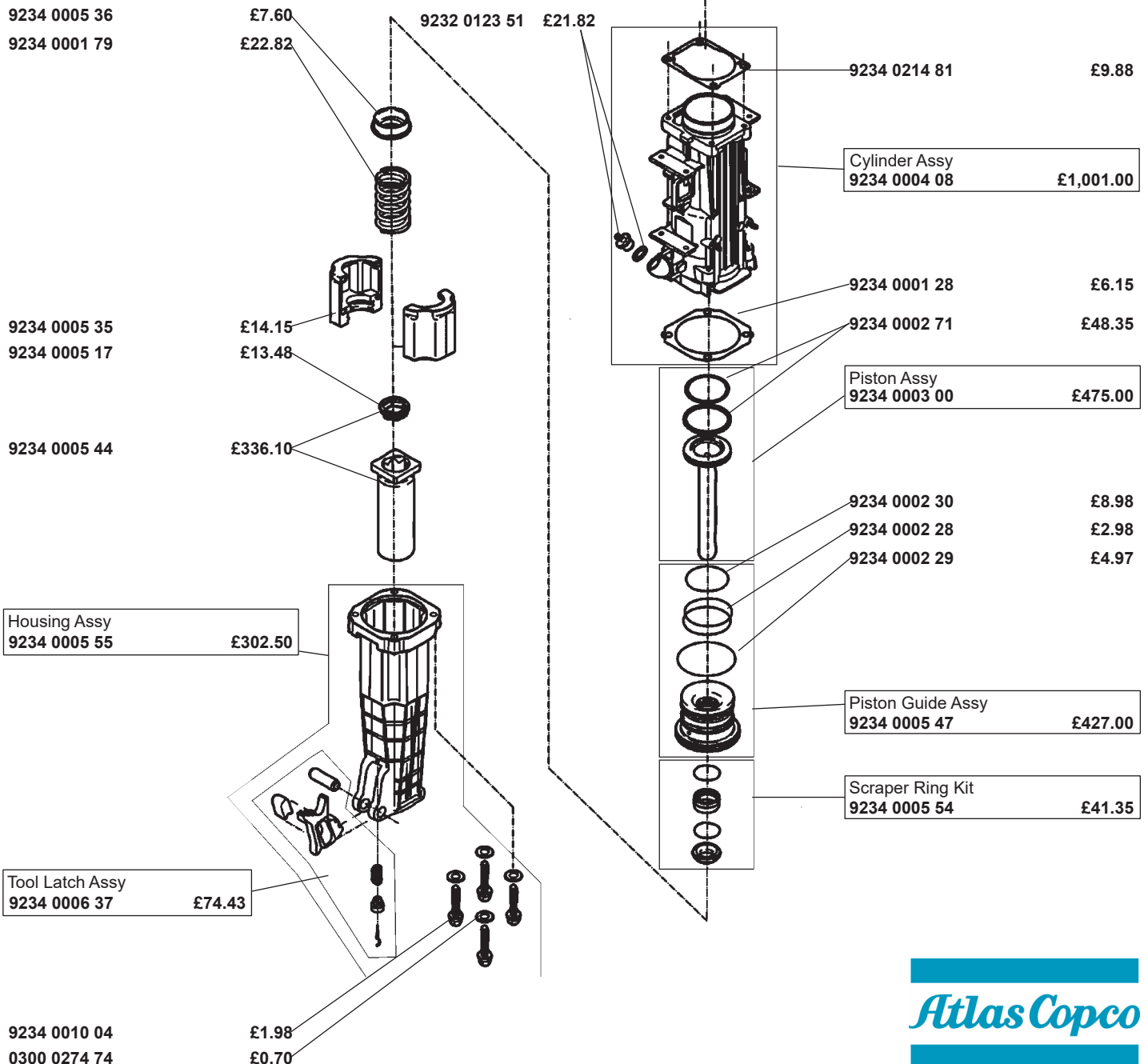
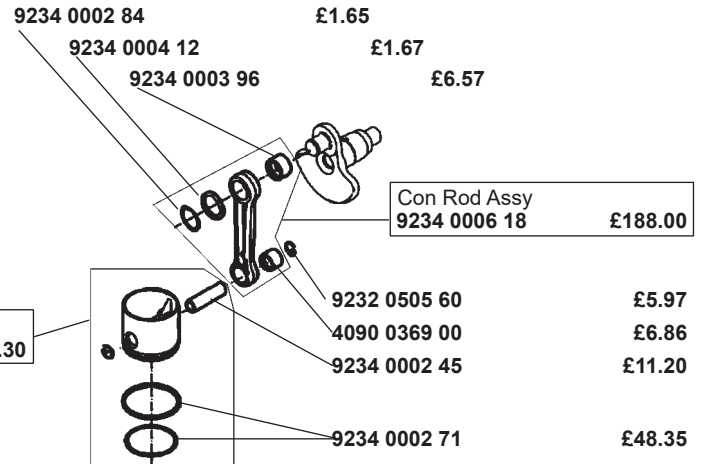
Bearing & Seal Kit
9234 0003 18 £131.10

Cap & HT Lead Assy
9234 0006 01 £99.90

G - Breaker Spares

Atlas Copco Cobra TT Genuine Spares

		
Moil Point	Narrow Chisel	Tarmac Cutter
912084 £19.80	912294 £21.75	912555 £39.00
		
Rammer Stem	7" Rammer Pad	
912903 £59.58	912906 £154.20	



Atlas Copco Cobra TT Genuine Spares



6 Month Service Kit
9234 0006 89 £286.90



Cobra 2-Stroke Oil 1L
9238 2743 50 £25.32



Cobra Impact Oil 1L
9234 0012 03 £13.77

9234 0002 55

£16.45

9234 0004 69

£1.58

9234 0002 12

£23.38

9234 0001 11

£8.23

9234 0004 90

£6.00

9234 0005 25

£19.00

9234 0005 65

£1.65

9234 0002 18

£10.43

9234 0005 84

£1.65

Handle Assembly

9234 0203 20

£143.30

1638903680

£26.99

Tank/Handle Assy

9234 0016 30

£369.40

Handle Strap Assembly

9234 0002 78

£54.75

9234 0002 97

£21.43

9234 0016 31

£32.55

9232 2306 00

£10.17

Pipe & Filter Assembly

9234 0016 32

£84.20

Stabiliser Assembly

9234 0007 50

£105.10

9234 0005 68

£48.52

9234 0005 84

£1.65

9234 0002 18

£10.43

9234 0005 84

9234 0002 18

£1.65

£10.43

Hydraulic Powerpack Spares

HYDRAULIC HOSE ASSEMBLIES



Hydraulic twin hose assemblies
1 male end, 1 female end (couplings not included)

Working Pressure 275 bar
(Pair)

Part No.	Size	Length	Price
960 183	3/8" BSP	18" Short Set	£26.48
960 386	3/8" BSP	6m Hose Set	£101.70
960 380	3/8" BSP	10m Hose Set	£81.60
960 182	1/2" BSP	18" Short Set	£27.00
960 126	1/2" BSP	6m Hose Set	£65.00
960 120	1/2" BSP	10m Hose Set	£164.20

SIAMESE HYDRAULIC HOSE

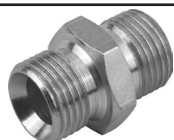


Siamese Hydraulic twin hose assemblies
1 male end, 1 female end
(couplings not included)

Working Pressure 310 bar

Part No.	Size	Length	Price
938 600	3/8" BSP	6m Hose Set	£132.20
912 600	1/2" BSP	6m Hose Set	£140.00

MALE/MALE ADAPTORS



Hydraulic male/male adaptors

Part No.	Size	Price
965 380	3/8" x 3/8" BSP	£1.48
965 350	3/8" x 1/2" BSP	£2.44
965 120	1/2" x 1/2" BSP	£1.65
965 340	3/4" x 3/4" BSP	£2.55

MALE/FEMALE ADAPTORS



Hydraulic male/female swivel adaptors

Part No.	Size	Price
300 580	1/4" x 1/4" BSP	£2.10
300 581	3/8" x 3/8" BSP	£2.17
300 582	1/2" x 1/2" BSP	£4.38
300 583	3/4" x 3/4" BSP	£3.99
300 584	1" x 1" BSP	£6.59

When Ordering BSP Fittings, Measure Across the Thread with a Ruler or Vernier. Full BSP Size Table on Pneumatic Fittings Page.



3/8" BSP will measure 16.66mm / 0.656" (19 TPI)
1/2" BSP will measure 20.99mm / 0.825" (14 TPI)
3/4" BSP will measure 26.44mm / 1.041" (14 TPI)
1" BSP will measure 33.25mm / 1.309" (11 TPI)

HYDRAULIC COUPLING SETS



Hydraulic flat faced coupling sets

1 male, 1 female per set

Part No.	Size	Price
969 380	3/8" BSP	£23.90
969 120	1/2" BSP	£25.85
969 340	3/4" BSP	£39.95
969 100	1" BSP	£82.73

HYDRAULIC COUPLING FEMALE



Hydraulic coupling
Female half only

Part No.	Size	Price
966 380	3/8" BSP	£14.82
966 120	1/2" BSP	£13.55
966 340	3/4" BSP	£23.82
966 110	1" BSP	£56.00

HYDRAULIC COUPLING MALE



Hydraulic coupling
Male half only

Part No.	Size	Price
967 380	3/8" BSP	£8.12
967 120	1/2" BSP	£6.75
967 340	3/4" BSP	£16.13
967 100	1" BSP	£32.00

HYDRAULIC SEALING WASHERS



Hydraulic sealing washers
(Dowty washers)

Part No.	Size	Price
968 380	3/8" BSP	£0.15
968 120	1/2" BSP	£0.17
968 340	3/4" BSP	£0.20
968 100	1" BSP	£0.40



HYDRAULIC OIL 5LTR

Premium grade hydraulic oil
Grade ISO VG 32, 5ltr Bottle

Part No.	Price
867 100	£23.50

JCB Beaverpack Spares

JCB BEAVER POWER PACK



JCB Beaver Hydraulic Power Pack

- Honda GX240 Engine
- Hydraulic Flow 0-20 ltrs/min
- Hydraulic Oil Capacity 5 Litres
- Max Pressure 138 bar
- Oil Cooler Protection
- 1/2" BSP Outlet



Part No.	Price
JCBBEAVER3	POA

JCB HM25 BREAKER



JCB HM25 Hydraulic Breaker







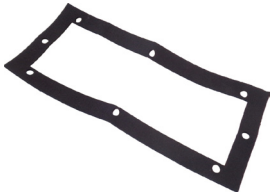




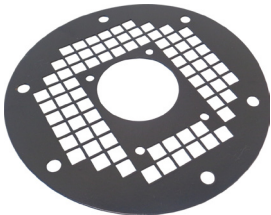



- Weight: 26kg
- Flow range 18-22 ltrs/min
- Pressure range 90-110 bar
- Blow freq. 1500 blows/min
- Vibration 4m/s²
- Sound level 108 dB Lwa



Part No.	Price
929/92400	POA

Moil Point	Narrow Chisel	Tarmac Cutter	Rammer Stem	7" Rammer Pad
912084 £19.80	912294 £21.75	912555 £39.00	912903 £59.58	912906 £154.20
Hydraulic Suction Filter 90mm x 70mm	Hydraulic Filter 73mm x 52mm	Hydraulic Filter Housing	Hydraulic Oil Cooler	Hydraulic Pump
929/12004 £38.48	PP/1775 £45.75	PP/1722 £95.10	929/12005 £50.92	929/12701 £402.50
Gasket (Each)	Gasket (Each)	High Pressure Pipe	Power On Demand Ram	Sight Glass
401/J4425 £6.30	A2/1817 £4.73	830/10617 £78.00	980/89714 £168.80	PP/6181 £61.75
Knob	Rubber Foot	Engine Coupling Sleeve - Black	Engine Coupling Sleeve - White	Hydraulic Tank Cap
929/02412 £14.93	VM21 £3.75	231/40204 £27.47	331/36817 £26.33	760 330 £9.95
Bracket	1/2" BSP Hydraulic Coupling Set	1/2" BSP 18" Short Hose Set	1/2" BSP 6M Hose Set	Hydraulic Oil 5L
929/02419 £116.60	969 120 £25.85	960 182 £27.00	960 126 £65.00	867 100 £23.50

Belle Midi 20 Spares

				
Power on Demand Piston	Oil Cooler	Power Pack Harness	Cable Adjuster	Float Switch
00921/2 £25.13	01414 £269.20	71/0301 £5.99	00921/5 £4.65	00790 £109.40
				
Stop Cable Assembly	Tank Gasket	Capillary Hose	Hydraulic Filter	Hydraulic Suction Strainer
01545 £38.83	02372 £4.64	00007 £30.83	00178 £43.80	00065 £27.86
				
Cooling Fan	Fan Guard	Drive Coupling Assembly	Sight Glass	Rubber Base Foot
01391 £281.40	02291 £45.11	01453 £117.40	01466 £14.73	00525-B £8.22



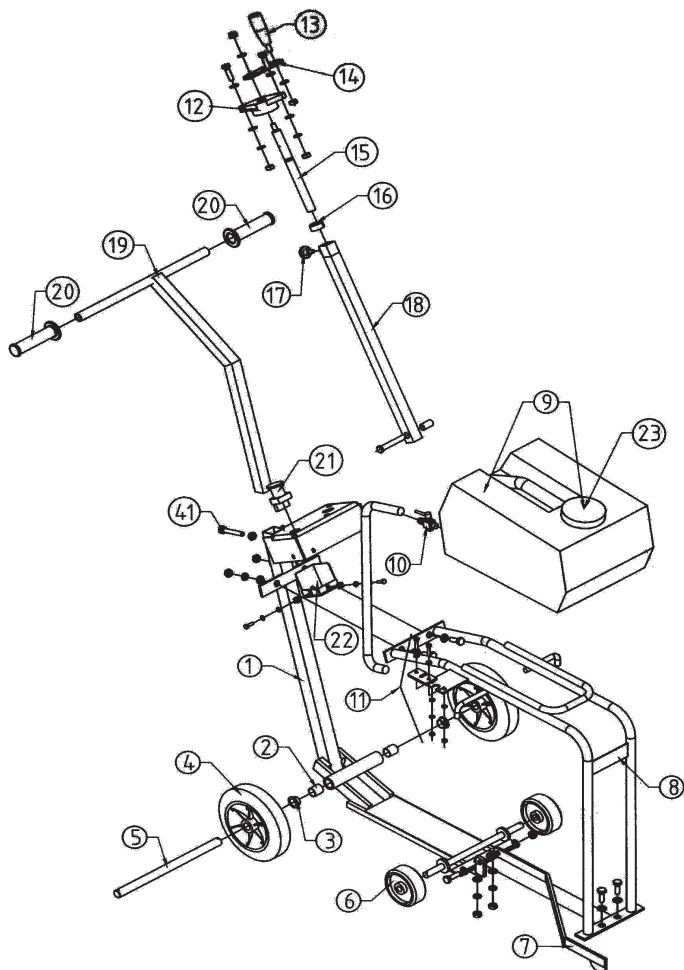
Honda GX Engines

*Please See Page F-20 for a List of
Genuine Honda GX Engines

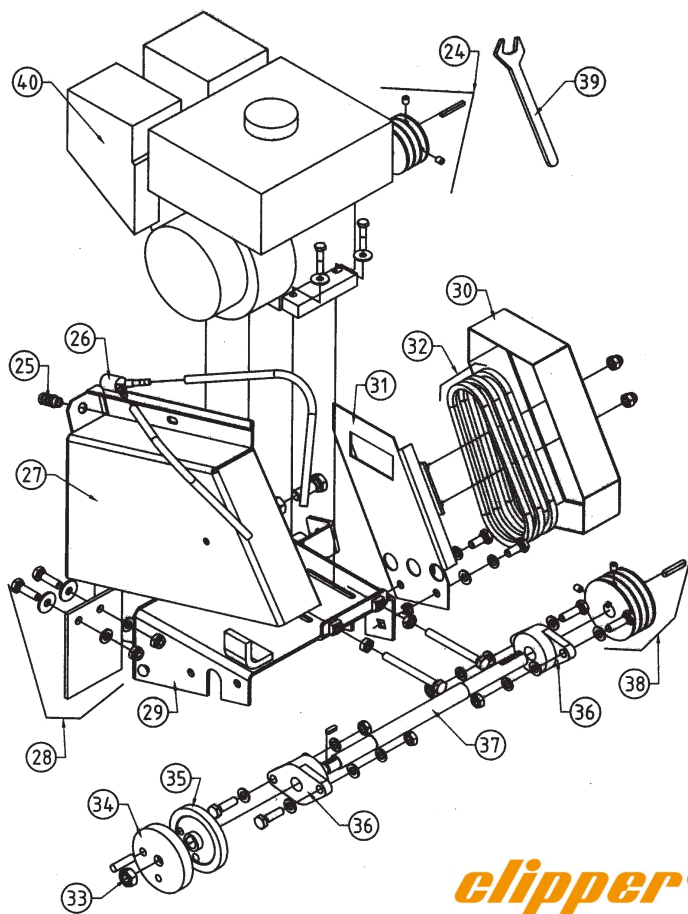
HONDA
ENGINEERS

Clipper C51 Floor Saw Spares

Part No.	Ref	Description	Price
310006067	1	Frame	£651.00
310005129	2	Rear Axle Spacer Set (x2)	£18.64
310005502	3	Rear Axle Spacer	£9.88
310005495	4	Rear Wheel	POA
310006069	5	Rear Axle	£41.84
310006082	6	Front Wheel	£35.00
310006068	7	Front Pointer	£66.56
310031774	8	Water Tank Bracket	£372.80
310006559	9	Water Tank	£98.80
990 010	10	Tap & Pipe Kit	£19.00
310006209	11	Starter Rope Fixing	£19.23
310004907	12	Bearing	£17.50
310004476	13	Depth Feed Handle	£8.50
310006071	14	Depth Feed Fixing	£63.79
310006072	15	Depth Feed Screw	£50.61
310004179	16	Set Ring	£10.26
310005602	17	Fitting Screw	£13.58
310006073	18	Depth Feed Pipe	£79.90
310007508	19	Handle	£107.00
310004190	20	Handle Grip	POA
310006078	21	Stop Button	£81.60
310006079	22	Stop Button Bracket	£69.09
310006560	23	Stopper For Water Tank	£14.82

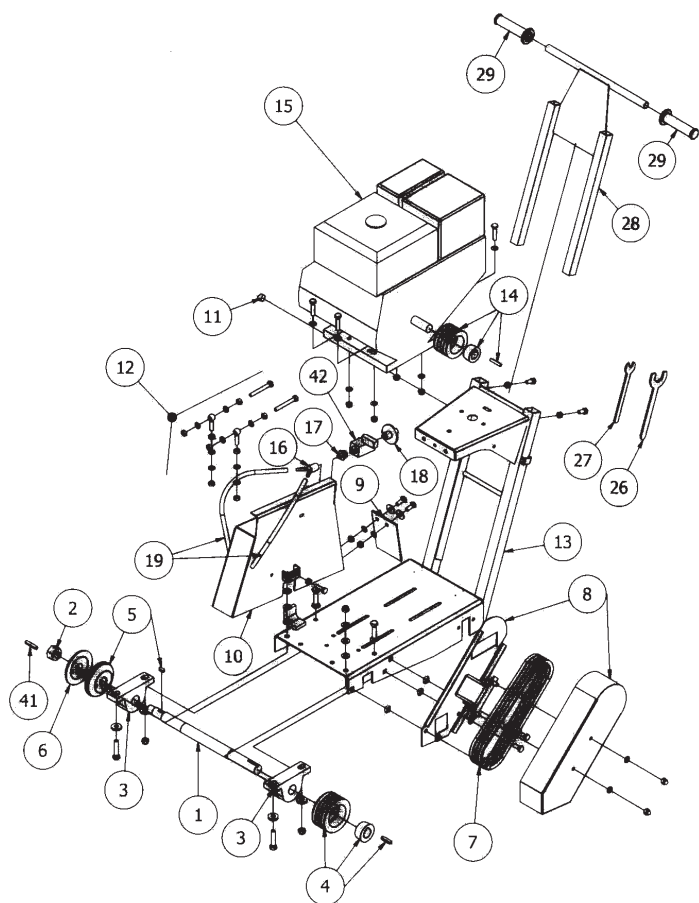


Part No.	Ref	Description	Price
310006074	24	Engine Pulley & Key	£303.60
510104923	26	Connector Kit	£42.00
310006081	27	Blade Guard 350mm	£385.50
310005586	28	Blade Guard Flap	£24.74
310006064	29	Motor Support	£420.00
310006077	30	Belt Guard	£93.10
310006075	31	Belt Guard Back Plate	£154.40
310006076	32	Belt XPZ562 (set of 3)	£28.10
310004319	33	Blade Shaft Nut	£12.35
510136514	34	Outer Collar	£103.10
310005190	35	Inner Collar	£64.25
310004907	36	Bearing & Screws	£17.50
310006066	37	Blade Shaft	£92.00
310006065	38	Blade Shaft Pulley 7 Key	£200.90
902 0045	39	22mm Spanner	£3.10
GX200 QX4 ENGINE	40	Honda GX200 (3/4" shaft)	£325.00
GX200 SX3	40	Honda GX200 (20mm shaft)	£324.00
101 710	40	Loncin G200Q (3/4" shaft)	£182.00
101 705	40	Loncin G200S (20mm shaft)	£187.80
310005830	41	Locking Screw	£11.80



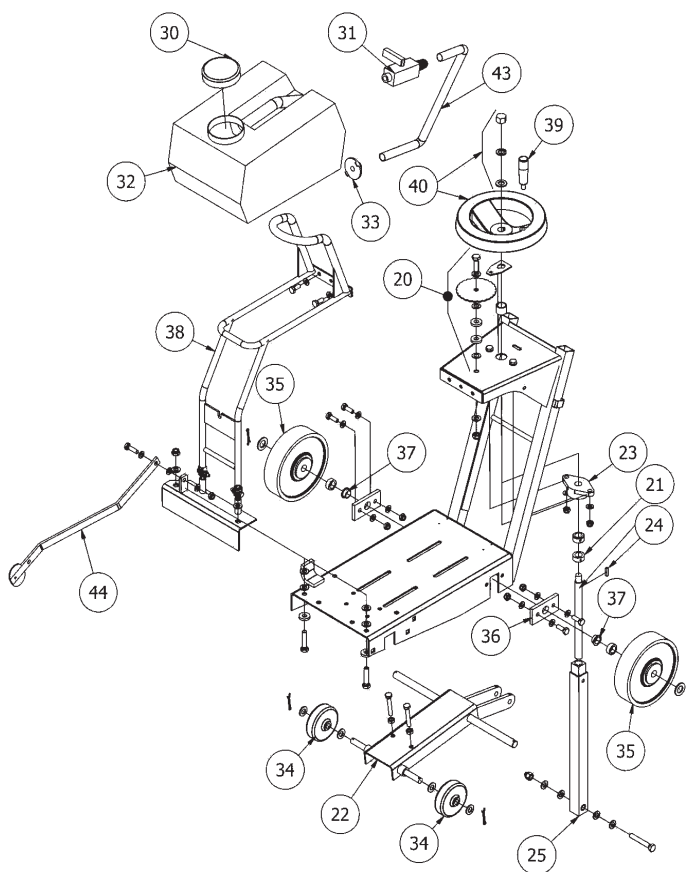
clipper®

Clipper C71 Floor Saw Spares

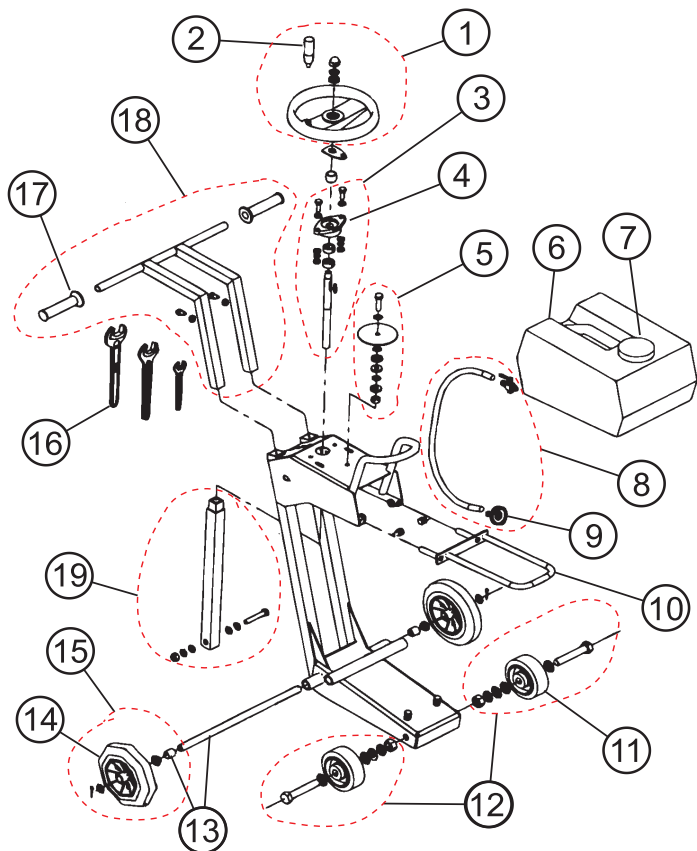


Part No.	Ref	Description	Price
310005493	1	Blade Shaft Only	£111.70
310004269	2	Blade Shaft Nut	£34.61
310004295	3	Blade Shaft Bearing	£21.00
310004835	4	Blade Shaft Pulley	£169.60
510112311	6	Blade Washer Kit (2 ,5 ,6)	£106.70
310004837	7	V-Belt Set of 4	£78.23
310005499	8	Belt Guard Assy	NLA
310005586	9	Blade Guard Flap	£24.74
310303386	10	Blade Guard Assy	NLA
310006610	11	Stop Button	£112.50
310005498	12	Belt Tensioning Screw	NLA
310006940	13	Engine Frame	NLA
310005510	14	Motor Pulley Assy (20mm)	£167.20
510104923	16	Water Supply Kit	£42.00
062 401	18	Hose Connector	£2.64
902 0051	26	Spanner 36mm	£9.00
902 0042	27	Spanner 17mm	£2.75
310004190	29	Handle Grip	£8.35
310004235	41	Dowel Pin	£1.45
310004426	42	Water Supply Tap	£10.40

Part No.	Ref	Description	Price
510112305	20	Depth Gauge Kit	£86.50
310006936	22	Rocker Frame	NLA
310004907	23	Bearing	£17.50
510112304	24	Raise/Lower Kit (21, 23, 24, 25)	£229.80
310006560	30	Tank Cap	£14.82
990 010	31	Tap & Pipe Kit (31, 33, 43)	£19.00
310006559	32	Water Tank Assy	£98.80
310003978	33	Hose Coupling	£2.78
310005496	34	Front Wheel Assy	£41.74
310005495	35	Rear Wheel Only	£33.00
510101399	35	Rear Wheel Kit (set of 2)	£67.50
310005501	36	Rear Axle Plate	NLA
310006939	38	Water Tank Bracket	NLA
310004476	39	Handwheel Handle	£8.50
510101420	40	Handwheel Kit	£82.73
GX390 QX	15	Honda GX390QC Engine	£629.00
101 711	15	Loncin G390 Engine	POA

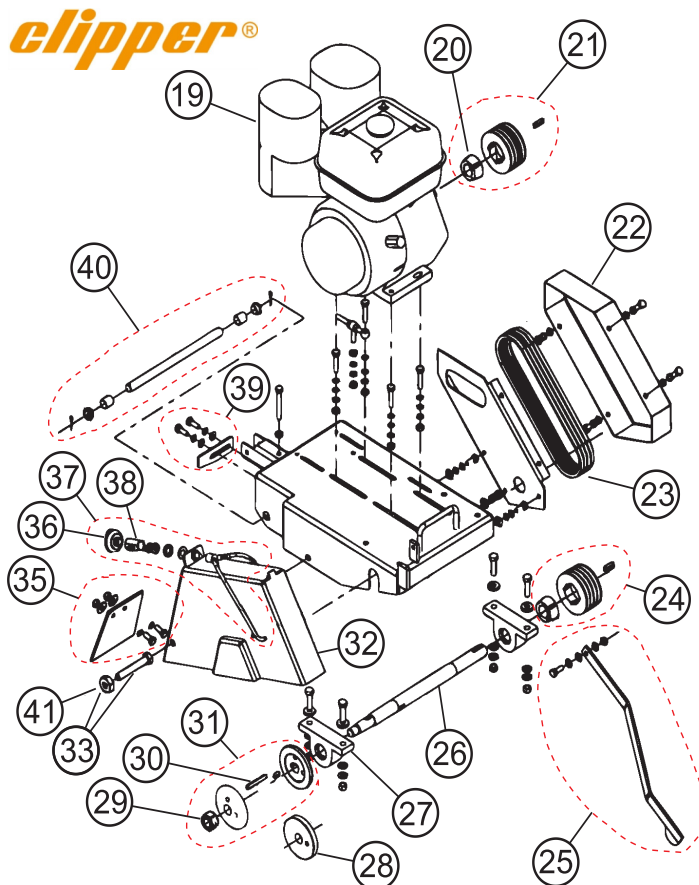


Clipper C99 Floor Saw Spares

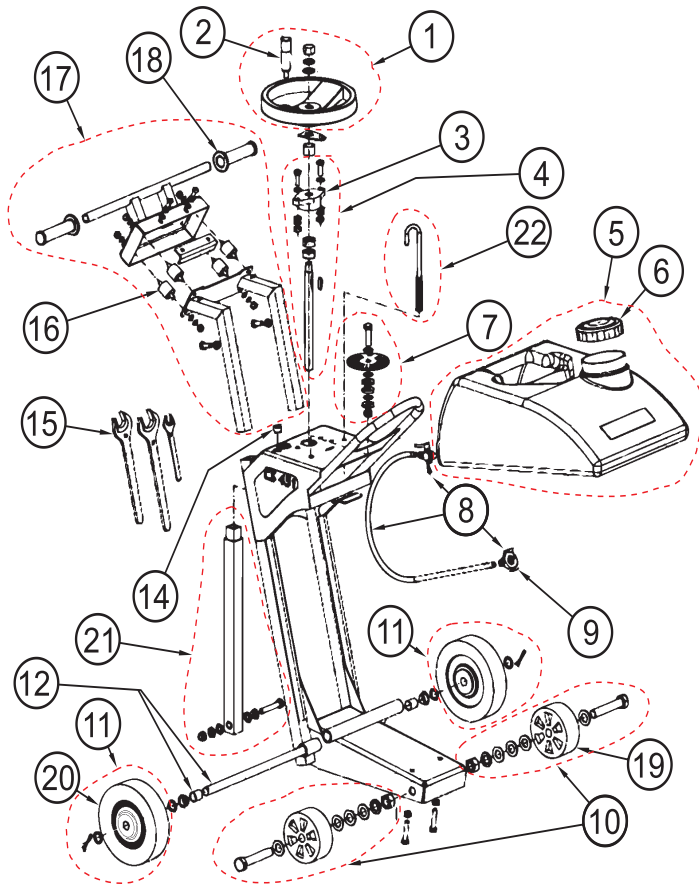


Part No.	Ref	Description	Price
510101420	1	Handwheel Kit	£82.73
310004476	2	Handle for Handwheel	£8.50
510101473	3	Raise/Lower Kit	£65.44
310004907	4	Bearing	£17.50
310006556	5	Depth Indicator Kit	£63.87
310006559	6	Water Tank (incl cap)	£98.80
310006560	7	Water Tank Cap	£14.82
990 010	8	Water Kit	£19.00
310003978	9	Brass Connector	£2.78
310006558	10	Water Tank Support	NLA
990 011	11	Front Wheel Only	£45.00
510101401	12	Front Wheel Kit (set of 2)	£124.90
510112307	13	Rear Axle Kit	£110.00
310005495	14	Rear Wheel Only	£33.00
510101399	15	Rear Wheel Kit (set of 2)	£67.50
902 0051	16	Spanner 36mm	£9.00
902 0049	16	Spanner 30mm	£5.30
902 0042	16	Spanner 17mm	£2.75
310004190	17	Handle Grip	£8.35
310353379	18	Handle Kit	£524.00
310006553	19	Screw Feed Spindle Assy	£125.30

Part No.	Ref	Description	Price
GX390 QX	19	GX390 Engine 1" Shaft	£629.00
101 711	19	Loncin G390 Engine 1"	£333.00
89898	20	Taper Lock Only (25mm)	£15.00
89895	20	Taper Lock Only (1")	£15.80
310005510	21	Pulley & Taper Lock (25mm)	£167.20
310005511	21	Pulley & Taper Lock (1")	NLA
310006575	22	Belt Guard Assy (Honda)	NLA
310006573	23	Set of 4 Belts (Honda)	£32.50
310004835	24	Blade Shaft Pulley	£169.60
310006068	25	Guide A Cut	£66.56
310006564	26	Blade Shaft Only	£196.60
310004295	27	Blade Shaft Bearing	£21.00
310006563	28	Spacer (for 2 blades)	£86.90
310004269	29	Blade Shaft Nut	£34.61
310004235	30	Blade Dowel Pin	£1.45
510112311	31	Blade Washer Kit	£106.70
310006565	32	Blade Guard Assy (400mm)	£416.00
510101475	33	Blade Guard Pivot Kit	£32.53
310006566	35	Splash Guard	£32.18
062 401	36	Brass Connector	£2.64
510104923	37	Water Supply Kit	£42.00
310004426	38	Water Supply Tap	£10.40
310006570	39	Parking Brake Kit	£16.32
510109503	40	Frame Axle Kit	£53.99
310004181	41	Blade Guard Pivot Nut	£32.17

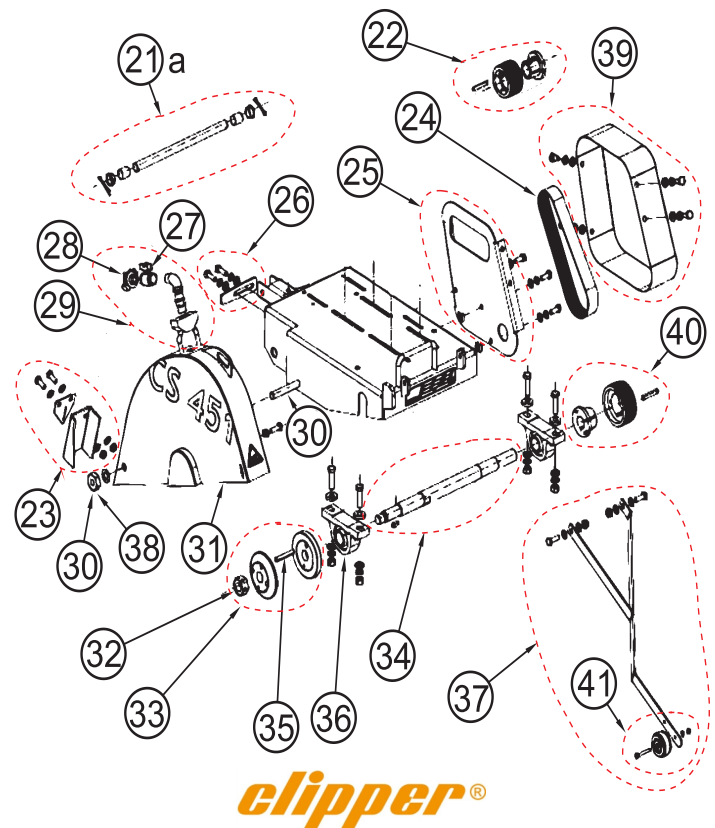


Clipper CS451 Floor Saw Spares



Part No.	Ref	Description	Price
510101420	1	Handwheel Kit	£82.73
310004476	2	Handle for Handwheel	£8.50
310004907	3	Bearing	£17.50
510101473	4	Raise/Lower Kit	£65.44
310562843	5	Water Tank Kit	£139.70
310006560	6	Water Tank Cap	£14.82
310006556	7	Depth Indicator Kit (up to s/n 131015240)	£63.87
510126327	-	Depth Indicator Kit (after s/n 131015240)	£78.02
990 010	8	Water Kit	£19.00
310003978	9	Brass Connector	£2.78
510101401	10	Front Wheel Kit (set of 2)	£124.90
510101399	11	Rear Wheel Kit (set of 2)	£67.50
510112307	12	Rear Axle Kit (up to s/n 131015240)	£110.00
510112308	12	Rear Axle Kit (after s/n 131015240)	£151.80
310006610	14	Stop Switch (Honda)	£112.50
902 0051	15	Spanner 36mm	£9.00
902 0049	15	Spanner 30mm	£5.30
902 0042	15	Spanner 17mm	£2.75
310353381	16	Handle Mounts (set of 4)	£6.80
310353379	17	Handle Kit	£524.00
310004190	18	Handle Grip	£8.35
990 011	19	Front Wheel Only	£45.00
310005495	20	Rear Wheel Only	£33.00
310006553	21	Screw Feed Spindle Assy	£125.30
310327609	22	Handwheel Hook & Spring (up to s/n 131015240)	£11.52
510126328	-	Handwheel Lock (after s/n 131015240)	£23.25

Part No.	Ref	Description	Price
510109503	21a	Frame Axle Kit (after s/n 131015240)	£53.99
510126331	22	Engine Pulley (Honda)	£76.32
310006566	23	Splash Guard	£32.18
698K10	24	Belt (Non-Genuine)	£29.50
310562837	25	Inner Belt Guard Kit	£85.80
310353508	26	Parking Brake Kit	£20.08
310004426	27	Water Supply Tap	£10.40
062 401	28	Brass Connector	£2.64
310562842	29	Water System Kit	£96.70
510101475	30	Blade Guard Pivot Kit	£32.53
310562841	31	Blade Guard Assy	£137.20
310004269	32	Blade Shaft Nut	£34.61
510112311	33	Blade Washer Kit	£106.70
310562839	34	Blade Shaft Kit	£233.00
310004235	35	Blade Dowel Pin	£1.45
310004295	36	Blade Shaft Bearing (each)	£21.00
310353451	37	Cutting Guide (up to s/n 131015240)	£104.10
510112310	-	Cutting Guide (after s/n 131015240)	£96.00
310004181	38	Blade Guard Pivot Nut	£32.17
510126336	39	Outer Belt Guard Kit	£124.20
510126332	40	Blade Shaft Pulley	£151.40
510126339	41	Cutting Guide Wheel Kit	£12.95



clipper®

Clipper CM501 (Major) Masonry Bench Saw Spares

				
Water Pump - Black	Water Pump - Blue	Water Pump Pulley	Water Hose Kit	Drive Belt & Pulley Kit (Honda)
310325955 POA	310004023 POA	310004954 POA	510112617 POA	510112626 POA
				
Drive Belt Only (Honda)	Honda GX200 Engine	Emergency Stop Button	Guide-a-Cut	Conveyor Cart Complete
310004440 £13.70	GX200 RX4 POA	065 701 £57.95	310005685 POA	310005686 POA
				
Cart Sheaves - Set of 4	Splash Curtain	Drain Bung	Handle Grip	Foot Lever Spring
310004676 POA	310011966 POA	310004776 POA	310004190 POA	310004289 POA
				
Blade Washer	Blade Bearing Kit	Rubber Stop	Clipper Classic Beton 350mm (14") Blade	Clipper Classic Beton 400mm (16") Blade
510112625 POA	510103396 POA	VM9 £2.40	70184626872 POA	70184626873 POA

CLIPPER CS1 SPARES

Part No.	Description	Price
310004260	Front Wheel	£126.50
310461921	Rear Wheel Set	£370.90
310004210	Inner Blade Washer	£135.40
310004235	Blade Dowel Pin	£1.45
310004176	Outer Blade Washer	£117.60
SPZ825	V-Belt	£4.40
902 0051	Spanner 36mm	£9.00

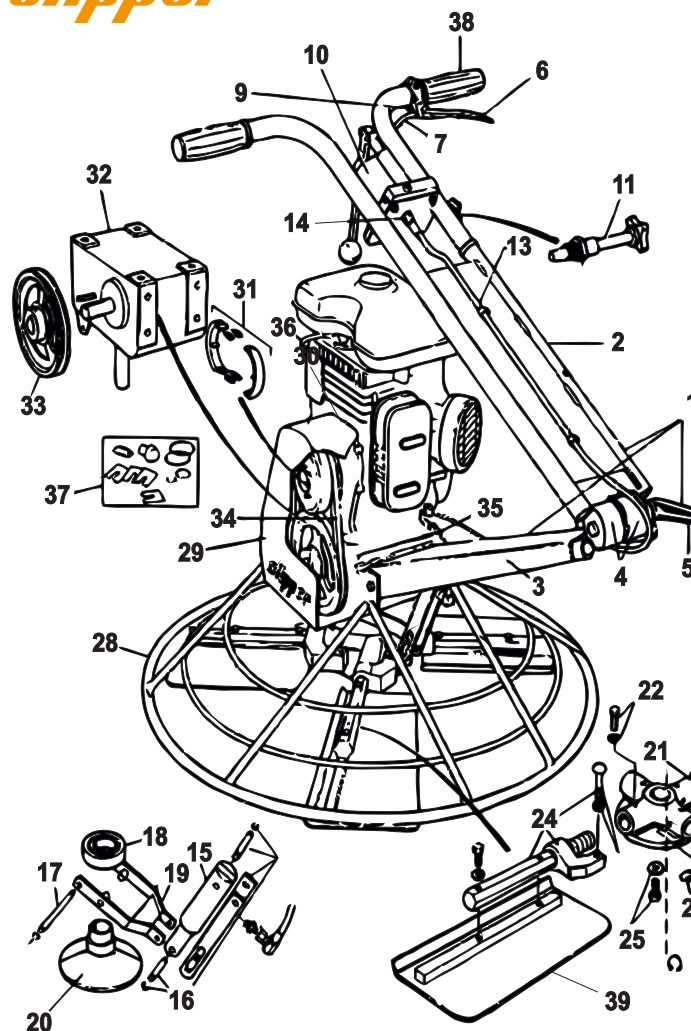
CLIPPER C94 SPARES

Part No.	Description	Price
310005493	Blade Shaft	£111.70
510112311	Blade Washer Kit	£106.70
310004235	Dowel Pin	£1.45
310004269	Blade Shaft Nut	£34.61
310005495	Rear Wheel Only	£33.00
310005496	Front Wheel	£41.74
SPZX800	V-Belt	£7.25
902 0042	Spanner 17mm	£2.75
902 0051	Spanner 36mm	£9.00

Concrete Float Spares

CLIPPER MTA36 SPARES

clipper[®]



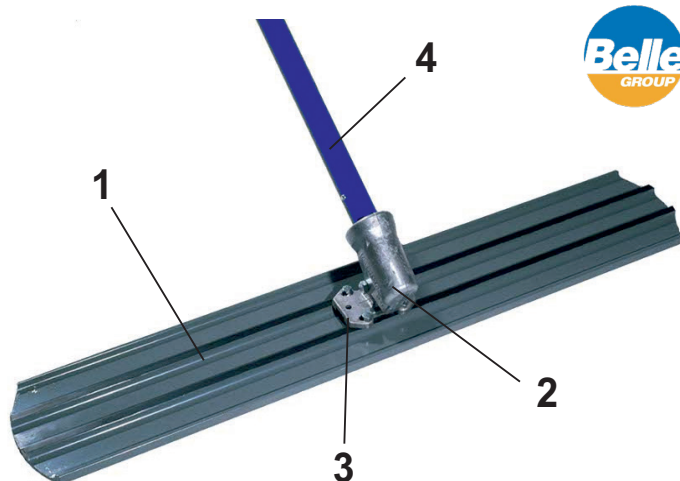
Part No.	Ref	Description	Price
310004667	1	Handle Complete	£390.70
310004985	2	Upper Handle	£320.00
310004984	3	Handle Lower	£244.40
310003986	4	Handle Joint (to weld)	NLA
310004733	5	Handle Locking Bolt Assy	£66.56
310002089	6	Deadman Handle	£125.30
310004748	7	Throttle Cable	£39.95
310004029	9	Switch	£24.74
310004635	10	Hydraulic Pump	£358.50
310004698	11	Relief Valve	£222.40
310004718	13	Hydraulic Hose	£82.55
310004691	15	Hydraulic Jack	£125.30
310004726	16	Pin & Snap Rings	£30.72
310004402	17	Circlip	£10.66
310004156	18	Thrust Bearing	£162.20
310004637	19	Thrust Fork	£66.99
310004202	20	Support Collar	£269.10
310004636	21	Spider	£293.30
310004715	22	Securing Screws (set of 4)	£18.64
310004737	23	Adjusting Bolt M10 x 35	£47.00
310004630	24	Cam & Arm Assembly	£131.70
310002137	25	Bolt & Washer for Spider	£81.80
310004166	26	Grease Nipple	£10.66
310004744	28	Guard Ring	£392.90
310004375	29	Belt Guard	£132.10
310004272	30	Pulley (MTA36/36A Honda)	£381.00
310004352	31	Clutch Shoe Assy (set of 2)	£74.56
310004370	32	Reduction Gearbox	£1,342.00
310004275	33	Gearbox Pulley	£89.50
310004367	34	V-Belt (XPA750)	£14.61
310004668	35	Engine Support	£9.36
GX160 QX3	36	GX160 Engine	£291.00
310004692	37	Maintenance Kit	£68.19
310004193	38	Handle Grip	£18.64
730 001	39	Blade Set (4 blades)	£52.00

BELLE BULL FLOAT

The Bull Float includes a lightweight magnesium alloy blade. It has rounded corners to prevent track marks. The robust, heavy design makes it ideal for site conditions and hire fleets.

Part No. 50901 Price £432.00

Part No.	Fig.	Description	Price
50021	1	Bull Float Blade	£169.90
50000	2	Knuckle Head	£182.70
02.4.037	3	Setscrew	£0.64
50010	4	Single Handle	£50.82
50011	-	Set of 3 Handles	£141.80
50012	-	Handle Clip	£6.87
50013	-	Male Connector	£23.05



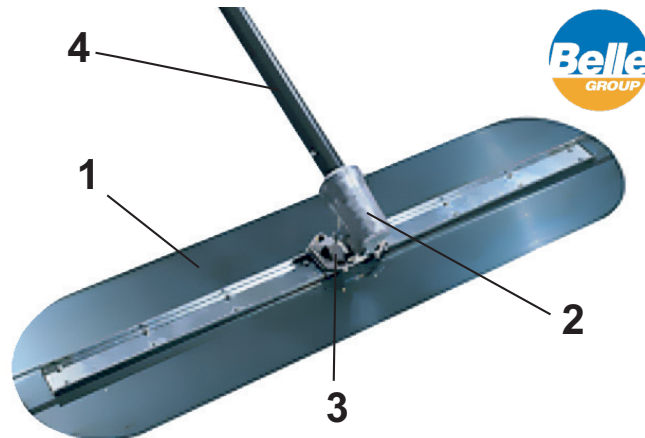
Concrete Float Spares

BELLE BIG BLUE HAND FLOAT

The Big Blue includes a tempered steel blade that achieves an ultra fine finish. Extra rounded corners prevent track marks and the sprung steel blade glides over concrete even when still reasonably wet.

Part No. 50903 Price £460.50

Part No.	Fig.	Description	Price
50031	1	Big Blue Blade	£284.10
50000	2	Knuckle Head	£182.70
02.4.037	3	Nut	£0.64
50010	4	Single Handle	£50.82
50011	-	Set of 3 Handles	£141.80
50012	-	Handle Clip	£6.87
50013	-	Male Connector	£23.05



POWER FLOAT BLADE SETS

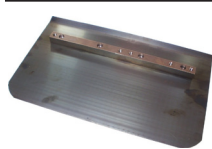


Fig.1



Fig.2

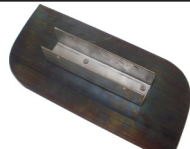


Fig.3



Fig.4



Fig.5



Fig.6

Part No.	Fig.	Description	Dimensions	Hole Centres	Type	Blades	Price
730 001	1	Fits 36" Clipper MTA36	330 x 200mm	127mm	Comb	4	£51.67
730 002	2	Fits 36" Clipper MTA36	330 x 150mm	127mm	Finish	4	£54.77
730 003	1	MBW, Benford, Alen, Whiteman, Errut, Belle 36"	330 x 200mm	120mm	Comb	4	£46.75
730 004	2	MBW, Benford, Alen, Whiteman, Errut, Belle 36"	330 x 150mm	120mm	Finish	4	£46.67
730 005	1	Metrix 900 36" Power Floats	330 x 200mm	108mm	Comb	4	£58.30
730 006	2	Metrix 900 36" Power Floats	300 x 150mm	108mm	Finish	4	£58.30
730 007	1	Metrix 700 28" Power Floats	330 x 200mm	108mm	Comb	4	£67.13
730 008	2	Metrix 700 28" Power Floats	300 x 150mm	108mm	Finish	4	£42.95
730 009	3	Dynapac Power Floats	200 x 100mm	R-Clip (S14)	-	4	£49.47
730 010	3	Benford Power Floats	350 x 150mm	R-Clip (S14)	-	4	£53.00
730 011	4	24" Power Floats - 4 Blades	230 x 130mm	100mm	-	4	£30.67
730 012	4	24" Power Floats - 6 Blades	230 x 130mm	100mm	-	6	£46.00
730 013	5	Belle 24" Power Floats - 4 Blades	200 x 100mm	100mm	-	4	£30.47
730 014	5	Belle 24" Power Floats - 6 Blades	200 x 100mm	100mm	-	6	£45.70
730 015	1	MBW 46" Power Floats	440 x 200mm	60/90mm	Comb	4	£61.83
730 016	2	MBW 46" Power Floats	440 x 150mm	60/90mm	Finish	4	£50.35
730 017	6	Errut 36" - Wing Nut Type	330 x 200mm	Wing Nut	Comb	4	£61.83
730 018	6	Errut 36" - Wing Nut Type	330 x 150mm	Wing Nut	Finish	4	£35.00
730 019	4	Whiteman 24" & Dynapac BG20	230 x 130mm	105mm	Comb	4	£40.00

POWER FLOAT PANS



Part No.	Description	Price
785 024	24" Power Float Pan (4 slots)	£70.67
785 030	30" Power Float Pan (4 slots)	£107.70
785 036	36" Power Float Pan (4 slots)	£89.00
785 046	46" Power Float Pan (8 slots)	NLA

Vibrating Poker Spares

Replacement parts suitable for Dynapac, GEM, Fairport, Warsaw, Wacker, Fyne, Metrix & other brands of poker

POKER DRIVE UNITS



Petrol engined drive units for mechanical pokers

c/w frame and PTO assembly

Part No.	Engine	Price
101 001	Honda GX120	£509.00
101 102	Loncin G120	£331.10

MECHANICAL POKERS



Mechanical poker units c/w 60mm drive coupling

Part No.	Size	Price
101 120	25mm	£294.70
101 121	40mm	£311.90
101 122	45mm	£335.00
101 123	50mm	£335.00
101 124	60mm	£374.00
101 125	75mm	£401.50

AIR POWERED POKERS



Air powered poker units c/w claw type coupling

Part No.	Size	Price
101 130	25mm	£316.40
101 131	35mm	£309.00
101 132	45mm	£311.90
101 133	55mm	£318.90
101 134	65mm	£331.10
101 135	75mm	£419.00

PTO DRIVE DOG & KEY



PTO drive dog c/w key

60mm o/d

Part No.	Price
101 007	£45.85

PTO ASSEMBLY



PTO assembly c/w dog & plunger

60mm bore

Part No.	Price
101 005	£88.10

PTO HOUSING & PLUNGER



PTO housing c/w plunger

60mm bore

Part No.	Price
101 006	£75.88

DRIVE COUPLING - GCM



Drive coupling - GCM type

(Male fitting)

Part No.	Price
101 110	£79.50

DRIVE COUPLING - WINGET



Drive coupling - Winget type

(female fitting)

Part No.	Price
101 115	£68.16

PLUNGER ONLY 20MM



Plunger only
Size: 20mm

Part No.	Price
101 008	£40.77

PLUNGER ONLY - WARSOP



Plunger only - Warsop type
Size: 16mm

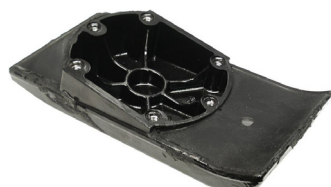
Part No.	Price
101 136	£44.08

Trench Rammer Spares



Plastic Ramming Shoes for Wacker BS50-2 BS500

Part No.	Size	Description	Price
0162867	8"	Genuine Wacker (includes Bolt Kit)	NLA
5100042452	11"	Genuine Wacker (includes Bolt Kit)	£260.40
610 691	-	Non Genuine Bolt Kit (6 Hole)	£7.00



Cast Iron Ramming Shoes for Wacker BS50-2 BS500

Part No.	Size	Description	Price
0112369	6"	Genuine Wacker (includes Bolt Kit)	£255.00



Plastic Ramming Shoes for Wacker BS60-2, BS70-2, BS600, BS65, DS70

Part No.	Size	Description	Price
803 380	8.1/2"	Non Genuine (4 Bolt Holes)	NLA
803 390	10.1/2"	Non Genuine (4 Bolt Holes)	NLA
5100042451	11"	Genuine Wacker (includes Bolt Kit - 6 Bolt Holes)	£265.20
5100042454	13"	Genuine Wacker (includes Bolt Kit - 6 Bolt Holes)	£247.70
803 385	-	Non Genuine Bolt Kit (4 Hole)	£7.90



Cast Iron Ramming Shoes for Wacker BS60-2, BS70-2, BS600, BS65

Part No.	Size	Description	Price
803 675	11"	Non Genuine	£152.70
0112299	11"	Genuine Wacker (includes Bolt Kit)	NLA



Wacker BS45Y, BS52Y Ramming Shoes

Part No.	Size	Description	Price
803 456	6"	Non Genuine	£159.90
0089110	6"	Genuine Wacker (includes Bolt Kit)	NLA
803 458	8"	Non Genuine	£121.40
0072984	8"	Genuine Wacker (includes Bolt Kit)	£215.60
0072711	10"	Genuine Wacker (includes Bolt Kit)	£224.70
803 405	-	Non Genuine Bolt Kit (6 Hole)	£6.90



Wacker BS60Y Ramming Shoes

Part No.	Size	Description	Price
803 608	8.1/2"	BS60Y (Non Genuine)	£86.95
803 610	10.1/2"	BS60Y (Non Genuine)	NLA
0202200	11"	BS60Y (Genuine) incl. Bolt Kit	£219.00
803 605	-	Non Genuine Bolt Kit (4 Hole)	£7.20



Bomag BT60/4 Ramming Shoe

Part No.	Size	Description	Price
54002090	11"	BOMAG BT60/4 (includes bolt set)	£222.30

Trench Rammer Spares



Part No.	Bellows I/D	Height	Application	Price
803 454	101mm / 101mm	174mm	Wacker BS45Y BS52Y (Non Gen)	£76.17
0028261	101mm / 101mm	174mm	Wacker BS45Y BS52Y (Genuine)	£152.60
610 629	125mm / 135mm	212mm	Wacker BS50-2 BS500 (Non Gen)	NLA
0177355	125mm / 135mm	212mm	Wacker BS50-2 BS500 (Genuine)	£111.10
610 643	171mm / 171mm	233mm	Wacker BS60-2 BS600 (Non Gen)	£93.30
0177356	171mm / 171mm	233mm	Wacker BS60-2 BS600 (Genuine)	£166.60
54210129	120mm / 120mm	230mm	Bomag BT60/4	£224.10
980/99913	141mm / 141mm	214mm	Belle RXT50 RXT60 (Genuine)	£152.10



Part No.	Size	Application	Price
2005959	115mm	BS45Y BS52Y Top/Bottom Bellows Clamp	NLA
0110528	135mm	BS50-2 Bottom Clamp BT60/4 Top & Bottom Clamp	£10.42
0110537	145mm	BS50-2 Top Clamp	£10.67
2006976	180mm	BS60-2 BS600 Top/Bottom Bellows Clamp	£11.05

Air Filter BS50-2 BS60-2	Pre Filter BS50-2 BS60-2	Air Filter BS500 BS600	Air Filter BS45Y BS52Y BS65Y	Chrome Air Filter BS45Y BS52Y BS60Y
0157193 £6.75	0160459 £1.80	0114792 £15.15	0014819 £20.32	LA1554 £48.00
Cylinder & Piston WM80 Engine	Piston Assy WM80 Engine	Piston Ring Set WM80 Engine	Small End Bearing WM80 Engine	Champion Spark Plug RL95YC
610 605 £56.00	610 606 £8.00	610 607 £4.00	610 647 £3.52	RL95YC £2.95
Head Gasket WM80 Engine	Gasket Set WM80 Engine	Gasket Set WM80 Engine (Non-Gen)	Crank Assy WM80 Engine	Main Bearing WM80 Engine
0045910 £2.00	0178827 £57.44	610 613 £9.46	610 633 £91.40	610 638 £6.85




**WACKER
NEUSON**
APPROVED DEALER

Wacker Neuson Spares

Please contact us for genuine spares
for your Wacker machine



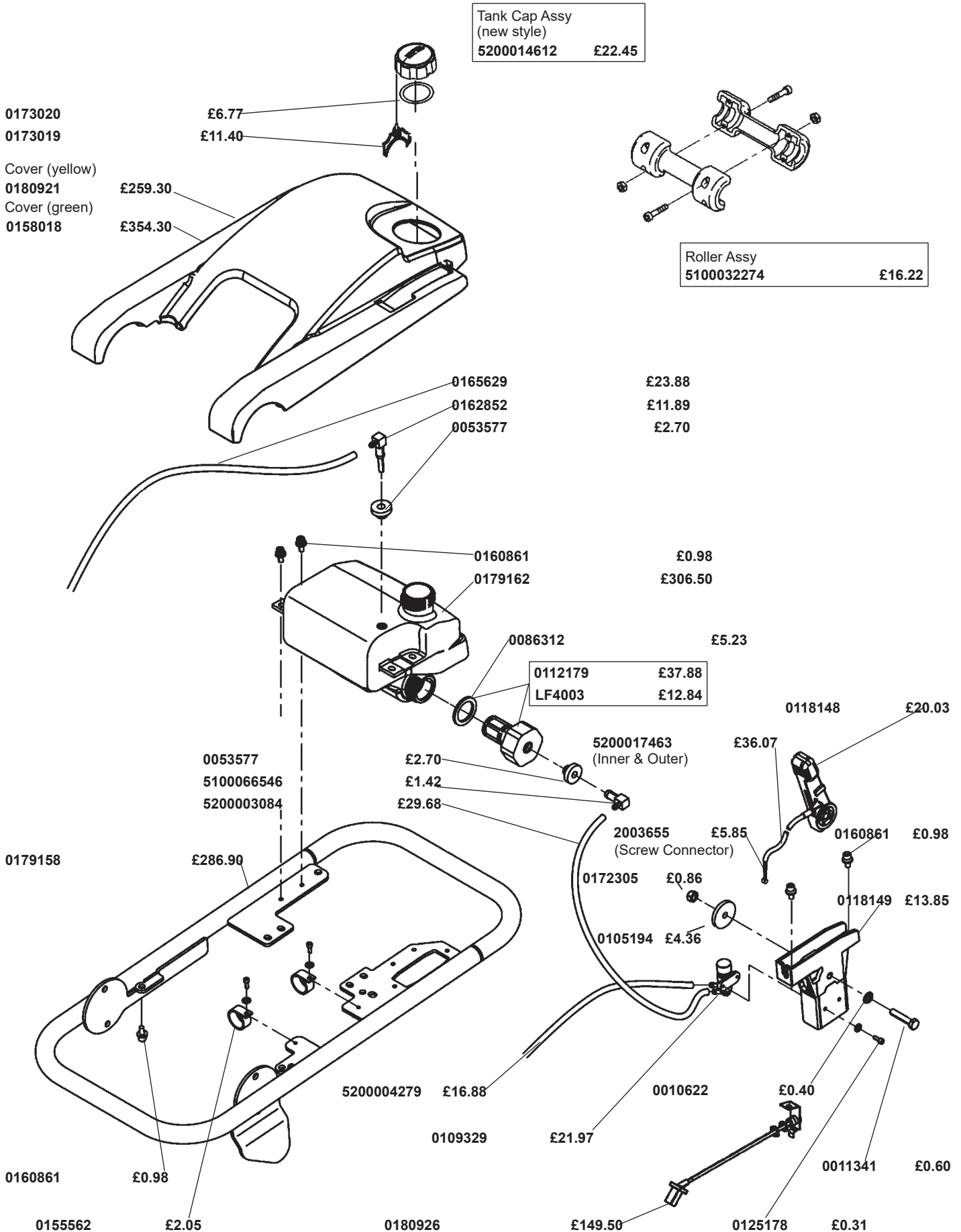
Trench Rammer Spares

				
Clutch BS50-2 BS60-2 BS600	Clutch BS45Y BS52Y BS60Y	Clutch BH22/23/24 & BS65Y	Tillotson Carb BS52Y	Tillotson Carb BS500 BS600
610 636 £34.00	610 616 £37.20	610 620 £34.58	610 628 £92.01	610 610 £81.78
				
Tillotson Diaphragm Kit BS52Y BS60Y BS600	Tillotson Repair Kit BS52Y BS60Y BS600	Tillotson Carb BS60-Y	Tillotson Carb BS60-2	Tillotson Diaphragm Kit BS50-2 BS60-2
DG-5-HS/T £8.50	610 640 £12.10	610 609 £73.81	610 617 £96.10	610 649 £9.40
				
Tillotson Repair Kit BS50-2 BS60-2	Walbro Carb BS50-2 (no auto choke)	Walbro Carb BS50-2 (auto choke)	Walbro Repair Kit BS50-2 BS60-2	Bing 33 Diaphragm Kit BS45Y BS52Y BS60Y
610 650 £12.32	0175331 £202.60	0183841 £156.00	0171010 £31.56	610 692 £30.80
				
Recoil Assy WM80 Engine	Fuel Tank BS500 BS600	Tank Cap, Screw On BS45Y BS52Y BS600	50mm Tank Cap Push/Twist - BS52Y	Genuine Tank Cap BS50-2 BS60-2
610 624 £24.00	610 611 £34.30	610 612 NLA	801 050 £10.17	5200014612 £22.45
				
Genuine Filter Indicator BS50-2 BS60-2	Tillotson Carb Adapter BS50-2 BS60-2 BS600	Carb Manifold BS45Y BS52Y	Carb Gasket fits BS50-2, BS60-2, BS600	Chrome Filter Manifold BS45Y BS52
0157254 £43.64	610 627 £29.78	610 619 NLA	0083445 £1.73	610 639 £11.90
				
Fuel Tank Filter	Fuel Tank Grommet	90° Fuel Tank Connector 1/4" Tail	Straight Connector 1/4" Tail	Straight Fuel Tap 1/4" Tails
LF4003 £12.84	0053577 £2.70	780 155 £3.98	780 157 £3.27	780 150 £2.50

Trench Rammer Spares

 Please see Page J-32 for more Fuel Hose Sizes				
1/4" Vinylon Fuel Hose 1 Metre Length	Fuel Valve BS500 BS60-2 BS70-2	Air Duct BS500 BS600	Damper BS500 BS600	Handle Shockmount BS500 BS600
124 0017 £2.65	0109329 £21.97	0114769 £30.67	0116744 £10.88	610 630 £35.29
				
Handle Shockmount BS50-2 BS60-2	Spring Set BS50-2	Spring Set BS60-2 BS600	Impact Bushing BS60-2 BS600	Impact Bushing BS60-2 BS600
0156979 £45.57	5100062501 £31.42	0113843 £64.06	0034442 £10.30	5100032119 £21.65
				
Throttle Lever BS50-2 BS60-2 BS600	Throttle Lever Bracket BS50-2 BS60-2 BS600	Throttle Lever for Wacker BS60-2	Inner & Outer Throttle Cable BS50-2	Throttle Cable Outer BS50-2
0118148 £20.03	0118149 £13.85	0117863 £38.65	5200017463 £36.07	0165627 £9.25
				
Throttle Cable BS500 BS600	Throttle Cable 22" BS45Y BS52Y BS60Y	N/G Ignition Module WM80 Engine	Ignition Module Oil Injection Engines	Exhaust BS52Y BS600 & early BS50-2
610 637 £8.14	LSE12 £9.44	610 622 £23.40	0188216 £193.10	0114770 £242.30
				
Air Filter Bomag BT60/4	Prefilter Bomag BT60/4	Air Filter Bomag BT60/4	Fuel Filter Bomag BT60/4	Recoil Assembly Bomag BT60/4
17211 ZL8 023 £8.50	17218 ZOD 000 £4.12	LA1515 £7.20	LF100 £2.85	710 170 £13.50
				
Genuine Walbro Carb Bomag BT60/4	Non Genuine Carb Bomag BT60/4	Carb Repair Kit Bomag BT60/4	Bellows Bomag BT60/4	Ramming Shoe Bomag BT60/4
16100 ZOD V76 £150.60	710 166 £25.90	710 155 £13.07	54210129 £224.10	54002090 £222.30

Wacker BS50-2 Guide Handle

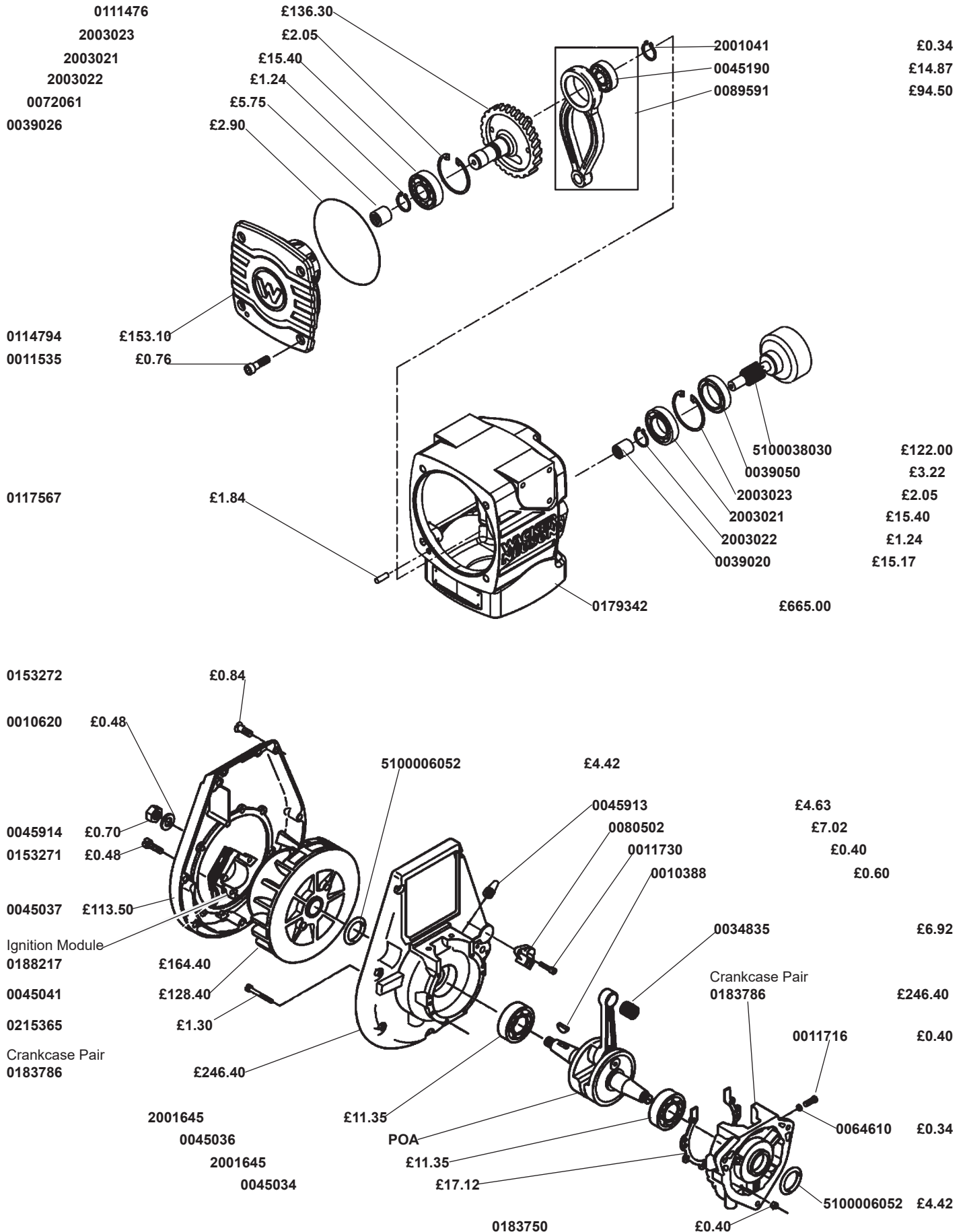


H - Light Plant Spares

Wacker BS50-2 Air Cleaner & Recoil Starter

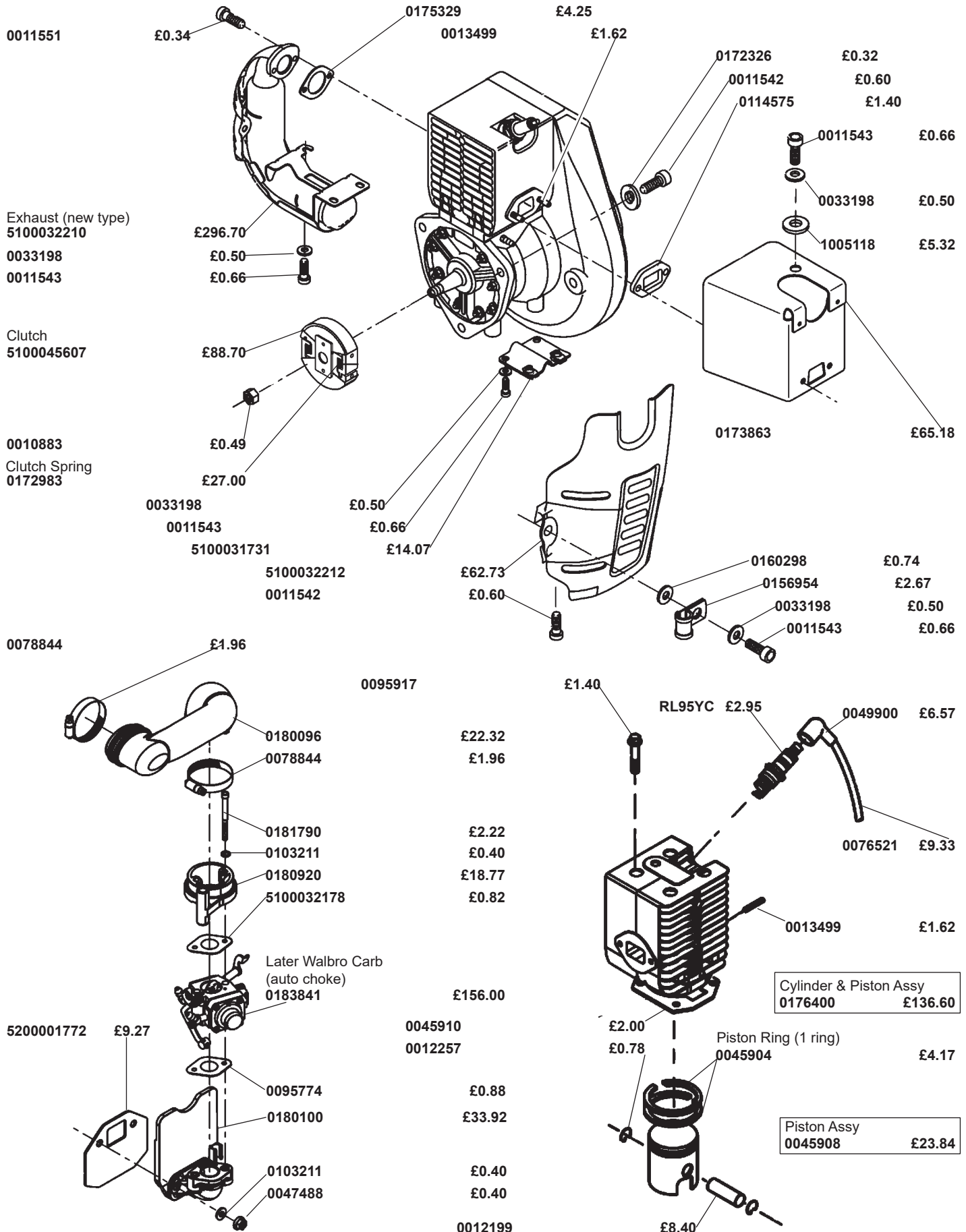
0157193	£6.75	0164398	£8.00
0160459	£1.80	0164399	£36.40
0164402	£32.12	Air Filter Assembly 5200003989	£57.48
0012361	£0.49	0157254	£43.64
0156979	£45.57	5100057480	£30.95
0165043	£1.48	0156394	£8.48
0011457	£0.60	0010367	£0.30
0162274 (pair)	NLA	0012361	£0.49
0156982	£4.22	0011541	£0.50
5100032029	£1.42	0011457	£0.60
		0156979	£45.57
		0165043	£1.48
		0162274 (pair)	NLA
		0048063	£98.60
		0065068	£1.91
		0048061	£10.90
		0048060	£7.42
		0048062	£0.94
		0048059	£2.53
		0047998	£3.23
		0047997	£3.05
		0058381	£0.32
		0058553	£0.60
		Recoil Bolt 0153273	£0.60
		0104548	£3.40
		0044233	£16.72
		Recoil Assembly 0046098	£131.10

Wacker BS50-2 Crankcase, Ramming System & Engine

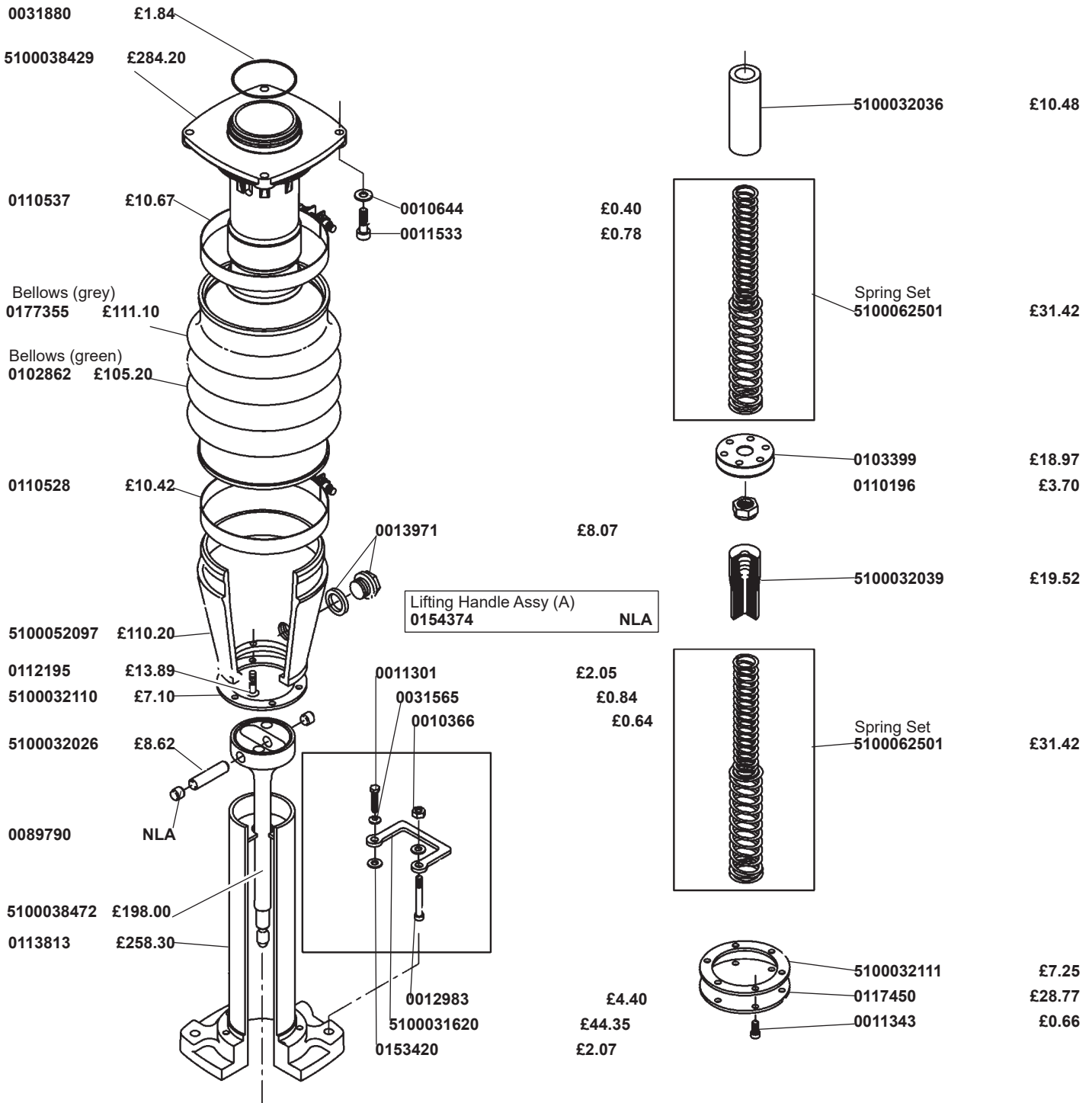


H - Light Plant Spares

Wacker BS50-2 Engine (after 2010)



Wacker BS50-2 Ramming System



CAST IRON RAMMING SHOES



Cast iron ramming shoe kits
Complete with bolt kit

(Interchangeable with the
plastic shoe)

PLASTIC RAMMING SHOES



Plastic ramming shoe kits
Complete with bolt kit

(Interchangeable with the cast
iron shoe)

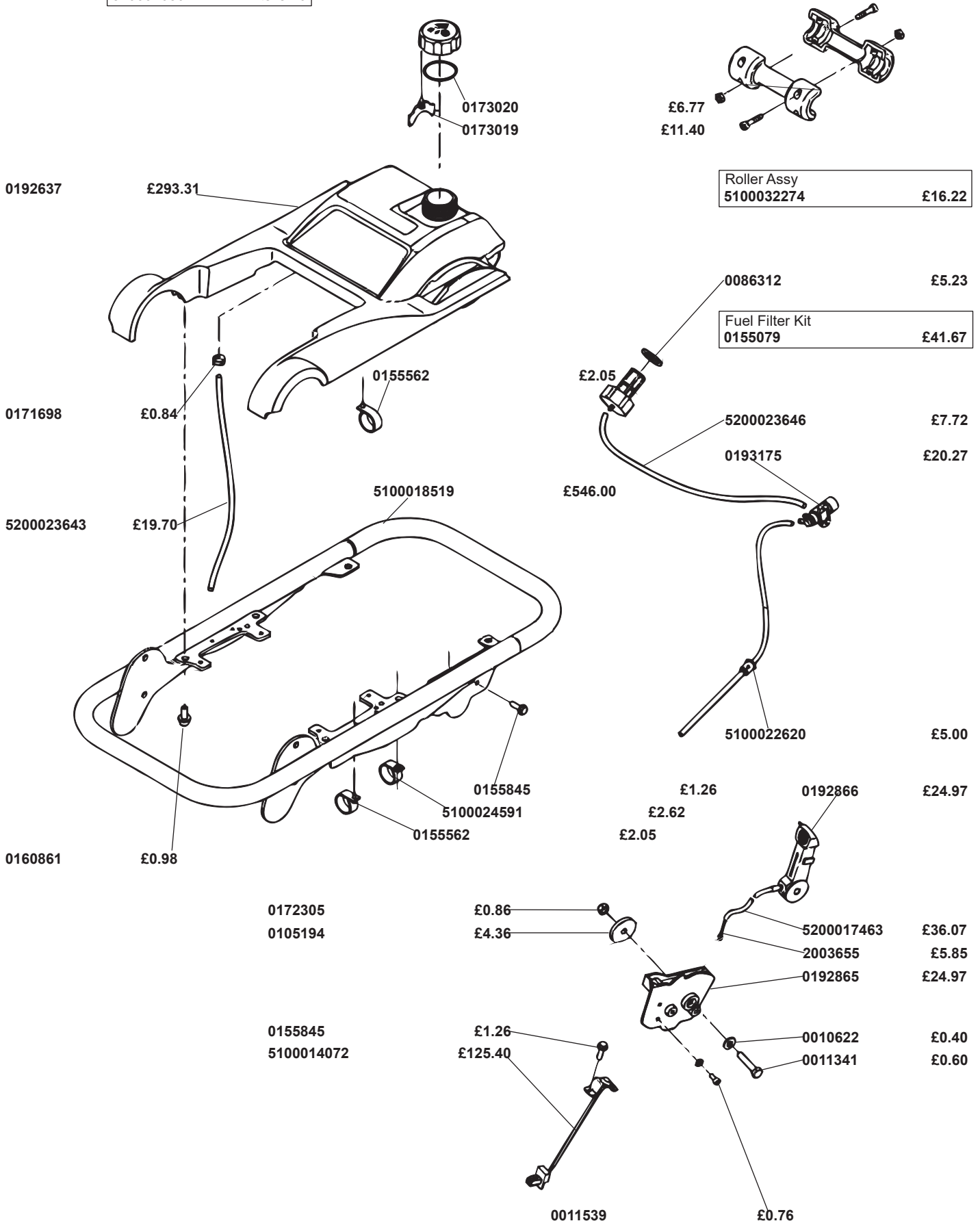
Part No.	Size	Price
0112369	6"	£255.00

Part No.	Size	Price
0162867	8"	NLA

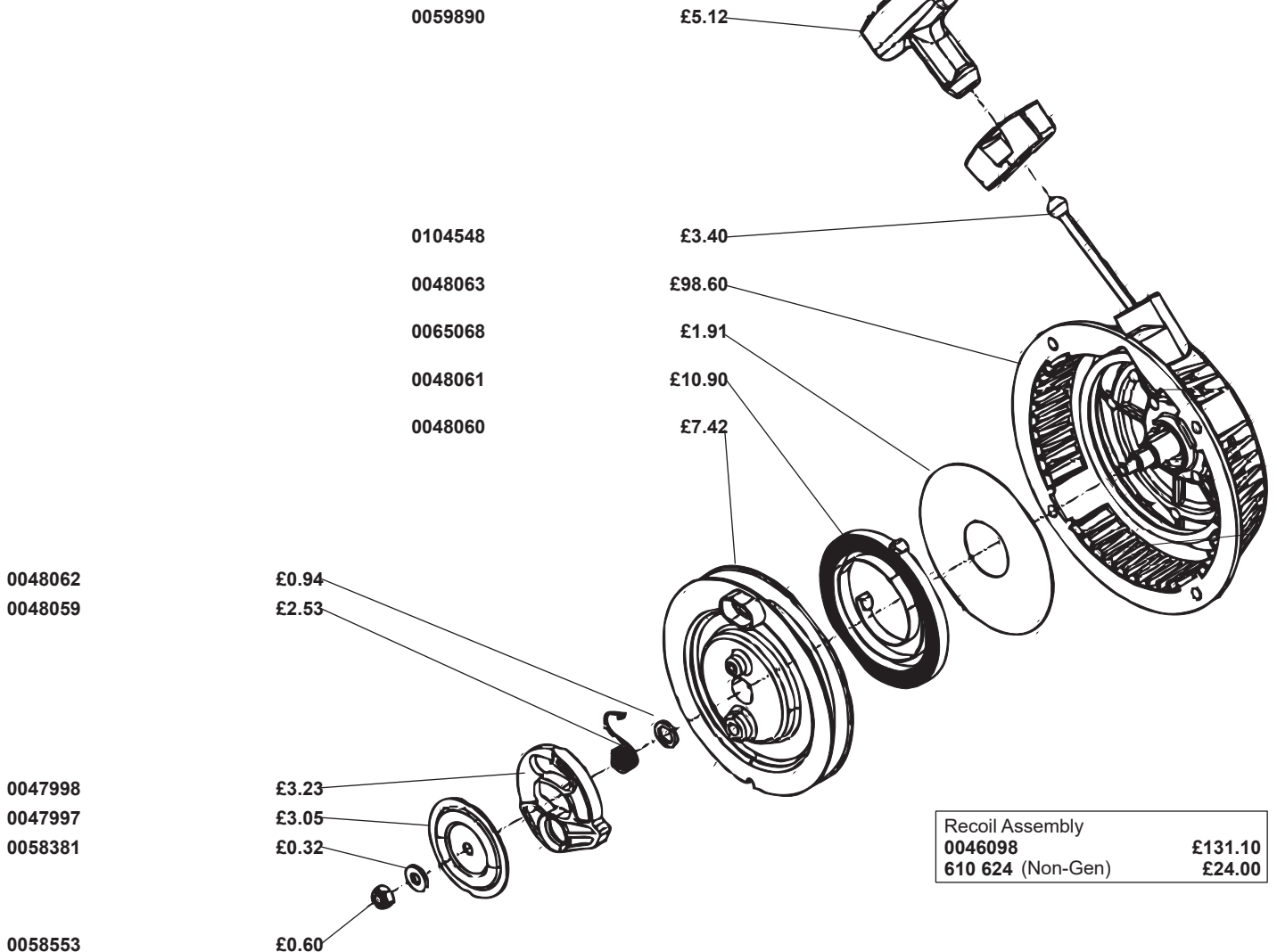
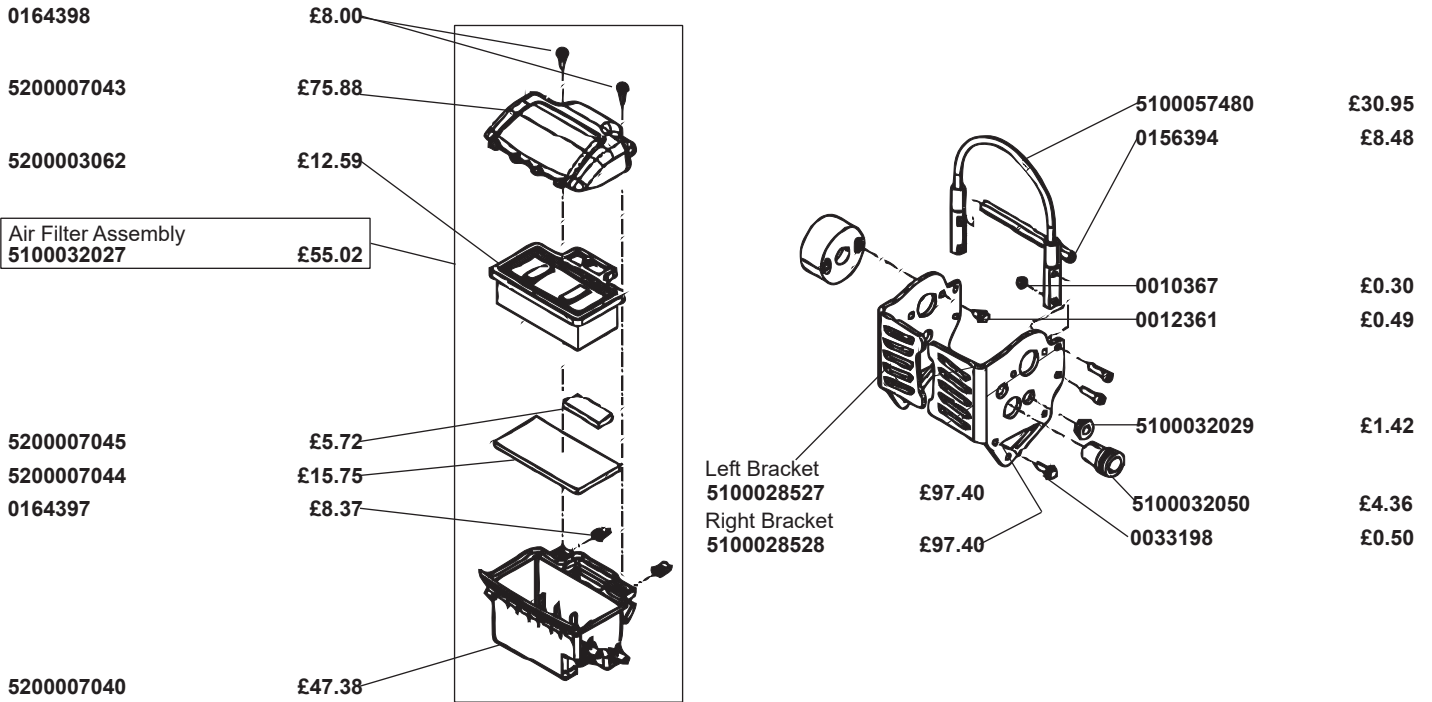
5100042452	11"	£260.40
------------	-----	---------

Wacker BS60-2 Guide Handle

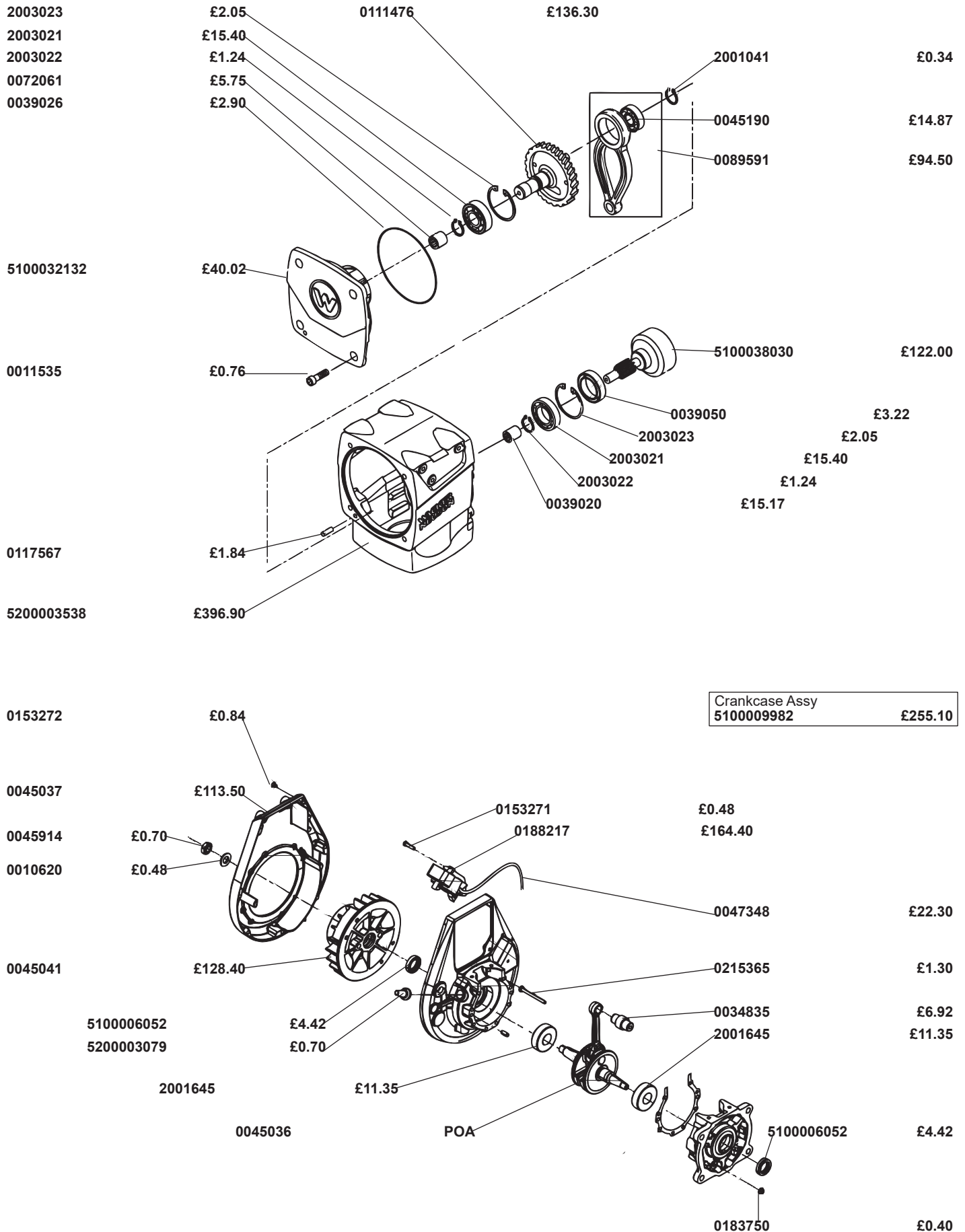
Fuel Cap
5200010501 £28.40



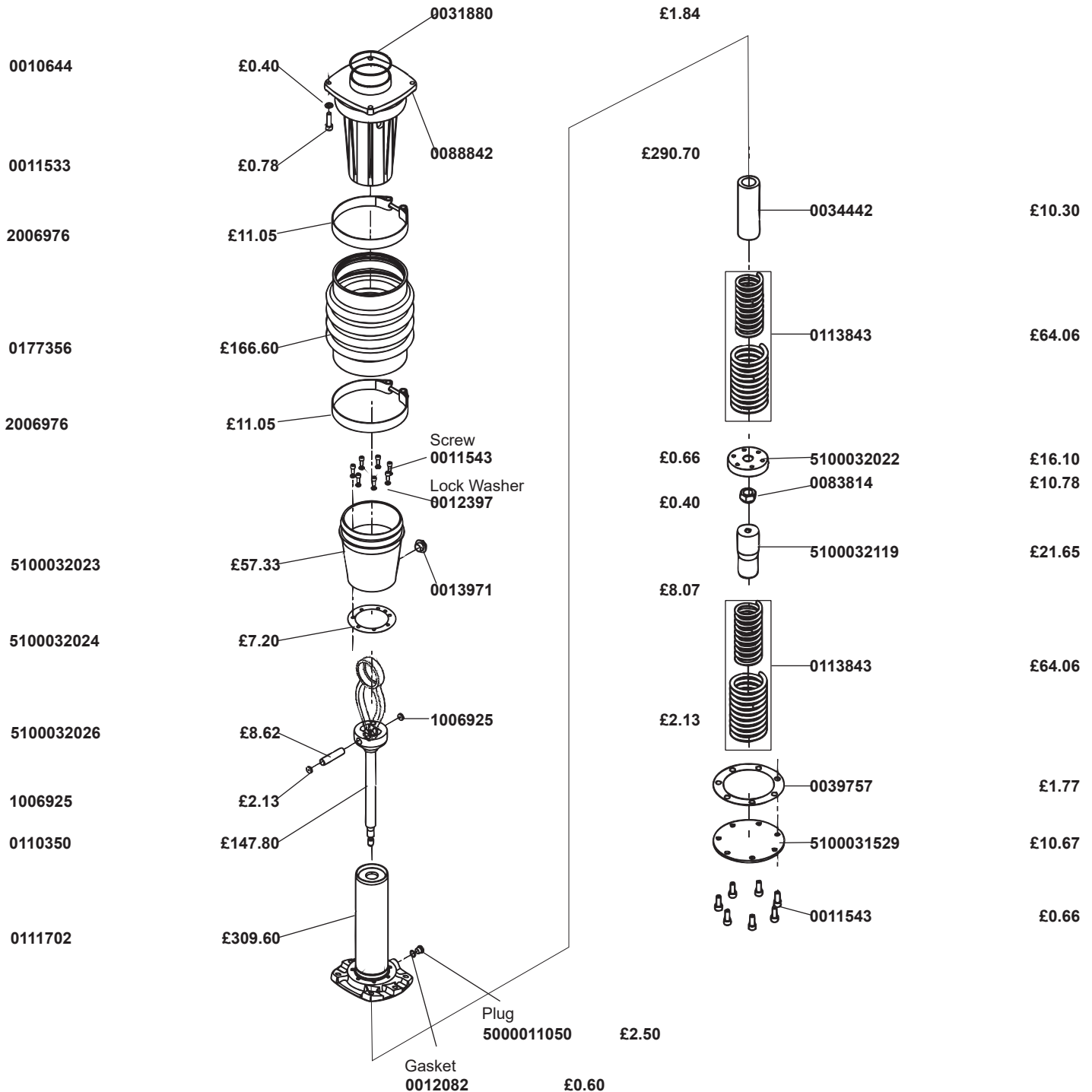
Wacker BS60-2 Air Cleaner & Recoil Starter



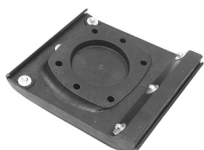
Wacker BS60-2 Crankcase, Ramming & Engine



Wacker BS60-2 Ramming System



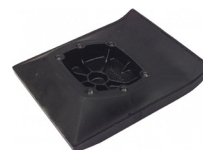
CAST IRON RAMMING SHOES



Cast iron ramming shoe kits
Complete with bolt kit

(Interchangeable with the plastic shoe)

PLASTIC RAMMING SHOES



Plastic ramming shoe kits
Complete with bolt kit

(Interchangeable with the cast iron shoe)

Part No.	Size	Price
5100042451	11"	£265.20
5100042454	13"	£247.70

Part No.	Size	Price
0112299	11"	NLA

Wacker Spares



V Belt



V Ribbed Belt

Part No.	Type	Wacker Models	Price
0096904	V Belt	BPS	£11.52
0201014	V Belt	BPU3050	£10.80
2005653	V Belt	PVP75, CT48ADP, CT48ADT	£19.54
0099941	V Belt	DPU100 to DPU70	£8.75
0058322	V Belt	DPS1850H, DPU2430 to DPU2440F	£12.70
0125933	V Belt	DPU2540 to DPU3070	£10.30
0027253	V Belt	VPG260/VPA1740 to VPA1750	£9.50
0114178	V Belt	VP1030 VP1135	£5.85
0117023	V Belt	VP1340 to VP2050	£8.95
0402006	V Belt	WPP1540 to WPP1550	£19.53
0056212	V Belt	WP1030 WP1235	£3.90
5100044733	V Belt	WP1540 to WP2050	£14.40
5100001487	V Ribbed Belt (New Type)	BFS1345	£30.65
0126548	V Ribbed Belt	BFS1345	£34.57

0114174 £83.00	0116829 £27.13	5000400741 £36.65	0130010 £46.53	0125950 £98.60
0130040 £1.73	0404516 £24.63	0404516 £24.63	0404359 NLA	0404499 £28.97
0402121 £56.75	0402061 £58.18	0114762 £8.00	0105056 £4.55	0127085 £9.34

Wacker Spares

BASEPLATES



Wacker Baseplate
WP1030A Plate Compactor

Genuine Wacker Neuson Part

Part No.	Price
0402071	£462.00



Cast Iron Base Plate for
VP1030 Plate Compactor

Genuine Wacker Neuson Part.

Part No.	Price
0401261	£350.40

Exciter Bearing fits VP1030 VP1135	Exciter Bearing fits VP Series	Exciter Shaft fits VP1135A	Covering Exciter fits VP Series	Exciter End Cover fits VP1030 VP1135
0114484 £29.85	0117024 £48.88	0114169 £98.10	0155431 £28.18	0155430 £42.98
Vibration Mount fits VP1030 VP1135	Vibration Damper fits VPG - PVP	Vibration Damper fits DPU2430	Vibration Mount fits VP1340 / WP1540	Vibration Mount fits VP / WP / WPP / WPU
0400388 £17.88	0029044 £7.18	0049585 £24.05	0130000 £25.10	0130961 £7.73
Vibration Mount fits WP / WPP / WPU Plates	Vibration Mount fits DPU2540 to DPU3760	Vibration Mount fits WP1030 WP1235	Handle Mount fits WP / WPP / WPU Plates	Handle Mount fits VP1030 to VP2050
0088873 £11.38	0125931 £20.63	0400409 £22.93	0402120 £15.22	0130064 £15.73
Lifting Arm fits BH23 BH24	Front Lifting Handle fits VP1030	Front Lifting Handle fits VP1135	Lifting Handle fits VP1135	Lifting Handle fits VP1340 to VP2050
0222472 £22.70	0130882 £37.35	0130854 £25.17	0130851 £80.60	0130795 £87.90
Lift Cage fits WP1250, WP1550	Lift Cage fits WP1540	Handle Collar fits BH23 BH24	Front Handle Spacer fits Wacker VP	Slide Bearing fits BH23, BH24, BH55, BH65
0401734 £136.50	0402042 £145.70	0209490 £7.73	0130787 £0.80	5100032401 £4.02

Wacker Spares

				
Throttle Cable fits DPU2540 to DPU3760	Throttle Cable Assy fits BH23, BH24	Throttle Cable Assy fits BH23, BH24	Throttle Cable Inner fits BS52Y	Throttle Cable Inner fits BS50-2, BS60-2, BS600
0125348 £24.78	0095710 £21.77	0222383 £16.85	0088665 £7.32	0165628 £6.07
				
Throttle Cable Outer fits BS52Y	Throttle Bracket fits BS50, BS60, BS70	Switch fits BS600	Stop Switch fits BS50-2	Cut Out/Stop Switch fits BS50-2, BS60-2
0088666 £5.03	0192865 £24.97	0163570 £217.10	5100014072 £125.40	2007007 £18.65
				
Ignition Module/Coil fits BS50/60-2, BS600, BH23	Carbon Brush fits EH8 - EHB10	Torsion Spring fits BH23 BH24 Breakers	Ignition Cable for Wacker BS45Y, BS600, BS700	Throttle Kit fits CT36 - 5A
0103302 £156.10	0046221 £9.78	0212561 £4.93	0076521 £9.33	0163391 £46.03
				
Shift Lever fits BH23, BH24	Choke Lever fits BH23	Choke Lever (Walbro) fits BH23, BH24	Carburettor fits BH24	Carburettor fits BH23
0222523 £21.48	0128931 £8.68	0222004 £9.93	5000212564 £114.50	0222029 £19.90
				
Carburettor fits BH23, BH24	Carb Adaptor fits BS50-2, BS60-2	Choke Lever (Walbro Carb) fits BS50-2, BS60-2	Choke Shaft (Walbro Carb) fits BS50-2, BS60-2	Carburettor fits BS60-2
5100061744 £81.60	0178321 £82.30	0182782 £4.30	0182763 £16.95	0172952 £201.30
				
Carburettor fits BS60-4	Carburettor fits BS50-2i	Carburettor Walbro fits BS60-2	Pan Head Screw for BS50-2, BS60-2	Walbro Carb Sleeve fits BS50-2, BS60-2
5200014744 £475.00	5100061745 £164.50	0175332 £180.00	0182766 £7.32	0182783 £9.73

Wacker Spares

Carb Repair Kit for BH23	Tillotson Carb Kit for BS50-2, BS60-2	Walbro Carb Repair Kit for BH23, BH24	Head Gasket (0.25mm) for WM80	Tillotson Carb Gasket for BH22, BH23, BH24, BH55
0126973 £37.68	610 650 £12.32	0222003 £16.65	5200011236 £2.00	0095774 £0.88
Exhaust Gasket (square hole) fits BS50-2, BS60-2	Carb Gasket fits BS50-2, BS60-2, BS600	Carb Gasket (7 holes) fits BS50-2, BS60-2, BS600	Tillotson Carb Flange Gasket	Pre Filter fits DS72Y, BS600 - 700
0012202 £1.47	0083445 £1.73	0165182 £2.95	2005666 £1.18	0095294 £7.90
Air Filter Element fits BS50-4As, BS60-4As	Air Filter Back Plate fits BH23, BH24	Air Filter Cover fits BH23, BH24	Filter Connection fits WM77/80	Air Duct/Manifold fits BS50-2, BS60-2
5200003062 £12.59	0207688 £5.82	0222499 £7.03	0014359 £21.79	0156976 £12.02
Spring fits BTS630/BTS635	Clutch Spring fits BH22, BH23, BH24, BS65Y	Clutch Shoe fits BH23, BH24, BS65Y	Clutch Spring fits PVP & VP Series	Clutch Spring fits BPS
0222720 £15.17	0049191 £3.48	0049364 £25.70	0054527 £17.87	0097992 £5.42
Clutch Spring fits WP1540/50	Clutch Spring fits VP1030, VP1235	Clutch Kit fits WP1235A	Clutch fits WP2050A	Clutch fits WPP
0110776 £17.86	0130158 £7.28	0403088 £268.40	0402748 £212.80	0400350 £210.40
Clutch fits WP1540/50	Centrifugal Clutch fits VP1340 VP1550	Centrifugal Clutch fits VP1030/1135	Crankcase fits WM80	Piston Guide fits DPU2540H
0086968 £463.00	0130031 £148.30	0130041 £148.30	0045035 £244.10	0126163 £9.02

Wacker Spares

5L 10W-40 ENGINE OIL



Heavy Duty ATC
Diesel Engine Oil
10W-30 - 5 Litre

Genuine Wacker Consumable

COMPLEX GREASE



Longlife Complex Grease EP2

Extends Re-Lubrication Intervals
Excellent EP and
Anti-Wear Performance
Protects Components
Operating in Wet Conditions

Part No.	Price
6100012653	£23.50

Part No.	Price
6100012651	£3.63

20L 10W-40 ENGINE OIL



Wacker Engine Oil
LE 10W-40 (20 Litre)

Genuine Wacker Consumable

20L 15W-40 ENGINE OIL



Heavy Duty Diesel Engine Oil
15W-40 - 20 Litre

Genuine Wacker Consumable

Part No.	Price
6100012652	£70.33

Part No.	Price
6100012620	£76.33

Fuel Tank for BH23, BH24	Fuel Tank Cap - BS45Y, BS52Y, BS65Y, BS600	Oil Tank Cap for BS50-2i, BS60-2i, BS600oi	In Tank Fuel Filter for BH22, BH23, BH24	Fuel Filter for BH23					
0213520	£90.00	610 612	NLA	0152611	£18.93	0125485	£10.05	0215363	£6.32
Fuel Valve Kit for BS45-65Y	Fuel Valve & Bush Kit for BS50-4/60-4, BS600/700	Fuel Filter/Valve Kit for BS45, BS52Y, BS65Y	Fuel Valve Bushing for BS45Y, BS52Y, BS65Y	Fuel/Water Tap for PVP & VP Series					
0112180	£95.10	0114066	£53.97	0112181	£106.10	0110586	£7.21	0027149	£40.54
Switch/Fuel Tap for BH22, BH23, BH24	Fuel Primer Pump & Hose BH22 BH23 BH24	Fuel Hose Assy for BS50-2, BS60-2	Fuel Hose for BH23, BH24	Fuel Hose for BS50-2, BS60-2					
0222027	£10.73	0222796	£17.30	5100019494	£8.85	2003494	£6.68	5200003083	£18.22

Wacker Spares

BREAKER SIDE CASING



Fig.1



Fig.2

Side Casing for Wacker Breaker
Genuine Wacker Neuson Part

Part No	Fig.	Application	Price
0213517	1	BH23, BH24, BH55, BH65	£80.90
0213518	2	BH23, BH24, BH55, BH65	£75.90

BREAKER COVER



Cover for Wacker BH24
Genuine Wacker Neuson Part

COVER CONSOLE



Cover Console fits WP1540
Genuine Wacker Neuson Part

Part No.	Price
0213533	£17.98

Part No.	Price
0401551	£41.67

Marquee Tent Peg Driving Tool fits BH23 BH24	Water Shut Off Valve fits WP1030 to WP1550	Mechanical Seal fits Wacker PT2A Trash Pumps	Plug fits WP1540W
6100005502 POA	0403512 £10.22	0119784 £77.72	0402081 £2.63
Water Manifold fits WP1235A	Hose Connector fits WP1540W	Compact Seal fits DPU2450H	Power Cable 110 volts Fits PS2-400/500
0400408 £18.88	0401922 £3.55	0129269 £11.80	0152387 £277.40
Power Supply Cable 120v fits RTKX Roller	Plug & Lead Assy fits RT56 RT82 Rollers	Threaded Spindle fits DPU2540H	Screw for WP1235A
50000203891 £283.10	0154406 £282.00	0201009 £6.95	0401838 £5.12

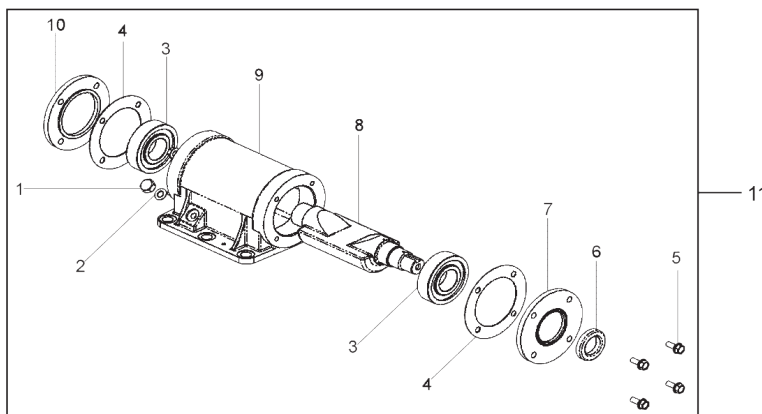
Plate Compactor Spares

BELLE PLATE SPARES

				
Drive Belt fits PCX with Honda or Robin Engine	Drive Belt fits PCX with Hatz 1B20 Engine	Drive Belt fits PCLX with GX100 Engine	Engine Mount fits PCX with Hatz Engine	Honda & Robin Engine Mount fits PCX
11.4.019 £4.75	11.4.020 £5.20	21/0158 £6.43	21.0.298 £9.24	21.0.292 £8.70
				
Vibration Mount fits PCX & PCLX	Vibration Mount fits PCLX	Clutch fits PCLX 5/8" Shaft / 150mm O/D	Clutch fits PCX 3/4" Shaft / 150mm O/D	Rubber Wheel fits PCX
21/0157 £5.60	21/0162 £6.15	969 277 £81.80	969 280 £79.00	19.0.603 £18.25

Part No.	Ref	Description	Price
MS12	1	Plug	£1.95
12.1.057	3	Bearing	£14.13
943/99904	4	Gasket	£1.06
7/8037	5	Screw	£0.40
15.0.196	6	Oil Seal	£2.58
77.0.015	7	End Cover	£33.73
943/99921	8	Vibrator Shaft	£124.60
77.0.013	9	Vibrator Housing	£197.00
77.0.016	10	End Cover	£35.69
PCX/VIB-01SP	11	Complete Assembly	£261.40

BELLE PCLX & PCX EXCITER UNIT



DYNAPAC CM13 SPARES

				
CM13 Drive Belt	CM13 Plate Spring	CM13 Mounting Rubbers Set of 8	Solid Tyred Wheel 10" Diam. x 1" Bore	CM13 Handle
A35 £4.50	CM13/200 NLA	CM13/100 £31.79	800 167 £38.33	CM13/400 NLA

VonArx FR200 Floor Planer Spares

PLANER CUTTERS



Tungsten Carbide Tipped (TCT) long life planer cutters
Aggressive planing or grooving action

I/D 17mm. 76 required per drum

Part No.	Price
890 200	£2.95

SCALER/SCABBLER CUTTERS



For removing surface coatings & compacted deposits or for roughening smooth surfaces to improve slip resistance

I/D 16mm. 76 required per drum

Part No.	Price
EMPSS 412	£0.95

SPACER WASHERS



Spacer Washers

106 required per drum (approx)

Part No.	Price
890 201	£0.10

DRUM ASSEMBLY

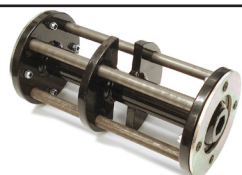


Drum assembly c/w 76 cutters

Supplied with either Planer or Scaler cutters

Part No.	Type	Price
890 202	c/w Planer Cutters	£268.10
890 212	c/w Scaler Cutters	£221.80

DRUM ONLY



Drum only c/w flail shafts

Part No.	Price
890 203	£85.90

FLAIL SHAFTS



Replacement flail shafts

Part No.	Model	Diam.	Price
890 204	FR200/SPE	10mm	£5.74
890 205	FR200/FSEC	12mm	£6.27

DRIVE SHAFT ASSY



Hexagon drive shaft assembly c/w locking ring & star washer

Part No.	Description	Price
890 220	Hex Drive Shaft Assy	£105.10
890 213	Locking Nut, Washer & Woodruff Key Kit	£31.36

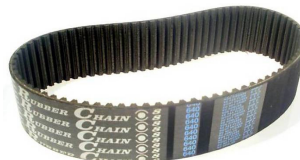
DRUM BEARINGS



Replacement drum bearings

Part No.	Type	O/D	Price
890 208	6303 2RS2C3	46mm	£9.20
890 209	6006 2RS2C3	54mm	£10.80

DRIVE BELT



Replacement toothed drive belt

Part No.	Price
890 206	£36.90

WHEELS



Replacement front & rear wheels

Part No.	Description	O/D	Price
890 211	Front Wheel	62mm	£58.21
890 215	Rear Wheel	125mm	£26.60

Errut/Belle PRM Floor Grinder Spares

SCOURA BOX



Scoura Box c/w 12 cutters for Errut/Belle floor grinder

6 required per machine

Part No.	Price
EMPSS 450	£47.87

GRINDER CUTTERS



Tungsten Carbide grinder cutters for Errut/Belle floor grinder

72 required per machine

Part No.	Price
EMPSS 412	£0.95

CROSS WIRE BRUSH



Cross wire brush for Errut/Belle floor grinder

6 required per machine

Part No.	Price
890 100	£3.27

GRINDING STONES



Grinding Stones for Errut/Belle floor grinder

Size: 4" x 2" x 2"
6 required per machine

Part No.	Description	Price
890 120	12 Grit (Coarse)	£3.25
890 360	36 Grit (Medium)	£3.25
890 600	60 Grit (Fine)	£3.45

WOODEN WEDGES



Wooden wedges for fixing scoura box/grinding stones etc.

6 required per machine

Part No.	Price
890 115	£0.60

WHEEL



N/G Rear Wheel
200 OD X 20mm Bore

Part No.	Price
200 056	£33.00

DRIVE BELT - HONDA



Drive belt for Errut/Belle floor grinder fitted with a Honda GX120 engine

2 required per machine

Part No.	Price
11.4.019	£4.75

HONDA GX120 ENGINE



Replacement Honda engine

Part No.	Price
GX120 QX	£312.00

LONCIN G120 ENGINE



Replacement Loncin engine

Part No.	Price
700 710	£179.00

PLANER CUTTERS



Tungsten Carbide planer cutters for Errut 313 twin drum floor planer

Part No.	Price
ESCAP 313	£0.95

Camon C8 Rotovator Spares

				
Standard Tines (set of 16)	Heavy Duty Tines (set of 16)	Nuts & Bolts (set of 32 pairs)	Flange	Drive Flange
710 927 (Genuine) £157.20	710 928 £182.20	710 932 £6.93	590 48422 £100.60	590 48435 £121.30
				
Drive Shaft	Drive Pinion	Central Knife	Clutch (127mm long) GX240/GX270	Clutch Lever
590 48408 £234.70	524 59230 £157.20	590 49850 £108.50	CA59247907A £246.50	561 47845 £38.13
				
Clutch Lever Boot	Gasket	Handle Bar Column	Tee Adjusting Lever	Support Rod
551 47842 £33.07	580 43407 £5.67	590 51682 £171.10	CA55251688 £31.47	563 51685 £47.20
				
Tee Lever Spring	Support	Throttle Lever	Throttle Cable	Cable Support
580 42219 £7.73	552 51686 £24.53	580 02538 £34.93	580 43219 £18.95	552 43340 £19.73
				
Clutch Cable	Clutch Lever Clip	Motor Stop Lever	Stop Cable Adjuster	Drive Cable
580 47629 £31.73	580 51670 £5.07	552 48041 £27.47	581 50309 £9.57	580 57284 £36.80
				
Lever Elbow	Lever Elbow	Set of 8 Teeth for C500 Stump Grinder	Throttle Lever & Cable for C500 Stump Grinder	TC07 Turf Cutter Blade
552 48379 £11.47	552 42528 £10.40	710 929 (Genuine) £206.50	762140 £65.70	351 025 £63.73
		710 925 (Non-Gen) £98.90		

Wallis Emulsion Cold Tar Sprayer Spares

CUP WASHER



Leather cup washer for Wallis Tar Sprayer

Part No.	Price
052 186	£22.92

SPRAY NOZZLE BODY



Spray Nozzle Body for Wallis Tar Sprayer

Part No.	Price
011 479	£43.72

TOP COVER JOINT



Top cover joint for Wallis Tar Sprayer

Part No.	Price
052 081	£4.85

SWIRLER



Swirler for Wallis Tar Sprayer

Part No.	Price
011 481	£45.15

STRAINER COVER JOINT



Strainer cover joint for Wallis Tar Sprayer

O/D 198mm

Part No.	Price
052 087	£10.27

SPRAY NOZZLE CAPS



Spray Nozzle Caps for Wallis Tar Sprayer

Part No.	Type	Price
019 383	1/4" Hole	£40.95
019 384	5/16" Hole	£41.20
019 385	3/8" Hole	£33.08

CYLINDER COVER JOINT



Cylinder cover joint for Wallis Tar Sprayer

Part No.	Price
052 082	£2.95

SPRAY HOSE



Spray hose for Wallis Tar Sprayer

Length: 3m

Part No.	Price
050 772	£207.00

GLAND PACKING



Gland packing for Wallis Tar Sprayer

per metre

Part No.	Price
124 0001	£13.15

SUCTION HOSE



Suction hose for Wallis Tar Sprayer

Part No.	Price
050 771	£103.00

DELIVERY PIPE - SHORT



Short delivery pipe for Wallis Tar Sprayer

Part No.	Price
019 625	£24.72

STRAINER COVER PIPE



Strainer cover pipe for Wallis Tar Sprayer

Part No.	Price
880 13313	£49.95

Paslode Spares & Accessories

IMPULSE MINI FUEL CELL PACK



Paslode Impulse Mini Fuel Cell Blister Pack - Yellow Valve Series. For use with the IM65 and IM65a
2 Fuel Cells



Part No.	Price
904 0030	£54.52

IMPULSE FUEL CELL PACK



Paslode Impulse Standard Fuel Cell Blister Pack - Pink Valve Series
For use with the IM350 & IM350+
2 Fuel Cells



Part No.	Price
904 0031	£54.52

FIRMAHOLD MINI GAS PACK



Quality, Non-Genuine Alternative Gas for Paslode Guns
Yellow Valve, 30ml, 2 Pack
Alternative to 904 0030 (Above)

Part No.	Price
BFC	£16.10

FIRMAHOLD STANDARD GAS



Quality, Non-Genuine Alternative Gas for Paslode Guns
Red/Pink Valve
80ml
2 Pack
Alternative to 904 0031 (Above)

Part No.	Price
CFC	£17.75

SERIES-I FUEL CELL



Paslode Series-I Gas Fuel Cell for IM90i PPN35Ci IM360Ci Nail Guns, 80ml, Sold Individually



Part No.	Price
904 0032	£46.71

IN-CAR CHARGER ADAPTOR



Paslode In-Car Charger Adaptor
For use with 904 0071 & 904 0072 Battery Chargers



Part No.	Price
904 0676	£32.99

NIMH BATTERY



Paslode Nickel-Metal Hydride Battery Cell **replaces Nickel-Cadmium (NiCd) Battery** - For IM350 IM350+, IM65, IM65A & IM50 Models
1.5Ah, 6V



Part No.	Price
904 0667	£88.00

LITHIUM BATTERY



Paslode Lithium Battery For Lithium Models Including IM65, IM65A, IM350+, IM360Ci & PPN35Ci Gas Nailers
2.1Ah 7.2V



Part No.	Price
904 0051	£82.50

CHARGER WITH ADAPTOR



Paslode Battery Charger with AC/DC Adaptor
For use with NiCd & NiMH batteries (above).



Part No.	Price
904 0071	£81.32

BATTERY CHARGER



Paslode Lithium Battery Charger
For use with 904 0051 (above)



Part No.	Price
904 0072	£66.81

AC/DC ADAPTOR



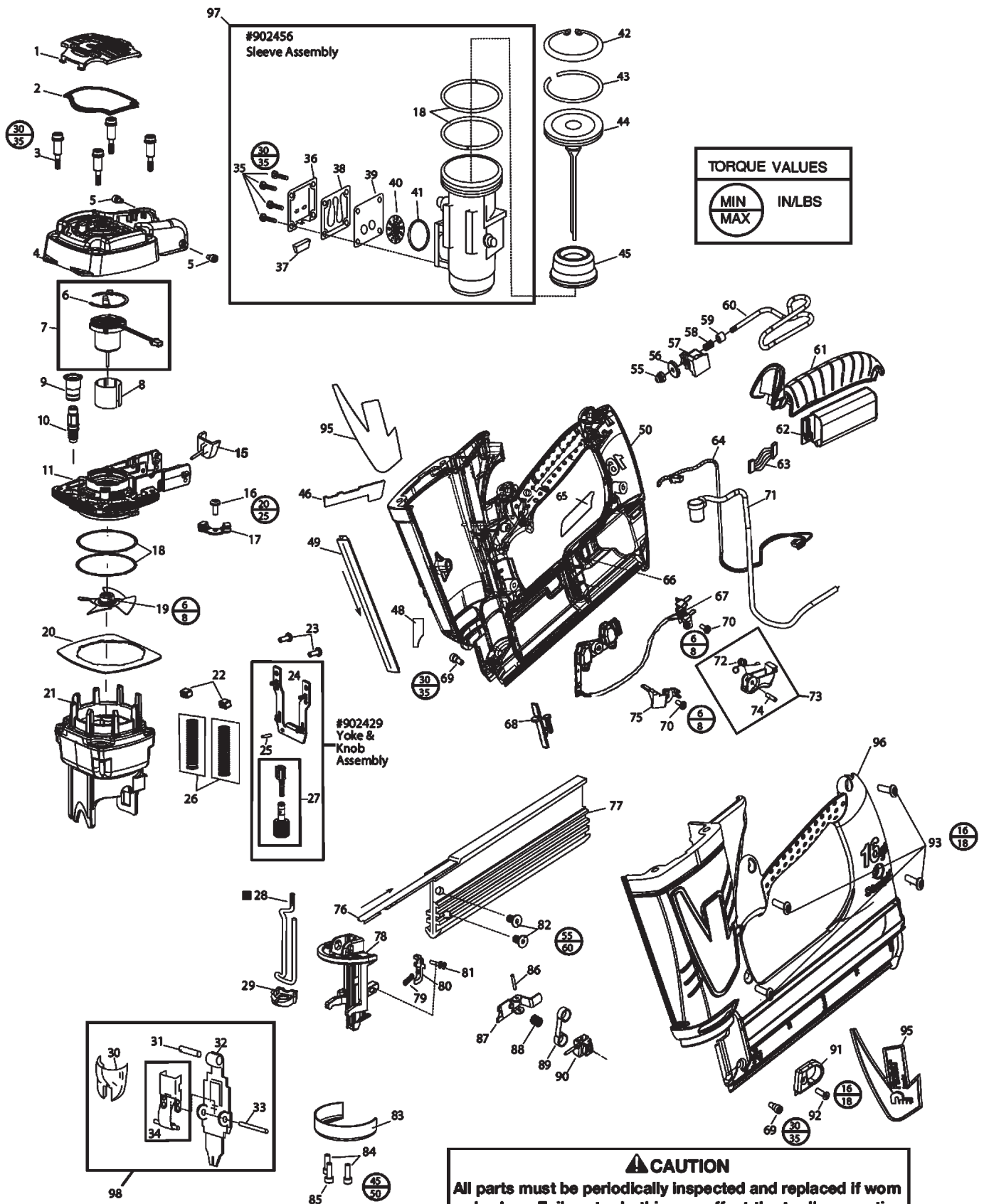
Paslode AC/DC UK 3-Pin Adapter.



Part No.	Price
904 0220	£41.47

Please contact us for any consumables & accessories not listed here.

Paslode IM65 (013323) Lithium Spares



H - Light Plant Spares

Paslode IM65 (013323) Lithium Spares

Part	Ref	Description	Price
904 0641	1	Grille 013715, 900801	£5.11
904 0095	* 2	Filter 900648	£10.80
904 0536	3	Shoulder Screw 8-32 x 1-3/8"	£3.64
904 0601	4	Cap	£26.82
904 0652	5	Screw, SHC	£10.75
904 0627	6	Retaining Ring	£8.60
904 0204	7	Fan Motor Assembly with Ring	£77.47
904 0523	* 8	Motor Sleeve	£5.04
904 0594	9	Insulator	£3.95
904 0580	* 10	Spark Plug Assembly	£13.33
904 0602	11	Cylinder Head	£53.01
904 0246	15	Stem adapter	£6.19
904 0526	16	SEMS Screw, Torx	£2.36
904 0589	17	Cylinder Head Circuit Board Assy.	£6.94
904 0206	* 18	Seal Ring	£15.84
904 0579	19	Fan Assembly	£23.41
904 0572	20	Air Dam	£13.78
904 0587	21	Combustion Chamber	£106.20
904 0577	22	Probe Bumper	£3.25
904 0590	23	Screw, #8-32 x 7/16	£4.27
904 0575	24	Yoke	£17.65
904 0588	25	Roll Pin	£2.64
904 0892	26	Spring Guide Assembly	£2.50
904 0642	27	Knob w/ Yoke Guide Assembly	£33.23
904 0668	^28	Probe	£25.77
904 0631	* 29	Probe Tip	£8.60
904 0543	30	Latch Cover, Quick Clear Black	£14.76
904 0549	31	Dowel Pin	£9.95
904 0664	32A	Front Plate C Series	£46.93
904 0665	32B	Front Plate ND Series	£47.67
904 0569	33	Dowel Pin	£23.73
NLA	34	Quick Clear Lever Assembly	-
904 0655	35	Screw 8-32 x 3/8" (red)	£2.29
904 0563	36	Muffler Cover	£15.01
904 0547	37	Muffler	£17.56
904 0561	38	Reed Valve	£13.81
904 0562	39	Reed Plate	£75.41
904 0597	40	Exhaust Baffle	£13.78
904 0548	* 41	Exhaust O-Ring	£9.34
904 0214	42	Retaining Ring	£2.54
904 0245	43	Piston Ring	£11.75
904 0586	* 44	Piston Assembly	£143.50
904 0567	* 45	Piston Bumper	£39.67
904 0650	46	Label, Li-Ion IM65 F16	£6.57
904 0656	48	Depth of Drive Indicator Label	£3.29
904 0550	49	Front Channel	£23.73
904 0688	50	Handle/Right	£30.08
904 0603	53	Fuel Door	£16.66
904 0644	54	Retaining Ring-Pin-Fuel Door	£2.01
904 0657	55	Nut-Utility Hook	£2.96
904 0658	56	Button	£8.41
904 0659	57	Block-Utility Hook	£23.64
904 0660	58	Spring	£2.69
904 0632	59	Stop Utility Hook	£4.46
904 0645	60	Utility Hook	£14.08
904 0532	61	Soft Grip	£21.99
904 0634	62	Spark Unit (MSU)	£106.30



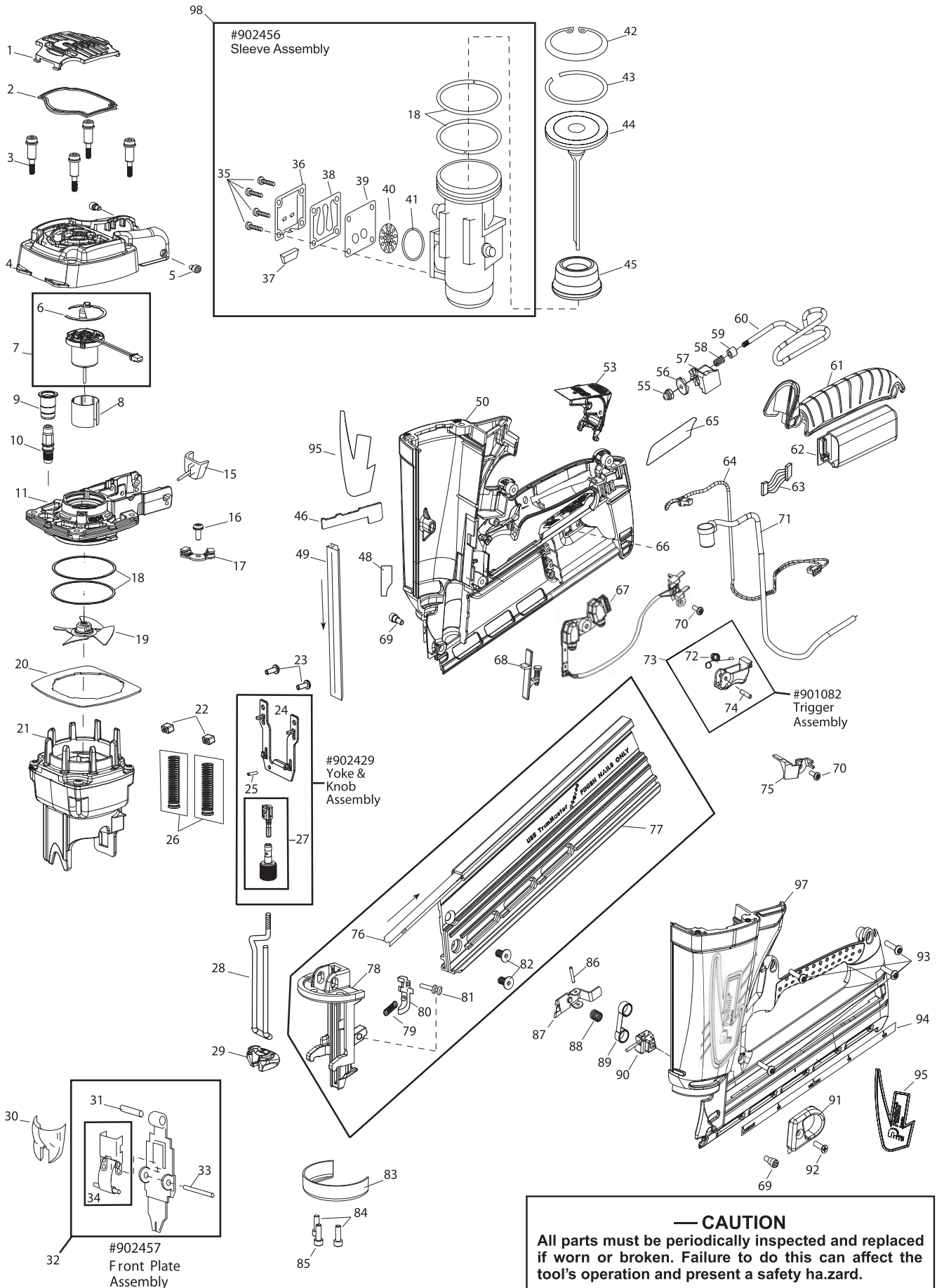
* Denotes Wear Part

** Apply Loctite RC-620 (Green)

^ Grease Part No. 900767 to Threads

Part	Ref	Description	Price
904 0559	63	ESU Power Wire Assembly	£23.64
904 0646	64	Fan Motor Wire Assembly	£6.23
904 0651	65	Nameplate	£6.57
904 0661	66	Battery Pad	£1.44
904 0633	67	Molded Circuit Assembly	£36.96
904 0249	68	Switch Slide Assembly	£10.81
904 0244	69	Soc. Hd. Shoulder Screw 8-32	£7.00
904 0524	70	Screw 6-32 x 3/8"	£2.62
904 0637	71	Spark Wire Assembly	£8.36
904 0535	72	Trigger Spring	£3.67
904 0647	73	Trigger Assembly	£12.74
904 0533	74	Dowel Pin, Trigger	£3.98
904 0552	75	Clip/ High Tension	£6.35
904 0622	76	Brad Channel	£12.73
904 0648	77	Magazine Extrusion	£61.95
904 0629	78	Nose	£138.20
904 0243	79	Spring, Lockout	£2.80
904 0545	80	Lockout Bar	£27.99
904 0553	81	Lockout Pin	£12.07
904 0558	**82	Screw 10-32 x 3/8"	£3.93
904 0571	83	Retaining Cup	£14.28
904 0578	84	SHC Screw 8-32 x 1/2" (Red)	£5.72
904 0591	85	SHC Screw 8-32 x 1/2" (Yellow)	£2.65
904 0583	86	Follower Pin	£7.41
NLA	87	Follower	-
904 0248	88	Compression Spring	£8.37
904 0208	89	Negator Spring	£5.75
NLA	90	Follower Core	-
904 0608	91	Follower Body	£13.78
904 0584	92	Screw, Plastite 8-16 x 5/8"	£2.64
904 0537	93	Screw, Plastite 8-16 x 3/4"	£1.47
904 0649	95	Handles labels assembly	£19.95
904 0666	96	Handle, Left	£30.45
904 0217	97	Cylinder Sleeve Assembly	£229.30

Paslode IM65a (013313 Angled) Lithium Spares



H - Light Plant Spares

Paslode IM65a (013313 Angled) Lithium Spares

Part	Ref	Description	Price
904 0641	1	Grille	£5.11
904 0095	* 2	Filter	£10.80
904 0536	3	Shoulder Screw 8-32 x 1-3/8"	£3.64
904 0601	4	Cap	£26.82
904 0652	5	Screw, SHC	£10.75
904 0627	6	Retaining Ring	£8.60
904 0204	7	Fan Motor Assembly with Ring	£77.47
904 0523	* 8	Motor Sleeve	£5.04
904 0594	9	Insulator	£3.95
904 0580	10	Spark Plug Assembly	£13.33
904 0602	11	Cylinder Head	£53.01
904 0246	15	Stem adapter	£6.19
904 0526	16	SEMS Screw, Torx	£2.36
904 0589	17	Cylinder Head Circuit Board Assy.	£6.94
904 0206	18	Seal Ring	£15.84
904 0579	19	Fan Assembly	£23.41
904 0572	20	Air Dam	£13.78
904 0587	21	Combustion Chamber	£106.20
904 0577	22	Probe Bumper	£3.25
904 0590	23	Screw, #8-32 x 7/16	£4.27
904 0575	24	Yoke	£17.65
904 0588	25	Roll Pin	£2.64
904 0564	26	Spring Guide Assembly	£4.55
904 0642	27	Knob w/ Yoke Guide Assembly	£33.23
904 0630	28	Probe	£22.68
904 0631	* 29	Probe Tip	£8.60
904 0543	30	Latch Cover, Quick Clear Black	£14.76
904 0549	31	Dowel Pin	£9.95
904 0653	32	Front Plate Assembly	£52.25
904 0569	33	Dowel Pin	£23.73
904 0654	34	Quick Clear Lever Assembly	£12.82
904 0655	35	Screw 8-32 x 3/8" (red)	£2.29
904 0563	36	Muffler Cover	£15.01
904 0547	37	Muffler	£17.56
904 0561	38	Reed Valve	£13.81
904 0562	39	Reed Plate	£75.41
904 0597	40	Exhaust Baffle	£13.78
904 0548	41	Exhaust O-Ring	£9.34
904 0214	42	Retaining Ring	£2.54
904 0245	43	Piston Ring	£11.75
904 0586	* 44	Piston Assembly	£143.50
904 0567	* 45	Piston Bumper	£39.67
904 0604	46	Label, Li-Ion IM65A F16	£6.57
904 0656	48	Depth of Drive Indicator Label	£3.29
904 0550	49	Front Channel	£23.73
904 0643	50	Handle/Right	£31.94
904 0603	53	Fuel Door	£16.66
904 0644	54	Retaining Ring-Pin-Fuel Door	£2.01
904 0657	55	Nut-Utility Hook	£2.96
904 0658	56	Button	£8.41
904 0659	57	Block-Utility Hook	£23.64
904 0660	58	Spring	£2.69
904 0632	59	Stop Utility Hook	£4.46
904 0645	60	Utility Hook	£14.08
904 0532	61	Soft Grip	£21.99
904 0634	62	Spark Unit (MSU)	£106.30
904 0559	63	ESU Power Wire Assembly	£23.64

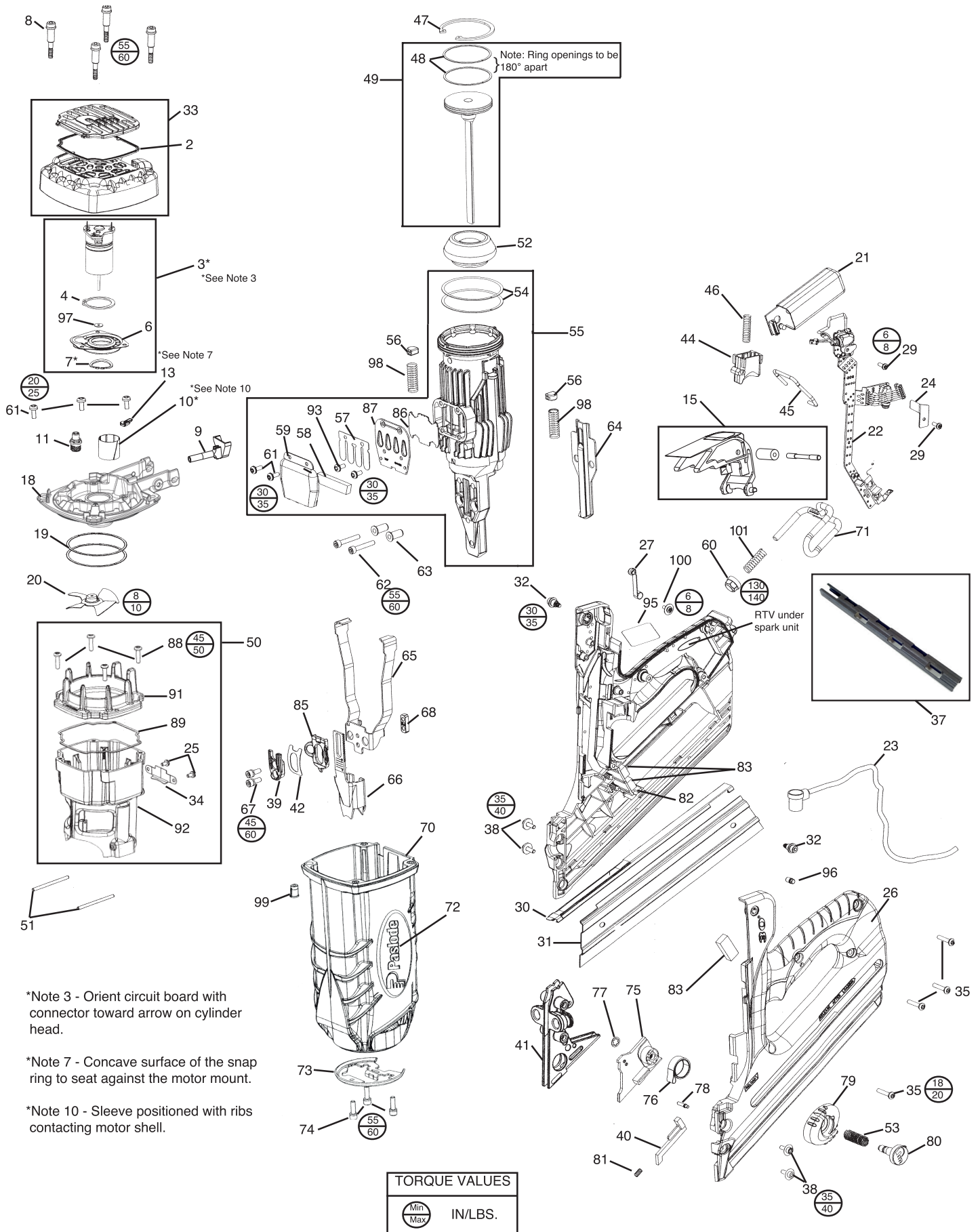


* Denotes Wear Part

** Apply Loctite RC-620 (Green)

Part	Ref	Description	Price
904 0646	64	Fan Motor Wire Assembly	£6.23
904 0605	65	Nameplate	£5.49
904 0661	66	Battery Pad	£1.44
904 0633	67	Molded Circuit Assembly	£36.96
904 0249	68	Switch Slide Assembly	£10.81
904 0244	69	Soc. Hd. Shoulder Screw 8-32	£7.00
904 0524	70	Screw 6-32 x 3/8"	£2.62
904 0637	71	Spark Wire Assembly	£8.36
904 0535	72	Trigger Spring	£3.67
904 0647	73	Trigger Assembly	£12.74
904 0533	74	Dowel Pin, Trigger	£3.98
904 0552	75	Clip/ High Tension	£6.35
904 0622	76	Brad Channel	£12.73
904 0648	77	Magazine Extrusion	£61.95
904 0629	78	Nose	£138.20
904 0243	79	Spring, Lockout	£2.80
904 0545	80	Lockout Bar	£27.99
904 0553	81	Lockout Pin	£12.07
904 0558	**82	Screw 10-32 x 3/8"	£3.93
904 0571	83	Retaining Cup	£14.28
904 0578	84	SHC Screw 8-32 x 1/2" (Red)	£5.72
904 0591	85	SHC Screw 8-32 x 1/2" (Yellow)	£2.65
904 0583	86	Follower Pin	£7.41
NLA	87	Follower	-
904 0248	88	Compression Spring	£8.37
904 0208	89	Negator Spring	£5.75
NLA	90	Follower Core	-
904 0608	91	Follower Body	£13.78
904 0584	92	Screw, Plastite 8-16 x 5/8"	£2.64
904 0537	93	Screw, Plastite 8-16 x 3/4"	£1.47
904 0662	94	Nail Load Indicator Label	£3.98
904 0649	95	Handles labels assembly	£19.95
904 0663	97	Handle, Left	£28.91
904 0217	98	Cylinder Sleeve Assembly	£229.30

Paslode IM350+ NiCad (014801) Spares



Paslode IM350+ NiCad (014801) Spares

Part	Ref	Description	Price
904 0092	2	Filter	£4.80
904 0256	3	Fan Motor Assembly (Includes PC board, washer, flat retaining ring, motor mount, and retaining ring (curved))	£197.20
904 0515	4	Retaining Ring (flat)	£1.44
NLA	6	Motor Mount	-
904 0491	7	Retaining Ring (curved)	£3.82
904 0487	8	Shoulder Screw 10-24 x 1-1/2	£3.66
904 0490	9	Stem Adapter	£5.30
904 0523	10	Motor Sleeve	£5.04
904 0514	11	Spark Plug Assembly, includes O-Ring	£18.98
904 0507	13	Bracket, Cylinder Head	£3.93
904 0464	15	Fuel Door Assembly	£45.63
904 0462	18	Cylinder Head	£76.94
904 0202	19	Seal Ring	NLA
904 0520	20	Fan Blade Assembly	£24.59
904 0529	21	Spark Unit Assembly	£169.40
904 0259	22	Moulded Circuit Assembly	£62.16
904 0517	23	Spark Plug Assembly Wire	£7.12
904 0512	24	Clip, Wire Spark Plug	£1.44
904 0494	~	Screw Thread Forming 6-32 x 1/4	£1.44
NLA	25		
NLA	26	Handle Assembly Kit - Right & Left	-
904 0528	27	Roller Lever Assembly	£6.36
904 0524	29	Screw Thread Forming 6 x 3/8	£2.62
904 0504	30	Nail Channel	£31.98
NLA	31	Cover Plate Magazine	-
904 0232	32	Shoulder Screw 10-32 x 1/2	£3.95
904 0466	33	Cap Assembly	£61.50
904 0497	34	Wear Plate, Chamber Lock	£15.79
904 0233	35	Screw Plastite 8-16 x 7/8	£1.44
904 0441	37	Magazine Channel	£19.45
904 0226	~	S.H.C.S. Sems 8 - 32 x 1/2	£2.59
	38		
904 0237	39	Stop, Cage	£13.40
904 0506	40	Lockout Bar, Follower	£9.59
904 0482	41	Shear Block	£64.66
904 0235	42	Spring, Flat	£2.26
904 0503	44	Trigger	£9.29
904 0513	45	Chamber Lock Bar	£6.76
904 0511	46	Spring, Trigger	£3.95
904 0489	47	Retainer ring	£14.15
904 0492	48	Piston Ring	£10.67
904 0509	49	Piston Assembly, includes rings	£108.60
904 0477	50	Combustion Chamber Assembly	£53.29
904 0510	51	Pin	£1.12
904 0201	52	Bumper	£15.47
904 0480	53	Spring	£3.16
904 0486	54	Steel Ring, Sleeve	£13.72
904 0488	55	Sleeve Assembly, includes rings	£219.50
904 0508	56	Rubber Stop	£8.47
904 0500	57	Reed Valve	£7.58
904 0498	58	Muffler	£12.97
904 0499	59	Muffler Cover	£13.48
904 0476	60	Utility Hook Button	£16.39
904 0526	61	Screw Thread Forming Sems 8-32 x 7/16	£2.36



~ Apply Loctite 242 (Blue)

** Apply Loctite RC-620 (Green)

Part	Ref	Description	Price
904 0224	62	Socket Head Capscrew 10-24 x 1-1/8	£2.92
904 0223	63	Bushing, Shear Block	£6.84
904 0473	64	Wear Plate, Nose	£9.07
904 0242	65	Upper Probe	£49.04
904 0474	66	Lower Probe	£16.32
904 0212	67	S.H.C.S. Sems 10-32 x 1/2	£2.09
904 0200	68	Tie Bar	£6.79
904 3271	70	Housing Assembly	£41.77
904 0478	71	Utility Hook	£25.64
904 0467	72	Label	£15.28
904 0481	73	Retainer Ring, Sleeve	£9.89
904 0211	**74	S.H.C.S. Sems 10-24 x 5/8	£2.10
904 0213	75	Follower	£15.39
904 0207	76	Follower Bushing Spring Assembly	£8.60
904 0210	77	Retaining Ring	£2.36
904 0219	78	Spring Pin	£3.95
904 0470	79	Follower Guide	£8.14
904 0471	80	Follower Button	£5.02
904 0253	81	Spring	£2.36
904 0227	82	Pad, Battery Contact	£3.93
904 0521	83	Foam Pad	£1.44
904 3227	85	Probe Release	£18.79
904 0502	86	Exhaust Baffle	£6.16
904 0501	87	Reed Plate	£17.66
904 0519	~ 88	Torx Screw 8-32 x 5/8	£1.95
904 0518	89	O-Ring	£4.32
904 5161	91	Combustion Chamber Ring	£23.46
904 0495	92	Combustion Chamber	£42.18
904 0484	93	Torx Screw Sems 8-32 x 3/8	£2.36
904 0465	95	Nameplate	£9.99
904 0516	96	Light Pipe	£6.80
904 0525	97	Washer, Motor Shaft	£1.25
904 0496	98	Spring	£2.36
904 0483	99	Brass Insert	£6.84
904 0485	100	Screw Thread Forming Sems 6-19 x 3/8	£3.95
904 0479	101	Utility Hook Spring	£2.39

Paslode IM360CI (010391) Spares

Part	Ref	Description	Price
904 0730	1	Retainer Ring	£3.51
904 0230	2	Cylinder O-ring	£18.14
904 0683	3	Piston Assembly	£129.00
904 0708	4	Piston Ring	£29.13
904 0700	5	Bumper	£40.44
904 0733	6	Rubber Stop	£9.83
904 0669	7	Combustion Chamber Spring	£6.84
904 0734	8	Combustion Chamber, Spring Guide	£8.99
904 0735	9	Combustion Chamber Spring Assembly	£28.25
904 0500	10	Reed Valve	£7.58
904 0737	11	Muffler Cover	£7.07
904 0457	**12	Screw Swage from 4-11	£2.36
904 0655	**13	Screw Swage from 4-9	£2.29
904 0498	14	Muffler	£12.97
904 0739	15	Cylinder Assembly	£226.50
904 0740	16	Injection pipe Assembly	£55.70
904 0741	17	Bracket Fuel Line	£6.81
904 0677	18	Nose	£91.90
904 0742	**19	Screw CHC M5-16	£5.62
904 0690	20	Combustion Chamber Assembly	£120.10
904 0519	21	Screw Swage from 4-15	£1.95
904 0744	22	Seal	£10.35
904 0745	23	Screw Taptite 4x8	£4.58
904 0746	24	Combustion Chamber Stop Pin	£5.86
904 0747	25	Combustion Chamber Lock Out	£7.76
904 0679	26	Knob Assembly	£52.16
904 0748	27	Upper Probe Assembly	£66.56
904 0682	28	Probe	£53.55
904 0749	29	Grill Label	£6.15
904 0801	30	Grill Assembly	£20.33
904 0750	31	Screw CHC M5-35	£5.81
904 0751	32	Hook Spring	£6.15
904 0951	33	Filter	£22.74
904 0752	34	Cap	£45.33
904 0684	35	Antenna	£39.83
904 0674	36	Motor Assembly	£119.30
904 0693	37	Spark Plug Assembly (901706)	£21.94
904 0753	38	Retaining Ring	£3.83
904 0754	39	Motor Mount	£39.40
904 0755	40	Motor Sleeve	£15.72
904 0756	41	Wire Assembly	£59.37
904 0757	42	Cylinder Head	£73.18
904 0714	43	Cylinder Head O-ring	£18.06
904 0520	44	Fan Blade Assembly	£24.59
904 1207	45	Carter	£73.97
904 0759	46	Nose Protection	£41.90
904 0685	47	Hook assembly	£99.50
904 0760	48	Magazine Ball Assembly	£42.51
904 0761	49	Cover Ball	£9.07
904 0762	50	Screw Eco-syn Torx 4x12	£4.54
904 0763	51	Magazine Knob	£12.51
904 0680	52-1	Red S-MEFI	£138.40
904 0764	52-2	Black S-MEFI	£139.10
904 0765	53	Handle Assembly	£87.00



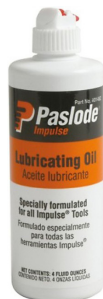
~ Apply Loctite 242 (Blue)

** Apply Loctite RC-620 (Green)

Part	Ref	Description	Price
904 0766	55	Handle Label	£9.29
904 0767	56	Contact Level	£23.53
904 0768	57	Contact Plate	£9.31
904 0769	58	Combustion Chamber Lock Bar	£14.67
904 0770	59	Trigger Spring	£6.18
904 0771	60	Trigger	£15.06
904 0772	61	Screw Eco-syn Torx 4-25	£4.68
904 0773	62	Handle Cover	£21.06
904 0774	63	Battery Terminal	£45.74
904 0775	64	Shear Block	£68.01
904 0258	65	Follower Assembly	£38.30
904 0681	66	Follower Button Assembly	£21.17
904 0251	67	Follower Spring	£15.72
904 0774	68	Battery Terminal Assembly	£45.74
904 0777	69	Battery Cap	£21.08
904 0778	70	Cover Plate Magazine (Short)	£49.48
904 0779	71	Cover Plate Magazine (Long)	£61.84
904 0781	72	Assembly Carter	£23.16
904 0780	73	Magazine Label (Short)	£9.69
904 0782	74	Magazine Label (Long)	£25.48
904 0783	75	Magazine Assembly (Short)	£44.67
904 0784	76	Magazine Assembly (Long)	£68.19
904 0785	77	Nail Channel (Short)	£13.74
904 0786	78	Nail Channel (Long)	£63.23
904 0787	79	Name Plate Label	£9.77
904 0712	80-1	Red Electrovalve Assembly	£135.80
904 0713	80-2	Black Electrovalve Assembly	£131.30
904 0788	81	Eject Button Assembly	£13.19
904 0789	82	Electrovalve Plug Connection	£11.01
904 0524	83	Screw Thread Forming 6 x 3/8	£2.62
904 0790	84	Wires Guide	£9.50
904 1191	85	Maintenance Kit (Filter + O-ring)	£55.13
904 0791	86	Power Button	£8.06
904 0792	87	Electrovalve Heat Protection	£11.41
904 0793	~88	Screw CHC M5-16	£4.35
904 0794	89	Fan Motor Ground Wire	£7.86
904 0740	90	Rubber Fuel Injection Tube	£55.70
904 0796	91	DEL Assembly	£139.70
904 0797	92	Gauges Sticker	£18.48
-	93	Battery Pusher only available as part of 904 0774	-
-	94	Battery Pusher Spring only available as part of 904 0774	-

Paslode Spares & Accessories

LUBRICATING OIL



Paslode Lubricating Oil For All Paslode Impulse Tools
Net Contents: 4 Fluid Ounces



Part No.	Price
904 0081	£15.88

CLEANING KIT



Paslode Cleaning Kit For All Paslode Impulse Tools



Part No.	Price
904 0239	£32.77

SPRAY CLEANER



Paslode 300ml Spray Cleaner For All Paslode Impulse and Spit Pulsa Tools



Part No.	Price
904 0080	£7.67

O RINGS FOR IM350



N/G Top & Bottom O Rings For IM350 Gas Nailers

Part No.	Description	Price
355 3001	N/G Top O-ring	£3.56
355 3002	N/G Bottom O-ring	£5.60

MAINTENANCE KIT FOR IM350



Paslode Maintenance Kit For IM350 Gas Nailer. Contains both Genuine and Non Genuine parts



Part No.	Type	Price
904 0090	Before (02/2006)	£69.95
904 4055	After (02/2006)	£94.70

MAINTENANCE KIT



Paslode Maintenance Kit For Earlier IM65 Gas Nailers with F16 Lithium Batteries (Probe Does Not Suit Ni-CD Models)



Part No.	Price
904 0672	£92.30

FILTERS



Part No.	Models	Price
904 0092	IM350 & IM350+	£4.80
904 0095	IM65 IM65A IM50 IM200	£10.80

NO-MAR CONTACT KIT



Paslode No-mar Work Contact Element Leaves No Mark on Wood For Modified / Adapted IM350 & IM350+ (IM350 Since 1st October 2005 - Serial Numbers V05380001 Onwards)



Part No.	Price
904 0101	£50.81

CONTACT ELEMENT



Paslode Contact Element for IM65 and IM65A Gas Nailers.



Part No.	Price
904 0573	£9.75

LONG MAGAZINE



Paslode Series-I Long Magazine Holds Two Strips of Nails, 37 Nails Per Strip



Part No.	Price
904 0103	£159.20

Firmahold First Fix Nail Packs

FIRMAHOLD FIRST FIX NAIL PACKS



FirmaHold First Fix Nail Packs
Nails per Strip: 44
Collation Angle: 34
Quality Nails Suitable for the Following Nail Guns...

Paslode **IM350**, **IM350+**, Hitachi **NR90GC2**, Bostitch **GF33PT-U**, **BF33-2-U**, Makita **GN900S**, Senco **GT90CH**, Rawl **WW90CH**, DeWalt **DCN690M2**, **DCN692N-XJ**

Part No	Details	Shank	Coating	Nails	Price
CFGR50	2.8mm x 50mm Length	Ring	FirmaGalv	1100	£17.35
CFGR63	2.8mm x 63mm Length	Ring	FirmaGalv	1100	£19.82
CFGR75	3.1mm x 75mm Length	Ring	FirmaGalv	1100	£25.78
CFGR90	3.1mm x 90mm Length	Plain	FirmaGalv	1100	£28.35
CSSR50	2.8mm x 50mm Length	Ring	A2 SS	1100	£82.38
CSSR63	2.8mm x 63mm Length	Ring	A2 SS	1100	£91.60
CBRT50	2.8mm x 50mm Length	Ring	Bright	3300	£41.08
CFGT50	2.8mm x 50mm Length	Ring	FirmaGalv	3300	£45.08
CBRT63	2.8mm x 63mm Length	Ring	Bright	3300	£46.43
CFGT63	2.8mm x 63mm Length	Ring	FirmaGalv	3300	£49.22
CPLT63	2.8mm x 63mm Length	Ring	FirmaGalv Plus	3300	£50.18
CPLT63R	3.1mm x 63mm Length	Ring	FirmaGalv Plus	3300	£66.28
CBRT75	3.1mm x 75mm Length	Ring	Bright	2200	£45.42
CFGT75	3.1mm x 75mm Length	Ring	FirmaGalv	2200	£48.98
CPLT75	3.1mm x 75mm Length	Ring	FirmaGalv Plus	2200	£49.93
CBRT90	3.1mm x 90mm Length	Plain	Bright	2200	£44.08
CFGT90	3.1mm x 90mm Length	Plain	FirmaGalv	2200	£50.12
CPLT90	3.1mm x 90mm Length	Plain	FirmaGalv Plus	2200	£51.80

Coating Specification	Service Class 1	Service Class 2	Service Class 3
Bright (BR) Suitable for indoor use.	✓		
FirmaGalv Electro galvanised plating, suitable for indoor and covered outdoor application.	✓		
FirmaGalv Plus Electro galvanised plating with 12 microns of zinc (Min), suitable for indoor and covered outdoor applications. Conforms to eurocode 5 and service class 2.	✓	✓	
Hot Dipped Galvanised (HDGV) 43 microns of plating, suitable for external applications.	✓	✓	✓
A2 Stainless Steel For high levels of corrosion resistance and use in hardwood.	✓	✓	✓

Stainless steel must be used where there is a corrosive environment and/or where the base material has inherent corrosive characteristics, eg. green oak or cedar

FirmaHold First Fix Nail & Gas Packs

FIRMAHOLD FIRST FIX NAIL & GAS PACKS



FirmaHold First Fix Nail & Gas Packs
Nails per Strip: 44
Collation Angle: 34
Conforms to EN792-13:2000 7.2.1A
Quality Nails Suitable for the Following Nail Guns...

Paslode **IM350, IM350+**, Hitachi **NR90GC2**, Bostitch **GF33PT-U**, Makita **GN900S**, Senco **GT90CH**, Rawl **WW90CH**

Part No	Details	Shank	Coating	Nails	Gas	Price
CFGR63G	2.8mm x 63mm Length	Ring	FirmaGalv	1100	1	£27.88
CFGR75G	3.1mm x 75mm Length	Ring	FirmaGalv	1100	1	£33.84
CFGR90G	3.1mm x 90mm Length	Plain	FirmaGalv	1100	1	£36.41
CSSR50G	2.8mm x 50mm Length	Ring	A2 SS	1100	1	£86.80
CSSR63G	2.8mm x 63mm Length	Ring	A2 SS	1100	1	£99.40
CBRT50G	2.8mm x 50mm Length	Ring	Bright Coating	3300	3	£65.20
CFGT50G	2.8mm x 50mm Length	Ring	FirmaGalv	3300	3	£69.20
CBRT63G	2.8mm x 63mm Length	Ring	Bright	3300	3	£70.55
CFGT63G	2.8mm x 63mm Length	Ring	FirmaGalv	3300	3	£73.33
CPLT63G	2.8mm x 63mm Length	Ring	FirmaGalv Plus	3300	3	£74.27
CPLT63RG	3.1mm x 63mm Length	Ring	FirmaGalv Plus	3300	3	£86.80
CBRT75G	3.1mm x 75mm Length	Ring	Bright	2200	2	£61.48
CFGT75G	3.1mm x 75mm Length	Ring	FirmaGalv	2200	2	£65.05
CPLT75G	3.1mm x 75mm Length	Ring	FirmaGalv Plus	2200	2	£66.05
CHDT75G	3.1mm x 75mm Length	Ring	HDGV	2200	2	£82.15
CBRT90G	3.1mm x 90mm Length	Plain	Bright	2200	2	£60.17
CFGT90G	3.1mm x 90mm Length	Plain	FirmaGalv	2200	2	£66.18
CPLT90G	3.1mm x 90mm Length	Plain	FirmaGalv Plus	2200	2	£67.92
CPLT90PG	3.1mm x 90mm Length	Part Ring	FirmaGalv Plus	2200	2	£68.32
CHDT90G	3.1mm x 90mm Length	Plain	HDGV	2200	2	£86.30

FIRMAHOLD MINI GAS PACK

Suits Paslode **IM65, IM65A, IM50**, Hitachi **NT65GS, NT65GB**, Bostitch **GFN1664K-E, GFN1664K**
Yellow Valve
30ml Cartridge - 2 Pack
Alternative to 904 0030



Part No.	Price
BFC	£16.10

FIRMAHOLD STANDARD GAS

Suits Paslode **IM350, IM350+**, Hitachi **NR90GC2**, Bostitch **GF33PT-U**, Makita **GN900S**, Senco **GT90CH**, Rawl **WW90CH**
Red/Pink Valve
80ml Cartridge - 2 Pack
Alternative to 904 0031



Part No.	Price
CFC	£17.75

FirmaHold Nail & Gas Packs (16 Gauge)



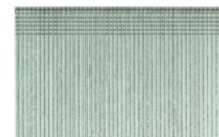
16 GAUGE STRAIGHT NAIL PACKS

FirmaHold Second Fix Straight 16 Gauge Brad Nail Packs

Nails per Strip: 50

Quality Nails Suitable for the Following Nail Guns...

Paslode **IM65**, Hitachi **NT65GS**, Bostitch **GFN1664K-E**, **GFN1664K** (25-64mm),
DeWalt **DC616KB**



Part No	Details	Collation Angle	Coating	Nails	Price
BG1619	16 Gauge x 19mm Length	Straight	Galvanised	2000	£5.13
BG1625	16 Gauge x 25mm Length	Straight	Galvanised	2000	£5.90
BG1632	16 Gauge x 32mm Length	Straight	Galvanised	2000	£6.93
BG1638	16 Gauge x 38mm Length	Straight	Galvanised	2000	£7.58
BG1645	16 Gauge x 45mm Length	Straight	Galvanised	2000	£8.82
BG1650	16 Gauge x 50mm Length	Straight	Galvanised	2000	£9.72
BG1664	16 Gauge x 64mm Length	Straight	Galvanised	2000	£11.90
BSS1638	16 Gauge x 38mm Length	Straight	A2 SS	2000	£35.17
BSS1650	16 Gauge x 50mm Length	Straight	A2 SS	2000	£43.20



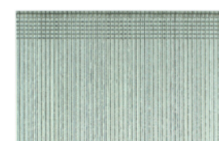
16 GAUGE STRAIGHT NAIL & GAS PACKS

FirmaHold Second Fix Straight 16 Gauge Brad Nail & Gas Packs

Nails per Strip: 50

Quality Nails Suitable for the Following Nail Guns...

Paslode **IM65**, Hitachi **NT65GS**, Bostitch **GFN1664K-E**, **GFN1664K** (25-64mm)



Part No	Details	Collation Angle	Coating	Nails	Gas	Price
BG1619G	16 Gauge x 19mm Length	Straight	Galvanised	2000	2	£21.07
BG1625G	16 Gauge x 25mm Length	Straight	Galvanised	2000	2	£22.00
BG1632G	16 Gauge x 32mm Length	Straight	Galvanised	2000	2	£22.82
BG1638G	16 Gauge x 38mm Length	Straight	Galvanised	2000	2	£23.65
BG1645G	16 Gauge x 45mm Length	Straight	Galvanised	2000	2	£25.02
BG1650G	16 Gauge x 50mm Length	Straight	Galvanised	2000	2	£26.12
BG1664G	16 Gauge x 64mm Length	Straight	Galvanised	2000	2	£27.77
BSS1638G	16 Gauge x 38mm Length	Straight	A2 SS	2000	2	£49.40
BSS1650G	16 Gauge x 50mm Length	Straight	A2 SS	2000	2	£58.47



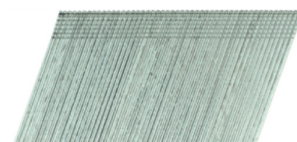
16 GAUGE ANGLED NAIL PACKS

FirmaHold Second Fix Angled 16 Gauge Brad Nail Packs

Nails per Strip: 50

Quality Nails Suitable for the Following Nail Guns...

Paslode **IM65A**, Hitachi **NT65GB**, DeWalt **DC618KB**, **DCN660D2**,
DCN660DN-XJ, **DCN660P2**



Part No	Details	Collation Angle	Coating	Nails	Price
ABG1632	16 Gauge x 32mm Length	20	Galvanised	2000	£8.27
ABG1638	16 Gauge x 38mm Length	20	Galvanised	2000	£9.20
ABG1645	16 Gauge x 45mm Length	20	Galvanised	2000	£10.12
ABG1650	16 Gauge x 50mm Length	20	Galvanised	2000	£11.22
ABG1664	16 Gauge x 64mm Length	20	Galvanised	2000	£12.92
ABSS1638	16 Gauge x 38mm Length	20	A2 SS	2000	£43.20
ABSS1650	16 Gauge x 50mm Length	20	A2 SS	2000	£56.47

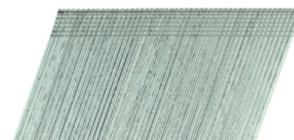
Firmahold Nail & Gas Packs - IM65a (16 Gauge) & 18 Gauge



16 GAUGE ANGLED NAIL & GAS PACKS

FirmaHold Second Fix Angled 16 Gauge Brad Nail & Gas Packs
Nails per Strip: 50
Quality Nails Suitable for the Following Nail Guns...

Paslode **IM65A**, Hitachi **NT65GB**



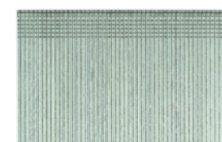
Part No	Details	Collation Angle	Coating	Nails	Gas	Price
ABG1632G	16 Gauge x 32mm Length	20	Galvanised	2000	2	£24.47
ABG1638G	16 Gauge x 38mm Length	20	Galvanised	2000	2	£25.42
ABG1645G	16 Gauge x 45mm Length	20	Galvanised	2000	2	£26.33
ABG1650G	16 Gauge x 50mm Length	20	Galvanised	2000	2	£27.38
ABG1664G	16 Gauge x 64mm Length	20	Galvanised	2000	2	£29.05
ABSS1638G	16 Gauge x 38mm Length	20	A2 SS	2000	2	£58.37
ABSS1650G	16 Gauge x 50mm Length	20	A2 SS	2000	2	£71.63



18 GAUGE STRAIGHT NAIL PACKS

FirmaHold Second Fix Straight 18 Gauge Brad Nail Packs
Nails per Strip: 100
Quality Nails Suitable for the Following Nail Guns...

Paslode **IM50**



Part No	Details	Collation Angle	Coating	Nails	Price
BG1816	18 Gauge x 16mm Length	Straight	Galvanised	5000	£7.03
BG1819	18 Gauge x 19mm Length	Straight	Galvanised	5000	£8.02
BG1825	18 Gauge x 25mm Length	Straight	Galvanised	5000	£9.85
BG1832	18 Gauge x 32mm Length	Straight	Galvanised	5000	£12.13
BG1838	18 Gauge x 38mm Length	Straight	Galvanised	5000	£14.00
BG1845	18 Gauge x 45mm Length	Straight	Galvanised	5000	£16.23
BG1850	18 Gauge x 50mm Length	Straight	Galvanised	5000	£17.95

IMPULSE MINI FUEL CELL PACK



Paslode Impulse Mini Fuel Cell
Blister Pack - Yellow Valve
Series
For use with the IM65 and IM65a
2 Fuel Cells



Part No.	Price
904 0030	£54.52

IMPULSE STD FUEL CELL PACK



Paslode Impulse Standard Fuel
Cell Blister Pack - Pink Valve
Series
For use with the IM350 & IM350+
2 Fuel Cells



Part No.	Price
904 0031	£54.52

FIRMAHOLD MINI GAS PACK



Suits Paslode **IM65**, **IM65A**, **IM50**, Hitachi
NT65GS, **NT65GB**, Bostitch **GFN1664K-E**,
GFN1664K
Yellow Valve
30ml Cartridge - 2 Pack
Alternative to 904 0030

Part No.	Price
BFC	£16.10

FIRMAHOLD STANDARD GAS



Suits Paslode **IM350**, **IM350+**, Hitachi
NR90GC2, Bostitch **GF33PT-U**, Makita
GN900S, Senco **GT90CH**, Rawl **WW90CH**
Red/Pink Valve
80ml Cartridge - 2 Pack
Alternative to 904 0031

Part No.	Price
CFC	£17.75

Generac VT1 Tower Light Spares

Metal Halide Lamp 1000w	Lamp Head Metal Halide (Gewiss)	N/G Service Kit	Lamp Head Metal Halide (Disano)	Replacement Lens/Glass (4mm) to suit 907 0004
907 0001 £48.50	907 0002 NLA	120 001 £42.45	907 0004 £566.00	907 0005 NLA
Lamp Head Adjusting Lever	Generator Capacitor 40uf	Mast Motor Capacitor 25uf	Lamp Trip Switch 16amp	Undervoltage Trip 230v (suits 907 0101)
907 0006 £9.78	907 0010 £42.18	907 0086 £12.86	907 0101 £20.47	907 0015 £63.84
40 Amp Twin Pole RCD Switch	Lamp Ignitor 1000w Halide	Mast Lever Toggle Switch Contacts (2 Per Switch)	Soft Start LED Type Lamp Head Inverter	10 Amp Trip Switch
907 0014 £49.13	907 0009 £39.41	907 0020 £24.84	907 0008 £455.40	907 0052 £4.85
Spirit Level Bubble/Gauge	Switch Box Cover IP-65 Rated	Analogue Hour Meter	Emergency Stop Switch (New Style)	Mast Lowering/Release Solenoid Valve
907 0027 £4.98	907 0050 £24.83	907 0021 £23.11	907 0018 £29.82	907 0025 £283.70
Fuel Gauge Round Style	Hydraulic Mast Toggle Switch/Lever	Ignition Switch, Kubota Type (incl. 2 x DD Keys)	DD Key	CH503 Replacement Panel Key
907 0022 £46.07	907 0019 £86.40	907 0017 £70.26	DD £1.89	CH503 £1.35

Generac VT1 Lighting Tower Spares



Mast Lift Cables to suit
VT1 Tower Lights
2008 Onwards

Part No.	Length	Position	OEM	Price
907 0028	1470mm	4	10392	£18.61
907 0029	1450mm	5	10391	£29.42
907 0030	1430mm	6	10390	£14.80
907 0031	1420mm	7	10389	£14.80
907 0032	1400mm	8	10388	£14.80
907 0033	1475mm	9	10387	£29.34
907 0034	1460mm	10	10386	£14.80
500 129	Trailer Breakaway Cable			£1.95

Front Stabiliser/ Support Jack	Telescopic Stabiliser Arm	Rear Prop Stand/Leg		
907 0090 £128.20	907 0036 POA	907 0037 £31.52		
Plate Mounted Retractable Jockey Wheel	Cast Clamp C/W Lever & Pad 42mm	Pressed Steel PD2 Jockey Leg Bracket 43mm		
907 0040 £114.00	907 0039 £12.05	800 197 £4.80		
Brake Shoe Kit 200x50mm (Per Wheel)	Aluminium 7-Pin Caravan & Trailer Plug	Plastic 7-Pin Trailer Plug 12v	Aluminium 7-Pin Caravan & Trailer Socket	Plastic 7-Pin Trailer Socket 12v
907 0035 £47.50	200 112 £2.80	200 110 £1.55	200 113 £3.30	200 111 £1.70
12v 6 Function Lamp Horizontal Type	50mm Unbraked Pressed Steel Ball Hitch Coupling	Spring Bolt 12.5x165mm	12 Volt Electric Diesel Primer Pump	Alternator replaces Kubota 16231-24011
802 178 L/Hand £11.50 802 179 R/Hand £11.50	800 189 £16.58	907 0026 £14.18	080 200 £68.90	080 208 £121.50
Inner Air Filter	Air Filter Element Cylinder Type	Spin On Fuel Filter	Diesel Inline Filter - Medium, Red	Spin On Oil Filter
LA1543 £19.20	LA1531 £15.80	LF828 £5.20	700 017 £1.45	LO999 £5.50

Generac VT2 Lighting Tower Spares

Replacement Ignition/ Starter On/Off Key	Gewiss Metal Halide 400w Lamp Grey Hood	Replacement Lens/Glass for 907 0042	Cariboni Metal Halide 400w Lamp Black Hood	Replacement Lens/Glass for 907 0097
AUSA 2 £1.60	907 0042 £112.70	907 0098 £33.27	907 0097 NLA	907 0096 £15.48
Blade Fuse Holder (10pk) Splashproof Casing	Lamp Ballast 400w IP66	Fuel Injector for Yanmar L100AE	Fuel Pump for Yanmar L100AE	Starter Motor
235 254 £18.92	907 0059 £75.76	320 014 £28.00	320 009 £34.00	320 006 £55.00
Circuit Breaker Double Pole 25amp	Lamp Trip Switch 16amp	Circuit Breaker Double Pole 16amp	Earth Leakage Circuit Breaker RCD 25amp	10 Amp Trip Switch
907 0048 £24.34	907 0101 £20.47	907 0047 £30.52	907 0049 £45.37	907 0052 £4.85
				Breaker Button Cover
				907 0024 £0.85
Fuel Level Monitor, In Tank	Switch Box Cover IP-65 Rated	Analogue Hour Meter 110v 1P-65	Fuel Gauge Round Style	Ignition Key for Generac VT2 Tower Light
907 0056 £42.18	907 0050 £24.83	907 0051 £12.57	907 0022 £46.07	907 0066 £1.89
Spring Bolt 12.5x165mm	Manual Mast Winch	Fuel Filter, Cartridge Type for Yanmar L100	Oval Air Filter for Yanmar L100AE	Oil Strainer for Yanmar L100
907 0026 £14.18	907 0057 £165.00	LF463 £5.50	LA1376 £8.50	P390 £5.10

Generac VB9 Lighting Tower Spares



www.lengineers.co.uk
Please visit us online for more parts.

			
Mast Lowering/Release Solenoid Valve	Warning Label Set	Replacement Lens/Glass for 907 0061 & 907 0063	Ignitor & Ballast Unit (New Type Eurolight)
907 0025 £283.70	907 0104 £20.92	907 0062 NLA	907 0065 NLA
			
Hatz Air Filter	Hatz Inline Fuel Filter	Fuel Filter	12v Regulator 6-Wire
50426000 £12.25	50478800 £7.25	LF4015 £4.00	01983800 £129.00
			
Lamp Trip Switch 16amp	40 Amp Twin Pole RCD Switch	Emergency Stop Switch (New Style)	Lowering Lever & Switch Kit (Lovato)
907 0101 £20.47	907 0014 £49.13	907 0018 £29.82	907 0069 £57.85
			
Spirit Level Bubble/Gauge	Switch Box Cover IP-65 Rated	Generator Capacitor 25uf 450v	Mast Motor Capacitor 25uf
907 0027 £4.98	907 0050 £24.83	907 0077 £32.36	907 0086 £12.86
			
4 Position Ignition Switch c/w 2 x 14644 Keys	14644 Key	CH503 Replacement Panel Key	Fuel Gauge Round Style
200 156 £33.00	14644 £1.50	CH503 £1.35	907 0022 £46.07
			
Fuel Level Monitor, In Tank			
907 0076 £49.67			

Generac VB9 Lighting Tower Spares

				
Telescopic Stabiliser Arm	Front Stabiliser/Support Jack	Jockey Wheel Assembly 48mm Dia	Plate Mounted Retractable Jockey Wheel Assy	Pressed Steel PD2 Jockey Leg Bracket 43mm
907 0088 £76.80	907 0090 £128.20	907 0087 £96.90	907 0093 £153.10	800 197 £4.80
				
12v 6 Function Lamp Left Hand Horizontal Type	12v 6 Function Lamp Right Hand Horizontal Type	Spring Bolt 12.5x165mm	Spring Bolt 12.5x165mm	Gas Strut 600x560x250mm 350N c/w Eye Ends
802 178 £11.50	802 179 £11.50	907 0026 £14.18	907 0085 £10.33	907 0091 £29.29
				
Aluminium 7-Pin Caravan & Trailer Socket	Aluminium 7-Pin Caravan & Trailer Plug	Plastic 7-Pin Trailer Plug 12v	Plastic 7-Pin Trailer Socket 12v	230v 16A Single Phase Surface Mounted Socket
200 113 £3.30	200 112 £2.80	200 110 £1.55	200 111 £1.70	907 0072 £14.13

Generac Lighting Tower Spares

				
VT1 Metal Halide Lamp 1000w	VT2 Gewiss Metal Halide 400w Lamp Grey Hood	Replacement Lens/Glass for 907 0042	VT2 Cariboni Metal Halide 400w Lamp Black Hood	Replacement Lens/Glass for 907 0097
907 0001 £48.50	907 0042 £112.70	907 0098 £33.27	907 0097 NLA	907 0096 £15.48
				
320W LED Black Flood Light, Driver & Bracket V20	Replacement Glass for 907 0114	300W LED Black Flood Light IQ20	150W LED Black Flood Light VT Hybrid	185W LED Flood Light W/ Support & Driver Link Tower
907 0114 £554.00	907 0109 £58.37	907 0110 £464.00	907 0111 £355.50	907 0112 £572.00

Dumper Gearbox Spares

Selector Fork 1st And Reverse for Newage 40M	Selector Fork 2nd And 3rd for Newage 40M Gearbox	Detent Ball (ea) CM1077 £13.00	Interlock Plate for Newage 40M Gearbox	Selector Shaft for Newage 40M Gearbox
30101A0252 £199.50	30101A0227 £203.60	Detent Spring (ea) CM2013 £8.57	30101A0276 £28.28	40M135 £62.23
Gasket Set for Newage 40M2S Gearbox	Gear Lever for 40M Gearbox	Rubber Gearstick Boot for Newage Gearbox	Metal Gearstick Boot Cover	Gearstick Knob 3 Forward, 1 Reverse
40M421 £15.77	40M852 £99.80	T4549 £16.12	40M377 £45.58	T4547 £8.33
Gear Knob with 4 Position Sticker	Clutch Release Bearing c/w Clips	9.5" Clutch Kit Later Type	Clutch Release Bearing Later Type	Flywheel Bush for Newage Gearbox
T3694 £7.08	T6551 £23.62 109 113 Clips (ea) £1.65	109 111 £156.60	109 112 £36.50	40M198 £3.29
Clutch Release Fork for Newage 40M Gearbox	Cotter Pin for Clutch Release Fork	Cross Shaft Bush for Newage 40M Gearbox	Cross Shaft for Newage 40M Gearbox	44mm Oil Seal for Newage 40M Gearbox
CM2083 £142.90	CM2084 £8.95	CM2179 £20.58	30101A2255 £85.10	40M150 £9.09
38mm Oil Seal for Newage 85M Gearbox	64mm Oil Seal for Newage 40M & 85M Gearbox	Gear Lever Spring for Newage Gearbox	Gear Lever Retainer for Newage Gearbox	Gear Lever Pad for Newage Gearbox
0400163 £9.90	40M167 £5.82	40M367 £6.55	40M245 £9.10	40M254 £12.30
Layshaft Bearing for Newage Gearbox	Needle Bearing for 40M Gearbox	62mm Main Shaft Bearing for 40M Gearbox	72mm Main Shaft Bearing for 40M Gearbox	52mm Layshaft Bearing for 40M Gearbox
30101A0267 £9.93	40M513 £12.58	88S16F £20.31	88S06E £21.48	88S04E £21.77

Dumper Clutch & Steering Spares



Dumper Clutches

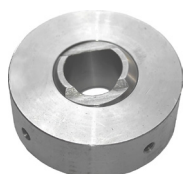
Part No.	Plate Dia	Application	Price
109 108	8"	Clutch Kit – Thwaites, Winget, 2WD	£313.20
109 118	8"	Plate Only	£111.30
109 109	9"	Clutch Kit - 4WD Dumpers	£155.00
40496	9"	Plate Only	£68.02

14" Steering Wheel Splined	700mm Steering Column for Thwaites Dumpers	Steering Column for Later Thwaites Dumpers	Steering Column for Winget Dumpers - 145mm	Steering Column Top Nut (fits 314K)
314K £34.50	T8457 £200.90	T100015 £124.70	CSE1781 £62.64	T11809 £2.30
Steering Wheel Spinners	2" Cage Bearing & Cup for Marles 462 Steering Box	2.5" Cage Bearing & Cup for Marles 562 Steering Box	Top Column Rubber Bush for Marles 462 Box	Top Column Rubber Bush for Marles 562 Box
637 Straight £5.20 643 Angled £6.43	P2490 £49.73	P2733 £70.42	P4129 £29.13	P4081 £39.10
Sleeve for P3690, P3691, P3688, P3689 Steering Boxes	Sleeve for P4081 (Marles 562 Box)	Cross Shaft Oil Seal for Marles 462 Box	Cross Shaft Oil Seal for Marles 562 Box	Cover Plate Bush for Marles 462 & 562 Boxes
P367500 £16.35	P4095 £13.60	P9925 £10.50	P9242 £11.50	P3676 £21.50
Rocker Shaft Bush for Marles 462 Box	Rocker Shaft Bush for Marles 562 Box	Rocker Shaft Shim 0.005" for 462 & 532 Boxes	Base Plate Shim Set for Marles 462 Steering Box	Base Plate Shim Set for Marles 562 Steering Box
P2433 £10.30	P3309 £14.50	P249005 £4.40	Shims sold individually Contact us for price	Shims sold individually Contact us for price

Dumper Steering Spares



Steering Ram Piston Rods c/w Housing & Bearing		
Part No.	Application	Price
T7581	Thwaites 4000 Series (2 ton) & 6000 Series (2.5 ton)	£158.50
T10896	Thwaites 7000 Series (3 ton) & 9000 Series (4 ton)	£166.40
T2161	Thwaites 5-6 ton Dumpers	£242.60



Bearing Housings c/w Bearing for Steering Ram Ends			
Part No.	Size	Application	Price
T7581H	O/D: 76mm x Height: 25mm	Housing for T7581 & T10896	£97.50
T2162H	O/D: 89mm x Height: 28mm	Housing for T2161	£108.35



Spherical Bearing Only for Steering Ram Ends			
Part No.	Size	Application	Price
T7582	O/D: 44mm x Height: 32mm	Bearing for T7581H	£42.00
T2162	O/D: 54mm x Height: 38mm	Bearing for T2162H	£53.00



Steering Ram Seal Kits			
Part No.	Size	Application	Price
T7583	O/D: 50mm	Seal Kit For T7581 & T10896	£17.40
T2212	O/D: 75mm	Seal Kit for T2161	£32.22
CSE204	-	Steering Ram Seal Kit fits most Winget Dumpers	£36.30



Steering Ram Pins			
Part No.	Size	Application	Price
T10800	25mm x 98mm	Rear Pin for Thwaites 4000 6000 7000 9000	£34.70
T13177	32mm x 115mm	Front Pin for Thwaites 4, 5, 6 ton	£35.60
T13178	32mm x 134mm	Rear Pin for Thwaites 4, 5, 6 ton	£37.30



Steering Ram/Centre Pivot Bearing Dust Seal			
Part No.	Size	Application	Price
T10160	32mm x 65mm	Thwaites 4 Wheel Drive Dumpers	£10.30



Ball Joints			Part No.	Size	Price
			800 208	6mm Left Hand	£3.10
			800 209	8mm Left Hand	£5.20
			800 202	6mm	£2.80
			800 204	8mm	£3.00
			800 206	10mm	£4.50
			800 207	12mm	£5.60
			800 200	1/4" BSF	£2.80
			800 201	1/4" UNF	£2.90
			800 203	5/16" UNF	£3.00
			800 205	3/8" UNF	£4.50

Dumper Centre Pivot Kits

Top Kit fits Thwaites 3000, 4000(ii), 6000(iii), 7000(iii), 9000(iii) & Alldrive 4 tonne	Top Kit with Kingpin fits Thwaites 3000, 4000(ii), 6000(iii), 7000(iii), 9000(iii) & Alldrive 4T	Bottom Kit fits Thwaites 3000, 4000(ii), 6000(iii), 7000(iii), 9000(iii)	Bottom Kit fits Thwaites Alldrive 4 tonne	Top Kit fits Thwaites 5-9 Ton Dumpers built before April 2001
109 129 £337.10	109 128 £327.60	109 135 £228.80	109 127 £195.30	109 131 £368.00
Bottom Kit fits Thwaites 5-9 ton Dumpers built before April 2001	Top Kit fits Thwaites 5-9 ton Dumpers built between 2001 & 2006 (50mm Pin)	Bottom Kit fits Thwaites 5-9 ton Dumpers built between 2001 & 2006 (50mm Pin)	Top Kit fits Benford 2-3 Ton Dumpers & 5-6 ton Dumpers built before 1998	Middle Kit fits Benford 2-3 ton Dumpers
109 132 £265.90	109 124 £395.00	109 123 £299.60	109 220 £243.20	109 244 £117.50
Bottom Kit fits Benford 2-3 ton Dumpers	Middle Kit fits Benford 5-6 ton Dumpers built before 1998	Bottom Kit fits Benford 5-6 ton Dumpers built before 1998	Top Kit fits Benford 5-10 ton Dumpers built after 1998	Middle Kit fits Benford 5-7 ton Dumpers built after 1998
109 245 £318.90	109 230 £133.30	109 240 £331.40	109 126 £438.00	109 241 £151.40
Bottom Kit fits Benford 5-10 ton Dumpers built after 1998	Middle Kit fits Benford 9-10 ton dumpers built after 1998	Top Kit fits Barford 4-9 ton Dumpers	Bottom Kit fits Barford 4-9 ton Dumpers	Centre Pivot Bearing fits most Winget Dumpers (please contact us for other Winget parts)
109 125 £399.80	109 242 £362.00	109 122 £294.30	109 121 £274.10	460214 £25.37

Centre Pivot Kits

Kits and individual bearings, pins etc. are available for most Thwaites, Benford/Terex, Barford & Winget dumpers. Please contact us if you don't see your model listed here.

Dumper Chassis Spares

Universal Joint Kits



Includes 4 Needle Cup Bearings, Circlips & Grease Nipple
Fits a wide range of Dumpers, Diggers, Rollers & other plant

Part No.	Bearing Cup O/D	Width (inc. bearing)	Hardy Spicer	Price
T6467	24mm	62mm	HS194	£18.51
T6587	27mm	82mm	HS166	£23.36
T8670	30mm	108mm	HS179	£42.67
T14598	35mm	109mm	HS183	£63.05

Lap Seat Belt Standard Type	Lap Seat Belt Retractable Type	Retractable Seat Belt with Switch & Wire	Lap Belt with Extension Bracket & Wire	Thwaites Exhaust Mount
800 272 £15.50	800 273 £23.50	800 280 £28.50	800 286 £20.70	T11423 £5.80
Left Hand Hinge Plate fits Thwaites Dumpers	Right Hand Hinge Plate fits Thwaites Dumpers	Bonnet Hinge for Thwaites Dumpers	Bonnet Hinge Pin Thwaites Dumpers	Skip Pivot Pin for Winget Dumpers
T14520 £43.75	T14519 £49.00	T14239 £37.10	T9865 £8.40	10470A02 £20.60
Towing Bracket 45mm Hole Centres	Towing Bracket 150mm Hole Centres	Diesel/Hydraulic Tank Filter - Winget Dumpers	Bonnet Retainer Male (Suits M6 Bolt)	Bonnet Retainer Female (Suits M6 Bolt)
T8183 £50.31	T10473 £105.00	10379A03 £28.56	0666/002 £0.26	0666/001 £1.40
Engine Mount for Thwaites Dumpers	Engine Mount for Thwaites / JCB 111/30101	Spherical Centre Pivot Bearing - Winget Dumpers	Tipping Knob for Dumpers	Long Clevis & Spring Pin (Each)
T104078 £46.30	T13329 £12.50	460214 £25.37	T7542 £4.15	554 624 M6 NLA
				554 832 M8 NLA
				554 140 M10 NLA

Seats

VS12 Semi Suspension Dumper Seats



Suits a wide range of plant including Dumpers, Rollers, Diggers etc.
Supplied complete with runners
Seat has been tested and conforms to ISO 6683 15KN

Seat Width: 480mm
Runner Centres (adjustable): 150-328mm

Part No.	Description	Price
800 270	VS12 Seat c/w Runners	£115.00
800 271	VS12S Seat c/w Runners & Deadman Switch	£124.00

Seat Runners Universal	Arm Rests for VS12 Dumper Seats	Cushion Only for VS12 Dumper Seat	Back Only for VS12 Dumper Seat	Deadman Switch for VS12 Dumper Seat
800 262 (pair) £27.00	800 274 (pair) £67.00	801 200 £46.82	800 210 £40.63	800 263 £12.70

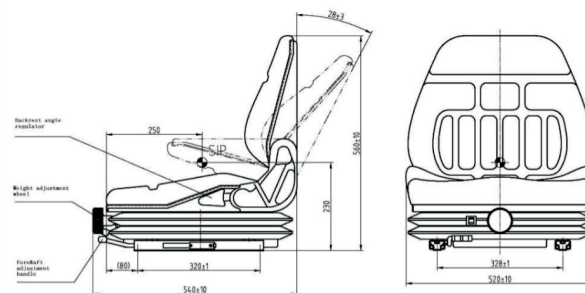
Low Profile Mechanical Suspension Seat PVC



Low Profile Mechanical Suspension Seat
Suitable For Rollers And Dumpers

Heavy Duty PVC
Foldable And Adjustable Backrest
Operator Presence Switch

Suspension Travel: 50mm
Slide Rail Travel: 150mm
Weight Adjustment: 50-120kg

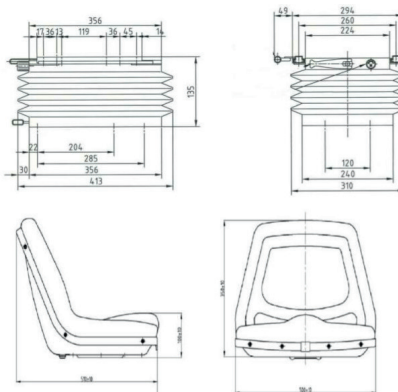


Part No.	Description	Price
084 250	Low Profile Mechanical Suspension Seat PVC	£246.00

Mechanical Suspension Seat

To Suit Most Mini Excavators
PVC Trim & Seat Pan
Backrest Angle Adjustment
One Piece Foam Seat With Drainage
Water And Weather Proof
Multi-hole Mounting Pattern

Seat Width: 500mm
Suspension Travel: 100mm
Slide Rail Travel: 150 mm
Height Adjustment: 60mm
Weight Adjustment: 50-120kg



Part No.	Description	Price
084 560	Mechanical Suspension Seat	£282.90

Seats



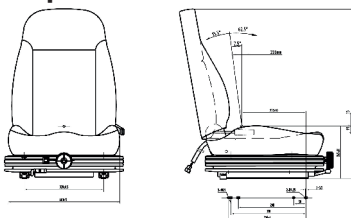
Mechanical Suspension Seat

Left Hand Mechanisms
Suitable for Most Telehandlers
Mechanical Suspension
Backrest Angle Adjustment
Fabric Trim
Suspension Stroke: 45mm
Slide Rail Travel: 150mm
Weight Adjustment: 50-130kg
Please Note: Head Rest Not Included

Part No.	Description	Price
084 085	Mechanical Suspension Seat (Without Head Rest)	£227.60
084 097	Separate Head Rest	£32.50

Low Profile Mechanical Suspension Seat

Mechanical Suspension
Backrest Angle Adjustment
Fabric Trim
Suspension Stroke: 45mm
Slide Rail Travel: 150mm
Weight Adjustment: 50-130kg



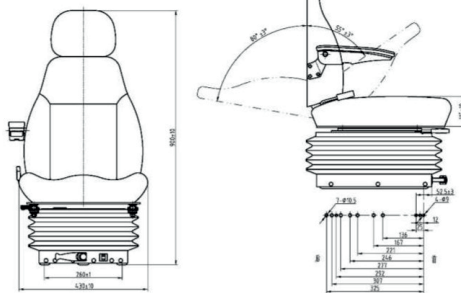
Suitable for Hitachi ZX14, ZX16 Diggers

Part No.	Description	Price
084 251	Low Profile Mechanical Suspension Seat	£246.40



Mechanical Suspension Seat

Suitable for Most Mini Excavators,
Telehandlers and Backhoe Loaders.
Mechanical Suspension
Fabric Trim
Weight Adjustment
Backrest Angle Adjustment
Lumbar Support
Suspension Travel: 90mm
Slide Rail Travel: 150mm
3 Stage Height Adjustment: 60mm

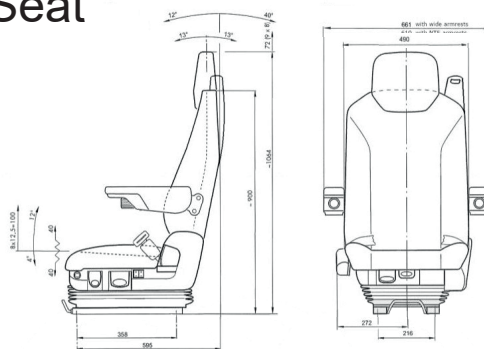


Please Note: Seat Belt Not Included

Part No.	Description	Price
084 085	Mechanical Suspension Seat	£227.60

Luxury Truck ISRI Air Seat

Comfort Version (Right Hand)
Air Suspended, Up To 150 Kg, Fully Automatic
Height And Tilt Adjustment
Double Locking Slide Rails
3-Point Seatbelt (ECE 17 Approved)
Adjustable Shock Absorber
Entry and Exit Rapid Descent Button
Adjustable Backrest
Double Lumbar Support
Adjustable Headrest
Seat Depth Adjustment
Anthracite/Grey with Fine Silver Stripes
Suspension Travel: 100mm



Part No.	Description	Price
686 870	Luxury Truck ISRI Air Seat	£952.00

Seat Covers

UNIVERSAL BLACK COVER



Universal Single Standard
Front Seat Cover

Black Colour

Part No.	Price
987 080	£23.95

LARGER STRETCH SEAT COVER



Universal Stretch Seat Cover
Extra Stretch for Larger Seats

Black Colour

Part No.	Price
987 079	£48.58

LARGER STRETCH SEAT COVER



Universal Stretch Seat Cover
Extra Stretch for Larger Seats

Grey Colour

Part No.	Price
987 077	£47.64

MINI SEAT COVER - BLACK



Universal Tractor / Mini Plant
Seat Cover

Black Colour

Part No.	Price
987 083	£34.89

DELUXE SEAT COVER - BLACK

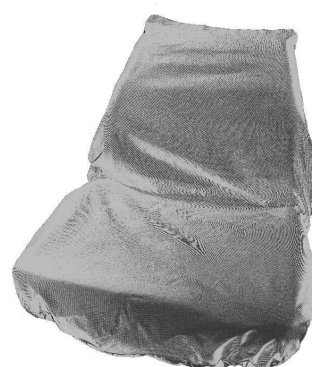


Deluxe Universal Tractor / Mini
Plant Seat Cover
Accommodates Arms

Black Colour

Part No.	Price
987 785	£44.08

MINI SEAT COVER - GREY



Universal Tractor / Mini Plant
Seat Cover

Grey Colour

Part No.	Price
987 086	£39.84

DELUXE SEAT COVER - GREY



Deluxe Universal Tractor / Mini
Plant Seat Cover
Accommodates Arms

Grey Colour

Part No.	Price
987 087	£41.58

DELUXE COVER - GREEN



Deluxe Universal Tractor / Mini
Plant Seat Cover
Accommodates Arms

Green Colour

Part No.	Price
987 078	£25.38

Static Seat Belt Warning Systems

				
Dual Beacon Weld On Spigot Non Retractable Seat Belt Kit	Dual Beacon Twin Bolt On Spigot Non Retractable Seat Belt Kit	Dual Beacon Side Mount Spigot Non Retractable Seat Belt Kit	Dual Beacon Bolt On Spigot Non Retractable Seat Belt Kit	Dual Beacon Folding Spigot Non Retractable Seat Belt Kit
308 343 £60.42	308 344 £58.57	308 345 £58.57	308 346 £59.90	308 347 £60.07
				
Static Seat Belt Warning System LED Flexi DIN Beacon c/w Weld On Spigot	Static Seat Belt Warning System LED Flexi DIN Beacon c/w Twin Bolt On Spigot	Static Seat Belt Warning System LED Flexi DIN Beacon c/w Side Mount Spigot	Static Seat Belt Warning System LED Flexi DIN Beacon c/w Bolt On Spigot	Static Seat Belt Warning System LED Flexi DIN Beacon c/w Folding Spigot
308 200 £46.25	308 201 £45.65	308 202 £44.40	308 203 £45.73	308 204 £46.30
				
Green LED Static Seat Belt Warning Kit Single Bolt Beacon	Green LED Static Seat Belt Warning Kit Magnetic Beacon	Green LED Static Seat Belt Warning Kit Three Bolt Beacon	Green Xenon Static Seat Belt Warning Kit Three Bolt Beacon	Magnetic Dual Beacon Non Retractable Seat Belt Kit
308 232 £41.58	308 231 £38.33	308 230 £46.64	308 220 NLA	308 348 £52.33
				
Single Bolt Dual Beacon Non Retractable Seat Belt Kit	Lap Belt with Extension Bracket & Wire	Replacement Insert for DIN/Spigot Beacon Mounts	Durite Power Socket w/ Cover, 20A	Cigarette Lighter Plug
308 349 £54.23	800 286 £20.70	760 250 £3.60	060 101 £6.88	060 116 £6.17

securon Warning Kits Contain Seat Belts by Securon.

Please Note: Twin Core Cable is not included with the kits but is available separately above.
The buckle has a switch which is activated by the belt when fastened.
This is connected to a green beacon on the roof of the vehicle to show that the operator is wearing a seat belt.

Retractable Seat Belt Warning Systems

Dual Beacon Weld On Spigot Retractable Seat Belt Kit	Dual Beacon Twin Bolt On Spigot Retractable Seat Belt Kit	Dual Beacon Side Mount Spigot Retractable Seat Belt Kit	Dual Beacon Bolt On Spigot Retractable Seat Belt Kit	Dual Beacon Folding Spigot Retractable Seat Belt Kit
308 335 £69.10	308 336 £67.55	308 337 £67.55	308 338 £68.88	308 339 £69.05
Seatbelt Warning System LED Flexi DIN Beacon c/w Weld On Spigot	Seatbelt Warning System LED Flexi DIN Beacon c/w Twin Bolt On Spigot	Seatbelt Warning System LED Flexi DIN Beacon c/w Side Mount Spigot	Seatbelt Warning System LED Flexi DIN Beacon c/w Bolt On Spigot	Seatbelt Warning System LED Flexi DIN Beacon c/w Folding Spigot
308 100 NLA	308 101 £54.50	308 102 £54.50	308 103 £54.50	308 104 £56.50
Green LED Seat Belt Warning Kit Single Bolt Beacon	Green LED Seat Belt Warning Kit Magnetic Beacon	Green LED Seat Belt Warning Kit Three Bolt Beacon	Green Xenon Seat Belt Warning Kit Three Bolt Beacon	Dual Magnetic Beacon Retractable Seat Belt Kit
308 132 £49.47	308 131 £47.50	308 130 £52.22	308 120 NLA	308 341 £61.32
Single Bolt Beacon Retractable Seat Belt Kit	Seat Belt - Retractable, Hi Visibility Orange with Switch	Twin Core Cable 8.75amp (Black)	Replacement Green Lens for LED Beacon	Replacement Amber Lens for LED Beacon
308 342 £63.22	800 280 £28.50	124 0320 10m £7.21 124 0319 30m £21.77 124 0318 100m £72.06	761 611 £4.91	760 103 £1.87

securon Warning Kits Contain Seat Belts by Securon.

Please Note: Twin Core Cable is not included with the kits but is available separately above.
The buckle has a switch which is activated by the belt when fastened.
This is connected to a green beacon on the roof of the vehicle to show that the operator is wearing a seat belt.

Dumper Service Kits



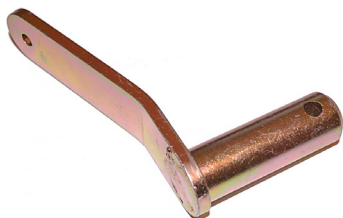
Tyre Puncture Repair Sealant - 25 Litre Drum

Construction grade water-based puncture sealant that will seal up to 16mm holes (e.g. metal reinforcing bar), in all sizes of construction tyres. Simply installed via the valve, the sealant remains as a pool in the tread area as the tyre revolves. Once the tyre is punctured, the sealant is forced out of the hole under pressure causing inherent fibres to instantly come out of suspension & plug the hole.

Part No.	Price
962 015	£175.00

Filter Service Kit Petter PH1 Engine	Filter Service Kit Petter PH2 Engine	Filter Service Kit Thwaites 1 ton - Yanmar (MACH 201 & 202)	Filter Service Kit Thwaites 1.5 ton - Yanmar (MACH 378)	Filter Service Kit Thwaites 2 ton - Yanmar (MACH 221, 220, 226)
080 008 £14.15	080 009 £14.20	080 006 £35.00	080 014 £38.83	080 007 £38.42
Filter Service Kit Thwaites 3 ton - Yanmar (MACH 273)	Filter Service Kit Thwaites 3.5 ton - Yanmar (MACH 374)	Filter Service Kit for Thwaites 5 ton dumper with Perkins Engine	Filter Service Kit Thwaites 6 ton - Perkins (MACH 266, 365)	Filter Service Kit Thwaites 6-9 ton - Perkins (MACH 260, 290)
080 012 £41.70	080 011 £42.10	080 028 £57.65	080 010 £46.65	080 018 £48.50
Service Kit for Thwaites 4000 Dumper (Lister TS2/TS3 Engine)	Service Kit for Thwaites 4000 6000 (2.5 ton) Dumpers (Lister Engine)	Service Kit for Thwaites 7000 Series Dumpers (Lister TS2/TS3 Engine)	Filter Service Kit for Benford/Terex HD1000 (Kubota Engine)	Filter Service Kit for Benford/Terex 5-7 ton (Cummins B4.5T Engine)
080 015 £36.05	080 013 £46.22	080 016 £37.05	080 026 £22.95	080 034 £63.50

Roll Over Protection System (ROPS) Pins



Part No.	Pin Diam.	Pin Length	Hole Diam.	Handle	Price
800 279	20mm	58mm	7mm	115mm	£9.95
800 277	20mm	80mm	7mm	115mm	£9.95
800 278	20mm	112mm	7mm	115mm	£9.95
800 276	25mm	89mm	7mm	115mm	£11.50

Dumper Brake Spares

				
Lift Ram Seal Kit Thwaites 5 & 6 Ton	160mm Axle Seal Fits ITL Series Axles	Tipping Knob	Dumper Decal Kit	Decal Kit for Winget Dumpers
T2715 £47.57	T50661 £28.00	T7542 £4.15	T1000 £26.50	V601769 £28.43
				
Tank Cap (Ø = 90mm, A= 67mm)	Tank Cap (Ø = 70mm, A= 45mm)	Diesel Tank Cap (Ø = 90mm, A= 67mm)	Lockable Diesel Tank Cap (Ø = 90mm, A= 67mm)	Brake Master Cylinder Seal Kit for Winget 4B2000
760 400 £26.00	760 370 £27.12	250 5780 £29.95	250 7035 £43.90	10570A01 £50.54
				
Brake Pad Set 100 x 45mm	Brake Pad Set 66mm Diameter	Brake Pad Set 45 x 45mm	Brake Pad Set 85 x 43mm	Brake Pad Set Benford 5-6 Ton
T53800 £48.00	T51443 £15.50	T2238 £23.41	T1600 £28.40	158 123 £65.00
				
Brake Pad c/w Rivets 120 x 30mm (1 Pad)	Hand Brake Caliper Winget 4B2000	Dumper Handbrake Overcentre Type	Dumper Handbrake Ratchet Type	Handbrake Quadrant for Winget 2S & 3S
1072A4 £17.25	10578A01 £181.60	404 £95.00	303 £36.50	C156A £12.45
				
Brake Disc - Thwaites, Terex, Winget (800-4025, 3015A0106)	Brake Spacer Plate - Thwaites, Terex, Winget (800-4026, 3015A0105)	Brake Cams - Thwaites	Brake Seal Kit (Round Pads) for JCB and Thwaites Dumpers	Master Cylinder Reservoir for Thwaites Benford Winget Dumpers
T3051 £62.57	T3050 £31.24	T53792 £89.50	478/19950 £95.50	64067970 £82.05

Dumper Cables

Ratchet Type Handbrake Cable for Thwaites 4000 - 9000 Dumpers Length: 125"	Overcentre Type Handbrake Cable for Thwaites 4000 - 9000 Length: 125"	Handbrake Cable for Early Thwaites 4000 with Drum Type Brake Length: 79"	Handbrake Cable for Thwaites 5 & 6 ton Powershuttle Length: 78"	Overcentre Type Handbrake cable for Thwaites 5 ton Dumper Length: 79"
T11082 £61.33	T14455 £60.63	T9804 £45.00	T15884 £71.67	T14454 £74.00
Handbrake Cable for Benford 3 ton Dumpers built after 2002 Length: 118"	Handbrake Cable for Benford 3 ton Dumpers built before 2002 Length: 116"	Handbrake Cable for Benford 5 & 6 ton Dumpers built between 1992 & 2002 Length: 59"	Handbrake Cable for Benford 5, 6, & 7 ton Dumpers built after 2002 Length: 63"	Handbrake Cable for Benford 9 ton Dumper Length: 79"
1583 1480 £113.80	1581 1081 £77.44	1585 1072 £107.60	1585 1558 £73.32	1594 1146 £80.60
Handbrake Cable for Barford 3 ton Dumper built before 2001 Length: 127"	Handbrake Cable for Winget 4B2000 Dumper Length: 67"	Throttle Cable for Thwaites 4000 fitted with a Lister Engine Length: 71"	Throttle Cable for Thwaites 4000, 6000 fitted with a Perkins Engine - Length: 54"	Clutch Cable for Thwaites Dumpers Length: 38"
SX682032 £73.32	10367A03 £112.10	T15724 £45.25	T14059 £51.09	T14058 £61.30
Clutch Cable for Benford / Terex Dumpers Length: 48"	Thwaites Flexible Mineral Fluid Brake Pipe Length: 510mm	Front Mineral Fluid Brake Pipe for Winget Dumpers Length: 340mm	Rear Mineral Fluid Brake Pipe for Winget Dumpers Length: 345mm	Brake Master Cylinder Seal Kit for Thwaites, Benford and Winget Dumpers
1583 1208 £102.90	T11243 £52.91	10517A02 £41.77	10516A02 £40.72	SP1996/2 £45.66

Dumper Electrics

				
Forward/Reverse Lever Fits Thwaites Dumpers	Forward/Reverse Lever Benford/Terex Dumpers	Alternator replaces Kubota 16231-24011	Starter Motor replaces Kubota 6C140-59212	3-Wire Stop Solenoid Kubota Engines
081 210 £111.90	081 230 £152.30	080 208 £121.50	080 209 £90.90	17454 60010 £107.60
				
Stop Solenoid for Yanmar TNE/TNV	12v Diesel Pump 8mm In/Out	12v Diesel Pump 8mm In/Out	12v Electric Fuel Pump 140 L/min Flow Rate	Manual Diesel Primer Pump - 8mm In/Out
119 653 £45.00	080 205 £22.50	080 200 £68.90	081 415 £21.00	080 005 £10.50
				
Solenoid Valve for ITL Torque Converter	12/48V Reversing Alarm 97Db at 1200Hz	Dashboard Mounted Push Button Switch	Push Button Switch Emergency Stop Switch Benford/Terex Dumpers	Benford/Terex Ignition Switch (6896 Key)
T50512 £109.10	056 400 £25.67	200 157 £4.90	8000 3443 £81.70	8000 4490 £55.00
				
12v Dashboard Warning Buzzer	12v Twin Terminal Horn	Battery Isolator Switch	HD Battery Isolator Switch (250A at 24v)	Ignition Switch for Thwaites/Perkins Engine
056 212 £10.97	200 088 £10.50	200 026 £5.50	200 027 £19.95	T14326 £47.07
				
Lucas 35327 Ignition Switch - 5 Position	Ignition Switch to suit 14644 Keys	Lucas 92274 Barrel c/w 2 Keys	Lucas Switch Body to suit 92274 Barrel	5 Position Ignition Switch Benford/Terex
35327 £38.95	200 156 £33.00	54316732 £6.60	34680 £23.40	200 155 £54.00

Vibrating Roller Spares

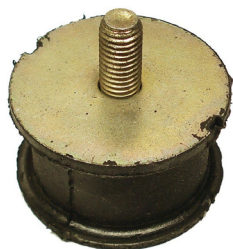


Fig.1



Fig.2



Fig.3



Fig.4



Fig.5

Part No.	Ref.	OEM No.	Application	Height	Diam.	Stud	Price
803 113	1	06126012	Bomag BW55	30mm	46mm	M10 Female / M10x18 Male	£9.30
803 111	2	06128512	Bomag BW75/80/90	40mm	100mm	M16 Female / M16x16 Male	£33.48
803 114	2	06118715 06118714	Bomag BW100/120/123/130 Drive Rubber	55mm	105mm	M16x25 Male / M16x35 Male	£34.00
803 112	2	06118312	Bomag BW100/120/123/130 Vibration Rubber	40mm	105mm	M16x17 Male / M16x25 Male	£30.47
803 115	2	06119395	Bomag BW141/151/161/212	75mm	160mm	M20x45 Male / M20x45 Male	£65.55
903 121	3	17331406	Benford TV75/80/90/100/120/1000/ 1200/1300	51mm	90mm	M12x32 Stud / Flange Hole Centres 112mm	£26.02
903 125	4	17331408	Benford TV75/100/1000/120/1200/130/1300	37mm	76mm	M10x25 Male / M10x25 Male	£19.79
903 132	4	1702214	Benford/Terex MBR71, 1-71	37mm	58mm	M10x25 Male / M10x25 Male	£14.50
170 190	5	170190	Drive Pin for '903 132'	-	-	-	£2.50

Roller Scraper Blades

Heavy duty polyurethane scraper blades
Holes to be drilled by customer

Part No.	Application	Thickness	Length	Width	Price
803 055	Bomag BW55	8	550	100	£14.19
803 075	Bomag BW75AD	12	750	100	£15.80
803 080	Bomag BW80AD, SB800	12	800	100	£19.80
803 090	Bomag BW90AD	12	900	120	£22.54
803 100	Bomag BW100AD	12	1000	120	£25.12
803 120	Bomag BW120AD	12	1200	120	£29.17
803 130	Bomag BW130AD	12	1300	120	£41.00
803 140	Bomag BW140AD	12	1400	120	£51.96
803 154	Bomag BW154AD, BW160AD, BW161AD	12	1600	150	£55.25
803 213	Bomag BW211, BW213, BW214	12	2130	150	£77.83
903 075	Benford TV75	8	750	80	£13.20
903 080	Benford TV80	8	800	80	£15.80
903 090	Benford TV90	8	900	80	£17.90
903 100	Benford TV100	10	1000	100	£20.00
903 120	Benford TV120	10	1200	100	£20.50
903 130	Benford TV130	10	1300	100	£22.10
903 140	Benford TV140	10	1400	100	£25.14

Benford/Terex MBR71 Roller Spares

Filter Service Kit for MBR71	Set of 12 Drum Mounts & Drive Pins for MBR71	Clutch Plate	Clutch Pin	Clutch Bearing
080 267 £10.50	903 135 £165.80	1701 246 £128.00	1701 95 £5.25	1701 45 £14.50
Clutch Bearing Housing	Clutch Operating Fork	Clutch Cable	Clutch Link for MBR71 Roller	Clutch Cable Link for MBR71 Roller
1701 97 £148.99	1701 375 £143.90	1714 70 £64.80	1714 82 £58.08	1701 184 £26.50
Clutch Spring for MBR71 Roller	Clutch Shaft for MBR71 Roller	Clutch Shaft Spacer for MBR71 Roller	Clutch Pivot Pin for MBR71 Roller	Clutch Lever Pivot Pin for MBR71 Roller
1701 67 £31.30	1714 22 £153.60	1714 21 £27.80	1714 83 £68.90	1701 183 £111.20
Top Belt Pulley	V-Belt	Toothed Belt	Spray Bar	Flexible Drive Coupling
1714 239 £185.30	1714 241 £18.40	1714 53 £19.60	1714 106 £129.30	1714 1328 £68.17
Drive Flange	Drive Flange	Drum Plate Bush	Hydraulic Pump Fan	Stabiliser Wheel
1714 1330 £147.10	1714 1331 £178.80	1701 46 £82.80	1714 32 £106.30	800 169 £32.00
Air Filter for Hatz 1D41 / 1D42 Engine	Oil Filter for Hatz 1D41 / 1D42 Engine	Fuel Filter for Hatz 1D41 / 1D42 Engine	Fuel Filter for Hatz 1D41 / 1D42 Engine	Fuel Filter for Hatz 1D41 / 1D42 Engine
LA1515 £7.20	LO576 £4.10	LF4015 £4.00	50478800 £7.25	LF90 £7.90

Benford/Terex MBR71 Roller Spares

				
Pivot for MBR71 Roller	Timing Pulley for MBR71 Roller	Pulley & Bush Assy for MBR71 Roller	Gear for MBR71 Roller	Drive Shaft Bearing for MBR71 Roller
1714 125 £72.47	1714 51 £114.10	1714 320 £112.90	1701 297 £163.90	1701 42 £21.50
				
Vee Ring for MBR71 Roller	Retainer Drum Seal for MBR71 Roller	Drive Shaft Seal for MBR71 Roller	Seal for MBR71 Roller	Drum Shim for MBR71 Roller
1701 39 £12.83	1718 160 £58.81	1701 65 £30.42	1701 66 £31.88	1714 152 £24.00
				
Lever Bush for MBR71 Roller	Steering Lever for MBR71 Roller	Brake Lever for MBR71 Roller	Knob for MBR71 Roller	Rod for MBR71 Roller
J5Z £11.65	1701 216 £9.74	1714 126 £58.79	1701 137 £15.57	1714 90 £28.54
				
Push Rod for MBR71 Roller	Brake Rod for MBR71 Roller	Lock Washer for MBR71 Roller	Feather Key for MBR71 Roller	Hydraulic Oil Gauge for MBR71 Roller
1701 98 £76.99	1714 122 £87.90	1704 108 £6.50	MS140 42 £4.82	1702 118 £38.00
				
Hydraulic Tank Suction Filter for MBR71 Roller	Handle Grip for MBR71 20mm Tube Diameter	90mm Tank Cap for MBR71	Canopy Catch	Ignition Switch for Hatz Engine
1714 250 £54.17	1402 148 £6.56	760 400 £26.00	908/10700 £20.48	200 156 £33.00
				
Starting Handle for Hatz Engine	Starting Handle for Lister LV Engine	Fuel Injector for Hatz 1D42	Injector Pump for Hatz 1D42	Fuel Feed Pump for Hatz 1D42
SH37 £66.00	SH11 £34.00	50598500 £205.30	02259000 £266.70	05301500 £112.90

Bomag BW55E Roller Spares

				
Drive Rubber	Scraper Blade (requires drilling)	Handle Lever	Handle Bearing	Grip for Handle Lever
803 113 £9.30	803 055 £14.19	62003030 £426.00	05113303 £18.56	14003016 £15.30
				
Locking Screw	Control Cable	Throttle Cable	Clutch Shoe	Clutch Spring
06422018 £59.78	62070603 £230.40	05561406 £92.50	05660209 £76.36	05660302 £24.22
				
Drive Belt	Steering Handle Grip	Lifting Handle Grip	Gearbox Gasket	Drum Bearing
06312146 £23.93	14003015 £60.58	06420001 £30.18	62040406 £65.10	05224241 £156.40
				
Drum Shaft Seal	Inner Nilos Drum Ring	Bearing Support Disc	Drum Bearing Circlip	Drum Mount Washer
05591306 £34.00	05331326 £17.85	05520415 £6.23	09223700 £9.92	62010507 £9.63
				
Drum Bearing Locking Cap	Brass Elbow with Connector	Rubber Elbow	Plastic Elbow	Plastic End Cap
06510211 £21.96	803 104 £4.94	803 105 £2.25	803 106 £3.45	803 107 £0.16
				
Plastic Tee Connector	Spray Bar Clip	Spray Bar 1.2m (drilled)	Water Tap for Roller Spray Bars	Water Tank Cap for Bomag BW55, BW120
803 108 £3.70	803 109 £3.80	803 102 £4.10	803 103 £4.90	01492604 £41.23

Digger Buckets



Manufactured to a high specification using superior grade wear resistant steel to maximise working life.

- Heavy duty hanger brackets
- Bolt on teeth & side cutters (included)
- Hard wearing edges & wear strips

CASE

Part No.	Type	Application	Price
120 7050	6" Digging	CK13, CK15	POA
120 1209	9" Digging		POA
120 1212	12" Digging		POA
120 1218	18" Digging		POA
120 1236	36" Grading		POA
120 1546	9" Digging	23, 28, CX20, CX22B, CX23, CX27B, CX28	POA
120 1547	12" Digging		POA
120 1548	18" Digging		POA
120 1549	24" Digging		POA
120 1551	48" Grading		POA

KUBOTA

Part No.	Type	Application	Price
120 4056	6" Digging	K008, K008-3, U10, U10-3	POA
120 1709	9" Digging		POA
120 1712	12" Digging		POA
120 1718	18" Digging		POA
120 1724	24" Digging		POA
120 1730	30" Grading	KH35, KH36, KH41, KX36, KX36-2, KX36-3, KX41, KX41-2, KX41-2S, KX41-2V	POA
120 7050	6" Digging		POA
120 1209	9" Digging		POA
120 1212	12" Digging		POA
120 1218	18" Digging		POA
120 1224	24" Digging	KX41-3, KX015-4, KX016-4, KX018-4, U15-3, U17-3	POA
120 1236	36" Grading		POA
120 7062	6" Digging		POA
120 4036	9" Digging		POA
120 4037	12" Digging		POA
120 4038	18" Digging	KX61, KX61-2, KX61-3, U20, U20-3, U25-3	POA
120 4055	24" Digging		POA
120 4039	36" Grading		POA
120 1509	9" Digging		POA
120 1512	12" Digging		POA
120 1518	18" Digging	KH60, KH66, KX71, KX71-2, (KX71-3 Without Quick Hitch)	POA
120 1524	24" Digging		POA
120 1540	48" Grading		POA
120 7081	9" Digging		POA
120 4016	12" Digging		KX91, KX91-2, KX91-3, KX101, KX101-3, KX121-2, U30, U35
120 4017	18" Digging	POA	
120 4018	24" Digging	POA	
120 7082	30" Digging	POA	
120 4019	48" Grading	POA	
120 4058	9" Digging	KX161, KX161-2, KX161-3, KX057-4, U45, U50-3, U45-3, U48-4, U55-4	POA
120 4041	12" Digging		POA
120 4042	18" Digging		POA
120 4043	24" Digging		POA
120 7074	36" Digging		POA
120 4044	48" Grading	KX080-3	POA
120 4045	12" Digging		POA
120 7089	18" Digging		POA
120 4046	24" Digging		POA
120 4047	36" Digging		POA
120 4048	60" Grading	KX080-3	POA
120 4049	12" Digging		POA
120 7103	18" Digging		POA
120 4051	24" Digging		POA
120 4052	36" Digging		POA
120 4053	60" Grading	POA	

CATERPILLAR

Part No.	Type	Application	Price
120 7060	6" Digging	301.5, 301.5CR, 301.6, 301.6C, 301.8	POA
120 4026	9" Digging		POA
120 4027	12" Digging		POA
120 4028	18" Digging		POA
120 7061	24" Digging		POA
120 4029	36" Grading	302.5, 302.5CR	POA
120 7080	9" Digging		POA
120 4031	12" Digging		POA
120 4032	18" Digging		POA
120 4033	24" Digging		POA
120 4034	48" Grading	POA	

JCB

Part No.	Type	Application	Price
120 4056	6" Digging	8008, Microlight (straight pin with collar type bucket fixing)	POA
120 1709	9" Digging		POA
120 1712	12" Digging		POA
120 1718	18" Digging		POA
120 1724	24" Digging		POA
120 1730	30" Grading	801, 801.4, 801.5, 801.6, 8016 8018, Mini CX	POA
120 7050	6" Digging		POA
120 1209	9" Digging		POA
120 1212	12" Digging		POA
120 1218	18" Digging		POA
120 1224	24" Digging	802, 802.4, 802.5, 8025 ZTS, 8027 ZTS, 803, 803 Magnum, 803 Plus, 803 Super, 8030 ZTS, 8032 ZTS, 8035 ZTS, 803E	POA
120 1236	36" Grading		POA
120 7081	9" Digging		POA
120 4016	12" Digging		POA
120 4017	18" Digging		POA
120 4018	24" Digging	3CX, 805.2, 8055, 8060, 8080	POA
120 7082	30" Digging		POA
120 4019	48" Grading		POA
120 7091	12" Digging		POA
120 7092	18" Digging		POA
120 7093	24" Digging	KX080-3	POA
120 7094	30" Digging		POA
120 7095	36" Digging		POA
120 7096	60" Grading		POA

Digger Teeth & Buckets

PEL JOB

Part No.	Type	Application	Price
120 7105	6" Digging		POA
120 4011	9" Digging	EB10, EB12,	POA
120 4012	12" Digging	EB12.4, EB14.4,	POA
120 4013	18" Digging	EB16.4, Sirius	POA
120 4015	36" Grading		POA
120 7073	9" Digging		POA
120 4021	12" Digging	EB22, EB22.4,	POA
120 4022	18" Digging	EB25.4, EB28,	POA
120 4023	24" Digging	EB30.4, EB200,	POA
120 4024	48" Grading	EB250, EB300	POA

VOLVO

Part No.	Type	Application	Price
120 7105	6" Digging		POA
120 4011	9" Digging	EC13, EC14, EC15, EC15B	POA
120 4012	12" Digging		POA
120 4013	18" Digging		POA
120 4015	36" Grading		POA
120 7073	9" Digging		POA
120 4021	12" Digging	EC20, EC25, ECR28, EC30	POA
120 4022	18" Digging		POA
120 4023	24" Digging		POA
120 4024	48" Grading		POA

TAKEUCHI

Part No.	Type	Application	Price
120 7065	6" Digging		POA
120 4003	9" Digging	TB007, TB108 - Pins - 25mm - Dipper Gap - 105mm - Hole Centres - 90mm	POA
120 4004	12" Digging		POA
120 4005	18" Digging		POA
120 7066	24" Digging		POA
120 4006	30" Grading		POA
120 7051	6" Digging		POA
120 1541	9" Digging	TB014, TB015, TB016	POA
120 1542	12" Digging		POA
120 1543	18" Digging		POA
120 7052	24" Digging		POA
120 1544	36" Grading		POA
120 1546	9" Digging		POA
120 1547	12" Digging	TB025, TB028, TB030, TB125, TB23R, TB28FR	POA
120 1548	18" Digging		POA
120 1549	24" Digging		POA
120 1551	48" Grading		POA

YANMAR

Part No.	Type	Application	Price
120 4007	9" Digging	B08, B08-3, SV08, VIO10	POA
120 4008	12" Digging		POA
120 4009	18" Digging		POA
120 7059	24" Digging		POA
120 4010	30" Grading		POA
120 7105	6" Digging		POA
120 4011	9" Digging	B12, B15, B15-3	POA
120 4012	12" Digging		POA
120 4013	18" Digging		POA
120 4015	36" Grading		POA

Single Strap Bucket Tooth Overall Length: 180mm Hole Centres: 40mm	JCB Style Bucket Tooth Hole Centres: 45mm Overall Length: 190mm	Kubota K2 Style Tooth Twin Hole Centres: 53mm Overall Length: 210mm	Kubota K2 Style Side Cutter Twin Hole Centres: 55mm	Kubota K2 Style Side Cutter Twin Hole Centres: 55mm
800 755 £11.48	800 801 £9.95	800 722 £13.63	800 724 £18.43	800 726 £18.43
Bucket Tooth fits JCB 3CX Twin Hole Centres: 45mm Overall Length: 250mm	Left Hand Side Cutter fits JCB 3CX Twin Hole Centres: 45mm	Right Hand Side Cutter fits JCB 3CX Twin Hole Centres: 45mm	12mm Plough Bolt Set (2 bolts, 2 nuts)	14mm Plough Bolt Set (2 bolts, 2 nuts)
800 730 £19.41	800 736 £31.25	800 733 £31.25	800 758 £1.80	800 759 £2.50

*Please buy based on image, not on 'left' or 'right'.

Digger Bucket Pins



Fig.1



Fig.2



Fig.3



Fig.4



Fig.5

BOBCAT

Part No.	Fig.	Position	Application	Pin Ø	Pin Length	Grease Nipple	Price
200 874	3	9 & 11	X316	25	160	Yes	£10.70
200 263	1	9 & 11	E16/ X220/ X320/ X322/ X323	30	170	Yes	£13.20
200 269	1	9 & 11	E35/ X325/ X328/ X331/ X334	35	220	Yes	£15.86
200 968	1	9 & 11	CX20B/ CX22B	35	250	Yes	£19.32
200 951	1	9 & 11	E45/ E50/ X335/ X337/ X341	45	262	Yes	£27.37

CASE

Part No.	Fig.	Position	Application	Pin Ø	Pin Length	Grease Nipple	Price
200 264	4	9 & 11	CK13/ CK15	25	177	No	£9.50
200 262	4	9 & 11	23/ 28/ CX23/ CX28/ CX27B	35	237	No	£13.60

CATERPILLAR

Part No.	Fig.	Position	Application	Pin Ø	Pin Length	Grease Nipple	Price
200 876	2	9 & 11	301.5/ 301.6/ 301.8C	30	200	Yes	£21.08
200 875	2	9 & 11	302.5	35	260	Yes	£34.50

HANIX

Part No.	Fig.	Position	Application	Pin Ø	Pin Length	Grease Nipple	Price
200 874	3	9 & 11	H08A/ H08B	25	160	Yes	£10.70
200 949	3	9 & 11	H15A	30	215	Yes	£13.90
202 125	3	9 & 11	H22A/ H22B/ H24A/ H26A/ H26B/ H29A/ H30A	35	250	Yes	£15.50

HITACHI

Part No.	Fig.	Position	Application	Pin Ø	Pin Length	Grease Nipple	Price
200 874	3	9 & 11	EX08	25	160	Yes	£10.70
202 136	3	9 & 11	EX15/ EX16/ EX17-1/ EX17-2/ ZX16/ ZX17U/ AX15	30	215	Yes	£13.00
202 125	3	9 & 11	EX20/ EX22/ EX25/ ZX25/ ZX27U	35	250	Yes	£15.50
200 267	3	9 & 11	EX30/ EX30-2/ ZX30/ EX35	40	260	Yes	£21.55

JCB

Part No.	Fig.	Position	Application	Pin Ø	Pin Length	Grease Nipple	Price
200 874	3	9 & 11	8008/ Micro (some)	25	160	Yes	£10.70
200 264	4	9 & 11	801/ 801.4/ 5/ 6/ 8014/ 8015/ 8016/ 8018/ Micro (some)	25	177	No	£9.50
200 262	4	9 & 11	802/ 802.4/ 8025/ 8027/ 803/ 8030/ 8032/ 8035/ 804	35	237	No	£13.60
200 265	5	9 & 11	3CX/ 4CX/ 805.2/ 8060/ 8080	44	320	No	£24.60

KUBOTA

Part No.	Fig.	Position	Application	Pin Ø	Pin Length	Grease Nipple	Price
200 874	3	9 & 11	K008/ K008-3/ KH007/ KH21/ KX21/ U10/ U10-3	25	160	Yes	£10.70
200 264	4	9 & 11	KH31/36/41/ KX36/ KX36-2/ KX36-3/ KX41/ KX41-2/ U15	25	177	No	£9.50
202 817	4	9 & 11	KH31/36/41/ KX36/ KX36-2/ KX36-3/ KX41/ KX41-2/ U15	25	165	Yes	£9.20
202 135	4	9 & 11	KX41-3/ KX015-4/ KX016-4/ KX018-4/ U15-3/ U17-3	30	165	Yes	£12.50
200 260	4	9 & 11	KH51/ KX61/ KX61-2/ KX61-3/ U20/ U20-3/ U25-3	30	190	No	£13.50
202 126	4	9 & 11	KH51/ KX61/ KX61-2/ KX61-3/ U20/ U20-3/ U25-3	30	190	Yes	£11.50
200 259	4	9 & 11	KH60/ KH66/ KX71/ KX71-2/ KX71-3	35	230	Yes	£13.60
200 258	4	9 & 11	KH90/ KH101/ KX91/ KX91-2/ KX101/ KX121-2/ U30/ U35	40	230	Yes	£18.00
200 257	4	9 & 11	KH151/ KH191/ KX151/ KX161-2/-3/ KX191/ U45/ U50	45	258	Yes	£23.80

Digger Bucket Pins



Fig.1



Fig.2



Fig.3



Fig.4

BOBCAT

Part No.	Fig.	Position	Application	Pin Ø	Pin Length	Grease Nipple	Price
200 874	4	9 & 11	N080	25	160	Yes	£10.70
200 263	2	9 & 11	N120/ N120-2/ N150-2	30	170	Yes	£13.20
202 125	4	9 & 11	N300/ N300-2/ N350-2	35	250	Yes	£15.50

RIG MOUNTED BREAKER

Part No.	Fig.	Position	Application	Pin Ø	Pin Length	Grease Nipple	Price
200 952	1	-	Pecker/Rock Breaker	25	250	No	£14.00

PEL JOB

Part No.	Fig.	Position	Application	Pin Ø	Pin Length	Grease Nipple	Price
200 263	2	9 & 11	EB10/ EB12/ EB12.4/ EB14.4/ EB16.4/ Sirius	30	170	Yes	£13.20
200 269	2	9 & 11	EB22/ EB25/ EB28/ EB30/ EB250/ EB300/ EB350	35	220	Yes	£15.86
200 951	2	9 & 11	EB506	45	262	Yes	£27.37

TAKEUCHI

Part No.	Fig.	Position	Application	Pin Ø	Pin Length	Grease Nipple	Price
200 874	4	9 & 11	TB007/ TB108	25	160	Yes	£10.70
200 949	4	9 & 11	TB014/ TB015/ TB016/ TB219/ TB15FR	30	214	Yes	£13.90
202 125	4	9 & 11	TB025/ TB125/ TB23R/ TB28FR/ TB228	35	250	Yes	£15.50
200 267	4	9 & 11	TB035/ TB135	40	260	Yes	£21.55

VOLVO

Part No.	Fig.	Position	Application	Pin Ø	Pin Length	Grease Nipple	Price
200 263	2	9 & 11	EC14/ EC15/ EC15B	30	170	Yes	£13.20
200 269	2	9 & 11	EC20/ EC20B/ EC25/ ECR28/ EC30	35	220	Yes	£15.86
200 951	2	9 & 11	EC45/ EC50/ EC55/ ECR58	45	262	Yes	£27.37

YANMAR

Part No.	Fig.	Position	Application	Pin Ø	Pin Length	Grease Nipple	Price
202 541	2	9 & 11	B05/ B08/ B08-3/ SV08/ VIO10	25	135	Yes	£16.19
200 263	2	9 & 11	B12/ B14/ B15/ B17/ SV15/ YB121/ YB151	30	170	Yes	£13.20
200 269	2	9 & 11	B22/ B22.2/ YB201	35	220	Yes	£15.86
200 873	3	9 & 11	B25V/ B27/ B27.2/ B30V/ B37/ B37V/ YB301	38	230	Yes	£24.89
200 951	2	9 & 11	B50/ B50.2/ Vio45/ Vio50/ Vio55	45	262	Yes	£27.37



Door Catch Handle

Non-Genuine replacement for JCB part no. 331/35148

Fits most models of JCB telehandlers

080 230 £23.00



Quick Hitch Safety Catches

Part No.	Application	Length	Width	Height	Price
996 150	1.5 ton models	54mm	30mm	45mm	£14.00
996 280	2.5 ton models	65mm	38mm	40mm	£14.00
996 580	5 ton models	80mm	48mm	55mm	£14.00
996 880	8 ton models	90mm	62mm	55mm	£14.00

Position 9 & 11 Bushes



Fig.1

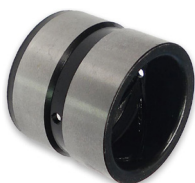


Fig.2



Fig.3



Fig.4

NISSAN

Part No.	Fig.	Position	Application	I/D	O/D	Height	Price
200 942	1	9 & 11	X316	25	33	30	£6.50
202 902	1	9 & 11	X220/ X320/ X322/ X323	30	40	40	£9.42
202 911	1	9 & 11	X220/ X320/ X322/ X323 (Later models - check O/D)	30	35	40	£21.90
200 943	1	9 & 11	X325/ X328/ X331/ X334	35	45	35	£7.75
202 908	1	9 & 11	X325/ X328/ X331/ X334 (Later models - check O/D)	35	40	35	£16.57
202 906	1	9 & 11	E45/ E50/ X335/ X337/ X341	45	55	45	£9.00

CASE

Part No.	Fig.	Position	Application	I/D	O/D	Height	Price
200 942	1	9 & 11	CK13/ CK15	25	33	30	£6.50
200 943	1	9 & 11	23/ 28/ CX23/ CX28/ CX27B	35	45	35	£7.75

CATERPILLAR

Part No.	Fig.	Position	Application	I/D	O/D	Height	Price
202 902	1	9 & 11	301.5/ 301.6/ 301.8C	30	40	40	£9.42
202 909	2	9 & 11	301.5/ 301.6/ 301.8C (externally greased)	30	40	40	£6.75
202 903	1	9 & 11	302.5	35	45	35	£9.82
202 910	2	9 & 11	302.5 (externally greased)	35	45	35	£8.75

HANIX

Part No.	Fig.	Position	Application	I/D	O/D	Height	Price
200 942	1	9 & 11	H08A/ H08B	25	33	30	£6.50
202 902	1	9 & 11	H15A	30	40	40	£9.42
200 943	1	9 & 11	H22A/ H22B/ H24A/ H26A/ H26B/ H29A/ H30A	35	45	35	£7.75

HITACHI

Part No.	Fig.	Position	Application	I/D	O/D	Height	Price
200 942	1	9 & 11	EX08	25	33	30	£6.50
202 902	1	9 & 11	EX15/ EX16/ EX17-1/ EX17-2/ ZX16/ ZX17U/ AX15	30	40	40	£9.42
200 943	1	9 & 11	EX20/ EX22/ EX25/ ZX25/ ZX27U	35	45	35	£7.75
200 945	1	9 & 11	EX30/ EX30-2/ ZX30/ EX35	40	50	40	£9.25

JCB

Part No.	Fig.	Position	Application	I/D	O/D	Height	Price
202 128	3	9 & 11	801/.4/.5/.6/ 8014/ 8015/ 8016/ 8018/ Micro	25	38	95	£12.50
202 901	3	9 & 11	802/ 802.4/ 8025/ 8027/ 803/ 8030/ 8032/ 8035/ 804	35	45	135	£20.50
202 907	4	9 & 11	3CX/ 4CX/ 805.2/ 8060/ 8080	44	50	60	£5.50

KUBOTA

Part No.	Fig.	Position	Application	I/D	O/D	Height	Price
200 942	1	9 & 11	K008/ K008-3/ KH007/ KH21/ KX21/ U10/ U10-3	25	33	30	£6.50
200 942	1	9 & 11	KH31/36/41/ KX36/ KX36-2/ KX41/ KX41-2/ U15	25	33	30	£6.50
202 127	1	9 & 11	KX36-3	25	38	30	£7.50
200 944	1	9 & 11	KX41-3/ KX015-4/ KH51/ KX61/ KX61-2/ U15-3/ U17-3/ U20	30	38	35	£7.75
202 130	1	9 & 11	KX61-3	30	38	45	£7.75
200 943	1	9 & 11	KH60/ KH66/ KX71/ KX71-2	35	45	35	£7.75
202 131	1	9 & 11	KX71-3	35	45	45	£9.25
200 945	1	9 & 11	KH90/ KH101/ KX91/ KX91-2/ KX101/ KX121-2/ U30/ U35	40	50	40	£9.25
202 906	1	9 & 11	KH151/ KH191/ KX151/ KX161/-2/-3/ KX191/ U45/ U50	45	55	45	£9.00

Position 9 & 11 Bushes

NISSAN

Part No.	Fig.	Position	Application	I/D	O/D	Height	Price
200 942	1	9 & 11	N080	25	33	30	£6.50
202 902	1	9 & 11	N120/ N120-2/ N150-2	30	40	40	£9.42
200 943	1	9 & 11	N300/ N300-2/ N350-2	35	45	35	£7.75

PEL JOB

Part No.	Fig.	Position	Application	I/D	O/D	Height	Price
202 902	1	9 & 11	EB10/ EB12/ EB12.4/ EB14.4/ EB16.4/ Sirius	30	40	40	£9.42
200 943	1	9 & 11	EB22/ EB25/ EB28/ EB30/ EB250/ EB300/ EB350	35	45	35	£7.75
202 906	1	9 & 11	EB506	45	55	45	£9.00

TAKEUCHI

Part No.	Fig.	Position	Application	I/D	O/D	Height	Price
200 942	1	9 & 11	TB007/ TB108	25	33	30	£6.50
202 902	1	9 & 11	TB014/ TB015/ TB016/ TB219	30	40	40	£9.42
200 943	1	9 & 11	TB025/ TB125/ TB23R/ TB28FR/ TB228	35	45	35	£7.75
200 945	1	9 & 11	TB035/ TB135	40	50	40	£9.25

VOLVO

Part No.	Fig.	Position	Application	I/D	O/D	Height	Price
202 902	1	9 & 11	EC14/ EC15/ EC15B	30	40	40	£9.42
200 943	1	9 & 11	EC20/ EC20B/ EC25/ ECR28/ EC30	35	45	35	£7.75
202 906	1	9 & 11	EC45/ EC50/ EC55/ ECR58	45	55	45	£9.00

YANMAR

Part No.	Fig.	Position	Application	I/D	O/D	Height	Price
202 902	1	9 & 11	B12/ B14/ B15/ B17/ SV15/ YB121/ YB151	30	40	40	£9.42
200 943	1	9 & 11	B22/ B22.2/ YB201	35	45	35	£7.75
202 905	2	9	B25V/ B27/ B27.2/ B30V/ B37/ B37V/ YB301	38	48	50/60	£37.21
202 904	1	11	B25V/ B27/ B27.2/ B30V/ B37/ B37V/ YB301	38	48	55	NLA
202 129	1	9 & 11	B50/ B50.2/ Vio45/ Vio50/ Vio55	45	55	60	£17.85



Fig.1



Fig.2

LYNCH PINS



Part No	Pin Diam.	Ring Diam.	Price
LP316	3/16" (5mm)	38mm	£0.32
LP14	1/4" (6mm)	39mm	£0.32
800 430	1/4" (6mm)	70mm	£0.69
LP516	5/16" (8mm)	45mm	£0.32
800 440	5/16" (8mm)	74mm	£0.90
LP38	3/8" (10mm)	70mm	£0.75
800 450	3/8" c/w Lock Pin	65mm	£1.50
LP716	7/16" (11mm)	50mm	£1.50

BUCKET SHIMS



Reduces bucket wobble and sideways movement

Part No.	I/D	Thickness	Price
300 020	25mm	1mm	£0.75
300 021	25mm	2mm	£1.00
300 022	30mm	1mm	£0.70
300 023	30mm	2mm	£0.70
300 025	35mm	1mm	£0.70
300 026	35mm	2mm	£1.50
300 028	40mm	1mm	£0.90
300 029	40mm	2mm	£2.00
300 031	45mm	1mm	£0.90
300 032	45mm	2mm	£1.00

Part No.	I/D	Thickness	Price
300 033	45mm	3mm	£1.00
300 034	50mm	1mm	£1.00
300 035	50mm	2mm	£1.10
300 036	50mm	3mm	£1.20
300 037	60mm	1mm	£1.20
300 038	60mm	2mm	£2.45
300 039	60mm	3mm	£3.42
300 040	65mm	1mm	£1.60
300 041	65mm	2mm	£1.60
300 042	65mm	3mm	£2.00
300 043	70mm	1mm	£2.00
300 044	70mm	2mm	£2.00
300 045	70mm	3mm	£2.00
300 046	80mm	1mm	£3.25
300 047	80mm	2mm	£3.25
300 048	80mm	3mm	£2.40

Bucket Pin & Bush Kits / Tipping & Bucket Links

Bucket Pin & Bush Kits

Includes hardened pins, position 9 & 11 bushes, bucket shims & lynch pins



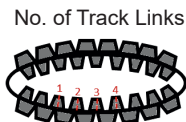
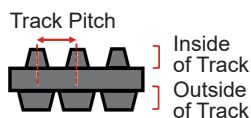
Part No	Application	Pin Ø	Price
202 802	Kubota K008/ K008-3/ U10/ U10-3/ KH007/ KH21	25mm	£59.00
202 833	Takeuchi TB108 (up to S/N 1082001)	25mm	£80.25
202 803	Takeuchi TB007/ TB108 (after S/N 1082001)	25mm	£59.00
202 804	Hanix H08A/ H08B/ Hitachi EX08/ Nissan N080	25mm	£79.00
202 800	Kubota KH36/ KH41/ KX36/ KX36-2/ KX41/ KX41-2	25mm	£53.80
202 822	Kubota KX36-3	25mm	£65.00
202 801	JCB 801 Series	25mm	£53.60
202 826	Case CK13/ CK15	25mm	£53.80
202 823	Kubota KX41-3/ KX015-4/ KX016-4/ KX018-4	30mm	£70.65
202 542	Kubota U25-3	30mm	£85.00
202 809	Takeuchi TB014/ TB015/ TB15FR/ TB016/ TB219	30mm	£61.75
202 824	Caterpillar 301.5/ 301.6/ 301.8C	30mm	£65.95
202 811	Hanix H15	30mm	£61.75
202 812	Bobcat X220/ X320/ X322/ X323 (40mm O/D Bushes)	30mm	£62.00
202 813	Nissan N120/ N120-2/ N150-2	30mm	£61.23
202 814	Pel Job EB10/ EB12/ EB12.4/ EB14.4/ EB16.4	30mm	£61.23
202 815	Volvo EC14/ EC15/ EC15B	30mm	£61.23
202 816	Yanmar B12/ B14/ B15/ B17/ SV15/ YB121/ YB151	30mm	£61.23
202 810	Kubota KH51/ KX61/ KX61-2/ KX021/ K022/ U20-3	30mm	£72.45
202 805	Kubota KX61-3	30mm	£78.70
202 807	Kubota KH60/ KH66/ KX71/ KX71-2	35mm	£65.05
202 808	Kubota KX71-3	35mm	£74.50
202 818	Takeuchi TB025/ TB125/ TB23R/ TB28FR/ TB228	35mm	£69.00
202 819	Hitachi EX20/ EX22/ EX25/ ZX25/ ZX27	35mm	£69.00
202 820	Hanix H22A/ H22B/ H24A/ H26A/ H26B/ H29A/ H30A	35mm	£69.00
202 821	Nissan N300/ N300-2/ N350-2	35mm	£69.00
202 825	Caterpillar 302.5	35mm	£101.40
202 806	JCB 802/ 803/ 804 Series	35mm	£75.10
202 829	Takeuchi TB035/ TB135	40mm	£75.05
202 830	Nissan N45	40mm	£75.05
202 828	Hitachi EX30/ EX30-2/ EX35/ ZX30	40mm	£76.35

Tipping Links (pair) Kubota K008, K008-3 U10, U10-3	Tipping Links (pair) Kubota KX36, KX36-2 KX41, KX41-2	Tipping Links (pair) KX36-3, KX41-3, U15-3, U17-3 & JCB 801 Series	Tipping Links (pair) Takeuchi TB014, TB015, TB016	Tipping Links (pair) Kubota KX61, KX61-2, U20
996 296 £129.30	996 112 £83.60	996 113 £81.48	996 186 £125.40	996 119 £120.00
Bucket Link Kubota K008, K008-3 U10, U10-3	Bucket Link KX36, KX36-2, KX41, KX41-2, JCB 801 Series	Bucket Link Kubota KX36-3	Bucket Link Kubota KX41-3, U15-3, U17-3	Bucket Link Takeuchi TB014, TB015, TB016
996 295 £115.00	202 231 £103.20	996 114 £143.30	996 115 £212.10	996 185 £158.60

Digger Tracks & Rollers

Rubber Tracks

- Continuous steel core band
- Forged steel drive links
- Extremely durable synthetic / natural rubber blend
- 24 month warranty
- Over 100 sizes available for next day delivery



Key (*)
K, R - Outer Roller Type
N, W - Centre Roller Type

Part No	Width	Pitch	Links	*	Applications	Price
120 2273	180	60	37		Honda HP500 & Winget TD500 Track Barrows	£141.00
120 2274	180	72	34		JCB 8008 (some - please check links)	£141.00
120 2275	180	72	35	K	JCB 8008 (some - please check links)	£155.00
120 2235	180	72	37		K008/ JCB 8008 (some)/ TB007/ TB108/ B08/ B08-3	£150.90
120 2252	180	72	37	K	K008-3/ SV08	£148.40
120 2253	180	72	40	K	U10-3/ SK09	£199.00
120 2272	230	48	62		TB014	£262.00
120 1557	230	48	68		TB016	£264.00
120 2279	230	48	70	K	KX018-4/ U17-3/ ZX17U-2	£316.00
120 2232	230	96	30		Kx36/ KX36-2/ KX41/ CK15	£235.00
120 2277	230	72	43		B15	£230.00
120 2278	230	72	47		B15-3	£228.00
120 2240	230	96	31		TB014/ CX15/ CAT301 (some)/ JCB 801 (some)	£243.00
120 2257	230	96	32		KX36-3/ KX41-3/ KX015-4/ KX016-4/ KX41-2S	£270.00
120 1558	230	96	33		320/ X320/ ZX16/ EC15/ 301.8/ JCB 801 (some)	£243.00
120 2259	230	96	35		KX41-3SV/ U15-3/ 301.8C/ ZX17	£256.00
120 2260	250	47	84		U20-3/ TB23R	£346.00
120 2237	300	52.5	78	W	TB125/ TB228/ CAT 302.5	£476.00
120 2262	300	52.5	80	N	KX71-2/ KX91-2/ CX27B/ PC27MR-2	£469.00
120 2236	300	52.5	80	K	KX027-4/ KX61-3/ KX71-3/ KX91-3/ U25-3	£476.00
120 2264	300	52.5	82	N	EX30/ ZX30	£483.00
120 1555	300	52.5	84	K	KX101-3/ U30-3/ KX035-3/ U35-3	£498.00
120 2265	300	109	41	W	JCB 8027/ 803/ EC35	£490.00
120 1559	350	52.5	86		TB035/ TB135/ TB235/ CX35	£592.00
120 1556	350	54.5	86		KX121-3	£650.00
120 2266	400	72.5	72	W	KX151/ EX40-55/ CAT305CR/ CK52/ EB506	£822.00
120 2267	400	72.5	74	W	JCB8052/ 8060/ 8065/ EC55/ ECR58/ CK50	£830.00
120 2268	400	72.5	74	N	TB045/TB145/TB153/TB250/JCB8045/ZX50U-2	£830.00
120 2269	400	72.5	74	R	KX161-3/ U50-3	£830.00
120 2270	400	72.5	76	W	CAT 304.5CCR/ 305CCR/ R55-3/ R55-7/ R55-9	£841.00
120 2282	450	81.5	76		KX080-3/ KX080-4/ JCB 8080/ 8085	£1,186.00
120 2271	450	81	76	W	TB80/ TB175/ TB180/ ECR88/ EX75UR/ E80	£1,186.00
120 2283	450	81	78	N	Hitachi ZX80/ ZX85	£1,200.00

Top Track Roller for Kubota KX61-3, KX71-3 Hitachi EX25, EX30, EX35	Top Track Roller for Kubota KX91-3, KX101-3, U20-3, U35-3	Top Track Roller for Kubota KX121-3, KX161-3, JCB 8040, 8045, 805.2	Top Track Roller for Kubota KX080-3, Yanmar B50, Vio40, Vio50, Vio55, Vio70, Vio75	Top Track Roller for Takeuchi TB025, TB030, TB035, TB125, TB128, TB130, TB135
120 0092 £66.54	120 0314 £75.97	120 0027 £93.60	120 0662 £94.30	120 0315 £95.00
Bottom Track Roller for Kubota K008-3, U10-3	Bottom Track Roller for Kubota KH35, KH36, KX36, KX41, Case CK13, CK15	Bottom Track Roller for Kubota KX36-2, KX41-2, KX41-2S, KX41-2V, U20	Bottom Track Roller for Kubota KX36-3, KX41-3, U20-3	Bottom Track Roller for Kubota KX61-3, KX71-3, KX91-3, KX101-3, U25-3, U35-3
120 0297 £113.20	120 7027 £89.90	120 7028 £78.75	120 0351 £120.30	120 0223 £130.30
Bottom Track Roller for Kubota KX161-3, KX057-4, U40-3, U45-3, U48-3, U55-4	Bottom Track Roller for JCB 8080, JZ70, Hitachi EX60-5, EX75UR-5, EX80U, Kubota KX080-3	Bottom Track Roller for Takeuchi TB014, TB015, TB016	Bottom Track Roller for Takeuchi TB025, TB030, TB035, TB125, TB128, TB130, TB135	Bottom Track Roller for Yanmar B12-3, B15-3, B15V, SV15, B18
120 0363 £120.40	120 0157 £115.30	120 7025 £81.75	120 7026 £106.80	120 7029 £148.30

JCB Non-Genuine Spares

				
Air Filter Replaces JCB OEM No. 32/915702	Pollen Air Filter Replaces JCB OEM No. 30/925759	Cab Air Filter Replaces JCB OEM No. 30/926020	M12 Nut for JCB 6T-1 Replaces JCB OEM No. 1370/0403Z	M12 x 100mm Bolt Replaces JCB OEM No. 1315/3520Z
900 923 £7.40	900 922 £7.70	900 926 £8.24	900 900 £0.45	900 907 £1.16
				
Set Screw JCB 3CX 4CX Replaces JCB OEM No. 826/00892	Ring Clip 1 3/4" Replaces JCB OEM No. 823/00334	Shim 51 x 76 x 1.4mm Replaces JCB OEM No. 823/00220	Shim 1.4mm Replaces JCB OEM No. 823/00471	Bucket Pin Washer Replaces JCB OEM No. 823/00470
900 904 £1.00	900 908 £1.15	900 906 £1.00	900 905 £1.00	900 901 £1.00
				
Seal King Pin Replaces JCB OEM No. 904/07100	Oil Seal Replaces JCB OEM No. 904/09300	Bearing - Taper Roller Replaces JCB OEM No. 907/08300	Bearing Replaces JCB OEM No. 809/00128	Bearing 50 x 60 x 40 Replaces JCB OEM No. 809/00126
900 903 £1.00	900 902 £1.00	900 929 £11.88	900 921 £6.60	900 925 £7.66
				
Bush 54.85 x 47 Replaces JCB OEM No. 809/00176	Double Ended Stud M12 Replaces JCB OEM No. 826/01363	Track Roller Assembly Replaces JCB OEM No. 332/V6055	Auto Tensioner Replaces JCB OEM No. 320/08657	Trunnion Replaces JCB OEM No. 458/20061
900 924 £7.40	900 914 £3.28	900 946 £87.12	900 941 £36.40	900 938 £25.88
				
Coupling QR Male 10 Replaces JCB OEM No. 45/920050	Coupling QR Male HQ12 Replaces JCB OEM No. 45/920048	Coupling QR Female HQ10 Replaces JCB OEM No. 45/920049	Coupling QR Female HQ12 Replaces JCB OEM No. 45/920047	Cold Start Advance Switch Replaces JCB OEM No. 320/04554
900 930 £11.88	900 936 £21.80	900 937 £27.00	900 943 £39.08	900 928 £11.36

JCB Non-Genuine Spares

				
Fuel Pump Filter Replaces JCB OEM No. 320/07458	Oil Filler Cap Replaces JCB OEM No. 320/04090	Pivot Pin Front Axle Replaces JCB OEM No. 911/22800	Ball Joint M8 Right Hand Replaces JCB OEM No. 331/20202	Resilient Mount Replaces JCB OEM No. 263/24405
900 947 £122.50	900 912 £3.05	900 920 £5.28	900 919 £5.50	900 918 £4.22
				
Relay for 1CX Backhoe Replaces JCB OEM No. 716/09500	Door Hinge Replaces JCB OEM No. 331/31247	Throttle Knob Replaces JCB OEM No. 331/30884	Steering Wheel Knob Replaces JCB OEM No. 123/03842	Mirror fits JCB 1CX Replaces JCB OEM No. 123/04970
900 913 £2.76	995 842 £15.00	900 910 £1.47	995 850 £7.20	996 933 £11.40
				
O-Ring for 6T-1 Dumper Replaces JCB OEM No. 828/00196	Belt 8PK 1835AR3 Replaces JCB OEM No. 320/08598	Belt 8PK 1988AR3 Replaces JCB OEM No. 320/08603	Nylube - Wear Pad Replaces JCB OEM No. 160/00982	Nylube - Wear Pad Replaces JCB OEM No. 160/00991
900 911 £2.04	900 934 £18.48	900 935 £18.48	900 932 £14.00	900 933 £17.16
				
Brake Pad Set (Round Type) Replaces JCB OEM No. 15/920103, 478/00849	Lens for 411 Loaders Replaces JCB OEM No. 700/50074	Amber Rear Indicator Lens Replaces JCB OEM No. 00/50073	Red Rear Lens Replaces JCB OEM No. 700/50072	LED Light Cluster Replaces JCB OEM No. 700/50018
T51443 £15.50	900 917 £3.16	900 916 £3.16	900 915 £3.16	900 939 £29.20
				
Pedestal Working Light Replaces JCB OEM No. 700/50029	Headlight RH Dip 996.081-257 Replaces JCB OEM No.700/50055	Headlight LH Dip 996.081-257 Replaces JCB OEM No.700/50054	Headlamp RH Dip Replaces JCB OEM No. 700/50193	Headlamp LH Dip Replaces JCB OEM No. 700/50192
900 931 £13.60	900 940 £36.40	900 942 £36.40	900 945 £42.24	900 944 £42.24

Digger Electrics

				
Stop Solenoid replaces Yanmar 119653-77950	Stop Solenoid replaces Yanmar 119233-77932	Stop Solenoid replaces Kubota 17208-60010	Genuine Kubota Stop Solenoid - 17208-60010	Stop Solenoid replaces Kubota 1A021-60010
119 653 £45.00	119 233 £36.00	119 654 £56.00	17208 60016 £86.80	318 007 £72.00
				
Stop Solenoid replaces Kubota 17454-60010	Genuine Kubota Stop Solenoid - 17454-60010	Genuine Kubota Stop Solenoid - 17594-60014	Stop Solenoid replaces Kubota 16851-60010 Fits K008-3	Stop Solenoid replaces Kubota 15471-60010 Fits KX121-2, KX161-2
119 655 £46.00	17454 60010 £107.60	17594 60014 £129.20	119 656 £70.00	318 004 £96.00
				
Stop Solenoid replaces Isuzu 8972091152 Fits Hitachi EX55, ZX50	Stop Solenoid replaces JCB 716/30091	Stop Solenoid replaces Deutz 04287583	12v Inline Fuel Pump 8mm In/Out	Budget 12v Inline Fuel Pump 8mm In/Out
897 152 £70.00	716 091 £95.00	318 009 £99.60	080 200 £68.90	080 205 £22.50
				
Facet Style 12v Inline Fuel Pump 8mm In/Out	ITL Transmission Solenoid Replaces JCB 25/104700 Fits 3CX, 4CX	Alternator replaces Yanmar 129150-77201 Fits Takeuchi TB108	Alternator replaces Kubota 15531-64017 Fits K008, K008-3	Alternator replaces Kubota 16231-24011 Fits KX36-3, KX41-3
081 415 £21.00	T50512 £109.10	080 242 £100.00	045 991 £118.20	080 208 £121.50

Digger Electrics

				
Alternator replaces Yanmar 129240-77200 Fits 3TN, 4TN, TB016	Starter Motor replaces Kubota 19837-63012 Fits K008, EB10	Starter Motor replaces Kubota 16853-63011 Fits K008-3	Starter Motor replaces Kubota 19269-63013 Fits KX41-3, KX71-3	Starter Motor replaces Kubota 16235-63010 Fits KX41-2, KX61-2
080 212 £100.00	080 555 £100.00	080 556 £118.20	080 240 £112.70	080 557 £112.70
				
Starter Motor replaces Kubota 15425-63010 Fits KX121-2, U25-3	Starter Motor replaces Kubota 6C140-59210 Fits Kubota Tractors	Starter Motor replaces Kubota 15504-63010 Fits Kubota Tractors	Starter Motor replaces Yanmar 129242-77010 Fits 3TNV (after 2008)	Starter Motor replaces Yanmar 129130-77010 Fits 3TN, 4TN
080 558 £141.80	080 209 £90.90	080 215 £112.70	080 218 £130.90	080 211 £145.50
				
Starter Motor replaces Volvo PJ7412897 Fits EC13, EC14, EC25, EC30, EC35 and EC45	Starter Motor replaces JCB 714/36700 Fits JCB 8014 - 8020	Starter Motor replaces JCB 714/35600, 714/40460 Fits JCB 8008, 8025 - 8052	Starter Motor replaces JCB 714/40159 Fits JCB 2CX, 3CX	Windscreen Washer Pump Assy Replaces JCB 714/20600
080 992 £178.20	080 561 £122.70	080 562 £136.40	080 559 £136.40	080 204 £17.50
				
Older Type JCB Lamp Unit 183 x 142mm Replaces JCB 700/50054	Offside (Right Hand) Newer Type Lamp Unit 230 x 160mm Overall	Nearside (Left Hand) Newer Type Lamp Unit 230 x 160mm Overall	8 LED Worklamp 100mm x 100mm 24watt 10-30v DC Stainless Steel Bracket	6 LED Worklamp 135mm Wide 18watt 9-32v DC Aluminium Alloy Housing
116 025 £47.70	116 050 £78.75	116 051 £78.75	042 824 £14.50	042 813 £14.73

Digger Electrics

				
Lucas 5 Position Ignition Switch Fits JCB Excavators	Lucas Key Fits JCB Excavators	14603 Ignition Switch Fits JCB & Terex Excavators	Budget 14603 Ignition Switch Fits JCB & Terex Excavators	14603 Key Fits JCB & Terex Excavators
35327 £38.95	99 £0.38	200 155 £54.00	080 665 £17.00	14603 £1.50
				
Master Key fits JCB & Terex Excavators	Takeuchi Ignition Switch c/w 2 FF Keys	FF Key Fits Takeuchi Excavators	Ignition Switch c/w 2 x DD Keys	DD Key Fits Kubota & Yanmar Excavators
14MST £1.50 PC14MST £1.90	200 475 £131.00	FF £1.60	907 0017 £70.26	DD £1.89
				
AA Key Fits Kubota Excavators	459A Key Fits later Kubota Excavators without Electronic Ignition	KUB Key Fits Kubota Excavators	Ignition Switch c/w 2 Keys Fits Komatsu Excavators	787 Key Fits Komatsu Excavators
AA £1.65	459A £1.60	KUB £1.60	129 059 £52.50	787 £1.60
				
S450 Key Fits JCB & Hyundai Excavators	K250 Key Fits Kobelco & New Holland Excavators	SP8500 Key Fits Caterpillar Excavators	D900 Key Fits Doosan & Daewoo Excavators	H800 Key Fits Hitachi Excavators
S450 £1.60	K250 £1.60	SP8500 £1.60	D900 £1.60	H800 £1.60

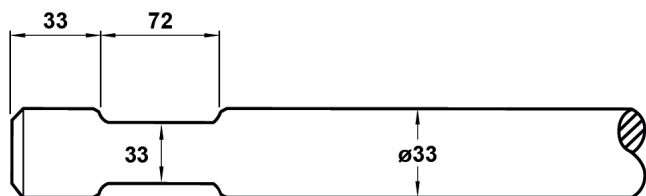
Digger Service Kits

JCB 8008 (Perkins 403 Engine)	JCB 8016 8018 (Perkins 404 Engine)	JCB 8025ZTS, 8030ZTS, 8035ZTS (Perkins 403 Engine)	Kubota K008, K008-3 (D722 Engine)	Kubota KX36-2, KX41-2, KX61-2 (D1105 Engine)
080 043 £19.00	080 053 £23.50	080 054 £66.45	080 024 £34.90	080 036 £30.95
Kubota KX36-3 (D782 Engine), KX41-3 (D902 Engine)	Kubota KX015-4, KX016-4 (D782 Engine)	Kubota KX018-4, KX019-4 (D902 Engine)	Kubota KX61-3, KX71-3 (up to s/n 10339)	Kubota KX71-3 (after s/n 10339)
080 020 £36.90	080 047 £32.00	080 044 £32.00	080 025 £44.40	080 029 £45.10
Kubota KX71-2, KX91-2 (V1505 Engine)	Kubota KX91-3 (D1503 Engine)	Kubota KX91-3S (D1503 Engine)	Kubota KX101-3 Alpha (D1503 Engine)	Kubota KX121-3 (V2203 Engine)
080 035 £36.62	080 027 £44.30	080 030 £45.00	080 038 £41.60	080 031 £40.15
Kubota KX121-3 Alpha, KX161-3 (V2203 Eng)	Kubota KX080-3 (V3307 Engine)	Kubota U10, U10-3 (D722 Engine)	Kubota U15-3, U17-3 Alpha (D902 Engine)	Kubota U35-3, U35-3 Alpha, U35-3 Alpha 2 (D1503 Engine)
080 039 £43.25	080 037 £38.50	080 049 £34.50	080 050 £37.25	080 051 £48.00
Takeuchi TB007 (2TN66L Engine), TB015 (3TNA72 Engine)	Takeuchi TB108 (Yanmar 2TNE & 2TNV)	Takeuchi TB014 (to s/n 11410000) TB016	Takeuchi TB125 Digger (3TNE82 Engine)	Takeuchi TB228, TB250 (4TNV88 Engine)
080 040 £26.13	080 041 £29.00	080 041 £29.00	080 023 £42.00	080 017 £57.70

I - Digger Spares

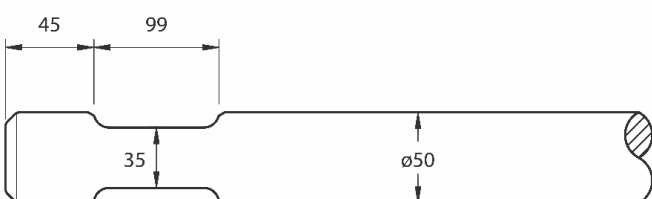
Digger/Rig Mounted Breaker Steels

ATLAS COPCO SB100



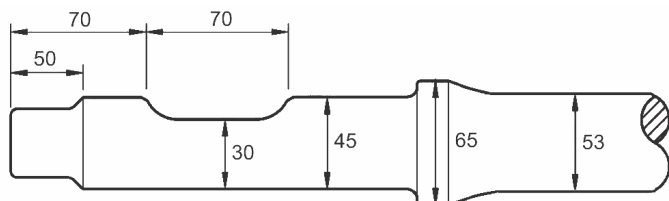
Part No.	Description	Price
100 550	Point 550mm Overall Length	£127.70
100 551	Chisel 550mm Overall Length	£110.40
100 552	Tarmac Cutter	£133.50
Also Fits SBC115, TEX75H / 100H		

ATLAS COPCO SB150



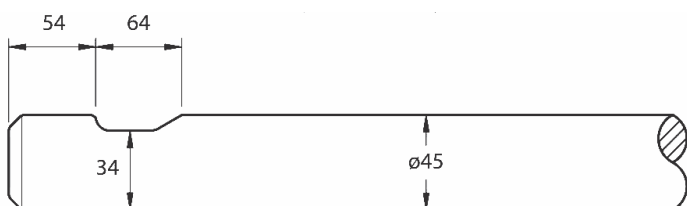
Part No.	Description	Price
173 550	Point 550mm Overall Length	£100.20
170 550	Chisel 550mm Overall Length	£100.20
170 551	Tarmac Cutter	£122.90
Also Fits Atlas Copco SB152, SBC255, TEX110H		

ARROWHEAD S30 (MK1 WITH COLLAR)



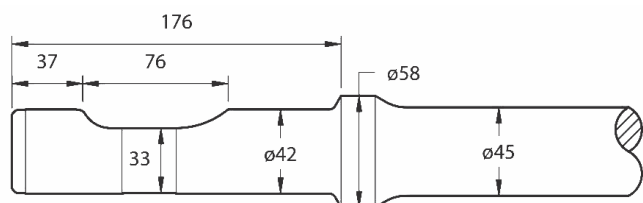
Part No.	Description	Price
110 500	Point 500mm Overall Length Diameter: 53mm	£93.30

RAMMER S21



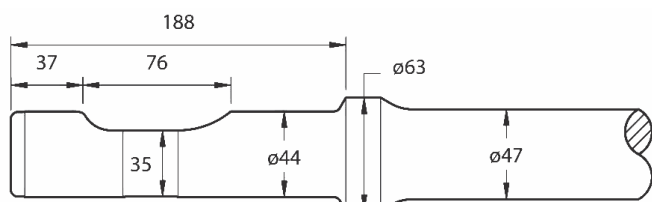
Part No.	Description	Price
113 480	Point 480mm Overall Length	£89.00
110 480	Chisel 480mm Overall Length	£81.90
Also Fits Caterpillar H45FT, Bobcat 1750, Case CB140, JCB HM160, Kubota KXB400/BTB400, O&K H32, Volvo HB130		

MONTABERT SC08



Part No.	Description	Price
463 455	Point 455mm Overall Length	£109.20
460 455	Chisel 455mm Overall Length	£109.20

MONTABERT SC12



Part No.	Description	Price
413 475	Point 475mm Overall Length	£113.90
410 475	Chisel 475mm Overall Length	£98.90
Also Fits Bobcat 580		

Plant Filters

ATLAS COPCO FILTERS



Fig.1



Fig.2



Fig.3



Fig.4



Fig.5



Fig.6

PART NO.	FIG.	OEM NO. & APPLICATION		HEIGHT	O/DIAM	I/DIAM	PRICE
LA1693	1	9234-0001-36	Cobra Breaker	33	155/105	100/55	£6.60
LA1440	2	2914-9306-00	(Inner Filter LA1441)	380	158	97/BL	£20.40
LA1574	2	2914-9302-00	(Inner Filter LA1575)	320	125	78/BL	£14.60
LA1576	2	2914-9300-00	(Inner Filter LA1577)	255	115	64/BL	£18.40
LA1688	2	2914-9310-00	(Inner Filter LA1689)	405	215	120/BL	£37.50
LA1432	2	2914-9304-00	(Inner Filter LA1433)	360	148	88/BL	£19.20
LA1485	3		(Inner Filter LA1671)	180	90	45/BL	£9.50
LA1535	4	2914-9309-00	(Inner Filter LA1537)	400	190	120/BL	£25.60
LA200	5	1619-1269-00		124	140	80	£9.28
LA235	6	1503-2556-00	(Inner Filter LA1223)	263	130/104	63/17	£16.20



Fig.1



Fig.2



Fig.3



Fig.4



Fig.5



Fig.6

PART NO.	FIG.	OEM NO. & APPLICATION		HEIGHT	O/DIAM	I/DIAM	PRICE
LF430	1	124550-55700		88	35	12/BL	£4.80
LF412	2	2900-6492-00		89	52	20/BL	£3.80
LF803/1	3	9712-5401-01		162	79	M16	£8.80
LF814	4	2900-5353-00		90	76	3/4" UNF	£6.40
LF820	5	2914-8121-00		86	76	M16	£4.90
LF4007	6	9232-2306-00	(Cobra Fuel)	30	18	4/BL	£2.00



Fig.1



Fig.2



Fig.3

PART NO.	FIG.	OEM NO. & APPLICATION		HEIGHT	O/DIAM	I/DIAM	PRICE
LO927	1	1202-8497-00		119	76	3/4" UNF	£6.52
LO919	1	1163420		90	76	3/4" UNF	£5.80
LO929	2			147	92	3/4" UNF	£7.10
LO933	3	M67, M78, M-78		80	80	M20	£5.20
LO935	2	1202-8495-00		137	92	1" UNF	£9.14
SEP6018	-	1604-1877-00, 2911-0105-00		135	100	29	£114.90
LOAS4036	-	1615-9436-00, 2911-0068-00		185	125/118	29	£125.30
SEP6069	-	1615-7694-00, 2911-0054-00		155	110/100	29	£126.90

Filters listed are quality, non-genuine replacements except where stated. OEM numbers are given for reference only.

Part Number Prefixes

LA - Air Filter Elements LF - Fuel Filter Elements LO - Oil Filter Elements LH - Hydraulic Filter Elements SEP - Oil Air Separator Elements
BL = Blank BP = Bypass Valve missing

Plant Filters

BENFORD / TEREX FILTERS



Fig.1



Fig.2



Fig.3



Fig.4



Fig.5



Fig.6

BL = Blank

PART NO.	FIG.	OEM NO. & APPLICATION		HEIGHT	O/DIAM	I/DIAM	PRICE
LA1265	1	800555, 800849	(Inner Filter LA1266)	210	104/141	61/8	£27.62
LA1255	2	800553	(Inner Filter LA1345)	210	133/170	71/10	£25.80
LA1410	2	800562	(Inner Filter LA1411)	228	153/210	88/8	£39.54
LA1361	3		(Inner Filter LA1362)	300	105	58/BL	£15.95
LA1574	4		(Inner Filter LA1575)	320	125	78/BL	£14.60
LA1363	4	1586.1248A	(Inner Filter LA1364)	330	142	80/BL	£13.50
LA1515	5	04030100	1D41, MBR71 Roller	85	140	78	£7.20
LA200	6	800445	Petter PH1/PH2	123	140	80	£9.28



Fig.1



Fig.2



Fig.3



Fig.4



Fig.5



Fig.6



Fig.7

PART NO.	FIG.	OEM NO. & APPLICATION		HEIGHT	O/DIAM	I/DIAM	PRICE
LF4015	1	1635210, 5047.4302	MBR71, Hatz Engine	52	28	13/BL	£4.00
LF429	2	7961110, 800453		38	55	21/7	£2.56
700 017	3			118	45	Pipe 6/8	£1.45
LF403	4	800516		72	89	39/19	£3.50
LF803/1	5	01174398	Deutz Engine	162	79	M16	£8.80
LF820	6	01161341	Deutz Engine	86	76	M16	£4.90
LF4033	7	33880, 31871		113	82	16/PLUG	£21.55



Fig.1



Fig.2



Fig.3



Fig.4



Fig.5



Fig.6



Fig.7



Fig.8

PART NO.	FIG.	OEM NO. & APPLICATION		HEIGHT	O/DIAM	I/DIAM	PRICE
LO576	1	700 026, 03795700	MBR71	62	42	13/BL	£4.10
LO500	2	800450	Petter PH1	88	70	33	£5.40
LO933/1	3			70	80	M20	£4.96
LO933	3			80	80	M20	£5.20
LO944	4			60	76	3/4" UNF	£6.60
LO922	5	800459	Lister ST, TS	80	76	3/4" UNF	£5.90
LO9092	6			102	80	M20	£4.95
LH7602	7	1703363	Hydraulic Filter	145	92	3/4" UNF	£20.80

Plant Filters

BERNARD FILTERS



Fig.1



Fig.2

BL = Blank

PART NO.	FIG.	OEM NO. & APPLICATION	HEIGHT	O/DIAM	I/DIAM	PRICE
LA1523	1	20062	49	150/121	105	£6.06
LA1680	2	18015150, 43215	70	95/58	65/30	£6.80

BOBCAT FILTERS



Fig.1



Fig.2



Fig.3



Fig.4



Fig.5

PART NO.	FIG.	OEM NO. & APPLICATION	HEIGHT	O/DIAM	I/DIAM	PRICE
LA1485	1	(Inner Filter LA1671)	180	90	45/BL	£9.50
LA1531	1	(Inner Filter LA1543)	275	105	60/BL	£15.80
LA1363	2	(Inner Filter LA1364)	329	137	81/BL	£13.50
LA1505	2	6666333 (Inner Filter LA1506)	313	129	81/BL	£15.50
LA351	3		184	108/83	46/10	£9.80
LA235	3	(Inner Filter LA1223)	563	130/104	63/17	£16.20
LA1574	4	(Inner Filter LA1575)	320	125	78/BL	£14.60
LA1432	4	756866 (Inner Filter LA1433)	360	148	88/BL	£19.20
LA1440	4	6910726 (Inner Filter LA1441)	380	158	97/BL	£20.40
LA1535	5	(Inner Filter LA1537)	399	195	114/BL	£25.60



Fig.1



Fig.2



Fig.3



Fig.4



Fig.5



Fig.6



Fig.7



Fig.8

PART NO.	FIG.	OEM NO. & APPLICATION	HEIGHT	O/DIAM	I/DIAM	PRICE
LF425	1	15231-43160	88	30	13/BL	£1.95
LF412	2	129100-55650	90	50	20/BL	£3.80
LF426	3	ME408992	37	40	25	£4.50
LF403	4		72	89	39/19	£3.50
LF83	5	MM435190	95	58	8/8 Pipe	£6.40
LF89	6		116	54	6/6 Pipe	£3.64
LF828	7	15221-43080	80	80	M20	£5.20
LF863	8	FS1235, P551039	120	76	M16	£14.10

Plant Filters



Fig.1



Fig.2



Fig.3



Fig.4



Fig.5



Fig.6



Fig.7

BL = Blank

PART NO.	FIG.	OEM NO. & APPLICATION	HEIGHT	O/DIAM	I/DIAM	PRICE
LO9034	1	6671057	65	65	M20	£4.96
LO933	2	3974113B	80	80	M20	£5.20
LO999	2	11900535151	100	80	M20	£5.50
LO9087	3		75	65	M20	£5.26
LO905	4	1C020-32430	100	92	3/4" UNF	£6.10
LO955	4	HH164-32430	85	92	3/4" UNF	£6.50
LO9092	5	6657635	102	80	M20	£4.95
LO927	6		119	76	3/4" UNF	£6.52



Fig.1

PART NO.	FIG.	OEM NO. & APPLICATION	HEIGHT	O/DIAM	I/DIAM	PRICE
LH7514	1		146	92	1" UNF	£12.32
LH7618	1	4294128	145	92	1.1/8" UNF	£12.10

BRIGGS & STRATTON FILTERS



Fig.1



Fig.2

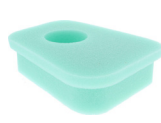


Fig.3



Fig.4



Fig.5

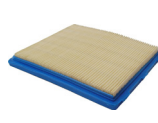


Fig.6

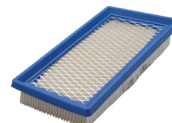


Fig.7



Fig.8

PART NO.	FIG.	OEM NO. & APPLICATION	HEIGHT	O/DIAM	I/DIAM	PRICE
LA1664	1	272235S, 698083	32	149	40	£1.89
LA1256	2	270579	35	133	42	£3.20
LA1257	3	27987	37	140	110	£2.50
LA1341	4	270848	35	140	110	£3.40
LA1730	5	270447	38	152	44	£3.04
LA1588	6	805113	20	160	185	£6.80
LA1403	7	494511	30	88	180	£3.80
LA394	6	397795	22	110	160	£3.10
LA1718	8	623171, 697775, 795115	38	185	78	£4.20

Plant Filters



Fig.1

Fig.2

Fig.3

Fig.4

Fig.5

Fig.6

Fig.7

Fig.8

PART NO.	FIG.	OEM NO. & APPLICATION	HEIGHT	O/DIAM	I/DIAM	PRICE	
LA1245	1	399877	20	118	118	£2.95	
LA1717	2	698083, 797008	28 & 31 Series	38	229	80	£4.00
LA398	3	393959, 491588S	Quantum, Vanguard	20	131	113	£1.85
LA1503	3	710266		28	211	101	£7.44
LA1352	3	491384		38	178	88	£5.68
LA1660	4	499486	Intek 18 - 26hp V-twin	37	185	110	£5.50
LA1719	5	498596, 697029	Intek 5.5 - 6.75hp	75	100/60	65/33	£3.95
LA335	6	393957		98	108	51	£3.35
LA396	6	392308, 353957		72	70	315/55	£3.00
LA294	7	392642, 394018S	12.5-21hp Twin & Vanguard	56	180	140	£5.45
LA1406	7	392286		60	127	89	£7.88
LA1533	8	493909, 496894S	12.5 - 17HP	77	182/71	155/44	£5.40



Fig.1

Fig.2

Fig.3

Fig.4

PART NO.	FIG.	OEM NO. & APPLICATION	HEIGHT	O/DIAM	I/DIAM	PRICE
LF92	1	298090S	42	31	6/6 Pipe	£1.15
LF92/75 MIC	2	394358	44	33	7/7 Pipe	£1.35
LF98	3	691035	32	28	7/7 Pipe	£1.45
LF853	4	820311	120	80	M20/M22	£12.12



Fig.1

Fig.2

Fig.3

Fig.4

PART NO.	FIG.	OEM NO. & APPLICATION	HEIGHT	O/DIAM	I/DIAM	PRICE
LO944	1	492056, 492932	59	76	3/4" UNF	£6.60
LO944/1	1	492932	62	76	3/4" UNF	£3.20
LO9032	2	499532, 820314	76	65	3/4" UNF	£4.64
LO998	3	491056	82	76	3/4" UNF	£4.80
LO901	4		100	92	3/4" UNF	£5.40

Plant Filters

BOMAG FILTERS



Fig.1



Fig.2



Fig.3

PART NO.	FIG.	OEM NO. & APPLICATION	HEIGHT	O/DIAM	I/DIAM	PRICE
LA1225	3	05727215	92	165	90	£11.80
LA1332	1	05730100 (Inner Filter LA1405)	356	165	92/BL	£18.20
LA1515	3	05727220	85	140	78	£7.20
LA1521	3	05722715	92	165	90	£10.72
LA1535	2	05821147 (Inner Filter LA1537)	400	190	120/BL	£25.60
LA1574	2	05821326 (Inner Filter LA1575)	320	125	78/BL	£14.60
LA1688	2	05821149 (Inner Filter LA1689)	405	215	120/BL	£37.50



Fig.1



Fig.2



Fig.3



Fig.4



Fig.5



Fig.6

PART NO.	FIG.	OEM NO. & APPLICATION	HEIGHT	O/DIAM	I/DIAM	PRICE
LF107	3		116	54	8/8 Pipe	£7.60
LF425	1	05740113	88	30	13/BL	£1.95
LF801	2	05711730	122	76	M16	£5.08
LF820	4	05711729	86	76	M16	£4.90
LF823	5	05821330	165	82	M16	£8.00
LF4015	6	05823502	52	28	13/BL	£4.00



Fig.1



Fig.2



Fig.3



Fig.4



Fig.5

PART NO.	FIG.	OEM NO. & APPLICATION	HEIGHT	O/DIAM	I/DIAM	PRICE
LO576	1	05727382	64	42	13/B.P.	£4.10
LO919	2	05710621	90	76	3/4" UNF	£5.80
LO927	3	05710632	119	76	3/4" UNF	£6.52
LO935	4	05710639	137	92	1" UNF	£9.14
LO944	5	05712600	60	76	3/4" UNF	£6.60



Fig.1

PART NO.	FIG.	OEM NO. & APPLICATION	HEIGHT	O/DIAM	I/DIAM	PRICE
LH7602	1	05821203	145	92	3/4" UNF	£20.80

Plant Filters

COMPAIR FILTERS



Fig.1



Fig.2



Fig.3



Fig.4

PART NO.	FIG.	OEM NO. & APPLICATION	HEIGHT	O/DIAM	I/DIAM	PRICE
LA1576	1	9826251363 (Inner Filter LA1577)	251	116	64/BL	£18.40
LA1432	1	982615126001 (Inner Filter LA1433)	360	148	88/BL	£19.20
LA1440	1	982625125001 (Inner Filter LA1441)	380	158	97/BL	£20.40
LA1361	2	(Inner Filter LA1362)	300	105	60/BL	£15.95
LA1363	2	13306974, A13306974 (Inner Filter LA1364)	329	137	81/BL	£13.50
LA1332	2	13316774 (Inner Filter LA1405)	350	160	87/BL	£18.20
LA1535	3	98262207 (Inner Filter LA1537)	399	195	114/BL	£25.60
LA237	4	C11561655 (Inner Filter LA1222)	314	198/155	88/17	£23.56



Fig.1



Fig.2



Fig.3

PART NO.	FIG.	OEM NO. & APPLICATION	HEIGHT	O/DIAM	I/DIAM	PRICE
LF403	1	C11158427	72	89	39/19	£3.50
S499	2	100012359	118	82	M16	£28.00
LF823	2		162	82	M16	£8.00
LF820	3	C16012050	86	76	M16	£4.90



Fig.1



Fig.2



Fig.3



Fig.4



Fig.5



Fig.6

PART NO.	FIG.	OEM NO. & APPLICATION	HEIGHT	O/DIAM	I/DIAM	PRICE
LO927	1	C16011251 Deutz (Long)	119	76	3/4" UNF	£6.52
LO944	2	13234674	60	76	3/4" UNF	£6.60
LO919	2	982621009 Deutz (Short)	90	76	3/4" UNF	£5.80
LH7600	3	C160120303 Hydraulic Filter	215	92	1" UNF	£13.50
LH7605	3	Hydraulic Filter	147	92	1.1/2" UNF	£23.90
LO9092	4	100008389	98	80	M20	£4.95
SEP6013	5	10012674 Oil Air Separator	160	135/170	75/BL	£178.70
SEP6046	-	13138274 Oil Air Separator	230	170/200	40/BL	£144.50
SEP6070S	6	13010174 Oil Air Separator	175	138	M39	£98.10

Oil Filter Band Wrench



Band type oil filter wrench. Steel strap with heavy-duty cast body and control knob. Removes filters with minimal risk of damage. Ideal for servicing newer vehicles or when the filter needs to be refitted. 65 - 110mm

750 100

£7.83

Oil Filter Strap Wrench



Strap type oil filter wrench. Operated by using a 1/2" square drive socket wrench. 120mm nylon webbing strap.

999 995

£6.75

Plant Filters

DOOSAN FILTERS



Fig.1



Fig.2

PART NO.	FIG.	OEM NO. & APPLICATION	HEIGHT	O/DIAM	I/DIAM	PRICE
LA1432	1	(Inner Filter LA1433)	360	148	88/BL	£19.20
LA1535	2	(Inner Filter LA1537)	400	190	120/BL	£25.60
LA1574	1	(Inner Filter LA1575)	320	125	78/BL	£14.60



Fig.1



Fig.2



Fig.3



Fig.4



Fig.5

PART NO.	FIG.	OEM NO. & APPLICATION	HEIGHT	O/DIAM	I/DIAM	PRICE
LF855	1		70	35	12/BL	£6.40
LF882	2		117	53	20/20	£5.20
LF889	3		80	92	M20	£13.25
LF4018	4		80	76	M20	£6.90
LF4042	5		80	96	1" UNF	£7.10



Fig.1

PART NO.	FIG.	OEM NO. & APPLICATION	HEIGHT	O/DIAM	I/DIAM	PRICE
LO933	1		80	80	M20	£5.20
LO9092	2		98	80	M20	£4.95



Fig.1

PART NO.	FIG.	OEM NO. & APPLICATION	HEIGHT	O/DIAM	I/DIAM	PRICE
LH7658	1		140	94	1 1/4" UNF	£21.10

Plant Filters

GENSET FILTERS



Fig.1



Fig.2



Fig.3

PART NO.	FIG.	OEM NO. & APPLICATION	HEIGHT	O/DIAM	I/DIAM	PRICE
LA1332	1	(Inner Filter LA1405)	356	165	92/BL	£18.20
LA1361	1	(Inner Filter LA1362)	300	105	65/BL	£15.95
LA1363	2	(Inner Filter LA1364)	330	142	80/BL	£13.50
LA1372	3		262	148/104	64/7	£17.46
LA1505	2	(Inner Filter LA1506)	313	129	81/BL	£15.50
LA1531	1	(Inner Filter LA1543)	275	105	60/BL	£15.80



Fig.1



Fig.2



Fig.3



Fig.4

PART NO.	FIG.	OEM NO. & APPLICATION	HEIGHT	O/DIAM	I/DIAM	PRICE
LF4034	1		160	76	35/BL	£16.30
LF4042	2		117	53	20/20	£7.10
LF828	3		80	80	M20	£5.20
LF855	4		275	105	M20	£6.40



Fig.1



Fig.2



Fig.3



Fig.4

PART NO.	FIG.	OEM NO. & APPLICATION	HEIGHT	O/DIAM	I/DIAM	PRICE
LO929	1		145	92	3/4" UNF	£7.10
LO933	2		90	80	M20	£5.20
LO944	3		60	76	3/4" UNF	£6.60
LO9068	3		110	76	M20	£7.62
LO9087	4		75	65	M20	£5.26
LO9092	1		98	80	M20	£4.95

Filters listed are quality, non-genuine replacements except where stated. OEM numbers are given for reference only.

Part Number Prefixes

LA - Air Filter Elements LF - Fuel Filter Elements LO - Oil Filter Elements LH - Hydraulic Filter Elements SEP - Oil Air Separator Elements
BL = Blank BP = Bypass Valve missing

Plant Filters

HATZ FILTERS



Fig.1



Fig.2



Fig.3



Fig.4



Fig.5

PART NO.	FIG.	OEM NO. & APPLICATION		HEIGHT	O/DIAM	I/DIAM	PRICE
LA1569	1	700 025, 50426000	1B20, 1B30, 1D20, 1D30	78	115	52/6	£6.50
50426000	1	Genuine Hatz	1B20, 1B30, 1D20, 1D30	78	115	52/6	£12.25
LA1704	2	50484100	1B40, 1B50, 1D40, 1D50	85	142	52/6	£9.95
50484102	2	Genuine Hatz	1B40, 1B50, 1D40, 1D50	85	142	52/6	£14.52
LA1515	3	04030100	1D Series, Supra	85	140	78	£7.20
04030100	3	Genuine Hatz	1D Series, Supra	85	140	78	£11.58
LA1521	4	40084500, 1493000	1D, L, H, M, E, Z Series	92	165	90	£10.72
LA1386	5	40952900, 9522900	1D, L, H, M, E Series	95	244/165	139/60	£13.90



Fig.1



Fig.2



Fig.3



Fig.4



Fig.5



Fig.6



Fig.7



Fig.8

PART NO.	FIG.	OEM NO. & APPLICATION		HEIGHT	O/DIAM	I/DIAM	PRICE
LF4015	1	700 027, 01635201	1B, 1D Series	52	28	13/BL	£4.00
01635210	1	Genuine Hatz	1B, 1D Series	52	28	13/BL	£7.43
LF4030	2	504743011004	1B20	78	29	4 Pipe	£9.74
LF487	3	40043800	E, ES, Z Series	135	79	9	£4.60
LF88	4	50478800	1B, 1D Series	116	54	8/8 Pipe	£3.95
50478800	5	Genuine Hatz	1B, 1D Series	116	54	8/8 Pipe	£7.25
LF107	5			116	54	8/8 Pipe	£7.60
LF90	6	50539200	1B, 1D Series	100	55	5/6/6 Pipe	£7.90
50539200	6	Genuine Hatz	1B, 1D Series	100	55	5/6/6 Pipe	£44.24
LF823	7			162	82	M16	£8.00
LF820	8			86	76	M16	£4.90



Fig.1



Fig.2



Fig.3



Fig.4



Fig.5

PART NO.	FIG.	OEM NO. & APPLICATION		HEIGHT	O/DIAM	I/DIAM	PRICE
LO576	1	700 026, 01480001	1D Series	62	42	13/BL	£4.10
01480001	1	Genuine Hatz	1B, 1D Series	62	42	13/BL	£9.42
LO944	2	50302800, 50408400	2G40	60	76	3/4" UNF	£6.60
LO939	3	40038100989	E, Z Series	100	92	3/4" UNF	£8.42
01542703	4	Genuine Hatz	1B, 1D Series	130	30	15	£25.69
LH7602	5		Hydraulic Filter	136	92	3/4" UNF	£20.80

Plant Filters

HITACHI FILTERS



Fig.1



Fig.2



Fig.3



Fig.4



Fig.5

PART NO.	FIG.	OEM NO. & APPLICATION	HEIGHT	O/DIAM	I/DIAM	PRICE
LA1485	1	E4607538 (Inner Filter LA1671)	180	90	45/BL	£9.50
LA1531	2	4417516 (Inner Filter LA1543)	275	105	60/BL	£15.80
LA1505	3	4290940, 76547841 (Inner Filter LA1506)	313	129	81/BL	£15.50
LA1332	4	151849148, 4486002 (Inner Filter LA1405)	356	165	92/BL	£18.20
LA351	5	3214300200, 76585406	184	82	46/10	£9.80
LA245	4	40014300, 76543086 (Inner Filter LA1345)	292	162/132	67/17	£15.60
LA237	4	4130876, 76541938 (Inner Filter LA1222)	314	198/155	88	£23.56



Fig.1



Fig.2



Fig.3



Fig.4



Fig.5



Fig.6



Fig.7

PART NO.	FIG.	OEM NO. & APPLICATION	HEIGHT	O/DIAM	I/DIAM	PRICE
LF412	1	4366704, 76560928	90	50	20/BL	£3.80
LF425	2	4272369, 4294839	88	30	13/BL	£1.95
LF430	3	4313065, 4376643	88	35	12/BL	£4.80
LF434	4	4294842, 76568664	70	35	12/BL	£4.80
LF83	5	4120300	98	45	8/8 Pipe	£6.40
LF832	6	4183854	73	92	3/4" UNF	£6.24
LF814	7	4265247	89	76	3/4" UNF	£6.40



Fig.1



Fig.2



Fig.3

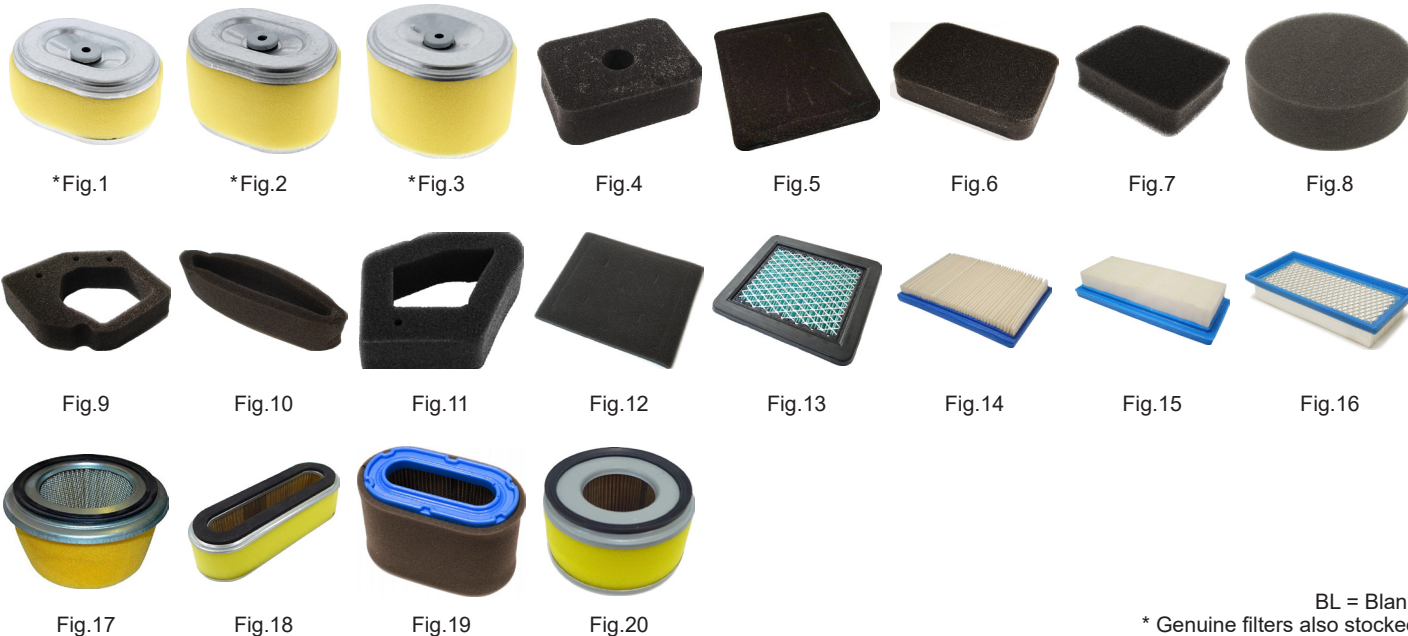


Fig.4

PART NO.	FIG.	OEM NO. & APPLICATION	HEIGHT	O/DIAM	I/DIAM	PRICE
LO9033	1	76567343	85	65	M20	£5.04
LO9041	3		93	65	3/4" UNF	£5.00
LO997	1	4439863, 71457011	136	102	1"-12 UNF	£11.90
LO933	2	76567343	80	80	M20	£5.20
LO929	3	1930970	137	92	3/4" UNF	£7.10
LO903	4	76547755, L4278859	137	92	3/4" UNF	£7.10

Plant Filters

HONDA FILTERS



BL = Blank
* Genuine filters also stocked

PART NO.	FIG.	OEM NO. & APPLICATION		HEIGHT	O/DIAM	I/DIAM	PRICE
700 002	1	17210 ZE0 822	GX110, GX120	52	103/73	33/6	£4.50
700 003	2	17210 ZE1 505	GX140, GX160, GX200	70	103/73	33/6	£4.50
700 004	3	17210 ZE2 821	GX240, GX270	78	102/90	40/6	£7.00
700 005	3	17210 ZE3 010	GX340, GX390	90	110/95	40/6	£7.00
17211 ZE1 000	4		GX120, GX160, GX200	40	130	100	£10.78
17211 ZM7 000	5		GXH50	12	90	90	£5.22
17211 899 000	6		GX240, GX270, GX340, GX390	160	30	110	£12.40
700 001	7	17211 896 000	G100	20	80	100	£1.90
LA169	8	17211 883 010	G150, G200	38	119	-	£2.71
17211 Z0H 000	9		GX25	20	70	90	£4.52
17211 ZM3 000	10		GX22, GX31, FS25-4	30	120	-	£4.82
17211 Z0Z 000	11		GX35	20	75	95	£4.58
17218 Z0D 000	12	Pre Filter	GX100	8	130	110	£4.12
17211 ZL8 023	13		GX100, GC & GCV	20	115	135	£8.50
LA1478	14	17211 ZG9 M0D	GXV140, GXV160	25	90	145	£3.40
LA1497	15	17211 ZG9 800	GXV140, GXV160	24	60	137	£3.11
LA1594	16	17211 883 W20	G150, G200	27	89	178	£6.84
LA341	17	17211 890 023	G300, G400	70	137/98	77/6	£6.58
LA1578	18	17210 ZE7 013	GXV160 (64mm Hole Centres)	62	179/62	141/27/6	£7.30
LA141	18	17210 Z1V 003	GXV160 (75mm Hole Centres)	43	187/63	158/27/6	£6.90
LA381	18	17210 ZE6 003	GXV120/140, GV150/200	48	180/56	153/29	£5.35
LA1633	19	17211 ZF5 V01	HF1211, HF2113	85	133/75	89/28/9	£7.65
LA133	20	17210 ZG3 003	700 012, GD320, GD410, GD411	70	122	60/6	£8.60

Plant Filters



Fig.1



Fig.2



Fig.3

PART NO.	FIG.	OEM NO. & APPLICATION		HEIGHT	O/DIAM	I/DIAM	PRICE
LF468	1	17682 ZG3 000	GD320, GD410, GD411	140	50	16/BL	£15.54
LF497	2	17682 ZG5 003	EB12D, H6522	97	50	10/BL	£9.30
LF98	3			32	28	7/7 Pipe	£1.45



Fig.1



Fig.2



Fig.3



Fig.4



Fig.5

PART NO.	FIG.	OEM NO. & APPLICATION		HEIGHT	O/DIAM	I/DIAM	PRICE
LO532	1	15221 ZG3 000	GD320, GD410, GD411	57	30	8/B.P	NLA
LO9034	2	15400 PJ7 015	BF15, BF20, D3, D4	65	65	M20	£4.96
LO9033	3	15400 ZJ1 004	GX610, GX620	85	65	M20	£5.04
LO933	4	15400 PT7 005		80	80	M20	£5.20
LO933/1	4	15400-579-003		70	80	M20	£4.96
LO9087	5			75	65	M20	£5.26

INGERSOLL RAND FILTERS



Fig.1



Fig.2



Fig.3



Fig.4



Fig.5

PART NO.	FIG.	OEM NO. & APPLICATION		HEIGHT	O/DIAM	I/DIAM	PRICE
LA1332	1	59046797, 59106393	(Inner Filter LA1405)	350	160	87/BL	£18.20
LA1361	1	85400646, 92847490	(Inner Filter LA1362)	300	105	58/BL	£15.95
LA1363	1	35393685, 85400679	(Inner Filter LA1364)	329	137	81/BL	£13.50
LA1560	1	85400737	(Inner Filter LA1798)	522	280	148/BL	£59.60
LA1440	2	54626452	(Inner Filter LA1441)	380	160	148/BL	£20.40
LA1576	2	54516075	(Inner Filter LA1577)	253	115	64/BL	£18.40
LA1574	2	22295794	(Inner Filter LA1575)	320	125	78/BL	£14.60
LA1432	2	5501660750, 89232474	(Inner Filter LA1433)	360	148	88/BL	£19.20
LA1535	3	88110556	(Inner Filter LA1537)	400	190	120/BL	£25.60
LA237	4	118H1105, 35108950	(Inner Filter LA1222)	314	198/155	88/17	£23.56
LA1624	5	88171913, 13294374		80	100	67	£16.76

Plant Filters



Fig.1



Fig.2



Fig.3



Fig.4



Fig.5



Fig.6



Fig.7



Fig.8

PART NO.	FIG.	OEM NO. & APPLICATION	HEIGHT	O/DIAM	I/DIAM	PRICE
LF434	1	104500-55710	70	35	12/BL	£4.80
700 017	2		118	52	6/8 Pipe	£1.45
LF803/1	3	59438812, 88111430	162	79	M16	£8.80
LF814	4	54381306, 85448454	7-21, 7-26, 7-41	90	3/4" UNF	£6.40
LF814/1	4	93152080		92	3/4" UNF	£6.20
LF820	5	35002512, 35302512	P100, P130, P150	86	M16	£4.90
LF882	5			80	M20	£5.20
LF4033	6	31871, 33880		113	16/PLUG	£21.55
LF889	7	54525530	7-41, 7-71	80	1" UNF/M80	£13.25
LF828	8	36870566		72	M20	£5.20
LF855	8	22226369		80	M20	£6.40
LF4042	8			177	20/20	£7.10
LF4040	-	22226377		155	M20	£20.96



Fig.1



Fig.2



Fig.3



Fig.4



Fig.5



Fig.6

PART NO.	FIG.	OEM NO. & APPLICATION	HEIGHT	O/DIAM	I/DIAM	PRICE	
LO919	1	59769265	Deutz (Short)	90	76	3/4" UNF	£5.80
LO927	2	35336163, 59489583	Deutz (Long)	119	76	3/4" UNF	£6.52
LO933	3	54429675		80	80	M20	£5.20
LO944	4	1180592		60	76	3/4" UNF	£6.60
LO9092	4	36870574		100	80	M20	£4.95
LO9108	5			86	65	3/4" UNF	£5.60
LO931	5	92890599		145	76	3/4" UNF	£6.30
LO999	6			100	80	M20	£5.50



Fig.1



Fig.2

PART NO.	FIG.	OEM NO. & APPLICATION	HEIGHT	O/DIAM	I/DIAM	PRICE	
LH7658	1	35325083		136	92	1.1/4" UNF	£21.10
LH7602	1	92128859		145	92	3/4" UNF	£20.80
LH7631	2	35296920		225	92	1.1/4" UNF	£15.84

Filters listed are quality, non-genuine replacements except where stated. OEM numbers are given for reference only.

Part Number Prefixes

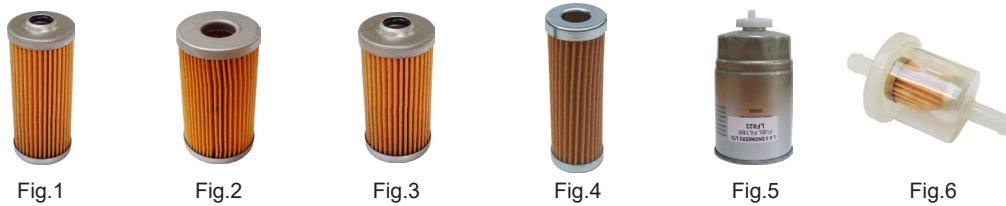
LA - Air Filter Elements LF - Fuel Filter Elements LO - Oil Filter Elements LH - Hydraulic Filter Elements SEP - Oil Air Separator Elements
BL = Blank BP = Bypass Valve missing

Plant Filters

JOHN DEERE FILTERS



PART NO.	FIG.	OEM NO. & APPLICATION	HEIGHT	O/DIAM	I/DIAM	PRICE
LA398	1	LG491588JD, PT15853	20	131	113	£1.85
LA1348	2	M83646	45	178	143	£5.14
LA1467	2	AM47494	65	177	141	£5.80
LA228	3	AM37201	79	152	118	£5.74
LA1485	4	M113621, M807331	180	90	45/BL	£9.50
LA1531	4	M131802, RG60690	275	105	60/BL	£15.80
LA351	5	GG42031932, M73009	184	82	46/10	£9.80
LA1356	6	02165021	172	94	43/9	£28.36
LA1435	7	AM104560	81	156/73	120/36	£8.40
LA1233	8	AEK2172, CAK6910	184	127/83	47/11	£14.80



PART NO.	FIG.	OEM NO. & APPLICATION	HEIGHT	O/DIAM	I/DIAM	PRICE
LF430	1	AT256025, CH10479	88	35	12/BL	£4.80
LF412	2	T111383	90	50	20/BL	£3.80
LF434	3	AM879317, CH15553	69	35	20/BL	£4.80
LF425	4	15231-43160	87	29	13/BL	£1.95
LF823	5	068127177B	162	82	M16	£8.00
LF98	6	691035	32	28	7/7 Pipe	£1.45



PART NO.	FIG.	OEM NO. & APPLICATION	HEIGHT	O/DIAM	I/DIAM	PRICE
LO9032	1	AM105172, AM105555	76	65	3/4" UNF	£4.64
LO9034	2	M806418	65	65	M20	£4.96
LO928	3		100	92	M20	£8.42
LO933/1	4	AM101378	70	80	M20	£4.96
LO919	1	AM31205, AM37025	98	76	3/4" UNF	£5.80

Plant Filters

JCB FILTERS



Fig.1



Fig.2



Fig.3



Fig.4



Fig.5



Fig.6



Fig.7



Fig.8



Fig.9

PART NO.	FIG.	OEM NO. & APPLICATION	HEIGHT	O/DIAM	I/DIAM	PRICE
LA1363	1	32-919001 (Inner Filter LA1364)	330	142	80/BL	£13.50
LA1432	2	32-915802 (Inner Filter LA1433)	360	142	88/BL	£19.20
LA1535	2	580-12020	400	190	115/BL	£25.60
LA1797	3	32-919902 (Inner Filter LA1810)	187	88	52/BL	£7.10
LA1332	3	32-915701 (Inner Filter LA1405)	350	160	87/BL	£18.20
LA1440	2	32-918901 (Inner Filter LA1441)	380	158	97/BL	£20.40
LA1361	4	32-925348 (Inner Filter LA1362)	300	105	58/BL	£15.95
LA1485	5	32-919902 (Inner Filter LA1671)	180	90	45/BL	£9.50
LA1784	9	333/D2696	150	248/145		NLA
LA1734	7	32-925894 (Inner Filter LA1735)	268	115/85	54/BL	£17.80
LA1505	8	32-917301 (Inner Filter LA1506)	310	128	80/BL	£15.50
LA1770	9	32-925682 (Inner Filter LA1771)	175	248/145		NLA
900 926	6	30-926020 (Cabin)	20	417/100		£8.24



Fig.1



Fig.2



Fig.3



Fig.4



Fig.5



Fig.6



Fig.7

PART NO.	FIG.	OEM NO. & APPLICATION	HEIGHT	O/DIAM	I/DIAM	PRICE
LF108	1	32-922300	60	45	8/8	£4.90
LF403	2	32-401102	72	89	39/19	£3.50
LF823	3	32-912001	152	82	M16	£8.00
LF4052	4	32-925838	136	95	25/BL	£9.50
LF4061	4	332-G0652	200	95	25/BL	£17.50
LF4036	6	22-925666	95	80	16/PLUG	£11.20
LF4046	6	32-925975	125	80	16/PLUG	£16.60
LF4048	6	32-925869	168	80	16/PLUG	£14.00
LF4053	5	17-926101	37	40	25	£9.36
LF4054	6	32-925694	110	80	16/PLUG	£14.50
LF8000	7	320-07155, 320-07394	178	86	9/8	£13.50
LF4034	-	32-925423	160	76	35/BL	£16.30
LF255	-	320-07382	160	80	M94	£26.99

Filters listed are quality, non-genuine replacements except where stated. OEM numbers are given for reference only.

Part Number Prefixes

LA - Air Filter Elements LF - Fuel Filter Elements LO - Oil Filter Elements LH - Hydraulic Filter Elements SEP - Oil Air Separator Elements
BL = Blank BP = Bypass Valve missing

Plant Filters

JCB FILTERS



Fig.1



Fig.2



Fig.3



Fig.4



Fig.5



Fig.6



Fig.7

PART NO.	FIG.	OEM NO. & APPLICATION	HEIGHT	O/DIAM	I/DIAM	PRICE
LO919	1	02-630935	90	76	3/4" UNF	£5.80
LO929	2	02-100284	137	92	3/4" UNF	£7.10
LO930	3	02-100073	180	92	3/4" UNF	£8.90
LO955	4	02-630795	85	92	3/4" UNF	£6.50
LO9108	5	02-630925	90	65	3/4" UNF	£5.60
LO9112	6	320-04133, 581-18096	170	92	M22	£10.30
LO9114	7	02-801481	205	115	1.1/2" UNF	£43.60



Fig.1



Fig.2



Fig.3



Fig.4



Fig.5



Fig.6

B.P = Bypass Valve

PART NO.	FIG.	OEM NO. & APPLICATION	HEIGHT	O/DIAM	I/DIAM	PRICE
LH7501	1	32-902301, 333IC4690		137	94	£14.84
LH7708	1	32-915500, 581-18062	98	93	3/4" UNF	£7.90
LH7372	2	32-925858	216	69	40/B.P.	£95.70
LH7139	2	32-913500, 32-313500	230	58	33/B.P.	£30.80
LH7359	2	32-925363	195	42	21/B.P.	£34.00
LH7360	3	32-925164	110	120/110	30/40	£25.20
LH7361	4	32-925140	113	200	26/38	£58.00
LH7362	5	32-925197, 32-925214	295	110	70	£29.32
LH7315	-	PP-1775	73	52	24/B.P.	£18.78
LH7371	-	333-W3719	310	69	40/B.P.	£101.20
LH7373	6	32-920300	320	64	M72/BL	£17.16

Oil Filter Band Wrench



Band type oil filter wrench. Steel strap with heavy-duty cast body and control knob. Removes filters with minimal risk of damage. Ideal for servicing newer vehicles or when the filter needs to be refitted. 65 - 110mm

750 100

£7.83

Oil Filter Strap Wrench



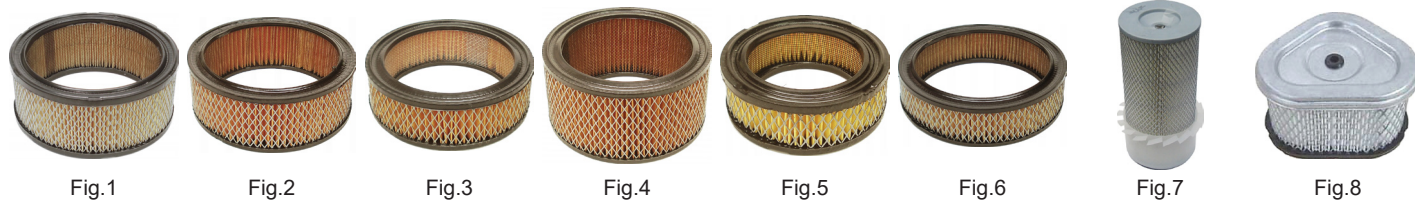
Strap type oil filter wrench. Operated by using a 1/2" square drive socket wrench. 120mm nylon webbing strap.

999 995

£6.75

Plant Filters

KOHLER FILTERS



PART NO.	FIG.	OEM NO. & APPLICATION	HEIGHT	O/DIAM	I/DIAM	PRICE
LA1491	1	2408303	75	177	142	£6.60
LA1467	2	251398, 4708303	65	177	141	£5.80
LA227	3	235116S, 4708302	49	154	118	£6.80
LA228	4	3508302, 4508302	79	152	118	£5.74
LA324	5	1508306, 230840S	39	114	77	£4.28
LA1348	6	4708301S, 4708304	45	178	143	£5.14
LA235	7	258646, A249753 (Inner Filter LA1223)	265	130/104	63/17	£16.20
LA1614	8	M92359, 1208305	73	113/95	85/65	£8.20



PART NO.	FIG.	OEM NO. & APPLICATION	HEIGHT	O/DIAM	I/DIAM	PRICE
LF429	1	201133112	37	57	21/7	£2.56
LF89	2	492836, 2405002	116	54	6/6 Pipe	£3.64
LF828	3	252765, 252898	72	80	M20	£5.20



PART NO.	FIG.	OEM NO. & APPLICATION	HEIGHT	O/DIAM	I/DIAM	PRICE
LO601	1		97	95	33	£6.56
LO908	2	277233	117	76	3/4" UNF	£5.90
LO919	2		90	76	3/4" UNF	£5.80
LO933	3		80	80	M20	£5.20
LO944	4	1205008S, 2805001	59	76	3/4" UNF	£6.60
LO922	5	1202001, 5205002S	89	76	3/4" UNF	£5.90
LO998	6	1202001, 5205002S	89	76	3/4" UNF	£4.80

Filters listed are quality, non-genuine replacements except where stated. OEM numbers are given for reference only.

Part Number Prefixes

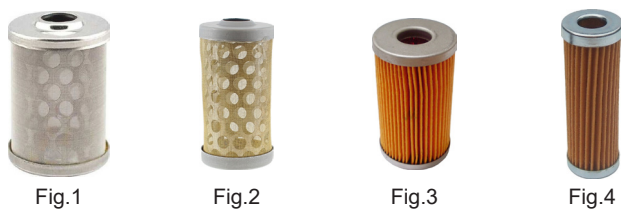
LA - Air Filter Elements LF - Fuel Filter Elements LO - Oil Filter Elements LH - Hydraulic Filter Elements SEP - Oil Air Separator Elements
BL = Blank BP = Bypass Valve

Plant Filters

KUBOTA FILTERS



PART NO.	FIG.	OEM NO. & APPLICATION		HEIGHT	O/DIAM	I/DIAM	PRICE
LA1434	1	11420-11180	KH31/35/36/50/51/55	50	127/124	64/50	£11.80
LA1476	2	12182-11080	GH400, GS280	65	122	59/6	£11.38
LA1477	3	11460-11180	OC60E, OC95E	74	126/122	59/6	£12.60
LA1485	4	K1211-82320	(Inner Filter LA1671)	189	90	45/BL	£9.50
LA1531	5	TA040-93230	(Inner Filter LA1543)	275	105	60/BL	£15.80
LA1363	5	59800-26110	(Inner Filter LA1364)	330	140	81/BL	£13.50
LA1505	6	R1401-42270	(Inner Filter LA1506)	313	129	81/BL	£15.50
LA235	7	15104-11080	(Inner Filter LA1223)	263	130/104	63/17	£16.20
LA1513	8	6C040-94240	KX36-2, KX41-2, KX61-2	182	84	54/17	£12.40
LA1514	9	6C040-94250	(Inner Filter for LA1513)	158	51	39/17	£13.20
LA1631	10	6A100-82630	K008, KX36-3, KX41-3	176	90	45/BL	£9.95
LA1632	11	32721-58242	(Inner Filter for LA1631)	164	42	31/BL	£16.90
LA1683	10	T0270-16321	KX61-3, KX71-3, KX91-3	244	107	55/BL	£18.20
LA1801	10	RD1584-2770	(Inner Filter LA1802)	256	112	64/BL	£29.74
LA1803	10	1G319-11210	(Inner Filter LA1804)	195	98	55/BL	£15.80
LA1712	11	T0270-93220	(Inner Filter for LA1683)	230	55	43/BL	£17.60
LA245	7	15000-37101	KX90, KX121, KX151	292	162/132	67/17	£15.60
LA351	12	15221-11220	KH8, KH30, KH31, KH36	184	108/83	46/10	£9.80
LA1233	13	15227-87480	KH10, KH21, KX41, KX61	184	127/83	47/11	£14.80
LA1372	14	15741-11080	KX71, KX91-2	262	148/104	64/7	£17.46
LA1407	15	14971-11180	EA300	109	86	31/25	£10.80
LA1576	16	K3181-82240	(Inner Filter LA1577)	251	116	64/BL	£18.40



PART NO.	FIG.	OEM NO. & APPLICATION		HEIGHT	O/DIAM	I/DIAM	PRICE
LF467	1	RB101-51280		48	35	12/BL	£5.40
LF4018	2	15291-43010		69	35	12/BL	£6.90
LF4022	3	RA211-51280		79	50	20/BL	£3.80
LF425	4	15231-43560		87	29	13/BL	£1.95

Plant Filters



Fig.1



Fig.2



Fig.3



Fig.4



Fig.5



Fig.6



Fig.7



Fig.8

PART NO.	FIG.	OEM NO. & APPLICATION	HEIGHT	O/DIAM	I/DIAM	PRICE
LF412	1	15221-43160	89	52	20/BL	£3.80
LF430	2	15224-43010	89	35	13/BL	£4.80
700 017	3		50	45	6/8 Pipe	£1.45
LF882	4	15221-43171	75	76	M20	£5.20
LF814	5	16631-43560	89	76	3/4" UNF	£6.40
LF828	6	15221-43081	72	80	M20	£5.20
LF842	7	19909-11151	168	82	M8	£13.04
LF855	8	15601-43170	80	92	M20	£6.40
LF103	-	12581-43012, 12581-43013	100	45	8/8	£3.11
LF4040	8	1K947-43170, 1K947-43171	155	93	M20	£20.96
LF8002	-	HHV00-5192-0	130	94	3/4 UNF	£14.76



Fig.1



Fig.2



Fig.3



Fig.4



Fig.5



Fig.6



Fig.7

PART NO.	FIG.	OEM NO. & APPLICATION	HEIGHT	O/DIAM	I/DIAM	PRICE
LO902	1	15521-32430	98	94	3/4" UNF	£6.20
LO905	2	1C020-32430	101	95	3/4" UNF	£6.10
LO9087	3	15853-32430	78	65	M20	£5.26
LO9111	3	HH150-32430, W21ES01500	68	65	M20	£5.00
LO9092	4	16271-32090, HH160-32093	98	80	M20	£4.95
LO922	5	70000-14673	89	76	3/4" UNF	£5.90
LO933	6	15241-39092, 70000-43080, HH150-32094	80	80	M20	£5.20
LO933/1	6	15241-32090, HH152-32432	70	80	M20	£4.96
LO955	7	15906-32090	89	92	3/4" UNF	£6.50

LISTER PETTER FILTERS



Fig.1



Fig.2



Fig.3



Fig.4

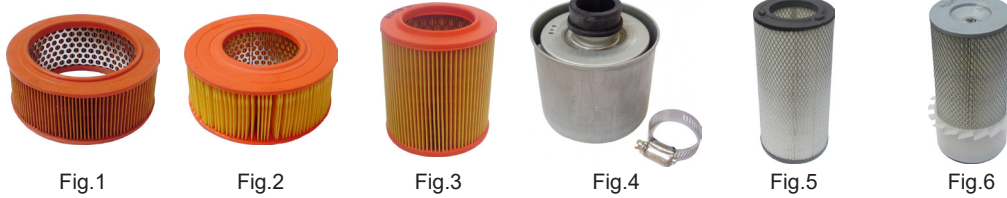


Fig.5

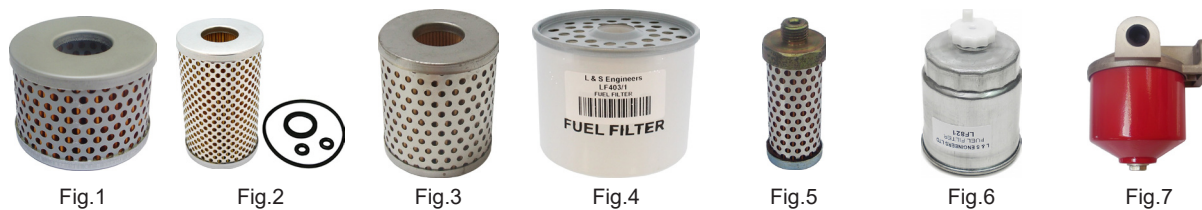
PART NO.	FIG.	OEM NO. & APPLICATION	HEIGHT	O/DIAM	I/DIAM	PRICE
LA200	1	289185 PH1 PJ1	124	140	80	£9.28
LA211	2	292364 PAZ, AC1	60	140	80	£8.00
LA224	3	268752 AA1 AB1	51	93	49	£3.56
LA232	4	334402 AB1 AC1	73	93	49	£4.32
LA366	5	363722 AD1, AC1 Series 2	106	94	52	£5.38

Plant Filters

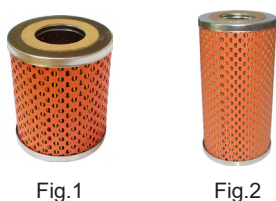
LISTER PETTER FILTERS (CNTD.)



PART NO.	FIG.	OEM NO. & APPLICATION	HEIGHT	O/DIAM	I/DIAM	PRICE
LA156	1	366-06227 ST	63	148	107	£7.68
LA226	2	366-07188 TS	70	170	89	£8.24
LA1238	2	366-07723 TS3 TR3	96	173	87	£9.28
LA265	3	601-31350 LT1 LT2	106	93	49	£6.90
LA1200	4	601-42520 LT Cannister	90	84	19/BL	£7.92
LA1361	5	366-08105 (Inner Filter LA1362)	301	105	60/BL	£15.95
LA1363	5	366-08109 (Inner Filter LA1364)	329	137	81/BL	£13.50
LA235	6	602-41760 (Inner Filter LA1233)	263	130/104	63/17	£16.20
LA245	6	757-15230 (Inner Filter LA1596)	292	162/132	67/17	£15.60



PART NO.	FIG.	OEM NO. & APPLICATION	HEIGHT	O/DIAM	I/DIAM	PRICE
LF429	1	201-13118 PH PJ	38	55	21/7	£2.56
LF457	2	201-13116 PC3 PC4	89	55	21/7	£3.64
LF416	3	203-32470 TR1 TR2 TS2 TS3	63	55	21/7	£3.11
LF403	4	351-29760	72	89	39/19	£3.50
LF443	5	3303573 AA1 AB1 AC AD	76	30	1/4" BSP/BL	£4.40
S499	6	751-18100 LP, Later TS/TR	110	82	M16	£28.00
LF429-1/4	7	18489 c/w LF429 Element	85	60	1/4" BSP	£15.80
LF429-3/8	7	19489 c/w LF429 Element	85	60	3/8" BSP	£15.80
LF457-1/4	7	18493 c/w LF457 Element	140	60	1/4" BSP	£19.88
LF457-3/8	7	19493 c/w LF457 Element	140	60	3/8" BSP	£19.88



PART NO.	FIG.	OEM NO. & APPLICATION	HEIGHT	O/DIAM	I/DIAM	PRICE
LO500	1	258089 PH1 PJ1 LD SR SL	88	70	33	£5.40
LO503	2	250657 PH2, PJ2	141	70	33	£5.20



Genuine Lister Petter filters

We also stock genuine Lister Petter filters - please contact us for details

Plant Filters



Fig.1



Fig.2



Fig.3



Fig.4



Fig.5

PART NO.	FIG.	OEM NO. & APPLICATION		HEIGHT	O/DIAM	I/DIAM	PRICE
LO660	1	393203	AA1 AB1 AC1 AD1	55	51	22	£3.80
LO659	2	393204	AC2 AC2W AD2	70	51	22	£3.96
LO922	3	201-55370	TR TS TX LPA LPW	80	76	3/4" UNF	£5.90
LO987	4	601-32950	LT2	64	76	M16	£8.64
LO962	5	328-11500	LPW4	136	92	M22	£10.44

LOMBARDINI FILTERS

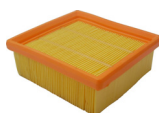


Fig.1



Fig.2



Fig.3



Fig.4



Fig.5



Fig.6

PART NO.	FIG.	OEM NO. & APPLICATION		HEIGHT	O/DIAM	I/DIAM	PRICE
LA1681	1	2175.180	15LD225	50	144	133	£12.30
LA1394	2	2175.135, 550.2175.096	6LD401, 6LD435	37	161	157	£7.80
LA1443	3	196.2175.120, 196.2175.176	15LD315, 15LD350	72	110	63/5	£10.20
LA1806	3	2175.239		72	126	65/5	£19.35
LA1703	4	2175.215, 2175.239	15LD400, 15LD440	76	117	63/6	£8.50
LA1703/1	5	2175.268	15LD400, 15LD440	76	117	63/6	£11.00
LA1773	6	2175.306	15LD400, 15LD440	75	126/117	63/6	£13.80
LA1805	6	2175.322, 2175.322S		91	128	65/5	£21.40



Fig.1



Fig.2



Fig.3



Fig.4



Fig.5

PART NO.	FIG.	OEM NO. & APPLICATION		HEIGHT	O/DIAM	I/DIAM	PRICE
LF441	1	2175.032, 2175.112		52	41	14	£5.20
LF442	2	217.5009, 2175.108		52	50	14	£5.30
LF87	3	1963.730.088, 1963.730.096		86	48	8/8 Pipe	£5.90
S499	4	560127553, 560217553		110	82	M16	£28.00
LF864	5	2175.045, 2175.138		76	76	M16	£6.87
LF844	5	2175.046		122	76	M16	£5.88

Filters listed are quality, non-genuine replacements except where stated. OEM numbers are given for reference only.

Part Number Prefixes

LA - Air Filter Elements LF - Fuel Filter Elements LO - Oil Filter Elements LH - Hydraulic Filter Elements SEP - Oil Air Separator Elements
BL = Blank BP = Bypass Valve missing

Plant Filters



Fig.1



Fig.2



Fig.3



Fig.4



Fig.5



Fig.6

PART NO.	FIG.	OEM NO. & APPLICATION	HEIGHT	O/DIAM	I/DIAM	PRICE	
LO538	1	2175.019, 2175.109	6LD Range	60	23	10/B.P	£8.26
LO539	2	2175.044	10LD Range	78	25	10/B.P	£9.60
LO566	3	2175.25	7LD Range	69	38	12/B.P	£8.70
LO577	4	2175.129, 2175.155	15LD Range	89	27/19	5/B.P	£8.80
LO955	5	500217536, 9042175040		98	92	3/4" BSP	£6.50
LO999	6	01042175104		100	80	M20	£5.50

mitsubishi Filters



Fig.1



Fig.2



Fig.3

PART NO.	FIG.	OEM NO. & APPLICATION	HEIGHT	O/DIAM	I/DIAM	PRICE
LA1505	1	91E6100112 (Inner Filter LA1506)	313	129	81/BL	£15.50
LA351	2	19700034000, MM200571	184	108/83	47	£9.80
LA235	3	19800062120, MM200573 (Inner Filter LA1223)	263	130/104	63/17	£16.20
LA245	3	3083019200, MM130841 (Inner Filter LA1596)	292	162/132	67/17	£15.60
LA237	3	3083011200, 3473004800 (Inner Filter LA1222)	314	198/155	88/17	£23.56



Fig.1



Fig.2



Fig.3



Fig.4



Fig.5



Fig.6



Fig.7



Fig.8

PART NO.	FIG.	OEM NO. & APPLICATION	HEIGHT	O/DIAM	I/DIAM	PRICE
LF101	1	MM335336, MM335368	109	46	8/7 Pipe	£24.00
LF102	2	MM435191	98	46	8/7 Pipe	£7.88
LF83	3	MM304900	95	58	8/8 Pipe	£6.40
LF426	4	ME408992, MM408992	36	41	25	£4.50
LF428	5		44	35	12/BL	£4.70
LF434	5	9126402200	69	35	12/BL	£4.80
LF855	6	ME006066	80	92	M20	£6.40
LF823	7		162	82	M16	£8.00
LF4033	8	MC10863	113	95	16/PLUG	£21.55

Plant Filters



Fig.1 Fig.2 Fig.3 Fig.4 Fig.5

BL = Blank

PART NO.	FIG.	OEM NO. & APPLICATION	HEIGHT	O/DIAM	I/DIAM	PRICE
LO9034	1	31A4002100	67	65	M20	£4.96
LO9033	2	30A4000100, MD133737	89	65	M20	£5.04
LO933	3	32C4000100, MD136790	72	80	M20	£5.20
LO9005	4	4253037, MD001445	82	92	M20	£7.30
LO999	5	MM315200	103	80	M20	£5.50

ROBIN FILTERS



Fig.1 Fig.2 Fig.3 Fig.4 Fig.5 Fig.6 Fig.7 Fig.8
Fig.9 Fig.10 Fig.11 Fig.12 Fig.13 Fig.14 Fig.15

PART NO.	FIG.	OEM NO. & APPLICATION	HEIGHT	O/DIAM	I/DIAM	PRICE
LA1133	1	2273600203 EY15 EY20	30	117	83	£2.75
LA1658	2	2523260107 EH12-2	38	98	66	£8.00
LA137	3	1283260207 EC08, EC10	43	76	43	£6.36
LA1623	4	1063250207 EH09	45	92	62	£8.14
LA160	4	1063270407 EH10D	47	75	46	£4.55
LA1539	5	1573260007, 1573620101 EC08D	60	90	57	£7.44
LA276	6	2433260008 DY27D	52	100	70/7	£7.20
LA1206	7	2263261007, 2263261500 EH09-2 EY15 EY17	56	96/52	54/BL	£6.82
LA173	7	2053600404, 2273261007 EY20	60	108/63	57/BL	£6.50
LA1337	8	2063260107 EY15 EY18 EY23	63	106/80	60/BL	£7.64
LA130	9	2073260618, 2342360707 EY27 EY40	82	106/63	71/BL	£8.94
LA1217	10	1063270208 EC10	76	76/45	56/BL	£8.14
LA190	10	2343260407 EY28	83	118/65	70/BL	£10.60
LA1339	11	2073260008 EY25W, EY27-2	62	120/90	77/BL	£11.14
LA1641	12	2673500301, 2673260018 EH36, EH41	68	146/90	90/45/6	£8.70
LA1390	13	2463260107 EH25, EH34	51	184/78	146/41/7	£11.20
LA1552	14	2203281204 EX14, EX17	45	123/60	85/22/6	£4.45
LF90	15	2283280107 DY23D, DY27D	45	183	116	£16.00

Plant Filters



Fig.1



Fig.2



Fig.3



Fig.4

PART NO.	FIG.	OEM NO. & APPLICATION	HEIGHT	O/DIAM	I/DIAM	PRICE
LF428	1	2286211008	44	35	12/BL	£4.70
LF90	2	2436210110, 2436210120	100	55/45	6/6/5 Pipe	£7.90
LO520	3	5753238 (2 Bolt Holes)	66	30	12/BL	£18.68
LO587	3	2516430201 (3 Bolt Holes)	70	30	12/BL	£14.46
LO9032	4	2486580100, 26156902A0	76	65	3/4" UNF	£4.64

TAKEUCHI FILTERS



Fig.1



Fig.2



Fig.3



Fig.4



Fig.5



Fig.6



Fig.7



Fig.8

PART NO.	FIG.	OEM NO. & APPLICATION	HEIGHT	O/DIAM	I/DIAM	PRICE
LA1485	1	TB108, TB014, TB016 (Inner Filter LA1671)	189	90	45/BL	£9.50
LA1531	2	TB125, TB135 (Inner Filter LA1543)	275	105	60/BL	£15.80
LA1505	3	(Inner Filter LA1506)	313	129	81/BL	£15.50
LA1363	4	(Inner Filter LA1364)	329	137	81/BL	£13.50
LA1332	4	(Inner Filter LA1405)	356	165	92/BL	£18.20
LA1432	5	(Inner Filter LA1433)	359	152	84/BL	£19.20
LA351	6		184	108/83	46/10	£9.80
LA235	6	TB007, TB015 (Inner Filter LA1223)	263	130/104	63/17	£16.20
LA245	6	(Inner Filter LA1596)	292	162/132	67/17	£15.60
LA1233	7		184	127/83	47/11	£14.80
LA1356	8		165	91	45/9	£28.36
LA1361	4	2525532 (Inner Filter LA1462)	300	105	58/BL	£15.95
LA1440	5	(Inner Filter LA1441)	380	158	97/BL	£20.40
LA1560	4	11110022	522	280	149/BL	£59.60
LA1574	5	119465105414	320	125	78/BL	£14.60
A1321	2	E605A0021 (Inner Filter LA1787)	400	188	106/BL	£23.40
LA1797	1	E6050126 (Inner Filter LA1810)	187	88	52/BL	£7.10



Fig.1



Fig.2



Fig.3



Fig.4

PART NO.	FIG.	OEM NO. & APPLICATION	HEIGHT	O/DIAM	I/DIAM	PRICE
LF426	1		36	41	25	£4.50
LF467	2	TB007, TB015, TB014, TB016, TB125, TB135	48	35	12/BL	£5.40
LF4022	3	TB135	79	50	20/BL	£3.80
LF412	3		90	50	20/BL	£3.80
LF430	4	TB007, TB015, TB014, TB016, TB125	88	35	12/BL	£4.80

Plant Filters



Fig.1



Fig.2



Fig.3



Fig.4



Fig.5



Fig.6



Fig.7



Fig.8

PART NO.	FIG.	OEM NO. & APPLICATION	HEIGHT	O/DIAM	I/DIAM	PRICE
LF83	1		95	58	8/8 Pipe	£6.40
LF814	2		89	76	3/4" UNF	£6.40
LF855	3	TB125, TB180FR, TB135	80	92	M20	£6.40
LF828	4		72	80	M20	£5.20
LF823	5		162	82	M16	£8.00
LF4040	6	TB180FR, TB228	155	92	M20	£20.96
LF4042	7	TB180FR, TB228	117	53	20/20	£7.10
LF434	2	E7414200	70	35	12/BL	£4.80
LF814/2	8	E8941673990	100	76	3/4" UNF	£9.22



Fig.1



Fig.2



Fig.3



Fig.4



Fig.5



Fig.6



Fig.7

PART NO.	FIG.	OEM NO. & APPLICATION	HEIGHT	O/DIAM	I/DIAM	PRICE
LO9005	1		78	90	M20	£7.30
LO9033	2		85	65	M20	£5.04
LO9034	3	TB007, TB015, TB014, TB016	65	65	M20	£4.96
LO9041	2		93	65	3/4" UNF	£5.00
LO9092	4		102	80	M20	£4.95
LO933	5	TB228, TB135	80	80	M20	£5.20
LO933/1	5		70	80	M20	£4.96
LO955	6	17246027	85	93	3/4" UNF	£6.50
LO999	7	11715850, 15671610	100	80	M20	£5.50



Fig.1



Fig.2



Fig.3



Fig.4



Fig.5



Fig.6

PART NO.	FIG.	OEM NO. & APPLICATION	HEIGHT	O/DIAM	I/DIAM	PRICE
LH7501	1	E6050013	137	94	3/4" UNF	£14.84
LH7514	1		146	95	1" UNF	£12.32
LH7134	2		87	42	21/BL	£21.00
LH7671	3	E6050033, E6050109	184	101	M60	£59.28
LH7164	4		165	90	1" NPT/B.P.	£27.80
LH7362	5	15511-02600	295	110	70	£29.32
LH7365	6	15511-03700, 1551-03700T	240	105	1" NPT/B.P.	£99.20



Husqvarna Air Filter Oil

For oiling of foam air filters and pre-filters. Washes off with soap and water. Provides efficient collection and binding of particles in the filter, for a cleaner engine and less wear. 1 Litre.

531 00 92 48

£23.82

Plant Filters

THWAITES FILTERS



Fig.1



Fig.2



Fig.3



Fig.4



Fig.5



Fig.6



Fig.7



Fig.8



Fig.9



Fig.10

PART NO.	FIG.	OEM NO. & APPLICATION	HEIGHT	O/DIAM	I/DIAM	PRICE
LA366	1	363722 AD1	106	94	52	£5.38
LA265	1	601-31350 LT1, LT2, ST1, ST2	106	93	49	£6.90
LA200	2	289185 PH1, PH2	124	140	80	£9.28
LA1485	3	T53215 (Inner Filter LA1671)	189	90	45/BL	£9.50
LA1531	3	T53118 (Inner Filter LA1543)	275	105	60/BL	£15.80
LA1361	3	T2146 (Inner Filter LA1362)	301	105	60/BL	£15.95
LA1505	4	T52647 (Inner Filter LA1506)	313	129	81/BL	£15.50
LA1363	4	T15832 (Inner Filter LA1364)	329	137	81/BL	£13.50
LA1332	5	T15834, T52556, T2145 (Inner Filter LA1405)	365	165	92/BL	£18.20
LA1265	6	T1458, T145816, T14586 (Inner Filter LA1266)	214	144/130	63	£27.62
LA235	7	T4524, T7857 (Inner Filter LA1223)	263	130/104	63/17	£16.20
LA245	7	T7494 (Inner Filter LA1596)	292	162/132	67/17	£15.60
LA237	7	T8655 (Inner Filter LA1222)	314	198/155	88/17	£23.56
LA1734	8	T53814 (Inner Filter LA1375)	266	115/85	54/BL	£17.80
LA1390	9	T53815 (Inner for LA1374)	260	67	-	£11.20
LA1770	10	T54268 (Inner for LA1771)	175	248/145	-	NLA
LA1808	10	T53816 (Inner Filter LA1809)	312	312/140	-	NLA



Fig.1



Fig.2



Fig.3



Fig.4



Fig.5



Fig.6



Fig.7



Fig.8



Fig.9



Fig.10

PART NO.	FIG.	OEM NO. & APPLICATION	HEIGHT	O/DIAM	I/DIAM	PRICE
LF412	1	T111383 1, 2, 3 Tonne	89	52	20/BL	£3.80
LF430	2	T52315	89	35	12/BL	£4.80
LF467	3	T52691	48	35	12/BL	£5.40
LF429	4	T252427 PH1, PH2	37	57	21/7	£2.56
LF403	5	T10158 4000, 6000, 7000	72	89	39/19	£3.50
LF814	6		89	76	3/4" UNF	£6.40
LF855	7	T53277 2 Tonne, 3 Tonne	80	92	M20	£6.40
LF823	8	T52241 6 Tonne, 9 Tonne	152	82	M16	£8.00
LF4034	9	T53279 Mach	160	76	35/BL	£16.30
LF4064	10	T53965 Mach	70	85	20/38	£10.77

Filters listed are quality, non-genuine replacements except where stated. OEM numbers are given for reference only.

Part Number Prefixes

LA - Air Filter Elements LF - Fuel Filter Elements LO - Oil Filter Elements LH - Hydraulic Filter Elements SEP - Oil Air Separator Elements
BL = Blank BP = Bypass Valve missing

Plant Filters



Fig.1



Fig.2



Fig.3



Fig.4



Fig.5



Fig.6



Fig.7



Fig.8

PART NO.	FIG.	OEM NO. & APPLICATION		HEIGHT	O/DIAM	I/DIAM	PRICE
LO9034	1	T53214	1 Tonne	65	65	M20	£4.96
LO922	2	T14673	4000, 6000, 7000	89	76	3/4" UNF	£5.90
LO929	3	T2486	6 Tonne	137	92	3/4" UNF	£7.10
LO9005	4	T52686	2 Tonne, 3 Tonne	82	92	M20	£7.30
LO933	4	T53281	1.5 Tonne, 3.5 Tonne	72	80	M20	£5.20
LO955	5	T14338		89	92	3/4" UNF	£6.50
LO930	6	T15098	5, 6, 9 Ton	181	92	3/4" UNF	£8.90
LO931	7	T2486	4, 5, 6, 7, 9 Ton, 7000	137	92	3/4" UNF	£6.30
LO500	8	T258089	PH1	88	73	33	£5.40
LO503	8	T250657, T5127	PH2	141	73	33	£5.20



Fig.1



Fig.2

PART NO.	FIG.	OEM NO. & APPLICATION		HEIGHT	O/DIAM	I/DIAM	PRICE
LH7376	1	T52692	1, 1.5, 3.5 Tonne	212	65	28	£88.00
LH10224	2	T52286	2, 3, 6 Tonne	198	45	20/BL	£48.30
LH7364	2	T52286	2, 3, 6 Tonne	196	45	20/BL	£48.30
LH7376	1	T52692, T56292	1, 1.5, 3.5 Tonne	212	65	28	£88.00
LH7708	-	T52450	Mach	98	96	1" 12 UNF	£7.90

WACKER NEUSON FILTERS



Fig.1



Fig.2



Fig.3



Fig.4



Fig.5



Fig.6



Fig.7



Fig.8

PART NO.	FIG.	OEM NO. & APPLICATION		HEIGHT	O/DIAM	I/DIAM	PRICE
LA177	1	014819, 018419	BS45Y, BS52Y, BS65Y	80	78	58	£8.74
0014819	1	014819, 018419	BS45Y, BS52Y, BS65Y	80	78	58	£20.32
LA1597	2	0114792, 0095254	BS500, BS600, BS700	81	93/150	52/109	£9.05
0114792	2	0114792, 0095254	BS500, BS600, BS700	81	93/150	52/109	£15.15
0157193	3	0157193, 0651032	BS50-2, BS60-2	55	168	98	£6.75
LA1554	4	0078842, 0080856	BS45Y/52Y/60Y/65Y	34	275/170	50	£48.00
LA1538	5	0095711	BH22, BH23, BH24	30	122/70	100/47	£9.30
0095711	5	0095711	BH22, BH23, BH24	30	122/70	100/47	£11.19
LA1270	6	0066588	Farymann Engine	130	97	36/BL	£7.60
50426000	7	0108903	Hatz 1B20 1B30	79	114	51/8	£12.25
LA1521	8	0095091	Hatz 1D Series	92	165	90	£10.72
LA1569	7	0108903	Hatz 1D20, 1D30	79	114	51/8	£6.50
LA1704	7	50484100		85	142	51/8	£9.95
LA1714	3	0157193, 0651032	B550-2, B560-2	55	168	98	£4.85
LA1807	-	5200003062	B560-2I, 45	57	170	92	£9.40

Plant Filters



Fig.1



Fig.2



Fig.3

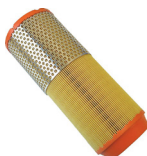


Fig.4



Fig.5

PART NO.	FIG.	OEM NO. & APPLICATION	HEIGHT	O/DIAM	I/DIAM	PRICE
LA351	1	121107, 2111012	184	83	46/10	£9.80
LA1332	2	1105601 (Inner Filter LA1405)	350	160	87/BL	£18.20
LA1361	2	2525532 (Inner Filter LA1362)	300	105	58/BL	£15.95
LA1363	2	2804438 (Inner Filter LA1364)	330	140	81/BL	£13.50
LA1372	3	2605513	262	104/148	64/7	£17.46
LA1505	2	455541, 455425 (Inner Filter LA1506)	313	129	81/BL	£15.50
LA1574	4	119465105414 (Inner Filter LA1575)	320	125	78/BL	£14.60
LA1767	5	1000141558 (Inner Filter LA1768)	180	92	60/BL	£19.80



Fig.1



Fig.2



Fig.3



Fig.4



Fig.5



Fig.6



Fig.7



Fig.8



Fig.9



Fig.10

PART NO.	FIG.	OEM NO. & APPLICATION	HEIGHT	O/DIAM	I/DIAM	PRICE
LF4003	1	0112179 Rammers - Female Thread	72	50/29	9/BL	£12.84
LF4004	1	0080917 Rammers - Male Thread	98	50/29	M16/BL	£19.80
LF4015	2	0128955 Plates - Hatz E Series	52	28	13/BL	£4.00
LF487	3	4105290 Plates - Hatz E Series	135	39	9	£4.60
LF90	4	50539200 Plates - Hatz Engines	100	55	5/6/6 Pipe	£7.90
LF107	10	0022832 Pacebreakers	116	54	8/8 PIPE	£7.60
LF412	5	5005002	90	50	20/BL	£3.80
LF430	6	1000000990	89	35	12/BL	£4.80
LF467	7		48	35	12/BL	£5.40
LF4034	8		160	76	35/BL	£16.30
LF4042	9	852551	117	53	20/20	£7.10



Fig.1



Fig.2



Fig.3



Fig.4



Fig.5



Fig.6



Fig.7

PART NO.	FIG.	OEM NO. & APPLICATION	HEIGHT	O/DIAM	I/DIAM	PRICE
LO576	1	0094930 Plates - Hatz 1D Series	64	42	13/BL	£4.10
LO919	2	0082115	90	76	3/4" UNF	£5.80
LO944	3	0063111 Farymann Engine	60	76	3/4" UNF	£6.60
LO933	4	134042, 2111011	80	80	M20	£5.20
LO955	5	2525653	85	93	3/4" UNF	£6.50
LO999	4	4505549	100	80	M20	£5.50
LO9005	4	5005003, 5005503	80	93	M20	£7.30
LO9034	6	1000003052	65	65	M20	£4.96
LO9092	7	119464505549	102	80	M20	£4.95



Fig.1

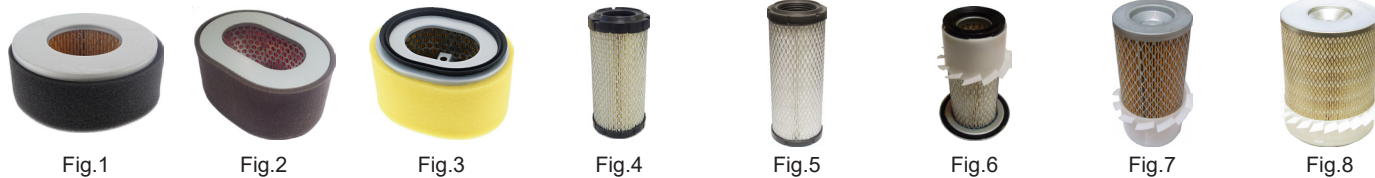


Fig.2

PART NO.	FIG.	OEM NO. & APPLICATION	HEIGHT	O/DIAM	I/DIAM	PRICE
LH7376	1	106193	212	64	28	£88.00
LH7378	2	2521405, 2521407, 2521408	295	60	33/BL	£84.04

Plant Filters

YANMAR FILTERS



PART NO.	FIG.	OEM NO. & APPLICATION	HEIGHT	O/DIAM	I/DIAM	PRICE
LA271	1	114250-12580 L40 L48 L60 L70 (AE)	45	105/100	52/BL	£3.90
LA1376	2	114650-12540 L90 L100 (AE)	73	142/98	95/51/7	£8.50
LA1713	3	114210-12590 L48N L70N L100N	77	128/110	64/55/7	£8.40
LA1485	4	119655-12560 (Inner Filter LA1671 - £13.15)	189	90	45/BL	£9.50
LA1531	5	129087-12510 (Inner Filter LA1543 - £17.75)	275	105	60/BL	£15.80
LA1505	5	129687-12510 (Inner Filter LA1506 - £17.90)	313	129	81/BL	£15.50
LA1233	6	119640-12530	184	127/83	47/11	£14.80
LA351	7	121465-12510	184	108/83	46/11	£9.80
LA235	7	121120-12900 (Inner Filter LA1223 - £16.10)	263	130/104	63/17	£16.20
LA245	7	121850-12510 (Inner Filter LA1596 - £12.75)	292	162/132	67/17	£15.60
LA237	7	124610-12620 (Inner Filter LA1222 - £15.80)	314	198/155	88/17	£23.56
LA241	8	126650-12620	260	256/202	90	£34.76



PART NO.	FIG.	OEM NO. & APPLICATION	HEIGHT	O/DIAM	I/DIAM	PRICE
LF462	1	114239-55120 L40 L48 L60 L70	130	40	9/BL	£4.90
LF475	2	114350-55120 L60 L70	156	40	9/BL	£4.35
LF463	3	114650-55120 L90 L100	198	40	9/BL	£5.50
LF428	4	104200-55170	43	35	12/BL	£4.70
LF434	5	104500-55710	70	35	12/BL	£4.80
LF430	6	119810-55650	89	35	12/BL	£4.80
LF412	7	129100-55650	89	52	20/BL	£3.80
LF467	8	171081-55910	48	35	12/BL	£5.40
LF4018	9	121850-55710	69	35	12/BL	£6.90
LF855	10	119000-55600	80	92	M20	£6.40
LF828	11	129470-55701	72	80	M20	£5.20
LF4042	12	119802-55710	117	53	20/20	£7.10



PART NO.	FIG.	OEM NO. & APPLICATION	HEIGHT	O/DIAM	I/DIAM	PRICE
P390	1	114250-35070 L40 L48 L60 L70 L90 L100	87	32/15	BL	£5.10
LO9108	2	114350-55120	85	65	3/4" UNF	£5.60
LO9034	3	119305-35150	65	65	M20	£4.96
LO9092	4	119100-35100	102	80	M20	£4.95
LO933	5	119660-35150	80	80	M20	£5.20
LO933/1	5	124450-35100	70	80	M20	£4.96
LO9005	6	129350-35150	89	92	M20	£7.30
LO999	7	119005-35100	103	80	M20	£5.50
LO903	8	194464-48310	137	92	3/4" UNF	£7.10
P390	1	114250-35070 L40 L48 L60 L70 L90 L100	87	32/15	BL	£5.10
LH7362	9	1511-00200 (Hydraulic Filter)	295	110	70	£29.32

Plant Filters

UNIVERSAL FUEL FILTERS



IMAGE SHOWS 700 017

PART NO.	LENGTH (A)	DIAM (B)	PIPE DIAM (C)		PRICE
700 016	45	30	6/8	6/8	£1.56
700 017	50	45	6/8	6/8	£1.45
700 022	130	40	8/10	8/10	£2.95



IMAGE SHOWS LF98

PART NO.	LENGTH (A)	DIAM (B)	PIPE DIAM (C)		PRICE
LF98	32	28	7	7	£1.45
700 014	45	30	6/8	6/8	£1.15
700 015	50	45	6/8	6/8	£1.84



IMAGE SHOWS LF89

PART NO.	LENGTH (A)	DIAM (B)	PIPE DIAM (C)		PRICE
LF89	60	43	6	6	£3.64
LF88	60	43	8	8	£3.95
LF91	60	43	10	10	£5.00
LF97	60	43	1/2"	1/2"	£8.32



IMAGE SHOWS LF94

PART NO.	LENGTH (A)	DIAM (B)	PIPE DIAM (C)		PRICE
LF100	32	15	6	6	£2.85
700 018	30	15	4	4	£1.78
LF94	32	15	6	6	NLA



IMAGE SHOWS LF4007

PART NO.	LENGTH (A)	DIAM (B)	PIPE (C)		PRICE
LF4024	20	13	3		£1.78
LF4025	20	13	5		£1.44
LF4007	30	18	4		£2.00
LF480	25	20	5		£2.40
LF4037	28	15	4		£2.12



IMAGE SHOWS LF480



IMAGE SHOWS LF92

PART NO.	MICRON	COLOUR	PIPE DIAM (C)		PRICE
LF92	150	Red	4/6	4/6	£1.15
LF92/75 MIC	75	White	4/6	4/6	£1.35

Mitsubishi/Kubota Type Fuel Filter 7mm

LF72 £3.10

Toyota Type Fuel Filter 7mm

705 095 £3.90

10 Assorted Fuel Filters

110 140 £21.32

Plant Filters

UNIVERSAL FUEL TAPS & CONNECTORS

				
Straight - 1/4" Tails	90 Degree - 1/4" Tails (Honda GCV160)	90 Degree - 1/4" Tail	90 Degree - 1/4" Tail 1/8" Thread	Fuel Tank Grommet 27mm O/D
780 150 £2.50	780 152 £4.25	780 151 £4.53	780 154 £4.02	780 156 £3.11
				
Sediment Filter 1/4" BSP In/Out	Metal / Plastic Fuel Tap 1/2" BSPT Male, 1/2" UNF	Metal Fuel Tap M10x1.25 x 6mm Tail	Inline Fuel Tap 6mm Tail	Fuel Tap - 6mm Tail M14x1.5 L/H Thread
780 159 £8.53	780 169 £13.90	780 160 £7.95	780 140 £9.30	780 162 £19.16
				
Fuel Tap - 6mm Tail M16x1 L/H Thread	Non Return Valve 6mm Tails	Non Return Valve 8mm Tails	90 Deg Connector 6mm x 1/8" Thread	Straight Connector 6mm x 1/8" Thread
780 161 £30.95	780 100 £5.50	780 108 £5.50	780 155 £3.98	780 157 £3.27

RUBBER FUEL PIPE



Black Rubber Fuel
Hose

VINYLON FUEL PIPE



High Performance
Fuel Hose for
Garden Machinery
& Small Engines

PIPE CLIPS



Fuel Pipe Spring
Clips

Part No.	I/D	O/D	Length	Price	Part No.	I/D	O/D	Length	Price	Part No.	O/D	Price
124 0003	3.1mm	6.3mm	1m	£5.99	124 0013	3.1mm	4.7mm	1m	£2.25	355 182	5mm	£0.27
124 0004	3.1mm	6.3mm	5m	£29.96	124 0014	3.1mm	4.7mm	15m	£24.90	355 1710	6mm	£0.30
124 0005	4.7mm	9.5mm	1m	£4.40	124 0015	4.7mm	8mm	1m	£2.25	320 219	8mm	£0.45
124 0006	4.7mm	9.5mm	5m	£45.19	124 0016	4.7mm	8mm	15m	£39.12	355 183	10mm	£0.27
124 0007	6.3mm	12.7mm	1m	£5.34	124 0017	6.3mm	9.5mm	1m	£2.65	320 218	12mm	£0.50
124 0008	6.3mm	12.7mm	4m	£18.68	124 0018	6.3mm	9.5mm	15m	£39.00	355 1289	13mm	£0.27
										355 2100	Assorted (120pc)	£35.00

Replacement Ignition & Door Keys

			
044 £2.12	1001 £1.60	1051 £2.40	1087 £2.11
			
123243 £1.60	14601 £1.60	14602 £1.60	14603 £1.50
			
14607 £1.56	14608 £1.60	14609 £1.60	14610 £1.60
			
14644 £1.50	14657 £1.60	14685 £1.60	14707 £1.60
Master Key  PC14MST  14MST 14603 14607 14657 14707			
14MST (Plain) £1.50	14708 £1.60	201 £1.60	3095 £1.60
PC14MST (with Cover) £1.90			

Replacement Ignition & Door Keys

			
459A £1.60	5080 £1.60	510 £1.65	5252 £1.70
			
530 £1.60	606 £1.60	615 £1.60	64001 £1.60
			
659 £1.60	706 £1.60	728 £1.90	73033 £1.60
			
7715 £1.98	7725 £1.60	777 £1.60	787 £1.60
			
8001 £1.60	8309 £2.33	8352 £1.75	901 £1.35

Replacement Ignition & Door Keys

			
92226 £1.60	92246 £1.35	92274 £0.80	92285 £1.75
			
92301 £1.35	92333 £1.60	92396 £1.60	99 £0.38
			
AA £1.65	AUSA £1.60	AUSA 2 £1.60	BB £1.60
			
BOB £1.35	C105 £2.33	D250 £1.50	CAT 2P £1.75
			
CC £3.30	CH501 £1.35	CH502 £1.35	CH503 £1.35

Replacement Ignition & Door Keys

			
CH506 £1.35	CH510 £1.52	CH512 £1.52	CH523 £1.35
			
CH545 £1.35	CH556 £1.52	CH650 £1.52	CH751 £1.35
			
D100 £1.60	D2 £1.89	D200 £1.60	D3 £1.60
			
D300 £1.60	D400 £1.60	D500 £1.70	F900 £1.60
			
DD £1.89	E1 £1.60	E11 £1.40	E20 £2.33



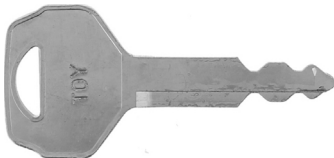









Replacement Ignition & Door Keys

			
E30 £1.40	E36 £1.40	F420 £1.60	F989 £1.70
			
FF £1.60	FORD KEY £1.65	FS880 £1.22	FS903 £1.75
			
FS929 £1.35	FT105 £1.60	H800 £1.60	H806 £1.60
			
H808 £1.60	HD62 £1.60	HONDA KEY £1.95	IR £1.60
			
JC1 £1.55	JD (Single Sided) £1.35	JD2 (Double Sided) £1.60	JLG £1.60

Replacement Ignition & Door Keys

			
K11 £1.60	K250 £1.60	K80 £1.60	KD600 £1.60
			
KUB £1.60	MC13 £1.75	MC35 £1.77	MC43 £1.35
			
MC5 £1.75	MC74 £1.35	NG100 £1.60	NG200 £2.33
			
P0111 £1.35	PJ £2.25	PK510 £1.35	PK556 £1.35
			
RON 455 £0.95	S450 £1.60	SAM £1.60	SKID STEER £1.60

Replacement Ignition & Door Keys

			
SM4688 £1.50	SP8500 £1.60	TOY £1.60	WA01 £2.33
			
WA02 £2.33	WA05 £1.60	WA06 £1.60	XL24 £1.35
			
XL25 £1.60	ABUS Lock Lubricant & Electrical Spray 50ml Aerosol 858 292 £9.98	Clear key fobs c/w 35mm x 24mm paper insert 200 449 £0.36	Pack of 50 key fobs Assorted colours SKTAG50 £4.97

BRASS DISCS



Strong solid brass disc for engraving or stamping

Part No.	Size	Price
203 100	1"	£0.53
200 448	1.1/4"	£0.68
200 450	1.1/2"	£0.95

KEY RINGS



Key Rings, Split Rim Type

Part No.	Size	Price
200 453	3/4"	£0.21
200 451	1"	£0.21
200 452	1.1/4"	£0.32
200 454	1.1/2"	£0.32
200 455	2"	£0.60
200 456	3"	£1.26

DOUBLE BIT KEY



Toolbox Key
Double bit type

Part No.	Price
9789/007	£1.95

SQUARE KEY



Toolbox Key
Square type

Part No.	Size	Price
9800/1228S	7mm	£2.75
9800/1229S	8mm	£2.10





TRIANGLE KEY



Toolbox Key
Triangle type

Part No.	Size	Price
9800/1230S	7mm	£1.85
9800/1231S	8mm	£1.85

Isolator Keys

		 <p>060 599</p> <p>11mm</p> <p>4-5mm</p> <p>4mm</p> <p>200 182</p>				 <p>13-14mm</p> <p>6-9mm</p> <p>4mm</p>		
Battery Isolator Switch & Key		Red Plastic Battery Isolator Key		Isolator Switch & Key (New Type JCB)		Heavy Duty 14mm Isolator Key (New Type JCB)		
200 026	£5.50	200 182	Plastic Tip	£1.60	200 336	£47.75	290 090	£4.50
		060 599	Metal Tip	£1.95				
		 <p>11mm</p> <p>6mm</p> <p>4mm</p>				 <p>14mm</p> <p>6mm</p> <p>4mm</p>		
Isolator Switch & Key Terex - Volvo		Isolator Key Terex - Volvo		Isolator Switch & Key JCB		Isolator Key JCB		
200 332	£43.30	200 333		£10.85	200 334	£35.05	200 335	£8.85
		 <p>15mm</p> <p>13mm</p> <p>4mm</p>		 <p>14mm</p> <p>8mm</p> <p>5mm</p>		 <p>11mm</p> <p>4mm</p> <p>4mm</p>		
HD Battery Isolator Switch (250amp at 24v)		Heavy Duty 15mm Double Peg Metal Isolator Key 4mm Peg		14mm Isolator Key Single Peg 4mm Peg c/w Chain		Genuine JCB/Terex Isolator Key		
200 027	£19.95	200 180		£5.60	290 095	£3.85	335/D5644	£12.50
								
PJ Key fits Kubota Bomag Isuzu Kobelco Mitsubishi Peljob		T-Key Square Drive		T-Key Screwdriver		Push Button Switch 22mm Fixing Hole (12amp at 12v)		
PJ	£2.25	782 055		£1.95	782 065	£2.60	200 157	£4.90

Ignition Switches

				
5-Position Ignition Switch (2 x 14603 Keys)	4-Position Ignition Switch (2 x 14644 Keys)	Bosch 0342309005 5-Pos Ignition Switch (2 x E30 Keys)	Bosch 0342311003 3-Pos Ignition Switch (2 x K11 Keys)	Lucas 4-Position Ignition Switch (1 x 99 Key)
200 155 £54.00	200 156 £33.00	200 446 £65.20	200 447 £49.90	35670 £25.80
				
Lucas 5 Position Ignition Switch (2 x 99 Keys)	Lucas 92274 Switch Body Only (Suits 54316732 Barrel)	Lucas 54316732 Barrel Only (2 x 92274 Keys)	Benford / Terex Ignition Switch (2 x 8001 Keys)	Benford / Terex Ignition Switch (2 x 6896 Keys)
35327 £38.95	34680 £23.40	54316732 £6.60	8000 3565 £132.60	8000 4490 £55.00
				
Thwaites / Perkins Ignition Switch (2 x CC Keys)	N/G Ignition Switch (2 x 14603 Keys)	Takeuchi Ignition Switch with 2 'FF' Keys	Ignition Switch with 2 Keys fits Komatsu Diggers	Ignition Switch, Kubota Type (incl. 2 x DD Keys) fits VT1 Tower Lights
T14326 £47.07	080 665 £17.00	200 475 £131.00	129 059 £52.50	907 0017 £70.26
				
Ignition Key for Generac VT2 Tower Light	Ignition Switch Assy for Honda GX240 GX270 GX340 GX390	Non Genuine Ignition Switch Box Fits Honda GX270 GX390	Switch Unit / Instrument Box For Hatz 1B20 1B30 1B40 1B50	Electrical Cleaner 400ml
907 0066 £1.89	35100 ZE2 862 £124.80	080 237 £27.00	01545300 £166.20	FX081350 £3.70

Spark Plugs

NGK SPARK PLUGS



Part No	Thread	Application	Price
AB6	18mm	Tractors	£4.88
B2LM	14mm	Briggs & Stratton	£1.78
B4	14mm		£2.64
B4ES	14mm		£2.97
B4LM	14mm		£1.85
B5ES	14mm		£2.09
B5HS	14mm		£2.53
B6ES	14mm	Villiers F15	£2.27
B6HS	14mm	Robin EY20	£2.24
B6L	14mm		£4.28
B6S	14mm		£2.49
B7ES	14mm		£2.09
B8ES	14mm		£2.27
BCPR5ES	14mm		£2.40
BCPR6ES	14mm		£2.60
BKR5E	14mm		£3.02
BKR6E	14mm		£2.75
BM4A	14mm		£2.53
BM6A	14mm	Briggs & Stratton	£2.04
BM6F	14mm	McCulloch	£2.22
BM7A	14mm		£2.27
BMR4A	14mm	Honda G100	£2.75
BMR6A	14mm		£2.92
BMR6F	14mm		£3.03
BMR7A	14mm	Makita	£2.95
BP4HS	14mm		£2.70
BP5ES	14mm		£2.36
BP5HS	14mm		£2.45
BP6ES	14mm		£1.98
BP6HS	14mm		£1.93
BP7ES	14mm		£2.38
BPM6A	14mm	Dolmar SD309	£2.29
BPM7A	14mm		£2.29
BPMR4A	14mm		£3.13
BPMR6A	14mm	Husq 268	£2.70
BPMR6F	14mm		£3.12
BPMR7A	14mm	Disc Cutters/Chainsaws	£1.75

Part No	Thread	Application	Price
BPR4ES	14mm		£2.98
BPR4FS	14mm		£2.63
BPR4HS	14mm		£3.03
BPR5ES	14mm		£1.85
BPR5HS	14mm		£3.05
BPR6ES	14mm	Honda GX Engines	£1.60
BPR6HS	14mm		£3.32
BPR7HS	14mm		£3.17
BR2LM	14mm	Briggs & Stratton	£2.20
BR4HS	14mm	Honda G150 G200	£3.25
BR4LM	14mm		£2.60
BR5ES	14mm		£2.98
BR5HS	14mm		£3.03
BR6ES	14mm		£3.12
BR6HS	14mm	Robin EY15 EY20 EY40	£2.95
BR6S	14mm		£3.13
BR7ES	14mm		£2.87
CM6	10mm		£5.90
CMR5H	10mm		£3.65
CMR6H	10mm	Stihl Chainsaws/Blowers	£3.19
CMR7A	10mm		£4.73
CMR7H	10mm		£4.45
CR4HSB	10mm		£3.10
CR5HSB	10mm	Honda GXH50	£2.55
CR8E	10mm		£6.18
CR8HS	10mm		£2.97
DR8ES	12mm		£2.75
BKR5E-11	14mm		£2.73
BKR5EY-11	14mm		£3.30
BKR5EK	14mm		£4.05
BKR5EZ	14mm		£3.50
BKR6E-11	14mm		£2.57
BKR6EK	14mm		£4.40
BKR6EQUP	14mm		£9.17
BKR6EZ	14mm		£2.57
BKUR6ET-10	14mm		£4.98
BUR6ET	14mm		£4.10
LFR6B	14mm		£4.53
LZKAR7A	14mm		£4.25
PFR6N-11	14mm		£9.17
PTR5A-10	14mm		£4.60
PTR6F-13	14mm		£9.52
TR5A-10	14mm		£2.47
TR5B-13	14mm		£3.03
ZFR5F	14mm		£4.30
ZFR5P-G	14mm		£4.62

Spark Plugs

CHAMPION SPARK PLUGS

Champion Spark Plugs Suitable for many Petrol Brushcutters, Chainsaws, Garden Vacuums, Grass Trimmers, Hedge Trimmers and Other Small Engines.



Part No	Thread	Application	Price
RL95YC	14mm	NGK BP4HS, Wacker	£2.95
CJ8	14mm	NGK BM6A	£2.65
J19LM	14mm	NGK B2LM	£2.76
J8C	14mm	NGK B6S	£2.65
N9YC	14mm	NGK BP9ES	£2.65
RC12YC	14mm	NGK BCPR5ES	£3.05
RCJ8	14mm	NGK BMR6A, Cobra TT	£2.53
RCJ6Y	14mm	NGK BPMR7A	£2.85
RDJ7Y	14mm	NGK BMPR6F	£3.25
RDJ8J	14mm	NGK BMR6F	£3.23
RJ17LM	14mm	NGK BR4LM	£3.20
RJ19LM	14mm	NGK BR2LM	£2.50

SPARK PLUG CAPS



355 175



355 184

Part No.	Description	Price
355 175	Spark Plug Terminal Cap (7mm HT)	£3.00
355 184	Universal Spark Plug Cap Crimped	£2.69

SPARK TESTER



Connects Between Spark Plug and Ignition Lead. Provides a Clear Indication of Ignition System Function.

Part No	Price
015 800	£5.54

BOSCH SPARK PLUGS

Premium quality Bosch Spark Plugs Provides Maximum Operating Power and Ensures Fuel Emissions are Kept to a Minimum.



Part No	Thread	Application	Price
USR7AC	14mm	NGK CMR5H, CMR6H	NLA
W7AC	14mm	NGK BR6HS	£3.15
WR7AC	14mm	Use W7AC	NLA
WR8AC	14mm	NGK BR5HS, Wacker	£3.10
WSR6F	14mm	NGK BPMR6A	£2.95

H.T. LEAD



Part No	Description	Price
124 0176	5mm x 1m	£1.88
124 0177	5mm x 10m	£15.86
124 0174	7mm x 1m	£1.25
124 0175	7mm x 10m	£18.68

SPARK PLUG HELICOILS



A simple and cost effective system for repairing damaged threads. Kit comes complete with helicoil tap and 10 helicoils.
For M14x1.25 Spark Plugs

Part No	Description	Price
902 1542	14mm Repair Kit	£56.10
28148	M14 x 3/8" Helicoil	£1.60
28149	M14 x 1/2" Helicoil	£1.40
28140	M14 x 3/4" Helicoil	£2.20

SPARK PLUG WRENCHES



Swivel Type Chrome Plated with T-Handle

Part No	Description	Price
013 868	20mm Hex / M14 Thread	£5.53
013 867	16mm Hex / M10 Thread	£5.53

Glow Plugs

NGK GLOW PLUGS



Part No	Price
Y8002AS	£11.32
Y-504J	£11.93
Y-607AS	£10.72
Y8003J	£13.18
Y-548J	£10.25
YE05	£10.57
Y-732J	£7.55
Y-524J	£7.92
YE07	£11.58
Y-741U	£8.48
Y-918J	£6.28
Y-541J	£10.78
Y-745U	£9.43
Y-924J	£7.40
YE01	£15.40
Y-103V	£8.90
Y-716RS	£19.95
Y-503J	£9.18

GLOW PLUG 3PC SOCKET SET

3/8" Sq Drive
Length: 72mm x 3/8"D
Sizes: 8, 10, 12mm.



Part No	Price
902 0058	£28.53

MASTER SERVICE SET

Master Service Set Spark/Glow Plug & Oxygen Sensor 3/8" Sq Drive 11pc



Part No	Price
SEAAK6562	£48.08

GLOW PLUG ANALYSER

Enables fast diagnosis of glow plug failure or degradation without the need to disassemble the plug from the engine.



Part No	Price
SEAVS212	NLA

GLOW PLUG PULLER SET

A comprehensive set suitable for removing stubborn glow plugs



Part No	Price
SEAVS313	£114.40

REAMER/BASE CLEANING SET

Glow Plug Reamer/Base Cleaning Set 8pc, Suitable for M8, M10 and M12 threaded glow plugs



Part No	Price
SEAVS312	NLA

AIR IMPACT WRENCH

Air Impact Wrench 1/4" Sq Drive Diesel Glow Plug Kit



Part No	Price
SEASA141	£184.60

THREAD REPAIR SET 33PC

Glow Plug Thread Repair Set 33pc Includes four sizes of threaded adaptors suitable for common sizes of glow plug.



Part No	Price
SEAVS311	£180.40

ELEMENT REMOVAL SET

Glow Plug Heater Element Removal Set 8 & 10mm



Part No	Price
SEAVS315	£198.00

GLOW PLUG REMOVAL SET

Damaged Glow Plug Removal Set 8 & 10mm



Part No	Price
SEASX0408	£180.00

Vibration Mounts

Male / Male Type

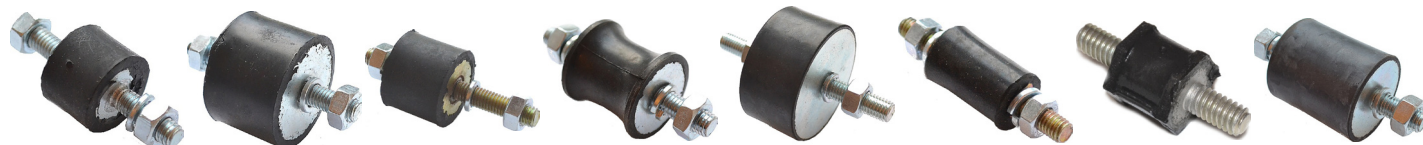


Fig.1

Fig.2

Fig.3

Fig.4

Fig.5

Fig.6

Fig.7

Fig.8

Part No.	Fig.	Diameter	Depth	Stud	OEM No.	Price
VM1	1	21mm	15mm	M6 x 18mm		£1.45
VM2G	1	20mm	25mm	M8 x 15mm		£1.95
VM2H	1	25mm	20mm	M8 x 20mm		£1.95
VM2	2	30mm	25mm	M8 x 20mm		£1.75
VM2B	3	30mm	25mm	M8 x 15mm / M8 x 33mm		£1.75
VM3	4	38mm	37.5mm	M10 x 25mm		£2.55
VM4	2	50mm	35mm	M10 x 25mm		£3.20
VM5	5	71.5mm	32.5mm	M12 x 37mm		£9.00
VM10	2	40mm	30mm	M8 x 25mm		£2.60
VM11	6	12.7mm	20mm	M5 x 12mm		£1.70
VM11H	7	15mm	15mm	M5 x 10mm		£1.70
VM14A	2	76mm	50mm	M12 x 40mm		£8.20
VM15A	2	50mm	30mm	M10 x 25mm		£3.70
VM20	8	50mm	56mm	M12 x 28mm		£6.95
VM60	5	60mm	35mm	M8 x 23mm		£8.30

Male / Female Type



Fig.1

Fig.2

Fig.3

Fig.4

Part No.	Fig.	Diameter	Depth	Stud	OEM No.	Price
VM2A	1	30mm	25mm	M8 x 20mm		£2.30
VM10A	1	40mm	30mm	M8 x 23mm		£2.80
VM14	2	76mm	50mm	M12 x 40mm		£8.00
VM15	3	50mm	30mm	M10 x 25mm		£3.80
VM4A	3	50mm	35mm	M10 x 25mm		£3.70
VM18	3	75mm	40mm	M12 x 37mm		£11.50
VM20A	4	50mm	56mm	M12 x 28mm		£7.90
VM50A	4	50mm	50mm	M10 x 25mm		£4.75

Vibration Mounts

Female / Female Type



Fig.1

Part No.	Fig.	Diameter	Depth	Thread	OEM No.	Price
VM17	1	50mm	45mm	M10 Female		£5.10
VM50C	1	50mm	50mm	M10 Female		£5.00
VM50D	1	50mm	50mm	M12 Female		£5.80

Flanged Mounts



Fig.1

Fig.2

Fig.3

(Fitted in Traffic Light Unit Trailers)

Part No.	Fig.	Height	Thread	Hole Centres	Price
VM6	1	36mm	8mm	75mm	£8.30
VM6D	1	38mm	10mm	75mm	£8.59
VM6A	1	26mm	8mm	75mm	NLA
VM12	2	21mm	10mm	60mm	£6.45
VM19	3	35mm	12mm	100mm	£13.95

Rubber Feet



Fig.1

Fig.2

Fig.3

Fig.4

Fig.5

Fig.6

Part No.	Fig.	Diameter	Height	Stud	OEM	Price
VM7	1	60mm	19mm	M8		£4.50
VM8	2	34mm	19mm	M8		£2.52
VM46	6	46mm	12mm	M10 x 20mm		£3.95
VM16	3	40mm	18mm	M10 x 25mm		£3.40
VM9B	4	25mm	16mm	M8 x 20mm		£3.00
VM9	4	30mm	25mm	M8 x 20mm		£2.40
VM21	5	50mm	30mm	M10 x 30mm	Fits JCB Beaverpack	£3.75

Rubber Mounts

Vibration mounts are available in most sizes to order - please contact us with dimensions if your size isn't listed above.

Control Cables & Levers

STOP CABLE - RED HANDLE



Part No.	Size	Price
LSE1	3 ft. Solid Inner	£9.65
LSE3	6 ft. Solid Inner	£10.42
LSE8	6 ft. Flex Inner	£14.08
LSE10	10 ft. Solid Inner	£12.92

STOP CABLE - T HANDLE



Stop Cable - T Handle
PVC Outer, Bowden
Inner

Part No.	Size	Price
705 191	6.1/2 ft	£10.08
QT8130	13 ft	£13.57

WACKER THROTTLE CABLES



Barrel End
Suitable for Wacker Rammers

Part No.	Size	Price
LSE9	18"	£4.10
LSE12	22"	£9.44
LSE15	31"	£9.27

6FT THROTTLE CABLE



6ft Throttle Cable
Barrel End, Flex Inner

Part No.	Price
LSE14	£10.45

THROTTLE LEVER WITH CABLE



Universal Throttle Cable and
Lever Assemblies to fit many Lawnmowers

Fixing Hole Centres: 50mm
(+/- 10mm)

Part No.	Description	Price
803 215	50"	£6.25
204 214	72"	£5.30

BOWDEN CABLE



50ft Bowden Cable
Inner - o/d. 1.9mm
Outer - o/d. 5.2mm

Part No.	Description	Price
705 149	Inner Only	£14.27
705 151	Outer Only	£27.22

SOLDERLESS NIPPLES



Solderless Nipples

Part No.	Description	Price
CX72	6mm x 10mm Nipple (ea)	£0.90
110 115	48 Assorted Nipples Sizes: 6mm & 8mm	£32.85

CLUTCH LEVER



General Purpose Clutch Lever

Part No.	Price
SP010013020	£26.94

UNIVERSAL THROTTLE LEVER



Universal Throttle Lever
Lever Length 55mm

Part No.	Price
803 214	£6.06

THROTTLE LEVER - LONG



General Purpose Throttle Lever
(Long)

Part No.	Price
TD74	£22.70

THROTTLE LEVER - MEDIUM



General Purpose Throttle Lever
(Medium)

Part No.	Price
803 203	£9.50

Recoil Starter Rope

OREGON STARTER ROPE



100m Rolls of OREGON Starter Rope

Resistant to Oil & Petrol



Part No.	Size	Price
90200	3.0mm	£25.00
90201	3.5mm	£28.00
90202	4.0mm	£35.50
90203	4.5mm	£39.95
90204	5.0mm	£39.50
90205	5.5mm	£59.88
90206	6.0mm	£58.25

ECONOMY STARTER ROPE



100m Rolls of Economy Starter Rope

Part No.	Size	Price
803 249	2.8mm	£8.25
803 250	3.5mm	£11.60
803 251	4.0mm	£13.50
803 252	4.5mm	£16.40
803 253	5.0mm	£17.40

ASSORTED STARTER ROPE



Assorted pack of starter rope
Contains the following sizes:
2.8mm x 5m
3.5mm x 5m
4.0mm x 5m
4.5mm x 5m
5.0mm x 5m

Part No.	Price
710 500	£7.70

RECOIL GRIP - DISC CUTTERS



This plastic handle is suitable for many machines including: Disc Cutters, Brushcutters, Mowers & Chainsaws

Part No.	Price
3400	£1.10

RECOIL GRIP - HONDA



Pull Cord Grip (Non Genuine)
For Honda Engines, Replaces OEM No. 28461-ZH8-003

Part No.	Price
710 207	£0.95

LISTER LT1 STARTING HANDLE



Lister LT1 Starting Handles
Not Anti-Kickback Type

Part No.	Size	Price
SH7/1	7/8" Right Hand	£30.00
SH7/2	7/8" Left Hand	£30.00
SH7/3	3/4" Right Hand	£30.00
SH7/4	3/4" Left Hand	£17.80

MBR71 STARTING HANDLES



Part No.	Engine	Size	Price
SH11	Lister LV	Diam. 35mm x Length. 6"	£34.00
SH37	Hatz	16mm x 40mm Single Peg Overall Length. 200Mm	£66.00

WACKER STARTING HANDLE

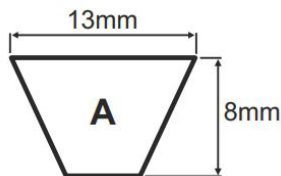


Starting Handle for Wacker DPU2430/2440 plates fitted with a Farymann engine

Part No.	Size	Price
SH14	Diam. 25mm x Length. 50mm	£26.00

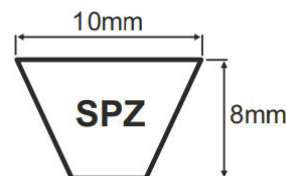
Drive Belts

A-SECTION V BELTS



Part No	Length	Price
A20	20"	£3.10
A21	21"	£3.50
A22	22"	£3.70
A23	23"	£3.90
A24	24"	£3.75
A25	25"	£4.00
A26	26"	£3.75
A27	27"	£3.90
A28	28"	£3.90
A29	29"	£4.10
A30	30"	£4.25
A31	31"	£4.25
A32	32"	£4.25
A33	33"	£4.40
A34	34"	£4.70
A35	35"	£4.50
A36	36"	£4.75
A37	37"	£4.75
A38	38"	£4.75
A39	39"	£5.10
A40	40"	£5.25
A41	41"	£5.70
A42	42"	£5.80
A43	43"	£5.60
A44	44"	£5.80
A45	45"	£5.90
A46	46"	£6.20
A48	48"	£5.95
A49	49"	£6.50
A50	50"	£6.50
A51	51"	£6.60
A52	52"	£6.90
A53	53"	£7.00
A54	54"	£6.95
A55	55"	£7.30
A56	56"	£7.70
A57	57"	£7.80
A58	58"	£8.00
A59	59"	£8.00
A60	60"	£8.20
A61	61"	£10.04
A62	62"	£8.40
A63	63"	£8.60
A64	64"	£8.80
A65	65"	£8.60
A66	66"	£8.80

SPZ-SECTION V BELTS



Part No	Length	Price
SPZX562	562mm	£9.65
SPZX612	612mm	£6.20
SPZX630	630mm	£6.20
SPZX637	637mm	£6.20
SPZX662	662mm	£6.50
SPZX670	670mm	£6.50
SPZX687	687mm	£6.50
SPZX710	710mm	£6.60
SPZX722	722mm	£7.80
SPZX737	737mm	£5.50
SPZX750	750mm	£6.70
SPZX762	762mm	£8.67
SPZX772	772mm	£7.10
SPZX787	787mm	£6.90
SPZX800	800mm	£7.25
SPZX812	812mm	£4.43
SPZX825	825mm	£4.36
SPZX837	837mm	£7.60
SPZX850	850mm	£7.60
SPZX862	862mm	£7.60
SPZX875	875mm	£8.30
SPZX887	887mm	£8.30
SPZX900	900mm	£8.30
SPZX912	912mm	£8.00
SPZX925	925mm	£8.55
SPZX937	937mm	£9.80
SPZX950	950mm	£8.30
SPZX962	962mm	£8.30
SPZX987	987mm	£8.80
SPZX1000	1000mm	£8.60
SPZX1012	1012mm	£10.75
SPZX1024	1024mm	£10.00
SPZX1037	1037mm	£10.30
SPZX1047	1047mm	£9.80
SPZX1060	1060mm	£9.90
SPZX1080	1080mm	£13.47
SPZX1087	1087mm	£10.75
SPZX1112	1112mm	£10.70
SPZX1120	1120mm	£10.70
SPZX1137	1137mm	£10.70

BELT DRESSING SPRAY



Adhesive belt lubricant suitable for use on all types of belts. Reduces belt squeak and slip, increases pulling power. Helps keep belts soft and glaze free.

400ml Aerosol

Part No	Price
300 306	£17.45

Deep Groove Ball Bearings

OPEN FACED BEARINGS



Top Quality Japanese, Branded Deep Groove Ball Bearings - Open Faced - Bearing Without Seals or Shields C3 Spec Speed Rating - Radial Internal Clearance Greater Than Normal For High Speed Applications

Part No	I/D	O/D	Width	Price
6000C3	10mm	26mm	8mm	£2.85
6001C3	12mm	28mm	8mm	£3.00
6002C3	15mm	32mm	9mm	£3.20
6003C3	17mm	35mm	10mm	£3.21
6004C3	20mm	42mm	12mm	£3.80
6005C3	25mm	47mm	12mm	£4.30
6006C3	30mm	55mm	13mm	£5.01
6007C3	35mm	62mm	14mm	£6.50
6008C3	40mm	68mm	15mm	£8.20
6010C3	50mm	80mm	16mm	£11.30
6011C3	55mm	90mm	18mm	POA
6012C3	60mm	95mm	18mm	£16.50
6200C3	10mm	30mm	9mm	£3.18
6201C3	12mm	32mm	10mm	£2.90
6202C3	15mm	35mm	11mm	£3.12
6203C3	17mm	40mm	12mm	£3.50
6204C3	20mm	47mm	14mm	£4.26
6205C3	25mm	52mm	15mm	£4.47
6206C3	30mm	62mm	16mm	£5.82
6207C3	35mm	72mm	17mm	£8.75
6208C3	40mm	80mm	18mm	£11.00
6209C3	45mm	85mm	19mm	£14.17
6210C3	50mm	90mm	20mm	£14.60
6211C3	55mm	100mm	21mm	£17.20
6212C3	60mm	110mm	22mm	£21.40
6300C3	10mm	35mm	11mm	£3.90
6301C3	12mm	37mm	12mm	£4.00
6302C3	15mm	42mm	13mm	£4.11
6303C3	17mm	47mm	14mm	£4.60
6304C3	20mm	52mm	15mm	£4.96
6305C3	25mm	62mm	17mm	£6.60
6306C3	30mm	72mm	19mm	£8.90
6307C3	35mm	80mm	21mm	£11.89
6308C3	40mm	90mm	23mm	£15.50
6309C3	45mm	100mm	25mm	£22.43
6310C3	50mm	110mm	27mm	£25.90

CLOSED FACED BEARINGS



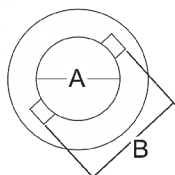
Top Quality Japanese, Branded Deep Groove Ball Bearings - Closed Face Rubber Seals - Bearings Fitted With Steel Reinforced Rubber Contact Seals C3 Spec Speed Rating - Radial Internal Clearance Greater Than Normal For High Speed Applications

Part No	I/D	O/D	Width	Price
6002RSC3	10mm	26mm	8mm	£3.72
60012RSC3	12mm	28mm	8mm	£4.00
60022RSC3	15mm	32mm	9mm	£7.00
60032RSC3	17mm	35mm	10mm	£5.97
60042RSC3	20mm	42mm	12mm	£5.11
60052RSC3	25mm	47mm	12mm	£5.70
60062RSC3	30mm	55mm	13mm	£6.98
60072RSC3	35mm	62mm	14mm	£8.92
60082RSC3	40mm	68mm	15mm	£11.21
60092RSC3	45mm	75mm	16mm	£13.80
60102RSC3	50mm	80mm	16mm	£14.70
60112RSC3	55mm	90mm	18mm	£18.70
60122RSC3	60mm	95mm	18mm	£24.70
62002RSC3	10mm	30mm	9mm	£3.71
62012RSC3	12mm	32mm	10mm	£3.78
62022RSC3	15mm	35mm	11mm	£4.07
62032RSC3	17mm	40mm	12mm	£4.57
62042RSC3	20mm	47mm	14mm	£5.38
62052RSC3	25mm	52mm	15mm	£6.47
62062RSC3	30mm	62mm	16mm	£7.72
62072RSC3	35mm	72mm	17mm	£11.37
62082RSC3	40mm	80mm	18mm	£13.52
62092RSC3	45mm	85mm	19mm	£17.40
62102RSC3	50mm	90mm	20mm	£21.97
62112RSC3	55mm	100mm	21mm	£22.40
62122RSC3	60mm	110mm	22mm	£27.80
63002RSC3	10mm	35mm	11mm	£4.42
63012RSC3	12mm	37mm	12mm	£5.07
63022RSC3	15mm	42mm	13mm	£5.36
63032RSC3	17mm	47mm	14mm	£7.19
63042RSC3	20mm	52mm	15mm	£11.51
63052RSC3	25mm	62mm	17mm	£8.80
63062RSC3	30mm	72mm	19mm	£12.15
63072RSC3	35mm	80mm	21mm	£16.36
63082RSC3	40mm	90mm	23mm	£22.46
63092RSC3	45mm	100mm	25mm	£28.32
63102RSC3	50mm	110mm	27mm	£33.60

Tank Caps

Fuel & Water Tank Caps for Hatz Bomag Wacker

Hatz / Bomag Fuel Caps. Push and twist type cap with rubber washer.



Part No.	O/D	Neck Ø (A)	Tab Ø (B)	Price
801 050	50mm	30mm	35mm	£10.17
801 110	110mm	80mm	90mm	£16.15

Cap Neck fo 60mm Cap (801 060)	Fuel Cap fits Thwaites MACH 201, 471, 573	90mm Diesel/Hydraulic Tank Cap (90D)	Spare Washer for 90D Cap	Cap Neck for 90D Cap (760 400)
801 061 £6.00	T52283 £43.15	760 400 £26.00	760 401 £1.44	760 402 £13.00
Water Tank Cap for Bomag BW55, BW120	Diesel Tank Cap (Ø = 90mm, A = 53mm)	Diesel Tank Cap (Ø = 90mm, A = 67mm)	Lockable Diesel Tank Cap (Ø = 90mm, A = 67mm)	Plain Tank Cap (Ø = 90mm, A = 67mm)
01492604 £41.23	250 4479 £33.92	250 5780 £29.95	250 7035 £43.90	250 8863 £36.66
Fuel Cap - Petter CE12 fits PH Engines	Spare Washer for CE12 Cap	Winget/RJE Lockable Cap 70mm Dia	Spare Washer for RJE Cap	100mm Tank Cap fits Ingersoll Rand
760 380 £14.44	760 410 £0.81	760 370 £27.12	760 371 £0.42	22903389 £54.30
43mm Hydraulic Cap & Neck - fits Beaverpack	Cork Washer to suit 43mm Hydraulic Cap	75mm Hydraulic Breather Cap and Neck	Hydraulic Breather Cap 75mm with Lockable Tabs	Cork Washer to suit 75mm Hydraulic Caps
760 330 £9.95	760 345 £0.35	760 310 £12.70	760 320 £47.07	760 340 £0.72

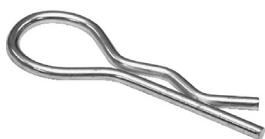
Pins & Links

LYNCH PINS



Part No	Pin Diam.	Ring Diam.	Price
LP316	3/16" (5mm)	38mm	£0.32
LP14	1/4" (6mm)	39mm	£0.32
800 430	1/4" (6mm)	70mm	£0.69
LP516	5/16" (8mm)	45mm	£0.32
800 440	5/16" (8mm)	74mm	£0.90
LP38	3/8" (10mm)	70mm	£0.75
LP716	7/16" (11mm)	50mm	£1.50
800 450	3/8" c/w Lock Pin	65mm	£1.50
105 258	16 Assorted (sizes 1/4" - 7/16")		£13.78

R CLIPS



Part No	Wire Diam.	Length	Price
S8	2mm (5/64")	43mm	£0.11
S9	2.5mm (3/32")	46mm	£0.11
S10	3mm (1/8")	67mm	£0.15
S11	3.5mm (9/64")	68mm	£0.16
S12	4mm (5/32")	79mm	£0.17
S13	5mm (13/64")	105mm	£0.23
S14	6mm (1/4")	115mm	£0.56
S15	7mm (9/32")	163mm	£1.09
105 259	50 Assorted (sizes 2 - 6mm, 3/16", 1/4")		£13.97

PROP PINS



16mm (5/8") EN8 Pin
13 Link Mild Steel Chain
54mm I/D Ring
Zinc Plated

Part No	Price
803 242	£1.34

ROTOVATOR CLIPS



Part No	Pin Diam.	Pin Length	Price
S271	1/4" (6mm)	70mm	£1.19
S266	5/16" (8mm)	70mm	£1.20
S273	3/8" (10mm)	70mm	£1.20
S449	7/16" (12mm)	70mm	£1.30

SQUARE ROTOVATOR CLIPS



Zinc Passivated

Part No	Pin Diam.	Pin Length	Price
S272	7/16" (12mm)	50mm	£1.60

COTTER PIN & CHAIN



Forged Cotter Pin
Zinc Plated

Part No	Price
200 916	£3.52

SPRING HOOK & CHAIN



Roller Shutter Spring Hook
75mm x 200mm
Zinc Plated

Part No	Price
705 124	£5.50

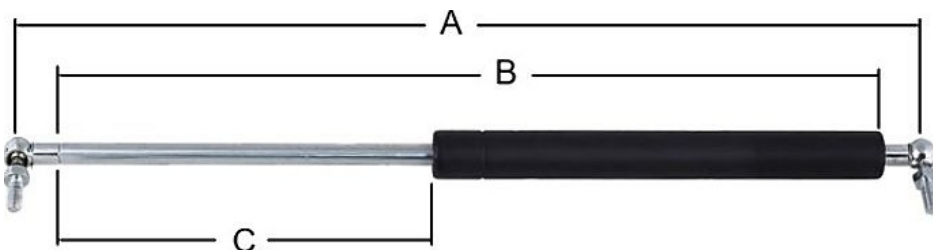
TRESSLE PINS



9.5mm (3/8") EN8 Pin
6 Link Mild Steel Chain
54mm I/D Ring
Zinc Plated

Part No	Price
803 121	£1.73

Gas Struts



Supplied with removable ball joints as standard

Part No.	Application	Eyelet	A	B	C	Newtons	Price
997 151	Atlas Copco XAS35, XAS45	M8	510	455	200	700	£27.00
995 496	Atlas Copco XAS46, XAS66	M8	400	350	150	1300	£25.94
816 129	Bomag BW120	M8	520	460	205	300	£25.08
816 130	Bomag BW161 Engine Cover	M8	385	341	155	1300	£30.80
991 294	Bomag BW161 Scraper Bar	M6	225	170	60	400	£23.60
992 175	Bomag BW161 BW213 Door	M8	400	350	150	150	£26.90
996 109	Bomag BW219	M10	900	850	400	1700	£49.80
997 079	Compair 20	M8	500	456	200	300	£29.80
997 240	Compair 25	M8	515	455	200	1000	£27.30
997 187	Compair 85	M8	500	456	200	800	£29.60
816 126	Hydrovane HV4 HV7	M8	310	250	100	600	£24.80
816 125	Zitair 85, 125		515	455	200	700	£25.74
816 127	Ingersoll Rand P101 P130 P150 P180	M8	700	640	300	290	£29.20
997 100	Ingersoll Rand P101WD - P600W	M8	515	455	200	300	£29.80
994 634	JCB No. 120/92806		250	200	75	250	£24.80
995 823	JCB No. 123/05403	M6	345	295	125	250	£26.50
993 164	JCB No. 231/55103	M6	500	455	195	300	£25.20
994 530	JCB No. 331/14573	M6	330	290	125	260	£24.40
994 529	JCB No. 331/20895	M6	430	385	190	460	£20.35
995 815	Thwaites 5-6 Tonne	M10	490	425	180	1350	£32.80
816 128	Thwaites 5-6 Tonne T14488	M8	515	455	200	1000	£22.75
997 691	Large Tool Chests	M8	800	756	350	600	£28.60
997 532	Wilson Generator	M8	710	650	300	600	£33.90
997 695	Spare Ball Joint - M6						£3.35
997 696	Spare Ball Joint - M8						£6.00
997 697	Spare Eyelet - M6						£3.30
997 698	Spare Eyelet - M8						£3.50
997 699	Spare Eyelet - M10						£4.80

RAIN CAPS








Counterweight Type Rain Cap

Can be fitted to most types of exhaust

Part No.	Size	Price
311 200	Fits 2" Tube	£3.33
311 212	Fits 2.1/2" Tube	£8.22
311 234	Fits 2.3/4" Tube	£6.47
311 300	Fits 3" Tube	£7.37
311 312	Fits 3.1/2" Tube	£8.39
311 400	Fits 4" Tube	£12.40

Self Adhesive Machine Labels

Check Oil Daily	2 Stroke Petrol/Oil Mix Do not use unleaded fuel	4 Stroke Petrol Only	DIESEL ONLY
ML1	ML2	ML3	ML4
<p>NOTICE TO HIRER</p> <p>The undermentioned MUST be checked DAILY</p> <p>FUEL - ENGINE - OIL - WATER TYRES - GREASE</p> <p>Repairs caused by neglect of the above points will be charged to the hirer as per the hire contract.</p>			 <small>Wear ear protectors when operating this machine</small>
ML5	ML6	ML7	ML8
PLEASE ENSURE THAT THIS MACHINE IS RETURNED IN A CLEAN CONDITION AS CLEANING IS CHARGEABLE	S.W.P. 100lbs per " / 7 BAR	 To be used by trained and authorised personnel only	BEWARE THIS DERY CONTAINS A BLUE DYE MARKER
ML9	ML10	ML11	ML12
PLEASE ENSURE THAT THIS CABIN IS RETURNED IN A CLEAN CONDITION AS CLEANING IS CHARGEABLE	CHOKER ON →	← CHOKER ON	PETROL ON →
ML13	ML14	ML15	ML16
← PETROL ON		INSPECTED comments signed dated	REJECTED comments signed dated
ML17	ML18	ML19	ML20
CALIBRATED signed dated due	FOR INDICATION ONLY	USE COLD START Check machine instructions located in documents enclosed pouch	YOUR NEXT SERVICE DUE ON
ML21	ML22	ML23	ML24

Part No.	Size	Quantity	Price	Part No.	Size	Quantity	Price
ML1	60 x 25mm	50	£10.30	ML13	100 x 70mm	1	£0.50
ML2	60 x 25mm	50	£10.30	ML14	60 x 25mm	50	£10.30
ML3	60 x 25mm	50	£10.00	ML15	60 x 25mm	50	£10.30
ML4	60 x 25mm	50	£10.00	ML16	60 x 25mm	50	£10.30
ML5	100 x 70mm	1	£0.50	ML17	60 x 25mm	50	£9.00
ML6	25 x 25mm	50	£10.00	ML18	100 x 100mm	1	£0.50
ML7	25 x 25mm	50	£10.00	ML19	40 x 30mm	50	£10.00
ML8	100 x 100mm	1	£0.50	ML20	40 x 30mm	50	£9.00
ML9	110 x 60mm	1	£0.50	ML21	40 x 30mm	50	£10.30
ML10	150 x 40mm	1	£0.50	ML22	60 x 25mm	50	£9.00
ML11	135 x 80mm	1	£0.50	ML23	100 x 50mm	1	£0.50
ML12	60 x 25mm	50	£9.00	ML24	40 x 30mm	50	£10.00
				ML25	Any Size	Any Qty	POA

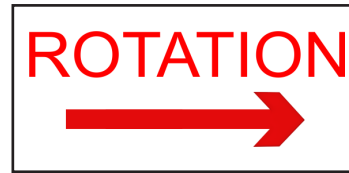
Self Adhesive Machine Labels



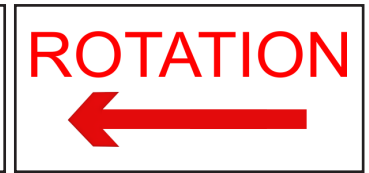
ML26



ML27



ML28



ML29



ML30



ML31



ML32



ML33



ML34



ML35



ML36



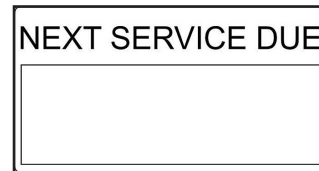
ML37



ML38



ML39



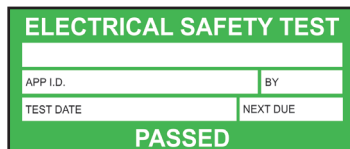
ML40



ML41



ML42



ML43



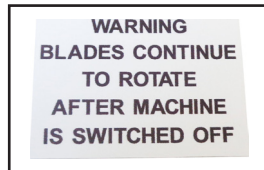
ML44



ML45



ML46



ML47



ML48



ML49



ML50



ML51



ML52



ML53

Part No.	Size	Quantity	Price	Part No.	Size	Quantity	Price
ML26	110 x 60mm	1	£0.50	ML40	40 x 30mm	50	£10.00
ML27	50 x 50mm	50	£10.30	ML41	60 x 25mm	50	£10.00
ML28	60 x 25mm	50	£9.00	ML42	40 x 30mm	50	£10.30
ML29	60 x 25mm	50	£9.00	ML43	40 x 30mm	50	£10.00
ML30	60 x 25mm	50	£9.44	ML44	50 x 70mm	50	£10.00
ML31	60 x 25mm	50	£9.44	ML45	40 x 30mm	50	£10.00
ML32	60 x 25mm	50	£10.00	ML46	40 x 30mm	50	£10.30
ML33	60 x 25mm	50	£9.72	ML47	40 x 30mm	50	£10.30
ML34	100 x 70mm	1	£0.50	ML48	25 x 25mm	50	£10.00
ML35	60 x 25mm	50	£9.00	ML49	25 x 25mm	50	£10.00
ML36	25 x 25mm	50	£9.00	ML50	25 x 25mm	50	£9.00
ML37	60 x 25mm	50	£9.44	ML51	25 x 25mm	50	£3.85
ML38	60 x 25mm	50	£10.30	ML52	25 x 25mm	50	£9.00
ML39	60 x 25mm	50	£9.00	ML53	60 x 25mm	50	£9.72

Chainsaw Chain & Guide Bars



Chain & Guide Bars for Stihl Chainsaws

Use the table below to select the correct bar & chain loop combination for your Stihl chainsaw.



Stihl Model	Bar Length	Chain Pitch	Chain Gauge	Drive Links	Stihl Guide Bar		Stihl Chain Loop	
					Part No.	Price	Part No.	Price
MS150, MS150T, MSA160T HT101, HTA85	10"	1/4"P	1.1mm	56	3005 008 3403	£25.70	3670 000 0056	£14.25
	12"	1/4"P	1.1mm	64	3005 008 3405	£28.98	3670 000 0064	£16.50
HT70, HT75, HT100, HT101 KM-HT, 017, 018, 019T, MS190, E140, MSE140, MS170 MS171, MS180, MS192	12"	3/8"P	1.1mm	44	3005 000 3905	£29.95	3610 003 0044	£11.25
	14"	3/8"P	1.1mm	50	3005 000 3909	£36.00	3610 003 0050	£12.75
009, 010, 011, 018, 019, 019T 020, 020T, 021, E10, E14, E180 MS200, MS200T, MSE160 MS180, MS181, MSE180, MS192, MS201T, MS210, MS211	12"	3/8"P	1.3mm	44	3005 000 4805	£35.50	3636 003 0044	£12.00
	14"	3/8"P	1.3mm	50	3005 000 4809	£39.00	3636 003 0050	£13.60
	16"	3/8"P	1.3mm	55	3005 000 4813	£43.40	3636 003 0055	£14.95
012, 023 MS230, MS231 025, MS250, MS251	14"	3/8"P	1.3mm	50	3005 000 4809	£39.00	3636 003 0050	£13.60
	16"	3/8"P	1.3mm	55	3005 000 4813	£43.40	3636 003 0055	£14.95
	18"	3/8"P	1.3mm	61	3005 000 4817	£47.57	3636 003 0061	£16.53
	14"	.325"	1.6mm	56	3005 000 4709	£39.23	3629 003 0056	£16.15
	16"	.325"	1.6mm	62	3005 000 4713	£43.40	3629 003 0062	£17.85
	18"	.325"	1.6mm	68	3005 008 4717	£47.57	3629 003 0068	£19.55
MS240, MS260, MS261, E160, 024 026, 028, 029, 030, 031, 032, 034 036, 039, MS270, MS280, MS290 MS360, MS361, MS362, MS390	13"	.325"	1.6mm	56	3003 000 5306	£37.15	3639 003 0056	£16.15
	15"	.325"	1.6mm	62	3003 000 6811	£40.98	3639 003 0062	£17.85
	16"	.325"	1.6mm	67	3003 000 6813	£43.40	3639 003 0067	£19.35
	18"	.325"	1.6mm	74	3003 008 6817	£47.57	3639 003 0074	£21.25
029, 031, 032, 034, 036, 038, 039 041, 042, 044, 045, 046, 048, 056 064, 066, E15, E20, E220, MS290 MS310, MS311, MS340, MS341 MS360, MS361, MS362, MS390 MS391, MS440, MS441, MS460 MS640, MS650, MS660, MS661	16"	3/8"	1.6mm	60	3003 000 7713	£43.40	3621 003 0060	£19.32
	18"	3/8"	1.6mm	66	3003 008 7717	£47.57	3621 003 0066	£21.22
	20"	3/8"	1.6mm	72	3003 000 5221	£53.82	3621 003 0072	£23.15
	25"	3/8"	1.6mm	84	3003 000 5231	£64.93	3621 003 0084	£26.90
	30"	3/8"	1.6mm	98	3003 000 6041	£103.20	3621 003 0098	£31.35
	36"	3/8"	1.6mm	114	3003 000 6053	£120.50	3621 003 0114	£36.42
07S, 08, 08S, 050, 051, 075 076, 084, 088, E30, MS880	17"	.404"	1.6mm	60	3002 000 9215	£64.23	3946 003 0060	£21.35
	21"	.404"	1.6mm	68	-	-	3946 003 0068	£24.15
	25"	.404"	1.6mm	80	3002 000 9731	£87.30	3946 003 0080	£28.35
	30"	.404"	1.6mm	91	3002 000 9741	£103.20	3946 003 0091	£32.20
	36"	.404"	1.6mm	108	3002 000 9753	£120.50	3946 000 0108	£38.15



Chain & Guide Bars for Husqvarna Chainsaws

Genuine Husqvarna bars & complementary Stihl chain loops.



Husqvarna Model	Bar Length	Chain Pitch	Chain Gauge	Drive Links	Husqvarna Guide Bar		Stihl Chain Loop	
					Part No.	Price	Part No.	Price
T435, 327P4, 327P5X, 315, 316, 318EL, 317E, 321E, 135, 135e, 140, 140e, 334T, 335XPT, 338XPT	12"	3/8"P	1.3mm	45	501 95 92 45	£22.00	3636 003 0045	£12.27
	14"	3/8"P	1.3mm	52	501 95 92 52	£22.67	3636 003 0052	£14.13
33, 36, 41, 40, 45, 49, 42, 44, 51 55, 133, 136, 141, 137, 142, 234 235e, 238, 240e, 242, 246, 339XP 340, 444, 345, 350, 346XP	13"	.325"	1.3mm	56	582 07 53 56	£34.67	3693 003 0056	£16.15
	15"	.325"	1.3mm	64	582 07 53 64	£45.10	3693 003 0064	£18.42
340, 444, 345, 350, 346XP, 351 353, 357XP, 359, 362XP, 435 435e, 440e, 445, 445e, 450e 455, 460, 545, 550XP, 555, 560XP	15"	.325"	1.5mm	64	582 08 69 64	£41.33	3638 000 0064	£19.40
	18"	.325"	1.5mm	72	538 92 07 72	£48.66	3638 003 0072	£20.68
61, 65, 67, 162, 181, 185, 266, 268 272, 281XP, 288XP, 285, 298 365XP, 372XP, 385XP, 390XP, 394 395XP, 465 Rancher, 570XP, 576XP	20"	3/8"	1.5mm	72	585 95 08 72	£52.67	3622 003 0072	£23.12

Chainsaw Accessories



Chain Sharpening Files (Handle not included)			
Part No.	File Ø	Chain Type	Price
5605 771 3206	1/8" (3.2mm)	1/4" Picco	£1.60
350 116	5/32" (4.0mm)	1/4", 3/8" Picco	£1.60
350 117	3/16" (4.8mm)	.325"	£1.58
350 115	13/64" (5.2mm)	3/8"	£1.60
350 118	7/32" (5.5mm)	.404"	£1.58



Stihl Round File & Handle c/w Filing Guide			
Part No.	File Ø	Chain Type	Price
5605 750 4327	5/32"	1/4", 3/8" Picco	£9.95
5605 750 4328	3/16"	.325"	£9.95
5605 750 4329	13/64"	3/8"	£9.95
5605 750 4330	7/32"	.404"	£9.95



Stihl Filing Kits - Includes Round File, Flat File & Gauge			
Part No.	File Ø	Chain Type	Price
5605 007 1000	1/8"	1/4" Picco	£25.15
5605 007 1027	5/32"	1/4", 3/8" Picco	£24.15
5605 007 1028	3/16"	.325"	£24.15
5605 007 1029	13/64"	3/8"	£24.15
5605 007 1030	7/32"	.404"	£24.15

Stihl Synth-Plus Chain Oil 1 Litre	Stihl Synth-Plus Chain Oil 5 Litre	White Fuel/Oil Canister 5.5L Fuel/3ltr Oil	Anti-spill Nozzle for Fuel Canister	Stihl 2-Stroke Mixing Bottle
350 431 £5.80	350 435 £19.50	350 733 £23.28	350 046 £15.53	0000 881 9411 £4.02
Stihl Fuel/Oil Canister 5L Fuel/3ltr Oil - Clear	Stihl Fuel/Oil Canister 5L Fuel/3ltr Oil - Orange	Stihl Fuel Filling System for 0000 881 0123	Stihl Oil Filling System for 0000 881 0123	Spout with Cap for Stihl Fuel/Oil Canister
0000 881 0123 £29.05	0000 881 0113 £29.05	0000 890 5005 £11.88	0000 890 5004 £11.88	0000 881 0128 £4.02
Chainsaw File Handle	Stihl Wooden File Handle	Flat File for Reworking Depth Gauge	Flat File & Handle	Filing Gauge for 1/4", Picco, .325" & 3/8" Chain
350 175 £0.80	0811 490 7860 £1.68	351 176 £1.80	351 177 £4.19	1110 893 4000 £7.15

Chainsaw Accessories

Chainsaw Safety Kits

Kit Includes:

- Bib-n-Brace Safety Trousers - Protective Area A, Resistance Class 1 (20ms)
- Safety Helmet c/w Ear Defenders & Mesh Visor - EN 397:1995, 89/686/EEC
- Soft Hide Chainsaw Mittens - Class 0 (0-16ms)
- Bum Bag First Aid Kit



Part No.	Size	Chest	Waist	Leg	Glove	Price
350 250	Medium	36-40"	32-34"	Standard	Size 10	£109.70
350 251	Medium	36-40"	32-34"	Long	Size 10	£109.70
350 252	Large	40-44"	36-38"	Standard	Size 10	£109.70
350 253	Large	40-44"	36-38"	Long	Size 10	£109.70
350 254	X Large	44-48"	38-40"	Standard	Size 10	£109.70
350 255	X Large	44-48"	38-40"	Long	Size 10	£109.70



Bib-n-Brace Safety Trousers

Meets all current safety legislation.

Protective area A, resistance class 1 (20ms).

Complies with: FPA, KWF, DLG Signum Test, CE EN381

Part No.	Size	Chest	Waist	Leg	Price
350 257	Medium	36-40"	32-34"	Standard	£90.66
350 258	Medium	36-40"	32-34"	Long	£90.66
350 259	Large	40-44"	36-38"	Standard	£90.66
350 212	Large	40-44"	36-38"	Long	£90.66
350 260	X Large	44-48"	38-40"	Standard	£90.66
350 261	X Large	44-48"	38-40"	Long	£90.66

									
Safety Helmet c/w Mesh Visor & Ear Defenders	Stihl 'Function' Safety Helmet	Husqvarna 'Functional' Safety Helmet	Chainsaw Mittens Class 0 - Size 10	Chainsaw Mittens Class 0 - Size 11					
719	£0.92	0000 888 0810	£44.05	576 41 24 02	£67.58	350 161	£13.94	351 022	£13.94

Chainsaw Scabbards



Arborist

Part No.	Bar Length	Guide Bar Starts With	Price
0000 792 9170	up to 10"	3005 (mini)	£2.53
0000 792 9171	up to 14"	3005 (mini)	£2.98
0000 792 9172	up to 14"	3005	£3.58
0000 792 9174	up to 15"	3003	£2.98
0000 792 9173	up to 18"	3005	£3.35
0000 792 9175	up to 18"	3003, 3006	£3.34
0000 792 9176	up to 22"	3003	£3.72
0000 792 9177	up to 25"	3003, 3002	£4.07
0000 792 9160	up to 14"	Arborist (MS200T, MS201T)	£3.80

Stihl Chainsaw Parts

N/G Cylinder & Piston Fits MS200T	N/G Cylinder & Piston Fits MS201T	N/G Cylinder & Piston Fits MS261	N/G Cylinder & Piston Fits MS362	Genuine Cylinder & Piston Fits MS150T
710 933 £39.50	350 952 £50.00	350 942 £59.00	351 792 £55.00	1146 020 1200 £41.39
N/G Cylinder & Piston 44mm - Fits MS260	N/G Cylinder & Piston 44.7mm - Fits MS260	N/G Cylinder & Piston 48mm - Fits MS360	N/G Cylinder & Piston 52mm - Fits MS460	N/G Cylinder & Piston 54mm - Fits MS660
725 005 £34.58	725 017 £39.00	725 007 £39.00	725 021 £45.00	725 014 £34.76
Fuel & Oil Filler Cap Fits MS170, MS180	Fuel Filler Cap Fits MS171 ->	Oil Filler Cap Fits MS171 ->	Air Filter Fits MS170, MS180	Air Filter Fits MS200T
1130 350 0500 £5.67	0000 350 0533 £8.18	0000 350 0537 £7.07	1130 124 0800 £1.44	1129 120 1602 £6.09
Air Filter Fits MS171	Air Filter Fits MS181, MS211	Air Filter Fits MS201T	Air Filter MS150T	Air Filter MS210, MS230, MS250
1139 124 0800 £1.91	1139 120 1602 £6.06	1145 140 4402 £6.24	1146 140 4402 £5.25	1123 120 1613 £5.25
Air Filter Fits MS240, MS260	Air Filter HD2 MS241, MS261, MS362	Fuel Filter MS170 -> MS230	Fuel Filter MS200T ->	Fuel Primer Pump MS181, MS210, MS211
1121 120 1617 £11.87	1141 140 4400 £8.68	0000 350 3500 £4.48	0000 350 3504 £4.48	4130 350 6200 £6.50

Chainsaw Accessories

Chain & Sprocket Kits

Kits contain genuine Stihl chain, non genuine sprocket, sprocket bearing, washer and e-clip



Part No.	Fits	Bar	Pitch	Gauge	Links	Price
350 073	MS170, MS180	12"	3/8 Picco	1.1mm	44	£25.06
350 074	MS170, MS180	14"	3/8 Picco	1.1mm	50	£26.56
350 020	MS180	14"	3/8 Picco	1.3mm	50	£27.41
350 075	MS200T	12"	3/8 Picco	1.3mm	44	£37.40
350 076	MS200T	14"	3/8 Picco	1.3mm	50	£31.00
350 077	MS250	14"	.325	1.6mm	56	£41.15 *
350 078	MS250	16"	.325	1.6mm	62	£42.85 *
350 079	MS250	18"	.325	1.6mm	68	£44.55 *
350 080	MS260, MS270, MS280	16"	.325	1.6mm	67	£39.79 *
350 081	MS260, MS270, MS280	18"	.325	1.6mm	74	£29.81
351 088	MS261	16"	.325	1.6mm	67	£61.09 *
351 089	MS261	18"	.325	1.6mm	74	£63.08 *
350 082	MS341, MS361, MS362, MS460, MS441, MS461	16"	3/8	1.6mm	60	£36.54
350 083	MS341, MS361, MS362, MS460, MS441, MS461	18"	3/8	1.6mm	68	£38.44
350 084	MS341, MS361, MS362, MS460, MS441, MS461	20"	3/8	1.6mm	72	£40.34
350 086	MS340, MS360	18"	3/8	1.6mm	66	£65.33 *
350 087	MS340, MS360	20"	3/8	1.6mm	72	£74.28 *

* kit contains genuine sprocket

Sprocket Cover Nut M8 Fits most saws	Sprocket Washer Fits smaller saws	Sprocket Washer 27mm Fits larger saws	Sprocket Bearing MS170 -> MS391	Sprocket Bearing MS340 ->
0000 955 0801 £1.75	0000 958 1022 £1.38	0000 958 1032 £1.61	9512 933 2260 £5.19	9512 933 2380 £7.05
Sprocket E-Clip Fits most saws	Chain Sprocket 3/8 Picco MS171, MS181, MS211	Chain Sprocket 3/8 Picco MS201T	Rim Sprocket Kit .325" MS261	Rim Sprocket Kit .325" MS361, MS362, MS441
9460 624 0801 £0.40	1123 640 2073 £16.85	1145 640 2010 £16.99	1141 007 1002 £33.67	1128 007 1000 £35.96

Brushcutter Cutting Heads

Cutting Heads for Stihl Brushcutters



AutoCut - The nylon line is automatically adjusted by tapping the cutting head against the ground.
PolyCut - Used with thermoplastic blades. All-round tool for cutting weeds, trimming around obstacles and small fields.



(-2/-3 number of lines from head)

Stihl Model	Fig.	Description	Part No.	Price
FS38, FS40, FS45, FS46, FS50	2	AutoCut C6-2	4006 710 2126	£13.50
	1	PolyCut 7-3	4006 710 2127	NLA
FS36, FS40 (up to 2000), FS75, FS85, FS90, FS110, FE55, KM55, KM56, FSB-KM	3	AutoCut 11-2	4004 710 2192	£12.38
FSE65, FS25-4, FS45, FS55, KM55, KM56, FS56, FS70, FS80, FS83, FS85, FS87, FS90, KA85, KM85, KM90, FS100, FS110, FS130, KM100, KM110, FS120, KM130, FS200, FS250, FS130, FS-KM, FR85, FR130, KR85, FR220, FR350, FR450, FR480	4	AutoCut C26-2	4002 710 2169	£21.50
	5	PolyCut 20-3	351 027 *	NLA
FS160, FS220, FS260, FS280, FS290, FS310, FS350, FS360, FS400, FS410, FS450, FS460, FS480, FS490	6	AutoCut 40-2	4003 710 2189	£21.40
	7	PolyCut 41-3	351 032 *	£16.48
FS280, FS290, FS450, FS460, FS480, FS490, FS500, FS550, FS510, FS560	8	Autocut 56-2	4005 710 2107	£29.20
	7	PolyCut 41-3	351 032 *	£16.48

* Non-Genuine Part

Cutting Heads for Honda Brushcutters

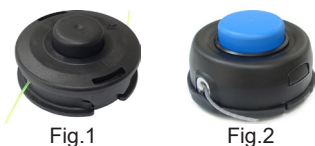


Genuine Honda nylon line trimmer heads.



Honda Model	Fig.	Description	Part No.	Price
UMS425	1	Tap-n-Go Head (2.4mm Line)	72560 VL6 R13	£45.36
UMK425, UMK431, UMK435, UMR425	2	Tap-n-Go Head (2.4 - 2.7mm Line)	06725 VJ5 305	£47.63
UMK422, UMK431, UMR431	3	Tap-n-Go Head (2.4 - 2.7mm Line)	72560 VF9 C41EX	£45.36

Cutting Heads for Husqvarna Brushcutters



T35 Universal Head fits most Husqvarna trimmers.



Husqvarna Model	Fig.	Description	Part No.	Price
128L, 124L, 323L, 327LS, 224L, 324LD, 327LD, 128LD, 128RJ, 223RJ, 327RJ, 128R, 232R, 324R, 327R, 327RD	1	Tap-n-Go Head M10 x 1.25 L/H	350 172	£9.66
128L, 124L, 323L, 327LS, 224L, 324LD, 327LD, 128LD, 335LS, 128RJ, 233RJ, 327RJ, 333RJ, 335RJ, 128R, 323R, 324R, 327R, 327RD, 133R, 226R, 333R, 335R, 335FR, 238R, 235FR, 143R, 153R, 241R, 236R, 243RJ, 253RJ, 253RB	2	T35 Tap-n-Go Head w/ Multi Adaptor Kit (2.4 - 2.7mm Line)	578 44 94 01	£23.82

Brushcutter Blades



Fig.1

Fig.2

Fig.3

Metal Blades for Stihl Brushcutters

Other blades stocked - please contact us



Stihl Model	Fig.	Description	Part No.	Price
FS55, FS56, FS70, KM55, KM56	1	Grass Cutting Blade 230-2	4001 713 3805	£11.50
FS80, FS85, FS87, FS90, FS80R, FS85R, FS87R, FS90R, KA85, KM85, KM90, KA85R, KM85R, KM90R, FS100, FS110, KM100, KM110, FS100R, FS110R, KM100R, KM110R, FS120, FS200, FS250, FS130, KM130, FS120R, FS130R, KM130R, FS200R, FS250R, FR85, FR85T, FR130T, FR220, FR350, FR450, FR480	2	Brush Knife 250mm 3 Blade	4112 713 4100	£18.50
	3		350 850*	£9.06
FS160, FS220, FS260, FS280, FS290, FS310, FS350, FS360, FS400, FS410, FS450, FS460, FS480, FS490	2	Brush Knife 300mm 3 Blade	4119 713 4100	£23.00
	3		350 860*	£9.61
FS500, FS550	2	Brush Knife 350mm 3 Blade	4000 713 4100	£45.32
	3		350 859*	£10.95

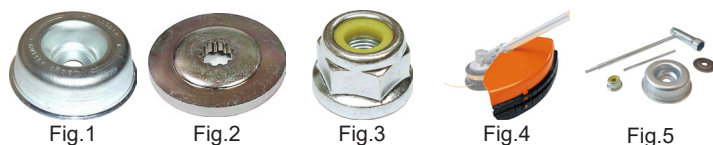


Fig.1

Fig.2

Fig.3

Fig.4

Fig.5

Metal Blade Accessories for Stihl Brushcutters

Blade fixings for later brushcutters - for earlier models please contact us



Stihl Model	Fig.	Description	Part No.	Price
FS25-4, FS44, FS55, FS56, FS65-4, FS80, FS85, FS85T, FS87, FS90, FS100, FS110, FS130, FS120, FS200, FS240, KM55, KM56, KA85, KM85, KM90, KM100, KM110, KM130, FS66, FS74, FS81, FS86, FS88, FS106, FS108, FR85, FR106, FR108, FR220, FR350, FR410, FR450, FR460, FR480, KR85	1	Rider Cup Thrust Washer Nut (M10x1) Blade Fixing Kit	4126 713 3100	£7.52
	2		4130 713 1600	£3.20
	3		4126 642 7600	£4.03
	5		350 190*	£21.86
FS160, FS220, FS280, FS290, FS300, FS310, FS350, FS400, FS450, FS480, FS260, FS360, FS410, FS460, FS490	1	Rider Cup Thrust Washer Nut (M12x1.5) Blade Fixing Kit	4119 713 3100	£7.70
	2		4128 713 1600	£5.27
	3		4119 642 7600	£3.69
	5		350 193*	£23.78
FS460, FS96, FS25-4, FS65-4, FR350, FR450, FR480, FS240, FS260, FS75, FS80, FS85, FS81, FS86, FS400, FS450, FS480, FS220, FS280, FS290, FS72, FS74, FS76, FS130, FS87, FR220, FS100, FS110, FS88, FR85, FS160, FS180, FS90, FS310, FR108, FSE65, FS83, FS120, FS200, FS250, FS108, FS300, FS350, FS-KM, FS62, FS66, FS106, FS36, FS40, FS44, FS55, FR130	4	Universal Blade Guard	4119 007 1013	£50.57

* Non-Genuine Part

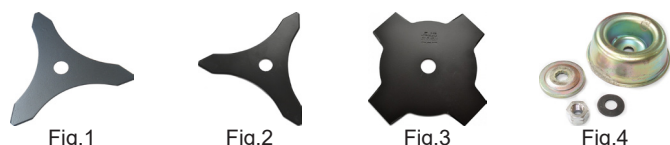


Fig.1

Fig.2

Fig.3

Fig.4

Metal Blades for Honda Brushcutters

Other blades stocked - please contact us



Honda Model	Fig.	Description	Part No.	Price
UMK425, UMK431, UMK435	1	Brush Knife 250mm Blade	72511 VJ5 000HE	£33.18
	2		350 850*	£9.06
UMK422, UMK425, UMK431, UMK435, UMR431	3	Grass Cutting Blade 230mm	72511 VF9 E32	£31.83
UMK425 UMK431 (not for UMK422 / 435)	4	Fixing Kit	06812 VJ5 000HE	£21.51

Brushcutter Accessories

Stihl 2-Stroke Engine Oil

Top selling mineral oil 2-stroke engine oil. Specially developed for STIHL engines. Excellent lubrication and combustion properties.

Part No.	Size	Price
0781 319 8401	1 x 100ml single shot	£1.45
350 400	10 x 100ml single shots	£13.00
350 410	1 Litre with measure	£10.25
350 420	5 Litre	£27.68



Single Strimmer Harness	Double Strimmer Harness with Hip Plate	380mm Universal Guard Shaft Ø: 28mm	300mm Universal Guard Shaft Ø: 26mm	280mm Universal Guard Shaft Ø: 24mm					
350 157	£5.18	350 158	£13.05	350 160	£26.00	350 049	£10.64	350 050	£8.64
Face Shield Wire Mesh Type	Face Shield Clear Type	Stihl Mesh Visor Set	Universal Polycut Head Cut Ø: 230mm	Universal Polycut Head Cut Ø: 300mm					
200 215	£8.50	200 214	£6.85	0000 884 0251	£33.81	351 027	NLA	351 032	£16.48
Stihl Polycut Blades Pack of 12	Stihl Polycut Blade Bolt (each)	BesserTrim All Metal Trimmer Head kit	BesserTrim 3.5mm Cutters 20cc Models & Over (50pk)	BesserTrim 4.0mm Cutters 35cc Models & Over (50pk)					
4111 007 1001	£4.50	4111 710 8700	£4.25	350 801	£13.63	350 802	NLA	350 803	NLA
Universal Rider Cup O/D: 82mm x 8mm Hole	Universal Rider Cup O/D: 82mm x 10mm Hole	Universal Rider Cup O/D: 82mm x 12mm Hole	Blade Reducing Ring 1" to 20mm	Stihl Gear Grease 80mg Tube					
350 181	£2.90	350 182	£2.90	350 183	£2.90	350 184	£1.67	350 448	£6.65

Stihl Trimmer/Kombi Parts

				
Tommy Screw Fits KM55 - KM130	Sleeve Fits KM55 - KM130	Air Filter Fits KM55, FS55, HL45	Fuel Filter Fits KM55, FS55, HL45	Recoil Assy (not CE) Fits KM55, FS38,45,46,55
4140 790 7501 £4.41	4140 791 7201 £3.22	4140 124 2800 £1.76	0000 350 3502 £4.48	4140 190 4009 £42.88
				
Drive Shaft (top section) Fits KM55, KM56	Clutch Fits KM55, FS55, HL45	Clutch Drum Fits KM55, FS55	Ignition Module (2001>) Fits KM55, FS55, HS45	Cylinder & Piston Fits KM55 FS55 BG55
4140 711 3203 £21.85	4140 160 2005 £31.88	4140 160 2909 £23.52	4140 400 1308 £36.67	4140 020 1202 £39.42
				
Bearing Housing Fits FS38 FS45 FS50	Starter Grip fits Trimmers, Blowers etc.	Base for AutoCut 25-2 Trimmer Head	Eyelet for AutoCut 25-2 Trimmer Head	Spool for AutoCut 25-2 Trimmer Head
4144 640 5900 £15.99	4140 195 3400 £2.99	4002 713 9708 £12.06	4003 713 8301 £2.10	4002 710 4313 £6.37
				
Air Filter Fits FS87-130, KM90-130	Genuine Service Kit for Stihl HS85	Primer Cap Fits BG, FS, KM, HL	Valve Setting Kit For Stihl 2-mix Engines	Clutch Fits FS87-130, KM90-130
4180 120 1800 £2.83	350 311 £9.43	4226 121 2700 £4.43	4180 007 1005 £0.42	4180 160 2000 £20.50
				
Shroud Fits KM90-130, FS90-130	Air Filter Fits KM56, FS40C-56C	Cap for AutoCut C5-2 Trimmer Head	Air Filter Fits FS120 - FS450	Air Filter FS240,260,360,410,460
4180 080 1600 £18.22	4144 124 2800 £2.03	4006 710 4001 £4.41	4134 141 0300 £7.31	4147 141 0300 £7.31

Nylon Line

Stihl Strimmer Line

Wear resistant and long lasting. Colour coded to help select the correct line thickness.



Part No.	Line Ø	Length	Colour	Price
0000 930 2234	1.6mm	19m	Blue	£2.72
0000 930 2335	2.0mm	15m	Green	£2.58
0000 930 2243	2.4mm	14m	Orange	£3.12
0000 930 2341	2.7mm	11m	Red	£2.58



Part No.	Line Ø	Length	Colour	Price
0000 930 2222	2.0mm	119m	Green	£11.42
0000 930 2340	2.4mm	83m	Orange	£10.65
0000 930 2343	2.7mm	65m	Red	£13.00
0000 930 2344	3.0mm	53m	Yellow	£9.72



Part No.	Line Ø	Length	Colour	Price
0000 930 2247	2.4mm	434m	Orange	£33.05
0000 930 2289	2.7mm	358m	Red	£41.88
0000 930 2543	3.0mm	280m	Yellow	£30.38
0000 930 2569	3.3mm	591m	Black	£80.40

Square Section Line



Part No.	Line Ø	Length	Colour	Price
0000 930 2613	2.4mm	420m	Orange	£34.75
0000 930 2617	2.7mm	359m	Red	£34.00
0000 930 2620	3.0mm	271m	Yellow	£31.80

Stihl HS81 Crankcase

9075 478 4159 £0.79

Muffler including Stub w/Screen
4237 140 0601 £25.34

4237 140 0600 £22.04

4237 020 2600 £59.48

9640 003 1195 £3.98

9075 478 4159 £0.79

4140 149 0602 £1.35

9075 478 3018 £0.66

4229 140 6903

£7.28

4237 140 3400 £24.86

9503 003 0214 £8.59

9463 650 0805 £0.53

4237 020 1201 £39.42

4137 034 1500 £4.89

4237 029 2300 £2.65

9075 478 4159 £0.79

9512 003 1830 £5.19

4137 034 3000 £3.67

4237 030 2002 £29.08

4237 030 0402 £112.10

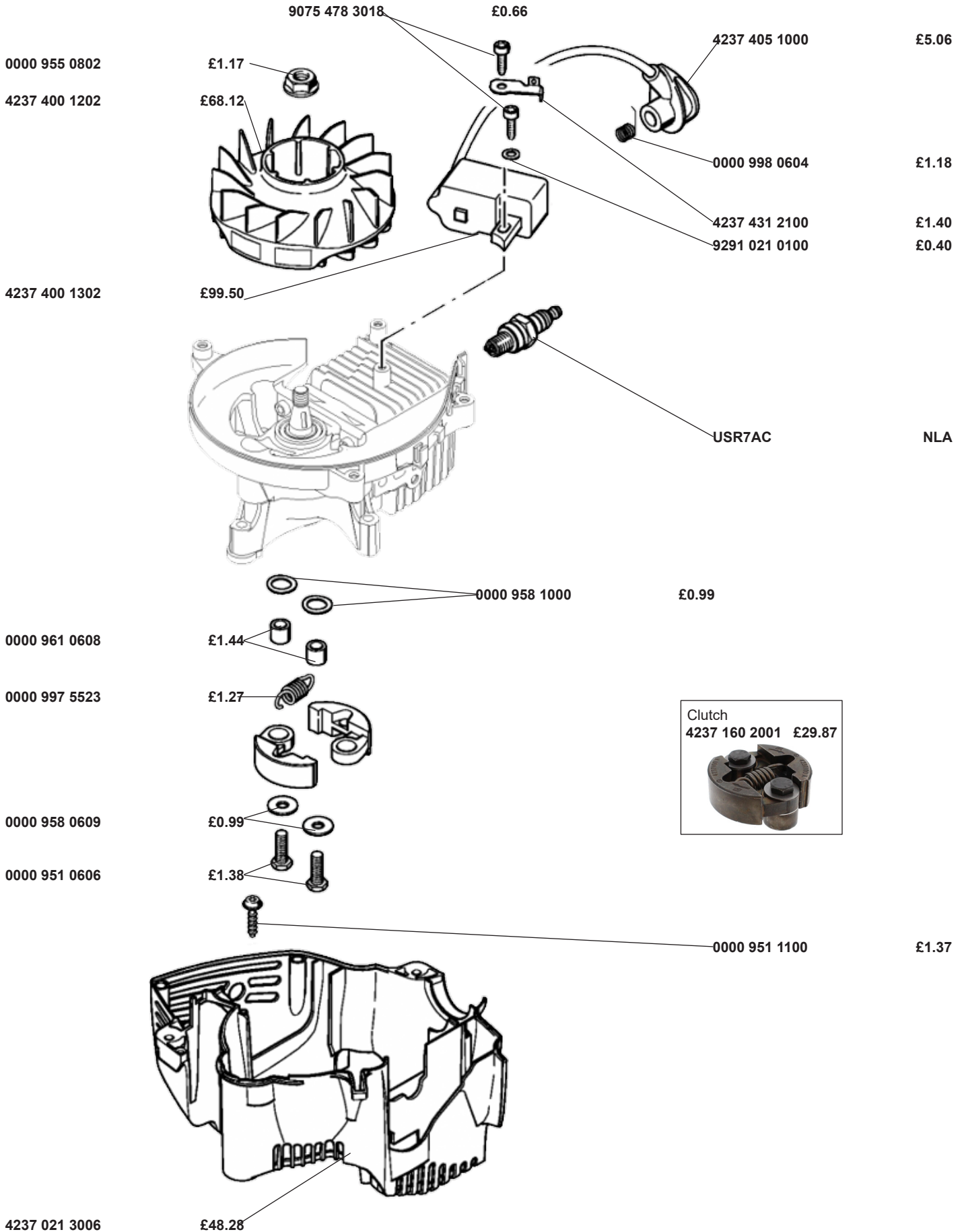
9503 003 0214 £8.59

9640 003 1195 £3.98

4237 020 2900 £54.34

Sealant HT Red
0783 830 2000 £6.76

Stihl HS81 Ignition System, Clutch



Stihl HS81 Rewind Starter / ErgoStart/Easy2Start

9074 478 4420 £0.79

0000 967 3700 £1.78

4237 080 1811 £19.16

0000 951 1100 £1.37

4237 080 2113 £44.25

9416 868 6650 £1.20

4140 195 3400 £2.99

4237 190 0600 £6.88

9074 478 4420 £0.79

0000 967 3700 £1.78

0000 951 1100 £1.37

4237 195 8200 £2.67

4237 190 5150 £1.80

4237 080 2114 £50.47

9416 868 6650 £1.20

4237 080 1812 £20.48

4237 190 0600 £6.88

4140 195 3400 £2.99

4237 195 8200 £2.67

4241 195 3501 £2.64

4237 195 2001 £1.97

0000 958 0923 £0.89

1123 195 7200 £1.86

1128 195 3500 £0.99

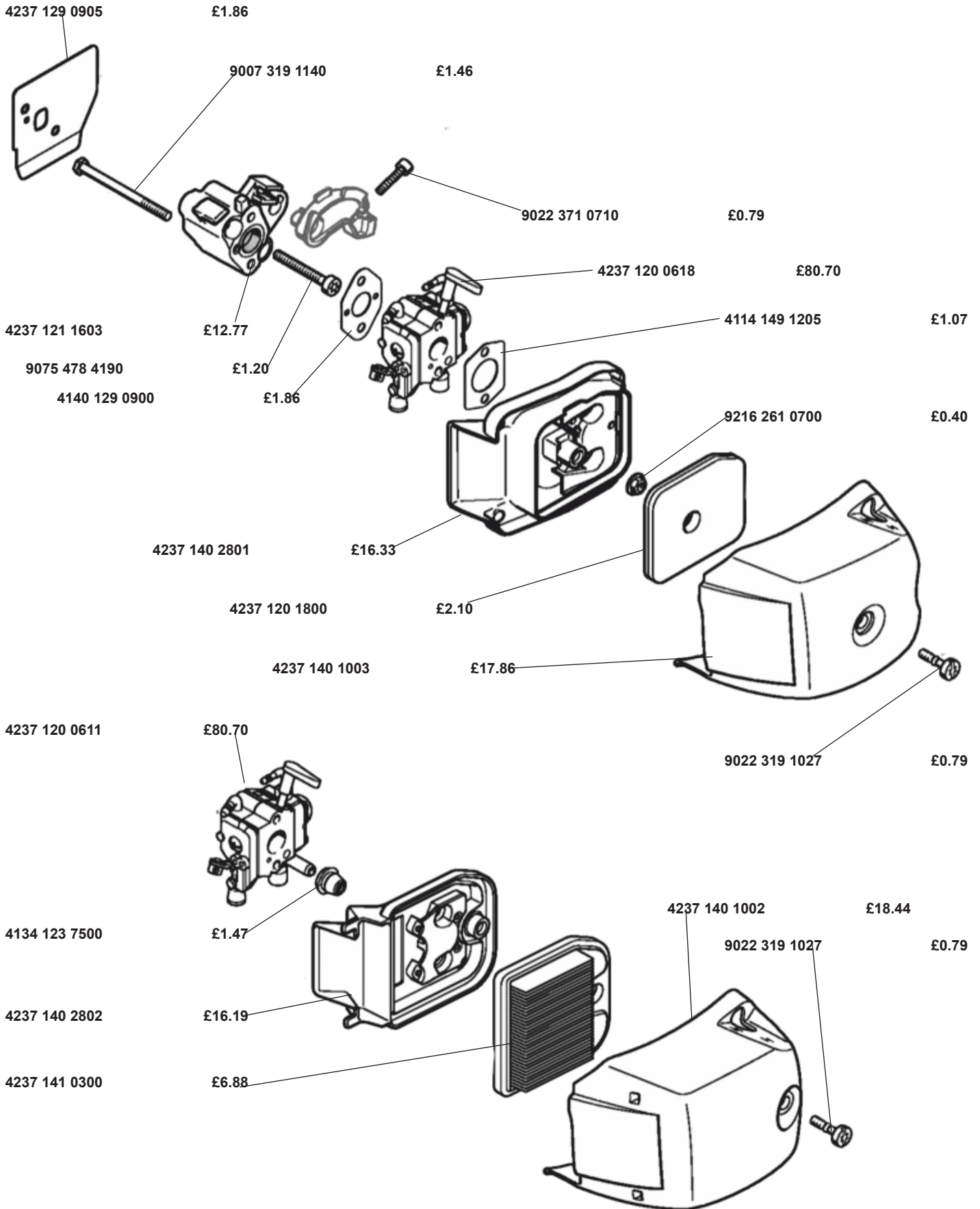
Fan Housing w/ Rewind
4237 080 2113 £44.25

Pawl Kit
4237 190 5150 £1.80

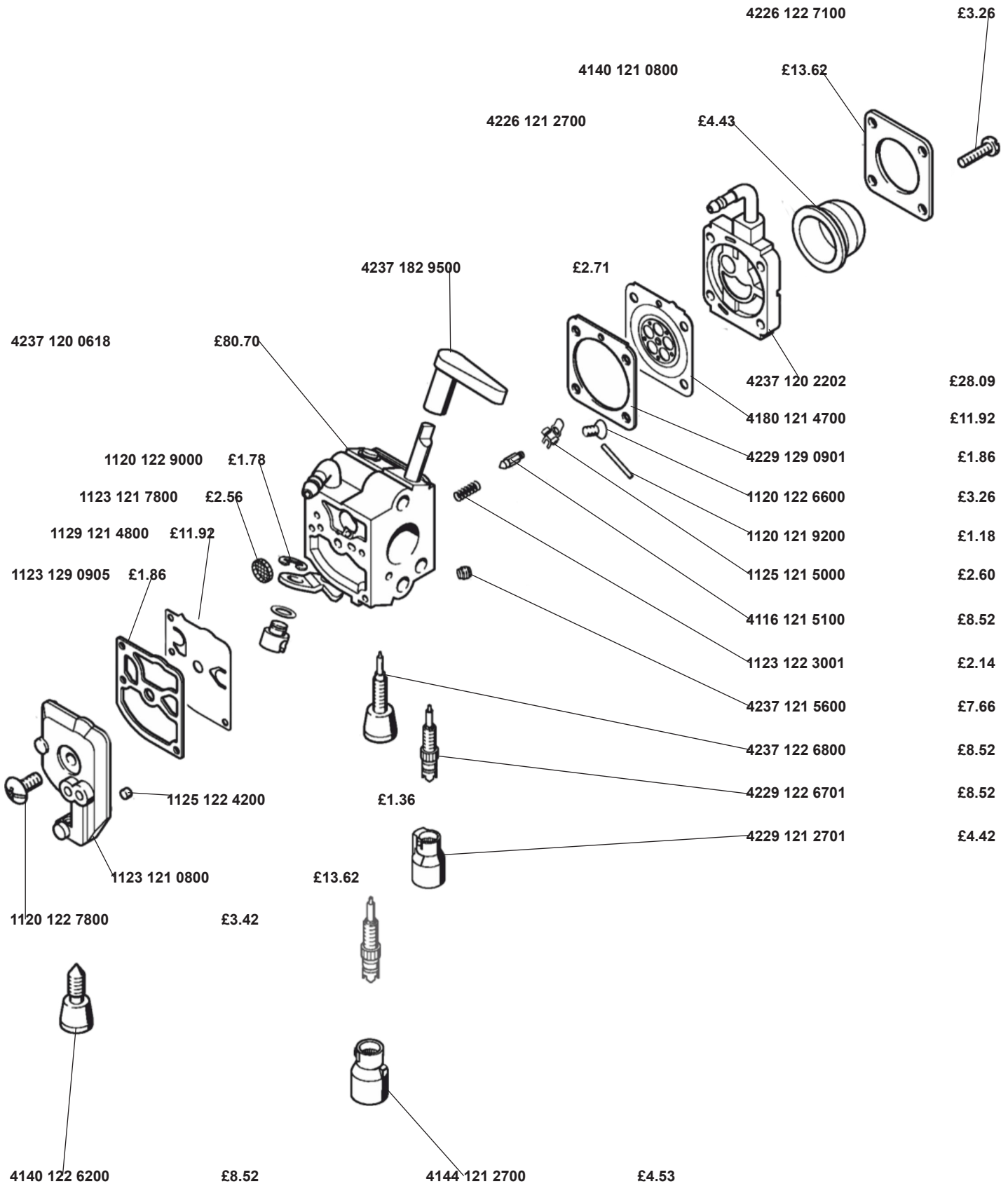
Model Plates

Stihl HS81R	4237 967 1500	£3.45
Stihl HS81T	4237 967 1501	£3.45
Stihl HS86T	4237 967 1502	£3.45
Stihl HS86R	4237 967 1503	£3.45
Stihl HS81TC	4237 967 1504	£3.45
Stihl HS81RC	4237 967 1505	£3.45

Stihl HS81 Air Filter Assembly



Stihl HS81 Carburetor C1Q-S115B



Stihl Hedgetrimmer Parts

N/G Blade Set 18" Fits HS45	N/G Blade Set 24" Fits HS45	Blade Guard 18" Fits HS45	Blade Guard 24" Fits HS45	N/G Blade Set Fits HL-KM 135 deg
350 703 £41.60	350 704 £54.00	4228 790 9200 £9.30	4228 790 9201 £9.90	350 700 £48.50
Genuine Blade Set Fits HL-KM 135 deg	Blade Guard Fits HL-KM 135 deg	Genuine Blade Set 30" HS81R, HS82R	Blade Guard 30" HS81R, HS82R	Starter Grip Fits most hedgecutters
4230 710 6053 £75.90	4230 790 9200 £8.46	4237 710 6054 £119.50	4237 790 9207 £14.43	4140 195 3400 £2.99
Air Filter Fits HS45, HL45	Air Filter HS81 / 82 / 86 / 87	Air Filter HS81 / 82 / 86 / 87	Fuel Filter HS45 / 81 / 82 / 86 / 87	Filler Cap HS81 / 82 / 86 / 87
4140 124 2800 £1.76	4237 120 1800 £2.10	4237 141 0300 £6.88	0000 350 3503 £4.47	0000 350 0532 £8.18
Cylinder & Piston 34mm HS81, HS86	Anti Vibration Spring HS81 / 86 / 82 / 87	Handle Frame HS81, HS82	Connecting Rod HS81R, HS86R	Spur Gear HS81R, HS86R
4237 020 1201 £39.42	4237 791 3101 £2.28	4237 791 4900 £25.36	4226 642 6501 £16.59	4237 640 7501 £46.62
Needle Bearing HS81 / 82 / 86 / 87	Clutch Drum HS81R / 86R / 82R / 87R	Clutch HS81 / 86 / 82 / 87	Greasing Plug Fits most hedgecutters	Stihl Gear Lubricant 80gms
9513 003 0912 £5.29	4237 160 2902 £18.76	4237 160 2000 £29.87	4226 641 6500 £2.14	350 440 £6.65

Stihl HL-KM 0-145° Angle Drive

4243 641 2602	£1.17	4243 700 2901	£11.94	9075 478 4136	£0.79
4243 640 2503	£22.64			4226 641 6500	£2.14
4243 642 8200	£2.68			9022 373 0334	£0.53
4226 641 6500	£2.14			4243 642 9002	£1.60
9022 371 1020	£0.79			9210 319 0900	£0.42
4243 640 2502	£16.78			9216 263 0700	£0.42
9503 003 9870	£9.34			4237 958 0500	£1.17
9455 621 0750	£0.53			4242 641 4900	£0.95
9456 621 2660	£0.92			0000 967 7299	£1.78
4243 640 4506	£21.78			9460 624 0320	£0.40
4243 642 9002	£1.60			4243 182 4501	£0.98
9461 620 0512	£0.40			4243 708 6201	NLA
4243 642 4601	£3.14			4243 704 0900	£1.78
9075 478 3012	£0.66				
9458 621 1421	£0.53				
4243 642 4500	£5.51				
0000 997 2020	£1.17				
0000 790 9200					
4243 640 5100					
9456 621 2000					
4243 640 1600					
Set of Fastening Parts 4243 007 1300	£14.09				
9022 373 0334	£0.53				
4243 642 9002	£1.60				
4243 642 1900	£2.15				
4243 951 9700	£12.40				
9486 648 1012	£0.53				
350 440	£6.65				
4243 710 6003 (Set)					
0000 988 8600					
4243 640 5100					
4243 640 5800					
9460 624 0320	£0.40				
4243 182 4501	£0.98				
4243 708 6201	NLA				
4243 704 0900	£1.78				
9460 624 0320	£0.40				
4243 182 4501	£0.98				
4243 708 6201	NLA				
4243 704 0900	£1.78				
9460 624 0320	£0.40				
4243 182 4501	£0.98				
4243 708 6201	NLA				
4243 704 0900	£1.78				
9460 624 0320	£0.40				
4243 182 4501	£0.98				
4243 708 6201	NLA				
4243 704 0900	£1.78				
9460 624 0320	£0.40				
4243 182 4501	£0.98				
4243 708 6201	NLA				
4243 704 0900	£1.78				
9460 624 0320	£0.40				
4243 182 4501	£0.98				
4243 708 6201	NLA				
4243 704 0900	£1.78				
9460 624 0320	£0.40				
4243 182 4501	£0.98				
4243 708 6201	NLA				
4243 704 0900	£1.78				
9460 624 0320	£0.40				
4243 182 4501	£0.98				
4243 708 6201	NLA				
4243 704 0900	£1.78				
9460 624 0320	£0.40				
4243 182 4501	£0.98				
4243 708 6201	NLA				
4243 704 0900	£1.78				
9460 624 0320	£0.40				
4243 182 4501	£0.98				
4243 708 6201	NLA				
4243 704 0900	£1.78				
9460 624 0320	£0.40				
4243 182 4501	£0.98				
4243 708 6201	NLA				
4243 704 0900	£1.78				
9460 624 0320	£0.40				
4243 182 4501	£0.98				
4243 708 6201	NLA				
4243 704 0900	£1.78				
9460 624 0320	£0.40				
4243 182 4501	£0.98				
4243 708 6201	NLA				
4243 704 0900	£1.78				
9460 624 0320	£0.40				
4243 182 4501	£0.98				
4243 708 6201	NLA				
4243 704 0900	£1.78				
9460 624 0320	£0.40				
4243 182 4501	£0.98				
4243 708 6201	NLA				
4243 704 0900	£1.78				
9460 624 0320	£0.40				
4243 182 4501	£0.98				
4243 708 6201	NLA				
4243 704 0900	£1.78				
9460 624 0320	£0.40				
4243 182 4501	£0.98				
4243 708 6201	NLA				
4243 704 0900	£1.78				
9460 624 0320	£0.40				
4243 182 4501	£0.98				
4243 708 6201	NLA				
4243 704 0900	£1.78				
9460 624 0320	£0.40				
4243 182 4501	£0.98				
4243 708 6201	NLA				
4243 704 0900	£1.78				
9460 624 0320	£0.40				
4243 182 4501	£0.98				
4243 708 6201	NLA				
4243 704 0900	£1.78				
9460 624 0320	£0.40				
4243 182 4501	£0.98				
4243 708 6201	NLA				
4243 704 0900	£1.78				
9460 624 0320	£0.40				
4243 182 4501	£0.98				
4243 708 6201	NLA				
4243 704 0900	£1.78				
9460 624 0320	£0.40				
4243 182 4501	£0.98				
4243 708 6201	NLA				
4243 704 0900	£1.78				
9460 624 0320	£0.40				
4243 182 4501	£0.98				
4243 708 6201	NLA				
4243 704 0900	£1.78				
9460 624 0320	£0.40				
4243 182 4501	£0.98				
4243 708 6201	NLA				
4243 704 0900	£1.78				
9460 624 0320	£0.40				
4243 182 4501	£0.98				
4243 708 6201	NLA				
4243 704 0900	£1.78				
9460 624 0320	£0.40				
4243 182 4501	£0.98				
4243 708 6201	NLA				
4243 704 0900	£1.78				
9460 624 0320	£0.40				
4243 182 4501	£0.98				
4243 708 6201	NLA				
4243 704 0900	£1.78				
9460 624 0320	£0.40				
4243 182 4501	£0.98				
4243 708 6201	NLA				
4243 704 0900	£1.78				
9460 624 0320	£0.40				
4243 182 4501	£0.98				
4243 708 6201	NLA				
4243 704 0900	£1.78				
9460 624 0320	£0.40				
4243 182 4501	£0.98				
4243 708 6201	NLA				
4243 704 0900	£1.78				
9460 624 0320	£0.40				
4243 182 4501	£0.98				
4243 708 6201	NLA				
4243 704 0900	£1.78				
9460 624 0320	£0.40				
4243 182 4501	£0.98				
4243 708 6201	NLA				
4243 704 0900	£1.78				
9460 624 0320	£0.40				
4243 182 4501	£0.98				
4243 708 6201	NLA				
4243 704 0900	£1.78				
9460 624 0320	£0.40				
4243 182 4501	£0.98				
4243 708 6201	NLA				
4243 704 0900	£1.78				
9460 624 0320	£0.40				
4243 182 4501	£0.98				
4243 708 6201	NLA				
4243 704 0900	£1.78				
9460 624 0320	£0.40				
4243 182 4501	£0.98				
4243 708 6201	NLA				
4243 704 0900	£1.78				
9460 624 0320	£0.40				
4243 182 4501	£0.98				
4243 708 6201	NLA				
4243 704 0900	£1.78				
9460 624 0320	£0.40				
4243 182 4501	£0.98				
4243 708 6201	NLA				
4243 704 0900	£1.78				
9460 624 0320	£0.40				
4243 182 4501	£0.98				
4243 708 6201	NLA				
4243 704 0900	£1.78				
9460 624 0320	£0.40				
4243 182 4501	£0.98				
4243 708 6201	NLA				
4243 704 0900	£1.78				
9460 624 0320	£0.40				
4243 182 4501	£0.98				
4243 708 6201	NLA				
4243 704 0900	£1.78				
9460 624 0320	£0.40				
4243 182 4501	£0.98				
4243 708 6201	NLA				
4243 704 0900	£1.78				
9460 624 0320	£0.40				
4243 182 4501	£0.98				
4243 708 6201	NLA				
4243 704 0900	£1.78				
9460 624 0320	£0.40				
4243 182 4501	£0.98				
4243 708 6201	NLA				
4243 704 0900	£1				

Stihl Leaf Blower/Vacuum Shredder Parts

Cylinder & Piston BG55, BG85, SH55, SH85	Cylinder & Piston BG56, BG86, SH56, SH86	Fuel Filler Cap BG55, BG85, SH55, SH85	Fuel Filler Cap BG56, BG86, SH56, SH86	Air Filter BG56, BG86, SH56, SH86
4140 020 1202 £39.42	4241 020 1200 £45.53	0000 350 0533 £8.18	0000 350 0527 £5.67	4241 120 1800 £2.35
Air Filter HD BG86, SH86	Air Filter BG55, BG85, SH55, SH85	Fuel Filter Fits most blowers	Spark Plug BG56, BG86, SH56, SH86	Spark Plug BG55, BG85, SH55, SH85
4241 140 4404 £8.99	4229 120 1800 £2.29	0000 350 3502 £4.48	CMR6H £3.19	BPMR7A £1.75
Shredder Blade Fits all SH models	Fan Wheel BG56, BG86, SH56, SH86	Fan Wheel BG55, BG85, SH55, SH85	Catcher Bag Fits all SH models	Vacuum Conversion Kit BG56, BG86
4229 768 0300 £5.67	4241 704 3405 £11.17	4229 704 3400 £13.49	4229 708 9702 £40.18	4241 700 2200 £77.65
Tapered Nozzle Fits all BG / SH models	Straight Nozzle Fits all BG / SH models	Curved Nozzle Fits all BG / SH models	Upper Tube BG56, BG86, SH56, SH86	Suction Tube SH56, SH86
4229 708 6301 £9.97	4229 708 6300 £9.38	4241 708 6302 £10.90	4241 760 8200 £14.66	4241 760 3501 £27.55
Elbow SH56, SH86	Upper Tube BG55, BG85, SH55, SH85	Suction Tube BG55, BG85, SH55, SH85	Elbow BG55, BG85, SH55, SH85	Star Nut BG55, BG85, SH55, SH85
4241 700 6900 £20.40	4229 760 8200 £14.18	4804 708 3500 £20.92	4229 700 6900 £19.58	4229 716 6700 £2.74

Lawn Mower Spares



Lawnmower Blades

Genuine and non genuine rotary blades available for Honda, Husqvarna, Viking and many other brands. Please see our website for the full range.



Fig.1

Fig.2

Fig.3

Fig.4

Fig.5

Fig.6

HONDA

Honda Models	Fig.	OEM No.	Length	Width	Centre Hole Ø	Side Hole Ø	Side Hole Centres	Part No.	Price
HRG415, IZY41	1	72511-VH3-000	410	79	21	10	88	72511 VH3 000* 350 641	£31.28 £18.20
HRG465, IZY46	2	72511-VH4-000	460	79	21	10	88	72511 VH4 000* 350 677	£39.67 £13.00
HRG536, HRH536 HRB536, IZY53	3	72511-VE1-652	525	88	21	10	88	72511 VE1 652* 350 623	£40.85 £9.60
HR21, HR214, HR215 HR216, HR2160 (some)	4	72511-VA2-000 72511-960-004	527	57	21	10	88	350 616	£11.74
HRB425	5	72511-VG8-010	425	79	21	10	88	350 381	£12.00
HR475, HRB475, HRB476	5	72511-VE0-740 72511-VE0-N00	475	85	21	10	88	350 626	£11.50
HR194 (after 1989) HRA1950	6	72511-VA5-840 72511-574-000	470	57	21	14.5	88	350 618	£16.37
HR194PB, HR194SE HR194SXE	4	72511-564-000	465	57	21	10	88	350 621	£11.50
HR2150, HR2160 (some) HRA2150, HRA2160	4	72511-VA2-690 72511-VB3-E40	525	53	21	14.5	88	350 656	£16.00

* Genuine Honda



Fig.1

Fig.2

Fig.3

Fig.4

Husqvarna

Husqvarna Models	Fig.	OEM No.	Length	Width	Centre Hole Ø	Side Hole Ø	Side Hole Centres	Part No.	Price
Fits many Husqvarna & McCulloch 21" Mowers	1	532 19 93-77 532 18 90-28	532	57	16	10	48	350 689	£8.32
Fits many Husqvarna & McCulloch 16" Mowers	2	531 21 16-53	400	57	16	10	48	587 15 90 10	£17.88
Husqvarna 18" Models Star Shaped Centre Hole	3	532 13 84-96	475	57	Star Shaped	-	-	350 627	£8.15
Husqvarna 21" Models Star Shaped Centre Hole	3	532 13 84-98	533	57	Star Shaped	-	-	350 652	£8.45
Husqvarna Rider Models R11, R13	4	505 54 45-01	339	50	10	8	40	350 939	£7.88
Husqvarna Rider Models R15, R18	4	504 18 82-01 544 10 28-01	388	63	10	8	40	350 940	£9.86
Husqvarna Rider Models R15, R18, Combi 112 Deck	4	504 18 81-01 504 18 82-01	420	63	10	8	40	350 941	£10.35

* Genuine Husqvarna

Honda Pro Lawn Mower Parts

				
Transmission Assy HRD536 / HRH536 QXE	Clutch Spring HRD536 / HRH536 QXE	Clutch Arm HRD536 / HRH536 QXE	Clutch Cable 50" HRD536 / HRH536 QXE	Throttle Cable HRD536 / HRH536 QXE
20001 VG0 A51 £412.80	54411 VB5 A00 £9.93	23436 VA5 701 £11.19	06541 VB5 A01 £28.06	17910 VA3 003 £31.37
				
RotoStop Cable HRD536 / HRH536	Rear Roller (300mm) HRD536 / HRH536 QXE	Rear Roller (165mm) HRD536 / HRH536 QXE	Rear Roller Bearing HRD536 / HRH536 QXE	Transmission Bearing HRD536 / HRH536 QXE
54530 VA3 J01 £30.40	42780 VB3 B51 £156.20	42790 VB3 B51 £125.60	96150 6004010 £21.25	41103 935 003 £13.02
				
Genuine Blade HRD536 / HRH536	Non Genuine Blade HRD536 / HRH536	Blade Bolt M10x20 HRD536 / HRH536	Blade Bolt M10x25 HRD536 / HRH536	RotoStop Friction Plate HRD536 / HRH536
72511 VE1 652 £40.85	350 623 £9.60	350 683 £1.20	350 682 £1.29	352 679 £24.54
				
Non Gen Blade (lower) HRX537 / HRX217	Non Gen Blade (upper) HRX537 / HRX217	Air Filter (earlier) HRD536 / HRH536 K1/K2	Air Filter (later) HRD536 / HRH536 K3/K4	Spark Plug HRD536 / HRH536
350 378 £14.00	350 377 £12.50	LA1578 £7.30	LA141 £6.90	BPR6ES £1.60
				
Recoil Assy (early) HRD536 / HRH536 K1/K2	N/G Recoil Assy (later) HRD536 / HRH536 K3/K4	Wing Nut HRD536	Fuel Cap GCV, GXV Engines	Oil Filler Cap HRD536 / HRH536
28400 ZG9 803 £73.00	350 640 £12.50	352 682 £3.15	17620 ZL8 023 £9.20	352 681 £2.95

Index

1		A		Bearing, JCB	I-28
1.1/4" Hex Breaker Steels	G-1	A Section V Belts	K-17	Bearing, Stihl TS350	B-1
100T Mixer Spares	A-7	ABUS Lock Spray	K-7	Bearings, 2 Rubber Seals	K-18
100XT Mixer Spares	A-4	Adaptors, Hydraulic	G-27	Bearings, Open Faced	K-18
1200E Belle Promix	A-11	Air Filer, Partner K650	C-1	Beaver Pack Spares	G-28
12v Fuel Pump	I-30	Air Filter Makita DPC6200/6400	D-1	Belle Floor Grinder Spares	H-31
12v Push Button Switch	K-8	Air Filter Makita DPC6410/6420	D-2	Belle Hand Float	H-6
135° Hedge Trimmer Parts	L-17	Air Filter Makita DPC6430	D-3	Belle Midi Pack Spares	G-29
145° Hedge Trimmer Parts	L-18	Air Filter Oil	J-26	Belle Minimix 130 Spares	A-9
1600E Belle Promix	A-11	Air Filter, Bomag	J-6	Belle Minimix 150 Spares	A-1
16D (Thor) Breaker Spares	G-8	Air Filter, Bomag Rammer	H-12	Belle Premier 100XT Spares	A-4
1B Needle Gun Spares	G-16	Air Filter, Cobra TT	G-23	Belle Promix Spares	A-11
1B20 - 1B40 Spares	F-19	Air Filter, Honda GX100	E-11	Belle Tubmix Spares	A-12
		Air Filter, Honda GX120	E-21	Belle Vibrating Plate Spares	H-29
2		Air Filter, Honda GX160	E-30	Bellows, Bomage BT60/4	H-12
2-Stroke Mixing Bottle	L-2	Air Filter, Honda GX200	E-30	Bellows, Wacker Rammer	H-10
2-Stroke Oil, Husqvarna	C-7	Air Filter, Honda GX340	E-48	Belt Dressing Spray	K-17
2-Stroke Oil, Stihl	B-20, L-8	Air Filter, Honda HRD536	L-21	Belt, Benford CT	A-10
2-Stroke Test Kit	B-23	Air Filter, Husqvarna K750	C-12	Belt, Bomag BW55E	I-19
20mm Reduction Ring	L-8	Air Filter, Husqvarna K760	C-13	Belt, Clipper C99	H-3
234 (Thor) Breaker Spares	G-10	Air Filter, Makita EK6100	D-12	Belt, Clipper CS451	H-4
24 (Thor) Breaker Spares	G-9	Air Filter, Stihl Chainsaw	L-4	Belt, JCB	I-29
2B Needle Gun Spares	G-16	Air Filter, Stihl Chainsaw	L-4	Belt, Makita EK6100	D-12
		Air Filter, Stihl Hedge Trimmer	L-16	Belt, Minimix 130	A-9
3		Air Filter, Stihl Leaf Blower	L-19	Belt, Minimix 150	A-1
3B Needle Gun Spares	G-17	Air Filter, Stihl Trimmer	L-9	Belt, Partner K650	C-1
3CX Bucket Bush	I-24	Air Filter, Stihl TS350	B-1	Belt, Premier XT	A-4
3CX Bucket Pin	I-22	Air Filter, Stihl TS400	B-6	Belt, Stihl TS350	B-1
3CX Starter Motor	I-31	Air Filter, Stihl TS410	B-17	Belt, Stihl TS400	B-8
		Air Filter, Wacker Rammer	H-10	Belt, Stihl TS410	B-16
4		Air Hose Assembly 50ft	G-22	Belt, Wacker Plate	H-23
4-Stroke Oil, Honda	E-4	Air Hose Fittings	G-21	Belt, Winget 100T	A-8
40M Gearbox Spares	I-1	Air Pokers	H-8	Belts, V Section	K-17
4B Needle Gun Spares	G-17	Air Taps	G-22	Benford Brake Cable	I-14
		Alternator, Mini Digger	I-30	Benford CT Mixer Spares	A-10
5		Angled Brad Nails	H-46	Benford Filters	J-2
580 (BobCat) Steels	I-34	Anti Freeze Oil, Breaker	G-22	Benford MBR71 Roller Spares	I-17
		Anti Spill Fuel Nozzle	L-2	Benford Roller Spares	I-16
7		Arrowhead S30 Point	I-34	Benford Service Kits	I-12
7/8" Hex Breaker Steels	G-1	Assorted Key Rings	K-7	Bernard Filters	J-3
		Atlas Copco Cobra TT	G-23	BesserTrim Trimmer Head	L-8
8		Atlas Copco Filters	J-1	BG56 / BG86 Blower Spares	L-19
8" Clutch Kit, Dumper	I-2	AutoCut Heads	L-6	Bib-n-Brace Chainsaw Trousers	L-3
8008 (JCB) Starter Motor	I-31			Big Blue Hand Float	H-7
		B		Blade Guard, Husqvarna K750	C-3
9		Baggins, Air Breaker	G-22	Blade Guard, Husqvarna K760	C-4
9.5" Dumper Clutch Kit	I-1	Ball Bearings	K-18	Blade Guard, Stihl Brushcutter	L-7
9" Clutch Kit, Dumper	I-2	Ball Joint, JCB	I-29	Blade Guard, Stihl TS400	B-5
		Ball Joints	I-3	Blade Guard, Stihl TS410	B-19
		Band Wrench, Filter	J-7	Blade Guard, Trimmer	L-8
		Battery Isolator Switch	K-8	Blade, Turf Cutter	H-32
		Battery, Paslode	H-34	Blades, BesserTrim	L-8
		Bearing, Clipper C99	H-3	Blades, Brushcutter	L-7
		Bearing, Clipper CS451	H-4	Blades, Lawn Mower	L-20
		Bearing, Dumper Clutch	I-1	Blades, Polycut	L-8
				Blades, Power Float	H-7

Index

Blades, Stihl Hedge Trimmer	L-16	C	Chassis Spares, Dumper	I-5
Blow Lance, Compressed Air	G-22		Chisel, Heavy Breaker	G-1
Blower Spares, Stihl	L-19	C500 Stump Grinder Spares	Clipclip Pliers	B-23
Bobbin Mounts	K-13	C51 (Clipper) Spares	Class 1 Chainsaw Trousers	L-3
BobCat 580 Steels	I-34	C71 (Clipper) Spares	Claw Fittings (Air)	G-21
BobCat Bucket Pins	I-22	C8 (Camon) Spares	Clay Spade, Heavy Breaker	G-1
BobCat Filters	J-3	C94 (Clipper) Spares	Cleaning Kit, Paslode	H-43
Bolt, Polycut	L-8	C99 (Clipper) Spares	Clear Face Shield	L-8
Bomag BT60/4 Rammer	H-12	Cable, Dumper Handbrake	Clevis & Pin (Long Type)	I-5
Bomag BW55E Spares	I-19	Cables, Control, Universal	Clipper C51 Spares	H-1
Bomag Filters	J-6	Camon C500 Spares	Clipper C71 Spares	H-2
Bomag Roller Spares	I-16	Camon C8 Rotovator Spares	Clipper C94 Spares	H-5
Bosch Breaker Steels	G-2	Cap, Exhaust	Clipper C99 Spares	H-3
Bosch Spark Plugs	K-11	Cap, JCB	Clipper CM501 Bench Saw	H-5
Bosch Switch	K-9	Carb Cleaner	Clipper CS1 Spares	H-5
Bostitch GFN1664K Brad Nails	H-46	Carb Pressure Tester	Clipper CS451 Spares	H-4
Bottom Track Rollers	I-27	Carb Tool, Husqvarna K750	Clipper Floor Saw Spares	H-1
Bowden Cable	K-15	Carb Tools	Clipper MTA36 Spares	H-6
BPMR7A Spark Plug	K-10	Carb, Bomag Rammer	Clutch Cable, Bomag BW55E	I-19
BPR6ES Spark Plug	K-10	Carb, Cobra TT	Clutch Cable, Dumper	I-14
BR2LM Spark Plug	K-10	Carb, Honda GX100	Clutch Cables, Universal	K-15
Brad Nails, Second Fix	H-46	Carb, Honda GX120	Clutch Fork, Newage Gearbox	I-1
Brake Disc, Dumper	I-13	Carb, Honda GX160	Clutch Kit, Dumper	I-2
Brake Pad, Dumper	I-13	Carb, Honda GX200	Clutch Lever, Universal	K-15
Brake Spares, Dumper	I-13	Carb, Honda GX240	Clutch Spring, Honda HRD536	L-21
Brass Discs	K-7	Carb, Honda GX270	Clutch, Belle Vibrating Plate	H-29
Breaker Air Hose	G-22	Carb, Honda GX340	Clutch, Benford MBR71	I-17
Breaker Air Line Oil	G-22	Carb, Honda GXH50	Clutch, Camon C8	H-32
Breaker Rig Pin	I-23	Carb, Husqvarna K750	Clutch, Centrifugal	F-20
Breaker Spares	G-1	Carb, Husqvarna K760	Clutch, Honda GX100	E-14
Breaker Steels	G-1	Carb, Makita EK6100	Clutch, Husqvarna K750/K760	C-5
Briggs & Stratton Filters	J-4	Carb, Stihl TS400	Clutch, Stihl HS81	L-16
Brush Knives, Stihl	L-7	Carb, Stihl TS410	Clutch, Stihl Trimmer	L-9
Brush, Belle Promix	A-11	Carb, Wacker Rammer	Clutch, Stihl TS350	B-2
Brushcutter (Stihl) Parts	L-9	Cardan Joint Kits	Clutch, Stihl TS410	B-16
Brushcutter Blades	L-7	Case Bucket Pins	Clutch, Wacker Rammer	H-11
Brushcutter Line	L-10	Case Digger Buckets	CM13 Plate Spares	H-29
BS50-2 (Wacker) Spares	H-13	CAT Bucket Pins	CM501 (Clipper) Spares	H-5
BS60-2 (Wacker) Spares	H-18	CAT Digger Buckets	CMR6H Spark Plug	K-10
BSP Air Fittings	G-21	CAT Rubber Tracks	Cobra TT Spares	G-23
BSP Hydraulic Fittings	G-27	Cement Mixer Spares	Coil, Cobra TT	G-24
BT60/4 (Bomag) Rammer	H-12	Centre Pivot Kits, Dumper	Coil, Husqvarna K750 / K760	C-14
Bucket Links, Excavator	I-26	Centrifugal Clutch	Coil, Stihl TS350	B-2
Bucket Pins	I-22	Chain & Sprocket Kits, Stihl	Coil, Stihl TS400	B-9
Bucket Shims	I-25	Chain Link Splitter	Coil, Stihl TS410	B-15
Bucket Teeth	I-21	Chain Loops, Chainsaw	Coil, Wacker Rammer	H-12
Buffer, Rubber Mounts	K-13	Chain Oil, Chainsaw	Compair Filters	J-7
Bulb, Generac VB9	H-51	Chain, Benford CT	Compressed Air Fittings	G-21
Bulb, Generac VT1	H-48	Chain, Winget 100T	Compressed Air Hose	G-22
Bulb, Generac VT2	H-50	Chainsaw Chain Loops	Concrete Poker Spares	H-8
Bulk Trimmer Line	L-10	Chainsaw Files	Concrete Saw Spares	B-1
Bull Float Spares	H-6	Chainsaw Safety Helmet	Concrete Trowel Blades	H-7
Bush Fitting Tool	B-23	Chainsaw Safety Kits	Connecting Rod, Stihl HS81	L-16
Bushes, Digger	I-24	Chainsaw Spares, Stihl	Connector, Fuel 6mm	J-32
BW55E (Bomag) Spares	I-19	Champion Spark Plugs	Control Cables, Universal	K-15
		Charger, Battery, Paslode	Cord, Recoil Starter	K-16

Index

Cotter Pin & Chain	K-20	Doosan Filters	J-8	Filing Guide, Chainsaw	L-2
Coupling, Concrete Poker	H-8	Double Strimmer Harness	L-8	Filing Kits, Chainsaw	L-2
Couplings, Hydraulic	G-27	Dowty Washers	G-27	Filter Gauze, Q-Coupling	G-21
Cover, Seat	I-9	DPC6200/6400 Spares	D-1	Filter Oil	J-26
CP1230 Breaker Spares	G-5	DPC6410/6420 Spares	D-2	Filter Wrench	J-7
CP1230 SVR Breaker Spares	G-6	DPC6430 Spares	D-3	Filter, Benford CT	A-10
CP222 Breaker Spares	G-4	DPU2540 Plate Spares	H-23	Filter, JCB Beaver	G-28
CP6 Scabbler Spares	G-15	Drive Rubber, Roller	I-16	Filters, Atlas Copco	J-1
CP9 Breaker Spares	G-3	Drive Units, Poker	H-8	Filters, Benford	J-2
CP9 Breaker Steels	G-2	Drum Mount, MBR71 Roller	I-17	Filters, Bernard	J-3
CR5HSB Spark Plug	K-10	Drum Rubber, Roller	I-16	Filters, BobCat	J-3
Crankcase, Husqvarna K750/ K760	C-5	Drum, Benford CT	A-10	Filters, Bomag	J-6
Crankcase, Stihl TS400	B-3	Drum, Minimix 130	A-9	Filters, Briggs & Stratton	J-4
Crankcase, Stihl TS410	B-14	Drum, Minimix 150	A-1	Filters, Compair	J-7
CS1 (Clipper) Spares	H-5	Drum, Premier XT	A-6	Filters, Doosan	J-8
CS451 (Clipper) Spares	H-4	Drum, Winget 100T	A-7	Filters, Genset	J-9
Cylinder, Cobra TT	G-24	Dumper Brake Spares	I-13	Filters, Hatz	J-10
Cylinder, Husqvarna K750 / K760	C-9	Dumper Electrics	I-15	Filters, Hitachi	J-11
Cylinder, Makita EK6100	D-12	Dumper Seats	I-6	Filters, Honda	J-12
Cylinder, Partner K650	C-1	Dumper Service Kits	I-12	Filters, Ingersoll Rand	J-13
Cylinder, Stihl HS81	L-16	Dumper Spares	I-1	Filters, Inline Fuel	J-31
Cylinder, Stihl Leaf Blower	L-19	Dust Suppression Bottle	B-22	Filters, JCB	J-16
Cylinder, Stihl TS350	B-1	Dynapac CM13 Plate Spares	H-29	Filters, John Deere	J-15
Cylinder, Stihl TS400	B-3			Filters, Kohler	J-18
Cylinder, Stihl TS410	B-13	E		Filters, Kubota	J-19
Cylinder, Wacker BS50-2	H-16	Economy Starter Rope	K-16	Filters, Lister Petter	J-20
Cylinder, Wacker Rammer	H-10	EK6100 Spares	D-12	Filters, Lombardini	J-22
Cylinders, Stihl Chainsaw	L-4	Electric Motor, Minimix 150	A-1	Filters, Mitsubishi	J-23
		Electrical Cleaner Spray	K-9	Filters, Plant	J-1
		Elephant's Foot, Breaker	G-25	Filters, Robin	J-24
		Engine Mount, Dumper	I-5	Filters, Takeuchi	J-25
		Engine Oil, Honda	E-4	Filters, Terex	J-2
		Engine Oil, Wacker	H-27	Filters, Thwaites	J-27
		Engines, Honda	F-20	Filters, Wacker	J-28
		Equipment Labels	K-22	Filters, Yanmar	J-29
		Errut Floor Grinder Spares	H-31	Firmahold Brad Nails	H-46
		Excavator Buckets	I-20	Firmahold First Fix Nails	H-44
		Excavator Bushes	I-24	Firmahold Fuel Cells	H-34
		Excavator Ignition Keys	I-32	First Fix Nails	H-44
		Excavator Tracks	I-27	Fittings, Compressed Air	G-21
		Exciter Unit, Belle Plate	H-29	Fittings, Hydraulic	G-27
		Exhaust Caps	K-21	Fixing Kit Brushcutter	L-7
		Exhaust, Husqvarna K750 / K760	C-9	FL22 Beaker Steels	G-1
		Exhaust, Stihl TS400	B-3	FL22 Breaker Spares	G-7
		Exhaust, Stihl TS410	B-13	Flanged Rubber Mounts	K-14
				Flat Faced Couplings	G-27
		F		Flat File, Chainsaw	L-2
		Face Shield, Trimmer	L-8	Flicker Bar, Tyrol	A-12
		Facet Fuel Pump	I-30	Float Pans	H-7
		Feet, Trench Rammer	H-9	Floor Planer Spares	H-30
		File Handle, Chainsaw	L-2	Floor Scraper Tool	G-2
		Files, Chainsaw	L-2	Flywheel Puller	B-23
		Filing Gauge, Chainsaw	L-2	Foot, Tamping, Breaker	G-25
				Foot, Trench Rammer	H-9
				Forward/Reverse Lever	I-15
				Four Stroke Oil, Honda	E-4

Index

FR200 Scarifier Spares	H-30	GX390 Spares	E-42	Honda Lawn Mower Blades	L-20
Fuel Cap, Dumper	I-13	GXH50 Spares	E-1	Honda Switch	K-9
Fuel Cell, Paslode	H-34			Honda Trimmer Heads	L-6
Fuel Filter, Bomag	J-6	H		Hooke's Joint Kits	I-5
Fuel Filters, Inline	J-31			Horn, Dumper	I-15
Fuel Oil Cannister	L-2	H-Links, Excavator	I-26	Hose Adaptors, Hydraulic	G-27
Fuel Pipe	J-32	H.T. Lead	K-11	Hose Assy, Compressed Air	G-22
Fuel Pump, Digger	I-30	Hand Float Spares	H-6	Hose Assy, Hydraulic	G-27
Fuel Pump, Dumper	I-15	Handbrake Cable, Dumper	I-14	Hose Joiners	G-21
Fuel Pump, JCB	I-29	Handbrake Pad, Dumper	I-13	HRD536 Pro Mower Spares	L-21
Fuel Pump, MBR71 Roller	I-18	Handbrake, Dumper	I-13	HRH536 Pro Mower Spares	L-21
Fuel Pump, Yanmar L100	F-16	Handle, Cobra TT	G-26	HRX537 Pro Mower Spares	L-21
Fuel Pump, Yanmar L48	F-7	Handle, Husqvarna K750 / K760	C-8	HS81 Cylinder & Piston	L-16
Fuel Solenoid, Excavator	I-30			HS81 Parts	L-11
Fuel Tank Caps	K-19	Handle, Minimix 130	A-9	Husqvarna Air Filter Oil	J-26
Fuel Tank, Cobra TT	G-26	Handle, Minimix 150	A-1	Husqvarna Chainsaw Helmet	L-3
Fuel Tank, Husqvarna K750	C-6	Handle, Premier XT	A-4	Husqvarna Guide Bars	L-1
Fuel Tank, Husqvarna K760	C-7	Handle, Recoil Starter	K-16	Husqvarna K1250 Spares	C-18
Fuel Tank, Stihl TS410	B-18	Handle, Stihl TS410	B-16	Husqvarna K750 / K760 Spares	C-3
Fuel Taps, Universal	J-32	Handle, Winget 100T	A-7	Husqvarna K950 Spares	C-17
		Hanix Bucket Pins	I-22	Husqvarna Mower Blades	L-20
G		Hardy Spicer Joint Kits	I-5	Husqvarna Trimmer Heads	L-6
		Harness, Strimmer	L-8	Hydraulic Cap, Dumper	I-13
Gas Struts, Dampers	K-21	Hatz 1B20 - 1B40 Spares	F-19	Hydraulic Coupling, JCB	I-28
Gas, Paslode Nail Gun	H-34	Hatz Filters	J-10	Hydraulic Hose Assemblies	G-27
Gasket, Liquid, Honda	E-2	Hatz Switch	K-9	Hydraulic Oil	G-27
Gate Valves	G-22	Headlamp, JCB	I-31	Hydraulic Tank Caps	K-19
Gav 5 Breaker Steels	G-1	Headlight, JCB	I-29		
Gear Lever, Newage Gearbox	I-1	Heavy Breaker Steels	G-1	I	
Gear Lubricant, Stihl	L-8	Hedge Trimmer (Stihl) Parts	L-16		
Gear, HL-KM Cutting Head	L-17	Helicoils, Spark Plug	K-11	Ignition Keys, Digger	I-32
Gearbox Oil	A-3	Helmet, Chainsaw Safety	L-3	Ignition Switch, Dumper	I-15
Gearbox Spares, Newage	I-1	Hi-Vis Seat Belt	I-5	Ignition Switches	K-9
Gearbox, 100XT	A-6	High Tension Lead	K-11	Ignition Switches, Excavator	I-32
Gearbox, Minimix 150	A-1	Hilti Breaker Steels	G-2	Ignition Tester	B-23, K-11
Generac Tower Light Spares	H-48	Hinges, Dumper	I-5		
Genset Filters	J-9	Hitachi Bucket Pins	I-22	Ignition, Stihl TS410	B-15
Gloves, Chainsaw Safety	L-3	Hitachi Filters	J-11	IM350, IM350+ Nails	H-44
Glow Plugs, NGK	K-12	Hitachi NR90GC2 Nails	H-44	IM350+ (Paslode) Spares	H-39
Grading Buckets	I-20	Hitachi NT65GS Brad Nails	H-46	IM360Ci (Paslode) Spares	H-41
Grease, Stihl Gear Lube	L-8	HL-KM Cutting Head Parts	L-17	IM65 (Paslode) Spares	H-35
Grease, Stihl Hedge Trimmer	L-16	HM25 Breaker	G-28	IM65 Brad Nails	H-46
Grease, Wacker	H-27	Honda 4-Stroke Oil	E-4	IM65a (Paslode) Spares	H-37
Green Beacon Kits	I-10	Honda Brushcutter Blades	L-7	IM65a Brad Nails	H-47
Grinding Stones, Floor	H-31	Honda Filters	J-12	Ingersoll Rand Filters	J-13
Guard, Hedge Trimmer Blade	L-16	Honda GHX50 Spares	E-1	Injector Pump, Yanmar L48	F-7
Guard, Trimmer, Universal	L-8	Honda GX Engines	F-20	Injector, MBR71 Roller	I-18
Guide Bars, Chainsaw	L-1	Honda GX100 Spares	E-8	Injector, Yanmar L-Series	F-7
GX Series (Honda) Engines	F-20	Honda GX120 Spares	E-15	Injector, Yanmar L100	F-16
GX100 Spares	E-8	Honda GX160 Spares	E-24	Inline Fuel Filters	J-31
GX120 Spares	E-15	Honda GX200 Spares	E-24	Inline Fuel Pump, Digger	I-30
GX160 Spares	E-24	Honda GX240 Spares	E-33	Inline Fuel Taps	J-32
GX200 Spares	E-24	Honda GX270 Spares	E-33	Inline Lubricator, Air Line	G-22
GX240 Spares	E-33	Honda GX340 Spares	E-42	Isolator Keys/Switches	K-8
GX270 Spares	E-33	Honda GX390 Spares	E-42	Isuzu Stop Solenoid	I-30
GX340 Spares	E-42	Honda Key	K-5	ITL Axle Seal	I-13

Index

ITL Torque Converter Solenoid	I-15	L48 Spares	F-1	Mixer Spares, Belle	A-1
		Labels, Machine	K-22	Mixer Spares, Benford	A-10
J		Lamp Head, Generac VB9	H-51	Mixer Spares, Winget	A-7
Jason Needle Gun Spares	G-16	Lamp Head, Generac VT1	H-48	Mixer Wheels	A-10
JCB Beaver Spares	G-28	Lamp Head, Generac VT2	H-50	Mixing Paddles, Belle	A-11
JCB Bucket Pins	I-22	Lamp, JCB	I-29	Montabert SC08 Steels	I-34
JCB Digger Buckets	I-20	Lawn Mower Blades	L-20	Montabert SC12 Steels	I-34
JCB Door Handle	I-23	Leaf Blower Spares, Stihl	L-19	Motor, Minimix 130	A-9
JCB Filters	J-16	LED Light, JCB	I-29	Motor, Minimix 150	A-1
JCB Ignition Switch	I-32	LED Seat Belt Warning Kits	I-10	Mount, Wacker Plate	H-23
JCB Isolator Switch	K-8	LED Work Lamp, Excavator	I-31	Mounts, Vibration	K-13
JCB Pin & Bush Kits	I-26	Lever Ball Valves	G-22	Mower Blades	L-20
JCB Rubber Tracks	I-27	Levers, Throttle	K-15	MTA36 (Clipper) Spares	H-6
JCB Service Kits	I-33	Lift Pump, Dumper	I-15		
JCB Spares	I-28	Light Cluster, JCB	I-29	N	
JCB Stop Solenoid	I-30	Lighting Tower Spares	H-48		
John Deere Filters	J-15	Linch Pins	I-25, K-20	Nail Gun Spares, Paslode	H-34
		Linklight (Generac) Spares	H-52	Nails, First Fix	H-44
K		Liquid Gasket, Honda	E-2	Newage Gearbox Spares	I-1
K008 Alternator	I-30	Lister LT1 Starting Handle	A-10	NGK Spark Plugs	K-10
K008 Starter Motor	I-31	Lister Petter Filters	J-20	Nipple, Fuel 6mm	J-32
K1250 Spares	C-18	Lock Spray	K-7	Nipples, Solderless	K-15
K2 Dumper/Digger Seat	I-6	Lockable Tank Caps	K-19	Nissan Bucket Pins	I-23
K650 Spares	C-1	Lombardini Filters	J-22	Non Return Valve, Fuel	J-32
K750 / K760 Spares	C-3	Loncin Engines	F-20	Norton Clipper Spares	H-1
K950 Spares	C-17	LT1 Starting Handle	A-10	NTN Bearings	K-18
Kango Breaker Steels	G-1	Lubricator, Air Line	G-22	Nylon Bushes, Digger	I-24
Key Fobs	K-7	Lucas Key	K-3	Nylon Line Heads	L-6
Key, Toolbox	K-7	Lucas Switch	I-32, K-9	Nylon Trimmer Line	L-10
Keyrings	K-7	Lynch Pins	I-25, K-20		
Keys, Isolator	K-8	M		O	
Keys, Plant	K-1	Machine Labels	K-22	Oil Filter Wrench	J-7
Kilfrost Oil	G-22	Major (Clipper) Bench Saw	H-5	Oil Filter, Bomag	J-6
Knob, JCB	I-29	Makita DPC6200/6400 Spares	D-1	Oil Guard 2-Stroke Oil	C-7
Kohler Filters	J-18	Makita DPC6410/6420 Spares	D-2	Oil, 2-Stroke, Stihl	B-20
Komatsu Ignition Switch	I-32	Makita DPC6430 Spares	D-3	Oil, Hydraulic	G-27
Komatsu Switch	K-9	Makita EK6100 Spares	D-12	Oil, Impact, Cobra TT	G-26
Kombi (Stihl) Parts	L-9	Makita GN900S Nails	H-44	Orange Seat Belt	I-5
Kubota Bucket Pins	I-22	Marles Steering Box Spares	I-2	Oregon Starter Rope	K-16
Kubota Digger Buckets	I-20	Master Cylinder Seal Kit	I-14		
Kubota Filters	J-19	Master Key	K-1	P	
Kubota Fuel Pump	I-30	MBR71 Roller Spares	I-17	Pacman Carb Tool	B-23
Kubota Ignition Switch	I-32	Mechanical Pokers	H-8	Pad, Tamping, Breaker	G-25
Kubota Pin & Bush Kits	I-26	Mesh Face Shield	L-8	Paddle Mixer Spares	A-11
Kubota Rubber Tracks	I-27	Metal Brushcutter Blades	L-7	Paint Mixer, Belle	A-11
Kubota Service Kits	I-33	Midi 20 (Belle) Spares	G-29	Pans, Power Float	H-7
Kubota Starter Motor	I-31	Mineral Brake Pipe	I-14	Partner K650 Spares	C-1
Kubota Stop Solenoid	I-30	Mini Digger Buckets	I-20	Paslode Brad Nails	H-46
Kubota Switch	K-9	Minimix 130 Spares	A-9	Paslode First Fix Nails	H-44
KX36-3 Alternator	I-30	Minimix 150 Spares (after 1999)	A-1	Paslode IM350+ Spares	H-39
		Minimix 150 Spares (before 1999)	A-3	Paslode IM360Ci Spares	H-41
L		Mirror, JCB	I-29	Paslode IM65 Spares	H-35
L100 Spares	F-10	Mitsubishi Filters	J-23	Paslode IM65a Spares	H-37
				Paslode Nail Gun Spares	H-34

Index

PCLX Vibrating Plate Spares	H-29	Pulley, Clipper CS451	H-4	Roller, Honda HRD536	L-21
PCX Vibrating Plate Spares	H-29	Puncture Sealant 25 litre	I-12	Rope, Recoil Starter	K-16
Pecker Pin	I-23	Push Button Switch, 12v	K-8	ROPS Safety Pins	I-12
Pel Job Digger Buckets	I-21			Rotary Blades, Lawn Mower	L-20
PelJob Bucket Pins	I-23	Q		Rotovator Clips	K-20
Perkins Switch	K-9	Q-Couplings (Air)	G-21	Rotovator Spares, Camon	H-32
Petrol Pipe	J-32	Quick Hitch, Safety Catch	I-23	Round Files, Chainsaw	L-2
Petter Filters	J-20			Round Trimmer Line	L-10
PH1 Service Kit	I-12	R		Rubber Digger Tracks	I-27
PH2 Service Kit	I-12	R Clips	K-20	Rubber Feet	K-14
Pin & Bush Kits	I-26	Rain Caps	K-21	Rubber Mount, Bomag BW55E	I-19
Pin, ROPS	I-12	Ram Seal Kit, Dumper	I-13	Rubber Mount, Roller	I-16
Pinion, Benford CT	A-10	Rammer Foot	H-9	Rubber Mount, Wacker Plate	H-23
Pinions, HL-KM Cutting Head	L-17	Rammer S21 Steels	I-34	Rubber Mounts	K-13
Pins, Digger Bucket	I-22	Rammer Spares	H-9	Rubber, Q-Coupling	G-21
Pipe Clips, Fuel	J-32	Ramming Pad, Breaker	G-25	Runners, Seat	I-7
Piston Stop	B-23	Rear Roller, Honda HRD536	L-21	S	
Pivot Kits, Dumper	I-4	Recoil Rope	K-16	S21 (Rammer) Steels	I-34
Planer (Floor) Spares	H-30	Recoil Starter, Honda GXH50	E-4	S30 (Arrowhead) Point	I-34
Plant Filters	J-1	Recoil Starter Grip	K-16	Safety Catch, Quick Hitch	I-23
Plant Keys	K-1	Recoil Starter Makita DPC6430	D-9	Safety Helmet, Chainsaw	L-3
Plaster Mixer, Belle	A-11	Recoil Starter, Bomag Rammer	H-12	Safety Kits, Chainsaw	L-3
Plate (Vibrating) Spares	H-23	Recoil Starter, Cobra TT	G-23	Safety Pin, ROPS	I-12
Plough Bolt, Digger Tooth	I-21	Recoil Starter, Honda GX100	E-9	Safety Whip Checks	G-22
Plug Caps, NGK	K-11	Recoil Starter, Honda GX120	E-19	SB100 (Atlas Copco) Steels	I-34
Plug Wrench	K-11	Recoil Starter, Honda GX160	E-28	SB150 (Atlas Copco) Steels	I-34
Plug/Bolt Spanner	B-23	Recoil Starter, Honda GX200	E-28	SC08 (Montabert) Steels	I-34
Pneumatic Air Line Assy	G-22	Recoil Starter, Honda GX240	E-37	SC12 (Montabert) Steels	I-34
Pneumatic Air Line Oil	G-22	Recoil Starter, Honda GX270	E-37	Scabbards, Chainsaw	L-3
Pneumatic Fittings	G-21	Recoil Starter, Honda GX340	E-46	Scabblers (CP6) Spares	G-15
Point, Heavy Breaker	G-1	Recoil Starter, Honda GX390	E-46	Scabblers (Pole) Spares	G-14
Poker Spares	H-8	Recoil Starter, K750 / K760	C-8	Scarifier (Floor) Spares	H-30
Pole Scabblers Spares	G-14	Recoil Starter, Makita EK6100	D-12	Scraper Blade, Roller	I-16
Pollen Filter, JCB	I-28	Recoil Starter, Partner K650	C-2	Scraper, Floor	G-2
PolyCut Heads	L-6	Recoil Starter, Stihl TS400	B-4	SDS Breaker Steels	G-2
Polycut Strimmer Blades	L-8	Recoil Starter, Stihl TS410	B-15	Seal Kit, Dumper Brake	I-13
Polycut Strimmer Head	L-8	Recoil Starter, Stihl TS410	H-11	Sealant, Honda	E-2
Position 9 & 11 Kits	I-26	Recoil Starter, Wacker Rammer	F-15	Sealing Washers, Hydraulic	G-27
Position 9 & 11 Pins	I-22	Recoil Starter, Yanmar L100	F-6	Seat Belt Warning Kits	I-10
Power Float (MTA36) Spares	H-6	Recoil Starter, Yanmar L48	L-8	Seat Belt, Lap Type	I-5
Power Float Blades	H-7	Reduction Ring, Blade	I-29	Seat Covers	I-9
Power Float Pans	H-7	Relay, JCB	I-1	Seat Runners	I-7
Power On Demand Ram, JCB	G-28	Release Bearing, Dumper	K-12	Seats, Dumper/Digger	I-6
Power Pack Hoses	G-27	Removal Tools, Glow Plug	I-5	Service Kit, Cobra TT	G-26
Premier 100XT Spares	A-4	Retractable Seat Belt	B-13,	Service Kit, Husqvarna K750	C-12
Primer Pump, Stihl TS410	B-18	Rev Counter, Stihl	B-23	Service Kit, Husqvarna K760	C-13
PRM (Errut/Belle) Spares	H-31		I-15	Service Kit, Needle Gun	G-20
Pro Mower Spares, Honda	L-21	Reversing Alarm, Dumper	L-8	Service Kit, Partner K650	C-1
Promix Spares	A-11	Rider Cup, Universal	I-23	Service Kit, Stihl TS410	B-17
Prop Pins	K-20	Rig Mounted Breaker Pin	I-34	Service Kits, Digger	I-33
Protective Chainsaw Trousers	L-3	Rig Mounted Steels	J-24	Service Kits, Dumper	I-12
PTO Assy, Poker	H-8	Robin Filters	I-12	Service Kits, Paslode	H-43
Puller, 3 Leg	B-23	Roll Cage Safety Pins	I-6	Service Labels	K-22
Puller, Flywheel	B-23	Roller Seats	I-16	SH56 / SH86 Blower Spares	L-19
Pulley Kit, Minimix 150	A-1	Roller Spares			
Pulley, Clipper C99	H-3				

Index

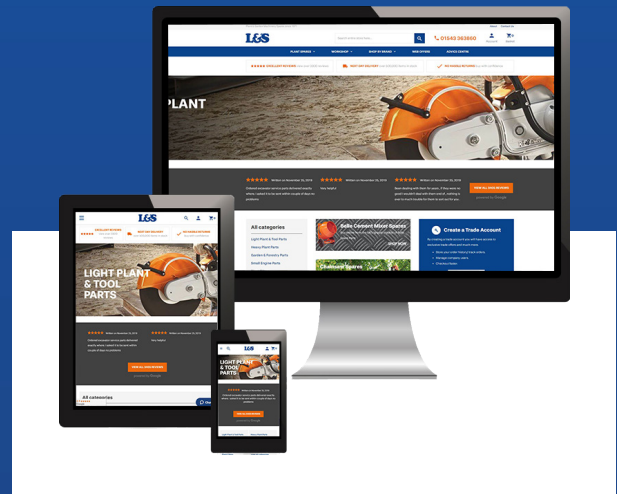
Shims, Digger Bucket	I-25	Stihl Chainsaw Helmet	L-3	Tank, Stihl TS400	B-7
Shoe, Trench Rammer	H-9	Stihl Chainsaw Spares	L-4	Tap-n-Go Trimmer Heads	L-6
Short Motor, TS410	B-14	Stihl Disc Cutter Spares	B-1	Tap, Fuel	J-32
Shredder Blade, Leaf Blower	L-19	Stihl Guide Bars	L-1	Tar Sprayer Spares	H-33
Shroud, Stihl TS400	B-4	Stihl HS81 Parts	L-11	Tarmac Cutter, Breaker	G-1
Shroud, Stihl TS410	B-17	Stihl Trimmer Heads	L-6	Taskman Water Bottle	B-22
Siamese Hose Assemblies	G-27	Stihl Trimmer Line	L-10	TB108 Alternator	I-30
Silencer, Compressed Air	G-22	Stihl TS410 Disc Cutter	B-22	TC07 (Camon) Blade	H-32
SK10 Breaker Spares	G-12	Stihlsaw Spares	B-1	Tee Key	K-8
SK12 Breaker Spares	G-13	Stop Button, Terex	I-15	Teeth, Digger Bucket	I-21
SK12 Breaker Steels	G-1	Stop Cables, Universal	K-15	Tensioner, JCB	I-28
SK8 Breaker Spares	G-11	Stop Solenoid, Dumper	I-15	Tent Peg Driving Tool	H-28
Snoopy Key	K-3	Stop Solenoid, Excavator	I-30	Terex 1-71 Roller Spares	I-17
Socket Set, Glow Plug	K-12	Stop Solenoid, Yanmar L-Series	F-16	Terex Brake Cable	I-14
Solderless Nipples	K-15	Strap Wrench, Filter	J-7	Terex CT Mixer Spares	A-10
Solenoid, Excavator	I-30	Strap, Strimmer Harness	L-8	Terex Filters	J-2
Solenoid, Yanmar L-Series	F-16	Strimmer (Stihl) Parts	L-9	Terex Isolator Switch	K-8
Spanner, Husqvarna K750 / K760	C-9	Strimmer Guard, Universal	L-8	Terex Roller Spares	I-16
Spanner, Stihl TS400	B-10	Strimmer Harness	L-8	Terex Service Kits	I-12
Spanner, Stihl TS410	B-13	Strimmer Heads	L-6	Terex Switch	K-9
Spark Plugs	K-10	Strimmer Line	L-10	Thor 16D Breaker Spares	G-8
Spark Plug Caps	K-11	Stump Grinder Spares	H-32	Thor 234 Breaker Spares	G-10
Spark Plug Tester	K-11	Subaru/Robin Filters	J-24	Thor 24 Breaker Spares	G-9
Spark Tester	K-11	Sullair SK10 Breaker Spares	G-12	Thread Repair Kits	K-11
Spicer Joints	B-23	Sullair SK12 Breaker Spares	G-13	Throttle Cable, Bomag BW55E	I-19
Spout, Chainsaw Fuel Canister	I-5	Sullair SK8 Breaker Spares	G-11	Throttle Cable, Dumper	I-14
Spray Bar, Roller	L-2	Suspension Seats	I-7	Throttle Cables, Universal	K-15
Spring Hook & Chain	I-19	Switch, 12v Push Button	K-8	Throttle Levers, Universal	K-15
Spring, Stihl HS81	K-20	Switch, Battery Isolator	K-8	Thwaites Brake Cable	I-14
Sprocket, Benford CT	L-16	Switch, Belle Promix	A-11	Thwaites Filters	J-27
Sprocket, Stihl Chainsaw	A-10	Switch, Dumper Seat	I-7	Thwaites Key	K-2
SPZ Section V Belts	A-10	Switch, JCB	I-28	Thwaites Service Kits	I-12
Square Toolbox Key	L-5	Switch, JCB	A-9	Thwaites Switch	K-9
Square Trimmer Line	K-17	Switch, Minimix 130	A-9	Thwaites Switch	K-9
Stand, Minimix 130	K-7	Switch, Minimix 150	A-1	Tines, Rotovator	H-32
Stand, Minimix 150	L-10	Switch, Stihl TS410	B-17	Tipping Links, Excavator	I-26
Starter Grip	L-10	Switches, Ignition	K-9	Toolbox Key	K-7
Starter Motor, Excavator	A-9	Swivel Adaptors, Hydraulic	G-27	Tooth, Digger Bucket	I-21
Starter Rope	A-1	Synthplus Chain Oil	L-2	Top Track Rollers	I-27
Starting Handle, Lister	K-16			Torx Spanner	B-23
Starting Handle, MBR71 Roller	I-31	T		Torx Spanner, Stihl	B-14
Starting Handles, Lister	K-16	T Handled Spanner	B-23	Tower Light Spares	H-48
Steel Bushes, Digger	I-18	T-Key	K-8	Towing Bracket, Dumper	I-5
Steel, Breaker	K-16	Tachometer, Stihl	B-13	Track Rod End Joints	I-3
Steels, Rig Mounted	I-24	Takeuchi Bucket Pins	I-23	Track Rollers	I-27
Steering Box (Marles) Spares	G-1	Takeuchi Digger Buckets	I-21	Tracks, Digger	I-27
Steering Column, Dumper	I-34	Takeuchi Filters	J-25	Tractor Seat Cover	I-9
Steering Parts, Dumper	I-2	Takeuchi Ignition Switch	I-32	Transmission, Honda HRD536	L-21
Steering Wheel, Dumper	I-2	Takeuchi Pin & Bush Kits	I-26	Trelawny Needle Gun Spares	G-16
Sticker Kit, Dumper	I-3	Takeuchi Rubber Tracks	I-27	Trelawny Pole Scabbler	G-14
Stickers, Machine Label	I-2	Takeuchi Service Kits	I-27	Trench Rammer Spares	H-9
Stihl Brushcutter Blades	I-13	Takeuchi Switch	I-33	Trestle Pins	K-20
Stihl Chain Loops	K-22	Tamper Foot, Breaker	K-9	Triad Hydraulic Oil	G-27
Stihl Chain Oil	L-7	Tamper Spares	G-25	Triangle Toolbox Key	K-7
	L-1	Tank Cap, Dumper	H-9	Trimmer (Stihl) Parts	L-9
	L-2	Tank Caps	I-13	Trimmer Guard, Universal	L-8
			K-19	Trimmer Harness	L-8

Index

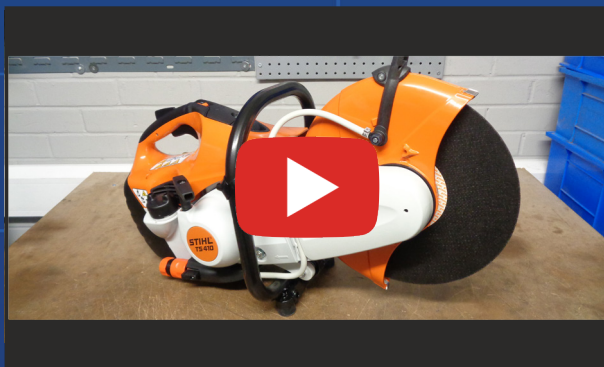
Trimmer Heads	L-6	W	Yanmar Digger Buckets	I-21
Trimmer Line	L-10		Yanmar Filters	J-29
Trowel Blades, Power Float	H-7	Wacker BS50-2 Spares	Yanmar Fuel Pump	I-30
Truck Seat	I-8	Wacker BS60-2 Spares	Yanmar L100 Spares	F-10
TS350 Spares	B-1	Wacker Carb Spares	Yanmar L48 Spares	F-1
TS360 Spares	B-1	Wacker Filters	Yanmar Replacement Engines	F-20
TS400 Spares	B-3	Wacker Foot	Yanmar Rubber Tracks	I-27
TS410 Spares	B-13	Wacker Rammer Spares	Yanmar Stop Solenoid	I-30
TS700 Spares	B-21	Wacker Vibrating Plate Spares		
Tube, Stihl Leaf Blower	L-19	Wallis Tar Sprayer Spares		
Tubmix 50 Spares	A-12	Warning Kits, Seat Belt		
Turf Cutter Blade	H-32	Warning Labels		
Two Stroke Oil, Husqvarna	C-7	Warsop Plunger		
Two Stroke Oil, Stihl	B-20, L-8	Washer Pump, JCB		
Two Stroke Test Kit	B-23	Washers, Hydraulic		
Tyre Puncture Sealant 25 litre	I-12	Water Bottle Spares, Makita		
Tyrol Gun Spares	A-12	Water Bottle, Makita		
Tyrolean Plaster Gun	A-12	Water Bottle, Non Genuine		
		Water Bottle, Stihl		
U		Water Finding Paste		
		Water Kit, Husqvarna K750		
UJ Kits	I-5	Water Kit, Husqvarna K760		
Universal Coupling Kits	I-5	Water Kit, Makita DPC		
Universal Joints	I-5	Water Kit, Stihl TS400		
Universal Strimmer Guard	L-8	Water Kit, Stihl TS410		
Universal Trimmer Heads	L-6	Water Tank Caps		
		Water Tank, Clipper C99		
V		Water Tank, Clipper CS451		
		Wedges, Floor Grinder		
V Belts	K-17	Wheel Gate Valve		
Valve, Lever Ball	G-22	Wheel Spinner, Dumper		
Valve, Wheel Gate	G-22	Wheel, Benford CT		
Van Seat Cover	I-9	Wheel, Clipper C99		
VB9 (Generac) Spares	H-51	Wheel, Clipper CS451		
Vee Belts	K-17	Wheel, Minimix 130		
Vibrating Plate Spares	H-23	Wheel, Minimix 150		
Vibrating Poker Spares	H-8	Wheel, Premier XT		
Vibrating Roller Spares	I-16	Wheel, Winget 100T		
Vibration Mounts	K-13	Wheels, Cement Mixer		
Visor, Strimmer	L-8	Whip Check Cables		
VL203 Needle Scaler	G-18, G-20	Windscreen Pump, JCB		
		Winget 100T Mixer Spares		
VL303 Needle Scaler	G-19, G-20	Winget Brake Cable		
Volvo Bucket Pins	I-23	Wire Brush, Floor Preparation		
Volvo Digger Buckets	I-21	Wooden Wedges, Floor Grinder		
Volvo Ignition Switch	I-32	Worklamp, Excavator		
Volvo Rubber Tracks	I-27	WP1030 Plate Spares		
Von Arx FR200 Spares	H-30	WP1340 Plate Spares		
VP1030 Plate Spares	H-23	WP1540 Plate Spares		
VP1135 Plate Spares	H-23	Wrench, Spark Plug		
VP1340 Plate Spares	H-23			
VS12 Dumper Seat	I-7	Y		
VT1 (Generac) Spares	H-48	Yanmar 3TN 4TN Alternator		
VT2 (Generac) Spares	H-50	Yanmar 3TN 4TN Starter Motor		
		Yanmar Bucket Pins		

L&S Online

- Latest Offers and Promotions
- Fast Delivery
- No Hassle Returns
- Excellent Reviews



www.lsengineers.co.uk



L&S How to

Subscribe to our **YouTube** Channel for New and Exclusive Content Including How to Videos!



L&S Social Media

Visit us on Facebook:

www.facebook.com/lsengineers/

Follow us on Twitter:

[@LS_Engineers](https://twitter.com/LS_Engineers)

Follow us on Instagram:

[@lsengineers](https://www.instagram.com/lsengineers)

See us on YouTube:

www.youtube.com/lsengineerstv

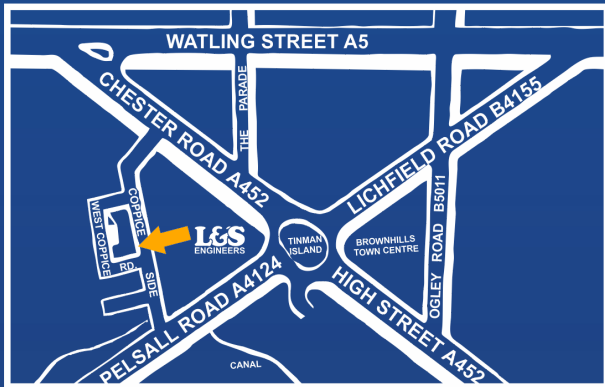


Opening Hours

Sales Office:
Monday - Friday 8.00am - 5.00pm

Click & Collect:
Monday - Friday 8.00am - 5.00pm

How to find us



Coppice Side, West Coppice Road
Brownhills Walsall
WS8 7EX

Tel. 01543 378189

sales@lsengineers.co.uk
www.lsengineers.co.uk

Carriage

2-3 DAY	UP TO 5KG	£2.25 - £3.50
NEXT DAY	UP TO 25KG	£5.30 - £6.75 (Bulky)
NEXT DAY BEFORE 10	UP TO 25KG	£16.00
NEXT DAY BEFORE 12	UP TO 25KG	£11.00
SATURDAY DELIVERY	UP TO 25KG	£20.00
OVERWEIGHT/ OVERSIZED		FROM £17.75
PALLET	POSTCODE DEPENDANT	FROM £50.00
NORTHERN ISLAND, SCOTTISH HIGHLANDS, ISLE OF MAN, ISLE OF WIGHT & ISLES OF SCILLY		
2-3 DAY	UP TO 5KG	£2.25 - £3.50
COURIER SERVICE	WEIGHT DEPENDANT	FROM £7.50
OVERWEIGHT/ OVERSIZED		FROM £21.50

VAT

All prices in this catalogue are subject to VAT

We reserve the right to increase prices without prior notice.

Replacement spares in this catalogue are not genuine parts except where specified.
Manufacturers names, part numbers and descriptions are used for reference only.

L&S Engineers will endeavour to meet delivery date quoted but delivery dates are given and intended as an estimate only and if there are any circumstances whatsoever which prevent delay or delivery, L&S Engineers shall not be liable for any consequential loss or damage.



L&S ENGINEERS

L&S Engineers Ltd, Coppice Side, West Coppice Road
Brownhills, Walsall, WS8 7EX

www.lsendengineers.co.uk

Telephone: 01543 378189

sales@lsendengineers.co.uk

